



Item #1003912913
Model #70220HWVR
Item #1003913033
Model #70221HWVR

USE AND CARE GUIDE

24 IN. VERTICAL RAIL
48 IN. VERTICAL RAIL

Questions, problems, missing parts?
Before returning to the store, call
Husky Customer Service
8 a.m. - 7 p.m., EST, Monday - Friday
9 a.m. - 6 p.m., EST, Saturday

1-888-HD-HUSKY

HUSKYTOOLS.COM



THANK YOU

We appreciate the trust and confidence you have placed in Husky through the purchase of this vertical rail. We strive to continually create quality products designed to enhance your home. Visit us online to see our full line of products available for your home improvement needs. Thank you for choosing Husky!


Table of Contents

Table of Contents	2	Installation: 24 IN. & 48 IN. Vertical Rails	5
Safety Information	2	Tips for Installing Vertical Rails Into Studs	6
Warranty	2	Tips for Installing Vertical Rails Into Drywall	8
Pre-Installation	3	Tips for Installing Anchor Bolt Hardware Into Drywall	10
Sizes: 24 IN. & 48 IN. Vertical Rails	4		

Safety Information

- All vertical rails should be screwed directly into studs where applicable.
- For applications where the vertical rails are NOT directly over the studs, metal anchors with screws are provided and must be used to fasten directly to the drywall.
- Take care to not over tighten screws (CC) as it might deform the rails preventing accessories from fitting properly (see installation step 1b on page 5).

 **CAUTION:** Do not over tighten screws as it might deform the Husky Rails preventing accessories from fitting properly.

 **WARNING:** 200 lb. load rating per Vertical Rail requires that each rail be fastened to the studs and drywall using screws and anchor bolts provided.

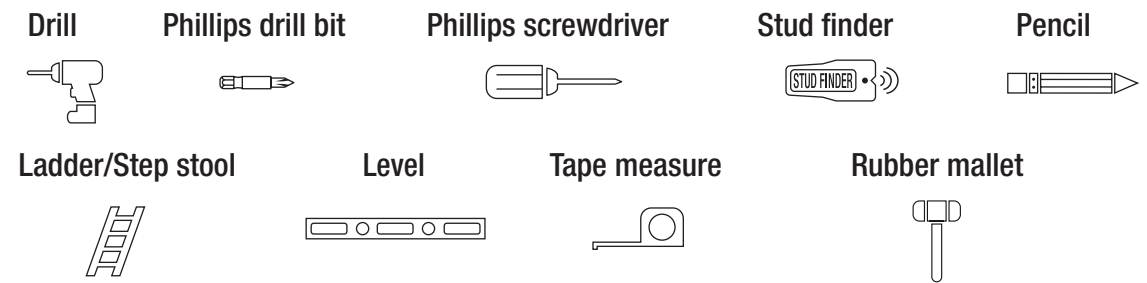
Warranty

LIFETIME WARRANTY

If your Husky product ever fails, bring it back and we will replace it free. This full warranty gives you specific rights, and you may also have other rights, which vary state to state. For details, visit your nearby store or call 1-888-HD-HUSKY.

Pre-Installation

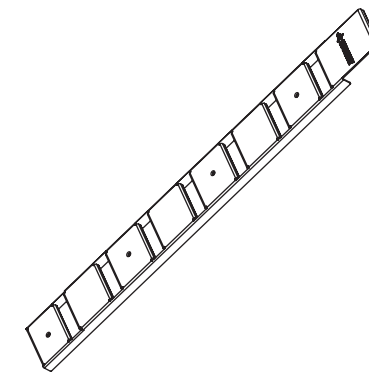
TOOLS REQUIRED



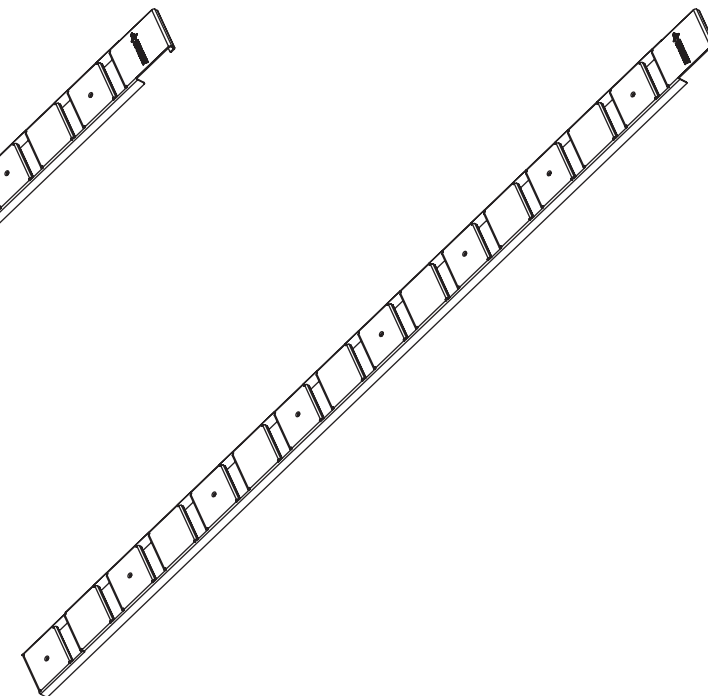
INSTALLATION HARDWARE INCLUDED FOR: 24 IN. VERTICAL RAIL & 48 IN. VERTICAL RAIL

COMPATIBLE WITH: HUSKY TRACK, HUSKY STANDARD SHELF BRACKET & HUSKY SHELF BRACKET FOR TOTE

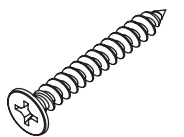
(AA) 24 IN. Vertical Rail



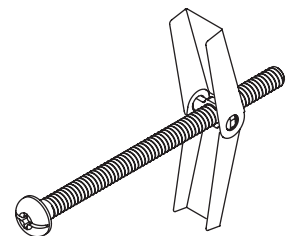
(BB) 48 IN. Vertical Rail



(CC) Screws

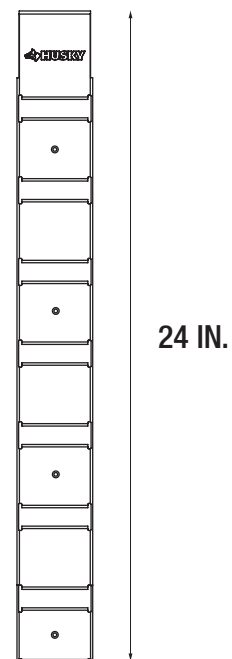


(DD) Drywall Anchors

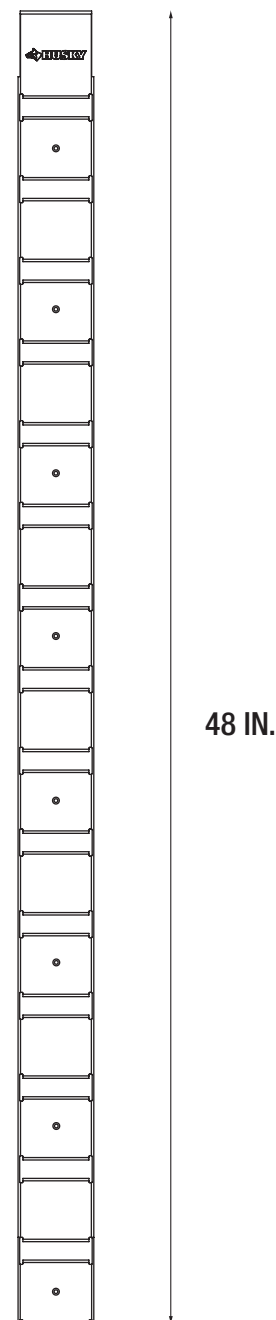


Part	Description	Quantity
AA	24 IN. Vertical Rail	X1
BB	48 IN. Vertical Rail	X1
CC	Screws (for 24 IN. Vertical Rail)	X4
CC	Screws (for 48 IN. Vertical Rail)	X8
DD	Drywall Anchors (for 24 IN. Vertical Rail)	X4
DD	Drywall Anchors (for 48 IN. Vertical Rail)	X5

24 IN. VERTICAL RAIL

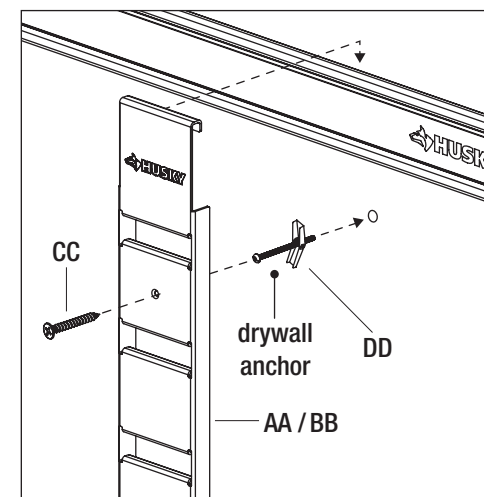


48 IN. VERTICAL RAIL



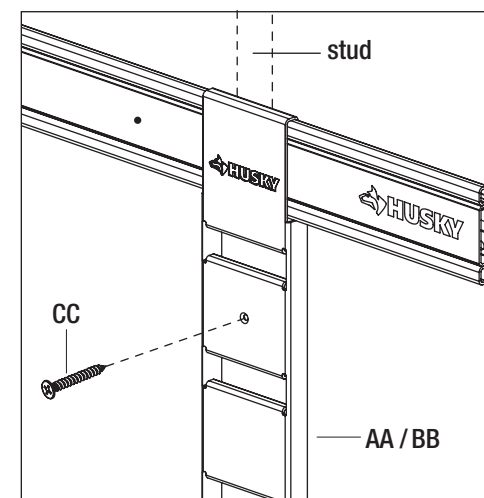
1a Installing the Vertical Rail

- Secure the Vertical Rail (AA/BB) with screws (CC) provided and drywall anchors (DD) for light weighted items.
- Position the Vertical Rail (AA/BB) at the desired position on the Track.



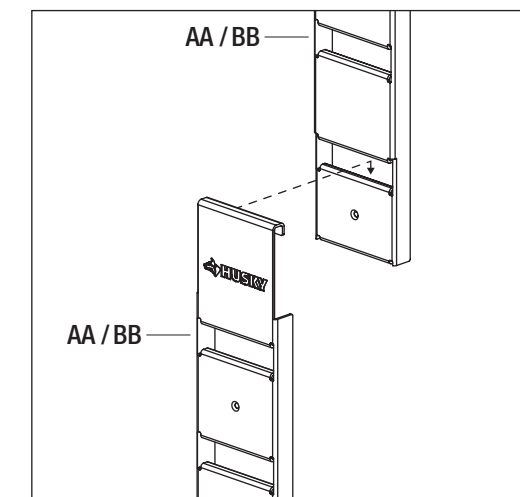
1b Installing Rail into Stud

- Secure fasteners to studs. (Do not over tighten screws (CC) as it might deform the rail preventing accessories from fitting properly).



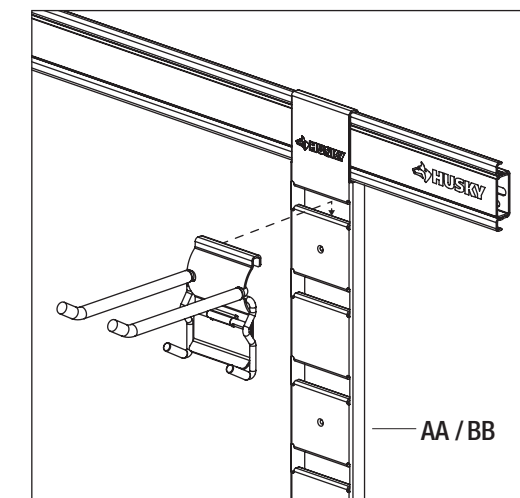
2 Expanding the Rails

- Expand the height needed for your installation by adding additional Rails to the bottom of a previously-installed Vertical Rail (AA/BB).



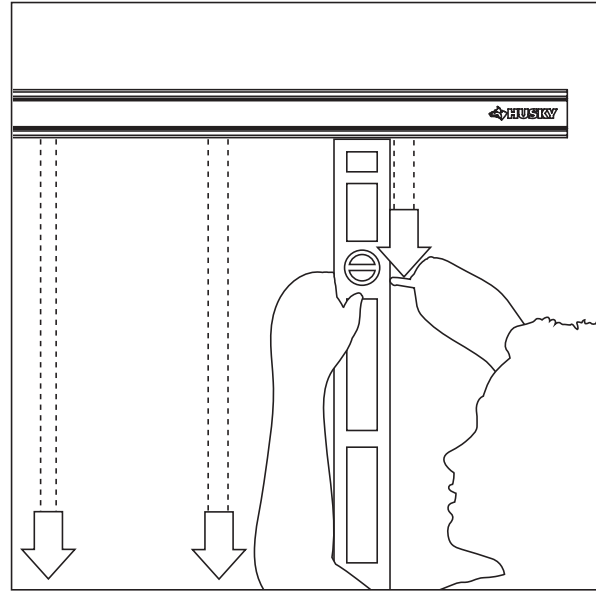
3 Completing the Installation

- Attach a variety of hooks and other accessories to the Rails based on your needs.



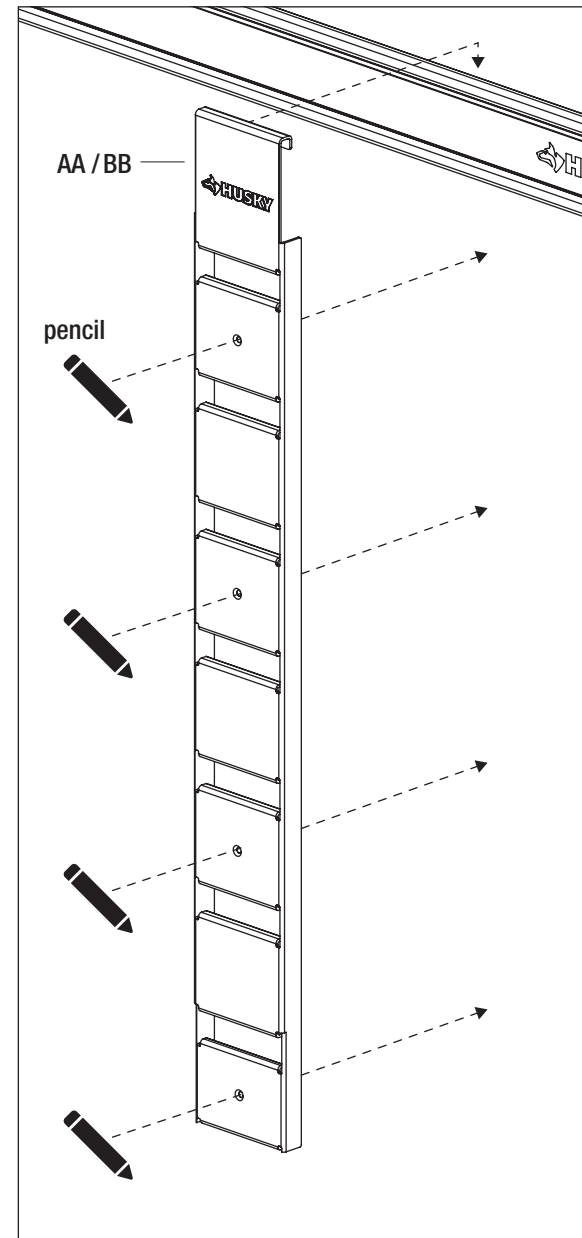
1a Locating Studs

- During the installation of your HuskyTrack you should have located and marked all stud locations.
- Use a level and draw lines for locating the studs.



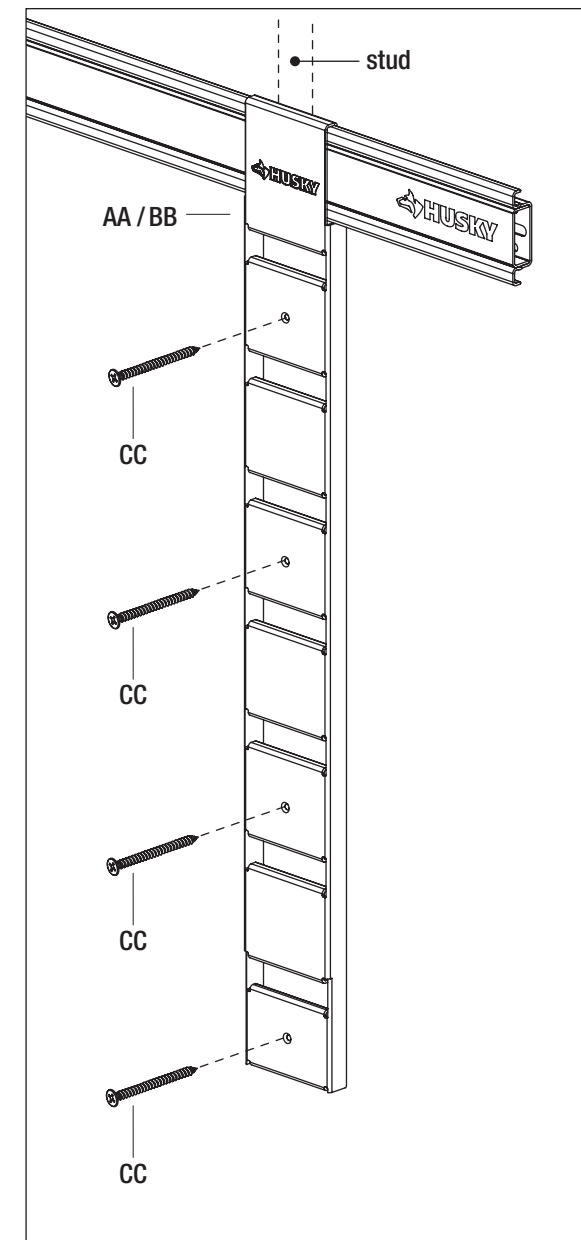
1b Locating Studs—Marking Holes for Screws

- Attach the Vertical Rail (AA/BB) to the Husky Track making sure to center the holes over the line drawn.
- Mark the holes for drilling.



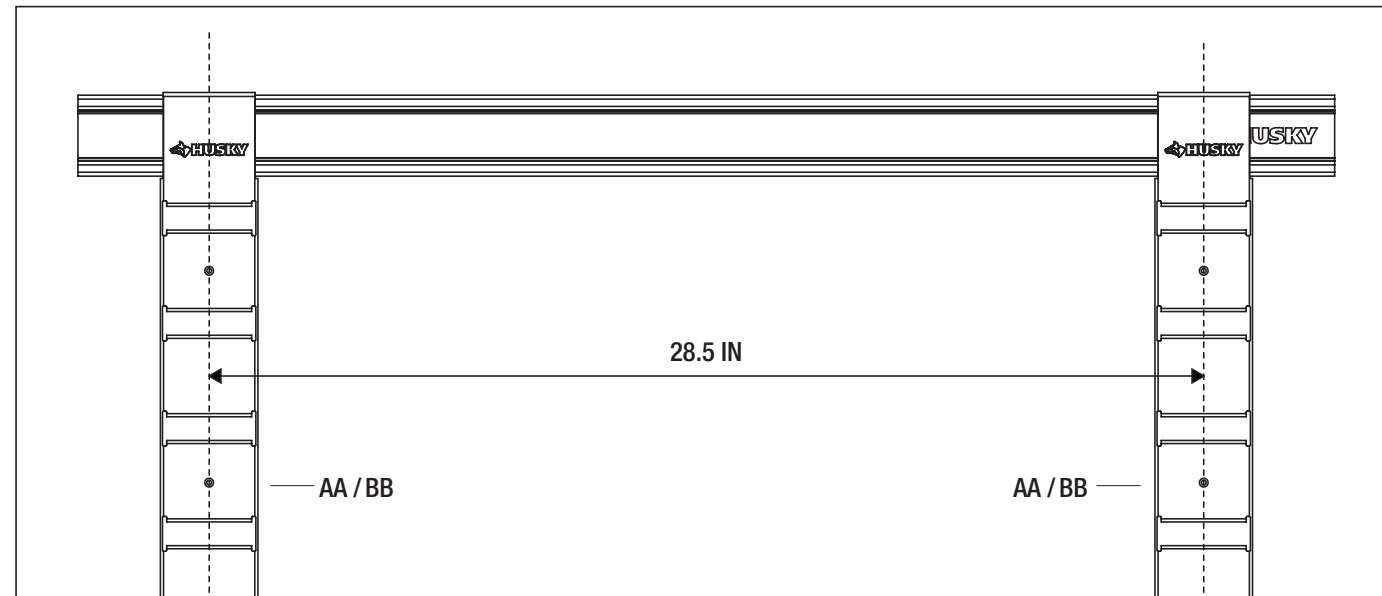
1c Installing Vertical Rail into Studs

- Use screws (CC) provided to attach Vertical Rails (AA/BB) to the studs.



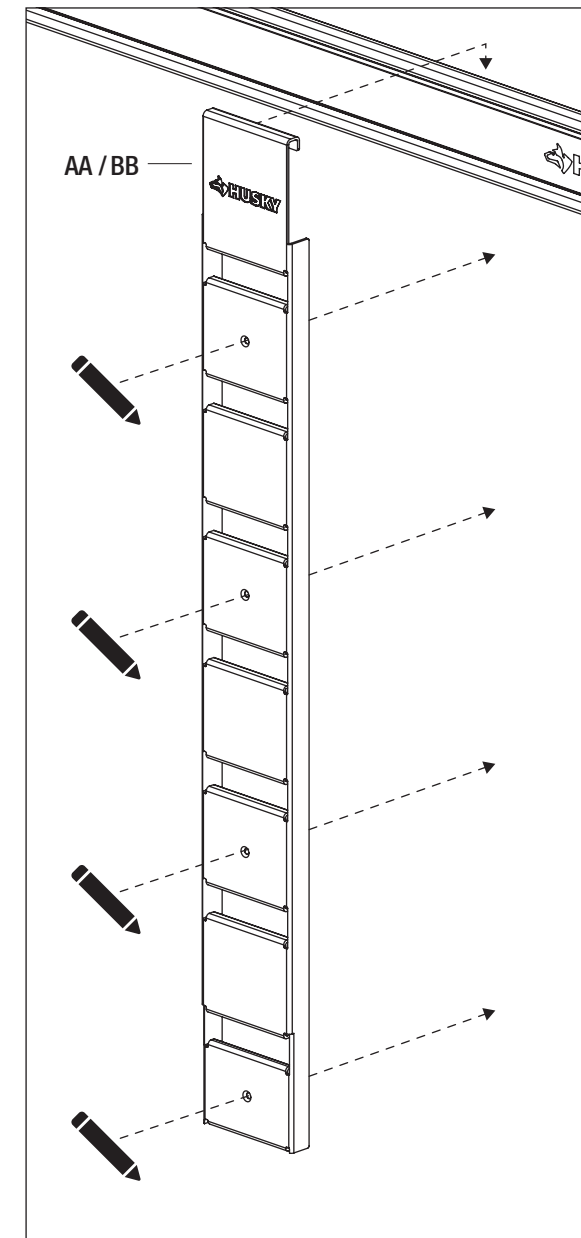
1a Locating Vertical Rails

- If you are installing Husky Wire shelves, the Vertical Rails (AA/BB) must be spaced 28.5 IN apart.



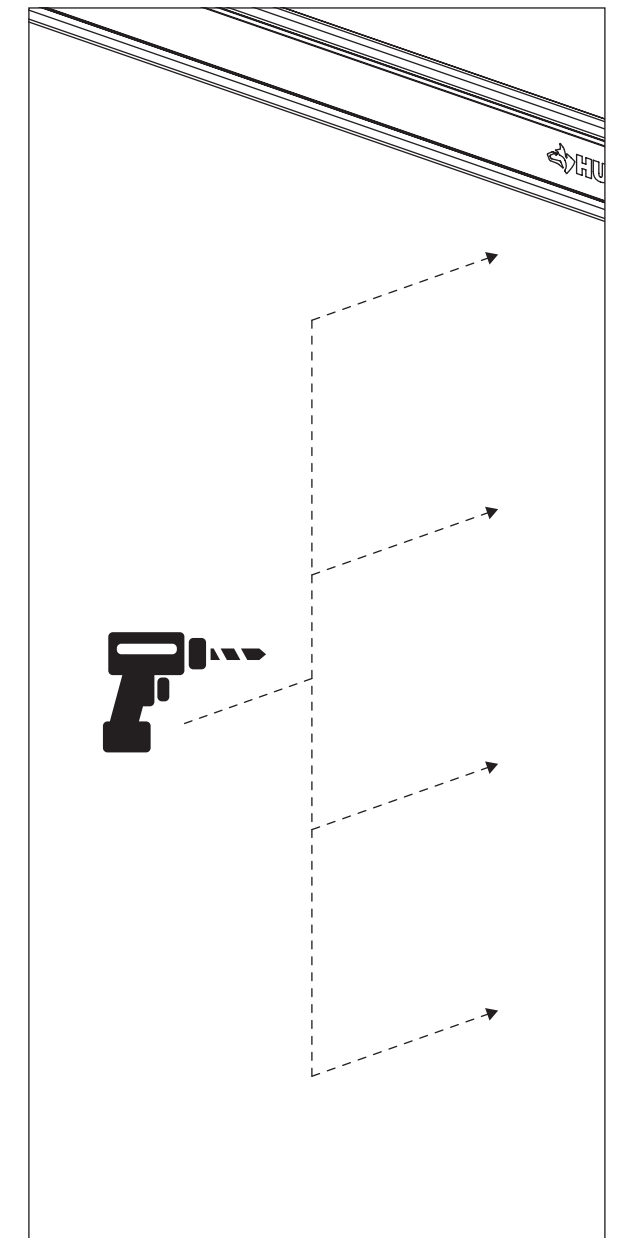
1b Locating Holes for Anchor Bolts

- Once you have properly located the desired position of the Vertical Rails (AA/BB) mark the holes with a pencil for drilling.



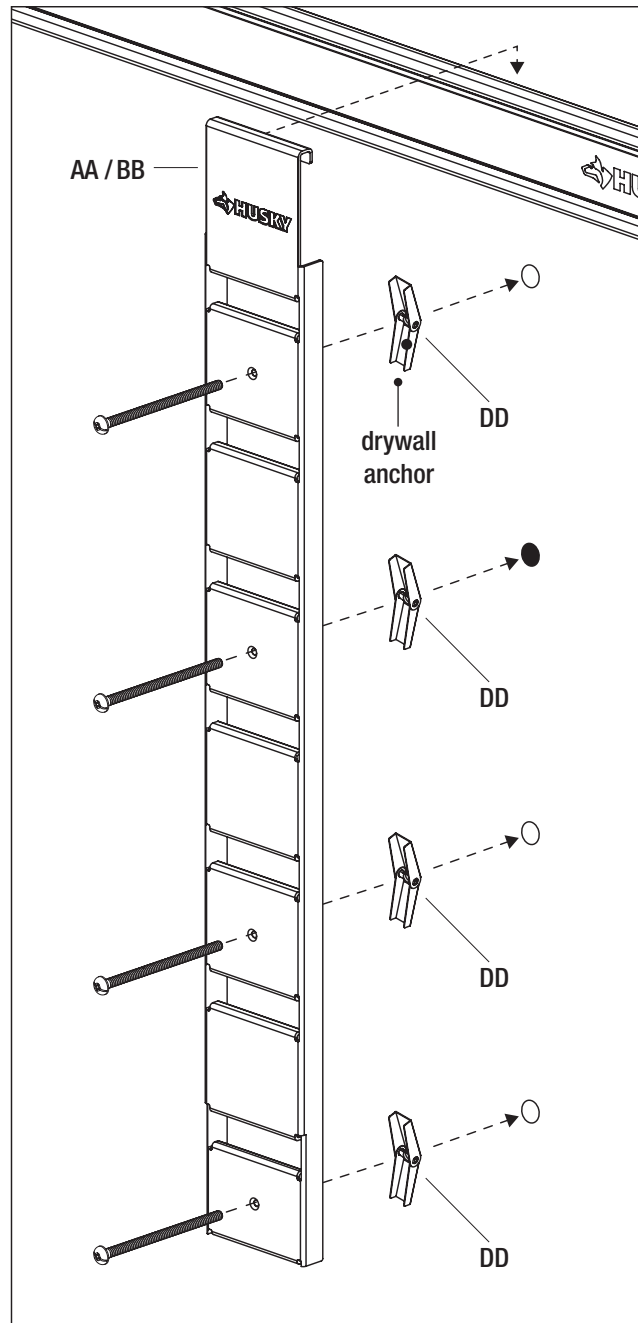
1c Drilling Holes for Anchor Bolts

- Pre-Drill holes through the drywall making sure to drill a hole large enough for the drywall anchor flaps to fit through each hole.



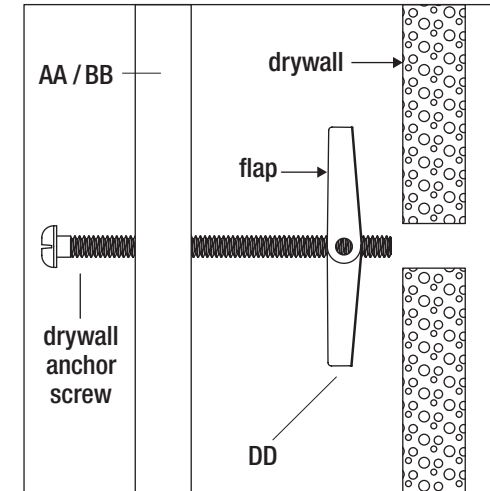
1a Attaching Vertical Rails to Drywall

- Make sure you use all anchor bolt hardware for each hole position for maximum load factor.
- Hook the top of the Vertical Rail (AA/BB) onto Husky Track and push drywall anchors (DD) into each predrilled hole.



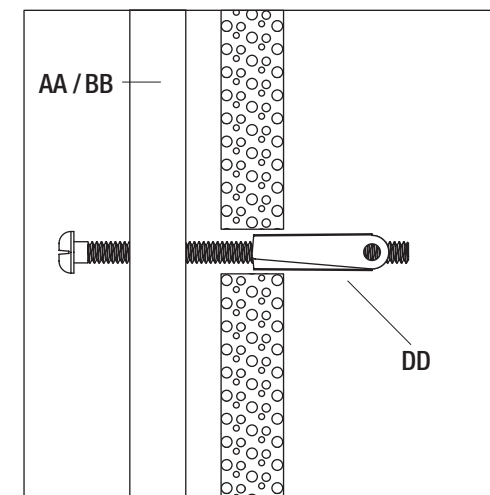
1b Locating Holes for Anchor Bolts

- Once you have properly located the desired position of the Vertical Rails (AA/BB) position each anchor bolt (DD) as shown.



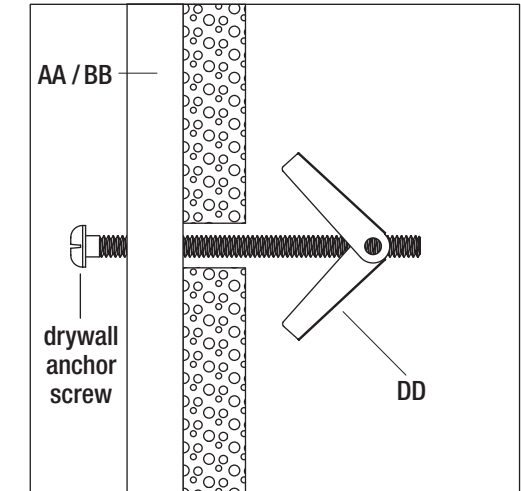
1c Installing Anchor Bolts

- Push the drywall anchor (DD) through the pre-drilled hole as shown.



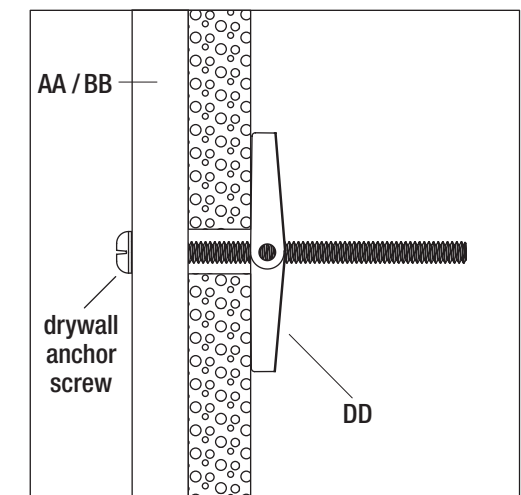
1d Installing Anchor Bolts

- Make sure the drywall anchor bolt flaps (DD) expand on the other side of the drywall as shown.



1e Installing Anchor Bolts

- Tighten drywall anchor (DD) bolts until Vertical Rail (AA/BB) is firmly attached to the wall.
- Take care to not over-tighten bolts.





Questions, problems, missing parts? Before returning to the store,
call Husky Customer Service
8 a.m. - 7 p.m., EST, Monday-Friday, 9 a.m. - 6 p.m., EST, Saturday

1-888-HD-HUSKY

HUSKYTOOLS.COM

Retain this manual for future use.