

FAUCET SPECIFICATIONS

VIGO

Wall Mount Bathroom Faucet
Model VG05002

MODEL VG05002

FEATURES

- Solid brass construction
- Brass cartridges
- Dual lever faucet
- Wall mount installation
- Finish resist corrosion and tarnishing

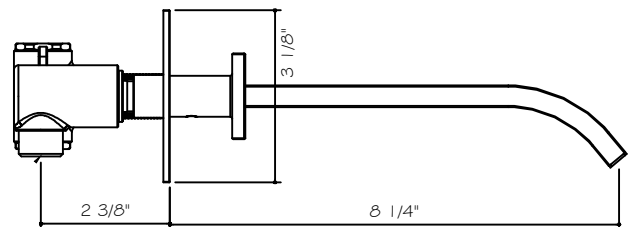
PACKING LIST

- Faucet Assembly
- Allen Key
- Spout
- Front cover
- Handles
- Handle covers

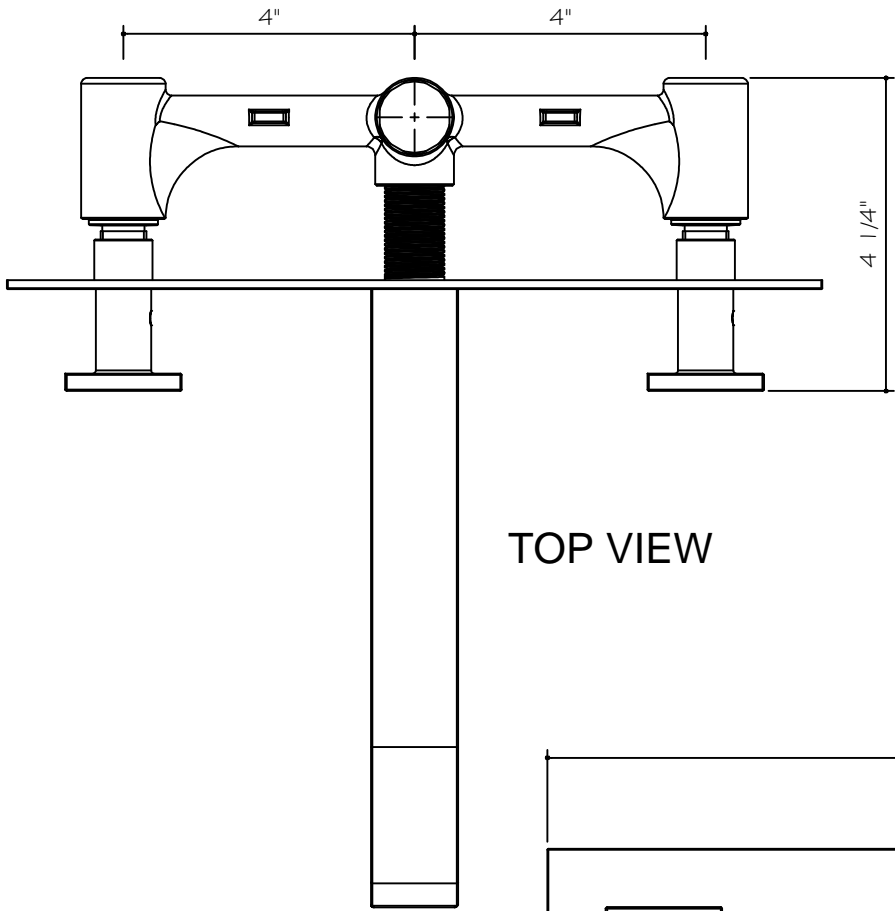


DIMENSIONS

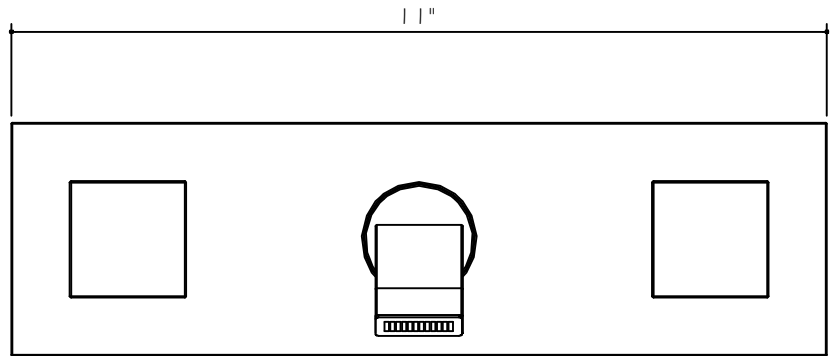
MODEL #	FAUCET HEIGHT	SPOUT REACH
VG05002	3 1/8"	8 1/4"



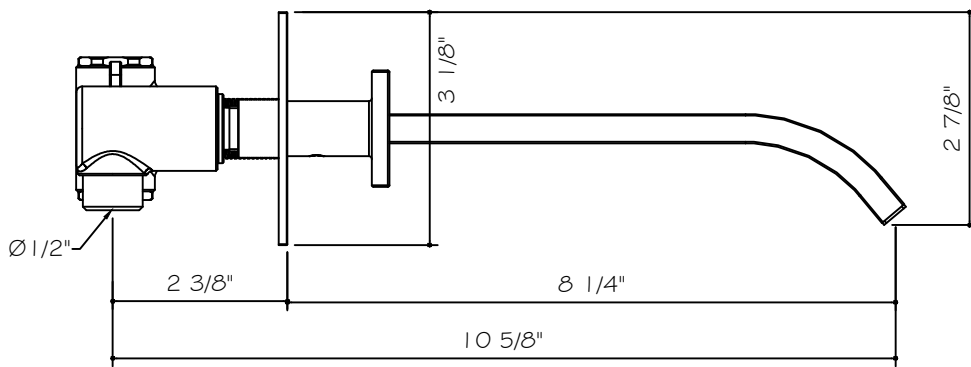
NOTE: All faucets are compliant to CEC 2016 regulations. If you have inquiries about your water flow, please email techmail@vigoindustries.com.



TOP VIEW



FRONT VIEW



SIDE VIEW

VG05002

THE MEASUREMENTS IN INCHES ARE ROUNDED TO THE NEAREST 1/8"

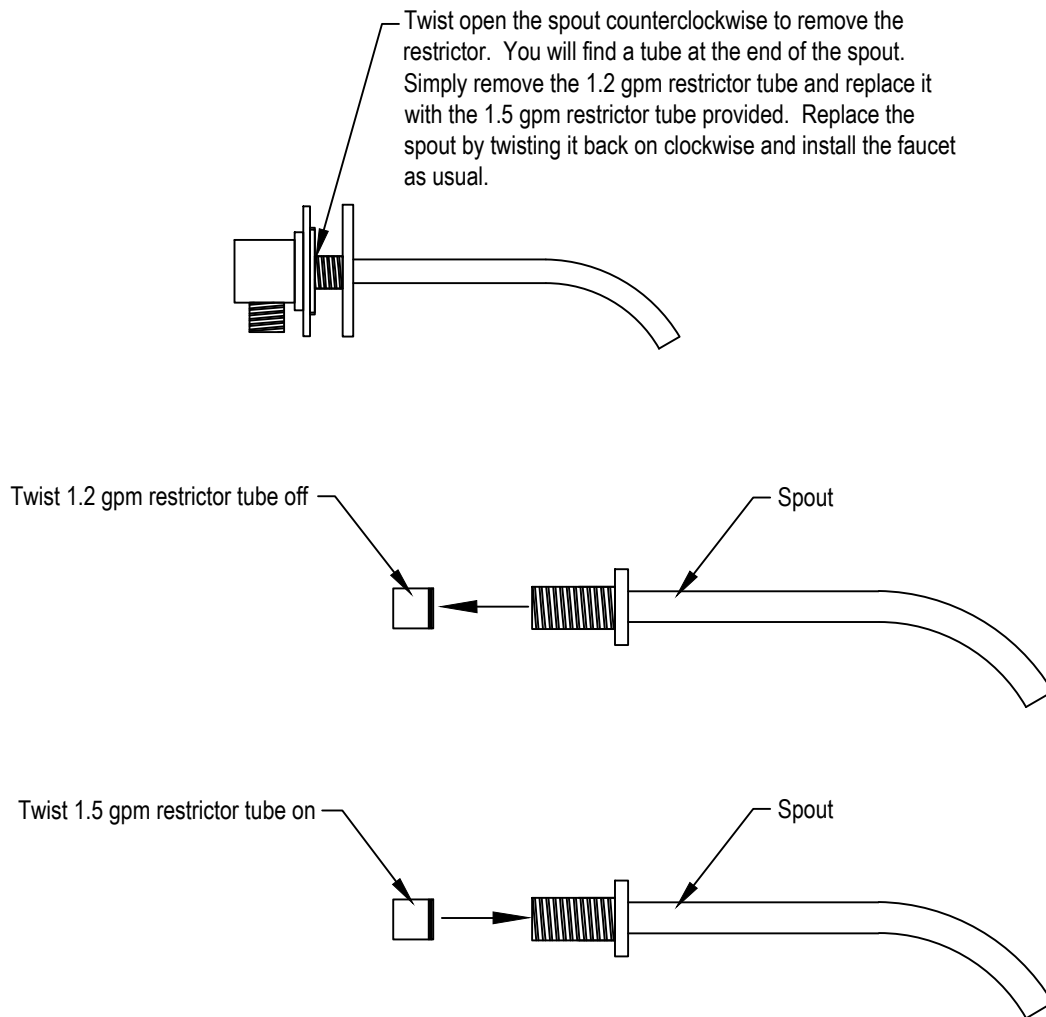
FLOW RATE REGULATIONS

VIGO

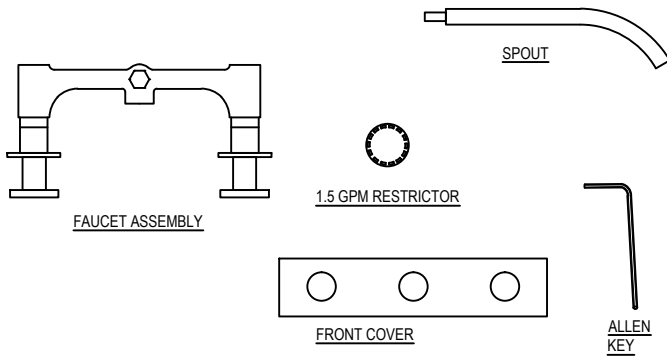
This product meets the CEC requirements. It is up to the discretion of the client to modify the product with the provided restrictor. Doing so will remove the ability for the product to meet certain low flow standards. Please talk to your local or statewide plumbing enforcement agency prior to modifying. Vigo is not responsible for any alterations and the affects that may come with altering the product post sale and highly advises that the client only install the product that meets the needs of their local plumbing code.

Flow rate with installed restrictor - 1.2 gpm

Flow rate with restrictor provided in box - 1.5 gpm



PACKAGE CONTENTS



MAINTENANCE

Your new faucet is designed for years of trouble-free performance. Keep it looking new by cleaning it periodically with a soft cloth. Avoid abrasive cleaners, steel wool and harsh chemicals as these will scratch, dull, and/or damage the finish and/or product void your warranty.

REQUIRED TOOLS

Adjustable wrench
Groove joint pliers
Plumber's putty
Pipe tape
Phillips and flat screwdrivers

SAFETY TIPS

Be sure to shut off water supply prior to installation.
Protect your eyes with safety glasses when cutting or soldering water supply lines
Cover your drain to avoid losing parts.

IMPORTANT POINTS

Prior to beginning installation, turn off the cold and hot water lines and open the hot and cold knobs on the old faucet to release build-up pressure. When installing your new faucet, turn the connector nuts finger-tight, then use one wrench to anchor the fitting and a second wrench to tighten the nut one additional turn. Connections that are too tight will reduce the integrity of the system. Wrap all threaded connections with Teflon tape available at your local hardware or plumbing supply store. Always wrap in a clockwise direction. All installations can vary depending on how your previous faucet was installed. Not all necessary supplies to install your faucet are included, however, they are available wherever plumbing supplies are sold.

INSTALLATION

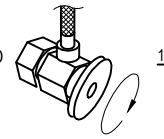
Installation must be done by a qualified licensed plumber.

Prior to installation please read the instructions thoroughly, confirm that all parts are included and visually inspect the unit for any defects. If you have any questions please contact the Vigo Technical Support Department before proceeding with installation.

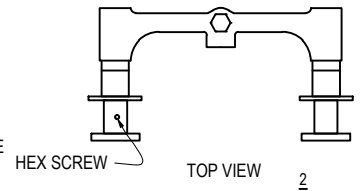
ASSEMBLY

NOTE: INSTALLATION MUST BE DONE BY A QUALIFIED, LICENSED PLUMBER.

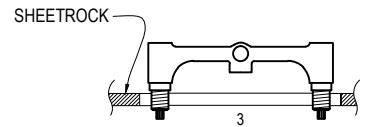
1. SHUT OFF WATER SUPPLY. REMOVE THE OLD FAUCET AND FLEXIBLE HOSES. CLEAN SINK SURFACE IN PREPARATION FOR THE NEW FAUCET.



2. UNSCREW HEX SCREW FROM THE FAUCET BASE. REMOVE HANDLE AND HANDLE COVER FROM THE FAUCET.

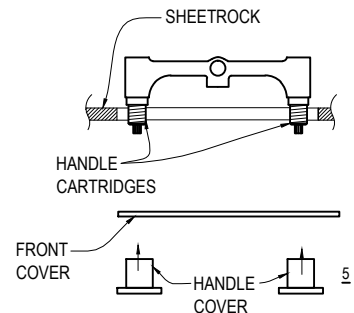


3. SECURE THE FAUCET BASE TO THE COLD AND HOT WATER PIPE LINES.



4. **IT IS IMPERATIVE THAT THE LICENSED CONTRACTOR MEASURE THE THICKNESS OF THE SHEETROCK USED, TILE USED AND ADDED ACCENTS TO MAKE SURE THAT WHEN THE WALL IS FULLY CLOSED THAT THE HOT AND COLD CONTROLS ARE SET TO THE CORRECT DEPTH IN THE WALL TO FUNCTION UP TO THE DESIRED NEEDS.**

5. CLOSE THE WALL WITH THE SHEETROCK AND CERAMIC TILES AROUND EXPOSED HANDLE CARTRIDGES LEAVING ENOUGH SPACE TO THREAD THE HANDLE COVERS INTO PLACE. PLACE THE FRONT COVER TO THE FAUCET BASE AND THREAD ON THE HANDLE COVERS UNTIL SECURE.



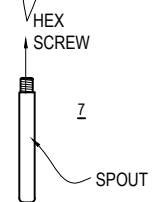
6. PLACE HANDLES TO THE FAUCET AND TIGHTEN THE HEX SCREWS.



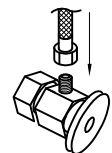
NOTE: THERE ARE TWO SETS OF HEX SCREWS, ONE SET TO ADJUST THE HANDLE TO MAKE SURE IT SITS HORIZONTALLY LEVEL AND ONE SET TO SECURE THE HANDLES TO THE BODY.



7. SCREW THE SPOUT TO THE FAUCET. YOU MAY CHOOSE TO USE PIPE TAPE.



8. PLACE COLD AND HOT WATER HANDLES TO THE FAUCET AND TIGHTEN THE HEX SCREW.



9. AFTER INSTALLATION IS COMPLETE, TURN ON THE WATER SUPPLY VALVES AND ALLOW BOTH HOT AND COLD WATER TO RUN AT LEAST ONE MINUTE EACH. WHILE WATER IS RUNNING, CHECK FOR LEAKS, ESPECIALLY AT HOOK-UPS TO SUPPLY LINES. TIGHTENING NUTS SLIGHTLY WILL STOP ANY MINOR LEAKS.

TROUBLESHOOTING

PROBLEM	POTENTIAL CAUSE	CORRECTIVE ACTION
1 - Leaks from handle	1.A - Cartridge unseated	1.A - Remove cartridge from housing, wash thoroughly with hot water and reseal in housing.
2 - Insufficient flow rate	1.B - Cartridge defective	1.B - Contact Vigo Technical Support for replacement.
3 - Leak at connection points	2.A - Dirty aerator	2.A - Remove aerator and soak / clean with a non abrasive agent (i.e. half hot water and half vinegar).
4 - Loose faucet body	2.B - Clog in supply hose / line	2.B - Remove supply lines and flush lines.
5 - Loose handle	2.C - Clog in copper supply pins	2.C - Remove copper pins and flush/clean out.
	3.A - Flexible hose leaking at connection point	3.A - Tighten hoses. If this does not resolve the issue, remove the flexible hose and rethread, checking to make sure the connection is secure. Make sure to use pipe tape.
	3.B - Washer defective	
	4 - Mounting hardware became loose	4 - From under the counter, use an adjustable wrench and tighten the mounting hardware. Make sure the faucet is perpendicular to the counter.
	5 - Set screw has become loose	5 - Take off hot/cold cover on handle. This will give you access to the screw that connects the handle to the cartridge. Using either an allen key or a flat head screw driver, tighten the screw so handle has firm connection to cartridge.

PARTS LIST - For any parts needed but not shown, please contact Vigo Technical Support

PART	PART #	FINISH	SUPPLY DATE INDICATOR (INTERNAL USE ONLY)
Handle	68076	CH,BN,ARB	W
Handle Set Screw	68077	-	W
Spout	68078	CH,BN,ARB	W
Plate	68079	CH,BN,ARB	W
Hot Cartridge	68075	-	W
Cold Cartridge	68074	-	W
Aerator	64028	-	W
Valve Housing	68091	-	W

TOLL FREE: (866) 591 - 7792

E-Mail: techmail@vigoindustries.com

www.vigoindustries.com



VIGO INDUSTRIES, LLC ("VIGO") FAUCET LIMITED LIFETIME WARRANTY

EFFECTIVE APRIL 1, 2013

VIGO offers the following limited warranty on each of its Faucet products (the "Product") and the components thereof. This warranty extends only to the original owner for personal household use. For commercial uses, additional limitations apply.

VIGO warrants the structure of the Product to be free from defects in workmanship and materials under normal use and service for the period commencing from the initial date of purchase by the owner, contractor, or builder, from VIGO or an authorized VIGO dealer, through the lifetime of the original owner or end-user.

VIGO warrants the cartridge component of the Product to be free from defects in workmanship and materials under normal use and service for a period of five (5) years from the initial date of purchase by the owner, contractor, or builder, from VIGO or an authorized VIGO dealer.

VIGO warrants the spray assembly and other mechanical components of the Product to be free from defects in workmanship and materials under normal use and service for a period of one (1) year from the initial date of purchase by the owner, contractor, or builder, from VIGO or an authorized VIGO dealer.

Subject to the Warranty Service provision below, any product reported to the authorized dealer or to VIGO as being defective within the warranty period will be repaired or replaced (with a product of equal value) at the option of VIGO. This warranty extends to the original owner and is not transferable to a subsequent owner.

Neither the distributor, authorized VIGO dealer, nor any other person has been authorized to make any affirmation, representation, or warranty other than those contained in this warranty. Any affirmation, representation, or warranty other than those contained in this warranty shall not be enforceable against VIGO or any other person.

VIGO reserves the right to modify this warranty at any time, it being understood that such modifications will not alter the warranty conditions applicable at the time of sale of the products in question.

Limitations

This warranty shall not apply to instances of incorrect operating procedures, breakages, or damages caused by fault through improper installation, carelessness, abuse, misuse, misapplication, improper maintenance, or alteration of the Product, as well as chemical or natural corrosion, accident, fire, flood, an act of God, or any other casualty. Avoid abrasive cleaners, steel wools, and harsh chemicals as these will scratch, damage, and / or dull the product and / or finish and void this warranty. The owner of the Product covered by the present warranty is entirely responsible for its proper installation and any applicable plumbing or electrical wiring. VIGO neither installs nor supervises the installation nor hires a contractor for this purpose; consequently, VIGO cannot be held responsible for any default, breakage, or damages caused thereby or resulting thereof, either directly or indirectly.

The owner must provide access to the components of the Product as described in the installation guide so that VIGO can execute the warranty specified herein. If such access is not available, all expenses to provide said access will be the responsibility of the owner.

This warranty does not apply to Products that have not been installed or operated in accordance with instructions supplied by VIGO and all applicable rules, regulations, and legislation pertaining to such installations.

This warranty does not apply unless the VIGO Product is installed by fully insured licensed professionals. VIGO strongly recommends that such licensed professionals have experience in the installation of bathroom and kitchen products. [Installation of certain products, including without limitation glass products (i.e., shower doors and glass sinks) by an inexperienced person may result in product failure including, but not limited to, glass breakage which could result in personal injury or death.]

VIGO is not liable for personal injuries or deaths to any persons or for any direct, special, incidental, or consequential damage, loss of time, loss of profits, inconvenience, incidental expenses, labor or material charges, or any other costs resulting from the use of the product or equipment or pertaining to the application of the present warranty, or resulting from the removal or replacement of any product or element or part covered by this warranty.

EXCEPT AS OTHERWISE PROVIDED ABOVE, VIGO MAKES NO WARRANTIES, EXPRESSED OR IMPLIED, INCLUDING WARRANTIES OF MERCHANTABILITY AND FITNESS FOR A PARTICULAR PURPOSE OR COMPLIANCE WITH ANY CODE.

In any case, VIGO cannot be held liable for any amount over and above the purchase price paid for the Product by the owner/end-user, contractor, or builder.

Commercial Limitations

In addition to the above conditions and limitations, the warranty period for products installed for commercial applications or used in commercial ventures is one (1) year from the initial date of purchase by the owner, contractor, or builder from an authorized dealer. VIGO is not responsible for loss of use or profit under any circumstances. If the product is used as a display, the warranty period begins from the date of purchase. This warranty gives the owner specific legal rights. The owner may also have other rights which can vary from one state or province to another.

Warranty Service

In order to obtain service provided under this warranty during regular business hours, contact the dealer or distributor who sold the unit, or contact VIGO directly. VIGO will provide the warranty service described above when the following conditions have been met: the failure is of the nature or type covered by the warranty; the user has informed an authorized VIGO Agent or VIGO's warranty service department representative of the nature of the problem during the warranty period; conclusive evidence (e.g., proof of purchase or installation) is provided to the foregoing by the user proving that the failure occurred or was discovered within the warranty period; an authorized independent service person or company representative has been permitted to inspect the product during regular business hours within a reasonable time after the problem was reported by the user. VIGO's warranty obligation shall be discharged upon tender of replacement or repair. The customer's refusal to accept the tender terminates VIGO's warranty obligations.

Certification may be ended by VIGO or certification agencies without notice.

SPÉCIFICATIONS DU ROBINET

VIGO

Robinet de salle de bain à fixation murale
Modèle VG05002

Modèle VG05002

CARACTÉRISTIQUES

- Construction en laiton résistante
- Cartouche en laiton
- Robinet à levier double
- Installation murale et en angle
- Fini résistant à la corrosion et au ternissement

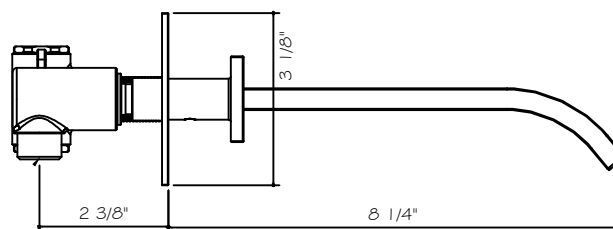
LISTE DES ARTICLES

- Ensemble de robinet
- Clé à six pans
- Jet
- Cache avant
- Poignées
- Poignée de couverture

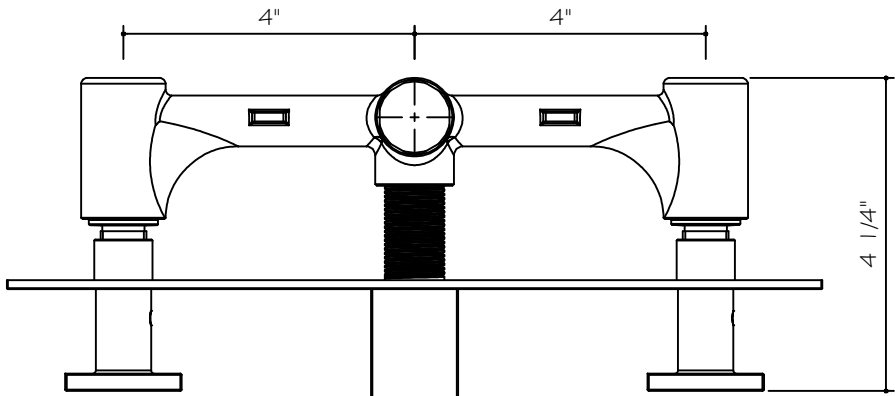


DIMENSIONS

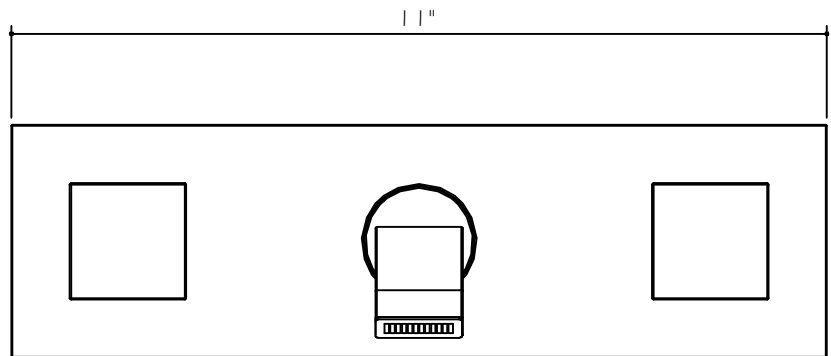
N° DE MODÈLE	HAUTEUR DU ROBINET	PORTÉE DU JET
VG05002	3 1/8"	8 1/4"



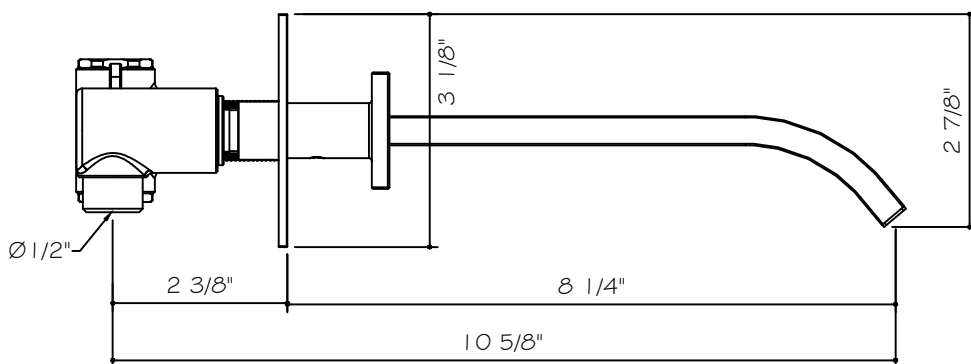
REMARQUE: Tous les robinets sont conformes aux règlements de la CEC de 2016. Si vous avez des questions au sujet de votre débit d'eau, s'il vous plaît écrivez-techmail@vigoindustries.com.



VUE DE DESSUS



VUE DE FACE



VUE DE CÔTÉ

VG05002

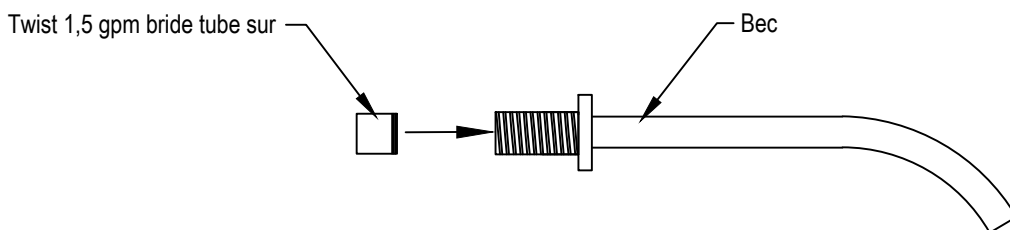
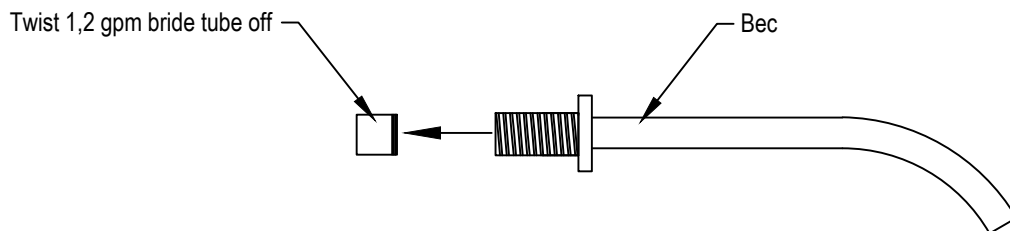
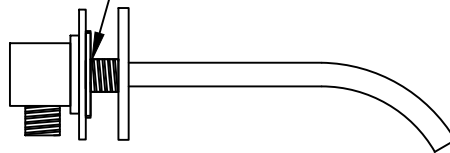
LES MESURES EN POUCHES SON ARRONDIES AU 8ÈME DE POUCE LE PLUS PROCHE

Ce produit répond aux exigences de la CEC. Il est à la discrétion du client de modifier le produit avec le restricteur fourni. Cela permettra d'éliminer la capacité du produit à répondre à certaines normes de faible débit. S'il vous plaît parlez à votre organisme d'application de la plomberie locale ou échelle de l'État avant de modifier. Vigo est pas responsable des modifications et de la touche qui peut venir avec la modification du poste de vente de produits et conseille que le client n'installe le produit qui répond aux besoins de leur code de plomberie local hautement.

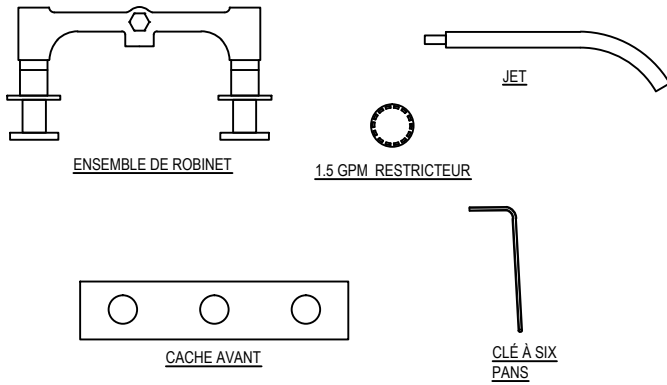
Débit avec limiteur de débit installé - 1.2 gpm

Débit avec étranglement prévu dans la boîte - 1.5 gpm

Tournez le bec vers la gauche pour retirer la bride. Vous trouverez un tube à l'extrémité du bec. Il suffit de retirer le tube de réducteur 1,2 GPM et de le remplacer par le tube de réducteur 1,5 GPM fourni. Remplacez le bec en le retournant dans le sens des aiguilles d'une montre et installez le robinet comme d'habitude.



CONTENU DE L'EMBALLAGE



ENTRETIEN

Votre nouveau robinet a été conçu pour durer des années, sans incident. Protégez son éclat en le nettoyant régulièrement à l'aide d'un chiffon doux. Les nettoyants abrasifs, la laine d'acier et les produits chimiques puissants peuvent érafler, ternir et/ou endommager le fini et/ou le produit et entraîner l'annulation de la présente garantie.

OUTILS NÉCESSAIRES

Clé à molette
Pince multiple
Mastic de plombier
Ruban pour tuyau
Tournevis cruciforme et à tête plate

MESURES DE PRÉCAUTION

Veillez à couper l'arrivée d'eau avant de procéder à l'installation. Protégez-vous les yeux à l'aide de lunettes de sécurité lorsque vous coupez ou soudez des conduites d'arrivée d'eau. Couvrez votre drain pour éviter de perdre des pièces.

POINTS IMPORTANTS

Avant de procéder à l'installation, coupez les arrivées d'eau chaude et d'eau froide et ouvrez les manettes d'eau chaude et d'eau froide de l'ancien robinet pour libérer la pression accumulée.

Lorsque vous installez un nouveau robinet, tournez les écrous de raccord à la main, puis utilisez une clé pour fixer l'équipement et une autre clé pour serrer l'écrou d'un tour supplémentaire. Si les raccords sont trop serrés, l'intégrité du système sera réduite.

Enroulez toutes les raccords filetés à l'aide de ruban en téflon disponible dans votre magasin d'équipement et de matériaux de plomberie local. Enroulez toujours les raccords dans le sens des aiguilles d'une montre.

Toutes les installations peuvent varier en fonction de la façon dont votre ancien robinet a été installé. Les éléments nécessaires à l'installation de votre robinet ne sont pas tous inclus. Cependant, ils sont disponibles dans tout magasin de plomberie.

INSTALLATION

L'installation doit être effectuée par un plombier certifié et compétent.

Avant l'installation, lisez ces instructions jusqu'au bout, vérifiez que l'emballage contient bien toutes les pièces et regardez si le meuble comporte des défauts.

Si vous avez des questions, appelez le service de soutien technique de Vigo avant de procéder à l'installation.

ASSEMBLAGE

REMARQUE : L'INSTALLATION DOIT ÊTRE EFFECTUÉE PAR UN PLOMBIER CERTIFIÉ ET COMPÉTENT.

1. COUPEZ L'ARRIVÉE D'EAU. RETIREZ L'ANCIEN ROBINET ET LES ANCIENS FLEXIBLES. NETTOYEZ LA SURFACE DU LAVABO EN VUE DE L'INSTALLATION DU NOUVEAU ROBINET.

2. DÉVISSEZ LA VIS À TÊTE HEXAGONALE DE LA BASE DU ROBINET. RETIREZ LA POIGNÉE ET LE CACHE DE POIGNÉE DU ROBINET.

3. FIXEZ LA BASE DU ROBINET SUR LES TUYAUX D'ARRIVÉE D'EAU CHAUDE ET D'EAU FROIDE.

4. IL EST IMPÉRATIF QUE L'ENTREPRENEUR MESURE L'ÉPAISSEUR DE LA PLAQUE DE PLÂTRE UTILISÉE, DU CARRELAGE UTILISÉ ET DES NUANCES AJOUTÉES POUR ÊTRE CERTAINS QUE LE MUR SOIT COMPLÈTEMENT FERMÉ DE SORTE QUE LES COMMANDES D'EAU CHAUDE ET D'EAU FROIDE SOIENT PLACÉES À LA BONNE PROFONDEUR DANS LE MUR POUR FONCTIONNER SELON LES BESOINS;

5. FERMEZ LE MUR AVEC DES PLAQUES DE PLÂTRE ET DES CARREAUX DE CÉRAMIQUE AUTOUR DES CARTOUCHES DE POIGNÉE EXPOSÉE EN LAISSANT ASSEZ D'ESPACE POUR VISSER LES CACHES DE LA POIGNÉE. PLACEZ LE CACHE AVANT SUR LA BASE DU ROBINET ET FIXEZ-LE SUR LES CACHES DE POIGNÉE EN LE VISSANT.

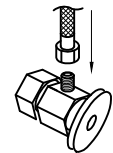
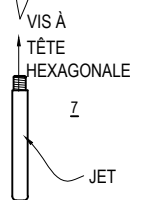
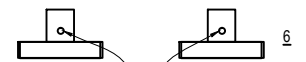
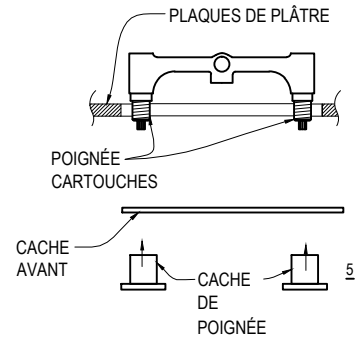
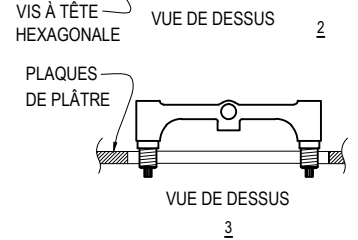
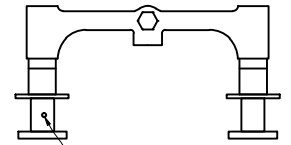
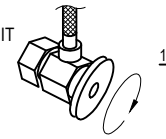
6. PLACEZ LES POIGNÉES SUR LE ROBINET ET SERREZ LES VIS À TÊTE HEXAGONALE.

REMARQUE : IL Y A DEUX ENSEMBLES DE VIS À TÊTE HEXAGONALE, UN ENSEMBLE POUR RÉGLER LA POIGNÉE AFIN QUE CELLE-CI SOIT POSÉE BIEN HORIZONTALEMENT ET UN ENSEMBLE POUR FIXER LES POIGNÉES SUR LE CORPS.

7. VISSER LE JET SUR LE ROBINET. VOUS POUVEZ UTILISER DU RUBAN POUR TUYAU.

8. PLACEZ LES POIGNÉES D'EAU CHAUDE ET D'EAU FROIDE SUR LE ROBINET ET SERREZ LA VIS À TÊTE HEXAGONALE.

9. UNE FOIS L'INSTALLATION TERMINÉE, OUVREZ LES ROBINETS D'ARRIVÉE D'EAU ET FAITES COULER L'EAU CHAUDE ET L'EAU FROIDE PENDANT AU MOINS UNE MINUTE. PENDANT QUE L'EAU COULE, VÉRIFIEZ S'IL N'Y A PAS DE FUITES, NOTAMMENT AU NIVEAU DES CONNEXIONS D'ARRIVÉE D'EAU. SERREZ LÉGÈREMENT LES ÉCROUS POUR ARRÊTER LES FUITES MINEURES.



DÉPANNAGE

PROBLÈME	CAUSE ÉVENTUELLE	MESURE CORRECTIVE	
1 - Fuites au niveau de la poignée	1.A - Cartouche non installée	1.A - Retirez la cartouche de son logement, rincez-la minutieusement à l'eau chaude et remplacez la cartouche dans son logement. 1.B - Contactez le service de soutien technique de Vigo pour remplacer la cartouche.	
2 - Débit insuffisant	1.B - Cartouche défectueuse		
3 - Fuites au niveau des points de raccordement	2.A - Aérateur sale		2.A - Retirez l'aérateur et savonnez/nettoyez-le avec un produit non abrasif (moitié eau chaude, moitié vinaigre). 2.B - Retirez les conduites d'arrivée d'eau et rincez-les. 2.C - Retirez les axes en cuivre et rincez/nettoyez-les.
4 - Corps du robinet desserré	2.B - Flexible/conduite d'alimentation obstrué 2.C - Axes d'alimentation en cuivre obstrués		
5 - Poignée desserrée	3.A - Fuite du flexible au niveau du point de raccordement 3.B - Rondelle défectueuse		3.A - Serrez les flexibles. Si malgré cela, vous n'arrivez pas à résoudre le problème, retirez le flexible et remplacez-le, en vous assurant que le raccord est solidement positionné. Veillez à utiliser le ruban pour tuyau. 3.B - Retirez la conduite d'arrivée d'eau et vérifiez l'état de la rondelle. Si elle est usée, remplacez-la par un raccord résistant qui ne présente pas de fuites.
	4. - Le matériel de fixation est desserré		
	5. - La vis de pression est desserrée		
		4. - Depuis le dessous du comptoir, utilisez une clé à molette et serrez le matériel de fixation. Assurez-vous que le robinet est bien perpendiculaire au comptoir.	
		5. - Retirez le cache eau chaude/eau froide de la poignée. Vous pourrez ainsi accéder à la vis qui permet de fixer la poignée à la cartouche. À l'aide d'une clé à six pans ou d'un tournevis à tête plate, serrez la vis de sorte que la poignée soit fermement fixée à la cartouche.	

LISTE DES PIÈCES - Pour toute pièce nécessaire mais non indiquée, veuillez contacter le service de soutien technique de Vigo

PIÈCE	N° DE PIÈCE	FINI	INDICATEUR DE DATE DE LIVRAISON (À USAGE INTERNE UNIQUEMENT)
Poignée	68076	CH,BN,ARB	W
Vis de pression de poignée	68077	-	W
Jet	68078	CH,BN,ARB	W
Plaque	68079	CH,BN,ARB	W
Cartouche eau chaude	68075	-	W
Cartouche eau froide	68074	-	W
Aérateur	64028	-	W
Valve Logement	68091	-	W

SANS FRAIS : 866 591 - 7792

Courriel : techmail@vigoindustries.com

www.vigoindustries.com

VIGO

NSF / ANSI 61



GARANTIE LIMITÉE À VIE DES ROBINETS

VIGO INDUSTRIES, LLC ("VIGO")

EN VIGUEUR LE 1ER AVRIL 2013

VIGO

VIGO accorde la garantie limitée suivante sur chacun de ses robinets* (le « produit ») et leurs composants. Cette garantie ne s'applique qu'au premier acheteur en vue d'un usage personnel domestique. D'autres limitations s'appliquent en cas d'usage commercial.

Sous réserve de conditions normales d'utilisation et d'entretien, VIGO garantit la structure du produit contre tout vice matériel ou de fabrication et ce, pendant toute la vie du premier propriétaire ou utilisateur final et à partir de la date du premier achat du produit à VIGO ou à un détaillant autorisé de VIGO, par le propriétaire, l'entrepreneur ou le constructeur.

Sous réserve de conditions normales d'utilisation et d'entretien, VIGO garantit les composants de la cartouche du produit contre tout vice matériel ou de fabrication pendant cinq (5) ans à partir de la date du premier achat du produit à VIGO ou à un détaillant agréé de VIGO, par le propriétaire, l'entrepreneur ou le constructeur.

Sous réserve de conditions normales d'utilisation et d'entretien, VIGO garantit l'ensemble de pulvérisation et les autres composants mécaniques du produit contre tout vice matériel ou de fabrication pendant 1(1) an à partir de la date du premier achat du produit à VIGO ou à un détaillant agréé de VIGO, par le propriétaire, l'entrepreneur ou le constructeur.

Sous réserve de la disposition ci-dessous concernant le service de garantie, tout produit déclaré défectueux auprès d'un détaillant agréé ou de VIGO au cours de la période de garantie sera réparé ou remplacé (par un produit de valeur équivalente) au choix de VIGO. Cette garantie s'applique au premier propriétaire et n'est pas transférable à un propriétaire ultérieur.

Aucun distributeur, détaillant agréé de VIGO ou autre tiers n'a reçu l'autorisation de faire des affirmations ou des représentations ou encore de donner des garanties autres que celles contenues dans la présente garantie. Aucune affirmation, représentation ou garantie autre que celles contenues dans la présente garantie n'est opposable à VIGO ou à un tiers.

VIGO se réserve le droit de modifier la présente garantie à tout moment, étant entendu que les dites modifications ne peuvent changer les autres dispositions applicables au moment de la vente des produits visés.

Limitations

Cette garantie ne s'applique pas en cas de procédures d'utilisation incorrectes, de bris ou de dégâts découlant d'une faute due à une mauvaise installation, à la négligence, à une utilisation abusive, à une utilisation non autorisée, à un mauvais entretien ou à la modification du produit, ainsi qu'à une corrosion chimique ou naturelle, à un accident, à un incendie, à une inondation, à une catastrophe naturelle ou à tout autre sinistre. Les nettoyants abrasifs, la laine d'acier et les produits chimiques puissants peuvent érafler, endommager ou ternir le produit et/ou le fini et entraîner l'annulation de la présente garantie. Le propriétaire du produit couvert par la présente garantie est entièrement responsable de sa bonne installation et des travaux de plomberie et de câblage électrique. VIGO n'installe pas le produit, ne supervise pas l'installation ni n'engage un entrepreneur à cette fin. Par conséquent, VIGO ne peut être tenue responsable des défauts, des bris ou des dégâts causés par l'installation ou en découlant, que ce soit directement ou indirectement.

Le propriétaire doit prévoir un accès aux composants du produit conformément aux explications du guide d'installation, afin que VIGO puisse exécuter les obligations stipulées aux présentes. En l'absence dudit accès, toutes les dépenses engagées pour le ménage seront à la charge du propriétaire.

La présente garantie ne s'applique pas aux produits qui n'ont pas été installés ou utilisés conformément aux consignes fournies par VIGO et à l'ensemble des règlements et des lois qui régissent ladite installation.

La présente garantie ne s'applique que si le produit VIGO est installé par des professionnels accrédités et entièrement assurés. VIGO recommande vivement de choisir des professionnels accrédités possédant de l'expérience dans l'installation de produits pour salles de bains et cuisines. [Des personnes non expérimentées dans l'installation de certains produits, y compris sans toutefois s'y limiter, les produits en verre (portes de douche et lavabos en verre) sont susceptibles de causer un problème au niveau du produit, notamment, mais sans s'y limiter, de les briser et de provoquer des blessures, voire la mort.]

VIGO n'est en aucun cas responsable des blessures, des décès ou des dommages directs, spéciaux, consécutifs ou indirects; de la perte de temps; de la perte de profits; des inconviénients; des frais accessoires, des coûts de main-d'œuvre ou de matériaux et de tout autre coût découlant de l'utilisation du produit ou de l'équipement ou en lien avec l'exécution de la présente garantie, ou encore découlant de la dépose ou du remplacement d'un produit, d'une pièce ou d'un élément couvert par la présente garantie.

SAUF DISPOSITION CONTRAIRE CI-DESSUS, VIGO NE FAIT AUCUNE GARANTIE, EXPRESSE OU IMPLICITE, Y COMPRIS DE VALEUR MARCHANDE, D'ADAPTATION À UN USAGE PARTICULIER OU DE CONFORMITÉ À UN CODE.

En aucun cas, VIGO ne peut être tenue responsable de tout montant supérieur au prix d'achat du produit déboursé par le propriétaire/l'utilisateur final, l'entrepreneur ou le constructeur.

Limitations commerciales

Outre les conditions et limitations ci-dessus, la période de garantie des produits installés dans un but commercial ou employés dans des commerces est de un (1) an à partir de la date du premier achat du produit par le propriétaire, l'entrepreneur ou le constructeur. En aucun cas, VIGO ne peut être tenue responsable des pertes de jouissance ou de profits. Si le produit est exposé, la période de garantie commence à compter de sa date d'achat. La présente garantie confère au propriétaire des droits légaux auxquels peuvent s'ajouter d'autres droits selon l'état ou la province.

Service de garantie

Pour obtenir un service en vertu de la présente garantie pendant les heures normales d'ouverture, communiquez avec le détaillant ou le distributeur qui a vendu l'article, ou contactez directement VIGO. Si les conditions suivantes sont réunies, VIGO fournira le service de garantie décrit plus haut : la nature ou le type du problème est couvert par la garantie; l'utilisateur a informé un représentant autorisé de VIGO ou du service de garantie de VIGO de la nature du problème pendant la période de garantie; l'utilisateur a présenté aux personnes précitées des preuves concluantes (p. ex., preuve d'achat ou d'installation) indiquant que le problème est survenu ou a été découvert pendant la période de garantie; le représentant d'une personne ou une société de service agréée indépendante a pu inspecter le produit pendant les heures d'ouverture normales dans un délai raisonnable après le report du problème par l'utilisateur. Les obligations de VIGO au titre de la garantie seront exécutées lors de la proposition de remplacement ou de réparation. Le refus de ladite proposition par le client met fin aux obligations de VIGO au titre de la garantie.

VIGO et les organismes de certification peuvent résilier les certificats sans préavis.

ESPECIFICACIONES DEL GRIFO

VIGO

Grifo de baño para amurar
Modelo VG05002

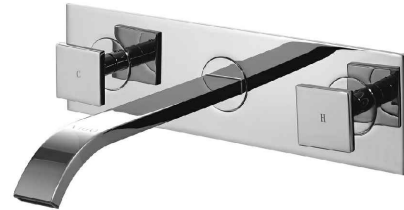
MODELO VG05002

CARACTERÍSTICAS

- Sólida construcción de bronce
- Cartucho de latón
- Grifo de palanca doble
- Instalación amurada
- Acabado resistente a la corrosión y a la pérdida de brillo

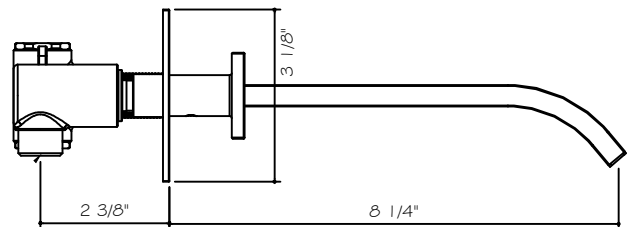
CONTENIDOS DEL PAQUETE

- Juego de grifo
- Llave Allen
- Boca
- Cubierta delantera
- Manejar cubre
- Maneja

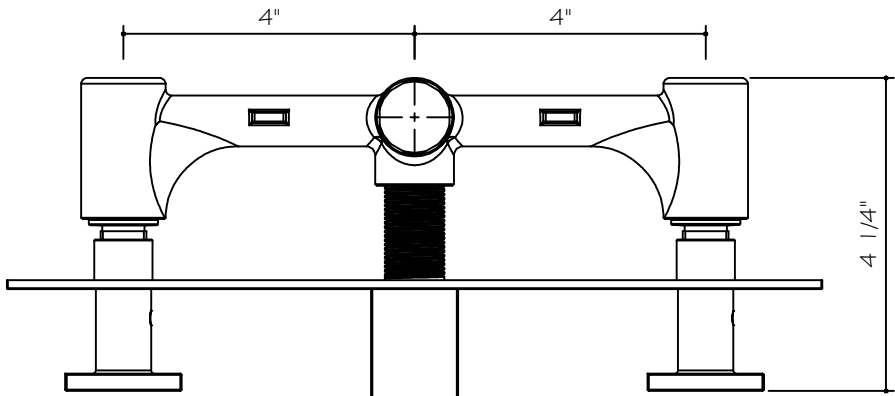


DIMENSIONES

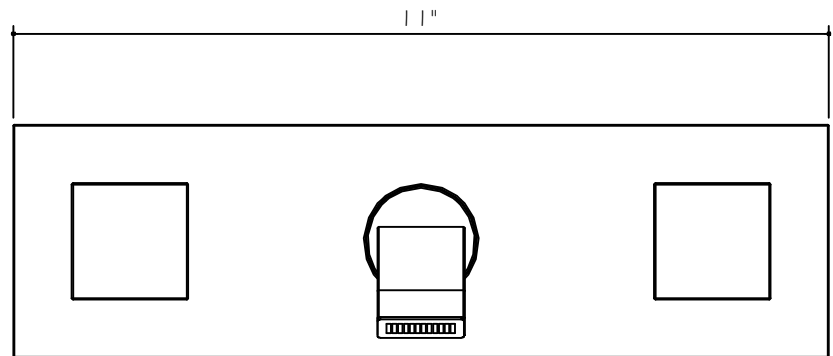
MODEL NRO.	GRIFO ALTURA	BOCA ALCANCE
VG05002	3 1/8"	8 1/4"



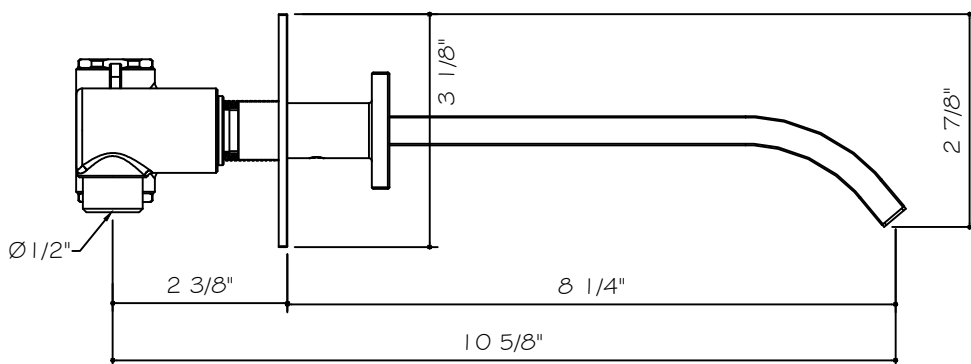
NOTA: Todos los grifos cumplen con CEC 2016 regulaciones. Si usted tiene preguntas acerca de su flujo de agua, por favor escriba techmail@vigoindustries.com.



VISTA SUPERIOR



VISTA FRONTAL



VISTA LATERAL

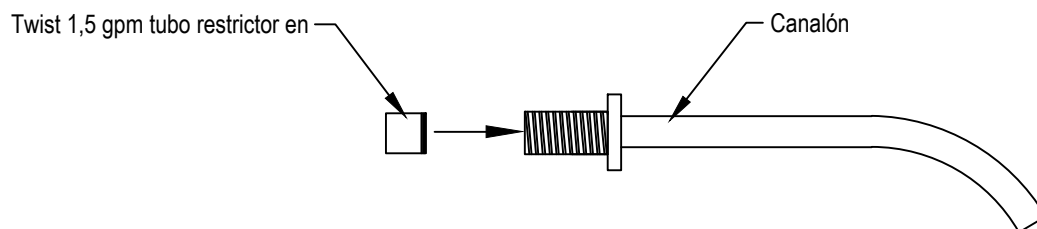
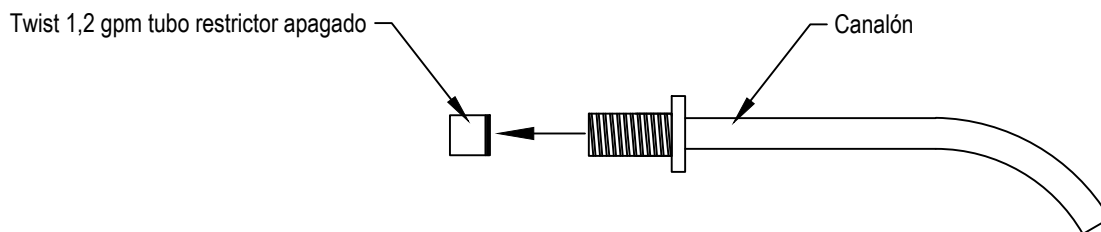
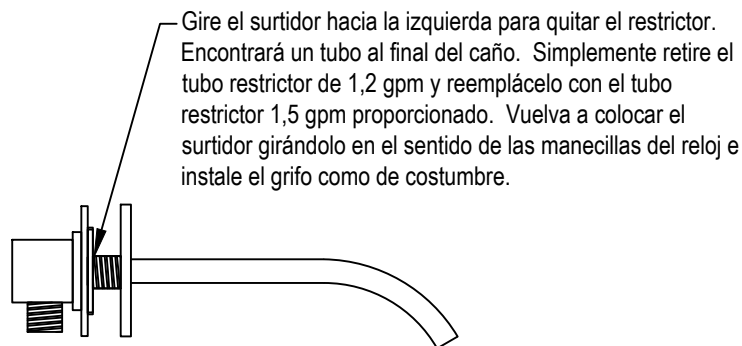
VG05002

LAS MEDIDAS EN PULGADAS SE REDONDÉAN A LA 1/8" MÁS PRÓXIMA

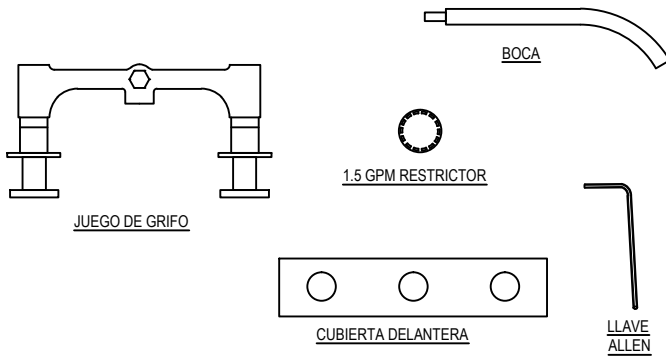
Este producto cumple con los requisitos de la CEC. Es a la discreción del cliente para modificar el producto con el restrictor proporcionado. Si lo hace, se eliminará la posibilidad de que el producto cumple con ciertos requisitos de bajo flujo. Por favor, consulte a su agencia de aplicación de la plomería local o estatal antes de la modificación. Vigo no es responsable de cualquier alteración y los efectos que pueden venir con la alteración de la post venta de productos y altamente informa que el cliente sólo instalar el producto que satisfaga las necesidades de su código de plomería local.

La velocidad de flujo con limitador instalado - 1.2 gpm

La velocidad de flujo con limitador dispuesto en el cuadro - 1.5 gpm



CONTENIDO DEL PAQUETE



MANTENIMIENTO

Su nuevo grifo está diseñado para funcionar durante muchos años sin inconvenientes.

Limpielo de manera periódica con un trapo suave para mantener su aspecto de nuevo. Evite usar limpiadores abrasivos, lana de acero y productos químicos fuertes dado que rayan, opacan o dañan el acabado o el producto y anulan la garantía.

HERRAMIENTAS NECESARIAS

Llave inglesa
 Pinzas pico de loro
 Masilla de plomería
 Cinta para cañerías
 Destornilladores Phillips y para tornillos de rosca cuadrada

CONSEJOS DE SEGURIDAD

Asegúrese de cerrar el suministro del agua antes de la instalación.
 Cuando corte o suelde cañerías de suministro de agua, proteja sus ojos con gafas de seguridad.
 Cubra el desagüe para evitar perder piezas.

PUNTOS IMPORTANTES

Antes de comenzar con la instalación, cierre las cañerías de agua fría y agua caliente y abra los pasos de agua fría y agua caliente del grifo viejo para liberar la presión acumulada.

Cuando instale su nuevo grifo, ajuste las tuercas de la conexión con los dedos, después utilice una llave para sujetar el accesorio y una segunda llave para ajustar la tuerca una vuelta más. Ajustar demasiado la conexión disminuye la integridad del sistema.

Envuelva todas las conexiones roscadas con cinta de teflón. Puede comprar la cinta en su tlapalería o tienda de plomería locales. Siempre envuélvalas en el sentido de las agujas del reloj.

Cada instalación puede variar según la manera en la cual haya estado instalado su grifo anterior. Si bien no se incluyen todos los recursos necesarios para instalar su grifo, puede adquirirlos donde se vendan productos de plomería.

INSTALACIÓN

La instalación debe llevarla a cabo un plomero con licencia.

Antes de la instalación, sírvase leer con atención las instrucciones, confirmar que estén incluidas todas las piezas y llevar a cabo una inspección visual de la unidad para ver si tiene defectos.

Si tiene alguna pregunta, sírvase comunicarse con el Departamento de Asistencia Técnica de Vigo antes de comenzar con la instalación.

MONTAJE

NOTA: LA INSTALACIÓN DEBE LLEVARLA A CABO UN PLOMERO CALIFICADO Y CON LICENCIA.

1. CIERRE EL SUMINISTRO DEL AGUA. QUITÉ EL GRIFO VIEJO Y LAS MANGUERAS FLEXIBLES. LIMPIE LA SUPERFICIE DEL LAVABO PARA PREPARARLO PARA EL NUEVO GRIFO.

2. SAQUE EL TORNILLO HEXAGONAL DE LA BASE DEL GRIFO. SAQUE LA LLAVE Y LA CUBIERTA DE LA LLAVE DEL GRIFO.

3. AJUSTE LA BASE DEL GRIFO A LOS CAÑOS DE AGUA FRÍA Y AGUA CALIENTE.

4. ES IMPERATIVO QUE UN CONTRATISTA CON LICENCIA MIDA EL GROSOR DE LA PLACA DE YESO Y LOS AZULEJOS QUE SE UTILICEN ASÍ COMO LOS DETALLES AGREGADOS PARA ASEGURARSE DE QUE, CUANDO LA PARED ESTÉ POR COMPLETO CERRADA, LOS CONTROLES DE AGUA CALIENTE Y AGUA FRÍA ESTÉN COLOCADOS A LA PROFUNDIDAD CORRECTA EN LA PARED PARA FUNCIONAR CONFORME CON LAS NECESIDADES DESEADAS.

5. CIERRE LA PARED CON LA PLACA DE YESO Y LOS AZULEJOS DE CERÁMICA EN TORNO A LOS CARTUCHOS EXPUESTOS DE LA LLAVE. DEJE SUFICIENTE ESPACIO COMO PARA ENROSCAR LAS CUBIERTAS DE LA LLAVE EN SU LUGAR. COLOQUE LA CUBIERTA DELANTERA EN LA BASE DEL GRIFO Y ENROSQUE LAS CUBIERTAS DE LA LLAVE HASTA QUE ESTÉN FIRMES.

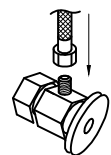
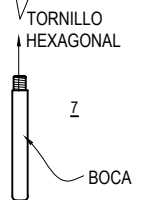
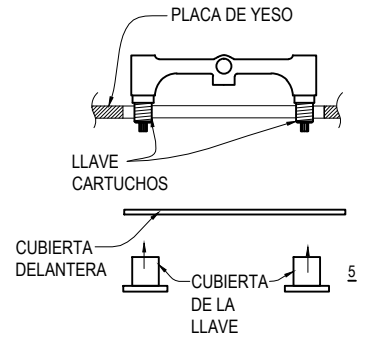
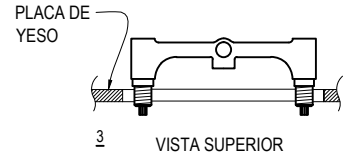
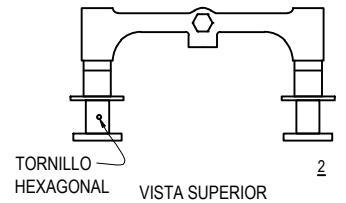
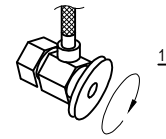
6. COLOQUE LAS LLAVES EN EL GRIFO Y AJUSTE LOS TORNILLOS HEXAGONALES.

NOTA: HAY DOS JUEGOS DE TORNILLOS HEXAGONALES: UNO PARA AJUSTAR LA LLAVE PARA ASEGURARSE DE QUE SE ENCUENTRE NIVELADA EN POSICIÓN HORIZONTAL Y UNO PARA UNIR LAS LLAVES AL CUERPO.

7. ATORNILLE LA BOCA AL GRIFO. QUIZÁ OPTÉ POR UTILIZAR CINTA PARA CAÑERÍAS.

8. COLOQUE LAS LLAVES DE AGUA FRÍA Y AGUA CALIENTE EN EL GRIFO Y AJUSTE EL TORNILLO HEXAGONAL.

9. DESPUÉS DE HABER TERMINADO CON LA INSTALACIÓN, ABRA LAS VÁLVULAS DE SUMINISTRO DE AGUA Y DEJE CORRER AL MENOS UN MINUTO EL AGUA FRÍA Y UN MINUTO EL AGUA CALIENTE. MIENTRAS EL AGUA ESTÉ CORRIENDO, REVISE SI HAY PÉRDIDAS, EN ESPECIAL EN LAS CONEXIONES A LAS CAÑERÍAS DE SUMINISTRO. EL AJUSTE SUAVE DE LAS TUERCAS DETIENE PÉRDIDAS MENORES.



SOLUCIÓN DE PROBLEMAS

PROBLEMA	CAUSA POTENCIAL	MEDIDA CORRECTIVA
1 - Pérdida desde la llave	1.A - Cartucho no ajustado	1.A - Saque el cartucho de la caja, lávelo bien con agua caliente e insértelo bien de nuevo en la caja. 1.B - Para cambiarlo, comuníquese con el Departamento de Asistencia Técnica de Vigo. 2.A - Saque el aireador y póngalo en remojo/ límpielo con un agente no abrasivo (es decir, mitad agua caliente, mitad vinagre). 2.B - Saque las cañerías de suministro y enjuáguelas. 2.C - Saque los vástagos de cobre y enjuáguelos/ límpielos por completo. 3.A - Ajuste las mangueras. Si eso no resuelve el problema, saque la manguera flexible e insértela de nuevo. Cuando lo haga, asegúrese de que la conexión esté bien ajustada. Asegúrese de utilizar cinta para cañerías. 3.B - Saque la cañería de suministro y revise el estado de la arandela. Si está rota, debe cambiarla por una conexión firme y sin pérdidas. 4. - Desde debajo de la encimera, utilice una llave inglesa para ajustar los dispositivos de ensamblaje. Asegúrese de que el grifo esté en posición perpendicular a la encimera. 5. - Saque la cubierta de caliente/frío de la llave. Eso le dará acceso al tornillo que conecta la llave con el cartucho. Con una llave Allen o un destornillador de cabeza gruesa, ajuste el tornillo para que la conexión entre la llave y el cartucho esté firme.
2 - Caudal insuficiente	1.B - Cartucho defectuoso	
3 - Pérdida en puntos de conexión	2.A - Aireadores sucios	
4 - Afloje el cuerpo del grifo	2.B - Manguera/ cañería de suministro tapadas	
5 - Afloje la llave	2.C - Vástagos de suministro de cobre tapados	
	3.A - La manguera flexible pierde en el punto de conexión 3.B - Arandela defectuosa	
	4. - Los dispositivos de ensamblaje se aflojaron	
	5. - El tornillo sujetador se aflojó	

LISTA DE PIEZAS - En caso de cualquier pieza que se necesite pero no se muestre, sírvase comunicarse con el Departamento de Asistencia Técnica de Vigo

PIEZA	NRO. DE PIEZA	ACABADO	INDICADOR DE FECHA DE SUMINISTRO (SÓLO PARA USO INTERNO)
Llave	68076	CH,BN,ARB	W
Tornillo sujetador de la llave	68077	-	W
Boca	68078	CH,BN,ARB	W
Placa	68079	CH,BN,ARB	W
Cartucho caliente	68075	-	W
Cartucho frío	68074	-	W
Aireador	64028	-	W
Válvula de Vivienda	68091	-	W

NÚMERO GRATUITO: (866) 591 - 7792

Dirección de correo electrónico:
techmail@vigoindustries.com

www.vigoindustries.com

VIGO



VIGO INDUSTRIES, LLC ("VIGO")
GARANTÍA LIMITADA DE POR VIDA PARA GRIFOS
EN VIGENCIA DESDE EL 1° DE ABRIL DE 2013

VIGO

VIGO ofrece la siguiente garantía limitada por cada uno de sus productos de grifería (el "Producto") y sus componentes. La presente garantía sólo rige para el propietario original y por el uso personal doméstico. En el caso de usos comerciales, rigen otras limitaciones.

VIGO garantiza que la estructura del Producto carecerá de defectos de mano de obra y materiales en condiciones normales de uso y servicio durante un período que comienza en la fecha de compra inicial por parte del propietario, contratista o constructor a VIGO o a un distribuidor autorizado de VIGO y durante toda la vida del propietario o usuario final originales.

VIGO garantiza que el componente del cartucho del Producto carecerá de defectos de mano de obra y materiales en condiciones normales de uso y servicio durante un período de cinco (5) años a partir de la fecha de compra inicial por parte del propietario, contratista o constructor a VIGO o a un distribuidor autorizado de VIGO.

VIGO garantiza que el juego de rociado y demás componentes mecánicos del Producto carecerán de defectos de mano de obra y materiales en condiciones normales de uso y servicio durante un período de un (1) año a partir de la fecha de compra inicial por parte del propietario, contratista o constructor a VIGO o a un distribuidor autorizado de VIGO.

Teniendo en cuenta las condiciones de reparación cubierta por la garantía indicadas más abajo, todos los productos que sean objeto de reclamo ante un distribuidor autorizado o ante VIGO por ser defectuosos dentro del período de garantía se repararán o reemplazarán (por un producto de valor equivalente) a discreción de VIGO. La presente garantía rige para el propietario original y no es transferible a propietarios posteriores.

Ni el mayorista, ni el distribuidor autorizado de VIGO ni otras personas tienen autorización para hacer afirmación o declaración algunas u ofrecer garantía alguna que no estén contenidas en la presente garantía. Cualquier afirmación, declaración o garantía no contenidas en la presente no podrán hacerse valer ante VIGO o ante otras personas.

VIGO se reserva el derecho de modificar la presente garantía en cualquier momento y se entiende que dichas modificaciones no alterarán las condiciones de la garantía aplicables en el momento de la venta de los productos en cuestión.

Limitaciones

La presente garantía no regirá en casos de procedimientos incorrectos, rupturas o daños provocados por fallos debidos a instalación inadecuada, falta de cuidado, abuso, mal uso, uso indebido, mantenimiento inadecuado o alteración del Producto así como por corrosión química o natural, accidentes, incendios, inundaciones, fuerza mayor o alguna otra casualidad. Evite usar limpiadores abrasivos, lanas de acero y productos químicos fuertes dado que rayan, dañan u opacan el producto o el acabado y anulan la garantía. El propietario del Producto cubierto por la presente garantía es por completo responsable por la instalación adecuada y toda la plomería o el cableado eléctrico necesarios. VIGO no instala ni supervisa la instalación ni subcontrata con dicho fin a contratista alguno. Por ende, no puede considerársela responsable por cualquier defecto, ruptura o daño provocado por la instalación o que resulte de ella, tanto de manera directa como de manera indirecta.

El propietario debe brindar acceso a los componentes del Producto tal como se describe en la guía de instalación de manera que VIGO pueda cumplir con la garantía especificada en la presente. En caso de no contar con dicho acceso, todos los gastos para proporcionarlo serán responsabilidad del propietario.

La presente garantía no rige para Productos que no se hayan instalado o utilizado según las instrucciones suministradas por VIGO y todas las reglas, normas y legislación aplicables sobre dichas instalaciones.

La presente garantía no tiene vigencia a menos que sean profesionales con licencia y seguro completos quienes instalen el Producto de VIGO. VIGO recomienda con especial énfasis que dichos profesionales licenciados cuenten con experiencia en la instalación de productos de baño y cocina. [La instalación de ciertos productos, incluidos, entre otros, productos de vidrio (es decir, puertas de duchas y lavabos de vidrio) por parte de personas sin experiencia puede provocar fallos en el producto incluidos, entre otros, ruptura del vidrio que podría provocar lesiones personales o la muerte.]

VIGO no se hace responsable por lesiones personales o muerte de persona alguna o por daños directos, especiales, accidentales o resultantes, pérdida de tiempo, pérdida de ganancias, inconvenientes, gastos accidentales, honorarios por mano de obra, gastos en materiales o demás costos que sean consecuencia del uso del producto o del equipo o relacionados con la aplicación de la presente garantía o provocados por la extracción o el cambio de algún producto o elemento o pieza cubiertos por la presente garantía.

CON EXCEPCIÓN DE LO ESTIPULADO MÁS ARRIBA, VIGO NO OFRECE GARANTÍA ALGUNA, EXPRESA O IMPLÍCITA, INCLUIDAS GARANTÍAS DE COMERCIALIZACIÓN Y ADECUACIÓN A UN USO PARTICULAR O CUMPLIMIENTO CON CÓDIGO ALGUNO.

En ningún caso puede considerarse a VIGO responsable por monto alguno superior al precio de compra que el propietario/usuario final, contratista o constructor abonaran por el Producto.

Limitaciones comerciales

Además de las condiciones y limitaciones precedentes, el período de garantía de los productos instalados para aplicaciones comerciales o utilizados en locales comerciales es de un (1) año desde la fecha de compra inicial por parte del propietario, contratista o constructor a un distribuidor autorizado. VIGO no se hace responsable por pérdidas funcionales o de ganancias bajo ninguna circunstancia. Si el producto se utiliza para su exhibición, el período de garantía comienza en la fecha de compra. La presente garantía otorga al propietario derechos legales específicos. El propietario también puede tener otros derechos que pueden variar según el estado o la provincia.

Reparación cubierta por la garantía

Para obtener la reparación contemplada por la presente garantía durante el horario comercial regular, comuníquese con el distribuidor o el mayorista que le vendió la unidad o directamente con VIGO. VIGO proporcionará la reparación cubierta por la garantía que se describe más arriba cuando se cumpla con las siguientes condiciones: cuando el fallo sea de la naturaleza o el tipo cubiertos por la garantía; cuando el usuario haya informado a un agente autorizado de VIGO o a un representante del departamento de reparaciones cubiertas por la garantía de VIGO sobre la naturaleza del problema durante el período de garantía; cuando el usuario proporcione pruebas concluyentes (por ejemplo, comprobante de compra o instalación) de lo precedente donde se muestre que el fallo se produjo o se descubrió dentro del período de garantía; cuando se haya permitido a una persona o a una empresa independientes y autorizadas que brinden servicios de reparación inspeccionar el producto durante el horario comercial regular dentro de un tiempo razonable después de que el usuario haya comunicado el problema. La obligación de garantía de VIGO quedará terminada en el momento de la propuesta de cambio o reparación. Si el cliente se rehúsa a aceptar la propuesta, las obligaciones de garantía de VIGO no tendrán más vigencia.

VIGO o las agencias de certificación pueden dar por finalizada la certificación sin previo aviso.