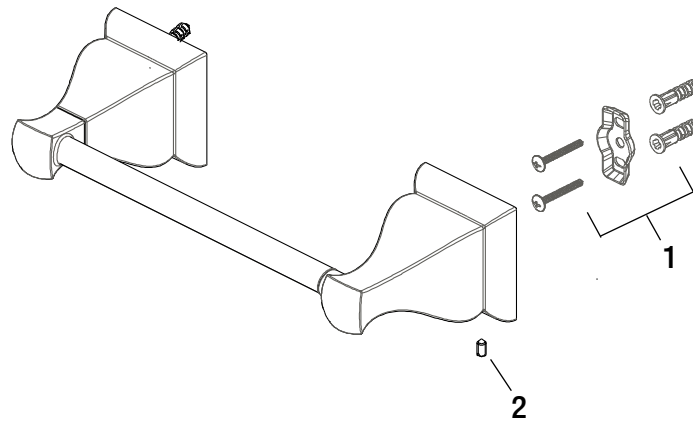




## Replacement Parts List

Glacier Bay Milner Series Pivoting Tissue Holder

MODEL	STORE SKU #	FINISH
20120-2027H2	1000052923	Bronze



Many replacement parts can be purchased online or at your local store. Please use the table below to identify the part SKU number needed, go to [HOMEDEPOT.COM](http://HOMEDEPOT.COM), and check for online and store availability. If you can't find the part you are looking for, please call 1-855-HD-GLACIER.

Part	Description	Part #	Internet SKU #	Store SKU #
1	Plastic Anchor	RP80061	207107132	
	Mounting Bracket			
	Wood Screw			
2	Set Screw	RP50078		