

Please go to www. quoizel. com for product cleaning tips. Go to the **Care + Maintenance** selection.

Tools Required: Flathead screwdriver, Phillips screwdriver, pliers, wire cutters, wire strippers, electrical tape, safety glasses.

Light Source: (5)A19 Medium Base bulb 100W Maximum, Alternate bulb (5)23W CFL.

Estimated Assembly Time: 20-30 minutes

Preparation: Identify and inspect all parts before beginning installation. Check package content list and diagrams below to be sure all parts are present. If any parts are missing or damaged, do not attempt to assemble, install, or operate the fixture. Contact customer service for replacement parts.

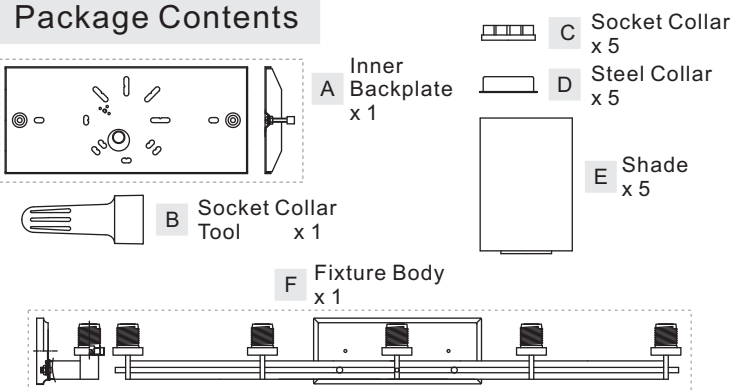
⚠ Warnings and Cautions

Turn off electricity at circuit breaker or main fuse box before installation. Consult a licensed electrician if in doubt.

These instructions are provided for your safety. It is very important you read them completely before installing the fixture. We strongly recommend that a licensed, professional electrician perform the installation.

Disconnect fixture from power source before replacing bulbs. Make sure bulbs are given sufficient time to cool before removal. Do not subject glass parts to any shock while in operation or shattering may result.

Package Contents



(Step 2 Continued)

Once the backplate on Fixture Body (F) is secure, remove the mounting ball and Fixture Body (F) and proceed to Step 3.

STEP 3 - Wire Connections

A. Use standard wire connectors (not included) to make all wire connections. (Connectors are not included with fixture.) Twist connectors until wires are tightly joined together. Wrap each connection with approved electrical tape and carefully stuff all the connected wires into the Outlet Box.

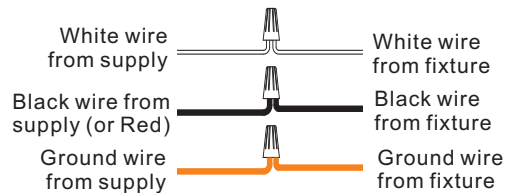


Figure 3

STEP 1 - Install Inner Backplate

A. Pass supply wires with Ground Wire through the Inner Backplate (A). Place the Inner Backplate (A) onto the Wall surface and line up one set of holes onto mounting holes on Outlet Box. Secure by threading Outlet Box Screws (not supplied) into the mounting holes on the Outlet Box. Tighten until snug.

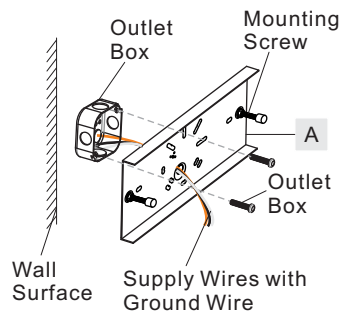


Figure 1

STEP 4 - Install Fixture Body

A. Carefully tuck all wires into the outlet box and position the Backplate of Fixture Body (F) over the outlet box. Align the holes in the Backplate with the mounting screws. Secure with the previously removed mounting balls and hand tighten until snug.

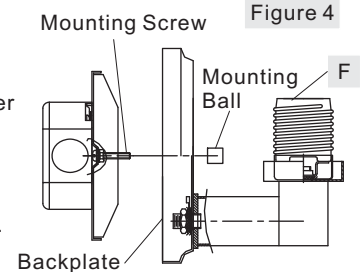


Figure 4

STEP 2 - Fit Backplate to Inner Backplate

A. Remove mounting balls from the Inner Backplate (A). Fit the backplate on Fixture Body (F) to the Inner Backplate (A) and secure with mounting balls. Note: The backplate on Fixture Body (F) should be snug against the wall and the mounting balls. If not, adjust the length of the mounting screw on the Inner Backplate (A) by unscrewing the preassembled hex nut and Lock washer and then screwing the mounting screws in or out of the Inner Backplate (A) until the correct length is achieved.

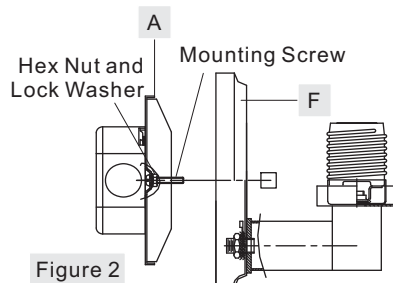


Figure 2

STEP 5 - Install Shade

A. Place Shade (E) and Steel Collar (D) over the Socket as shown. By using the Socket Collar Tool (B), thread the Socket Collar (C) onto the Socket to secure the Shade (E). Hand tighten until snug.

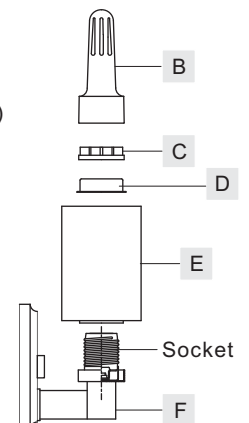


Figure 5

Thank you for purchasing a Quoizel product.
Need assistance with parts or assembly? Call Quoizel customer service at 1-631-273-2700 or visit us on-line at www. quoizel. com

STEP 6 - Install Bulb

A. This fixture uses standard bulb with medium base. Maximum 100 watts. Insert bulb and screw snugly into place.

Your fixture is now assembled and ready to use. Enjoy!

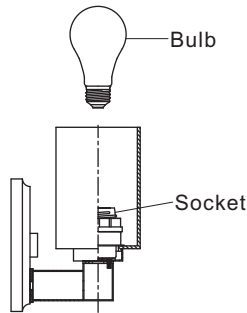
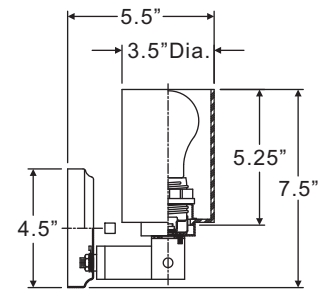
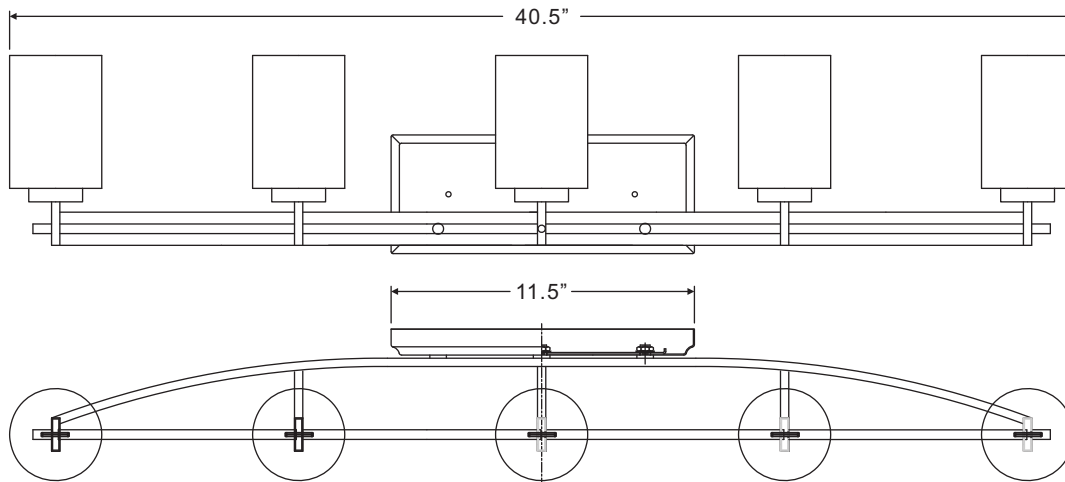
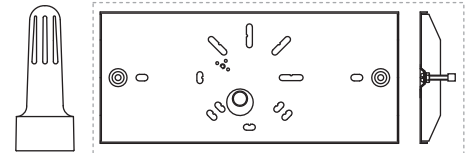


Figure 6

STYLE NUMBER	FINISH NAME	STYLE NUMBER	FINISH NAME
TY8605BN	BRUSHED NICKEL	TY8605WT	WESTERN BRONZE
TY8605AN	ANTIQUÉ NICKEL	TY8605C	POLISHED CHROME



(5) 100W Medium Base Bulbs (Not Supplied)

NOTE: ALL DIMENSIONS ARE ROUNDED UP TO THE NEAREST 1/4"

NO.	PART NUMBER	REPLACEMENT PART DESCRIPTION	QTY.	STYLE NUMBER
1	G2440SH	GLASS SHADE	5	TY8605BN
				TY8605AN
				TY8605WT
				TY8605C

Thank you for purchasing a Quoizel product.
 Need assistance with parts or assembly? Call Quoizel customer service at 1-631-273-2700
 or visit us on-line at www.quoizel.com