

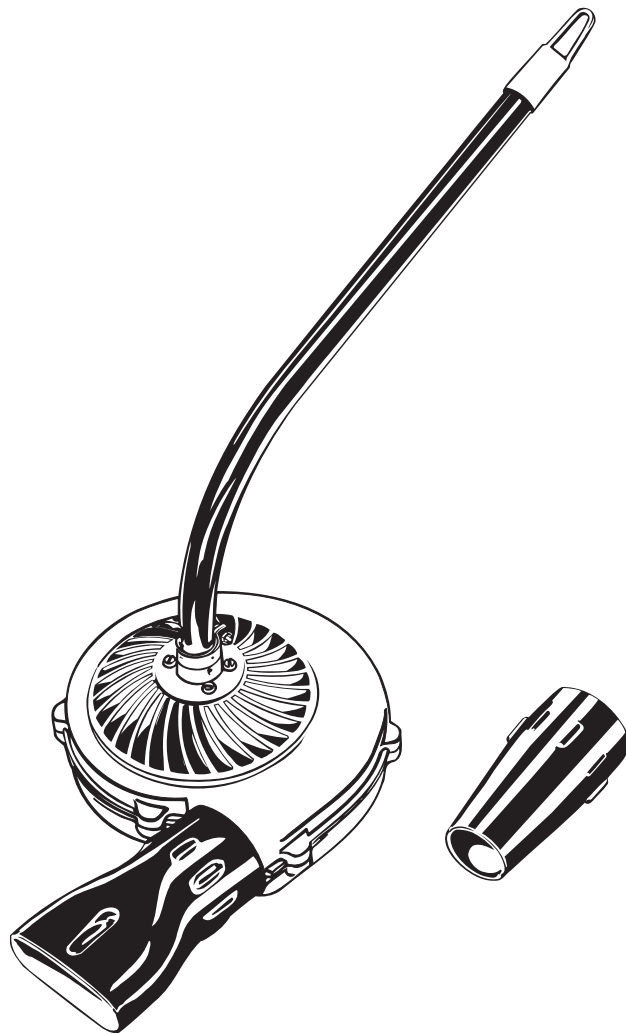
TrimmerPlus[®]

Turbo Blower



TB720

OPERATOR'S MANUAL



FOR QUESTIONS, CALL 1-800-345-8746 in U.S. or
1-800-668-1238 in CANADA
www.TrimmerPlus.com

IMPORTANT MANUAL

DO NOT THROW AWAY

INTRODUCTION

THANK YOU

Thank you for buying this quality product. This modern outdoor power tool will provide many hours of useful service. You will find it to be a great labor-saving device. This operator's manual provides you with easy-to-understand operating instructions. Read the whole manual and follow all the instructions to keep your new outdoor power tool in top operating condition.

PRODUCT REFERENCES, ILLUSTRATIONS AND SPECIFICATIONS

All information, illustrations and specifications in this manual are based on the latest product information available at the time of printing. We reserve the right to make changes at any time without notice.

Copyright ©2008 MTD LLC
All Rights Reserved.

TrimmerPlus® is a registered trademark of MTD LLC.

SERVICE INFORMATION

Service on this unit both within and after the warranty period should be performed only by an authorized and approved service dealer.

Dial:

- 1-800-345-8746 in the United States

Or

- 1-800-668-1238 in Canada to obtain the listing of the authorized service dealer nearest you.

DO NOT RETURN THE UNIT TO THE RETAILER.

NOTE: PROOF OF PURCHASE WILL BE REQUIRED FOR WARRANTY SERVICE.

Make sure this manual is carefully read and understood before starting or operating this equipment.

THIS PRODUCT IS COVERED BY ONE OR MORE US PATENTS. OTHER PATENTS PENDING.

TABLE OF CONTENTS

I. Rules for Safe Operation	2-6
A. Important Safety Information	3-4
B. Safety and International Symbols	5
C. Know Your Unit	6
II. Operating Instructions	7-9
A. Assembling the coupler	7
B. Interchanging Nozzles	8-9
III. Maintenance and Repair Instructions	10
A. Storage	10
B. Transporting	10
C. Accessories/Replacement Parts	10
IV. Specifications	11
V. Warranty	12
VI. Parts List	E11

CONTENTS OF CARTON

This unit should consist of the following:

- TB720 Turbo Blower Add-On
- Flare Nozzle
- Concentrator Nozzle
- Hanger
- Operator's Manual

NOTE: This product has been rated for use on both gas and electric powerheads.

WARNING!

Read the Operator's Manual(s) and follow all warnings and safety instructions. Failure to do so can result in serious injury to the operator and/or bystanders.

RULES FOR SAFE OPERATION

The purpose of safety symbols is to attract your attention to possible dangers. The safety symbols, and their explanations, deserve your careful attention and understanding. The safety warnings do not by themselves eliminate any danger. The instructions or warnings they give are not substitutes for proper accident prevention measures.

SYMBOL	MEANING
	SAFETY ALERT SYMBOL: Indicates danger, warning, or caution. Attention is required in order to avoid serious personal injury. May be used in conjunction with other symbols or pictographs.
	NOTE: Advises you of information or instructions vital to the operation or maintenance of the equipment.



DANGER: Failure to obey a safety warning will result in serious injury to yourself or to others. Always follow the safety precautions to reduce the risk of fire, electric shock, and personal injury.



WARNING: Failure to obey a safety warning can result in injury to yourself and others. Always follow the safety precautions to reduce the risk of fire, electric shock, and personal injury.



CAUTION: Failure to obey a safety warning may result in property damage or personal injury to yourself or to others. Always follow the safety precautions to reduce the risk of fire, electric shock, and personal injury.

RULES FOR SAFE OPERATION

• IMPORTANT SAFETY INFORMATION •

READ ALL INSTRUCTIONS



WARNING: When using the unit, the safety rules must be followed. For your own safety and that of bystanders, please read these instructions before operating the unit. Please keep the instructions safe for later use.

BEFORE OPERATING

- Carefully read and understand the operator's manual of the unit that powers this add-on.
- Read this operating instruction manual carefully. Be thoroughly familiar with the controls and the proper use of the equipment. Know how to stop the unit and disengage the controls quickly.
- Do not operate this unit when tired, ill, or under the influence of alcohol, drugs, or medication.
- Never allow children to operate the equipment. Never allow adults unfamiliar with the instructions to use the unit. Never allow adults to operate the equipment without proper instruction.
- All guards and safety attachments must be installed properly before operating the unit.
- Inspect the unit before use.
- Keep the air intake opening clear of debris.
- Clear the area before each use. Remove all objects such as rocks, broken glass, nails, wire, or string which can be thrown or become entangled in the add-on.

SPECIAL SAFETY WARNINGS FOR GAS POWERHEADS AND TURBO BLOWER ADD-ONS

WARNING: Gasoline is highly flammable, and its vapors can explode if ignited. Take the following precautions:

- Store fuel only in containers specifically designed and approved for the storage of such materials.
- Always stop the engine and allow it to cool before filling the fuel tank. Never remove the cap of the fuel tank, or add fuel, when the engine is hot. Never operate the unit without the fuel cap securely in place. Loosen the fuel tank cap slowly to relieve any pressure in the tank.
- Mix and add fuel in a clean, well-ventilated area outdoors where there are no sparks or flames. Slowly remove the fuel cap only after stopping engine. Do not smoke while fueling or mixing fuel. Wipe up any spilled fuel from the unit immediately.
- Avoid creating a source of ignition for spilled fuel. Do not start the engine until fuel vapors dissipate.

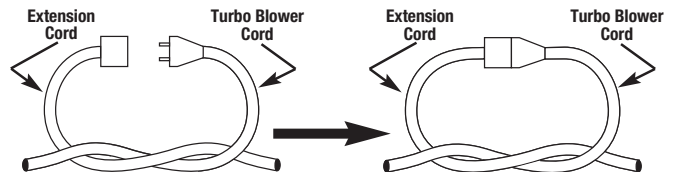
- Move the unit at least 30 feet (9.1 m) from the fueling source and site before starting the engine. Do not smoke. Keep sparks and open flames away from the area while adding fuel or operating the unit.
- Never start or run the unit inside a closed room or building. Breathing exhaust fumes can kill. Operate this unit only in a well ventilated area outdoors.

SPECIAL SAFETY WARNINGS FOR ELECTRIC POWERHEADS AND TURBO BLOWER ADD-ONS



WARNING: To reduce the risk of electrical shock, use only extension cords approved for outdoor use, such as an extension cord of cord type SW-A, SOW-A, STW-A, STOW-A, SJW-A, SJOW-A, SJTW-W or SJTOW-A. Extension cords are available from your local retailer. Use only round-jacketed extension cords approved for outdoor use.

- **CORD SETS:** Make sure your cord set is in good condition. When using a cord set, be sure to use a cord that is heavy enough to carry the current that your unit will draw. An undersized cord set will cause a drop in line voltage resulting in loss of power and overheating. See the operator's manual for the unit that will power this add-on for the recommended cord size.
- Inspect all extension cords and the unit power connection periodically. Look closely for deterioration, cuts or cracks in the insulation. Also inspect the connections for damage. Replace the cords if any defects or damage appear.
- Prevent disconnection of the electric powerhead from extension cord during operation by using a plug-receptacle retaining strap, connector, or by making a knot as shown below:



- Avoid dangerous environments. Never operate your unit in damp or wet conditions. Moisture is a shock hazard.
- Do not use the unit in the rain. Do not use in or around water.
- Do not handle the plug or unit with wet hands or standing on any wet surfaces.
- Do not leave the unit plugged in when not in use, changing add-ons, or while being serviced.

RULES FOR SAFE OPERATION

WHILE OPERATING

- Keep bystanders, especially children and pets, at least 50 ft (15 m) away.
- Wear safety glasses or goggles that are marked as meeting ANSI Z87.1–1989 standards, and ear/hearing protection when operating this unit. Wear a face or dust mask if the operation is dusty.
- Wear heavy, long pants, boots, gloves and a long sleeve shirt. Do not wear loose clothing, jewelry, short pants, sandals or go barefoot. Secure hair above shoulder level.
- Use the unit only in daylight or good artificial light.
- Use the right tool. Only use this tool for the purpose intended.
- Do not overreach, take extra care when working on steep slopes or inclines. Always keep proper footing and balance.
- Always hold the unit with both hands when operating. Keep a firm grip on both the front and rear handle or grips.
- Keep air intake opening clear of debris while blowing.
- Never operate the unit without the a nozzle installed.
- Never attempt to clear a clogged intake with the engine/motor running.
- Do not force unit. It will do the job better and with less likelihood of injury at a rate for which it was designed.
- Do not operate the engine faster than the speed needed to do the job. Do not run the engine at high speed when not in use.
- Always stop the engine/motor when operation is delayed or when walking from one location to another.
- If you strike or become entangled with a foreign object, stop the engine/motor immediately and check for damage. Have any damage repaired before attempting further operations.
- Stop the unit IMMEDIATELY if you feel excessive vibration. Vibration is a sign of trouble. Inspect thoroughly for loose nuts, bolts or damage before continuing. Repair or replace affected parts as necessary.
- Stop and switch the unit to off for maintenance, repair, or for changing add-ons. The unit must be stopped and the impeller no longer turning to avoid injury.
- Use only genuine MTD replacement parts and accessories for this unit. These are available from your authorized service dealer. Use of any non-MTD parts or accessories could lead to serious injury to the user or damage to the unit, and void your warranty.

OTHER SAFETY WARNINGS

- Allow the unit to cool before storing or transporting. Be sure to secure the unit while transporting.
- Store the unit in a locked up and dry or high and dry place to prevent unauthorized use or damage, out of the reach of children.
- Never douse or squirt the unit with water or any other liquid. Keep handles dry, clean and free from debris. Clean unit and labels with a damp sponge. Clean after each use.
- Keep these instructions. Refer to them often and use them to instruct other users. If you loan someone this unit, also loan them these instructions.
- Only qualified personnel should perform any repairs or maintenance procedures that are not described in this manual.
- Check engine mounting bolts and other bolts at frequent intervals for proper tightness to be sure the equipment is in safe working condition.
- Inside a building store the machine away from ignition sources. Allow the engine to cool before storing in any enclosure.
- Always refer to the Operator's Manual instructions for important details if the unit is to be stored for an extended period.
- Do not attempt to repair the machine unless you have the proper tools, and instructions for disassembly and repair of the machine.

SAVE THESE INSTRUCTIONS

RULES FOR SAFE OPERATION

SAFETY AND INTERNATIONAL SYMBOLS

This operator's manual describes safety and international symbols and pictographs that may appear on this product. Read the operator's manual for complete safety, assembly, operating and maintenance and repair information.

SYMBOL

MEANING



- **SAFETY ALERT SYMBOL**

Indicates danger, warning, or caution. May be used in conjunction with other symbols or pictographs.



- **WARNING - READ OPERATOR'S MANUAL**

Read the Operator's Manual(s) and follow all warnings and safety instructions. Failure to do so can result in serious injury to the operator and/or bystanders.



- **WEAR EYE AND HEARING PROTECTION**

WARNING: The operation of any power tool can be the source of thrown objects and loud noise which can cause severe eye injury and hearing loss. Always wear safety glasses or goggles eye protection meeting ANSI Z87.1-1989 standards and ear protection when operating this unit. Use a full face shield when needed.



- **KEEP BYSTANDERS AWAY**

WARNING: Keep all bystanders, especially children and pets, at least 50 feet (15 m) from the operating area.



- **THROWN OBJECTS CAN CAUSE SEVERE INJURY**

WARNING: Do not operate unit without proper attachments and guards in place.



- **BLOWER/VACUUM - ROTATING IMPELLER CAN CAUSE SEVERE INJURY**

WARNING: Stop the engine/motor before installing or removing nozzles, or before cleaning or performing any maintenance. Do not put hands or other objects into fan housing. Keep hands and feet away from rotating impeller.

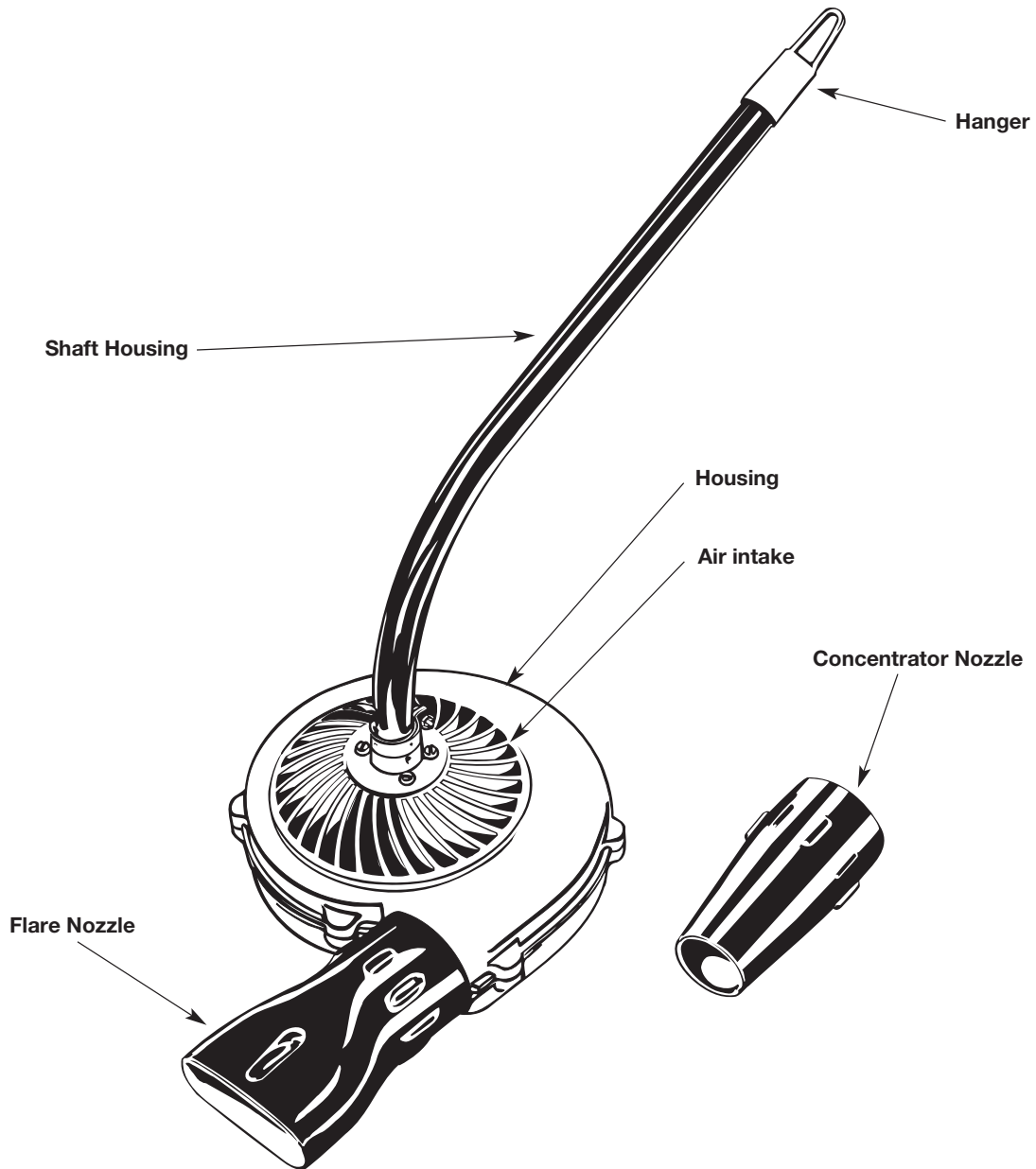
RULES FOR SAFE OPERATION

KNOW YOUR UNIT

APPLICATIONS

With Turbo Blower Add-On:

- Up to 145 MPH Velocity Air Flow for Fast Clearing of Large Areas.
- Flare Nozzle for Large Areas.
- Concentrated Nozzle for Hard to Reach Places.



OPERATING INSTRUCTIONS

ASSEMBLING THE COUPLER

The following TrimmerPlus® Add-Ons are also available for your unit:

AeroFlex™ TrimmerAF720
BrushcutterBC720*
Bladed PrunerBP720
Blower TrimmerBT720*
Blower VacuumBV720
Garden CultivatorGC720
Lawn EdgerLE720
Articulating Hedge TrimmerAH720*
Pole SawPS720
Snow ThrowerST720
Straight Shaft TrimmerSS725

* Do NOT use this add-on with an electric powered product.



WARNING: Read and understand operator's manual for unit to be used with this add-on prior to operation.

Removing the add-on:

1. Turn the knob counterclockwise to loosen (Fig. 1).
2. Press and hold the release button (Fig. 1).
3. While firmly holding the upper shaft housing, pull the turboblower attachment out of the coupler (Fig. 2).

Installing the add-on:



WARNING: To avoid serious personal injury and damage to the unit, shut unit off before removing or installing add-ons.

NOTE: To make installing or removing the add-on easier, place the unit on the ground or on a work bench.

1. Remove the hanger from the top of the shaft housing.
2. Turn knob counterclockwise to loosen (Fig. 1).
3. While firmly holding the add-on, push it straight into the coupler (Fig. 2).

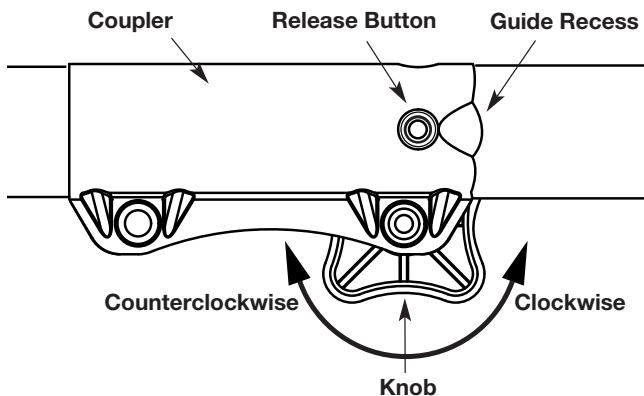


Fig. 1

NOTE: Aligning the release button with the guide recess will help installation (Fig. 1).

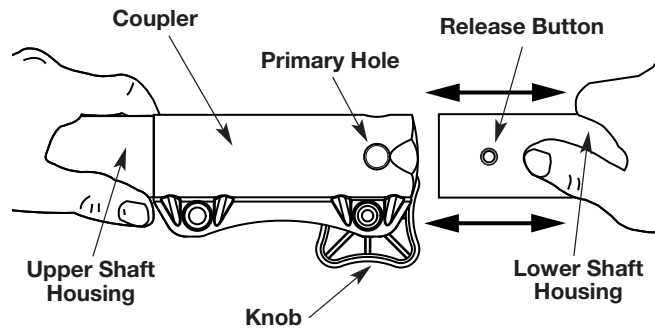


Fig. 2

3. Turn the knob clockwise to tighten (Fig. 3).



CAUTION: Lock the release button in the primary hole (Fig. 2) and securely tighten the knob before operating this unit.

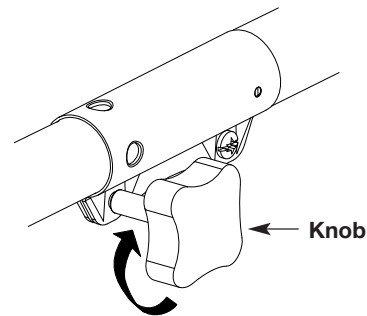


Fig. 3



CAUTION: The add-ons with the coupler system are to be used in the primary hole only. Using the wrong hole could lead to personal injury or damage to the unit.

The turbo blower add-on should be installed with the release button in the **primary hole**.

Check Flex Shaft Engagement Prior to Using

1. Start the unit.
2. Briefly engage and release the trigger.
3. Check that add-on is operating.
4. If the add-on is not operating, remove add-on and repeat steps for installing the add-on.
5. Recheck operation of add-on.

OPERATING INSTRUCTIONS



WARNING: To avoid serious personal injury, do not insert hands into nozzles when removing or installing them.



WARNING: To reduce the risk of injury, disconnect power source before removing nozzles.

INTERCHANGING NOZZLES

Use the following instructions to attach or interchange the two nozzles (Figs. 4 and 5).

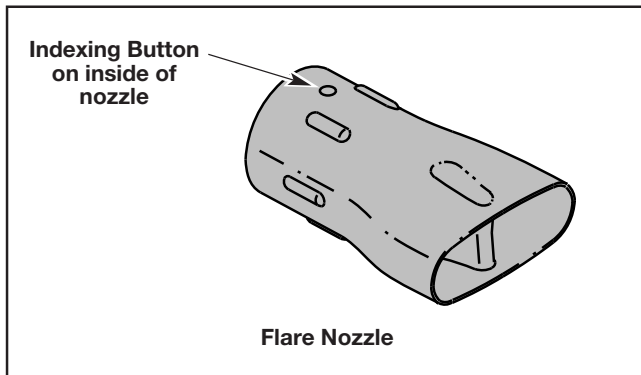


Fig. 4

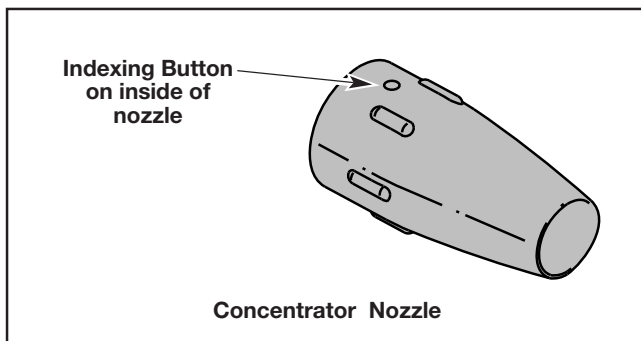


Fig. 5

INSTALLING FLARE OR CONCENTRATOR NOZZLE ONTO BLOWER HOUSING

1. Align the indexing button on the inside of the nozzle with the detent on the housing (Fig. 6).
2. Push the nozzle onto the housing and turn the nozzle clockwise until it locks (Fig. 7).

NOTE: Make sure the nozzles are installed properly, with indexing button facing up, before operating the unit.

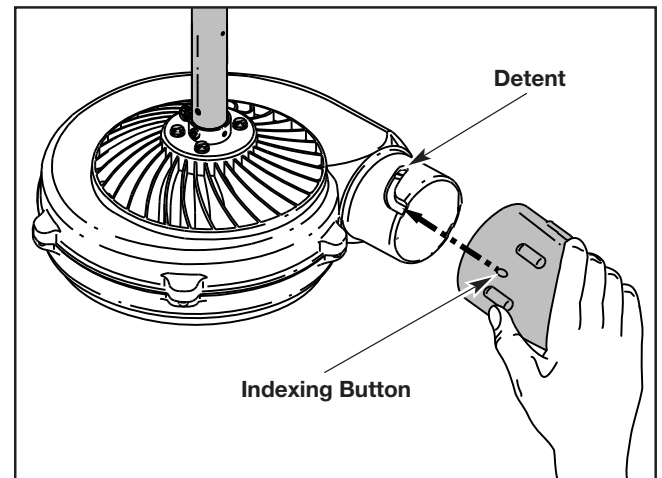


Fig. 6

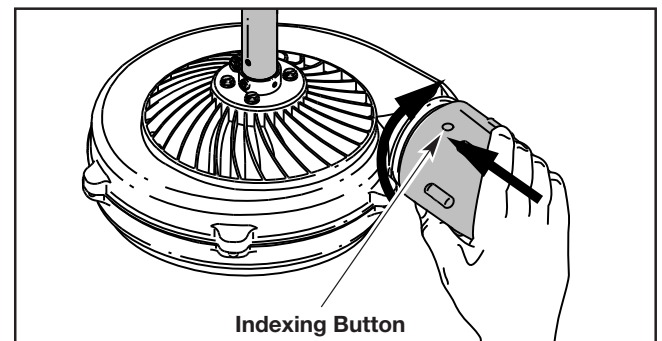


Fig. 7

OPERATING INSTRUCTIONS

REMOVING FLARE OR CONCENTRATOR NOZZLE FROM BLOWER HOUSING

1. Grasp the nozzle and turn it counterclockwise approximately 45° until the indexing button on the inside of the nozzle snaps out of the detent in the blower housing (Fig. 8). Pull the nozzle off of the blower housing.

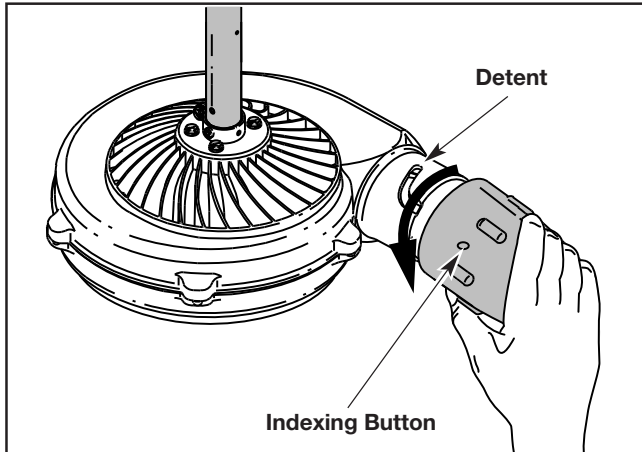


Fig. 8

USING THE CONCENTRATOR NOZZLE

Use the concentrator nozzle for hard to reach places such as corners in a garage or to control dust in a dust laden environment (Fig. 10).

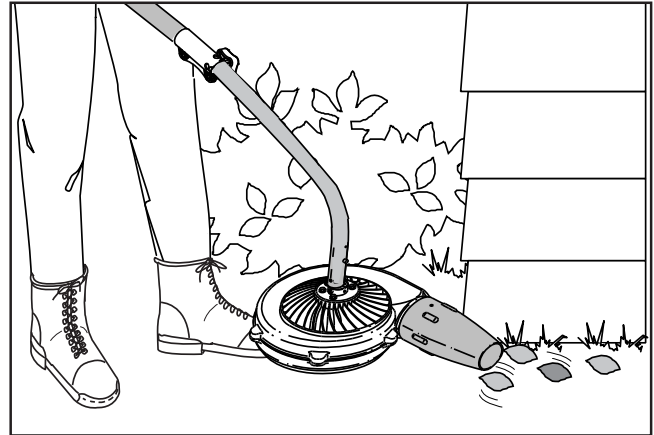


Fig. 10

USING THE FLARE NOZZLE

Use the flare nozzle for large, hard surfaces such as driveways and sidewalks (Fig. 9).

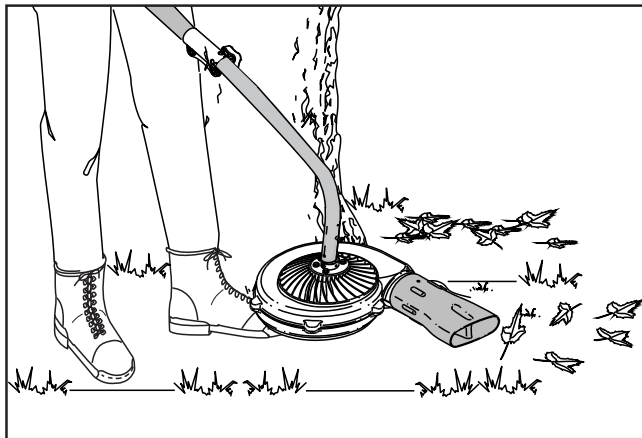


Fig. 9

MAINTENANCE AND REPAIR INSTRUCTIONS

STORAGE

- Check unit before storage to be sure the equipment is in safe working condition.
- Stop the engine or motor.
- Store the unit indoors, in a dry and locked place, out of the reach of children.
- Maintain or replace safety and instruction labels, as necessary.

For gas powerhead units:

- Allow the unit to cool before storing in any enclosure.
- Drain fuel from unit. Never store the unit with fuel in the fuel tank inside a building where ignition sources are present such as hot water and space heaters, clothes dryers, etc.

TRANSPORTING

- Allow the unit to cool before transporting.
- Secure the unit while transporting.

For gas powerhead units:

- Drain fuel from unit.
- Tighten fuel cap before transporting.

SPECIFICATIONS

TURBO BLOWER ADD-ON

Weight of Attachment:3.375 lbs. (1.531 kg)
Drive Shaft HousingSteel Tube
Air VelocityUp to 145 MPH

MANUFACTURER'S LIMITED WARRANTY FOR:

TrimmerPlus®

The limited warranty set forth below is given by MTD LLC ("MTD") with respect with new merchandise purchased and used in the United States, its possessions and territories.

MTD warrants this product against defects in material and workmanship for a period of two (2) years commencing on the date of original purchase and will, at its option, repair or replace, free of charge, any part found to be defective in material or workmanship. This limited warranty shall only apply if this product has been operated and maintained in accordance with the Operator's Manual furnished with the product, and has not been subject to misuse, abuse, commercial use, neglect, accident, improper maintenance, alteration, vandalism, theft, fire, water, or damage because of other peril or natural disaster. Damage resulting from the installation or use of any accessory or attachment not approved by MTD for use with the product(s) covered by this manual will void your warranty as to any resulting damage.

This warranty is limited to ninety (90) days from the date of original retail purchase for any MTD product that is used for rental or commercial purposes, or any other income-producing purpose.

HOW TO OBTAIN SERVICE: Warranty service is available, WITH PROOF OF PURCHASE THROUGH YOUR LOCAL AUTHORIZED SERVICE DEALER. To locate the dealer in your area, please check for a listing in the Yellow Pages or contact the Customer Service Department of MTD LLC by calling **1-800-345-8746** or writing to P.O. Box 361131, Cleveland, OH 44136-0019 or if in Canada call **1-800-668-1238**. No product returned directly to the factory will be accepted unless prior written permission has been extended by the Customer Service Department of MTD LLC.

This limited warranty does not provide coverage in the following cases:

- A. Wear items - Bump Knobs, Outer Spools, Cutting Line, Inner Reels, Starter Pulley, Starter Ropes, Drive Belts
- B. MTD does not extend any warranty for products sold or exported outside of the United States of America, its possessions and territories, except those sold through MTD's authorized channels of export distribution

MTD reserves the right to change or improve the design of any TrimmerPlus® Product without assuming any obligation to modify any product previously manufactured.

No implied warranty, including any implied warranty of merchantability or fitness for a particular purpose, applies after the applicable period of express written warranty above as to the parts as identified. No other express warranty or guaranty, whether written or oral, except as mentioned above, given by any person or entity, including a dealer or retailer, with respect to any product shall bind MTD. During the period of the Warranty, the exclusive remedy is repair or replacement of the product as set forth above. (Some states do not allow limitations on how long an implied warranty lasts, so the above limitation may not apply to you.)

The provisions as set forth in this Warranty provide the sole and exclusive remedy arising from the sales. MTD shall not be liable for incidental or consequential loss or damages including, without limitation, expenses incurred for substitute or replacement lawn care services, for transportation or for related expenses, or for rental expenses to temporarily replace a warranted product. (Some states do not allow limitations on how long an implied warranty lasts, so the above limitation may not apply to you.)

In no event shall recovery of any kind be greater than the amount of the purchase price of the product sold. Alteration of the safety features of the product shall void this Warranty. You assume the risk and liability for loss, damage, or injury to you and your property and/or to others and their property arising out of the use or misuse or inability to use the product.

This limited warranty shall not extend to anyone other than the original purchaser, original lessee or the person for whom it was purchased as a gift.

How State Law Relates to this Warranty: This warranty gives you specific legal rights, and you may also have other rights which vary from state to state.

To locate your nearest service dealer dial **1-800-345-8746** in the United States or **1-800-668-1238** in Canada.

MTD LLC

P. O. Box 361131

Cleveland, OH 44136-0019 U.S.A.

SAVE THESE INSTRUCTIONS FOR FUTURE REFERENCE.

FOR QUESTIONS CALL 1-800-345-8746 IN U.S.

OR 1-800-668-1238 IN CANADA

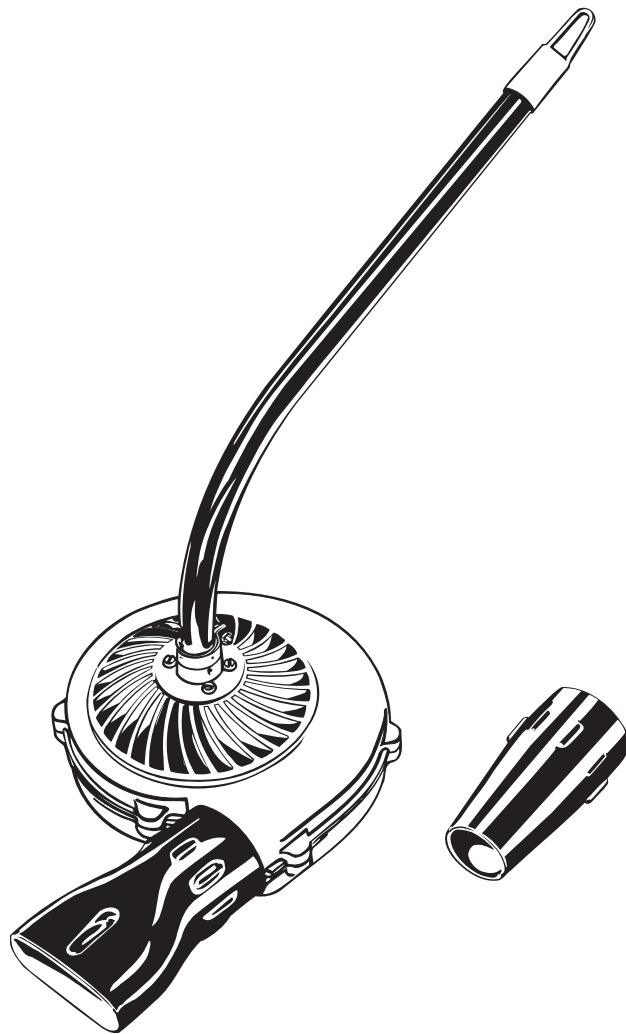
TrimmerPlus[®]

Turbosouffleuse

TB720



MANUEL DE L'UTILISATEUR



SI VOUS AVEZ DES QUESTIONS, APPELEZ LE 1-800-345-8746 aux ÉTATS-UNIS,
ou le 1-800-668-1238 au CANADA

www.TrimmerPlus.com

MANUEL IMPORTANT

À NE PAS JETER

INTRODUCTION

TOUS NOS REMERCIEMENTS

Nous vous remercions d'avoir acheté ce produit de qualité. Cet outil moderne de plein air est conçu pour vous rendre service pendant longtemps. Il vous sauvera beaucoup de temps comme vous pourrez vous en rendre compte. Ce manuel de l'utilisateur comporte un mode d'emploi facile à comprendre. Prenez soin de le lire au complet et de respecter toutes les instructions pour conserver votre outil en excellent état de fonctionnement.

RÉFÉRENCES, ILLUSTRATIONS ET SPÉCIFICATIONS RELATIVES AU PRODUIT

Toutes les informations, illustrations et spécifications contenues dans ce manuel tiennent compte des dernières informations techniques disponibles au moment de mettre sous presse. Nous nous réservons le droit de les modifier à tout moment, sans préavis.

Copyright ©2008 MTD LLC
Tous droits réservés.

TrimmerPlus^{MD} est une marque déposée de MTD LLC.

INFORMATIONS RELATIVES À L'ENTRETIEN

Tout entretien effectué sur cet appareil pendant et après la période de garantie doit être entrepris uniquement par un distributeur agréé et approuvé.

Composez :

- le **1-800-345-8746** aux États-Unis

ou

- le **1-800-668-1238** au Canada pour obtenir la liste des distributeurs agréés les plus proches de vous.

NE RETOURNEZ PAS L'APPAREIL AU DÉTAILLANT.

REMARQUE : TOUT SERVICE SOUS GARANTIE NÉCESSITE UNE PREUVE D'ACHAT.

Prenez soin de lire et de bien comprendre ce manuel avant de démarrer ou de faire fonctionner cet équipement.

CE PRODUIT EST COUVERT PAR UN OU PLUSIEURS BREVETS AMÉRICAINS, ET D'AUTRES SONT EN INSTANCE.

TABLE DES MATIÈRES

I.	Consignes de sécurité	F2-F6
A.	Importantes consignes de sécurité	F3-F4
B.	Symboles de sécurité et internationaux	F5
C.	Savoir votre unité	F6
II.	Instructions d'utilisation	F7-F9
A.	Montage du coupleur	F7
B.	Échange d'embouts	F8-F9
III.	Instructions de d'entretien	F10
A.	Entreposage	F10
B.	Transport	F10
C.	Accessoires/Pièces de rechange	F10
IV.	Caractéristiques	F11
V.	Garantie	F12
VI.	Liste des pièces	E11

CONTENU DE L'EMBALLAGE

Cet appareil comporte les éléments suivants :

- Accessoire de turbosouffleuse TB720
- Embout évasé
- Embout concentrateur
- Crochet
- Manuel de l'utilisateur

REMARQUE : ce produit est prévu pour être utilisé sur une tête d'entraînement à essence ou électrique.

AVERTISSEMENT !

Lisez le(s) manuel(s) de l'utilisateur et suivez tous les avertissements et consignes de sécurité. Vous pourriez à défaut entraîner des blessures graves pour vous ou d'autres personnes.


CONSIGNES DE SÉCURITÉ


Les symboles de sécurité attirent votre attention sur des dangers potentiels. Ces symboles et leurs détails explicatifs méritent que vous les lisiez et compreniez bien. Les avertissements de sécurité ne peuvent éviter les dangers de par eux-mêmes. Les consignes ou mises en garde qu'ils donnent ne remplacent pas des mesures préventives appropriées contre les accidents.


SYMBOLE SIGNIFICATION

 **SYMBOLE D'ALERTE DE SÉCURITÉ :** indique un danger, un avertissement ou une mise en garde. Soyez vigilant afin d'éviter toute blessure grave. Ce symbole peut être combiné à d'autres symboles ou pictogrammes.

REMARQUE : donne des informations ou des instructions vitales pour le fonctionnement ou l'entretien de l'équipement.

 **DANGER :** le non-respect d'un avertissement entraînera des blessures graves pour tous. Respectez toujours les consignes de sécurité afin de réduire les risques d'incendie, de choc électrique et de blessures.

 **AVERTISSEMENT :** le non-respect d'un avertissement peut entraîner des blessures graves pour tous. Respectez toujours les consignes de sécurité afin de réduire les risques d'incendie, de choc électrique et de blessures.

 **MISE EN GARDE :** le non-respect d'un avertissement risque d'entraîner des dommages matériels ou des blessures graves pour tous. Respectez toujours les consignes de sécurité afin de réduire les risques d'incendie, de choc électrique et de blessures.

CONSIGNES DE SÉCURITÉ

• IMPORTANTES CONSIGNES DE SÉCURITÉ •

LISEZ TOUTES LES INSTRUCTIONS



AVERTISSEMENT : suivez soigneusement les consignes de sécurité lorsque vous utilisez cet appareil. Dans l'intérêt de votre sécurité et de celle des personnes à proximité, prenez soin de lire ces instructions avant de faire fonctionner la machine. Veuillez garder les instructions en lieu sûr pour usage ultérieur.

AVANT L'UTILISATION

- Prenez soin de bien lire et comprendre le manuel de l'appareil qui alimente cet accessoire.
- Veuillez lire le manuel de l'utilisateur attentivement. Familiarisez-vous avec les commandes et l'utilisation correcte de l'appareil. Sachez comment arrêter l'appareil et désactiver les commandes rapidement.
- N'utilisez pas l'appareil si vous êtes fatigué, malade ou sous l'effet de l'alcool, de drogues ou de médicaments.
- Ne laissez pas les enfants faire fonctionner l'appareil. Ne laissez jamais des adultes qui ne se sont pas familiarisés avec les instructions utiliser l'appareil. Ne laissez jamais des adultes n'ayant jamais reçu les instructions nécessaires faire fonctionner l'appareil.
- Tous les accessoires de sécurité et protections doivent être correctement installés avant d'utiliser cet appareil.
- Inspectez l'appareil avant utilisation.
- Gardez l'ouverture de prise d'air exempte de débris.
- Dégagez la zone avant chaque utilisation. Enlevez tous les objets pouvant être projetés ou happés par l'accessoire : cailloux, verre brisé, clous, fil ou ficelle.

AVERTISSEMENTS DE SÉCURITÉ SPÉCIAUX POUR LES TÊTES D'ENTRAÎNEMENT À ESSENCE ET LES TURBOSOUFFLEUSES

AVERTISSEMENT: l'essence est extrêmement inflammable et ses vapeurs peuvent exploser si on y met le feu. Veuillez prendre les précautions suivantes :

- Ne stockez le carburant que dans des contenants spécialement conçus et homologués pour le stockage de ce type de matières.
- Arrêtez toujours le moteur et laissez-le refroidir avant de remplir le réservoir de carburant. N'enlevez jamais le bouchon du réservoir et n'ajoutez jamais de carburant pendant que le moteur est chaud. Ne faites jamais fonctionner l'appareil sans que le bouchon de carburant soit bien mis. Desserrez lentement le bouchon afin de réduire la pression du réservoir.
- Mélangez et ajoutez le carburant dans un endroit bien aéré et propre en plein air à l'abri des étincelles ou des flammes. N'enlevez lentement le bouchon du réservoir d'essence qu'après avoir arrêté le moteur. Ne fumez pas pendant le remplissage ou le mélange de carburant. Essuyez immédiatement tout déversement de carburant de l'appareil.
- Évitez de créer une source d'allumage pour le carburant déversé. Ne démarrez pas le moteur avant que les vapeurs de carburant ne se soient dissipées.

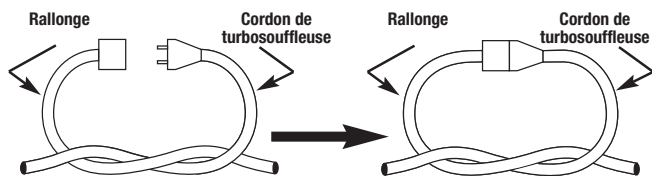
- Éloignez l'appareil d'au moins 9,1 m (30 pi) de la source de ravitaillement en carburant avant de démarrer le moteur. Ne fumez pas et éloignez toute source d'étincelles ou de flammes vives du lieu de ravitaillement ou de fonctionnement de l'appareil.
- Évitez de démarrer ou de faire marcher l'appareil à l'intérieur d'une pièce ou d'un bâtiment fermé. La respiration de fumées d'échappement peut tuer. Ne faites fonctionner cet appareil qu'à l'extérieur, dans un endroit bien aéré.

AVERTISSEMENTS DE SÉCURITÉ SPÉCIAUX POUR LES TÊTES D'ENTRAÎNEMENT ÉLECTRIQUES ET LES TURBOSOUFFLEUSES



AVERTISSEMENT : afin de diminuer les risques d'électrocution, utilisez uniquement des rallonges homologuées pour l'usage à l'extérieur : type SW-A, SOW-A, STW-A, STOW-A, SJW-A, SJOW-A, SJTW-W ou SJTOW-A. Vous pourrez vous en procurer chez votre détaillant. Utilisez uniquement des rallonges à prise ronde, homologuées pour l'usage à l'extérieur.

- **CORDONS :** assurez-vous que votre cordon est en bon état et assez solide pour transporter le courant nécessaire à l'appareil. Il peut sinon provoquer une chute de tension entraînant une panne de courant et une surchauffe. Reportez-vous au calibre de cordon recommandé dans le manuel de l'utilisateur de l'appareil motorisé.
- Inspectez régulièrement toutes les rallonges ainsi que la connexion d'alimentation de l'appareil. Soyez à l'affût de signes de détérioration, de coupures ou de fissures dans l'isolation. Vérifiez aussi que les connexions ne sont pas endommagées.
- Évitez que la tête d'entraînement de la têtes d'entraînement électriques ne se déconnecte de la rallonge en utilisant une sangle de fixation ou un connecteur de retenue de la fiche et de la prise, ou en faisant un nœud comme indiqué ci-dessous:



- Évitez les lieux dangereux. N'utilisez jamais l'appareil dans des conditions humides ou mouillées. L'humidité peut provoquer l'électrocution.
- N'utilisez pas l'appareil sous la pluie. Ne l'utilisez pas à proximité de l'eau.
- Ne manipulez pas la prise ou l'appareil les mains mouillées ou debout sur une surface mouillée.
- Ne laissez pas l'appareil branché quand il ne sert pas, lors d'un entretien ou d'un changement d'accessoires.

CONSIGNES DE SÉCURITÉ

PENDANT L'UTILISATION DE L'APPAREIL

- Tenez les visiteurs, surtout les enfants et les animaux familiers à une distance d'au moins 15 m (50 pi).
- Portez des lunettes de sécurité conformes aux normes ANSI Z87.1–1989 ainsi que des protège-oreilles durant l'utilisation de l'appareil. Portez un masque facial ou antipoussières si vous travaillez dans un lieu poussiéreux.
- Portez des pantalons épais et longs, des bottes, des gants et une chemise à manches longues. Ne marchez pas pieds nus et évitez les vêtements lâches, bijoux, pantalons courts et sandales. Relevez les cheveux au-dessus des épaules.
- N'utilisez l'appareil qu'en plein jour ou avec un bon éclairage artificiel.
- Utilisez les outils appropriés. N'employez l'outil que pour son usage prévu.
- Ne vous étirez pas et faites très attention lorsque vous travaillez sur des pentes ou inclinaisons abruptes. Tenez-vous toujours bien campé, en position d'équilibre.
- Tenez toujours l'appareil des deux mains lorsque vous le faites marcher. Agrippez fermement les poignées avant et arrière.
- Lorsque vous aspirez, gardez l'ouverture de prise d'air exempte de débris.
- Ne faites jamais marcher l'appareil sans que l'embout soit mis.
- N'essayez jamais de déboucher un prise d'air pendant que le moteur est en marche.
- Ne forcez pas l'appareil. Il posera moins de risques de blessures et fonctionnera mieux à la vitesse pour laquelle il a été conçu.
- Ne faites pas tourner le moteur à un régime supérieur à celui nécessaire pour la tâche. Ne faites pas tourner le moteur à haut régime lorsqu'il ne sert pas.
- Arrêtez toujours l'appareil si vous suspendez la coupe ou si vous vous déplacez d'un lieu de travail vers un autre.
- Si vous heurtez ou happez un corps étranger, arrêtez le moteur immédiatement et vérifiez que rien n'a été endommagé. Réparez tout dommage éventuel avant de poursuivre le travail.
- Arrêtez le moteur IMMÉDIATEMENT si vous ressentez une vibration excessive car cela indique un problème. Vérifiez soigneusement qu'il n'y a ni écrous ni boulons desserrés, ni aucun dommage avant de continuer. Réparez ou remplacez au besoin les pièces affectées.

- Arrêtez et éteignez l'appareil dans ces cas-ci : entretien, réparation, changement d'accessoires. L'appareil et les hélice doivent être arrêtés pour éviter toute blessure.
- Utilisez uniquement des pièces de rechange et accessoires MTD d'origine pour cet appareil. Vous les trouverez auprès de votre distributeur agréé. L'utilisation de pièces ou d'accessoires autres que ceux de MTD peut causer des blessures graves ou endommager l'appareil et annuler sa garantie.

AUTRES AVERTISSEMENTS DE SÉCURITÉ

- Laissez l'appareil refroidir avant de l'entreposer ou de le transporter. Attachez bien l'appareil pendant le transport.
- Rangez l'appareil dans un lieu sec, verrouillé ou élevé pour éviter les accidents ou une utilisation non autorisée. Gardez hors de portée des enfants.
- Ne trempez et n'arrosez jamais l'appareil avec de l'eau ou un liquide quelconque. Gardez les poignées sèches, propres et exemptes de débris. Nettoyez l'appareil et les étiquettes avec une éponge humide. Nettoyez après chaque utilisation.
- Conservez ces instructions. Consultez-les souvent et servez-vous en pour instruire d'autres usagers. Si vous prêtez l'appareil à quelqu'un, prêtez-lui également ces instructions.
- Les réparations ou les procédures d'entretien qui ne sont pas décrites dans le manuel doivent être strictement confiées à des techniciens qualifiés.
- Vérifiez à intervalles fréquents que les boulons des forces à tondre et les boulons de montage du moteur et autres sont bien serrés afin de vous assurer que l'équipement fonctionne correctement.
- À l'intérieur d'un bâtiment, rangez l'appareil à l'écart des sources d'allumage. Laissez le moteur refroidir avant de l'entreposer dans une enceinte.
- Reportez-vous toujours aux importantes instructions du manuel de l'utilisateur si vous prévoyez d'entreposer l'appareil pendant une durée prolongée.
- N'essayez pas de réparer l'appareil à moins de disposer des outils appropriés et des instructions de démontage et de réparation de la machine.

CONSERVEZ CES INSTRUCTIONS

CONSIGNES DE SÉCURITÉ

SYMBOLES DE SÉCURITÉ ET INTERNATIONAUX

Ce manuel d'utilisation décrit les symboles et pictogrammes de sécurité et internationaux pouvant apparaître sur ce produit. Consulter le manuel d'utilisation pour les informations concernant la sécurité, l'assemblage, le fonctionnement, l'entretien et les réparations.

SYMBOLE

SIGNIFICATION



• SYMBOLE D'ALERTE DE SÉCURITÉ

Indique un danger, un avertissement ou une mise en garde. Ce symbole peut être combiné à d'autres symboles ou pictogrammes.



• AVERTISSEMENT - LISEZ LE MANUEL DE L'UTILISATEUR

Lisez le manuel de l'utilisateur et suivez tous les avertissements et consignes de sécurité. Vous pourriez à défaut entraîner des blessures graves pour vous ou d'autres personnes.



• PORTEZ DES PROTECTIONS (YEUX ET OREILLES)

AVERTISSEMENT : les outils motorisés peuvent projeter des objets et faire beaucoup de bruit, ce qui peut gravement blesser les yeux et endommager l'ouïe. Portez toujours des lunettes de sécurité conformes aux normes ANSI Z87.1-1989 ainsi que des protège-oreilles durant l'utilisation de l'appareil. Protégez-vous le visage avec un masque intégral au besoin.



• ÉLOIGNEZ LES SPECTATEURS

AVERTISSEMENT : éloignez les spectateurs, les enfants et les animaux domestiques en particulier, d'au moins 15 m (50 pi) de la zone de coupe.



• LES OBJETS PROJÉTÉS PEUVENT INFLIGER DES BLESSURES GRAVES

AVERTISSEMENT : ne faites pas fonctionner l'appareil sans les accessoires et protections nécessaires.



• SOUFFLEUSE/ASPIRATEUR – L'HÉLICE ROTATIVE PEUT INFLIGER DES BLESSURES GRAVES

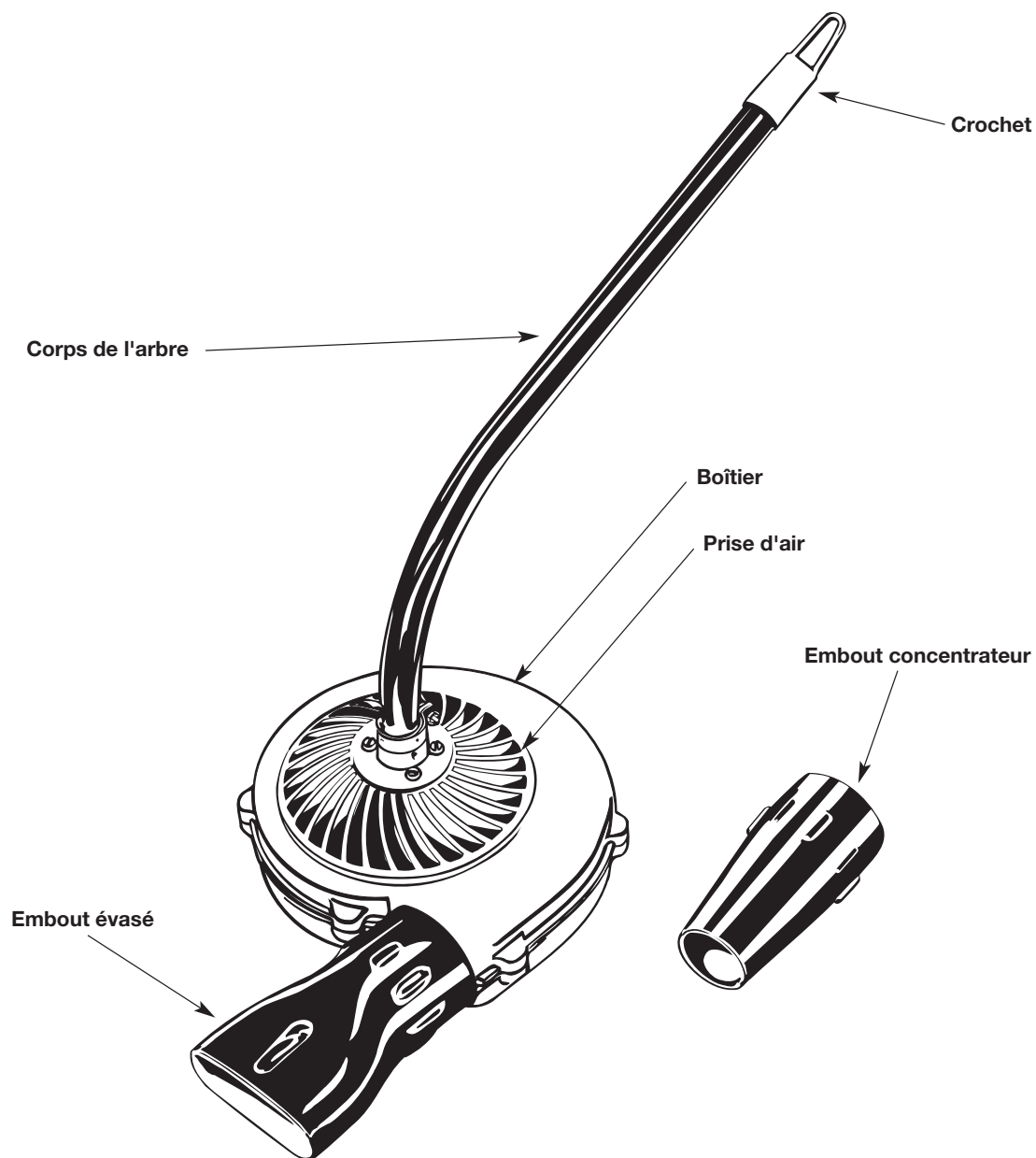
AVERTISSEMENT : arrêtez le moteur avant d'installer ou de changer le embout et avant toute opération de nettoyage, d'entretien ou de réparation. Ne mettez pas les mains ou un autre objet dans le boîtier du ventilateur. Gardez les mains et les pieds éloignés de l'hélice en rotation.

SAVOIR VOTRE UNITÉ

APPLICATIONS

Avec l'accessoire de turbosouffleuse :

- Vitesse de l'air de 235 km/h (145 mi/h) max. permettant de nettoyer de larges surfaces.
- Embout évasé pour les larges surfaces.
- Embout concentrateur pour emplacements difficiles d'accès.



INSTRUCTIONS D'UTILISATION

MONTAGE DU COUPLEUR

Les accessoires TrimmerPlus® suivants sont également disponibles pour votre appareil :

AeroFlex™ débroussailleuse	AF720
Débroussailleuse.....	BC720*
L'élagueuse à lame circulaire	BP720
Souffleuse / débroussailleuse	BT720*
Souffleuse / aspirateur.....	BV720
Motobineuse de jardin	GC720
Coupe-bordures pour gazon.....	LE720
Taille-haie articulés	AH720*
Scie à long manche	PS720
Souffleuse à neige	ST720
Débroussailleuse à arbre droit.....	SS725

* N'utilisez PAS cet accessoire avec un produit électrique.



AVERTISSEMENT : veuillez bien assimiler le manuel des accessoires avant utilisation.

Retrait de l'accessoire :

1. Dévissez le bouton vers la gauche (Fig. 1).
2. Appuyez sur le bouton de déclenchement et maintenez-le enfoncé (Fig. 1).
3. Tenez fermement le corps de l'arbre supérieur et retirez l'accessoire de turbosouffleuse ou autre du coupleur (Fig. 2).

Installation de l'accessoire :



AVERTISSEMENT : pour éviter des blessures graves, éteignez l'appareil avant d'enlever ou d'installer des accessoires.

REMARQUE : pour faciliter l'installation ou le retrait d'accessoires, placez l'appareil au sol ou sur un établi.

1. Enlevez le crochet de la partie supérieure du corps de l'arbre.
2. Dévissez le bouton vers la gauche (Fig. 1).
3. Tenez fermement l'accessoire et enfoncez-le tout droit dans le coupleur (Fig. 2).

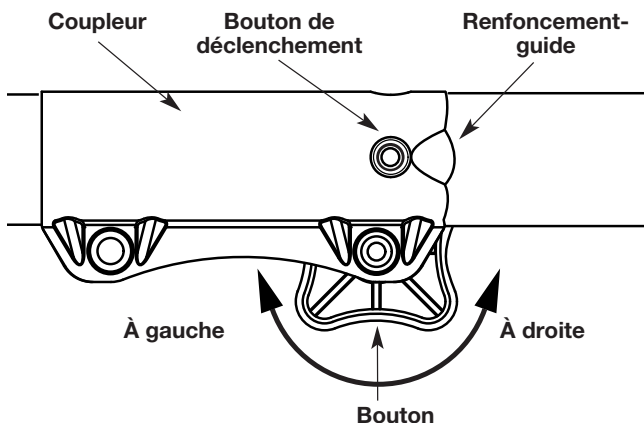


Fig. 1

REMARQUE : Alignez le bouton de déclenchement avec le renforcement-guide pour faciliter l'installation (Fig. 1).

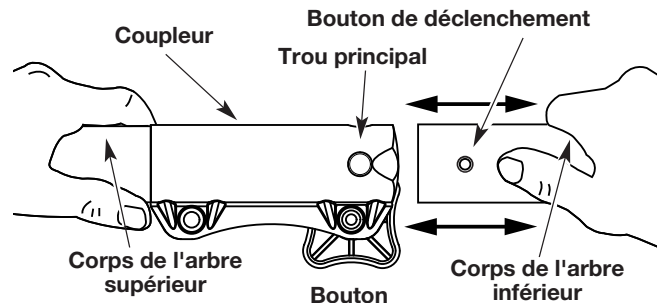


Fig. 2

3. Serrez le bouton en le tournant à droite (Fig. 3).



MISE EN GARDE : verrouillez le bouton de déclenchement dans le trou principal (Fig. 2) et vissez bien le bouton avant de faire marcher l'appareil.

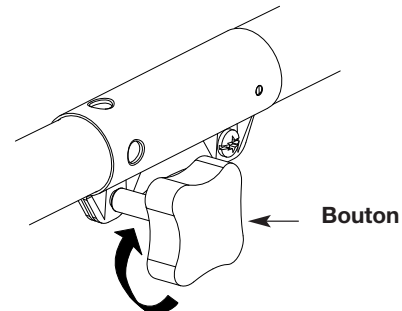


Fig. 3



MISE EN GARDE : les accessoires avec coupleur doivent utiliser le trou principal uniquement. L'utilisation du mauvais trou pourrait causer des blessures ou endommager l'appareil.

L'accessoire de turbosouffleuse doit être installé avec le bouton de déclenchement dans le **trou principal**

Vérifiez que le bras flexible est bien engagé avant l'utilisation

1. Démarrez l'appareil.
2. Appuyez brièvement sur la détente, puis relâchez-la.
3. Vérifiez le fonctionnement de l'accessoire.
4. S'il ne fonctionne pas, retirez-le et répétez la procédure d'installation.
5. Vérifiez de nouveau le fonctionnement de l'accessoire.

INSTRUCTIONS D'UTILISATION



AVERTISSEMENT : pour éviter des blessures graves, ne mettez pas les mains dans les embouts lorsque vous retirez ou installez ceux-ci.

ÉCHANGE D'EMBOUTS

Suivez les instructions suivantes pour fixer ou échanger les deux embouts (Fig. 4 et 5).

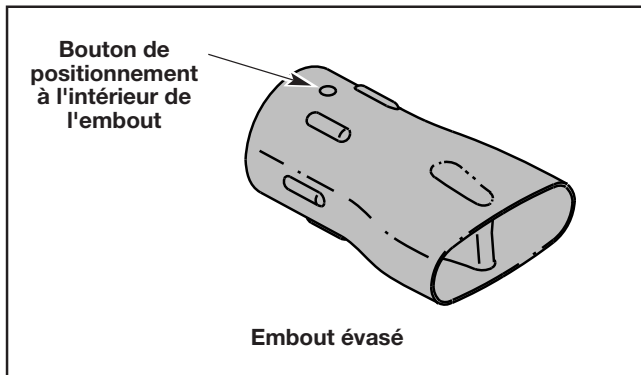


Fig. 4

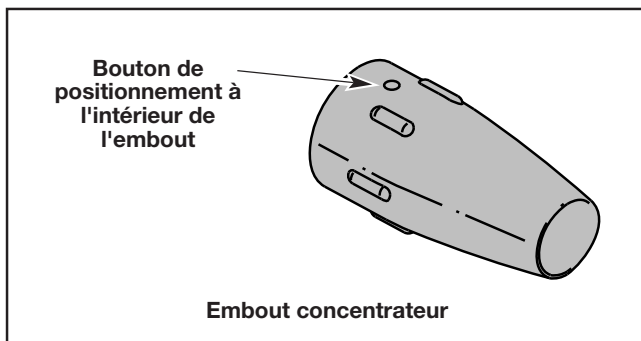


Fig. 5



AVERTISSEMENT : pour réduire les risques de blessures, débranchez l'appareil avant de retirer les embouts.

INSTALLATION DE L'EMBOUT ÉVASÉ OU CONCENTRATEUR SUR LE BOÎTIER DE LA SOUFFLEUSE

1. Alignez le bouton de positionnement à l'intérieur de l'embout avec la détente sur le boîtier (Fig. 6).
2. Enfoncez l'embout dans le boîtier et tournez-le dans le sens des aiguilles d'une montre jusqu'à ce qu'il soit verrouillé. (Fig. 7)

REMARQUE : avant d'utiliser l'appareil, assurez-vous que les embouts sont installés correctement, bouton de positionnement dirigé vers le haut.

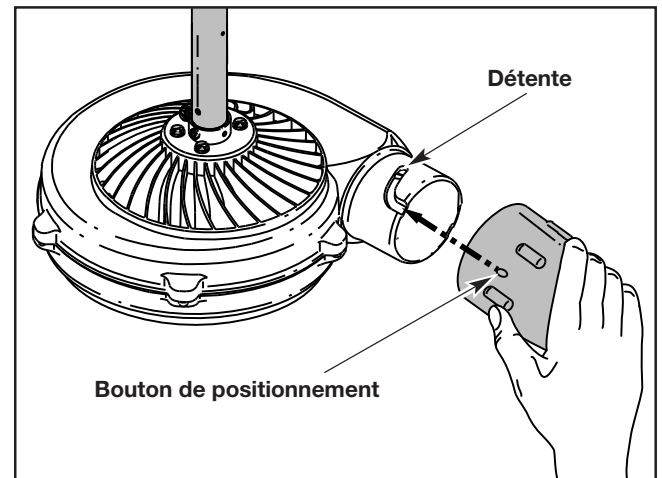


Fig. 6

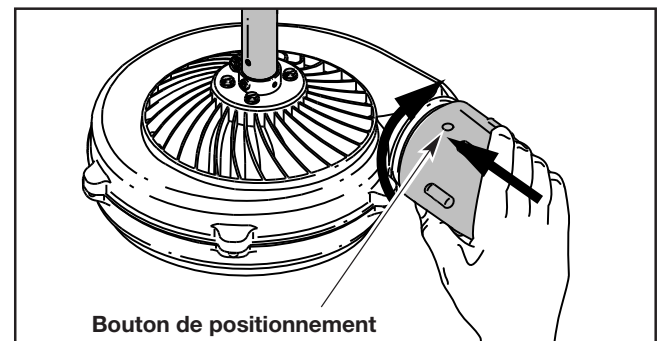


Fig. 7

INSTRUCTIONS D'UTILISATION

RETRAIT DE L'EMBOU ÉVASÉ OU CONCENTRATEUR DU BOÎTIER DE LA SOUFFLEUSE

1. Saisissez l'embout et tournez-le dans le sens contraire des aiguilles d'une montre d'environ 45° jusqu'à ce que le bouton de positionnement à l'intérieur de l'embout sorte de la détente dans le boîtier de la souffleur (Fig. 8). Tirez l'embout du boîtier de la souffleur.

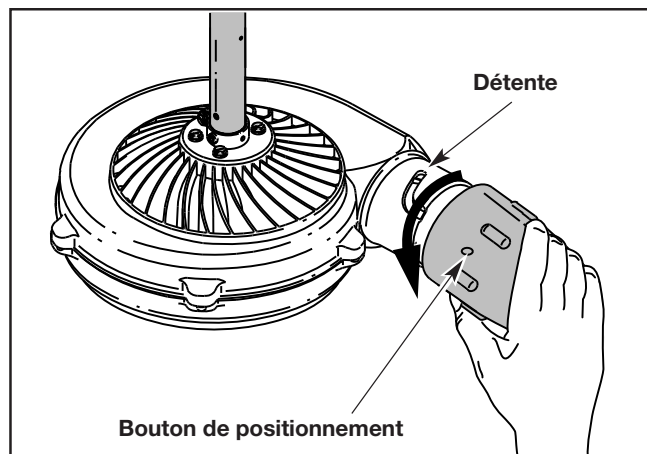


Fig. 8

UTILISATION DE L'EMBOU CONCENTRATEUR

Utilisez l'embout concentrateur pour les emplacements difficiles d'accès, tels les coins dans un garage, ou pour contrôler la poussière dans un environnement poussiéreux (Fig. 10).

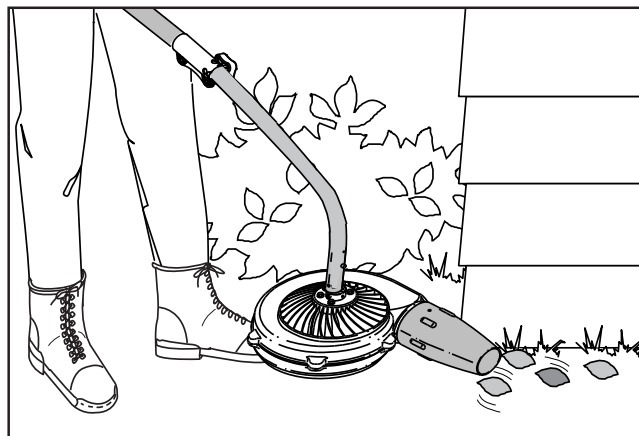


Fig. 10

UTILISATION DE L'EMBOU ÉVASÉ

Utilisez l'embout évasé pour les grandes surfaces dures telles une entrée de garage ou un trottoir (Fig. 9).

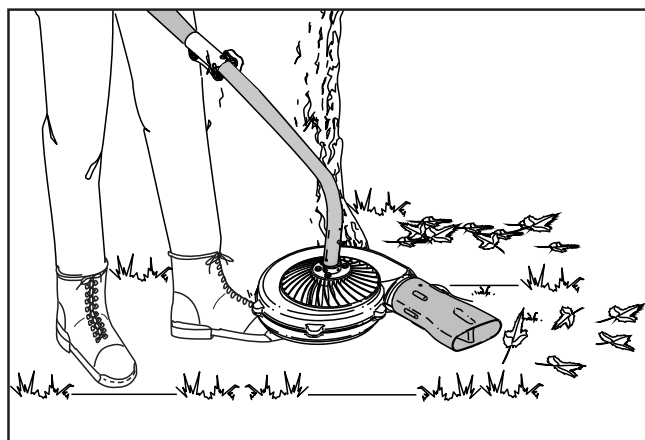


Fig. 9

INSTRUCTIONS D'ENTRETIEN ET RÉPARATIONS

ENTREPOSAGE

- Vérifiez l'appareil avant de le ranger pour vous assurer qu'il est en bon état de fonctionnement.
- Arrêtez le moteur.
- Rangez l'appareil à l'intérieur, dans un lieu sec et verrouillé, hors de portée des enfants.
- Conservez les étiquettes de sécurité et d'utilisation ou remplacez-les au besoin.

Pour les unités à tête d'entraînement à essence :

- Laissez l'appareil refroidir avant de l'entreposer dans une enceinte.
- Vidangez tout le carburant de l'appareil. Ne rangez jamais l'appareil avec du carburant dans le réservoir à l'intérieur d'un bâtiment où se trouvent des sources potentielles d'allumage tels que des radiateurs à eau chaude ou indépendants, des sècheuses, etc.

TRANSPORT

- Laissez le moteur refroidir avant de l'entreposer.
- Attachez bien l'appareil lors du transport.

Pour les unités à tête d'entraînement à essence :

- Videz tout le carburant de l'appareil.
- Serrez le bouchon du réservoir avant le transport.

CARACTÉRISTIQUES

ACCESSOIRE DE TURBOSOUFFLEUSE

Poids de l'accessoire :1,531 kg (3,375 lb)
Logement de l'arbre d'entraînementTube en acier
Vitesse de l'air235 km/h (145 mph) max.

GARANTIE LIMITÉE DU FABRICANT POUR :

TrimmerPlus®

La garantie limitée énoncée ci-après est accordée par MTD LLC (« MTD ») et concerne les marchandises neuves achetées et utilisées aux États-Unis, ainsi que dans leurs possessions et territoires.

MTD garantit ce produit contre tout vice de matière ou de façon pendant une période de deux (2) ans à compter de la date d'achat initiale et elle se réserve le choix de réparer ou de remplacer, à titre gratuit, toute pièce présentant un vice de matière ou de façon. Cette garantie limitée ne s'appliquera que dans la mesure où le produit aura été utilisé et entretenu conformément au Guide de l'utilisateur fourni avec le produit et n'aura pas fait l'objet d'un usage inadéquat, abusif, commercial ou négligent, d'un accident, d'un entretien inadéquat, d'une modification, de vandalisme, d'un vol, d'un incendie, de dégâts des eaux ou d'un endommagement résultant d'un autre péril ou d'un désastre naturel. Les dommages résultants de l'installation ou de l'utilisation de tout accessoire ou équipement non approuvé par MTD pour une utilisation avec le(s) produit(s) couvert(s) par le présent guide annuleront la garantie en ce qui concerne les dommages qui en résulteraient éventuellement.

La présente garantie est limitée à quatre-vingt-dix (90) jours à compter de la date d'achat au détail primitive pour tout produit MTD utilisé à des fins locatives ou commerciales, ou toute utilisation produisant des revenus.

POUR L'ENTRETIEN-DEPANNAGE : l'entretien-dépannage au titre de la garantie est disponible, SUR PRÉSENTATION DE PREUVE D'ACHAT, AUPRÈS DU DISTRIBUTEUR RÉPARATEUR LOCAL. Pour obtenir le nom du distributeur local, consulter les Pages Jaunes ou se mettre en rapport avec le Service après-vente de MTD LLC en appelant le **1-800-345-8746** ou en écrivant au P.O. Box 361131, Cleveland, OH 44136-0019 ou en appelant le **1-800-668-1238** au Canada. Aucun produit retourné à l'usine sans permission écrite préalable du service après-vente de MTD LLC ne sera accepté.

La garantie limitée n'offre aucune couverture dans les cas suivants :

- A. Articles d'usure – Bouton de butée, bobines extérieures, fil de coupe, bobines intérieures, poulie de démarrage, cordons de démarrage, courroies d'entraînement.
- B. MTD n'accorde aucune garantie pour les produits vendus ou exportés des États-Unis, de leurs possessions et territoires, exception faite en ce qui concerne les produits vendus par l'intermédiaire de ses canaux agréés de distribution à l'exportation.

MTD se réserve le droit de modifier ou d'améliorer la conception de tout produit TrimmerPlus^{MD} sans assumer l'obligation de modifier tout produit d'une fabrication plus ancienne.

Aucune garantie implicite, y compris toute garantie de valeur marchande ou d'adaptation à une fin particulière, ne s'applique après la période applicable de garantie expresse écrite ci-dessus concernant les pièces qui sont identifiées. Aucune autre garantie ou caution expresse, écrite ou orale, à l'exception de celle mentionnée ci-dessus, accordée par toute personne ou entité, y compris tout distributeur ou détaillant, concernant tout produit n'engagera la responsabilité de MTD. Pendant la période de garantie, le remède exclusif est la réparation ou le remplacement du produit dans les conditions énoncées ci-dessus. (Certains états ne permettent pas la limitation de la garantie implicite, il est donc possible que la limitation ci-dessus ne s'applique pas à vous.)

Les clauses énoncées dans la présente Garantie constituent le recours unique et exclusif inhérent aux ventes. MTD ne sera en aucun cas tenue pour responsable de tout dommage indirect ou consécutif ou de dommages comprenant, entre autres mais pas seulement, les dépenses encourues du fait du recours à des services de remplacement ou de substitution pour l'entretien des pelouses, le transport ou des frais connexes, ou les frais entraînés par une location destinée à remplacer provisoirement un produit sous garantie. (Certains états ne permettent pas la limitation de la garantie implicite, il est donc possible que la limitation ci-dessus ne s'applique pas à vous.)

Aucun recouvrement, quel qu'il soit, ne sera d'un montant supérieur au prix du produit vendu. Toute modification des dispositifs de sécurité du produit annulera la présente Garantie. Vous assumez tout risque et toute responsabilité résultant de la perte, de l'endommagement ou du préjudice que vous et votre propriété et/ou d'autres et leur propriété pourront encourir du fait de l'utilisation normale, de la mauvaise utilisation ou de l'impossibilité d'utiliser le produit.

La présente garantie limitée n'est accordée qu'à l'acheteur primitif, au preneur primitif ou à la personne à laquelle le produit a été offert.

Le Droit des États vis à vis de la présente garantie : la présente garantie vous confère certains droits juridiques, et vous pouvez bénéficier d'autres droits, lesquels varient d'un état à l'autre.

Pour obtenir l'adresse du distributeur réparateur le plus proche, composer le : **1-800-345-8746** aux États-Unis ou le **1-800-668-1238** au Canada.

MTD LLC

P. O. Box 361131

Cleveland, OH 44136-0019 U.S.A.

CONSERVEZ CES INSTRUCTIONS POUR TOUTE RÉFÉRENCE ULTÉRIEURE.

**POUR TOUTE QUESTION, VEUILLEZ CONTACTER LE 1-800-345-8746 AUX ÉTATS-UNIS
OU LE 1-800-668-1238 AU CANADA**

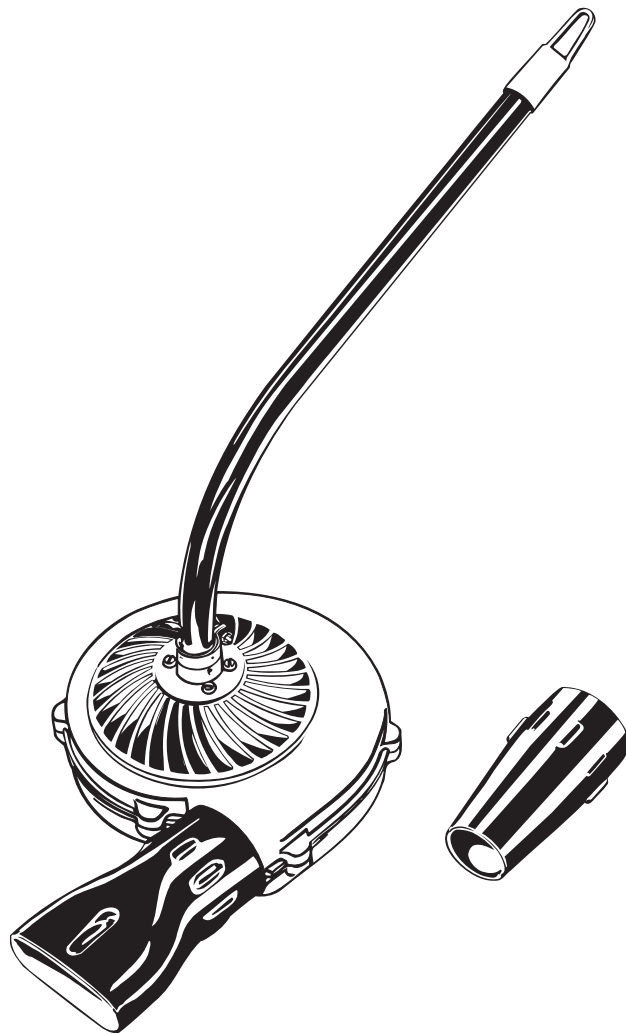
TrimmerPlus[®]

Turbosoplador



TB720

MANUAL DEL OPERADOR



SI TIENE PREGUNTAS, LLAME AL 1-800-345-8746 en EE.UU.
o al 1-800-668-1238 en CANADÁ
www.TrimmerPlus.com

ESTE MANUAL ES IMPORTANTE

NO LO DESCARTE

INTRODUCCIÓN

MUCHAS GRACIAS

Gracias por haber adquirido este gran producto. Esta moderna herramienta motriz para exteriores está diseñada para brindarle muchas horas de servicio útil. Usted comprobará que es un artefacto que le ahorrará mucho trabajo. Este manual del operador le brinda instrucciones de operación de fácil comprensión. Lea todo el manual y siga todas las instrucciones para mantener su nueva herramienta motriz de exteriores en las mejores condiciones de funcionamiento.

REFERENCIAS, ILUSTRACIONES Y ESPECIFICACIONES DEL PRODUCTO

Toda la información, las ilustraciones y las especificaciones contenidas en este manual se basan en la información más reciente disponible en el momento de impresión del manual. Nos reservamos el derecho de hacer cambios en cualquier momento sin previo aviso.

Copyright© 2008 MTD LLC
Todos los derechos reservados.

TrimmerPlus® es una marca registrada de MTD LLC.

INFORMACIÓN DEL SERVICIO

El servicio de esta unidad, ya sea durante o después del período cubierto por la garantía, debe ser hecho solamente por un proveedor de servicios autorizado y aprobado.

Llame al:

• 1-800-345-8746 en Estados Unidos.

O

• 1-800-668-1238 en Canadá para obtener una lista de los proveedores de servicio autorizado más cercanos a usted.

NO LE DEVUELVA LA UNIDAD AL VENDEDOR.

NOTA: PARA SOLICITAR SERVICIO DE GARANTÍA, DEBERA PRESENTAR UN COMPROBANTE DE COMPRA.

Antes de arrancar u operar este equipo, asegúrese de leer y comprender bien este manual.

ESTE PRODUCTO ESTÁ CUBIERTO POR UNA Ó MÁS PATENTES DE EE.UU. OTRAS PATENTES EN TRAMITE.

ÍNDICE DE CONTENIDO

I.	Normas para una operación segura	E2-E6
	A. Importante información de seguridad	E3-E4
	B. Símbolos de seguridad e internacionales	E5
	C. Conozca su unidad	E6
II.	Instrucciones de operación	E7-E9
	A. Ensamblaje del acoplador	E7
	B. Intercambio de boquillas	E8-E9
III.	Instrucciones de mantenimiento	E10
	A. Almacenamiento	E10
	B. Transporte	E10
	C. Accesorios/Piezas de repuesto	E10
IV.	Especificaciones	E10
V.	Lista de piezas	E11
VI.	Garantía	E12

CONTENIDO DE LA CAJA

Esta unidad debe consistir en lo siguiente:

- Aditamento Turbosoplador TB720
- Boquilla ancha
- Boquilla concentradora
- Suspensor
- Manual del operador

NOTA: Este producto ha sido evaluado para uso tanto con cabezales a gasolina como eléctricos.

¡ADVERTENCIA!

Lea el manual del operador y siga todas las advertencias e instrucciones de seguridad. De no hacerlo, el operador y/o los espectadores pueden sufrir lesiones graves.

NORMAS PARA UNA OPERACIÓN SEGURA

Los símbolos de seguridad se utilizan para llamar su atención sobre posibles peligros. Los símbolos de seguridad y sus explicaciones merecen toda su atención y comprensión. Los símbolos de seguridad no eliminan ningún peligro por sí mismos. Las instrucciones o advertencias que ofrecen no substituyen las medidas adecuadas de prevención de accidentes.

SÍMBOLO SIGNIFICADO



SÍMBOLO DE ALERTA DE SEGURIDAD: Indica peligro, advertencia o precaución. Debe prestar atención para evitar sufrir lesiones personales graves. Puede utilizarse junto con otros símbolos o figuras.

NOTA: Le ofrece información o instrucciones que son esenciales para la operación o mantenimiento del equipo.



PELIGRO: El no obedecer una advertencia de seguridad puede conducir a que usted u otras personas sufran graves lesiones. Siga siempre las precauciones de seguridad para reducir el riesgo de incendio, descarga eléctrica y lesiones personales.



ADVERTENCIA: El no seguir una advertencia de seguridad puede conducir a que usted u otras personas sufran lesiones. Siga siempre las precauciones de seguridad para reducir el riesgo de incendio, descarga eléctrica y lesiones personales.



PRECAUCION: El no seguir una advertencia de seguridad puede conducir a daño patrimonial o a que usted u otras personas sufran lesiones personales. Siga siempre las precauciones de seguridad para reducir el riesgo de incendio, descarga eléctrica y lesiones personales.

NORMAS PARA UNA OPERACIÓN SEGURA

• IMPORTANTE INFORMACIÓN DE SEGURIDAD •

LEA TODAS LAS INSTRUCCIONES



ADVERTENCIA: Se deben seguir las siguientes reglas de seguridad cuando use la unidad. Por favor lea estas instrucciones para su propia seguridad y las de los espectadores, antes de hacer funcionar la unidad. Por favor mantenga estas instrucciones en un lugar seguro para uso futuro.

ANTES DE LA OPERACIÓN

- Lea cuidadosamente y entienda el manual del operador de la unidad que impulsa a este aditamento.
- Lea este manual de instrucciones de funcionamiento detenidamente. Familiarícese completamente con los controles y el uso apropiado del equipo. Sepa cómo apagar la unidad y desactivar los controles con rapidez.
- No opere esta unidad si está cansado, enfermo, o bajo los efectos del alcohol, drogas o medicamentos.
- Nunca permita que los niños manejen el equipo. Nunca permita que los adultos usen la unidad cuando no estén familiarizados con las instrucciones. Nunca permita que las personas adultas manejen el equipo si no cuentan con las instrucciones apropiadas.
- Se debe instalar adecuadamente todos los protectores y dispositivos de seguridad antes de hacer funcionar la unidad.
- Inspeccione la unidad antes de usarla.
- Mantenga la abertura de toma de aire libre de desechos.
- Despeje el área antes de cada uso. Quite todos los objetos tales como piedras, vidrios quebrados, clavos, alambre o cuerdas que puedan ser lanzados o que se puedan enredar en el aditamento.

ADVERTENCIAS DE SEGURIDAD ESPECIALES PARA LAS UNIDADES MOTRICES Y TURBOSPLADORAS A GAS

ADVERTENCIA: La gasolina es muy inflamable y sus gases pueden explotar si se encienden. Tome las siguientes precauciones:

- Guarde el combustible en envases que hayan sido diseñados y aprobados especialmente para el almacenamiento de dichos materiales.
- Antes de llenar el tanque de combustible, apague siempre el motor y espere que se enfríe. Nunca quite la tapa del tanque de combustible ni abastezca combustible mientras el motor esté caliente. No opere nunca la unidad sin la tapa del combustible puesta firmemente en su lugar. Afloje la tapa del combustible lentamente para disipar la presión del tanque.
- Mezcle y abastezca el combustible en un área exterior, limpia y bien ventilada donde no haya chispas ni llamas. Quite lentamente la tapa del combustible sólo después de apagar el motor. No fume mientras abastezca o mezcle el combustible. Limpie de inmediato todo el combustible que se haya derramado.
- Evite crear una fuente de encendido por combustible derramado. No arranque el motor hasta que se hayan disipado los vapores del combustible.

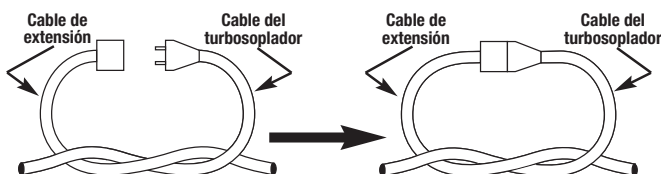
- Aleje la unidad a por lo menos 30 pies (9.1 m) del lugar y fuente de abastecimiento de combustible antes de arrancar el motor. No fume, mantenga las chispas y las llamas abiertas lejos del área mientras abastezca el combustible u opera la unidad.
- No arranque ni opere la unidad en una sala o edificio cerrado. Los gases de escape de monóxido de carbono pueden ser letales en un área cerrada. Opere esta unidad sólo en un área exterior bien ventilada.

ADVERTENCIAS DE SEGURIDAD ESPECIALES PARA LAS UNIDADES MOTRICES Y TURBOSPLADORES ELÉCTRICOS



ADVERTENCIA: Para reducir el riesgo de descarga eléctrica, use sólo cables de extensión aprobados para ser usados en exteriores, como los cables de extensión tipo SW-A, SOW-A, STW-A, STOW-A, SJW-A, SJOW-A, SJTW-W o SJTOW-A. Puede adquirir cables de extensión en su distribuidor local. Use sólo cables de extensión de camisa cilíndrica aprobados para ser usados en exteriores.

- **CABLES DE EXTENSIÓN:** Verifique que su cable de extensión esté en buenas condiciones. Cuando utilice un cable de extensión, verifique que el mismo sea lo suficientemente grueso para conducir la corriente que consuma su unidad. Si utiliza un cable demasiado delgado, esto ocasionará una caída de voltaje de la línea, y en consecuencia, una pérdida de potencia y recalentamiento. Lea el manual del operador de la unidad que accionará a este accesorio para informarse acerca del tamaño recomendado del cable de extensión.
- Inspeccione con frecuencia todos los cables de extensión y la conexión de la unidad a la corriente. Revise con cuidado para ver si hay deterioros, cortes o grietas en el aislamiento. Inspeccione también las conexiones para ver si han sufrido daños. Cambie los cables si observa algún defecto o daño.
- Evite la desconexión del cabezal motorizado del eléctrico del cable de extensión durante el funcionamiento, utilizando un retenedor de enchufe-receptáculo, conector o haciendo un nudo como se muestra aquí debajo:



- Evite los ambientes peligrosos. No opere nunca su unidad en ambientes húmedos ni mojados. La humedad representa un peligro de descarga eléctrica.
- No use la unidad bajo la lluvia. No lo use dentro del agua ni alrededor de ella.
- No toque el enchufe ni la unidad con las manos mojadas ni cuando esté parado sobre una superficie mojada.
- No deje la unidad enchufada mientras no la use, mientras cambie los accesorios o aditamentos, ni mientras realiza el servicio.

NORMAS PARA UNA OPERACIÓN SEGURA

DURANTE LA OPERACIÓN

- Mantenga retirados a los espectadores, especialmente a los niños y animales domésticos por lo menos a 50 ft (15 m) de distancia.
- Use lentes o gafas de protección que cumplan con las normas ANSI Z87.1–1989, y protección para sus oídos/audición mientras opere esta unidad. Use siempre una máscara facial o para protegerse contra el polvo si la operación levanta polvo.
- Use pantalones largos y gruesos y guantes. No vista ropa holgada, alhajas, pantalones cortos, sandalias ni esté descalzo. Asegure su cabello sobre el nivel de los hombros.
- Use la unidad únicamente con la luz diurna o con buena luz artificial.
- Use la herramienta correcta. Use esta herramienta sólo para el trabajo para el que fue diseñada.
- No se estire demasiado, tenga cuidado adicional cuando trabaje en pendientes o inclinaciones. Mantenga la pisada firme y buen equilibrio en todo momento.
- Sostenga siempre la unidad con ambas manos durante la operación. Agarre firmemente ambas manijas o mangos anteriores y posteriores.
- Mantenga la abertura de la toma de aire libre de desechos mientras sople.
- Nunca haga funcionar la unidad sin la boquilla instalada.
- Nunca intente despejar una toma de aire atascada mientras el motor esté funcionando.
- No fuerce la unidad. Hará mejor el trabajo y con menos probabilidad de lesión bajo la tasa de funcionamiento que fue diseñada.
- No funcione el motor a una velocidad superior a la necesaria para hacer el trabajo. No haga funcionar el motor a alta velocidad cuando no esté en uso.
- Pare siempre la unidad cuando posponga el trabajo o mientras camina entre diferentes zonas de corte.
- Si golpea algún objeto extraño o se enreda con él, pare el motor inmediatamente y busque daños. Haga arreglar cualquier daño antes de intentar el funcionamiento ulterior.
- Pare la unidad DE INMEDIATO si siente una vibración excesiva. La vibración es señal de que hay problemas. Inspeccione bien si hay tuercas o pernos flojos o daños antes de continuar. Repare o cambie las piezas afectadas según sea necesario.

- Pare y apague la unidad para hacerle mantenimiento, arreglos o para cambiarle aditamentos. Debe detener la unidad y el impulsor debe dejar de voltear para evitar lesiones.
- Use únicamente piezas de repuesto y accesorios MTD genuinos para esta unidad. Se encuentran disponibles en el distribuidor autorizado. El uso de piezas o accesorios que no sean MTD puede ocasionarle lesiones graves al usuario o dañar la unidad y anular la garantía..

OTRAS ADVERTENCIAS DE SEGURIDAD

- Espere que el motor se enfríe antes de guardar o transportar la unidad. Compruebe que la unidad esté segura al transportarla.
- Guarde la unidad bajo llave en un lugar adecuado y seco para evitar que sea usada por personas no autorizadas y se dañe, lejos del alcance de los niños.
- Nunca remoje o chorree la unidad con agua o cualquier otro líquido. Mantenga los mangos secos, limpios y libres de escombros. Limpie la unidad y los rótulos con una esponja húmeda. Límpiela después de cada uso.
- Guarde estas instrucciones. Consúltelas con frecuencia y utilícelas para enseñar a otros usuarios. Si le presta esta unidad a alguien, préstele también estas instrucciones.
- Cualquier reparación o procedimientos de mantenimiento que no estén descritos en este manual deben ser hechos únicamente por personal calificado.
- Compruebe frecuentemente el apriete de los pernos de la cizalla, de montaje del motor y otros pernos para que tenga la seguridad de que el equipo está en buen estado de funcionamiento.
- Cuando guarde la unidad dentro de un edificio, aléjela de fuentes de encendido. Permita que el motor se enfríe antes de guardarla en cualquier caja protectora.
- Consulte siempre las instrucciones del Manual del Operario para que se informe sobre detalles importantes, si va a guardar la unidad durante un período de tiempo prolongado.
- No intente arreglar la máquina a menos que tenga las herramientas apropiadas y las instrucciones para desensamblarla y arreglarla.

GUARDE ESTAS INSTRUCCIONES

NORMAS PARA UNA OPERACIÓN SEGURA

SÍMBOLOS DE SEGURIDAD E INTERNACIONALES

Este manual del operador describe los símbolos y figuras de seguridad e internacionales que pueden aparecer en este producto. Lea el manual del operador para obtener información completa acerca de la seguridad, ensamble, operación y mantenimiento y reparación.

SÍMBOLO

SIGNIFICADO



• SÍMBOLO DE ALERTA DE SEGURIDAD

Indica peligro, advertencia o precaución. Puede ser utilizado junto con otros símbolos o figuras.



• ADVERTENCIA - LEA EL MANUAL DEL OPERADOR

Lea el manual del operador y siga todas las advertencias e instrucciones de seguridad. De no hacerlo, el operador y/o los espectadores pueden sufrir graves lesiones.



• USE PROTECCIÓN OCULAR Y AUDITIVA

ADVERTENCIA: La operación de cualquier herramienta electromecánica puede ser el origen del lanzamiento de objetos y ruidos elevados que pueden causar lesiones oculares severas y pérdida auditiva. Use siempre gafas de seguridad o protección visual que cumpla con las normas ANSI Z87.1-1989 y protección auditiva, cuando maneje esta unidad. Use una careta completa cuando la necesite.



• MANTENGA ALEJADOS A LOS ESPECTADORES

ADVERTENCIA: Mantenga a todos los espectadores, en especial a los niños y animales domésticos a por lo menos 50 pies (15 m) del área de corte.



• LOS OBJETOS DESPEDIDOS Y LA CUCHILLA ROTATIVA PUEDEN CAUSAR GRAVES LESIONES

ADVERTENCIA: No opere esta unidad si la protección plástica de la línea no está puesta en su lugar. Manténgase alejado del accesorio de corte giratorio.



• LAS SOPLADORAS Y SOPLADORAS/ASPIRADORAS – CUCHILLAS GIRATORIAS DEL ROTOR PUEDEN CAUSAR LESIONES GRAVES

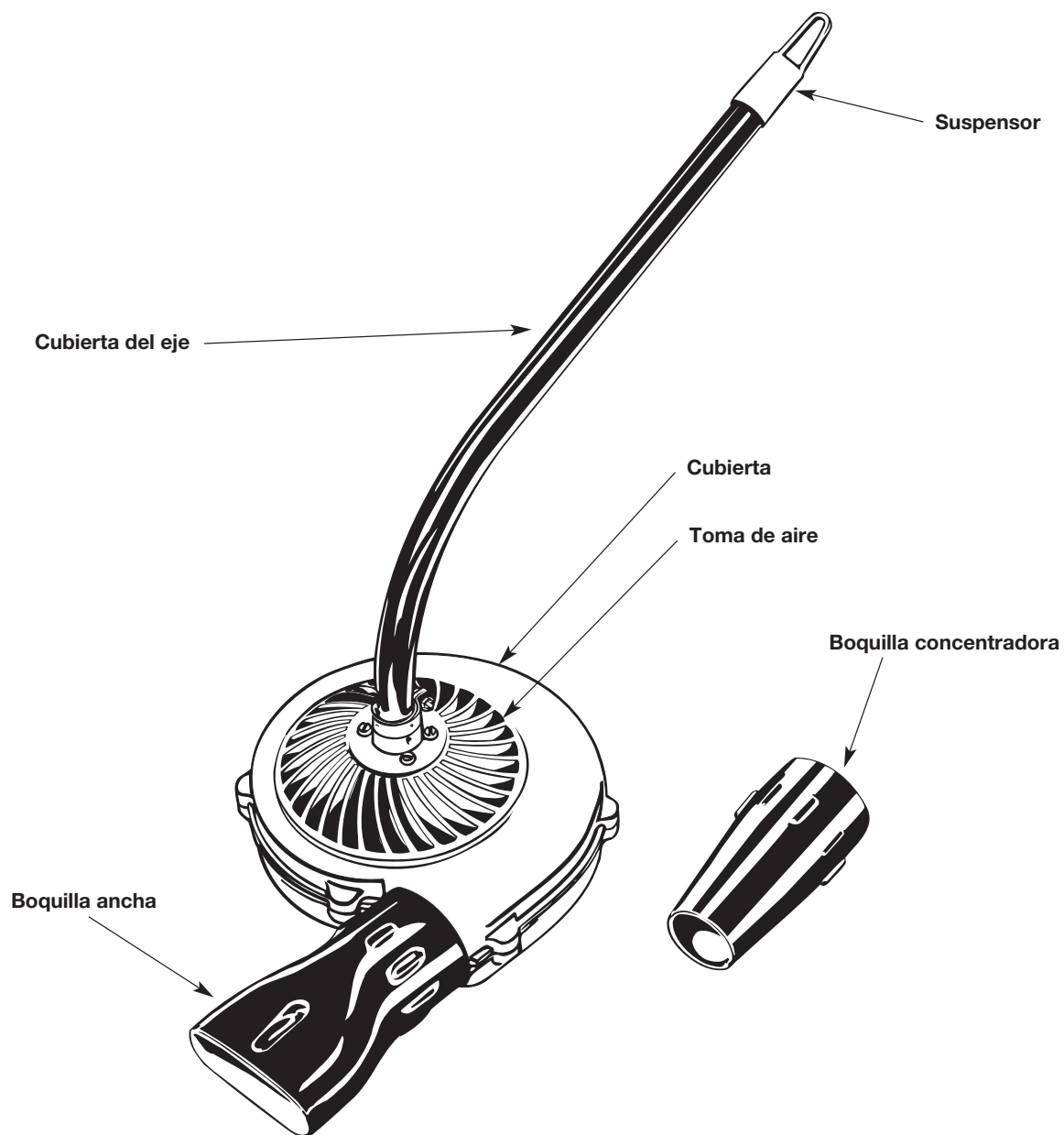
ADVERTENCIA: Pare el motor y permita que el rotor se detenga antes de instalar o cambiar boquilla, o antes de limpiar o hacerle cualquier mantenimiento.

CONOZCA SU UNIDAD

APLICACIONES

Con aditamento turbosoplador:

- Hasta 235 km/h (145 mi/h) de Velocidad del Flujo de Aire para el Despeje Rápido de Áreas Extensas.
- Boquilla ancha para áreas extensas.
- Boquilla concentradora para lugares de difícil acceso.



INSTRUCCIONES DE OPERACIÓN

ENSAMBLAJE DEL ACOPLADOR

El sistema TrimmerPlus® le permite el uso de estos accesorios optativos.

AeroFlex™ cortamalezas	AF720
Cortamalezas	BC720*
Podadora con cuchilla circular	BP720
Recortador / aspirador	BT720*
Soplador / aspirador	BV720
Cultivadora de jardín	GC720
Recortador de bordes de césped	LE720
Recortadora de setos articulada	AH720*
Cortador de poste	PS720
Soplador de nieve	ST720
Recortador de eje recto	SS725

***NO utilice este accesorio con un equipo accionado por corriente eléctrica.**



ADVERTENCIA: Lea y comprenda el manual del operador de los accesorios antes de su operación.

Remoción del accesorio:

1. Para aflojarlo, gire el botón en el sentido opuesto al de las manecillas del reloj (Fig. 1).
2. Oprima y sostenga oprimido el botón de liberación (Fig. 1).
3. Mientras sostiene el bastidor del eje superior con firmeza, tire del turbosoplador en línea recta fuera del acoplador (Fig. 2).

Instalación del accesorio:



ADVERTENCIA: Para evitar graves lesiones personales, apague la unidad antes de sacar o instalar accesorios.

NOTA: Para facilitar la instalación o remoción de los accesorios, coloque la unidad sobre el suelo o sobre un banco de trabajo.

1. Quite el colgador de encima de la cubierta del eje.
2. Apriete el botón girándolo hacia la derecha (Fig. 1).
3. Mientras sostiene el accesorio con firmeza, empújelo en línea recta en el acoplador (Fig. 2).

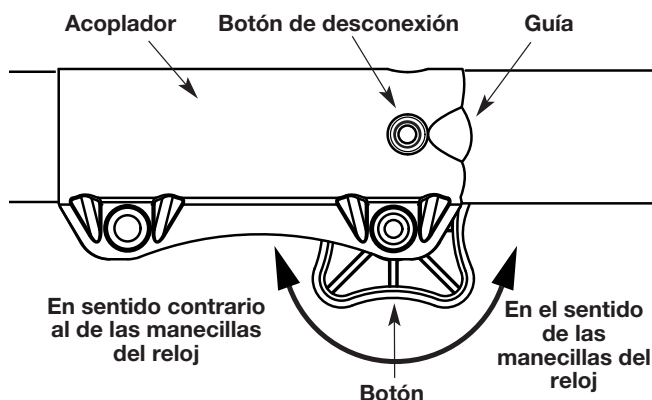


Fig. 1

NOTE: La alineación del botón de desconexión con la guía ayuda en la instalación (Fig. 1).

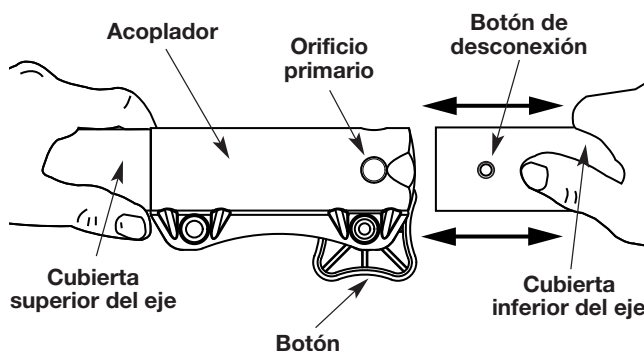


Fig. 2

3. Apriete el botón girándolo hacia la derecha (Fig. 3).



PRECAUCIÓN: Trabe el botón de desconexión en el orificio primario (Fig. 2) y ajuste bien la perilla antes de operar esta unidad.

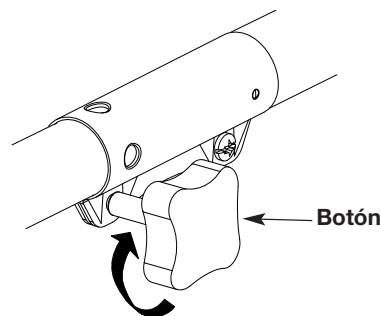


Fig. 3



PRECAUCIÓN: Los aditamentos junto con el sistema de acople son para usarlos únicamente en el orificio primario. El uso del orificio equivocado puede causarles lesiones personales a usted o daños a la unidad.

El aditamento turbosoplador se debe instalar con el botón de liberación puesto en el **orificio primario**.

Inspeccione el acoplamiento del eje acodado antes de usar la unidad

1. Arranque la unidad.
2. Enganche y suelte el gatillo brevemente.
3. Verifique que el accesorio esté funcionando.
4. Si el accesorio no está funcionando, retire el accesorio y repita los pasos para su instalación.
5. Vuelva a verificar el funcionamiento del accesorio.

INSTRUCCIONES DE OPERACIÓN



ADVERTENCIA: Para evitar lesiones personales graves, no ponga las manos dentro de las boquillas cuando las quite o las ponga.



ADVERTENCIA: Para reducir el peligro de lesiones, desconecte la corriente antes de quitar las boquillas.

CAMBIO DE BOQUILLAS

Siga las siguientes instrucciones para poner o cambiar las dos boquillas (Figuras 4 y 5).

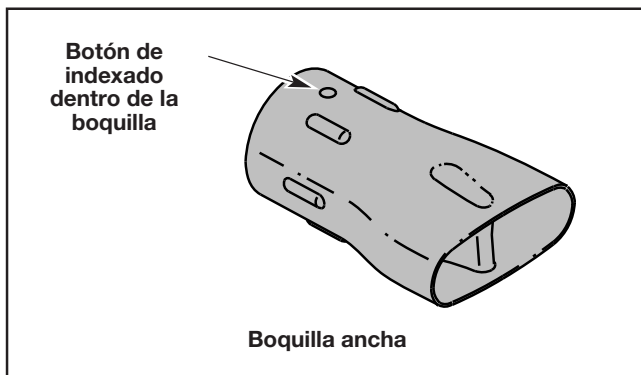


Fig. 4

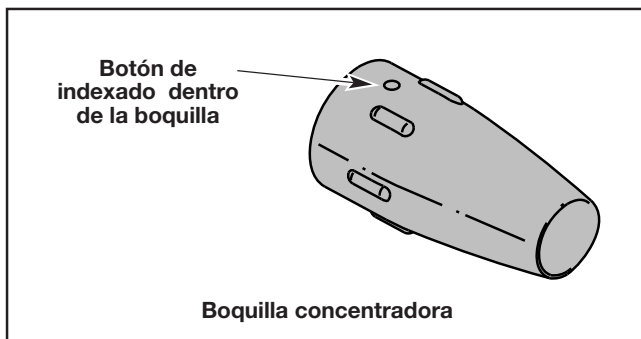


Fig. 5

INTALACIÓN DE LA BOQUILLA ANCHA O LA CONCENTRADORA EN LA CUBIERTA DEL SOPLADOR

1. Alinee el botón de indexado dentro de la boquilla con el anclaje de la cubierta (Fig. 6).
2. Empuje la boquilla dentro de la cubierta y voltéela hacia la derecha hasta que asegure (Fig. 7).

NOTA: Compruebe que las boquillas estén instaladas apropiadamente, con el botón de indexado apuntando hacia arriba, antes de hacer funcionar la unidad.

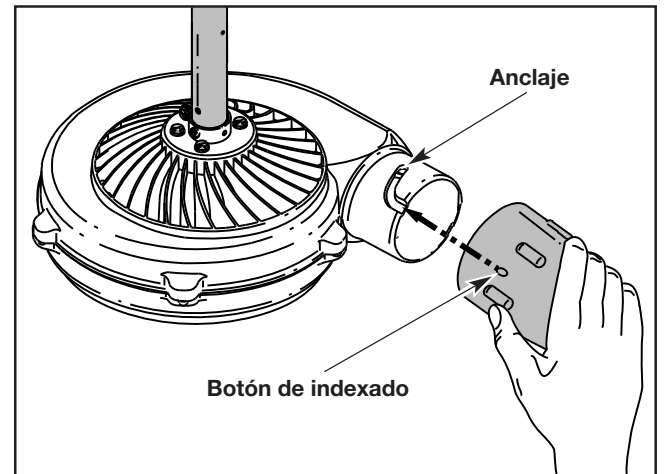


Fig. 6

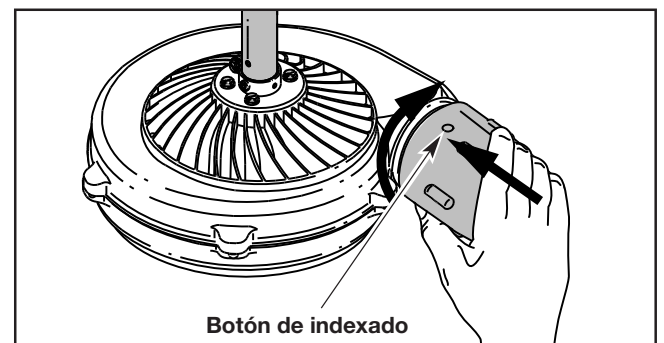


Fig. 7

INSTRUCCIONES DE OPERACIÓN

DESCONEXIÓN DE LA BOQUILLA ANCHA O LA CONCENTRADORA DE LA CUBIERTA DEL SOPLADOR

1. Agarre la boquilla y voltéela hacia la izquierda aproximadamente 45° hasta que el botón de indexado dentro de la boquilla desenganche del anclaje de la cubierta del soplador (Fig. 8). Hale la boquilla fuera de la cubierta del soplador.

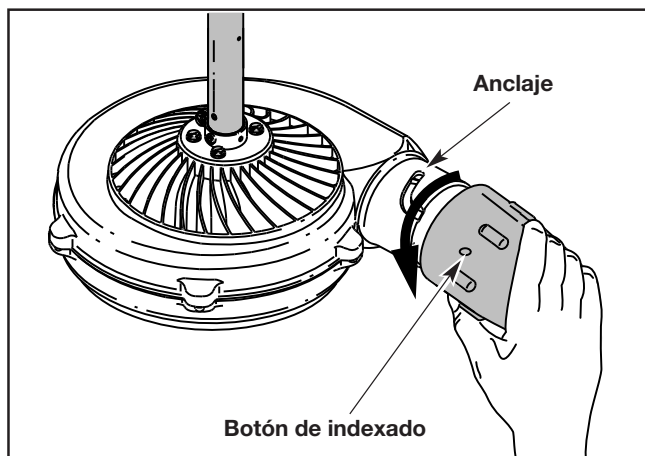


Fig. 8

USO DE LA BOQUILLA CONCENTRADORA

Use la boquilla concentradora para lugares de difícil acceso tales como esquinas en un garaje o para controlar el polvo en un ambiente cargado de polvo (Fig. 10).

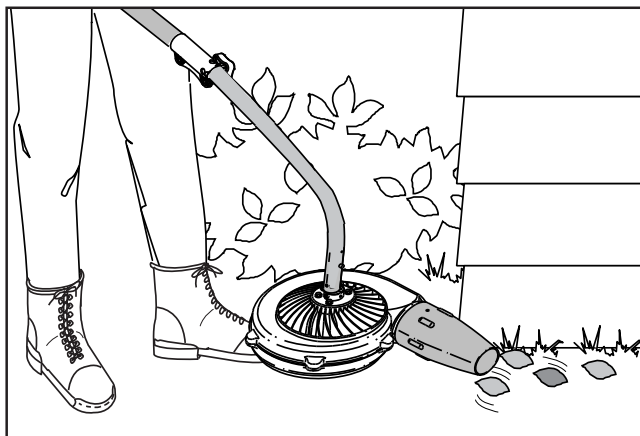


Fig. 10

USO DE LA BOQUILLA ANCHA

Use la boquilla ancha para superficies grandes y duras tales como caminos de acceso y aceras (Fig. 9).

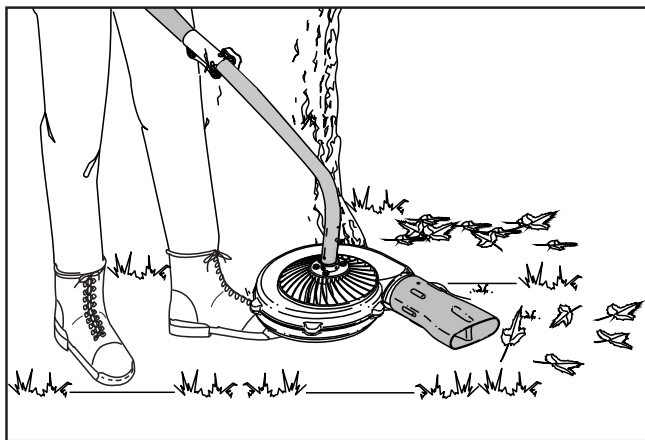


Fig. 9

INSTRUCCIONES DE MANTENIMIENTO Y REPARACIÓN

ALMACENAMIENTO

- Examine la unidad antes de que la guarde para que compruebe que el equipo se encuentre en buen estado de funcionamiento.
- Pare el motor.
- Guarde la unidad bajo techo en un lugar seco y asegurado, lejos del alcance de los niños.
- Mantenga o cambie las etiquetas de seguridad e instrucciones, como sea necesario.

Para unidades a gasolina:

- Permita que la unidad se enfríe antes de guardarla en cualquier lugar encerrado.
- Vacíe el combustible de la unidad. Nunca guarde la unidad con combustible dentro del tanque en un edificio en donde haya presentes fuentes de ignición tales como calentadores portátiles, secadoras de ropa, etc.

TRANSPORTE

- Espere que el motor se enfríe antes de su transporte.
- Asegure la unidad durante su transporte.

Para unidades a gasolina:

- Drene el combustible de la unidad.
- Ajuste la tapa del combustible antes del transporte.

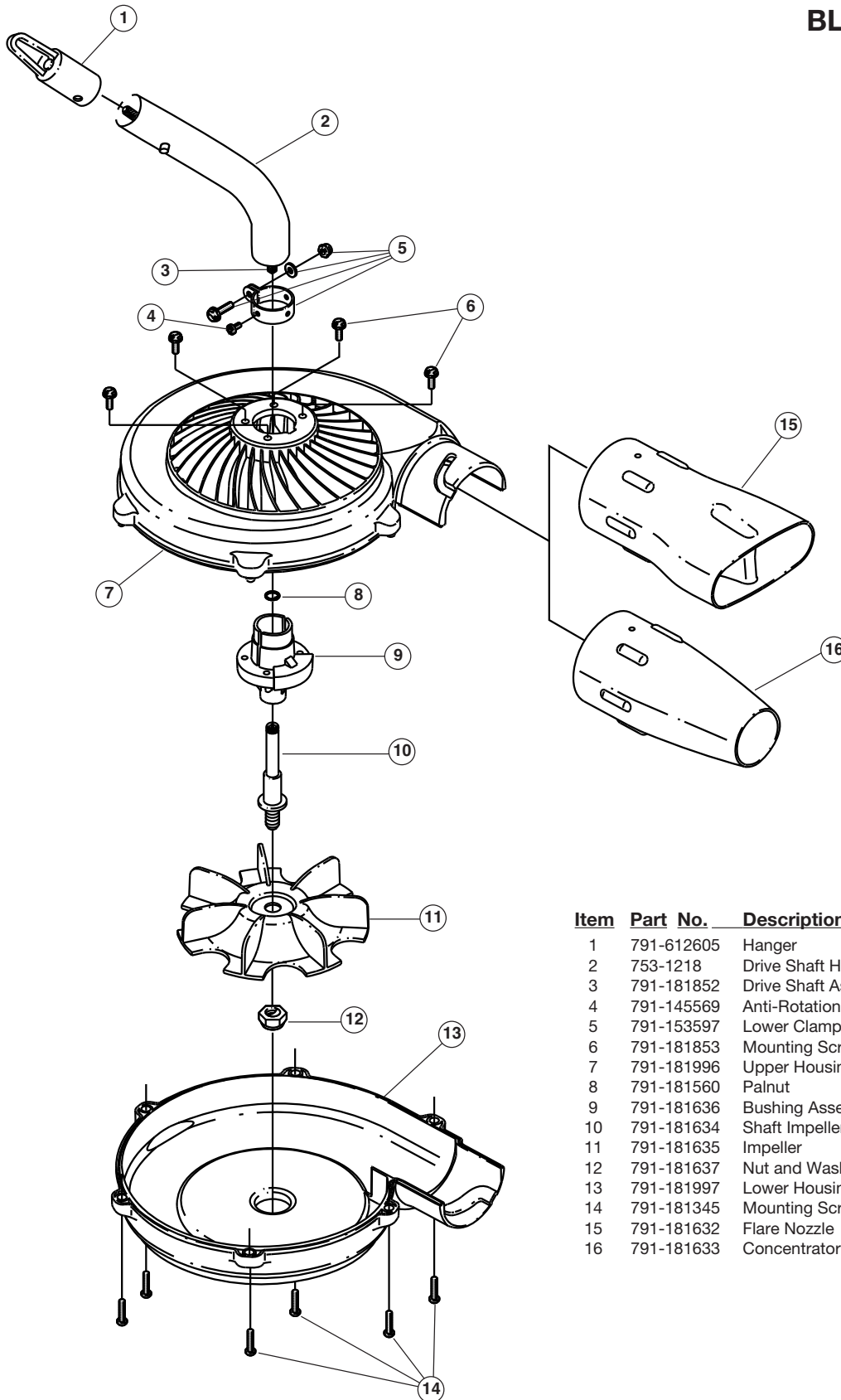
ESPECIFICACIONES

ACCESORIO TURBOSOPLADORA

Peso del accesorio:3.375 lbs. (1.531 kg)
Cubierta del eje de transmisión	Tubo de acero
Velocidad del aire	Hasta 145 MPH (53.64 met/seg)

PARTS LIST

REPLACEMENT PARTS - MODEL TB720 BLOWER ADD-ON



Item	Part No.	Description
1	791-612605	Hanger
2	753-1218	Drive Shaft Housing Assembly
3	791-181852	Drive Shaft Assembly
4	791-145569	Anti-Rotation Screw
5	791-153597	Lower Clamp Assembly (includes 4)
6	791-181853	Mounting Screw
7	791-181996	Upper Housing
8	791-181560	Palnut
9	791-181636	Bushing Assembly Housing
10	791-181634	Shaft Impeller
11	791-181635	Impeller
12	791-181637	Nut and Washer
13	791-181997	Lower Housing
14	791-181345	Mounting Screw
15	791-181632	Flare Nozzle
16	791-181633	Concentrator Nozzle

GARANTÍA LIMITADA DEL FABRICANTE PARA:

TrimmerPlus®

A continuación expone una garantía limitada MTD LLC ("MTD") en relación con su nueva mercadería adquirida y utilizada en los Estados Unidos, sus posesiones y territorios.

MTD garantiza su producto en cuanto a defectos en el material y mano de obra por un período de dos ("2") años, comenzando a partir de la fecha de la compra original y, según su criterio, reparará o reemplazará sin costo alguno, cualquier parte que se detecte defectuosa en cuanto al material o mano de obra. Esta garantía limitada sólo se aplicará si este producto se ha manejado y mantenido de acuerdo al Manual del usuario que se adjunta al producto, y si no se le ha sometido a un uso erróneo, abuso, utilización comercial, negligencia, accidente, mantenimiento inadecuado, alteración, vandalismo, hurto, fuego, agua o daño debido a otro peligro o desastre natural. Cualquier daño ocasionado por la instalación o uso de cualquier accesorio o aparato eléctrico que MTD no autorice para su utilización con el(los) producto(s) a que este manual se refiere, anulará su garantía respecto a cualquier daño consecutivo.

Esta garantía se extiende por noventa (90) días a partir de la fecha de la compra original al detalle de cualquier producto MTD que se emplea para arrendar o con propósitos comerciales, o cualquier otro propósito que produzca una ganancia.

CÓMO OBTENER SERVICIO: El servicio de garantía se encuentra disponible, CON COMPROBANTE DE COMPRA A TRAVÉS DEL REPRESENTANTE DE SERVICIO AUTORIZADO EN SU LOCALIDAD. Para ubicar al representante de su área, por favor, revise las Páginas Amarillas o comuníquese con el Departamento de Servicio al Cliente de MTD LLC llamando al **1-800-345-8746** o por correo a P.O. Box 361131, Cleveland, OH 44136-0019; en Canadá llame al **1-800-668-1238**. No se aceptará ningún producto devuelto directamente a la fábrica, a menos que previamente el Departamento de Servicio al Cliente de MTD LLC haya extendido un permiso por escrito.

Esta garantía limitada no proporciona cobertura en los siguientes casos:

- A. Artículos de desgaste — Botón de tope, carretes externos, línea de corte, carretes internos, polea de arranque, cuerdas de arranque, correas motoras.
- B. MTD no extiende garantía a productos vendidos o exportados fuera de Estados Unidos, sus posesiones y territorios, excepto aquellos vendidos a través de canales autorizados para la distribución de exportación de MTD.

MTD se reserva el derecho a cambiar o mejorar el diseño de cualquier Producto TrimmerPlus® sin asumir cualquier obligación en cuanto a modificar cualquier producto previamente fabricado.

Ninguna garantía implícita, incluyendo cualquier

garantía implícita de comercio o conveniencia para un propósito particular, se aplica después del período pertinente de la garantía explícita escrita que aparece anteriormente en cuanto a las partes como se identifican. Ninguna otra garantía o garante explícito, ya sea escrito u oral, excepto la que se menciona arriba, entregada por cualquier persona o entidad, incluyendo comerciante o detallista, en cuanto a cualquier producto comprometerá a MTD. Durante el período de garantía, los recursos exclusivos se refieren a reparar o reemplazar el producto como se expresa arriba. (Algunos estados no permiten restricciones en cuanto a la duración de una garantía implícita, por lo tanto la restricción anterior podría no aplicar a usted.)

Las estipulaciones expresadas en esta garantía proporcionan el único y exclusivo recurso que se presenta a partir de las ventas. MTD no será responsable por pérdidas o daños incidentales o consecuentes incluyendo, sin restricción, gastos incurridos por sustitución o reemplazo de servicios de cuidado de césped, por transporte o por gastos relacionados, o por gastos de arriendo para reemplazar temporalmente un producto garantizado. (Algunos estados no permiten restricciones en cuanto a la duración de la garantía implícita, por lo tanto las restricciones anteriores podrían no aplicar a usted.)

En ningún caso cualquier recuperación será mayor que la cantidad del precio de compra del producto vendido. La alteración de las características de seguridad del producto invalidará esta garantía. Usted asume el riesgo y responsabilidad en caso de pérdida, daño, o perjuicio a usted y a su propiedad, y/o a otros y su propiedad que surja a partir del uso erróneo o incapacidad para utilizar el producto.

Esta garantía limitada se extenderá tan sólo al comprador original, arrendatario original o aquella persona que lo recibió como regalo.

Cómo las leyes estatales se relacionan con esta garantía: esta garantía le proporciona derechos legales específicos, y usted podría contar con otros derechos los cuales varían de acuerdo al estado en que se encuentre.

Para ubicar a su representante más cercano llame al **1-800-345-8746** en Estados Unidos o **1-800-668-1238** en Canadá

MTD LLC

P. O. Box 361131

Cleveland, OH 44136-0019

**GUARDE ESTAS INSTRUCCIONES PARA USARLAS COMO REFERENCIA EN EL FUTURO.
PARA FORMULAR PREGUNTAS, LLAME AL 1-800-345-8746 EN LOS EE.UU.
O AL 1-800-668-1238 EN CANADÁ**