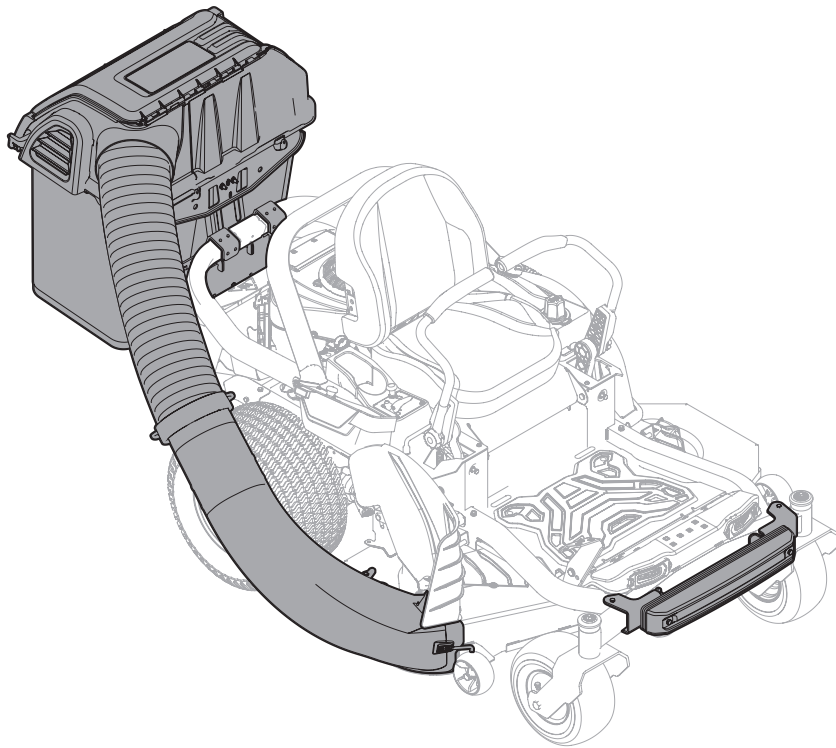


Cub Cadet[®]

OPERATOR'S MANUAL



Twin & Triple Rear Baggers - Model Nos. 19A70054100, 19A70055100, 19A70056100

⚠ WARNING

**READ AND FOLLOW ALL SAFETY RULES AND INSTRUCTIONS IN THIS MANUAL
BEFORE ATTEMPTING TO OPERATE THIS MACHINE.
FAILURE TO COMPLY WITH THESE INSTRUCTIONS MAY RESULT IN PERSONAL INJURY.**

CUB CADET LLC, P.O. BOX 361131 CLEVELAND, OHIO 44136-0019



Thank You

Thank you for purchasing a bagging attachment manufactured by Cub Cadet. It was carefully engineered to provide excellent performance when properly operated and maintained.

Please read this entire manual prior to operating the equipment. It instructs you how to safely and easily set up, operate and maintain your equipment. Please be sure that you, and any other persons who will operate the machine, carefully follow the recommended safety practices at all times. Failure to do so could result in personal injury or property damage.

All information in this manual is relative to the most recent product information available at the time of printing. Review this manual frequently to familiarize yourself with the equipment, its features and operation. Please be aware that this Operator's Manual may cover a range of product specifications for various models. Characteristics and features discussed and/or illustrated in this manual may not be applicable to all models. We reserve the right to change product specifications, designs and equipment without notice and without incurring obligation.

If you have any problems or questions concerning this equipment, phone your local Cub Cadet dealer or contact us directly. Cub Cadet's Customer Support telephone numbers, website address and mailing address can be found on this page. We want to ensure your complete satisfaction at all times.

Throughout this manual, all references to *right* and *left* side of the machine are observed from the operating position.

Table of Contents

<i>Safe Operation Practices</i>	3	<i>Warranty</i>	16
<i>Carton Contents & Hardware Packs</i>	5	<i>Español</i>	17
<i>Assembly & Installation</i>	9	<i>Francés</i>	33
<i>Operation</i>	14		

Record Product Information

Before setting up and operating your new equipment, please locate the model plate and record the information in the area provided to the right. You can locate the model plate by looking on the outside of the bagger cover. The model plate contains the unit's model and serial numbers. This information will be necessary, should you seek technical support via our web site, Customer Support Department, or with a local authorized service dealer.

MODEL NUMBER

--	--	--	--	--	--	--	--	--	--	--	--

SERIAL NUMBER

--	--	--	--	--	--	--	--	--	--	--	--

Customer Support

If you have difficulty assembling this product or have any questions regarding the controls, operation, or maintenance of this machine, you can seek help from the experts. Choose from the options below:

- ◇ Visit us on the web at www.cubcadet.com
- ◇ Call a Customer Support Representative at (800) 965-4CUB
- ◇ Locate your nearest Cub Cadet Dealer at (877) 282-8684
- ◇ Write us at Cub Cadet LLC • P.O. Box 361131 • Cleveland, OH • 44136-0019

Important Safe Operation Practices



WARNING! This symbol points out important safety instructions which, if not followed, could endanger the personal safety and/or property of yourself and others. Read and follow all instructions in this manual before attempting to operate this machine. Failure to comply with these instructions may result in personal injury. When you see this symbol. **HEED ITS WARNING!**



DANGER! This attachment was built to be used according to the safe operation practices in this manual. Carelessness or error on the part of the operator can result in serious injury. Mowers are capable of amputating hands and feet and throwing objects. Failure to observe the following safety instructions as well as the instructions provided with your mower, could result in serious injury or death.



CALIFORNIA PROPOSITION 65

WARNING! This product contains a chemical(s) known to the State of California to cause cancer, birth defects or other reproductive harm.

General Operation

1. Read, understand, and follow all instructions on your equipment and in their manuals before attempting to assemble and operate. Keep this manual in a safe place for future and regular reference and for ordering replacement parts.
2. To help avoid blade contact or a thrown object injury, keep bystanders, helpers, children and pets at least 75 feet from the mower while it is in operation. Stop machine if anyone enters the area.
3. Thoroughly inspect the area where the equipment is to be used. Remove all stones, sticks, wire, bones, toys, and other foreign objects which could be picked up and thrown by the blade(s). Thrown objects can cause serious personal injury.
4. Always wear safety glasses or safety goggles during operation and while performing an adjustment or repair to protect your eyes. Thrown objects which ricochet can cause serious injury to the eyes.
5. Do not operate the mower without the discharge cover or entire grass catcher in its proper place. A missing or damaged discharge cover or grass bag attachment component may result in thrown objects or blade contact injuries.
6. Do not put hands or feet near rotating parts or under the cutting deck. Contact with the blade(s) can amputate hands and feet.
7. Shut off mower's engine and wait for blades to come to a complete stop before unclogging mower's discharge opening or bagger parts.
8. Slow down before turning. Operate the machine smoothly. Avoid erratic operation and excessive speed. Be aware that a grass catcher attachment can affect the handling characteristics of your mower.
9. Disengage blade(s), set parking brake, stop engine and wait until the blade(s) come to a complete stop before opening bagger attachment's top cover, removing grass catcher, emptying grass, unclogging chute, removing any grass or debris, or making any adjustments. Never leave a running machine unattended. Always turn off blade(s), place transmission in neutral, set parking brake, stop engine and remove key before dismounting.

10. Your machine is designed to cut normal residential grass. Do not attempt to mow through unusually tall, dry grass (e.g., pasture) or piles of dry leaves. Dry grass or leaves may contact the engine exhaust and/or build up on the mower deck presenting a potential fire hazard.
11. If situations occur which are not covered in this manual, use care and good judgment. Contact your customer service representative for assistance.

Slope Operation

Slopes are a major factor related to loss of control and tip-over accidents which can result in severe injury or death. Attachments can also affect the stability of the machine. All slopes require extra caution.

For your safety, use the slope gauge included as part of this manual to estimate the angle of slopes before operating this machine on a sloped or hilly area. If the slope is greater than 10 degrees as shown on the slope gauge, do not operate the mower with the grass bag attachment installed on that area or serious injury could result.

Do:

1. Mow up and down slopes, not across. Exercise extreme caution when changing direction on slopes.
2. Watch for holes, ruts, bumps, rocks, or other hidden objects. Uneven terrain could overturn the machine. Tall grass can hide obstacles.
3. Use slow speed. Choose a low enough speed setting so that you will not have to stop or shift while on the slope. Tires may lose traction on slopes even though the brakes are functioning properly. Always keep machine in gear when going down slopes to take advantage of engine braking action.
4. Follow the manufacturer's recommendations for wheel weights or counterweights to improve stability. Keep all movement on the slopes slow and gradual. Do not make sudden changes in speed or direction. Rapid engagement or braking could cause the front of the machine to lift and rapidly flip over backwards which could cause serious injury.
5. Avoid starting or stopping on a slope. If tires lose traction, disengage the blade(s) and proceed slowly straight down the slope.

Do Not:

1. Do not turn on slopes unless necessary; then, turn slowly and gradually downhill, if possible.
2. Do not mow near drop-offs, ditches or embankments. The mower could suddenly turn over if a wheel is over the edge of a cliff, ditch, or if an edge caves in.
3. Do not try to stabilize the machine by putting your foot on the ground.
4. Do not use a grass catcher on steep slopes.
5. Do not mow on wet grass. Reduced traction could cause sliding.

General Service

1. Before cleaning, repairing, or inspecting, make certain the blade(s) and all moving parts have stopped. Disconnect the spark plug wire and ground against the engine to prevent unintended starting.
2. Keep all nuts, bolts, and screws tight to be sure the equipment is in safe working condition.
3. Never tamper with your mower's safety interlock system or other safety devices. Check their proper operation regularly.
4. Never attempt to make adjustments or repairs while the mower's engine is running.
5. Grass catcher components and the discharge cover are subject to wear and damage which could expose moving parts or allow objects to be thrown. For safety protection, frequently check components and replace immediately with original equipment manufacturer's (O.E.M.) parts only, listed in this manual. Use of parts which do not meet the original equipment specifications may lead to improper performance and compromise safety!
6. Maintain or replace safety and instruction labels, as necessary.

Safety Symbols

This table depicts and describes safety symbols that may appear on this product. Read, understand, and follow all instructions on the machine before attempting to assemble and operate.

Symbol	Description
	READ THE OPERATOR'S MANUAL(S) Read, understand, and follow all instructions in the manual(s) before attempting to assemble and operate.
	STOP Turn OFF the engine before opening the bagger cover.



WARNING! Your Responsibility—Restrict the use of this power machine to persons who read, understand and follow the warnings and instructions in this manual and on the machine.

SAVE THESE INSTRUCTIONS!

Slope Gauge

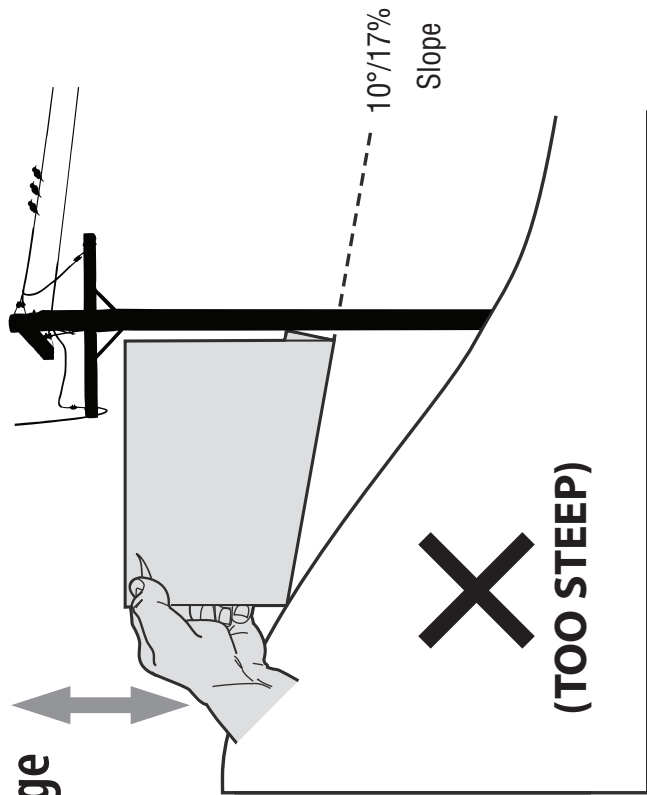


Figure 1

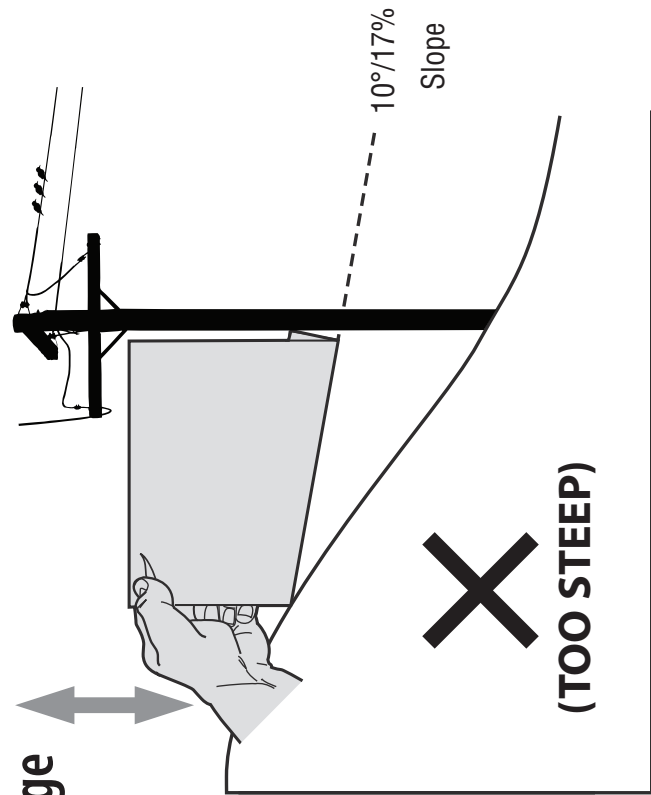
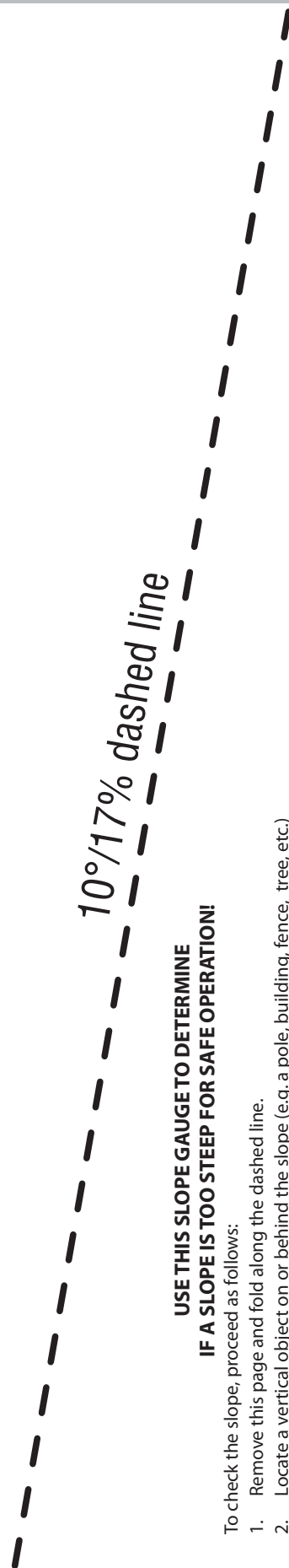


Figure 2



USE THIS SLOPE GAUGE TO DETERMINE IF A SLOPE IS TOO STEEP FOR SAFE OPERATION!

To check the slope, proceed as follows:

1. Remove this page and fold along the dashed line.
2. Locate a vertical object on or behind the slope (e.g. a pole, building, fence, tree, etc.)
3. Align either side of the slope gauge with the object (See Figure 1 and Figure 2).
4. Adjust gauge up or down until the left corner touches the slope (See Figure 1 and Figure 2).
5. If there is a gap below the gauge, the slope is too steep for safe operation (See Figure 2 above).



WARNING! Slopes are a major factor related to tip-over and roll-over accidents which can result in severe injury or death. Do not operate machine on slopes in excess of 10 degrees. All slopes require extra caution. If you cannot back up the slope or if you feel uneasy on it, do not mow it. Always mow up and down slopes, never across the face of slopes.

Contents of Carton

3

50/54" Triple Bagger 19A70056100

Before beginning installation, remove all parts from the carton to make sure everything is present. Carton contents are listed below and shown in Fig. 3-1. The hardware pack included in this kit is detailed at the end of this section.

- Boot Assembly - 631-05103
- Grass Bag Assembly (3) - 664-05104
- Vertical Bagger Support - 683-04519C
- Grass Bag Support - 683-04498B
- Chute Adapter - 731-10133
- End Plugs (6) - 735-0246A
- Bagger Top Assembly - 819-010779
- Hose Assembly - 819-010699
- Hinge Pin - 711-05079
- Adapter Bracket - 819-010661
- Hitch Adapter Bracket - 789-02137
- Bagger Screen - 731-06504
- RZT Bagger Weight - 719-04217A
- Weight Plates (3) - 789-02137
- Weight Hanger Bracket Left - 789-02197
- Weight Hanger Bracket Right - 789-021978
- Hardware Pack - 689-01419
- Anti-marking Adhesive Strips - 777X52246

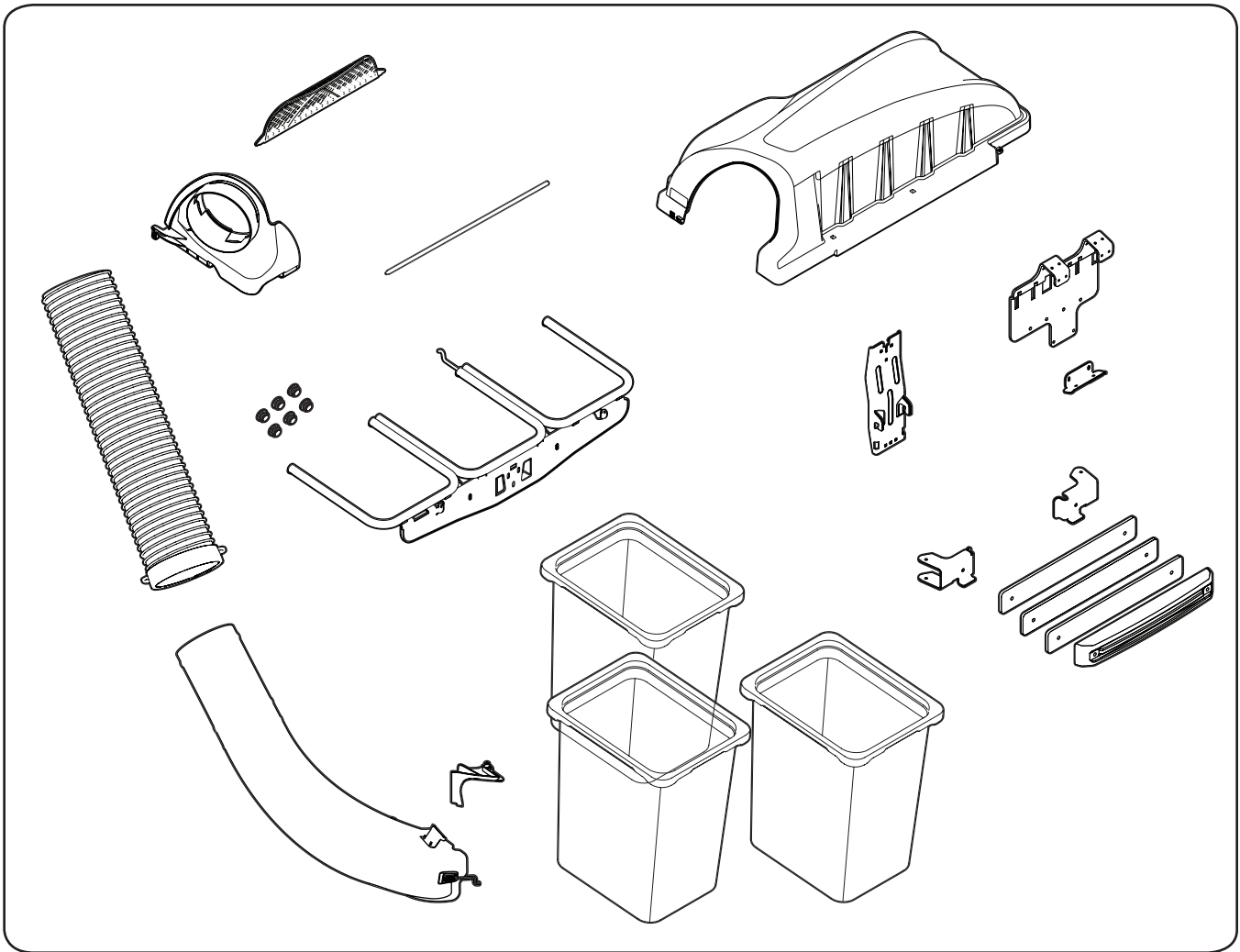


Figure 3-1

42/46" Double Bagger 19A70054100

Before beginning installation, remove all parts from the carton to make sure everything is present. Carton contents are listed below and shown in Fig. 3-2. The hardware packs included in this kit are detailed at the end of this section.

- Boot Assembly - 731-09329A
- Grass Bag Assembly (2) - 664-05104
- Vertical Bagger Support - 683-04519C
- Grass Bag Support - 683-05329A
- End Plugs (4) - 735-0246A
- Bagger Cover - 631-05474B
- Bagger Vent Wall Assembly - 631-05491B
- Bagger Cover Left Side Wall - 731-12350B
- Hose Assembly - 819-010501
- Hinge Pin - 711-06701
- Adapter Bracket - 819-010661
- Hitch Adapter Bracket - 789-02137
- RZT Bagger Weight - 719-04217A
- Weight Plates (3) - 789-02137
- Weight Hanger Bracket Left - 789-02197
- Weight Hanger Bracket Right - 789-021978
- Hardware Pack - 689-01419
- Anti-marking Adhesive Strips - 777X52246
- Bagger Boot Hardware Pack - 689-00636

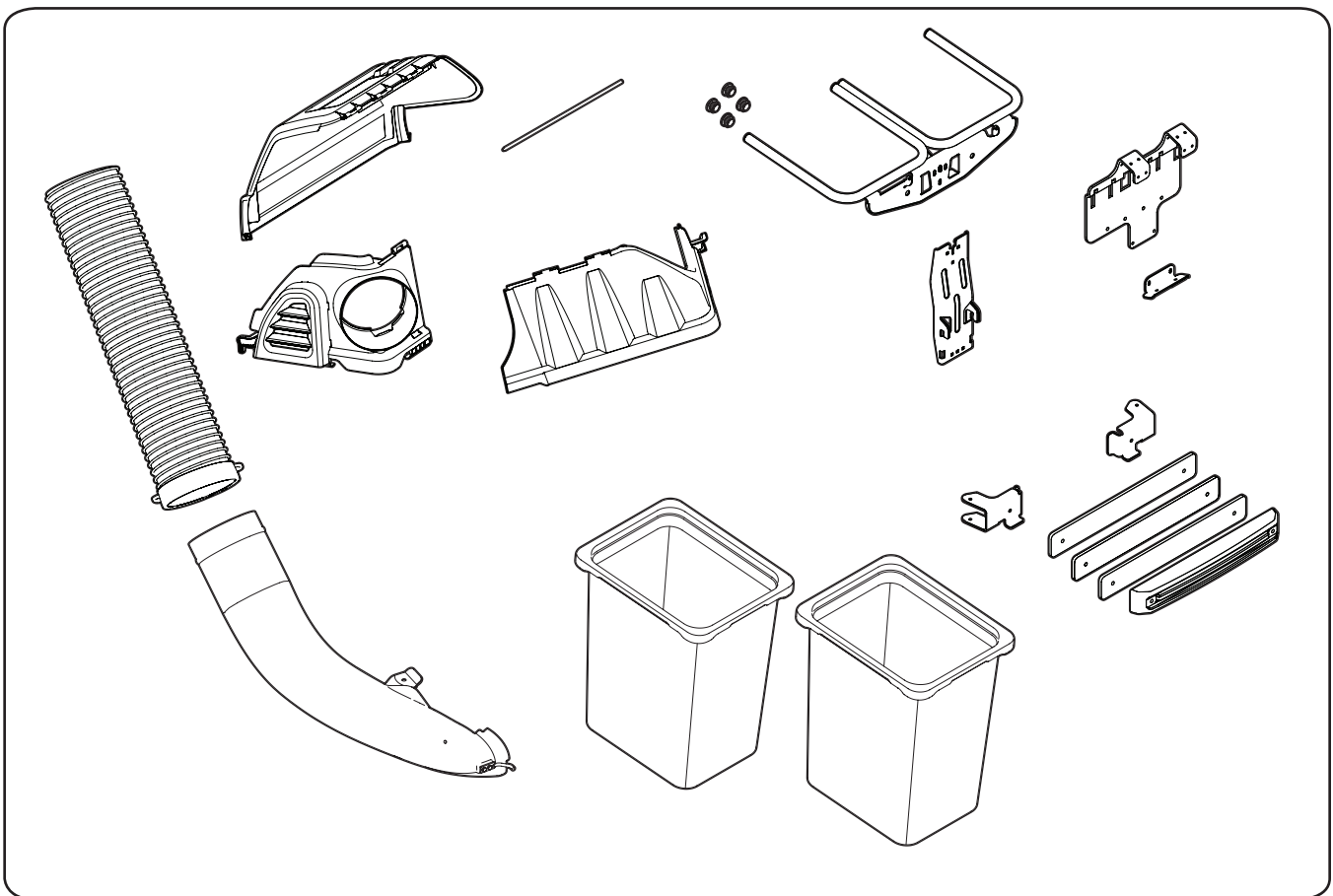


Figure 3-2

50/54" Double Bagger 19A70055100

Before beginning installation, remove all parts from the carton to make sure everything is present. Carton contents are listed below and shown in Fig. 3-3. The hardware pack included in this kit is detailed at the end of this section.

- Boot Assembly - 631-05103
- Grass Bag Assembly (2) - 664-05104
- Vertical Bagger Support - 683-04519C
- Grass Bag Support - 683-05329A
- Chute Adapter - 731-10133
- End Plugs (4) - 735-0246A
- Bagger Cover - 631-05474B
- Bagger Vent Wall Assembly - 631-05491B
- Bagger Cover Left Side Wall - 731-12350B
- Hose Assembly - 819-010699
- Hinge Pin - 711-06701
- Adapter Bracket - 819-010661
- Hitch Adapter Bracket - 789-02137
- RZT Bagger Weight - 719-04217A
- Weight Plates (3) - 789-02137
- Weight Hanger Bracket Left - 789-02197
- Weight Hanger Bracket Right - 789-021978
- Hardware Pack - 689-01419
- Anti-marking Adhesive Strips - 777X52246

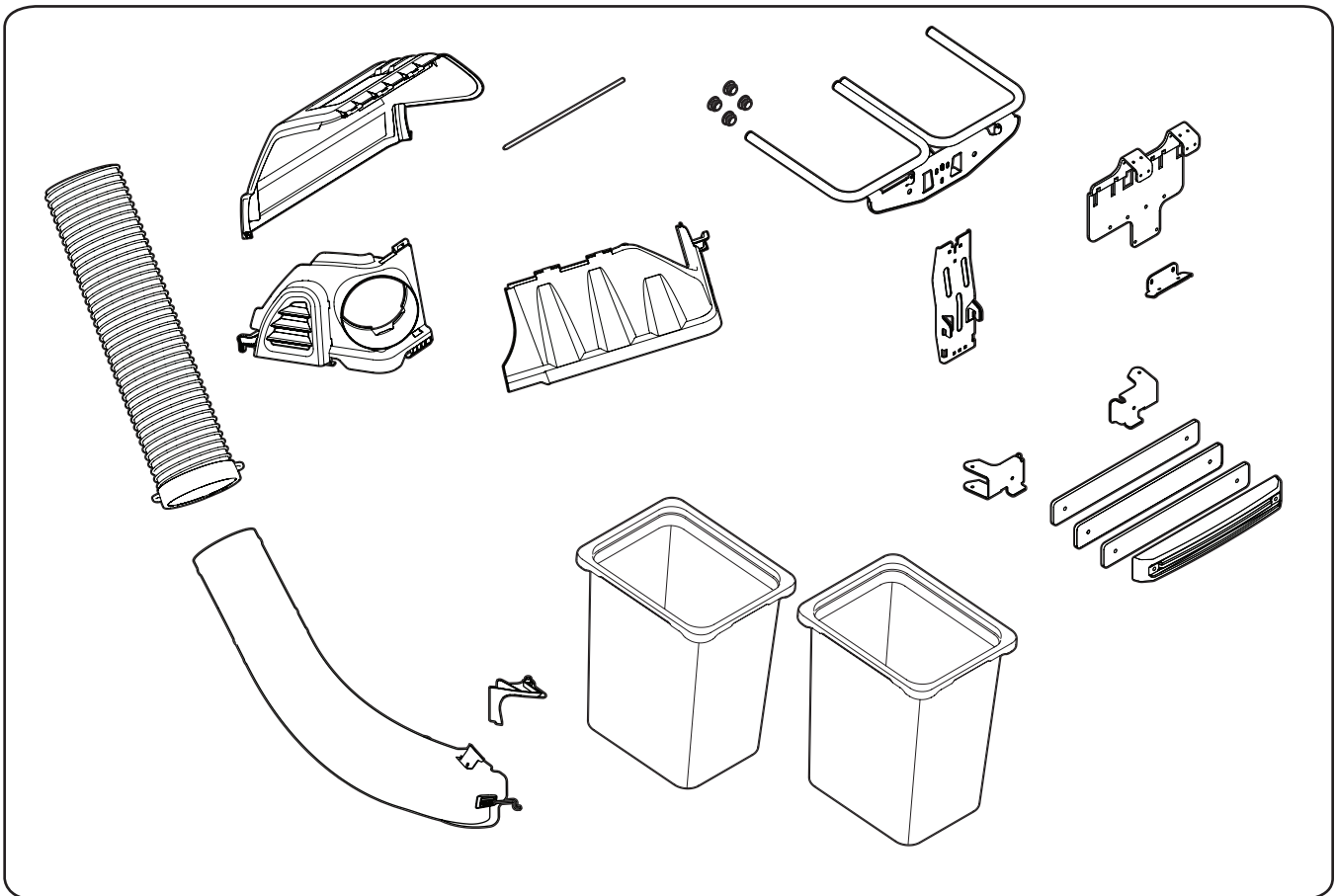
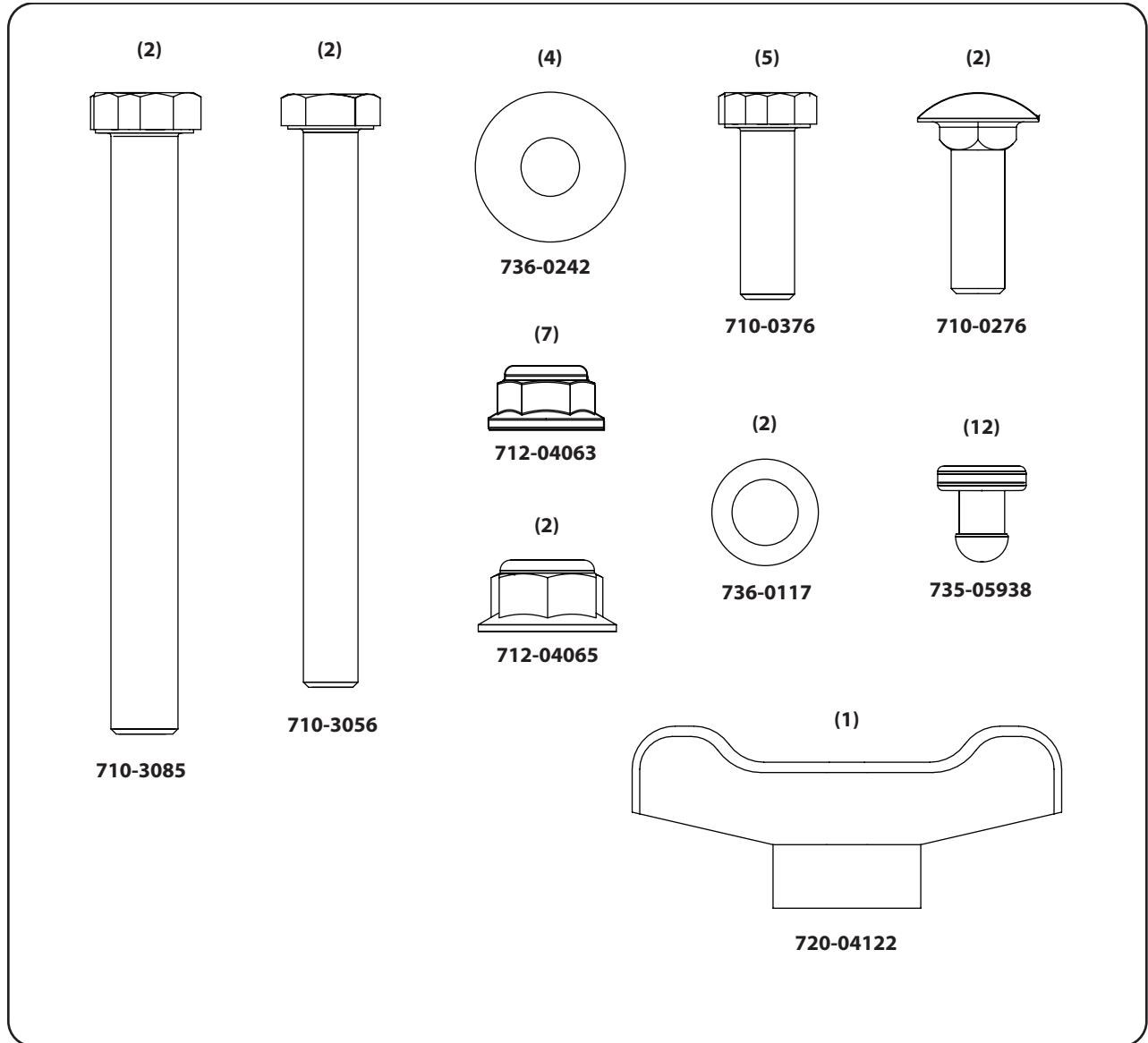


Figure 3-3

CONTENTS OF HARDWARE PACK

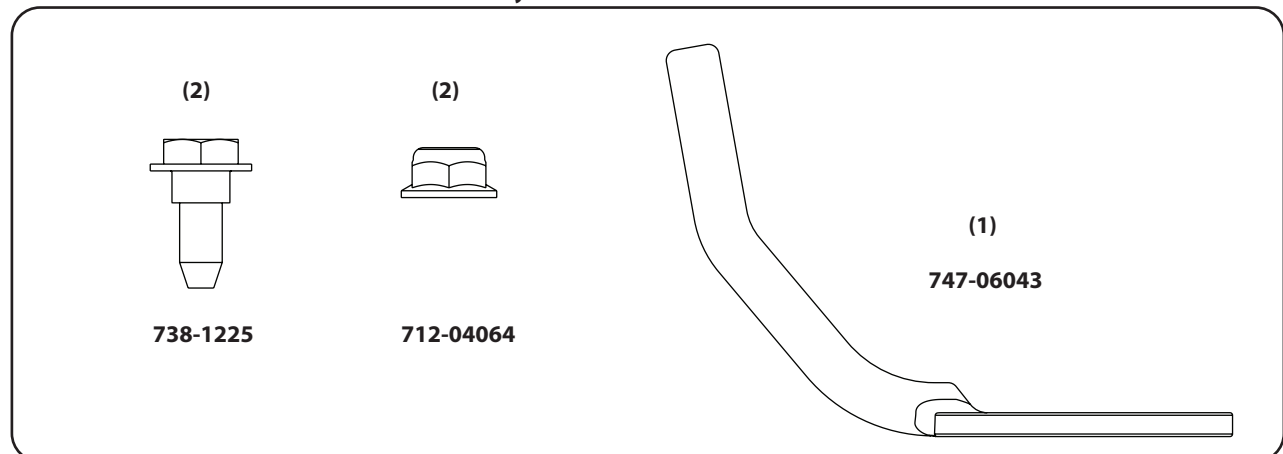
Please check your hardware packs against the illustrations below. The quantities for each item is listed in parenthesis.

Hardware Pack 689-01419



Hardware Pack 689-00636

*Only Included with 19A70054100



Assembly & Installation

NOTE: References to left, right, front and rear of the tractor are from the operator's position, unless otherwise stated.

- Before assembly, place the tractor on a firm, level surface, disengage the PTO, stop the tractor engine, and set the parking brake.

Assemble Mounting Brackets

1. Install 12 rubber pads (735-05938) into adapter bracket (789-02277) using the mounting holes shown in Figure 4-1.

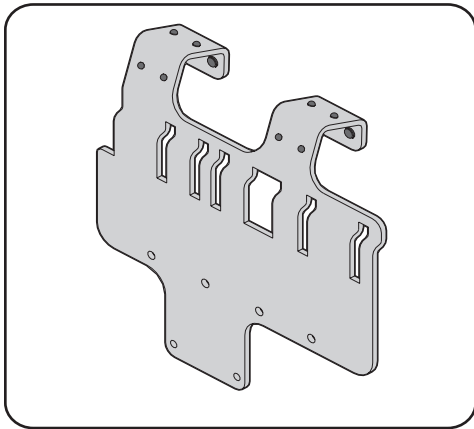


Figure 4-1

NOTE: Check the bumper pads after each season for excessive wear and replace as necessary.

Install Bracket Assembly on Tractor

NOTE: When assembling this mounting assembly, it is best to not fully tighten the bracket at this time. This will facilitate the mounting process in later steps, which will then require fully tightening this mounting assembly.

Note: The Triple Bagger 19A70056100 may only be attached to Ultima ZT2 series RZT's. Use Figure 4-2 to determine model by type of hitch bracket. Please contact customer service if you have any discrepancies.

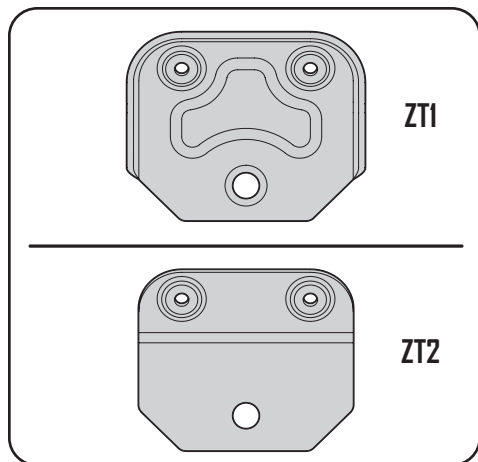


Figure 4-2

Install mounting bracket assembly on tractor as follows:

1. Remove hitch bracket.
2. **For ZT1 installation only:** Place two washers (736-0242) between hitch bracket adapter (789-02298) and the hitch bracket removed in Step 1.
3. Install bracket assembly to the tractor's lower frame with two capscrews (710-0376). See Figure 4-3.

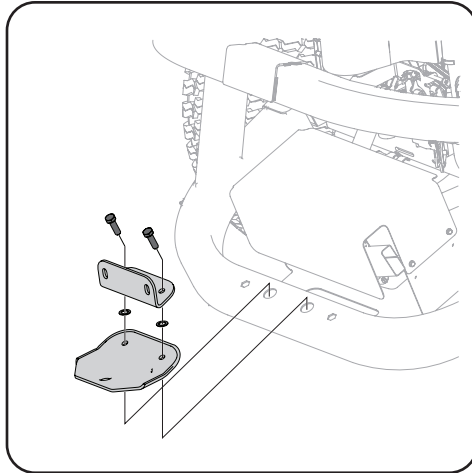


Figure 4-3

4. Hang adapter bracket assembly onto upper frame tube and connect to hitch bracket adapter (789-02298) with two screws (710-0376), two cup washers (736-0242), and two flange lock nuts (710-04063). See Figure 4-4.

Note: Make sure that the adapter bracket is seated firmly on the upper tube frame.

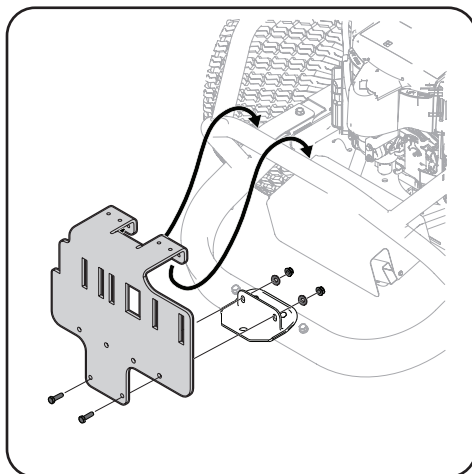


Figure 4-4

5. Tighten all of the hardware installed at this time.

Install Vertical Support

Note: This manual covers various bagger configurations. Please follow the instructions applicable to your machine.

1. Using Figure 4-5 and the chart below, locate the correct mounting hole location on the mounting bracket for your tractor:

Model No.	Description	Position
19A70054100	42/46" Double Bagger	4
19A70055100	50/54" Double Bagger	3
19A70056100	50/54" Triple Bagger	1

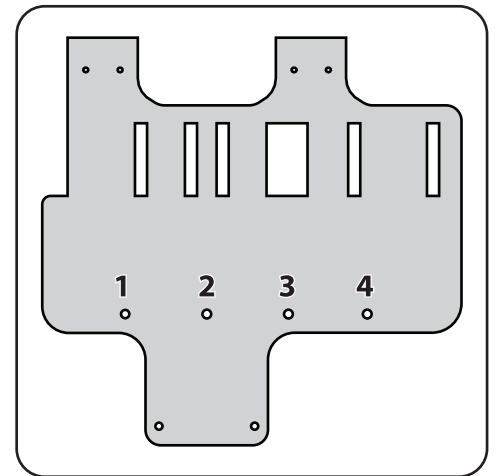


Figure 4-5

Note: Hole position 2 is currently not used.

2. Install the vertical support bracket onto the mounting assembly on the tractor by hooking it over the mounting assembly as shown in Figure 4-6.
3. Secure the upright support bracket to the mounting assembly using a hex bolt (710-0376) and flange lock nut (712-04063) from hardware pack 689-01419. See Figure 4-6.

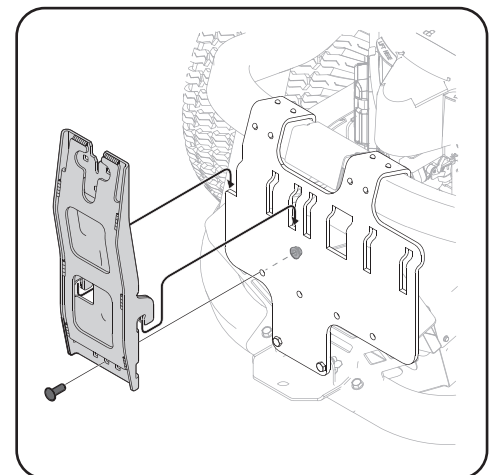


Figure 4-6

Install Hanger Assembly - Double Bagger Models

For model numbers 19A70054100 and 19A70055100, follow the steps below. For Triple Bagger model number 19A70056100, skip to the next section.

1. Install and secure the hanger assembly onto the upright support bracket using two carriage bolts (710-0276) two cup washers (736-0242) and two flange lock nuts (712-04063) from hardware pack 689-01419. See Figure 4-7.

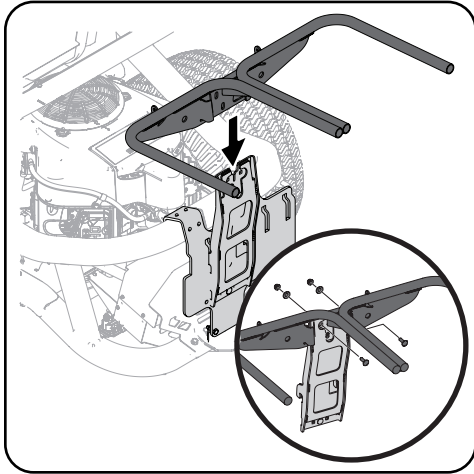


Figure 4-7

NOTE: The carriage bolts (710-0276), from hardware pack 689-01419, go in the top hole with the nut facing the engine. The hex bolt (710-0376), from the same hardware pack, goes in the bottom hole.

Install Hanger Assembly - Triple Bagger Model

For model number 19A70056100, follow the steps below.

2. Install and secure the hanger assembly onto the upright support bracket using two carriage bolts (710-0276) two cup washers and two flange lock nuts (712-04063) from hardware pack 689-01419. Figure 4-8.

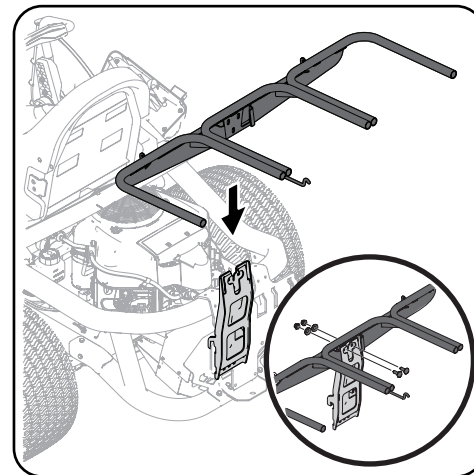


Figure 4-8

NOTE: The carriage bolts (710-0276), from hardware pack 689-01419, go in the top hole with the nut facing the engine. The hex bolt (710-0376), from the same hardware pack, goes in the bottom hole.

Install Top Bagger Components - Double Bagger Models

For model numbers 19A70054100 and 19A70055100, follow the steps below. For Triple Bagger model number 19A70056100, skip to the next section.

With the mounting brackets assembled and in place on the tractor, follow these steps to assemble the remaining bagger components.

1. **If not already installed by the factory,** snap the vent cover into the holes found on the chute support assembly.
2. Snap the plastic upper chute support in place by first clipping the side portion onto the bagger support rail (1) as shown in Figure 4-9.

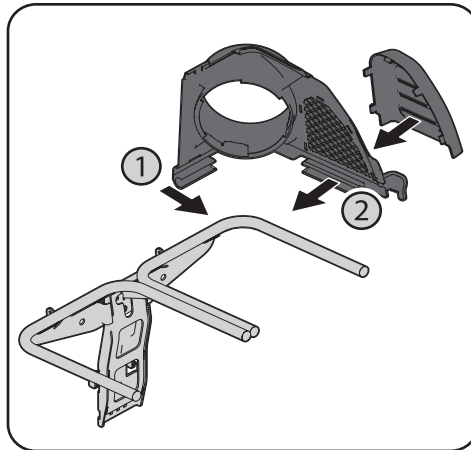


Figure 4-9

3. Snap the front side of the chute support to the rail (2) as shown in Figure 4-9.
4. Snap the top cover support onto the bagger support rail at a slight angle. Rotate the assembly down and into the chute support assembly, making sure that the tab (shown in inset of Figure 4-10) is locked into place.

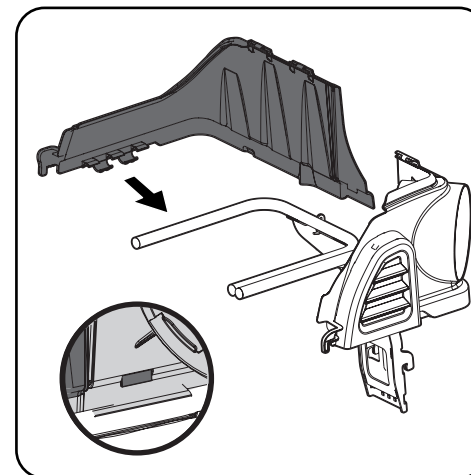


Figure 4-10

5. Install the bagger top cover by aligning the tabs of the cover and sliding the mounting pin into the channel as shown in Figure 4-11.

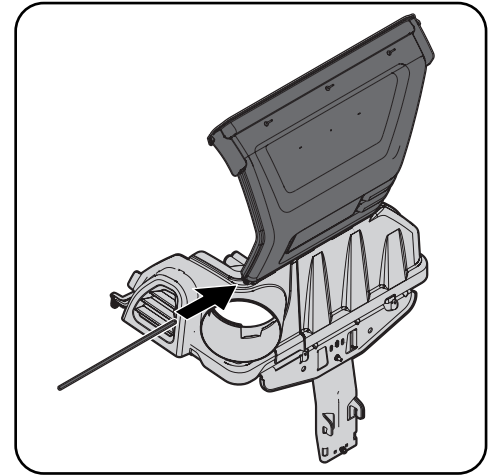


Figure 4-11

6. Open hood by pushing in on the rear side tabs with your hand (1), and lifting the cover with your other hand in the center rear of the bagger cover (2) as shown in Figure 4-12.

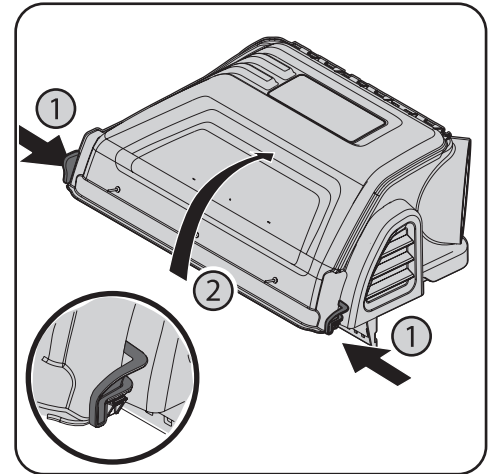


Figure 4-12

7. Install both bag assemblies onto the bag support brackets by inserting the front edge in first (1), and then setting the back edge down until it fits into the assembly (2) as shown in Figure 4-13.

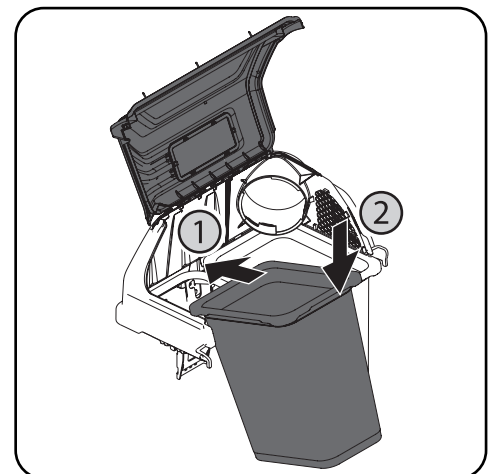


Figure 4-13

Install Top Bagger Components- Triple Bagger Model

For triple bagger model number 19A70056100, follow the steps below to install the bagger components.

With the mounting brackets assembled and in place on the tractor, follow these steps to assemble the remaining bagger components.

1. Snap the plastic upper chute support in place by first clipping the side portion onto the bagger support rail (1) as shown in Figure 4-14.

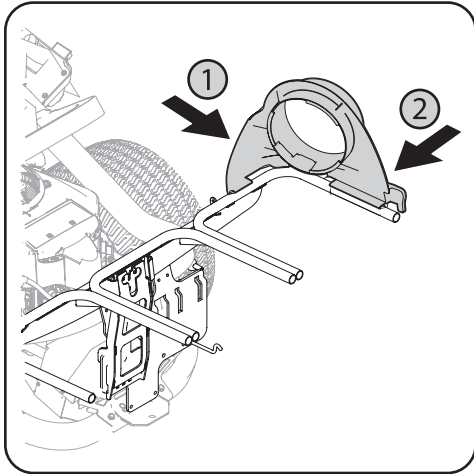


Figure 4-14

2. Snap the front side of the chute support to the rail (2), as shown in Figure 4-14.
3. **If not already installed by the factory,** install the bagger screen into the bagger cover by first inserting one end into the corresponding cutout mounting hole. Make sure to feed the screen under the lip, as in Figure 4-15.

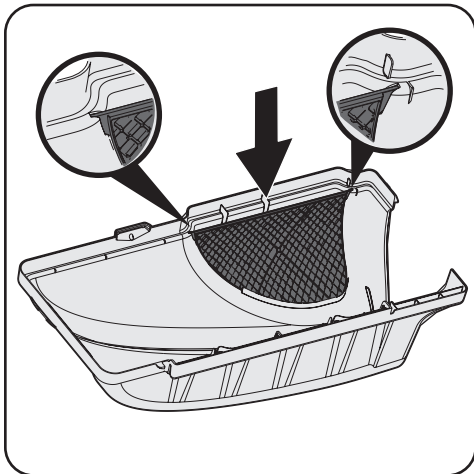


Figure 4-15

4. Install the bagger cover onto the bag support assembly, as seen in Figure 4-16. The plastic cover goes inside the two mounting tabs.

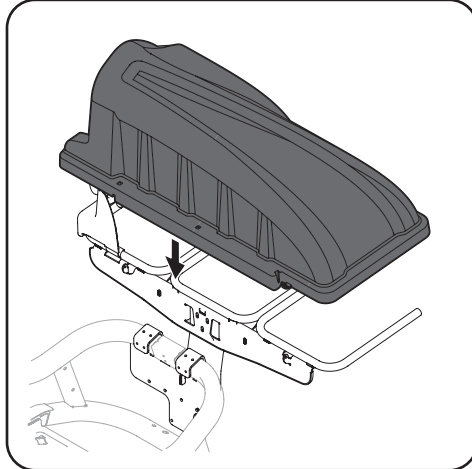


Figure 4-16

5. Slide the hinge pin into the hole located on the mounting tab, as shown in Figure 4-17. Use the cut-out windows (See inset in Figure 4-17) to line up the hinge pin on the other side and push pin all the way in until it reaches the end-stop. At this point the pin clips into place and is secured by a tab in the bagger cover.

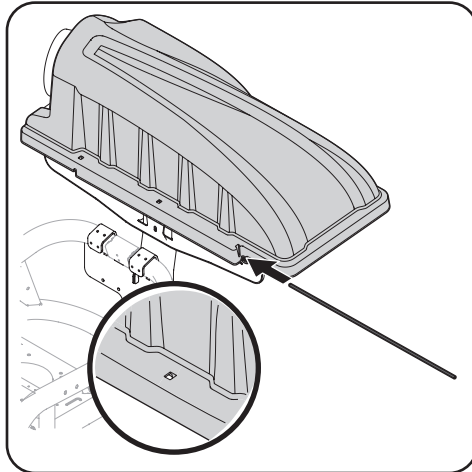


Figure 4-17

6. Open hood by pushing in on the rear, right-side tab with your right hand (1), and lifting the cover with your left hand in the center rear of the bagger cover (2) as shown in Figure 4-18.

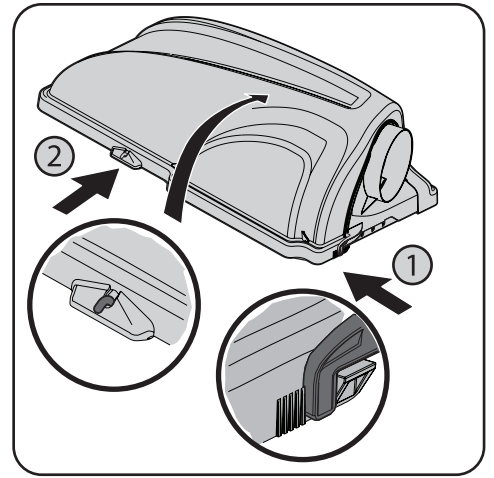


Figure 4-18

7. Install all three bag assemblies onto the bag support brackets by inserting the front edge in first (1), and then setting the back edge down until it fits into the assembly (2) as shown in Figure 4-19.

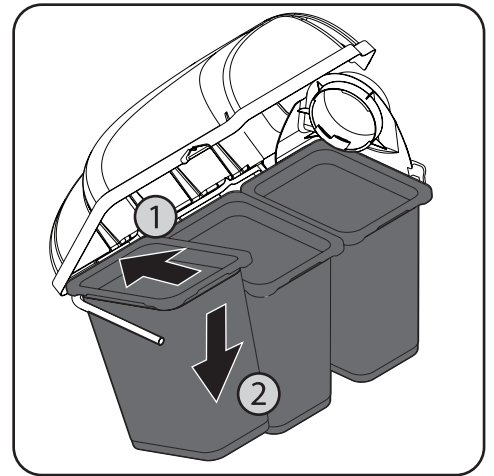


Figure 4-19

Installing the Discharge Chute - 19A70054100 42/46" Double Bagger

1. Install the boot rod mount (747-06043) to the boot using 2 shoulder screws (738-1225) and 2 flangelock nuts (712-04064) from hardware pack 689-00636. Ensure that the shoulder screws (738-1225) are installed on the interior of the boot. See Figure 4-20.

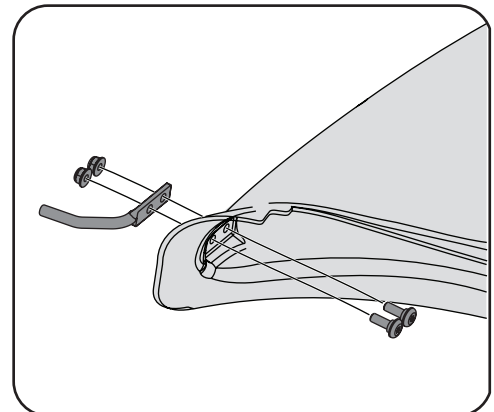


Figure 4-20

- With the tractor's discharge chute raised up and held open (1), install the chute elbow by placing the chute elbow mounting rod into the chute mounting tab (2), as shown in Figure 4-21.

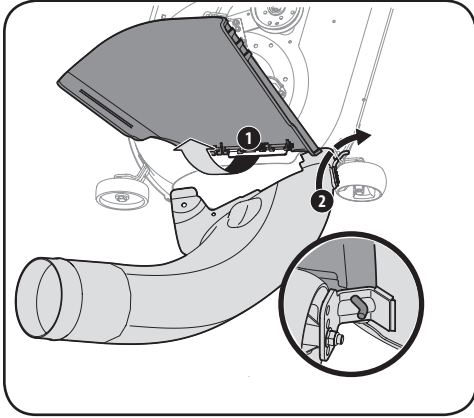


Figure 4-21

- Secure the chute elbow to the deck using a wing knob (720-04122) from hardware pack 689-01419. See Figure 4-22.

Note: If present, remove the protective cap off of the mounting stud on the mowing deck as shown in the upper inset of Figure 4-22.

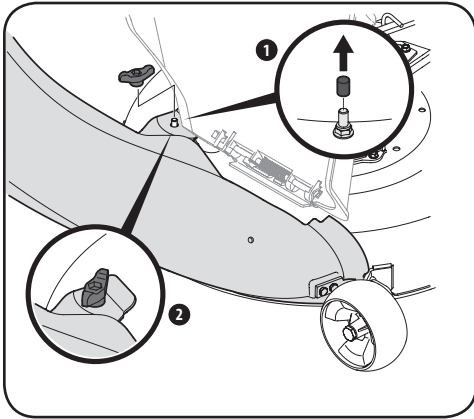


Figure 4-22

Important! Be certain that the bottom of the discharge chute is located inside of the lip of the deck opening, as shown in Figure 4-23.

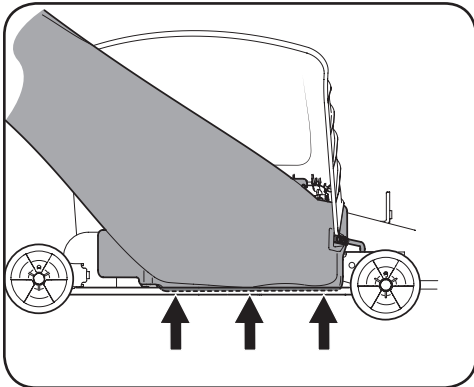


Figure 4-23

Installing the Discharge Chute - 19A70055100 & 19A70056100 50/54" Double and Triple Baggers

When installing the discharge chute, two different installation instructions exist. For the 54" Fabricated deck units, the discharge chute elbow mounts directly onto the cutting deck. For the 50" and 54" stamped decks, an adapter must first be installed. Be sure to follow the instructions that pertain to the unit you are installing this bagger on.

54" Fabricated Deck Units:

- Raise the deck to its highest position.
- Raise the chute deflector (1 in Figure 4-24) on the deck and hold it while you position the discharge chute over the chute opening.

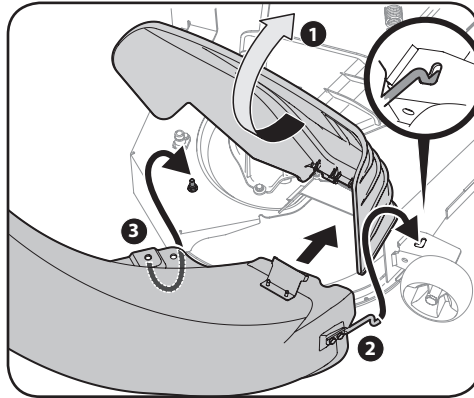


Figure 4-24

- Insert the end of the discharge chute elbow (2) into the hole provided in the deck wheel mount as shown in the inset of Figure 4-24.
- Pivot the discharge chute rearward until the hole in the discharge chute elbow aligns with the pin on the deck. Move the discharge elbow down onto that pin as shown in 3 of Figure 4-24.
- Secure the discharge chute elbow to the cutting deck using a (720-04122) wing knob included with the bagger kit. Refer to Figure 4-25.

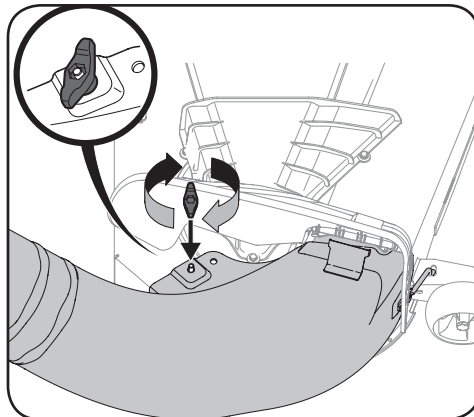


Figure 4-25

On 50" and 54" Stamped Decks:

- Raise the deck to its highest position.
- Remove the deck pin rubber protective cap, 1 in Figure 4-26.
- Raise the chute deflector (2 in Figure 4-26) on the deck and hold it while you install the (731-10133) chute adapter (3), included in hardware pack 689-01419, onto the deck as shown in Figure 4-26.

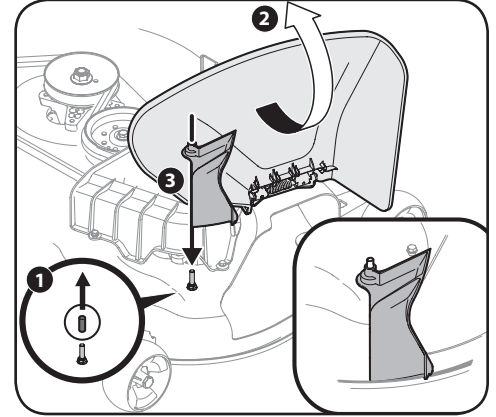


Figure 4-26

- Insert the end of the discharge chute elbow (1) into the hole provided in the deck wheel mount as shown in the inset of Figure 4-27.

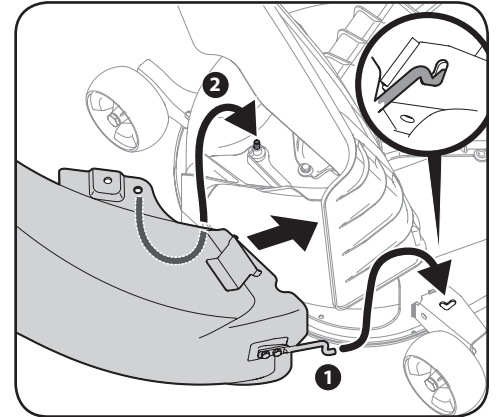


Figure 4-27

- Pivot the discharge chute rearward until the hole in the discharge chute elbow aligns with the pin on the deck adapter. Move the discharge elbow down onto that pin as shown in 2 of Figure 4-27.

- Secure the discharge chute elbow to the cutting deck using a (720-04122) wing knob included in hardware pack 689-01419. Refer to Figure 4-28.

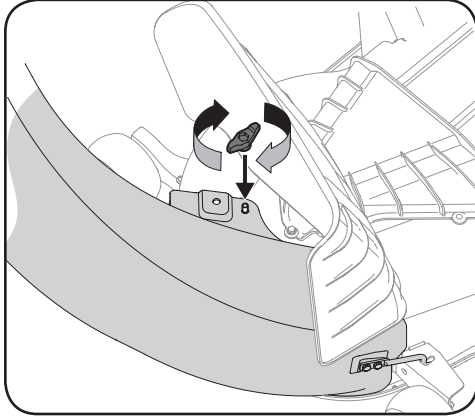


Figure 4-28

Installing the Upper Chute Tube - All Models

- Thread the upper end of the chute tube securely into the upper chute support. There are two tabs on the lower inside part of the upper chute support to allow for secure threading. See Figure 4-29.

NOTE: The chute tube and upper chute support are **left-hand threaded**. Thread counterclockwise until secure.

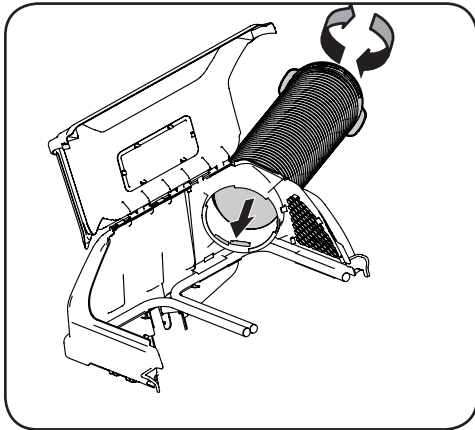


Figure 4-29

- Lift by the handles at the bottom of the chute tube. Slide the chute tube over the chute elbow mounted on the cutting deck, as shown in Figure 4-30.

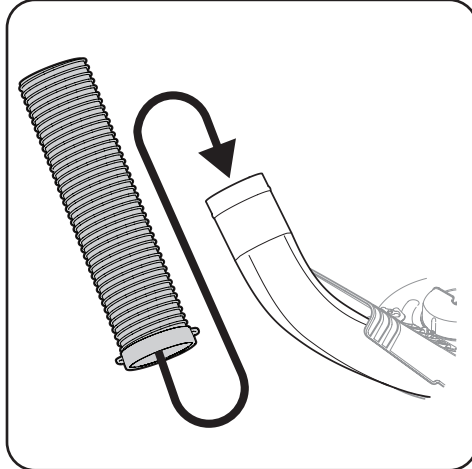


Figure 4-30

- Make sure the connection is secure and there are no gaps between the chute tube and the chute elbow.
- If open, close the grass catcher cover prior to mowing.

Install The Counter Weight



WARNING: This front-weight kit is required when operating any compatible RZT models equipped with a grass collector. Failure to install this kit may result in serious injury or death.



WARNING: Before beginning installation, place the RZT on a firm and level surface, set the parking brake, place the PTO in the disengaged (OFF) position, stop the motor and remove the ignition key to prevent unintended starting.

- Before assembly, peel the adhesive decals from the sheet and apply to the inside faces of the right and left weight hanger brackets, as shown in Figure 4-31.

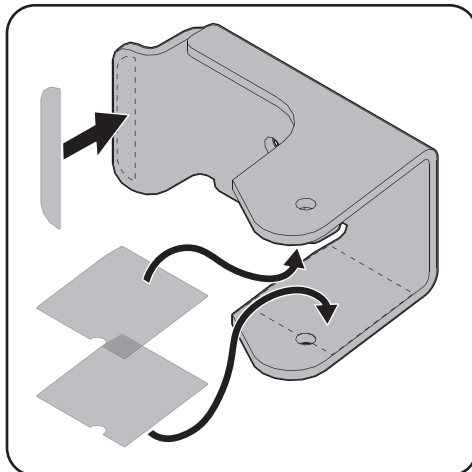


Figure 4-31

- Attach the weight and three weight plates to the weight hanger brackets with two 3/8" Hex head capscrews (710-3085) and two nuts (712-04065) as shown in Figure 4-32.

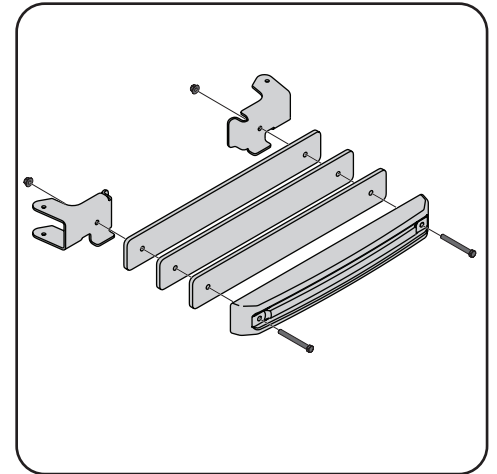


Figure 4-32

- Visually center the weight bar assembly on the tractor and using two 5/16" Hex head capscrews (710-3056) and two nuts (712-04063) secure the counter weight assembly to the tractor as shown in Figure 4-33.

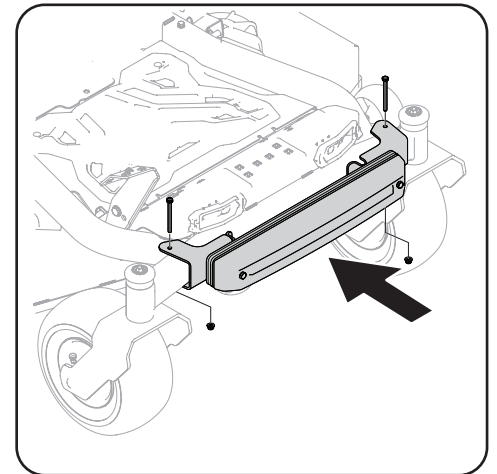


Figure 4-33

Triple Bagger Usage

NOTE: When all grass bags are full, place the tractor on a firm, level surface, disengage the PTO, turn the tractor engine off and set the parking brake.

1. Open the grass catcher hood by pushing in on the rear, right-side tab with your right hand, as seen in 1 of Figure 5-1, and lifting the cover with your left hand in the center rear of the bagger cover, 2.

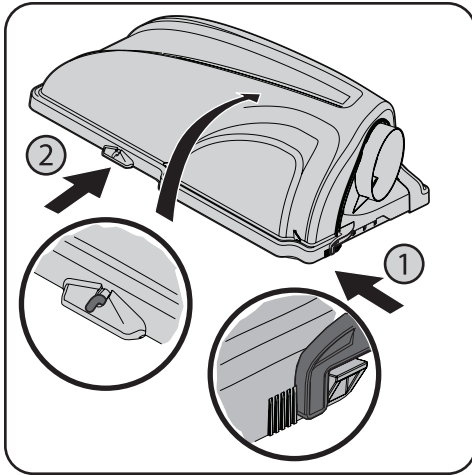


Figure 5-1

2. Do not remove the chute tube assembly from the tractor.
3. Remove the three bag assemblies from the bag support brackets by lifting the front edge up first, and then sliding the back edge forward and up until it is clear of the frame as shown in Figure 5-2.

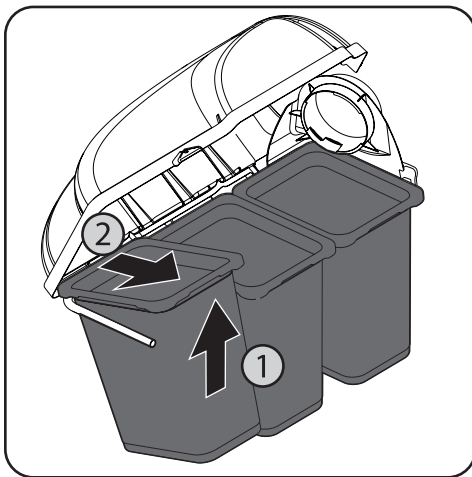


Figure 5-2

4. Empty the grass clippings at a proper disposal site, use the handle at the bottom of each grass bag. Holding the bag firmly, empty the contents
5. Replace grass bags, close lid, flip down seat, restart your tractor, release parking brake and resume cutting your grass.

Double Bagger Usage

NOTE: When both grass bags are full, place the tractor on a firm, level surface, disengage the PTO, turn the tractor engine off and set the parking brake.

1. Open hood by pushing in on the rear side tabs with your hand (1), and lifting the cover with your other hand in the center rear of the bagger cover (2) as shown Figure 5-3.

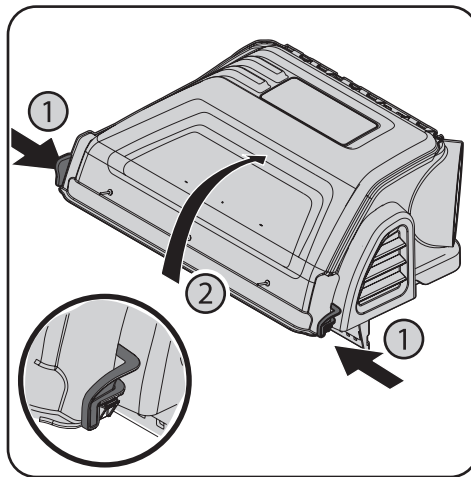


Figure 5-3

2. Do not remove the chute tube assembly from the tractor.

3. Remove both bag assemblies from the bag support brackets by lifting the front edge up first, and then sliding the back edge forward and up until it is clear of the frame. See Figure 5-4.

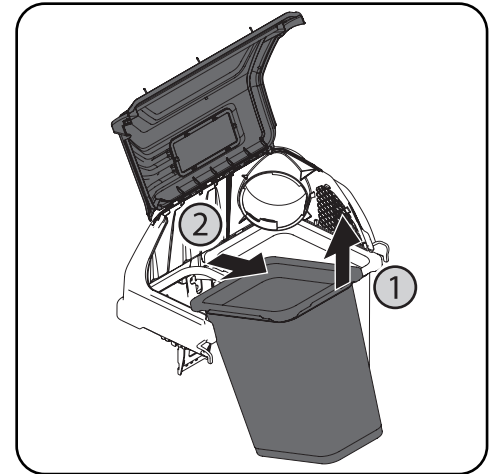


Figure 5-4

4. Empty the grass clippings at a proper disposal site, use the handle at the bottom of each grass bag. Holding the bag firmly, empty the contents
5. Replace grass bags, close lid, flip down seat, restart your tractor, release parking brake and resume cutting your grass.

Blank writing area with horizontal lines.

CUB CADET LLC

MANUFACTURER'S LIMITED WARRANTY

FOR SEPARATELY SOLD ATTACHMENTS AND ACCESSORIES

IMPORTANT: To obtain warranty coverage owner may be required to present an original proof of purchase and applicable maintenance records to the servicing dealer. Please see the operator's manual for information on required maintenance and service intervals.

The limited warranty set forth below is given by Cub Cadet LLC with respect to new merchandise purchased or leased and used in the United States and/or its territories and possessions, and by MTD Products Limited with respect to new merchandise purchased or leased and used in Canada and/or its territories and possessions (either entity respectively, "Cub Cadet").

Cub Cadet warrants this product (excluding its *Normal Wear Parts*, as described below) against defects in material and workmanship for a period of two (2) years commencing on the date of original retail purchase or lease and will, at its option, repair or replace, free of charge, any part found to be defective in materials or workmanship.

Normal Wear Parts are warranted to be free from defects in material and workmanship for a period of thirty (30) days from the date of original purchase or lease. Normal wear parts include, but are not limited to items such as: belts, blades, blade adapters, grass bags, rider deck wheels, seats, and tires.

This limited warranty shall only apply if this product has been operated and maintained in accordance with the Operator's Manual furnished with the product, and has not been subject to misuse, abuse, neglect, accident, improper maintenance, alteration, vandalism, theft, fire, water, or damage because of other peril or natural disaster. Damage resulting from the installation or use of any part, accessory or attachment not approved by Cub Cadet for use with the product(s) covered by this manual will void your warranty as to any resulting damage. In addition, Cub Cadet may deny warranty coverage if the hour meter, or any part thereof, is altered, modified, disconnected or otherwise tampered with.

HOW TO OBTAIN SERVICE: Warranty service is available, WITH PROOF OF PURCHASE AND APPLICABLE MAINTENANCE RECORDS, through your local authorized service dealer. To locate the dealer in your area:

In the U.S.A.

Check your Yellow Pages, or contact Cub Cadet LLC at P.O. Box 361131, Cleveland, Ohio 44136-0019, call 1-877-282- 8684 or log on to our website at www.cubcadet.com.

In Canada

Contact MTD Products Limited, Kitchener, ON N2G 4J1, call 1-800-668-1238 or log on to our website at www.mtdcanada.com.

Without limiting the foregoing, this limited warranty does not provide coverage in the following cases:

- a. Routine maintenance items such as lubricants, filters, blade sharpening, tune-ups, brake adjustments, clutch adjustments, deck adjustments, and normal deterioration of the exterior finish due to use or exposure.
- b. Service completed by someone other than an authorized service dealer.
- c. Cub Cadet does not extend any warranty for products sold or exported outside of the United States and/or Canada, and their respective possessions and territories, except those sold through Cub Cadet's authorized channels of export distribution.
- d. Replacement parts and/or accessories that are not genuine Cub Cadet parts.
- e. Transportation charges and service calls.
- f. Commercial or Institutional Use.

There are no implied warranties, including without limitation any implied warranty of merchantability or fitness for a particular purpose. No warranties shall apply after the applicable period of express written warranty above. No other express warranties beyond those mentioned above, given by any person or entity, including a dealer or retailer, with respect to any product, shall bind Cub Cadet. The exclusive remedy is repair or replacement of the product as set forth above.

The terms of this warranty provide the sole and exclusive remedy arising from the sale and/or lease of the products covered hereby. Cub Cadet shall not be liable for any incidental or consequential loss or damage including, without limitation, expenses incurred for substitute or replacement lawn care services or for rental expenses to temporarily replace a warranted product.

Some jurisdictions do not allow the exclusion or limitation of incidental or consequential damages, or limitations on how long an implied warranty lasts, so the above exclusions or limitations may not apply to you.

In no event shall recovery of any kind be greater than the amount of the purchase price of the product sold. **Alteration of safety features of the product shall void this warranty.** You assume the risk and liability for loss, damage, or injury to you and your property and/or to others and their property arising out of the misuse or inability to use the product.

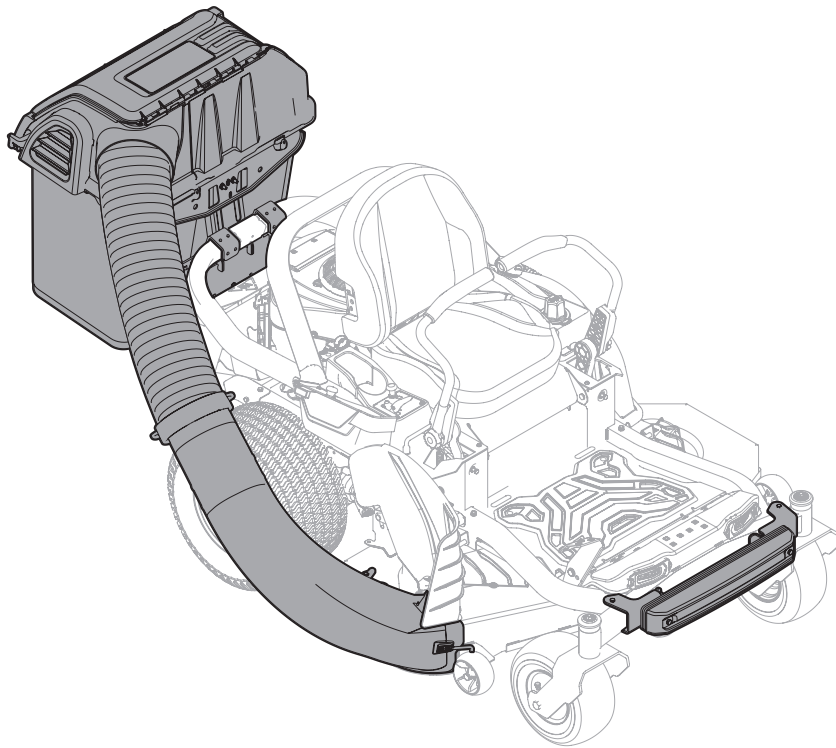
This limited warranty shall not extend to anyone other than the original purchaser or to the person for whom it was purchased as a gift.

HOW LOCAL LAWS RELATE TO THIS WARRANTY: This limited warranty gives you specific legal rights, and you may also have other rights that vary in different jurisdictions.

Cub Cadet LLC, P.O. BOX 361131 CLEVELAND, OHIO 44136-0019, Phone: 1-877-282-8684
MTD Products Limited, Kitchener, ON N2G 4J1, Phone: 1-800-668-1238

Cub Cadet®

MANUAL DEL OPERADOR



Embolsadoras posteriores, doble y triple - Modelo N.º 19A70054100, 19A70055100, 19A70056100

⚠ ADVERTENCIA

LEA TODAS LAS REGLAS Y LAS INSTRUCCIONES DE SEGURIDAD DE ESTE MANUAL
ANTES DE INTENTAR OPERAR ESTA MÁQUINA Y RESPÉTELAS.
SI NO SIGUE ESTAS INSTRUCCIONES, SE PUEDEN PROVOCAR LESIONES PERSONALES.

CUB CADET LLC, P.O. BOX 361131 CLEVELAND, OHIO 44136-0019



Muchas gracias

Gracias por comprar el accesorio de embolsado fabricado por Cub Cadet. Ha sido cuidadosamente diseñado para brindar excelente rendimiento si se lo hace funcionar y se lo mantiene correctamente.

Por favor lea todo este manual antes de hacer funcionar el equipo. El manual le indica cómo configurar, operar y mantener el equipo de manera fácil y segura. Por favor asegúrese de que usted, y cualquier otra persona que utilice la máquina, siga atentamente y en todo momento las medidas de seguridad recomendadas. De lo contrario, se podrían producir lesiones personales o daños materiales.

Toda la información contenida en este manual hace referencia a la más reciente información de producto disponible en el momento de la impresión. Revise el manual frecuentemente para familiarizarse con el equipo, sus características y funcionamiento. Por favor tenga en cuenta que este Manual del Operador puede abarcar una variedad de especificaciones de producto para diversos modelos. Es posible que las

características y/o funciones incluidas y/o ilustradas en este manual no se apliquen a todos los modelos. Nos reservamos el derecho de modificar las especificaciones de los productos, diseños y equipos sin previo aviso y sin generar responsabilidad por obligaciones de ningún tipo.

Si tiene algún problema o duda con respecto a este equipo, llame a su distribuidor Cub Cadet local o comuníquese directamente con nosotros. En esta página encontrará los números de teléfono, la dirección del sitio web y la dirección postal del Servicio de Atención al Cliente de Cub Cadet. Queremos garantizar su entera satisfacción en todo momento.

En este manual, todas las referencias al lado derecho *e izquierdo* de la máquina se hacen observándola desde la posición de operación.

Índice

Prácticas de funcionamiento seguras.....	19	Funcionamiento.....	30
Contenido de la caja y paquetes de ferretería	21	Garantía.....	32
Armado e instalación.....	25	Francés.....	33

Registro de información de producto

Antes de configurar y hacer funcionar su equipo nuevo, por favor localice la placa de modelo en el equipo y registre la información en el espacio de la derecha. Podrá localizar la placa de modelo en la parte exterior de la cubierta de la embolsadora. La placa de modelo contiene los números de serie y de modelo de la unidad. Necesitará esta información si tiene que solicitar soporte técnico a través de nuestro sitio web, el Servicio de Atención al Cliente, o de un distribuidor local de servicio autorizado.

NÚMERO DE MODELO

--	--	--	--	--	--	--	--	--	--	--

NÚMERO DE SERIE

--	--	--	--	--	--	--	--	--	--	--

Servicio de Atención al Cliente

En caso de tener problemas para montar este producto o de tener dudas respecto de los controles, funcionamiento o mantenimiento de esta máquina, puede solicitar la ayuda de los expertos. Seleccione una de las opciones siguientes:

- ◇ Visite nuestro sitio web en www.cubcadet.com
- ◇ Llame a un representante del Servicio de Atención al Cliente al (800) 965-4CUB
- ◇ Localice a su distribuidor Cub Cadet más cercano llamando al (877) 282-8684
- ◇ Escribanos a Cub Cadet LLC • P.O. Box 361131 • Cleveland, OH • 44136-0019

Medidas de seguridad importantes



¡ADVERTENCIA! Este símbolo indica instrucciones de seguridad importantes que, de no seguirse, podrían poner en peligro la seguridad personal y/o la propiedad suya y de terceros. Lea y cumpla todas las instrucciones de este manual antes de intentar hacer funcionar esta máquina. Si no sigue estas instrucciones, se pueden provocar lesiones personales. Cuando vea este símbolo, **¡TENGA EN CUENTA LA ADVERTENCIA!**



¡PELIGRO! Este accesorio está diseñado para ser usado respetando las normas de seguridad contenidas en este manual. Un descuido o un error por parte del operador puede ocasionar lesiones graves. Una cortadora es capaz de amputar manos y pies y de arrojar objetos con gran fuerza. Si no se respetan las siguientes instrucciones de seguridad junto con las instrucciones suministradas con la cortadora, se pueden ocasionar lesiones graves e incluso la muerte.



PROPOSICIÓN 65 DE CALIFORNIA

¡ADVERTENCIA! Este producto contiene una sustancia química que según el Estado de California puede producir cáncer, defectos de nacimiento u otros problemas reproductivos.

Funcionamiento general

- Lea, comprenda y respete todas las instrucciones que figuran en el equipo y en los manuales antes de intentar armarlo y hacerlo funcionar. Guarde este manual en un lugar seguro para consultas futuras y periódicas, así como para solicitar repuestos.
- Para ayudar a evitar una lesión por contacto con las cuchillas o con un objeto que sea arrojado, mantenga a los observadores, a los ayudantes, a niños y mascotas alejados a no menos de 75 pies de la cortadora mientras está funcionando. Pare la máquina si alguien ingresa a la zona.
- Revise minuciosamente el área donde se va a usar el equipo. Saque todas las piedras, palos, cables, huesos, juguetes y demás objetos extraños que puedan ser recogidos y arrojados por las cuchilla(s). Los objetos arrojados por la máquina pueden producir lesiones personales graves.
- Para protegerse los ojos, utilice siempre anteojos o antiparras de seguridad durante la operación o mientras realiza ajustes o reparaciones. Los objetos arrojados que rebotan pueden producir lesiones graves en los ojos.
- Nunca opere la cortadora de césped si no está bien colocada la cubierta de descarga o el colector de césped completo. Si falta la cubierta de descarga o está dañada o un componente del accesorio de embolsadora falta, se pueden producir lesiones por contacto con la cuchilla o con objetos arrojados.
- No ponga las manos ni los pies cerca de las piezas rotatorias ni debajo de la plataforma de corte. El contacto con las cuchilla(s) puede amputar manos y pies.
- Apague el motor de la cortadora de césped y espere que las cuchillas se detengan totalmente antes de desbloquear la abertura de descarga de la cortadora o las piezas de la embolsadora.
- Reduzca la velocidad antes de girar. Haga funcionar la máquina de manera uniforme. Evite que funcione de manera errática y a excesiva velocidad. Tenga en cuenta que el accesorio colector de césped puede afectar las características de manejo de su cortadora.
- Desenganche la o las cuchilla(s), coloque el freno de mano, detenga el motor y espere hasta que las cuchillas se detengan totalmente antes de abrir la cubierta superior del accesorio embolsador, sacar el colector de césped, vaciar los recortes, desbloquear el canal, retirar cualquier residuo o desecho o realizar cualquier ajuste. Nunca deje la máquina encendida sin atención. Siempre desconecte las cuchillas, ponga la transmisión en punto muerto, ponga el freno de mano, detenga el motor y retire la llave antes de bajarse del

vehículo.

- Su máquina está diseñada para cortar césped residencial normal. No intente cortar césped demasiado crecido, seco (como un pastizal) ni pilas de hojas secas. El césped o las hojas secas pueden entrar en contacto con el escape del motor y/o acumularse en la plataforma de corte presentando un potencial peligro de incendio.
- Si se presentan situaciones que no están previstas en este manual, tenga cuidado y use el sentido común. Póngase en contacto con su representante de atención al cliente para obtener ayuda.

Operación en pendientes

Las pendientes son un factor importante en los accidentes ocasionados por pérdida de control y vuelcos que pueden causar lesiones graves e incluso la muerte. Los accesorios también pueden afectar la estabilidad de la máquina. Todas las pendientes requieren precaución extra.

Para su seguridad, use el medidor de pendientes que se incluye como parte de este manual para calcular el ángulo de las pendientes antes de hacer funcionar la máquina en una zona accidentada. Si la pendiente aparece como mayor de 10 grados en el medidor, no haga funcionar la cortadora con el accesorio para bolsas de césped en ese sector, pues podría causar lesiones graves.

Si:

- Corte hacia arriba y abajo de las pendientes, no en forma transversal. Tenga sumo cuidado al cambiar de dirección en una pendiente.
- Esté atento a los hoyos, surcos, baches, rocas, u otros objetos ocultos. El terreno desnivelado puede voltear la máquina. El césped alto puede ocultar obstáculos.
- Conduzca a baja velocidad. Seleccione una velocidad lo suficientemente baja como para que no necesite detenerse o cambiar de marcha estando en pendiente. Los neumáticos pueden perder tracción en las pendientes aun cuando los frenos funcionen correctamente. Siempre mantenga la máquina en cambio mientras desciende una pendiente para poder frenar con el motor.
- Siga las recomendaciones del fabricante sobre los pesos o contrapesos de las ruedas para mejorar la estabilidad. Haga que todos los movimientos en las pendientes sean lentos y graduales. No realice cambios bruscos de velocidad o dirección. Hacer un cambio o frenar repentinamente puede hacer que el frente de la máquina se levante y vuelque rápidamente hacia atrás dando lugar a lesiones graves.

- Evite arrancar o detenerse en una pendiente. Si las ruedas pierden tracción, desacople las cuchillas y descienda la pendiente lentamente.

No:

- No gire en pendiente a menos que sea necesario; si lo hace, gire lenta y gradualmente cuesta abajo, si es posible.
- No corte el césped cerca de barrancos, zanjas o terraplenes. La cortadora puede volcarse repentinamente si una de las ruedas pasa el borde de un acantilado o zanja o si se desmorona un borde.
- No intente estabilizar la máquina poniendo el pie en el suelo.
- No utilice colector de césped en pendientes empinadas.
- No corte el césped húmedo. La falta de tracción puede hacer que patine.

Servicio general

- Antes de limpiar, reparar o inspeccionar la máquina, compruebe que la(s) cuchilla(s) y todas las piezas móviles se hayan detenido. Desconecte el cable de la bujía y póngalo haciendo tierra contra el motor para evitar que se encienda accidentalmente.
- Mantenga todos los pernos, tuercas y tornillos bien ajustados para asegurarse que la máquina se encuentra en condiciones seguras de operación.
- Nunca intente violar el sistema de bloqueo de seguridad u otros mecanismos de seguridad de la cortadora. Compruebe regularmente que estos elementos funcionen correctamente.
- No intente nunca hacer ajustes o reparaciones a la cortadora mientras el motor está en marcha.
- Los componentes del colector de césped y la cubierta de descarga están sujetos a desgaste y daños que podrían dejar expuestas piezas que se mueven o permitir que se arrojen objetos. Para proteger su seguridad, verifique frecuentemente los componentes y reemplácelos inmediatamente por piezas del fabricante del equipo original (O.E.M.) solamente que se indican en este manual. El uso de piezas que no cumplen con las especificaciones del equipo original puede resultar en rendimiento inadecuado y puede poner en peligro la seguridad!
- Mantenga o reemplace las etiquetas de seguridad instrucciones según sea necesario.

Símbolos de seguridad

En esta tabla se presentan y describen los símbolos de seguridad que pueden aparecer en este producto. Lea, entienda y cumpla todas las instrucciones incluidas en la máquina antes de intentar realizar el montaje de la unidad y utilizarla.

Símbolo	Descripción
	Lea, entienda y cumpla todas las instrucciones incluidas en los manuales antes de realizar el montaje de la unidad y de utilizarla.
	DETENGA Apague el motor antes de abrir la cubierta de la embolsadora.



¡ADVERTENCIA! Su Responsabilidad--Sólo permita que usen esta máquina eléctrica las personas que lean, comprendan y respeten las advertencias e instrucciones que aparecen en este manual y en la máquina.

¡GUARDE ESTAS INSTRUCCIONES!

Indicador de pendiente

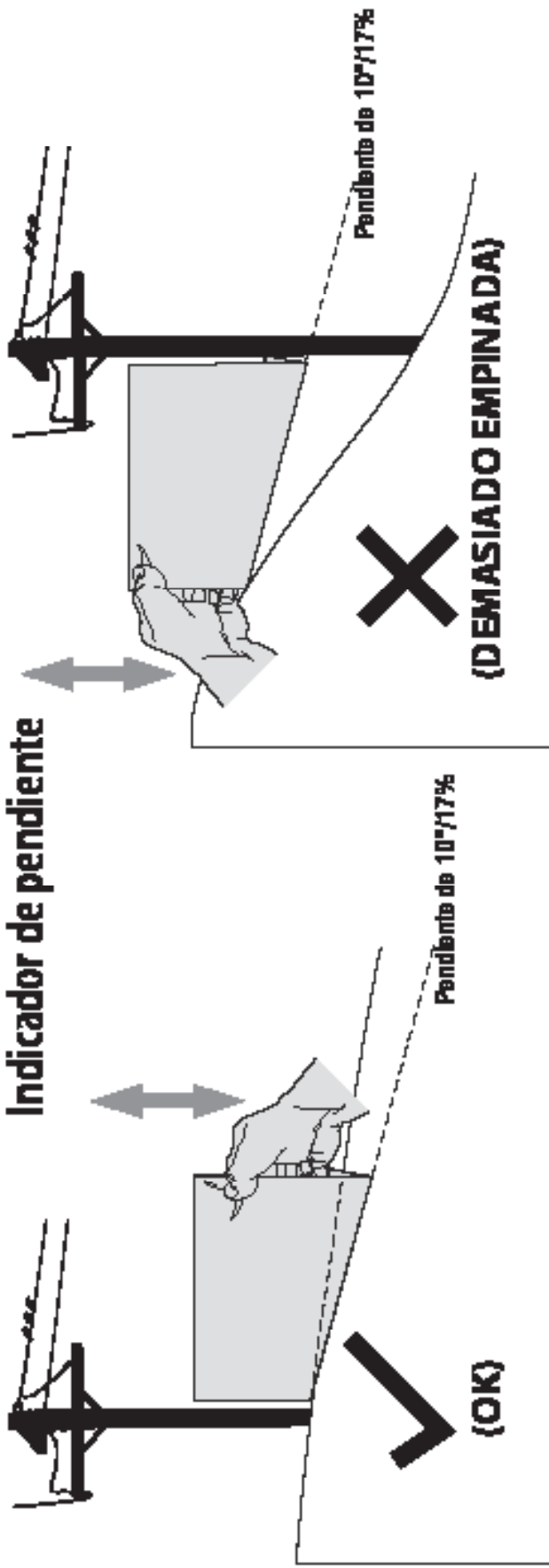


Figura 1

Figura 2

Línea de guiones a 10°

¡UTILICE ESTE INDICADOR DE PENDIENTE PARA DETERMINAR SI UNA PENDIENTE ES DEMASIADO EMPINADA PARA OPERAR CON SEGURIDAD!

Para comprenderlo mejor, presione el botón de seguridad.

1. Ponga el indicador sobre la línea de guiones.
2. Marque un objeto vertical que esté sobre la pendiente o sobre el terreno para compararlo con el indicador, en un punto, en cualquier caso, en la línea de guiones.
3. Marque con los dedos el nivel del indicador con el objeto (ver las Figuras 1 y 2).
4. Fije el indicador hacia arriba o hacia abajo hasta que la línea de guiones esté en la posición (ver las Figuras 1 y 2).
5. Si hay una separación entre el indicador, la línea de guiones y el objeto, la pendiente es demasiado empinada para operar con seguridad (ver la Figura 2).

Figura 2.

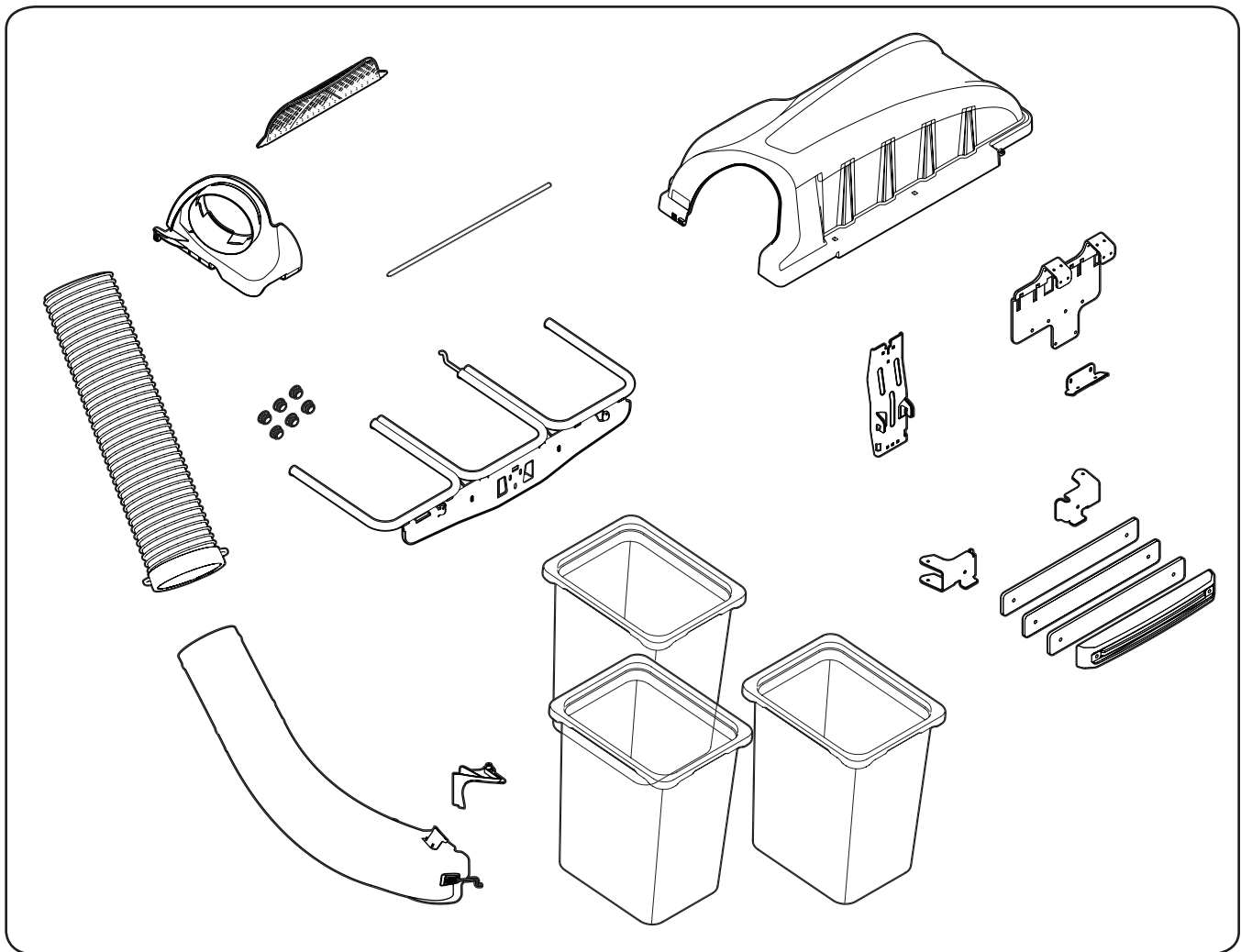


¡ADVERTENCIA! Las pendientes son un factor importante relacionado con accidentes por tumbos y vuelcos que pueden producir lesiones graves o la muerte. No utilice la máquina en pendientes de más de 10 grados. Todas las pendientes requieren precaución extra. Si no puede retroceder por la pendiente o si no se siente seguro, no realice ningún corte. Siempre corte hacia arriba y hacia abajo de las pendientes, nunca de manera transversal.

Embolsadora triple de 50/54" 19A70056100

Antes de comenzar la instalación, retire todas las piezas de la caja para asegurarse de que tiene todo. El contenido de la caja se indica a continuación y se ilustra en la Fig. 3-1. El paquete de herrajes que se incluye en este kit se detalla al final de esta sección.

- Conjunto de maletero - 631-05103
- Conjunto de bolsas para césped (3) - 664-05104
- Soporte vertical de la embolsadora - 683-04519C
- Soporte de la bolsa para césped - 683-04498B
- Adaptador de canal - 731-10133
- Tapones de extremo (6) - 735-0246A
- Conjunto superior de la embolsadora - 819-010779
- Conjunto de mangueras - 819-010699
- Pasador de bisagra - 711-05079
- Soporte del adaptador - 819-010661
- Soporte del adaptador de enganche - 789-02137
- Pantalla de la embolsadora - 731-06504
- Peso de la embolsadora RZT - 719-04217A
- Placas de peso (3) - 789-02137
- Soporte de colgador de pesas, izquierdo - 789-02197
- Soporte de colgador de pesas, derecho - 789-021978
- Paquete de herrajes - 689-01419
- Bandas adhesivas contra marcas - 777X52246



Dibujo 3-1

Embolsadora doble de 42/46" 19A70054100

Antes de comenzar la instalación, retire todas las piezas de la caja para asegurarse de que tiene todo. El contenido de la caja se indica a continuación y se ilustra en la Fig. 3-2. Los paquetes de herrajes que se incluye en este kit se detallan al final de esta sección.

- Conjunto de maletero - 731-09329A
- Conjunto de bolsas para césped (2) - 664-05104
- Soporte vertical de la embolsadora - 683-04519C
- Soporte de la bolsa para césped - 683-05329A
- Tapones de extremo (4) - 735-0246A
- Cubierta de la embolsadora - 631-05474B
- Conjunto de ventilación de la embolsadora - 631-05491B
- Cubierta de la embolsadora, lateral izquierdo - 731-12350B
- Conjunto de mangueras - 819-010501
- Pasador de bisagra - 711-06701
- Soporte del adaptador - 819-010661
- Soporte del adaptador de enganche - 789-02137
- Peso de la embolsadora RZT - 719-04217A
- Placas de peso (3) - 789-02137
- Soporte de colgador de pesas, izquierdo - 789-02197
- Soporte de colgador de pesas, derecho - 789-021978
- Paquete de herrajes - 689-01419
- Bandas adhesivas contra marcas - 777X52246
- Paquete de herrajes del maletero de la embolsadora - 689-00636

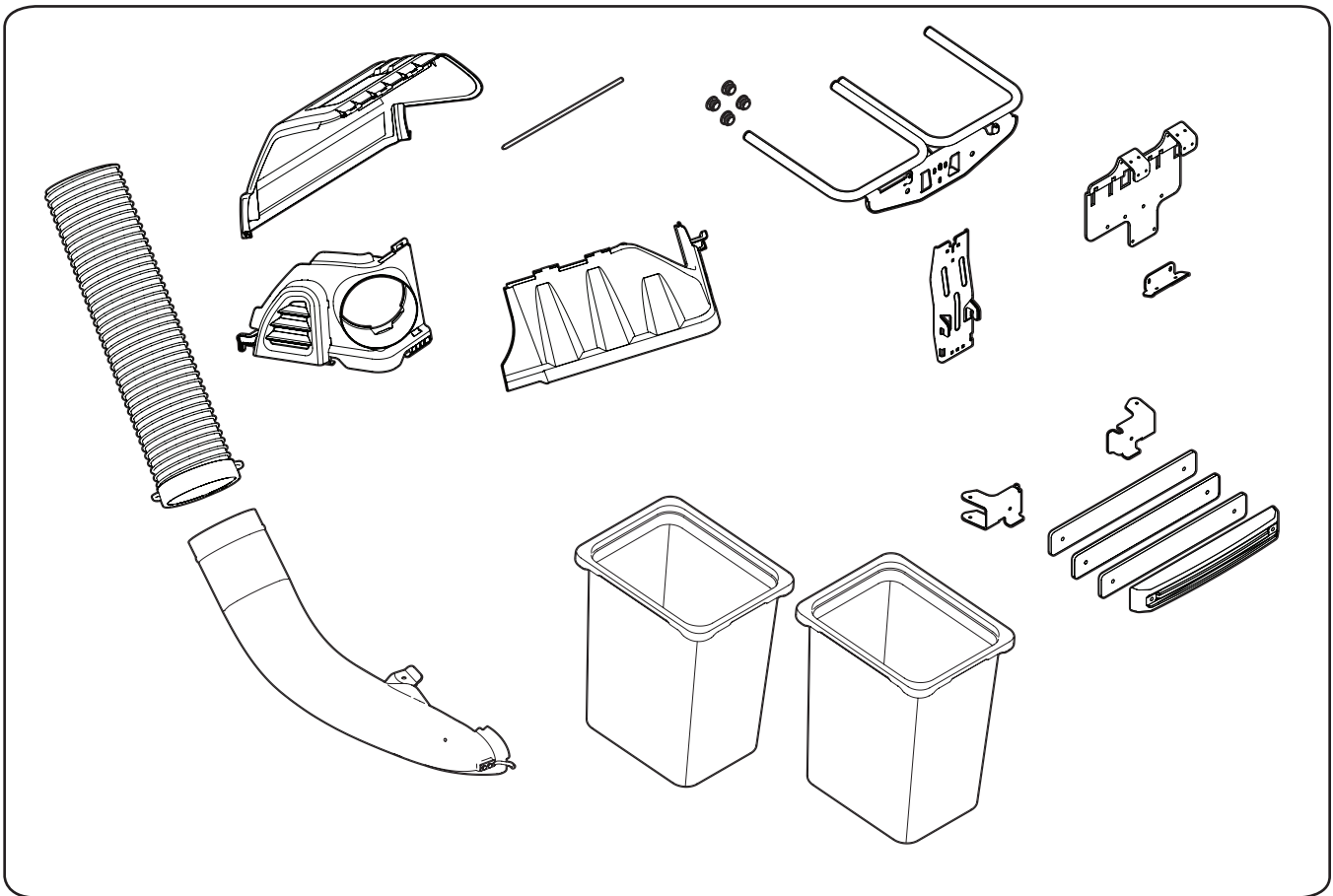


Figura 3-2

Embolsadora doble de 50/54" 19A70055100

Antes de comenzar la instalación, retire todas las piezas de la caja para asegurarse de que tiene todo. El contenido de la caja se indica a continuación y se ilustra en la Fig. 3-3. El paquete de herrajes que se incluye en este kit se detalla al final de esta sección.

- Conjunto de maletero - 631-05103
- Conjunto de bolsas para césped (2) - 664-05104
- Soporte vertical de la embolsadora - 683-04519C
- Soporte de la bolsa para césped - 683-05329A
- Adaptador de canal - 731-10133
- Tapones de extremo (4) - 735-0246A
- Cubierta de la embolsadora - 631-05474B
- Conjunto de ventilación de la embolsadora - 631-05491B
- Cubierta de la embolsadora, lateral izquierdo - 731-12350B
- Conjunto de mangueras - 819-010699
- Pasador de bisagra - 711-06701
- Soporte del adaptador - 819-010661
- Soporte del adaptador de enganche - 789-02137
- Peso de la embolsadora RZT - 719-04217A
- Placas de peso (3) - 789-02137
- Soporte de colgador de pesas, izquierdo - 789-02197
- Soporte de colgador de pesas, derecho - 789-021978
- Paquete de herrajes - 689-01419
- Bandas adhesivas contra marcas - 777X52246

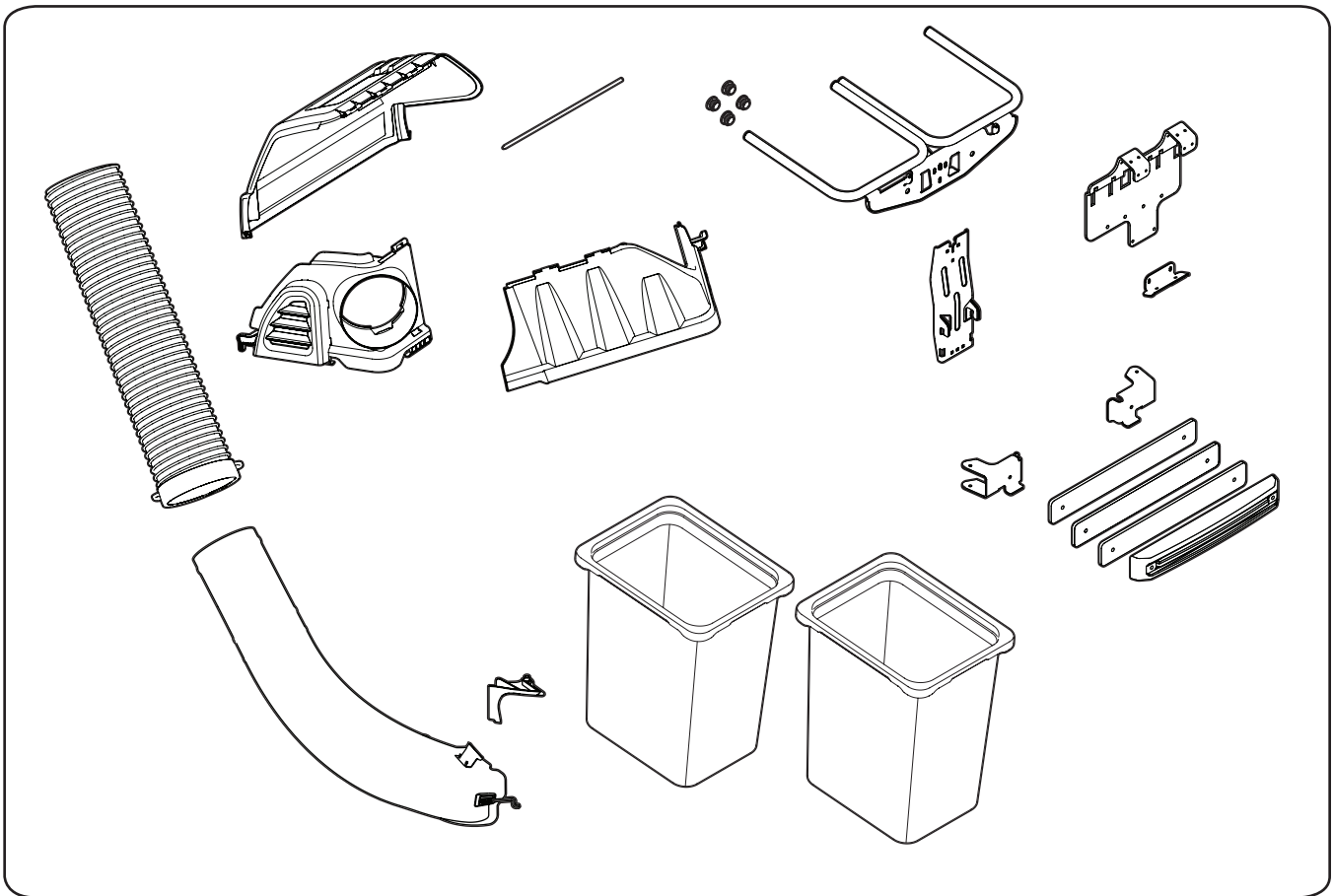
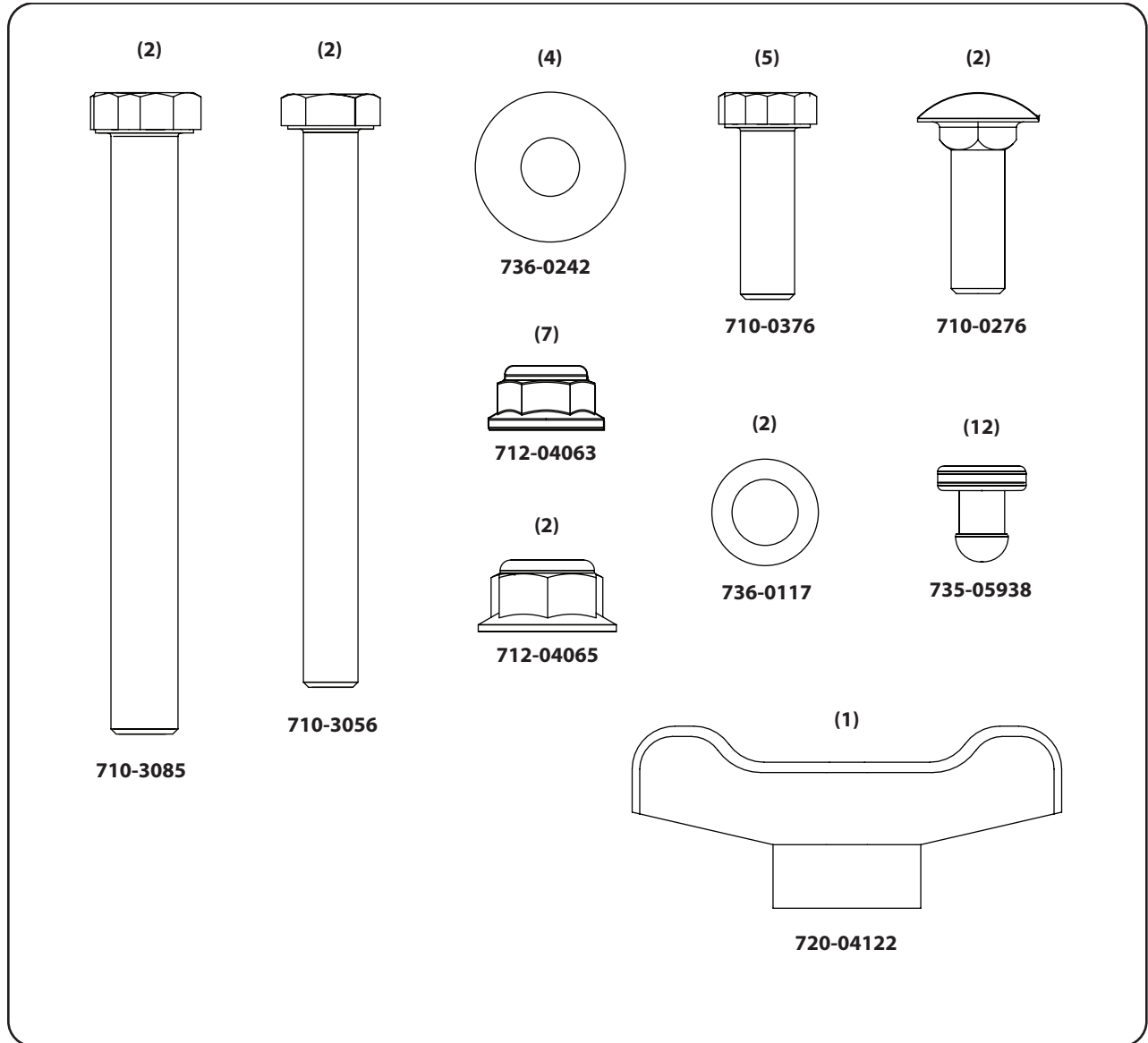


Figura 3-3

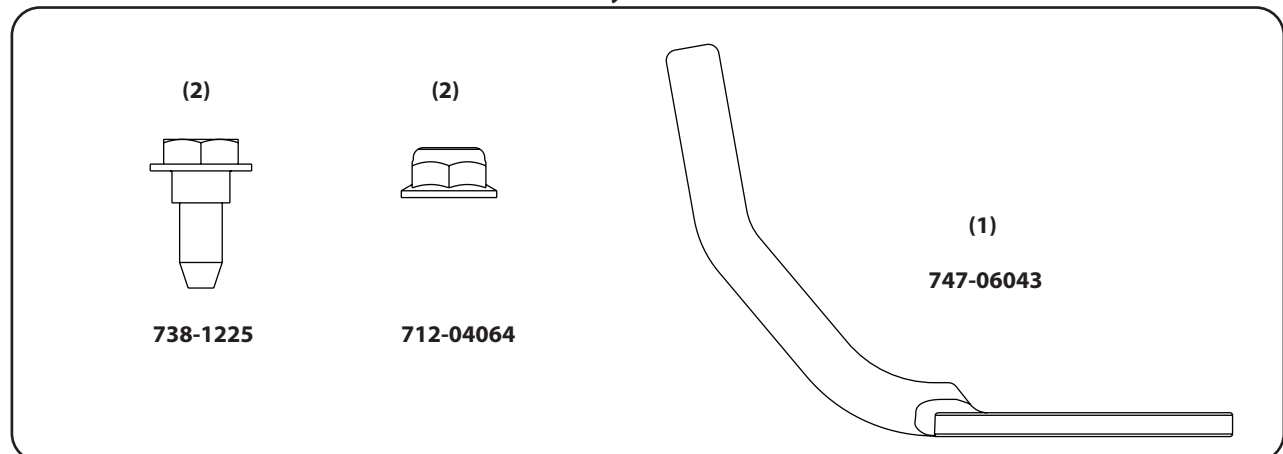
CONTENIDO DEL PAQUETE DE HERRAJES

Por favor revise el contenido de los paquetes de herrajes con las ilustraciones siguientes. Las cantidades de cada elemento aparecen entre paréntesis.

Paquete de herrajes 689-01419



Paquete de herrajes 689-00636 *Solo se incluye con 19A70054100



Armado e instalación

NOTA: Las referencias a la izquierda, derecha, parte delantera y trasera del tractor están desde la posición del operador, salvo indicación en contrario.

- Antes de armar, coloque el tractor sobre una superficie firme y nivelada, desenganche la toma de fuerza PTO, detenga el motor del tractor y coloque el freno de mano.

Arme las ménsulas de soporte

1. Coloque las 12 almohadillas de caucho (735-05938) en el soporte adaptador (789-02277) utilizando los orificios de montaje que se muestran en la Figura 4-1.

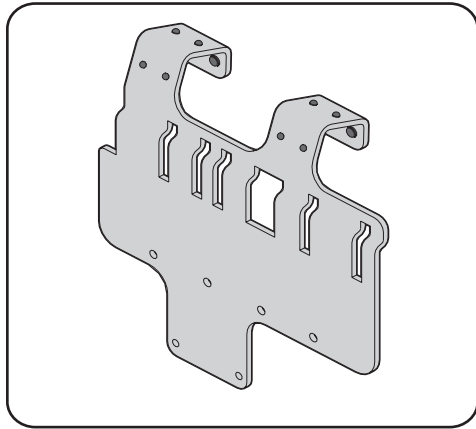


Figura 4-5

NOTA: Verifique los protectores de los paragolpes después de cada estación para detectar si hay desgaste excesivo, y reemplace según sea necesario.

Coloque el conjunto de soporte en el tractor

NOTA: Al armar este conjunto de montaje, conviene no ajustar totalmente el soporte todavía. Esto facilitará el proceso de armado más adelante, cuando sea necesario ajustar a fondo este conjunto de montaje.

Nota: La embolsadora triple 19A70056100 solo se puede conectar a Última ZT2 serie RZT's. Use la Figura 4-2 para determinar el modelo por tipo de soporte de enganche. Comuníquese con servicio al cliente si tiene alguna discrepancia.

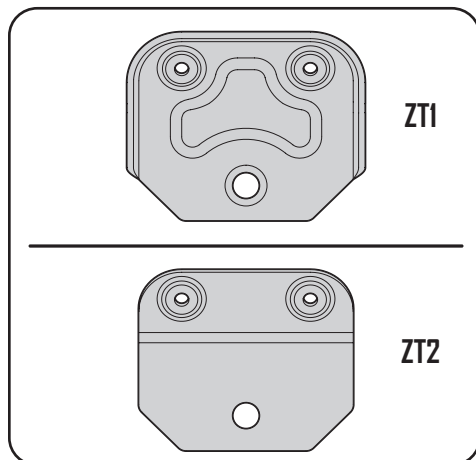


Figura 4-6

Instale el conjunto de soporte de montaje en el tractor de la siguiente manera:

1. Extraiga el soporte de enganche.
2. **Para la instalación ZT1 solamente:** Coloque dos arandelas (736-0242) entre el adaptador del soporte de enganche (789-02298) y el soporte de enganche que se extrajo en el Paso 1.
3. Coloque el conjunto de soporte en el bastidor inferior del tractor con dos tornillos de cabeza (710-0376). Consulte la Figura 4-3.

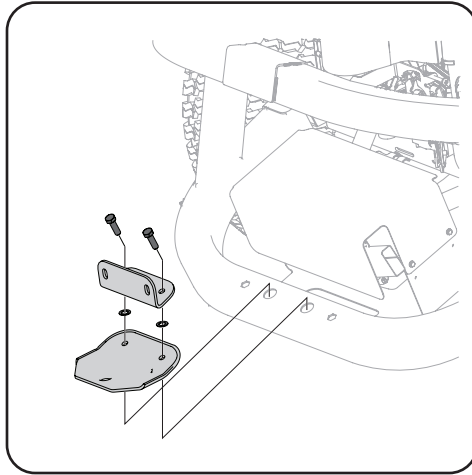


Figura 4-7

4. Cuelgue el conjunto del soporte del adaptador en el tubo del bastidor superior y conecte al adaptador del soporte de enganche (789-02298) con dos tornillos (710-0376), dos arandelas de cubeta (736-0242) y dos tuercas de seguridad de brida (710-04063). Consulte Figura 4-4.

Nota: Compruebe que el soporte del adaptador quede firmemente asentado en el bastidor de tubo superior.

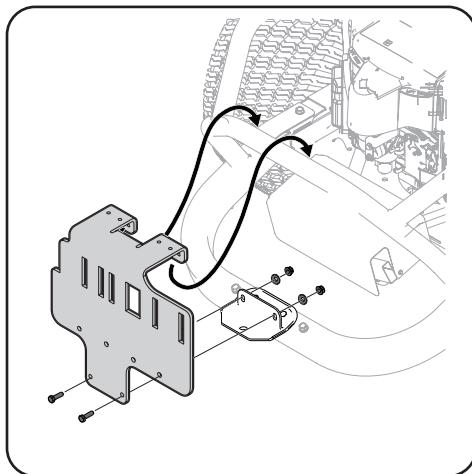


Figura 4-8

5. Apriete todos los herrajes que se instalan en este momento.

Coloque el soporte vertical

Nota: Este manual abarca diversas configuraciones de embolsadora. Siga las instrucciones aplicables a su máquina.

1. Con la Figura 4-5 y el cuadro a continuación, localice la ubicación del orificio de montaje correcto en el soporte de montaje para su tractor:

Modelo Núm.	Descripción	Posición
19A70054100	Embolsadora doble de 42/46"	4
19A70055100	Embolsadora doble de 50/54"	3
19A70056100	Embolsadora triple de 50/54"	1

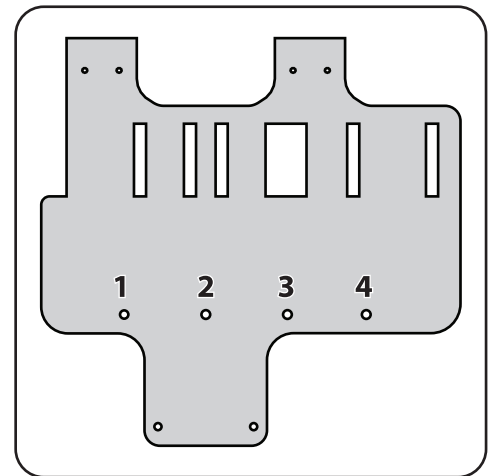


Figura 4-9

Nota: La posición de orificio 2 actualmente no está en uso.

2. Instale la ménsula de soporte vertical en el conjunto de montaje sobre el tractor enganchándolo encima del conjunto de montaje tal como se muestra en la Figura 4-6.
3. Fije la ménsula de soporte vertical a la unidad de montaje con un perno hexagonal (710-0376) y una tuerca de seguridad con brida (712-04063) que viene con el paquete de herrajes 689-01419. Consulte la Figura 4-6.

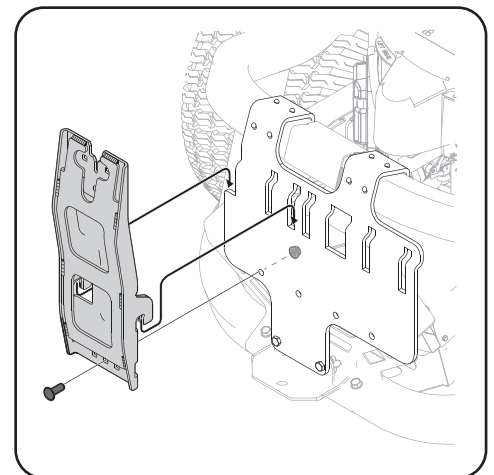


Figura 4-10

Coloque el conjunto del colgador - Modelos de embolsadora doble

Para los números de modelos 19A70054100 y 19A70055100, siga los pasos a continuación. Para la embolsadora triple con número de modelo 19A70056100, pase a la siguiente sección.

1. Coloque y sujete el conjunto del colgador en la ménsula de soporte vertical usando dos pernos de carro (710-0276) dos arandelas de cubeta (736-0242) y dos tuercas de seguridad con brida (712-04063) del paquete de herrajes 689-01419. Consulte la Figura 4-7.

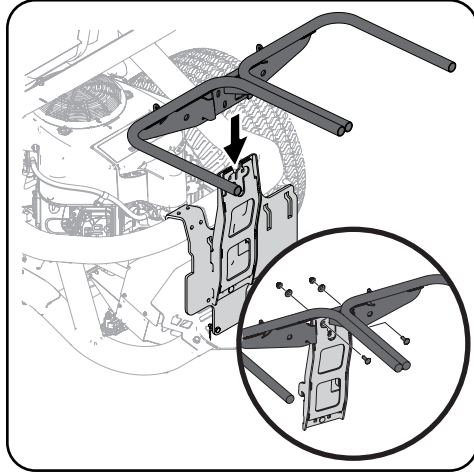


Figura 4-11

NOTA: Los pernos de carro (710-0276), del paquete de herrajes 689-01419, van en el orificio superior con la tuerca orientada hacia el motor. El perno hexagonal (710-0376), del mismo paquete de herrajes, va en el orificio inferior.

Coloque el conjunto del colgador - Modelo de Embolsadora Triple

Para los números de modelos 19A70056100, siga los pasos a continuación.

2. Coloque y sujete el conjunto del colgador en la ménsula de soporte vertical usando dos pernos de carro (710-0276) dos arandelas de cubeta y dos tuercas de seguridad con brida (712-04063) del paquete de herrajes 689-01419. Figura 4-8.

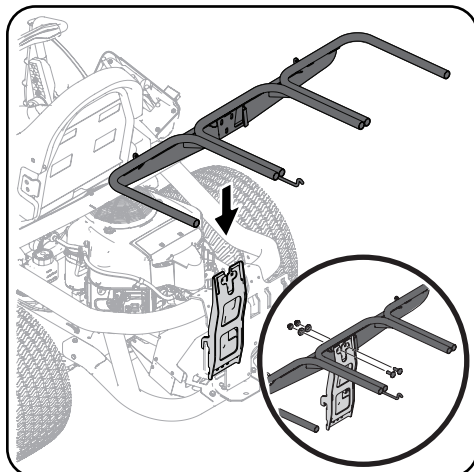


Figura 4-12

NOTA: Los pernos de carro (710-0276), del paquete de herrajes 689-01419, van en el orificio superior con la tuerca orientada hacia el motor. El perno hexagonal (710-0376), del mismo paquete de herrajes, va en el orificio inferior.

Coloque los componentes superiores de la embolsadora Modelos de Embolsadora Doble

Para los números de modelos 19A70054100 y 19A70055100, siga los pasos a continuación. Para la embolsadora triple con número de modelo 19A70056100, pase a la siguiente sección.

Con los soportes de montaje ensamblados y en su lugar en el tractor, siga estos pasos para ensamblar los componentes restantes de la embolsadora.

1. **Si no se instaló ya de fábrica,** coloque a presión la cubierta de ventilación en los orificios que se encuentran en el conjunto de soporte del canal.
2. Coloque el soporte del canal plástico superior en su lugar primero cortando la porción lateral hacia el carril de soporte de la embolsadora (1) como se indica en la Figura 4-9.

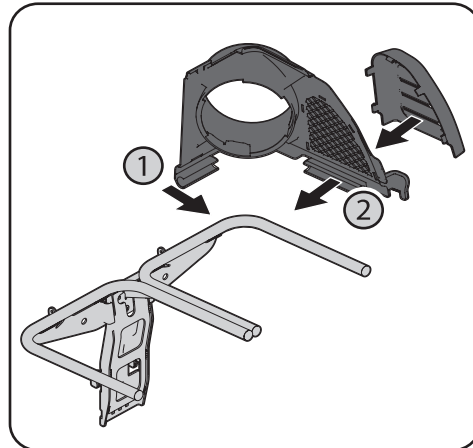


Figura 4-13

3. Coloque a presión el lado delantero del soporte del canal al riel (2), como se muestra en la Figura 4-9.
4. Coloque a presión el soporte de la cubierta superior sobre el riel del soporte de la embolsadora con una ligera inclinación. Gire el conjunto hacia abajo y dentro del conjunto del soporte del canal, comprobando que la lengüeta (que se muestra en el recuadro de la Figura 4-10) se trabe en su lugar.

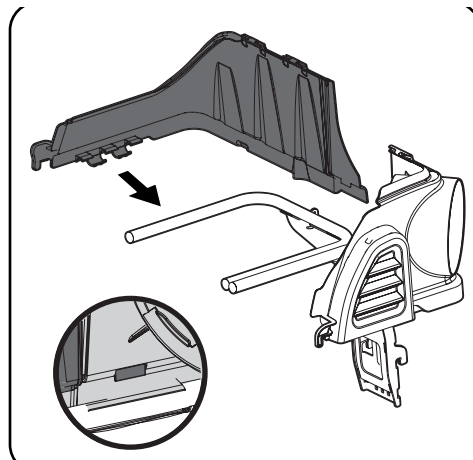


Figura 4-14

5. Coloque la cubierta superior de la embolsadora, para lo que debe alinear las lengüetas de la cubierta y deslizar el pasador de montaje en el canal como se muestra en la Figura 4-11.

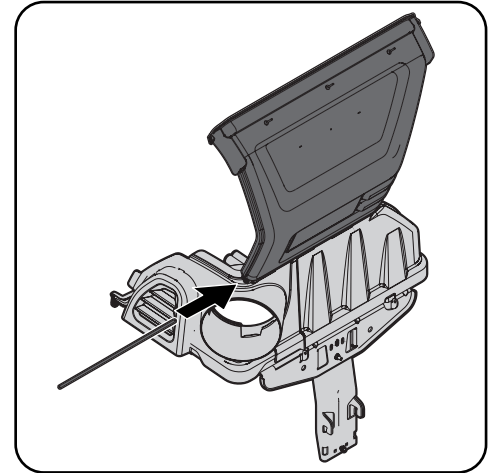


Figura 4-15

6. Abra la cubierta empujando hacia adentro las lengüetas del lado trasero con la mano (1), y elevando la cubierta con la otra mano en la parte trasera central de la cubierta de la embolsadora (2) como se indica en la Figura 4-12.

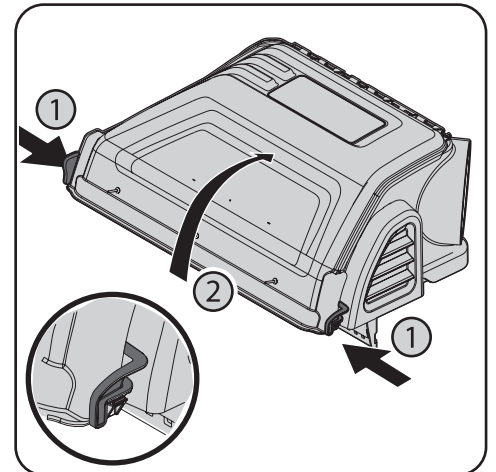


Figura 4-16

7. Coloque ambos conjuntos de bolsas en las ménsulas de soporte de bolsa insertando primero el borde delantero (1), y luego bajando el borde posterior hasta que calce en el conjunto (2) como se muestra en la Figura 4-13.

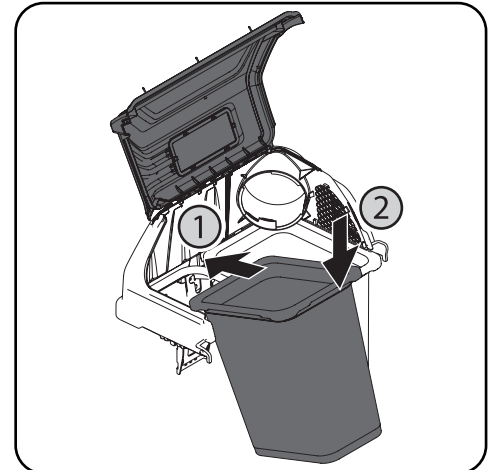


Figura 4-17

Coloque los componentes superiores de la embolsadora- Modelo de Embolsadora Triple

Para el número de modelo de la embolsadora triple 19A70056100, siga los pasos a continuación para colocar los componentes de la embolsadora.

Con los soportes montaje ensamblados y en el lugar del tractor, siga estos pasos para ensamblar los componentes restantes de la embolsadora.

1. Coloque el soporte del canal plástico superior en su lugar primero cortando la porción lateral hacia el riel de soporte de la embolsadora (1) como se indica en la Figura 4-14.

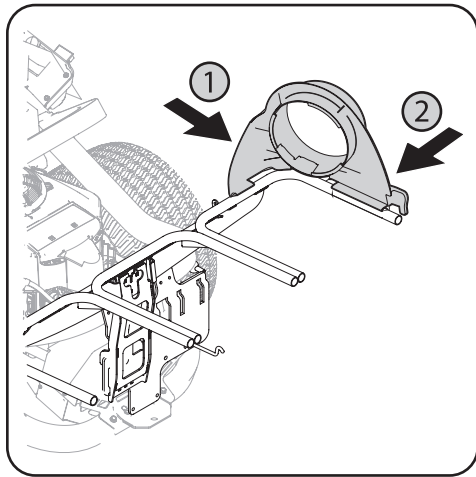


Figura 4-18

2. Coloque a presión el lado delantero del soporte del canal al riel (2), como se muestra en la Figura 4-14.
3. **Si no viene armado de fábrica, coloque el protector de la embolsadora en la cubierta de la misma insertando primero un extremo en el montaje de corte correspondiente. Asegúrese de calzar el protector debajo del reborde, como en la Figura 4-15.**

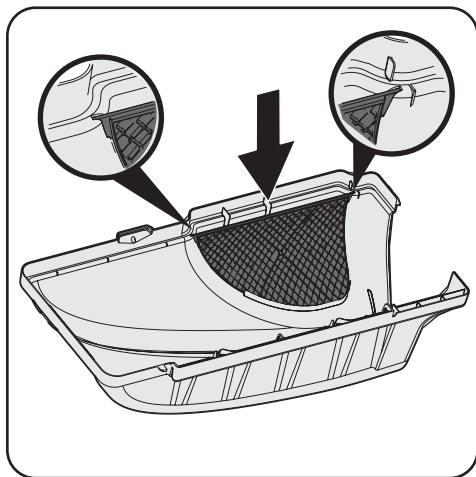


Figura 4-19

4. Instale la cubierta de la embolsadora en el conjunto de soporte de la bolsa, como se ve en la Figura 4-16. La cubierta plástica va dentro de las dos lengüetas de montaje.

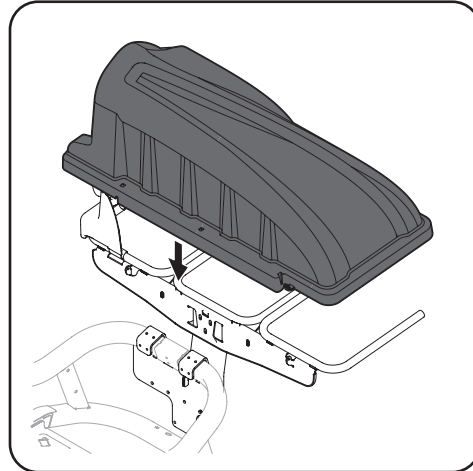


Figura 4-20

5. Deslice el pasador de horquilla en el orificio ubicado en la lengüeta de montaje, como se indica en la Figura 4-17. Use las ventanas recortadas (consulte el recuadro de la Figura 4-17) para alinear el pasador de horquilla del otro lado y empujelo hasta que llegue al tope. En este punto el pasador calza en su posición y queda asegurado por una lengüeta en la cubierta de la embolsadora.

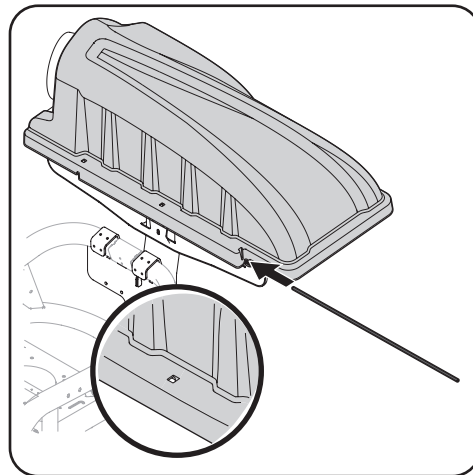


Figura 4-21

6. Abra la cubierta empujando hacia adentro la lengüeta posterior derecha con la mano derecha (1), y levantando la cubierta con la mano izquierda en la parte posterior central de la cubierta de la embolsadora (2), como se indica en la Figura 4-18.

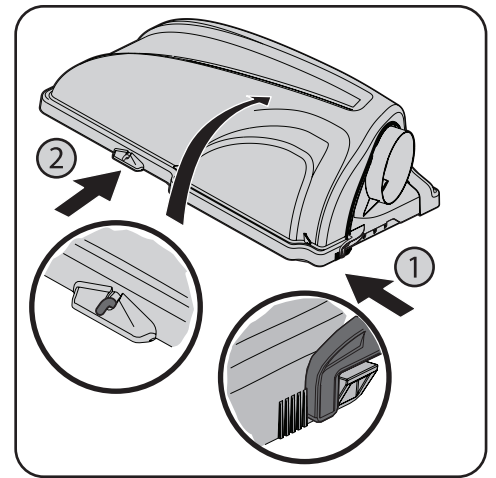


Figura 4-22

7. Coloque los tres conjuntos de bolsas en las ménsulas de soporte de bolsa insertando primero el borde delantero (1), y luego ajustando el borde posterior hacia abajo hasta que calce en el conjunto (2) como se muestra en la Figura 4-19.

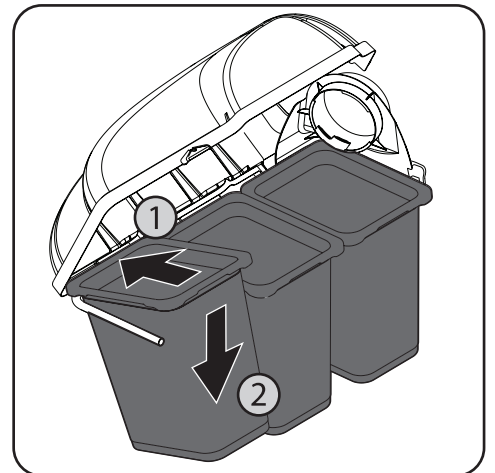


Figura 4-23

Instalación del canal de descarga - Embolsadora doble de 42/46" 19A70054100

1. Coloque el montaje de la varilla del maletero (747-06043) en el maletero con 2 tornillos con reborde (738-1225) y dos tuercas de seguridad con brida (712-04064) del paquete de engranajes 689-00636. Compruebe que los tornillos con reborde (738-1225) se coloquen en el interior del maletero. Consulte la Figura 4-20.

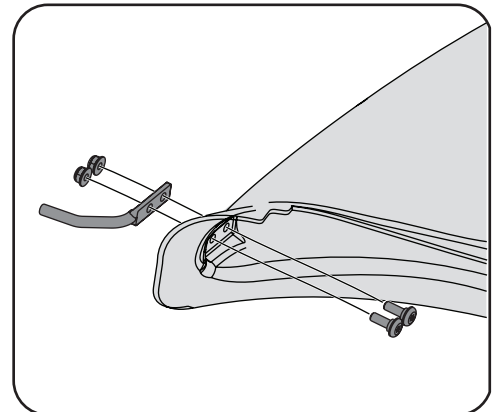


Figura 4-24

- Con el canal de descarga del tractor levantado y manteniéndolo abierto (1), coloque el codo del canal ubicando la varilla de montaje del codo del canal en la lengüeta de montaje del canal (2), como se muestra en la Figura 4-21.

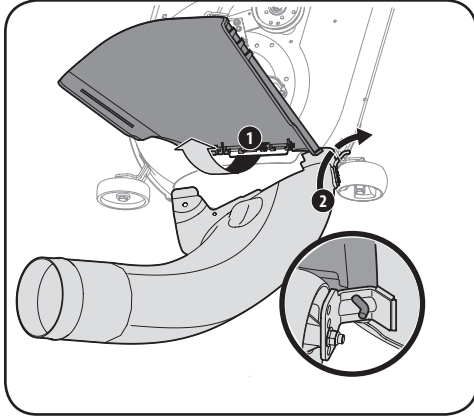


Figura 4-25

- Fije el codo del canal a la plataforma usando una perilla de aletas (720-04122) del paquete de herrajes 689-01419. Consulte la Figura 4-22.

Nota: Si la hubiera, retire la cubierta protectora de la clavija de montaje en la plataforma de corte como se muestra en el recuadro superior de la Figura 4-22.

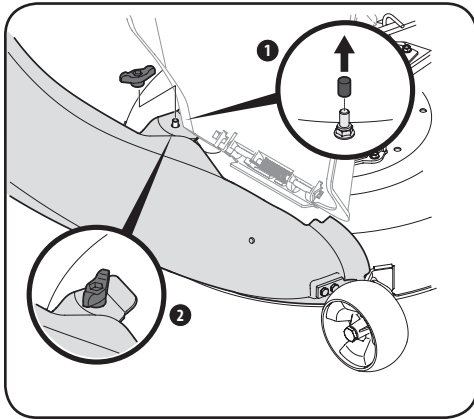


Figura 4-26

¡Importante! Asegúrese de que la parte inferior del canal de descarga esté ubicada dentro del reborde de la abertura de la plataforma, como se indican en la Figura 4-23.

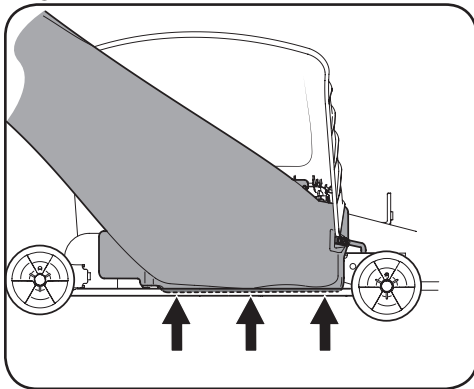


Figura 4-27

Instalación del canal de descarga - 19A70055100 y 19A70056100, Embolsadoras doble y triple de 50/54"

Cuando se instala el canal de descarga hay dos instrucciones de instalación diferentes. Para las unidades de plataforma fabricadas de 54", el codo del canal de descarga se monta directamente en la plataforma de corte. Para las plataformas estampadas de 50" y 54", en primer lugar se debe instalar un adaptador. Asegúrese de seguir las instrucciones correspondientes a la unidad en la que está instalando esta embolsadora.

Unidades de plataforma fabricada de 54":

- Eleve la plataforma a la posición más alta.
- Levante el deflector del canal (1 en la Figura 4-24) sobre la plataforma y sosténgalo mientras ubica el canal de descarga sobre la abertura del canal.

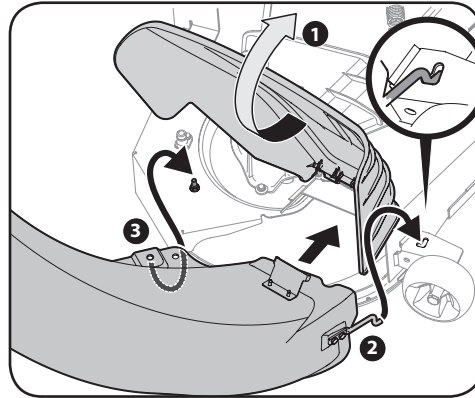


Figura 4-28

- Inserte el extremo del codo del canal de descarga (2) en el orificio suministrado en el montaje de rueda de la plataforma tal como se muestra en el recuadro de Figura 4-24.
- Gire el canal de descarga hacia atrás hasta que el orificio del codo del canal de descarga se alinee con el pasador de la plataforma. Mueva el codo de descarga hacia abajo hacia ese pasador como se muestra en 3 de la Figura 4-24.
- Fije el codo del canal de descarga en la plataforma de corte usando una perilla de aletas (720-04122) incluida con el kit de la embolsadora. Consulte la Figura 4-25.

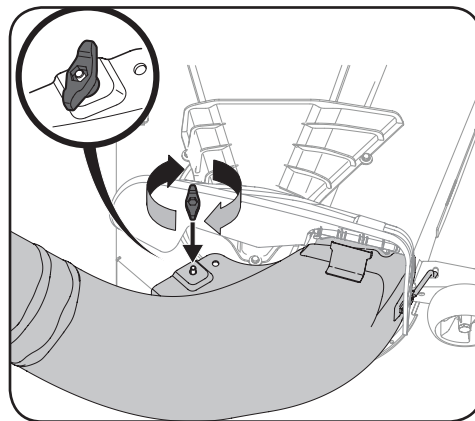


Figura 4-29

En las plataformas estampadas de 50" y 54":

- Eleve la plataforma a la posición más alta.
- Retire el tapón protector de goma del pasador de plataforma, 1 en la Figura 4-26.
- Eleve el deflector del canal (2 en la Figura 4-26) sobre la plataforma y sosténgalo mientras instala el adaptador de canal (731-10133) (3), que se incluye en el paquete de herrajes 689-01419, sobre la plataforma como se muestra en la Figura 4-26.

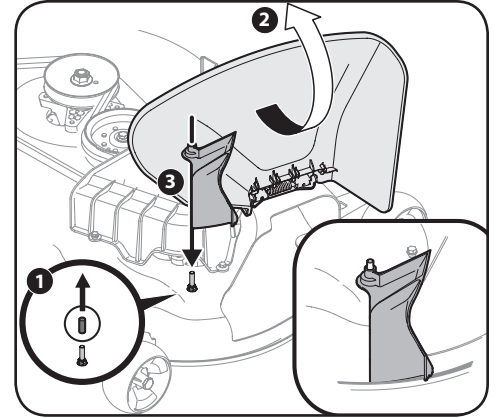


Figura 4-30

- Inserte el extremo del codo del canal de descarga (1) en el orificio suministrado en el montaje de rueda de la plataforma tal como se muestra en el recuadro de la Figura 4-27.

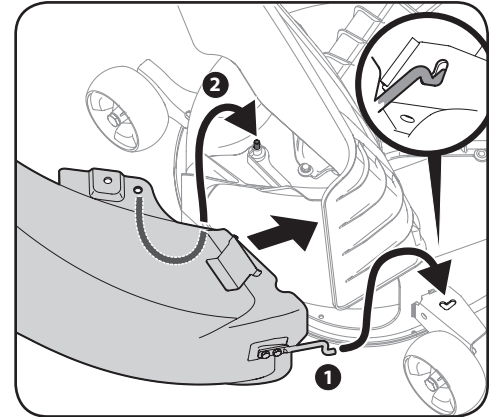


Figura 4-31

- Gire el canal de descarga hacia atrás hasta que el orificio del codo del canal de descarga se alinee con el pasador del adaptador de plataforma. Mueva el codo de descarga hacia abajo hacia ese pasador como se muestra en 2 de la Figura 4-27.

6. Fije el codo del canal de descarga en la plataforma de corte usando una (720-04122) perilla de aletas incluida en el paquete de herrajes 689-01419. Consulte la Figura 4-28.

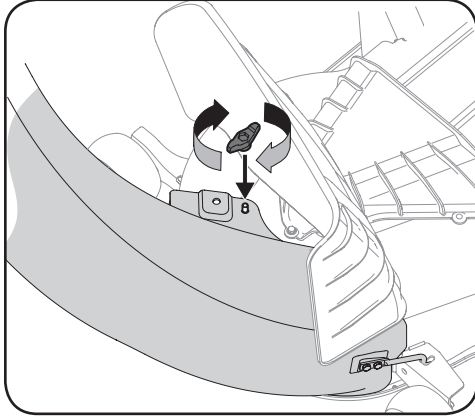


Figura 4-32

Instalación del Tubo de Canal Superior - Todos los modelos

1. Enrosque el extremo superior del tubo del canal en forma segura, en el soporte superior del canal. Existen dos lengüetas en el lado bajo interno del soporte del canal superior que permiten un enrosque seguro. Consulte la Figura 4-29.

NOTE: El tubo del canal y el soporte superior del mismo, están **enroscados hacia la mano izquierda**. Enrosque en sentido contrario a las agujas del reloj hasta asegurarlo.



Figura 4-33

2. Levántelo con las manijas de la parte de abajo del tubo del canal. Deslice el tubo del canal sobre el codo del canal montado en la plataforma de corte, como se muestra en la Figura 4-30.

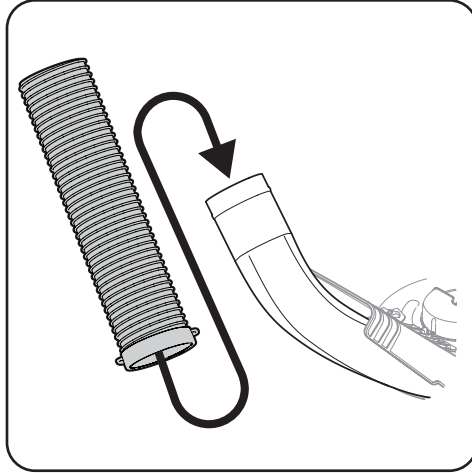


Figura 4-34

3. Asegúrese que la conexión es segura y que no hay espacios entre el tubo del canal y el codo del canal.
4. Si está abierta, cierre la cubierta del colector de césped, previo al corte de césped.

Instale el contrapeso



ADVERTENCIA: Este kit de contrapeso delantero se necesita cuando se utiliza cualquiera de los modelos RZT compatibles y equipados con un colector de césped. Si no se instala este kit, se pueden provocar lesiones graves o la muerte.



ADVERTENCIA: Antes de comenzar la instalación, coloque el RZT sobre una superficie firme y nivelada, coloque el freno de mano, coloque la toma de fuerza (PTO) en la posición desconectada (OFF), detenga el motor y quite la llave de encendido para impedir el arranque accidental.

5. Antes del ensamblado, despegue las calcomanías adhesivas de la hoja y aplíquelas a las superficies interiores de los soportes del colgador de pesas del lado derecho e izquierdo, como se muestra en la Figura 4-31.

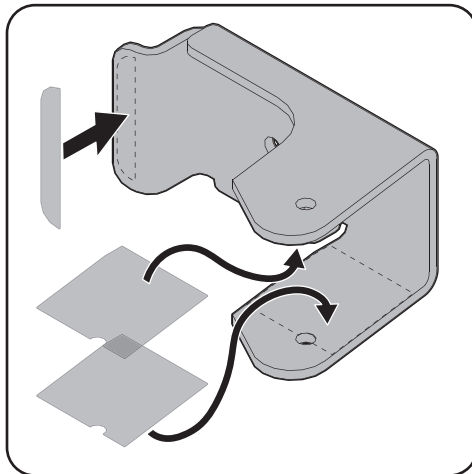


Figura 4-35

6. Sujete la pesa y tres platillos de pesar a los soportes de colgador de pesa con dos tornillos de cabeza hexagonal de 3/8" (710-3085) y dos tuercas (712-04065) como se muestra en la Figura 4-32.

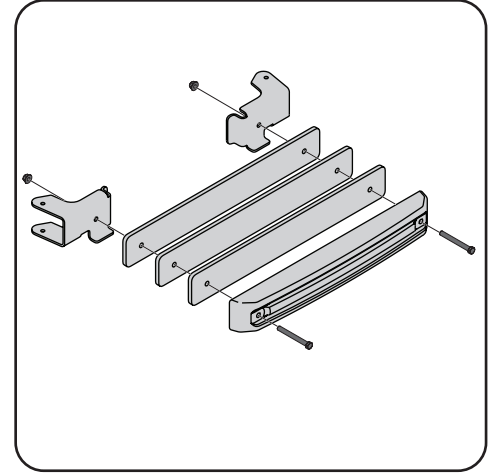


Figura 4-36

7. Centre visualmente el conjunto de barra de pesas en el tractor y con dos tornillos de cabeza hexagonal de 5/16" (710-3056) y dos tuercas (712-04063) sujete el conjunto de contrapeso al tractor como se indica en la Figura 4-33.

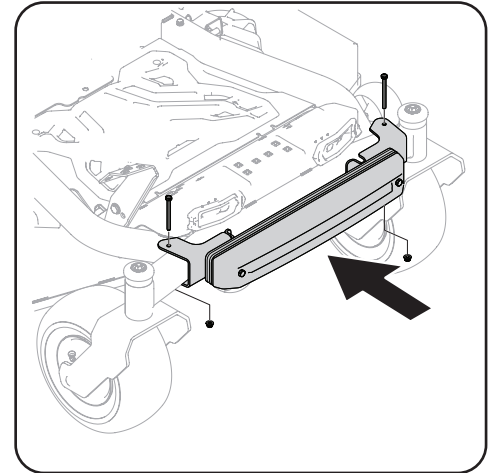


Figura 4-37

Uso de la embolsadora triple

NOTA: Cuando todas las bolsas para césped estén llenas, coloque el tractor sobre una superficie firme y nivelada, desembrague la toma de fuerza (PTO), apague el motor del tractor y coloque el freno de mano.

1. Abra el capó del colector de césped empujando hacia adentro la lengüeta posterior derecha con la mano derecha, como se ve en 1 de la Figura 5-1, y levantando la cubierta con la mano izquierda en el centro de la parte posterior de la cubierta de la embolsadora, 2.

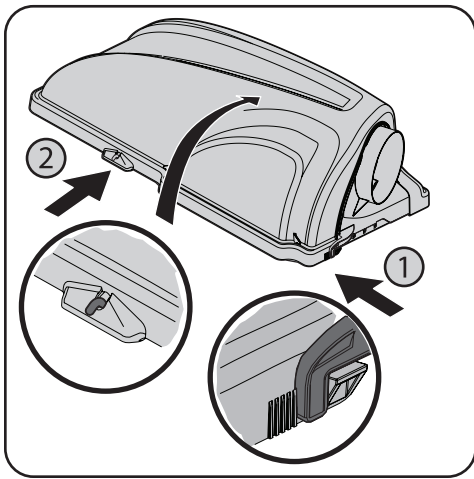


Figura 5-1

2. No extraiga del tractor el conjunto de tubo del canal del tractor.
3. Extraiga los tres conjuntos de bolsas de las ménsulas de soporte de las bolsas, para lo cual debe levantar el borde delantero primero y luego deslizar el borde trasero hacia adelante y arriba hasta que se separe del bastidor como se indica en la Figura 5-2.

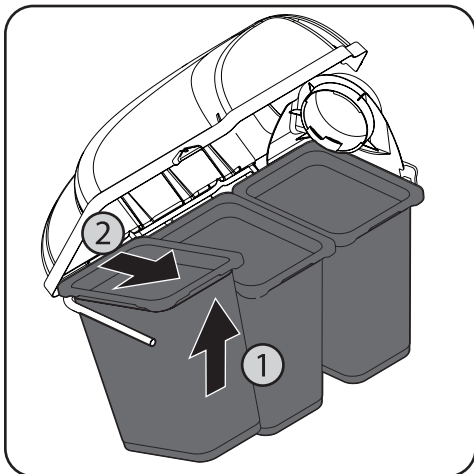


Figura 5-2

4. Vacíe los recortes de césped en un predio de disposición adecuado, use la manija de abajo de cada bolsa de césped. Para vaciar el contenido sostenga firmemente la bolsa
5. Vuelva a colocar las bolsas para césped, cierre la tapa, voltee el asiento hacia abajo, vuelva a arrancar el tractor, saque el freno de mano y reanude el corte de césped.

Uso de la embolsadora doble

NOTA: Cuando las dos bolsas para césped estén llenas, coloque el tractor sobre una superficie firme y nivelada, desembrague la toma de fuerza (PTO), apague el motor del tractor y coloque el freno de mano.

1. Abra la cubierta empujando hacia adentro las lengüetas del lado trasero con la mano (1), y elevando la cubierta con la otra mano en la parte trasera central de la cubierta de la embolsadora (2) como se indica en la Figura 5-3.

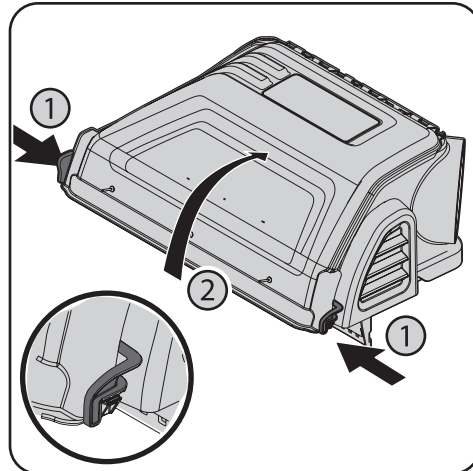


Figura 5-3

2. No retire el conjunto del tubo del canal del tractor.

3. Extraiga ambos conjuntos de bolsas de las ménsulas de soporte para bolsas, para lo cual debe levantar el borde delantero primero y luego deslizar el borde trasero hacia adelante y arriba hasta que se aleje del bastidor. Consulte la Figura 5-4.

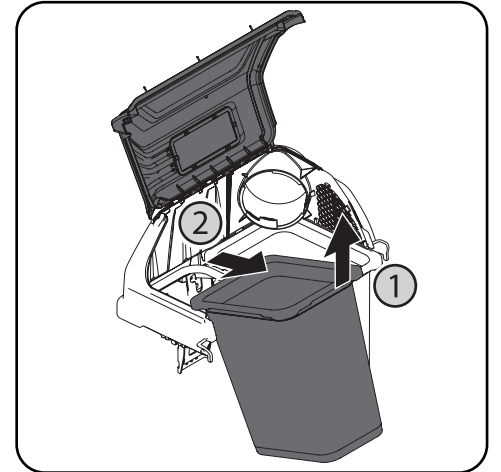


Figura 5-4

4. Vacíe los recortes de césped en un predio de disposición adecuado, use la manija de abajo de cada bolsa de césped. Para vaciar el contenido sostenga firmemente la bolsa
5. Vuelva a colocar las bolsas para césped, cierre la tapa, voltee el asiento hacia abajo, vuelva a arrancar el tractor, saque el freno de mano y reanude el corte de césped.

CUB CADET LLC

GARANTÍA LIMITADA DEL FABRICANTE

PARA ACCESORIOS Y ELEMENTOS QUE SE VENDEN POR SEPARADO

IMPORTANTE: Para obtener cobertura de garantía, el propietario debe presentar el comprobante de compra original y los registros de mantenimiento correspondientes al centro de servicio técnico autorizado del distribuidor. Consulte el manual del operador para obtener información sobre los intervalos de mantenimiento y servicio requeridos.

La siguiente garantía limitada es otorgada por Cub Cadet LLC con respecto a nuevos productos adquiridos o arrendados y utilizados en los Estados Unidos y/o sus territorios y posesiones, y por MTD Products Limited respecto de nuevos productos adquiridos o arrendados y utilizados en Canadá y/o sus territorios y posesiones (cualquiera de las dos entidades respectivamente, "Cub Cadet").

Cub Cadet garantiza este producto (excluyendo sus *piezas sujetas a desgaste normal*, según se describe a continuación) contra defectos en los materiales y mano de obra por un período de dos (2) años a partir de la fecha de compra minorista original o arrendamiento y, a su opción, reparará o reemplazará, sin costo alguno, cualquier pieza que presente defectos en material o mano de obra.

Se garantiza que las piezas sujetas a desgaste normal están libres de defectos en los materiales y la mano de obra por un período de treinta (30) días a partir de la fecha de compra o arrendamiento original. Las piezas sujetas a desgaste normal incluyen, entre otras, a componentes como: correas, cuchillas, adaptadores de cuchilla, bolsas recolectoras de pasto, ruedas de plataforma, asientos y neumáticos.

Esta garantía limitada solo se aplicará si el producto ha sido operado y mantenido de acuerdo con las instrucciones del Manual del Operador que se proporciona con el producto y no ha sido sujeto a uso indebido, abuso, falta de cuidado, accidente, mantenimiento incorrecto, modificación, vandalismo, robo, incendio, inundación o daño debido a otro peligro o desastre natural. Los daños que resulten de la instalación o el uso de piezas, accesorios o elementos no aprobados por Cub Cadet para usar con los productos incluidos en este manual anularán la garantía en lo que respecta a esos daños. Además, Cub Cadet puede rechazar la cobertura de la garantía si el medidor de horas o cualquier parte del mismo, es alterado, modificado, desconectado o de otro modo forzado.

CÓMO OBTENER SERVICIO TÉCNICO: El servicio de garantía se obtiene CON COMPROBANTE DE COMPRA Y EL HISTORIAL DE MANTENIMIENTO CORRESPONDIENTE, a través de su distribuidor local de servicio autorizado. Para localizar al distribuidor de su zona:

En los Estados Unidos de América.

Consulte las Páginas Amarillas o póngase en contacto con Cub Cadet LLC en P.O. Box 361131, Cleveland, Ohio 44136-0019, llame al 1-877-282-8684 o visite nuestro sitio web en www.cubcadet.com.

En Canadá

póngase en contacto con MTD Products Limited, Kitchener, ON N2G 4J1, llame al 1-800-668-1238 o visite nuestro sitio web en www.mtdcanada.com.

Sin limitación de lo anteriormente dicho, esta garantía limitada no ofrece cobertura en los siguientes casos:

- Los elementos de mantenimiento de rutina como por ejemplo lubricantes, filtros, afiladores de cuchillas, puesta a punto del motor, ajustes de frenos, del embrague o de la plataforma, y el deterioro normal del acabado exterior debido al uso o la exposición.
- Servicios no realizados por el distribuidor de servicio autorizado.
- Cub Cadet no extiende ninguna garantía para los productos vendidos o exportados fuera de los Estados Unidos y/o Canadá, y sus respectivas posesiones y territorios, excepto para aquellos vendidos a través de los canales autorizados de distribución de exportaciones de Cub Cadet.
- Piezas de reemplazo y/o accesorios que no son piezas originales de Cub Cadet.
- Gastos de transporte y visitas técnicas.
- Uso comercial o institucional.

No existen garantías implícitas, incluyendo sin limitación cualquier garantía implícita de comerciabilidad o adaptabilidad para un propósito en particular. No se aplicará ninguna garantía pasado el correspondiente período mencionado de garantía escrita expresa. Ninguna otra garantía expresa excepto la mencionada anteriormente, extendida por personas físicas o jurídicas, incluidos los distribuidores o los minoristas, respecto de cualquier producto, obligará a Cub Cadet. El único recurso es la reparación o reemplazo del producto como se indicó anteriormente.

Los términos de esta garantía ofrecen el único y exclusivo recurso que surge de la venta y/o arrendamiento de los productos cubiertos por la presente. Cub Cadet no se hará responsable de ninguna pérdida o daños indirecto o emergente, incluyendo sin limitación, los gastos incurridos para sustituir o reemplazar los servicios de mantenimiento del césped, o para gastos de arrendamiento para reemplazar temporalmente un producto bajo garantía.

Algunas jurisdicciones no permiten la exclusión o limitación de los daños indirectos o emergentes, o las limitaciones sobre la duración de las garantías implícitas, por lo que las exclusiones o limitaciones mencionadas anteriormente pueden no aplicarse en su caso.

En ningún caso se obtendrá una compensación mayor al monto del precio de compra del producto vendido. **La modificación de las características de seguridad del producto anulará esta garantía.** Usted asume el riesgo y la responsabilidad por las pérdidas, daños o lesiones personales o materiales propios o de terceros que surjan del uso indebido o la incapacidad de usar este producto.

Esta garantía limitada cubre solamente al comprador original, o a la persona que recibió el producto como un regalo.

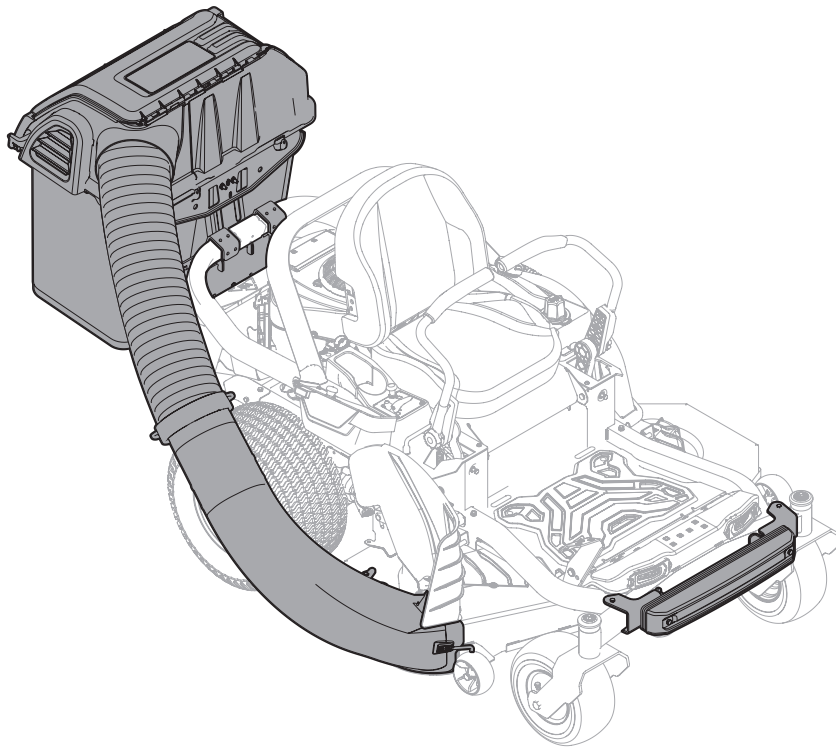
CÓMO SE RELACIONA LA LEGISLACIÓN LOCAL CON ESTA

GARANTÍA: Esta garantía limitada le otorga derechos legales específicos, y usted también puede tener otros derechos que varían de una jurisdicción a otra.

Cub Cadet LLC, P.O. BOX 361131 CLEVELAND, OHIO 44136-0019, Teléfono: 1-877-282-8684
MTD Products Limited, Kitchener, ON N2G 4J1, Teléfono: 1-800-668-1238

Cub Cadet®

MANUEL DE L'UTILISATEUR



Dispositif d'ensachage arrière double Modèles n° 19A70054100, 19A70055100, 19A70056100

⚠ AVERTISSEMENT

LISEZ ET SUIVEZ TOUTES LES RÈGLES ET LES DIRECTIVES DE SÉCURITÉ OFFERTES DANS CE MANUEL AVANT DE FAIRE FONCTIONNER CETTE MACHINE.
LE NON-RESPECT DE CES INSTRUCTIONS PEUT ENTRAÎNER DES BLESSURES CORPORELLES.

CUB CADET LLC, P.O. BOX 361131 CLEVELAND, OHIO 44136-0019



Formulaire n° 769-17190
(October 18, 2018)

Merci

Merci d'avoir acheté un accessoire d'ensachage fabriqué par Cub Cadet. Il a été soigneusement conçu afin de fournir un rendement exceptionnel lorsqu'il est utilisé et entretenu correctement.

Veuillez lire ce manuel en entier avant de mettre l'équipement en marche. Ce manuel vous indique comment installer, utiliser et entretenir votre produit facilement et sans danger. Assurez-vous, ainsi que toutes les autres personnes qui utiliseront la machine, de suivre attentivement les consignes de sécurité recommandées en tout temps. Le non-respect de ces consignes peut entraîner des blessures corporelles ou causer des dégâts matériels.

Toutes les informations contenues dans ce manuel sont pertinentes aux données les plus récentes offertes au moment de l'impression. Consultez ce manuel fréquemment afin de vous familiariser avec l'équipement, ses fonctions et son fonctionnement. Nous tenons à vous aviser que ce manuel de l'opérateur peut couvrir un éventail de spécifications de produits pour différents modèles. Les caractéristiques et les fonctions décrites ou illustrées dans ce manuel peuvent ne pas s'appliquer à tous les modèles. Nous nous réservons le droit de modifier les caractéristiques, les concepts du produit et le matériel sans préavis et sans obligation de notre part.

Si vous avez des problèmes ou des questions au sujet de l'équipement, téléphonez à votre concessionnaire Cub Cadet local ou communiquez avec nous directement. Vous trouverez les numéros de téléphone d'assistance à la clientèle de Cub Cadet, l'adresse de son site Web et son adresse d'expédition au bas de cette page. Nous tenons à assurer votre entière satisfaction en tout temps.

Toutes les références que vous retrouverez dans ce manuel au sujet du côté *gauche* et du côté *droit* de la machine sont observées à partir de la position d'utilisation.

Tables des matières

Importantes consignes de sécurité	35	Utilisation	46
Contenu de la boîte et jeux de montage	37	Garantie	Verso
Assemblage et installation	41		

Renseignements d'enregistrement du produit

Avant d'installer et de mettre en marche votre nouvel équipement, veuillez chercher la plaque du modèle et enregistrer l'information dans la section offerte à cet effet à droite. Vous trouverez la plaque du modèle près du côté externe du couvercle du dispositif d'ensachage. La plaque du modèle contient le numéro de modèle de l'unité et les numéros de série de l'appareil. Ces renseignements seront indispensables pour faire la demande de soutien technique par l'intermédiaire de notre site Web, pour obtenir de l'aide du Service de soutien à la clientèle ou pour communiquer avec un concessionnaire de service agréé local.

NUMÉRO DE MODÈLE

--	--	--	--	--	--	--	--	--	--	--	--

NUMÉRO DE SÉRIE

--	--	--	--	--	--	--	--	--	--	--	--


Assistance à la clientèle


Si vous éprouvez de la difficulté à assembler ce produit ou pour toutes questions au sujet des commandes, du fonctionnement ou de l'entretien de ce dispositif, il est possible de recevoir les conseils d'experts. Choisissez l'une des options ci-dessous :

- ◇ Consultez notre site Web au www.cubcadet.com
- ◇ Appelez un représentant de l'assistance à la clientèle au 1 800 965-4CUB
- ◇ Trouvez notre concessionnaire Cub Cadet le plus proche en appelant à 1 877 282-8684
- ◇ Écrivez-nous à Cub Cadet LLC • P.O. Box 361131 • Cleveland, OH • 44136-0019

Importantes consignes de sécurité

2.

 **AVERTISSEMENT** Ce symbole indique d'importantes consignes de sécurité qui, si elles ne sont pas respectées, peuvent mettre en danger votre propre sécurité et celle d'autrui et/ou de provoquer des dommages matériels. Veuillez lire et respecter toutes les instructions du présent manuel avant de faire fonctionner cette machine. Le non-respect de ces directives pourrait entraîner des blessures corporelles. Lorsque vous voyez ce symbole, **RESPECTEZ L'AVERTISSEMENT!**

 **DANGER!** Ce dispositif a été conçu pour être utilisé selon les pratiques d'utilisation sécuritaires décrites dans ce manuel. Une imprudence ou une erreur de jugement de la part de l'opérateur peut entraîner des blessures graves. Les tondeuses peuvent amputer des mains et des pieds, ainsi que projeter des objets. Le non-respect des consignes de sécurité et des instructions fournies avec votre tondeuse pourrait entraîner des blessures graves et même causer la mort.



PROPOSITION 65 DE LA CALIFORNIE!

AVERTISSEMENT! Ce produit contient au moins un composé chimique reconnu dans l'état de la Californie comme produit pouvant provoquer des cancers et des malformations congénitales et avoir une incidence négative sur l'appareil reproducteur.

Utilisation en général

1. Veuillez lire, assimiler et respecter les avertissements et les instructions qui sont apposés sur le dispositif et dans leurs manuels respectifs avant de monter et de mettre en marche l'équipement. Conservez le présent manuel dans un endroit sûr pour consultation régulière et ultérieure, de même que pour commander des pièces de rechange.
2. Pour éviter tout contact avec la lame ou d'être blessé par un projectile, éloignez les enfants, les passants, les assistants et les animaux à au moins 75 pieds de la tondeuse en cours de fonctionnement. Arrêtez l'appareil si quelqu'un pénètre dans la zone de travail.
3. Examinez soigneusement la zone où la tondeuse sera utilisée. Retirez toutes les pierres, tous les bâtons, les fils, les os, les jouets et les autres objets qui pourraient être avalés et projetés par les lames. Les objets projetés peuvent provoquer des blessures corporelles graves.
4. Pour protéger vos yeux, portez toujours des lunettes de sécurité munies ou non de coques en utilisant l'appareil, lors de réglages ou de réparations. Les objets projetés, qui ricochent, risquent de blesser grièvement les yeux.
5. Ne faites pas fonctionner la tondeuse sans son clapet d'éjection ou son bac de ramassage installé dans son emplacement approprié. Un clapet d'éjection ou un composant du dispositif d'ensilage manquant ou endommagé peut entraîner des blessures causées par la projection d'objets ou par le contact avec la lame.
6. N'approchez pas vos mains et vos pieds des pièces en rotation et ne les passez jamais sous le plateau de coupe. Un contact avec les lames risque d'amputer les mains et les pieds.
7. Coupez le moteur de la tondeuse et attendez que les lames s'immobilisent complètement avant de déboucher l'ouverture d'éjection ou les pièces du dispositif d'ensilage de la tondeuse.
8. Ralentissez avant de tourner. Manoeuvrez la machine en douceur. Évitez le fonctionnement erratique et une vitesse excessive. Tenez compte du fait que les accessoires d'ensilage peuvent influencer les caractéristiques de manipulation de votre tondeuse.
9. Désengorgez les lames, placez le frein à main, coupez le moteur et attendez l'immobilisation complète des lames avant d'ouvrir le couvercle du bac de ramassage, de retirer celui-ci, de vider l'herbe, de déboucher la goulotte, de retirer les débris, ou en effectuant tout autre ajustement. Ne laissez jamais une machine en marche sans surveillance. Attendez toujours que les lames s'immobilisent, placez la transmission au neutre, mettez le frein à main, coupez le moteur et retirez la clé avant le démontage.

10. Votre machine est conçue pour tondre du gazon résidentiel normal. Ne tentez pas de couper la pelouse exceptionnellement longue et sèche (par exemple, des pâturages) ou des amas de feuilles mortes. De la pelouse sèche ou des feuilles mortes peuvent entrer en contact avec l'échappement du moteur ou s'accumuler sur la plate-forme de la tondeuse offrant un risque d'incendie potentiel.
11. En cas de situations qui ne sont pas mentionnées dans le présent manuel, soyez prudent et faites preuve de bon sens. Pour obtenir de l'aide, communiquez avec un représentant du service à la clientèle.

Utilisation sur une pente

Les pentes sont l'un des principaux facteurs qui contribuent à la perte de contrôle et aux accidents liés aux renversements qui peuvent entraîner des blessures graves et même causer la mort. Les accessoires de tonte peuvent également affecter la stabilité de la machine. Tout travail sur des pentes exige des précautions supplémentaires.

Par mesure de sécurité, utilisez l'inclinomètre fourni dans le présent manuel pour mesurer l'inclinaison du terrain avant d'utiliser cet appareil dans une zone en pente ou montagneuse. Si la pente est supérieure à 10 degrés comme indiqué sur l'inclinomètre, retirez les accessoires de tonte (c.-à-d. le sac de ramassage, etc.) avant de commencer le travail dans ce secteur, car des blessures graves pourraient s'en suivre.

À faire :

1. Tondez parallèlement à la pente, jamais en travers. Faites preuve d'une extrême prudence lors des changements de direction sur une pente.
2. Faites attention aux trous, aux ornières, aux pierres ou aux objets dissimulés dans l'herbe. Un terrain inégal peut faire retourner la machine. Des herbes hautes peuvent dissimuler des obstacles.
3. Roulez à basse vitesse. Choisissez un réglage de vitesse suffisamment bas pour que vous n'ayez pas à arrêter ou à changer de vitesse lorsque vous vous trouvez sur une pente. Quoique les freins fonctionnent correctement, les pneus peuvent perdre une certaine traction sur les pentes. Maintenez toujours la machine embrayée lorsque vous descendez les pentes afin de tirer avantage de l'action de freinage du moteur.
4. Respectez les recommandations du fabricant pour les poids ou les contrepoids des roues afin d'améliorer la stabilité. Gardez tous les mouvements lents et progressifs lorsque vous vous trouvez sur les pentes. Ne changez pas brusquement de vitesse ou de direction. Un embrayage ou un freinage brusque pourrait faire basculer la machine et causer un renversement arrière, causant ainsi des blessures graves.

5. Évitez de mettre en marche la machine ou de vous arrêter sur une pente. Si les pneus perdent de la traction, désembrayez les lames et dirigez-vous lentement vers le bas de la pente.

À ne pas faire :



1. Si possible, évitez de changer de direction sur les pentes à moins que ce ne soit absolument nécessaire.
2. Ne tondez pas près de descentes, de fossés ou de remblais. La tondeuse pourrait basculer soudainement si une roue se trouve au bord d'une falaise, d'un fossé ou si un bord s'affaisse.
3. N'essayez pas de stabiliser la machine en mettant votre pied au sol.
4. Ne vous servez pas d'un bac de ramassage sur les pentes raides.
5. Ne tondez pas de l'herbe mouillée. Une traction réduite pourrait causer un glissement.

Entretien général

1. Avant de nettoyer, de réparer ou d'examiner la tondeuse, assurez-vous que la lame et toutes les pièces mobiles sont immobiles. Débranchez le fil de la bougie d'allumage et mettez-le à la terre contre le moteur pour empêcher tout démarrage intempestif.
2. Afin de vous assurer que l'équipement conserve une condition de travail sécuritaire, maintenez tous les écrous, boulons et vis bien serrés.
3. N'altérez jamais le système de verrouillage de sécurité de votre tondeuse ni d'autres dispositifs de sécurité. Vérifiez régulièrement leur bon fonctionnement.
4. Ne tentez jamais de faire des ajustements ou des réparations lorsque le moteur de la tondeuse tourne.
5. Les composants du sac à herbe et du clapet d'éjection peuvent s'user et s'endommager; par conséquent, ils peuvent exposer les pièces mobiles ou provoquer la projection d'objets. Par mesure de sécurité, vérifiez régulièrement les composants et remplacez-les immédiatement avec des pièces de rechange authentiques du fabricant uniquement. Consultez la liste des pièces dans ce manuel. L'emploi de pièces non conformes aux caractéristiques du matériel d'origine pourrait entraîner une performance inférieure et compromettre la sécurité!
6. Prenez soin des étiquettes de sécurité et remplacez-les au besoin.

Symboles de sécurité

Ce tableau illustre et décrit les symboles de sécurité qui peuvent apparaître sur ce produit. Avant son utilisation, lisez, assimilez et respectez toutes les instructions apposées sur l'appareil.

Symbole	Description
	Avant d'assembler ou d'utiliser cet appareil, lisez, comprenez et respectez toutes les instructions décrites dans ces manuels.
	ARRÊTER Coupez le moteur avant d'ouvrir le couvercle du bac de ramassage.



AVERTISSEMENT! C'est votre responsabilité—Limitez l'utilisation de cet appareil motorisé à des personnes qui peuvent lire, assimiler et respecter les avertissements et les instructions qui figurent dans le présent manuel et qui sont apposés sur l'appareil.

CONSERVEZ CES INSTRUCTIONS!

Indinométre

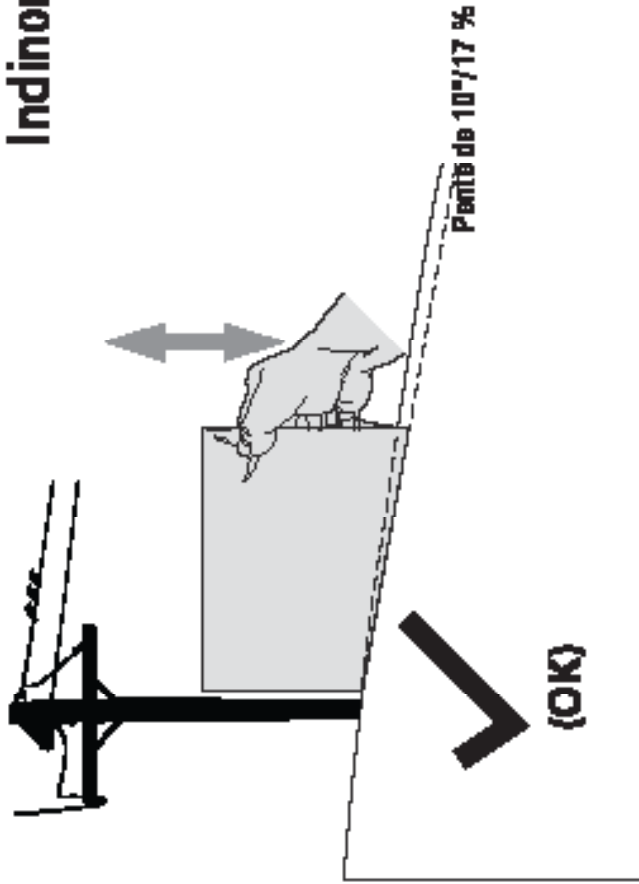


Figure 1

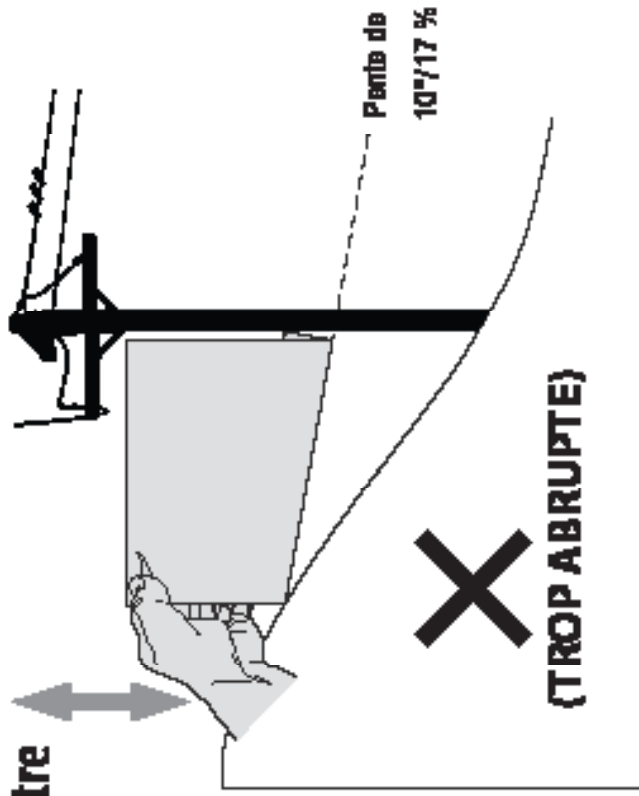


Figure 2

Ligne pointillée 10°/17 %

UTILISER CET INCLINOMÈTRE POUR

- Pour valider la pente, procédez comme suit :
1. Vérifiez votre angle et placez-le à la ng de la ligne pointillée.
 2. Localisez un objet vertical sur la pente ou derrière elle - il se, en un point, un bit-trait, une débris, un arbre, etc.
 3. Alignez l'un des côtés de l'inclinomètre avec l'objet (comme le Figure 1 et le Figure 2).
 4. Ajoutez l'inclinomètre vers la haut ou vers le bas jusqu'à ce que la ligne pointillée touche la pente (comme le Figure 1 et le Figure 2).
 5. Si l'angle est inférieur à l'inclinomètre, la pente est trop raide pour un fonctionnement en toute sécurité (comme le Figure 2 et ci-dessus).



AVERTISSEMENT! Les pentes sont l'un des principaux facteurs qui contribuent aux accidents liés aux renversements pouvant entraîner des blessures graves et même causer la mort.

Ne pas utiliser cette machine sur une pente dont l'inclinaison est supérieure à 10 degrés. Tout travail sur des pentes exige des précautions supplémentaires. Si vous ne pouvez pas reculer sur la pente ou si nous ne vous sentez pas à l'aise de le faire, n'y passez pas la tondeuse. Utilisez toujours la tondeuse parallèlement à la pente, jamais en travers.

Dispositif d'ensachage triple de 50 po (1,27 m) ou 54 po (1,37 m) – 19A70056100

Avant de commencer l'installation, retirez toutes les pièces de la boîte afin de vous assurer qu'il ne manque rien. Le contenu de la boîte est indiqué ci-dessous et il est illustré à la Figure 3-1. La trousse de matériel incluse dans cette trousse est détaillée à la fin de la présente section.

- Assemblage de la culotte – 631-05103
- Assemblage du sac à herbe (3) – 664-05104
- Support d'ensachage vertical – 683-04519C
- Support du sac à herbe – 683-04498B
- Adaptateur de goulotte – 731-10133
- Bouchons terminaux (6) – 735-0246A
- Assemblage du dispositif d'ensachage supérieur – 819-010779
- Assemblage du tuyau – 819-010699
- Tige d'articulation – 711-05079
- Support d'adaptateur – 819-010661
- Support d'adaptateur d'articulation – 789-02137
- Écran de protection du dispositif d'ensachage – 731-06504
- Poids du dispositif d'ensachage TZT – 719-04217A
- Plaques de poids (3) – 789-02137
- Support de suspension du poids de gauche – 789-02197
- Support de suspension du poids de gauche – 789-021978
- Trousse de matériel – 689-01419
- Bandes adhésives antimarquage – 777X52246

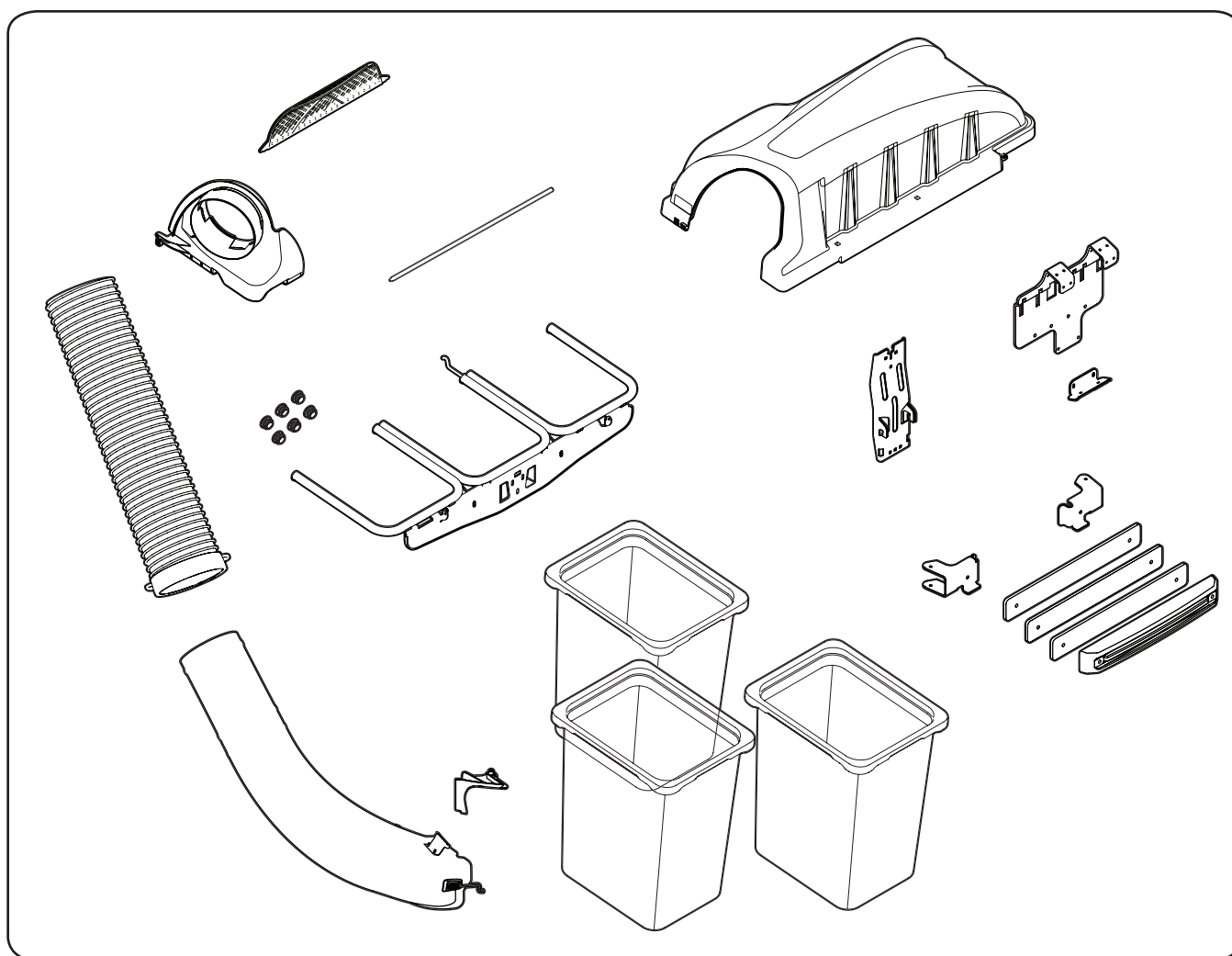


Figure 3-1

Dispositif d'ensachage double de 42 po (1 m) ou 46 po (1,18 m) – 19A70054100

Avant de commencer l'installation, retirez toutes les pièces de la boîte afin de vous assurer qu'il ne manque rien. Le contenu de la boîte est indiqué ci-dessous et il est illustré à la Figure 3-2. La trousse de matériel incluse dans cette trousse est détaillée à la fin de la présente section.

- Assemblage de la culotte – 731-09329A
- Assemblage du sac à herbe (2) – 664-05104
- Support d'ensachage vertical – 683-04519C
- Support du sac à herbe – 683-05329A
- Bouchons terminaux (4) – 735-0246A
- Couvercle du dispositif d'ensachage – 631-05474B
- Assemblage mural du dispositif d'ensachage – 631-05491B
- Paroi de gauche du couvercle du dispositif d'ensachage – 731-12350B
- Assemblage du tuyau – 819-010501
- Tige d'articulation – 711-06701
- Support d'adaptateur – 819-010661
- Support d'adaptateur d'articulation – 789-02137
- Poids du dispositif d'ensachage TZT – 719-04217A
- Plaques de poids (3) – 789-02137
- Support de suspension du poids de gauche – 789-02197
- Support de suspension du poids de gauche – 789-021978
- Trousse de matériel – 689-01419
- Bandes adhésives antimarquage – 777X52246
- Trousse de matériel du dispositif d'ensachage – 689-00636

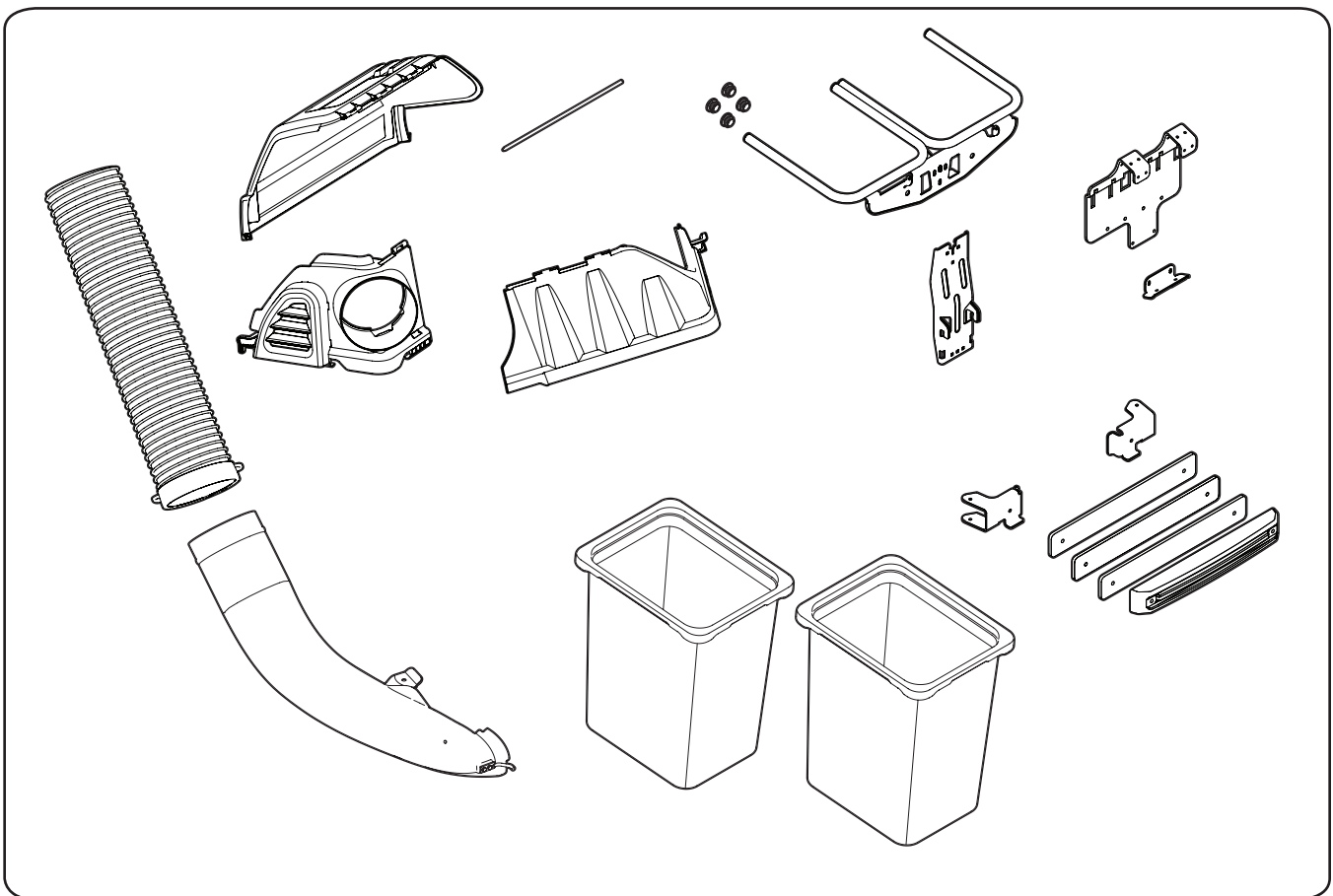


Figure 3-2

Dispositif d'ensachage double de 50 po (1,27 m) ou 54 po (1,37 m) – 19A70055100

Avant de commencer l'installation, retirez toutes les pièces de la boîte afin de vous assurer qu'il ne manque rien. Le contenu de la boîte est indiqué ci-dessous et il est illustré à la Figure 3-3. La trousse de matériel incluse dans cette trousse est détaillée à la fin de la présente section.

- Assemblage de la culotte – 631-05103
- Assemblage du sac à herbe (2) – 664-05104
- Support d'ensachage vertical – 683-04519C
- Support du sac à herbe – 683-05329A
- Adaptateur de goulotte – 731-10133
- Bouchons terminaux (4) – 735-0246A
- Couvercle du dispositif d'ensachage – 631-05474B
- Assemblage mural du dispositif d'ensachage – 631-05491B
- Paroi de gauche du couvercle du dispositif d'ensachage – 731-12350B
- Assemblage du tuyau – 819-010699
- Tige d'articulation – 711-06701
- Support d'adaptateur – 819-010661
- Support d'adaptateur d'articulation – 789-02137
- Poids du dispositif d'ensachage TZT – 719-04217A
- Plaques de poids (3) – 789-02137
- Support de suspension du poids de gauche – 789-02197
- Support de suspension du poids de gauche – 789-021978
- Trousse de matériel – 689-01419
- Bandes adhésives antimarquage – 777X52246

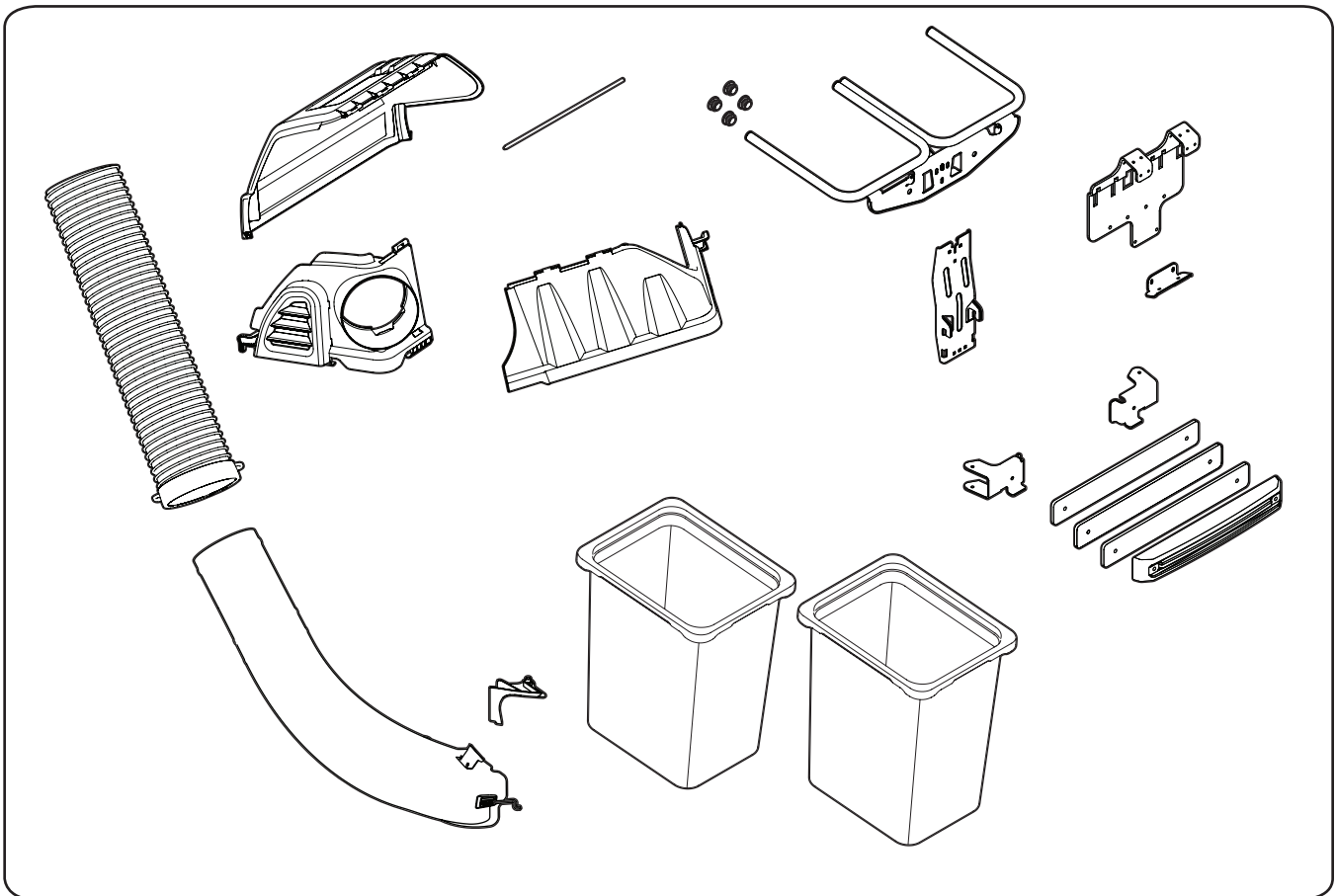
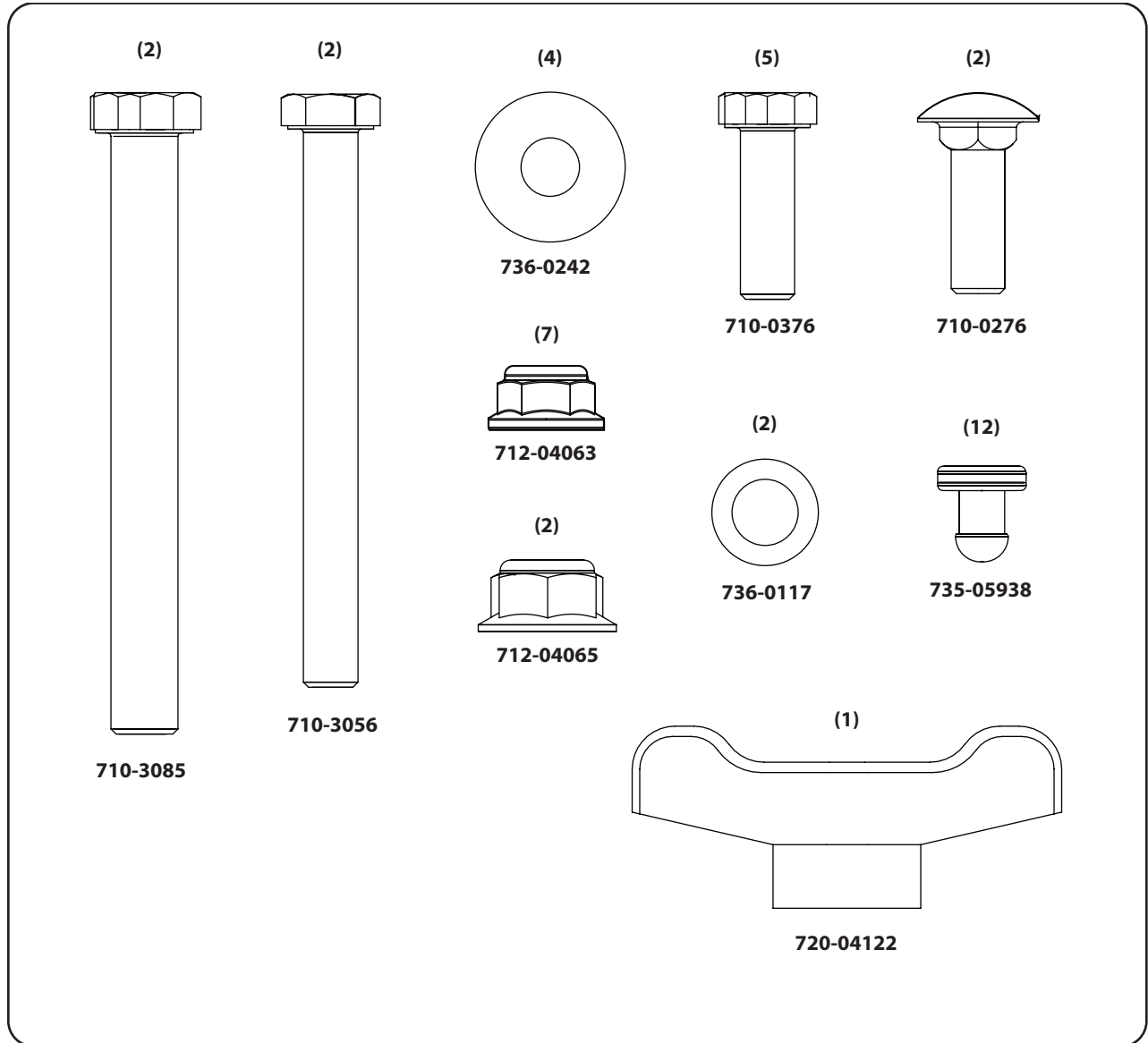


Figure 3-3

CONTENU DU JEU DE MONTAGE

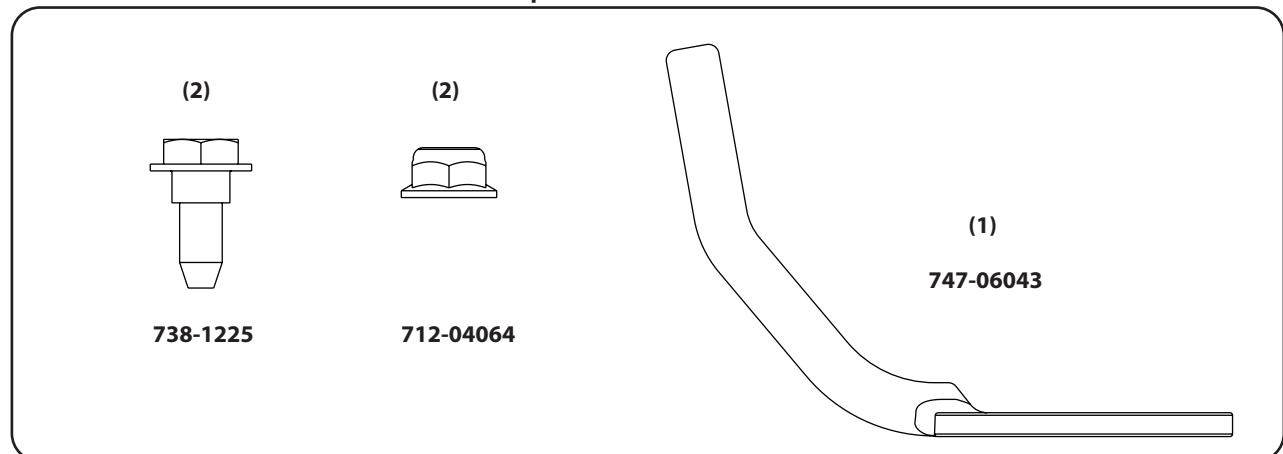
Veillez comparer le matériel fourni avec les illustrations ci-dessous. La quantité de chaque article est indiquée dans les parenthèses.

Trousse de matériel – 689-01419



Trousse de matériel 689-00636

* Uniquement avec 19A70054100



REMARQUE : Sauf indication contraire, les références aux côtés gauche, droit, avant et arrière du tracteur proviennent de la position du chauffeur.

- Avant l'assemblage, déplacez le tracteur sur une surface horizontale, débrayez la PDF, arrêtez le moteur et enclenchez le frein de stationnement.

Montage des supports de fixation

- Installez douze tampons en caoutchouc (735-05938) dans le support de l'adaptateur (789-02277). Fixez-les solidement en utilisant les orifices de montage illustrés à la Figure 4-1.

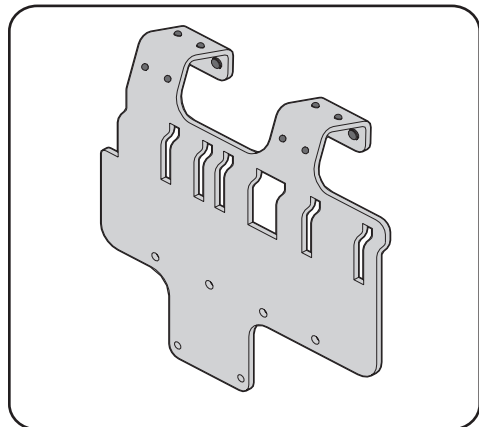


Figure 4-5

REMARQUE : Après chaque saison, vérifiez que les coussinets de protection ne sont pas trop usés; remplacez-les si nécessaire.

Installer l'ensemble de support sur le tracteur

REMARQUE : Lors de l'assemblage de cet ensemble de montage, il est préférable de ne pas serrer complètement le support pour l'instant. Ceci facilitera le processus de montage des étapes ultérieures, ce qui nécessitera alors le serrage complet de cet ensemble.

Remarque : Le dispositif d'ensachage triple 19A70056100 peut uniquement être installé sur les RZT de la série Ultima ZT2. Reportez-vous à la Figure 4-2 pour déterminer le modèle en fonction du type de support d'attelage. Veuillez communiquer avec le service à la clientèle si vous constatez des anomalies.

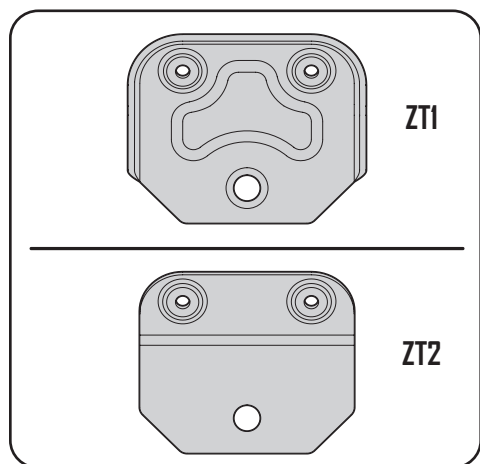


Figure 4-6

Pour installer le support de fixation sur le tracteur, veuillez suivre les étapes suivantes :

- Retirer le support d'attelage.
- Pour l'installation du ZT1 uniquement :** Placez deux rondelles (736-0242) entre l'adaptateur de support d'attelage (789-02298) et le support d'attelage retiré à l'Étape 1.
- Installez l'ensemble du support sur le châssis inférieur du tracteur au moyen de deux vis d'assemblage (710-0376). Consultez la Figure 4-3.

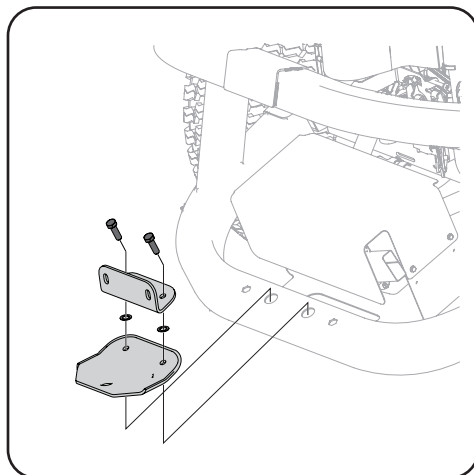


Figure 4-7

- Accrochez le support de l'adaptateur au tube à cadre supérieur et connectez-le à l'adaptateur du support d'attelage (789-02298) au moyen de deux vis (710-0376), de deux rondelles (736-0242) et de deux contre-écrous d'épaulement (710-04063). Consultez la Figure 4-4.

Remarque : Assurez-vous que le support de l'adaptateur repose fermement sur le tube à cadre supérieur.

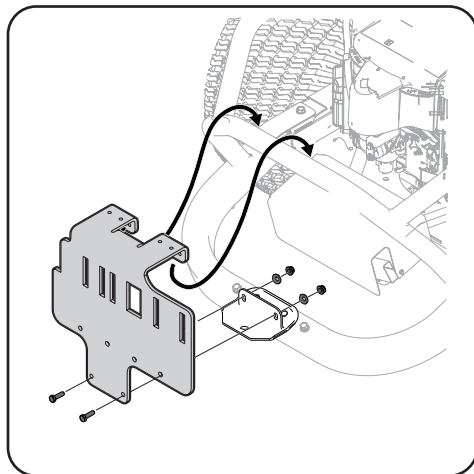


Figure 4-8

- À ce moment, serrez tout le matériel installé.

Installer un support vertical

Remarque : Ce manuel couvre diverses configurations de dispositif d'ensachage. Veuillez suivre les instructions applicables à votre machine.

- En vous aidant de la Figure 4-5 et du tableau ci-dessous, localisez l'orifice de montage approprié sur le support de montage de votre tracteur :

Numéro de modèle	Description	Position
19A70054100	Dispositif d'ensachage double de 42 po (1 m) ou 46 po (1,18 m)	4
19A70055100	Dispositif d'ensachage double de 50 po (1,27 m) ou 54 po (1,37 m)	3
19A70056100	Dispositif d'ensachage triple de 50 po (1,27 m) ou 54 po (1,37 m)	1

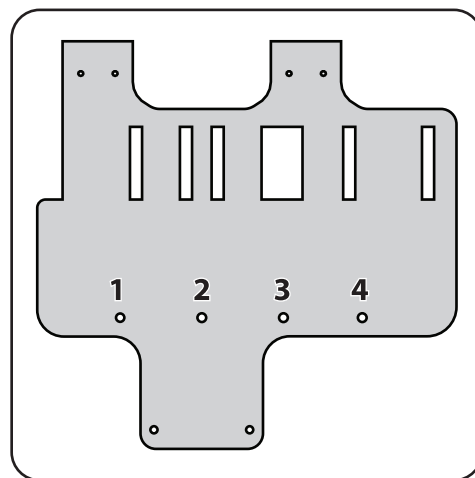


Figure 4-9

Remarque : La position de l'orifice 2 n'est actuellement pas utilisée.

- Installez le support de fixation vertical sur la plaque de fixation du tracteur en l'accrochant sur l'ensemble de fixation comme montré à la Figure 4-6.
- Fixez le support de fixation droit à l'ensemble de montage à l'aide d'un boulon à tête hexagonale (710-0376) et d'un contre-écrou d'épaulement (712-04063) provenant de la trousse de matériel 689-01419. Reportez-vous à la Figure 4-6.

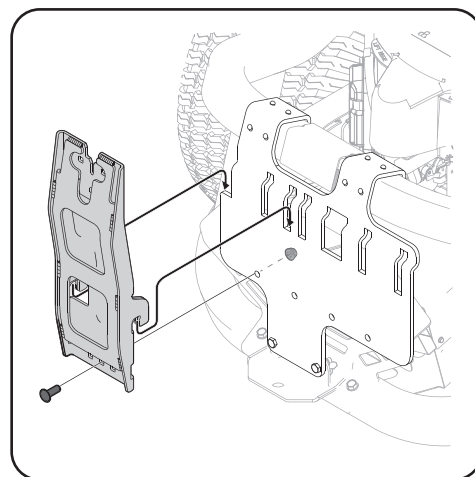


Figure 4-10

Installation de l'ensemble de support – Modèles de dispositif d'ensachage double

Pour les numéros de modèle 19A70054100 and 19A70055100, suivez les étapes ci-dessous. Pour le dispositif d'ensachage triple dont le numéro de modèle est 19A70056100, passez à la section suivante.

1. Installez et fixez l'ensemble de support au support de fixation vertical à l'aide de deux boulons de carrosserie (710-0276), de deux rondelles coniques (736-0242) et de deux contre-écrous d'épaulement (712-04063) provenant de la trousse de matériel 689-01419. Consultez la Figure 4-7.

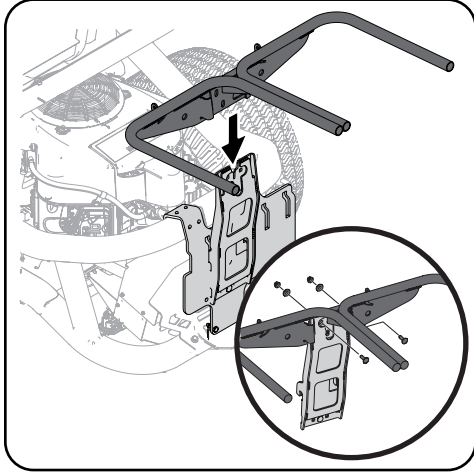


Figure 4-11

REMARQUE : Les boulons de carrosserie (710-0276), provenant de la trousse de matériel 689-01419, vont dans l'orifice supérieur, avec l'écrou faisant face au moteur. Les écrous à tête hexagonale (710-0376) de la même trousse de matériel, vont dans l'orifice inférieur.

Installation de l'ensemble de support de l'ensacheuse – Modèles de dispositif d'ensachage triple

Pour le numéro de modèle 19A70056100, suivez les étapes ci-dessous.

2. Installez et fixez l'ensemble de support au support de fixation vertical à l'aide de deux boulons de carrosserie (710-0276), de deux rondelles coniques (736-0276) et de deux contre-écrous d'épaulement (712-04063) provenant de la trousse de matériel 689-01419. Figure 4-8.

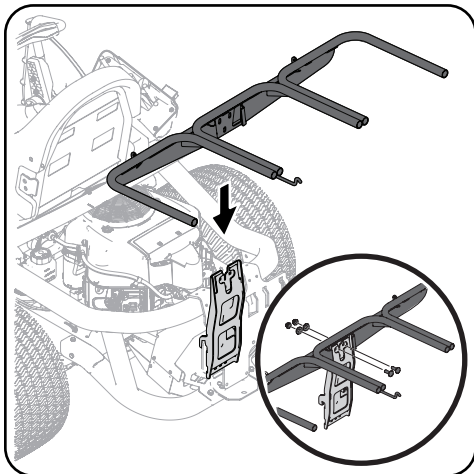


Figure 4-12

REMARQUE : Les boulons de carrosserie (710-0276), provenant de la trousse de matériel 689-01419, vont dans l'orifice supérieur, avec l'écrou faisant face au moteur. Les écrous à tête hexagonale (710-0376) de la même trousse de matériel, vont dans l'orifice inférieur.

Installation des composants supérieurs du dispositif d'ensachage – Modèles de dispositif d'ensachage double

Pour les numéros de modèle 19A70054100 and 19A70055100, suivez les étapes ci-dessous. Pour le dispositif d'ensachage triple dont le numéro de modèle est 19A70056100, passez à la section suivante.

Une fois les supports de montage assemblés et en place sur le tracteur, procédez comme suit pour assembler les autres composants de l'ensacheuse.

1. **S'il n'est pas déjà installé par l'usine,** enclenchez le couvercle de l'évent dans les orifices situés sur l'ensemble de support de goulotte.
2. Insérez le support en plastique de la goulotte supérieure en clipsant d'abord la partie latérale sur la barre (1) de support de l'ensacheuse, comme illustré à la Figure 4-9.

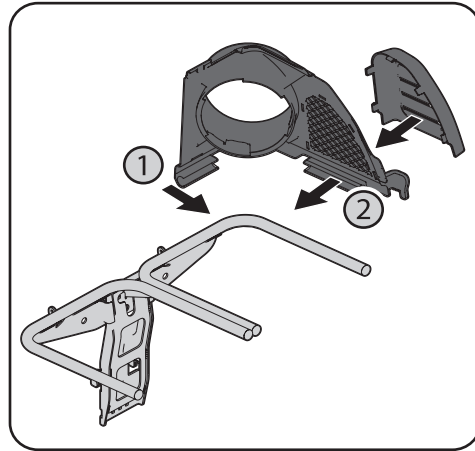


Figure 4-13

3. Insérez la partie avant de la goulotte de descente à la barre (2), comme illustré à la Figure 4-9.
4. Insérez le support du couvercle supérieur sur la barre de support de l'ensacheuse en l'inclinant légèrement. Faites pivoter l'ensemble vers le bas et dans l'ensemble du support de goulotte, en veillant à ce que la languette (illustrée à la Figure 4-10) soit verrouillée en place.

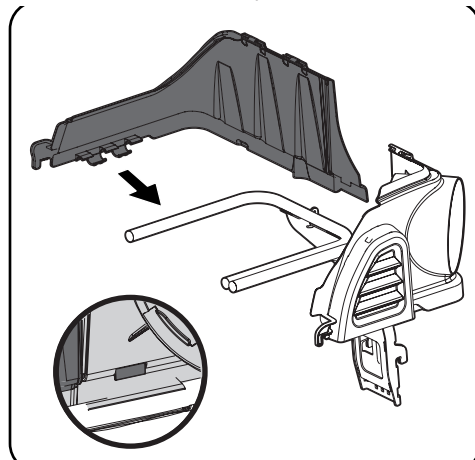


Figure 4-14

5. Installez le couvercle supérieur de l'ensacheuse en alignant les onglets du couvercle et en faisant glisser la broche de montage dans le canal, comme illustré à la Figure 4-11.

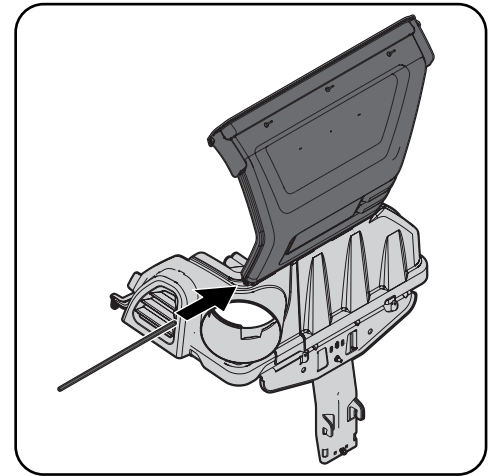


Figure 4-15

6. Ouvrez le capot en enfonçant les onglets arrière avec votre main (1) l'ouvrir, comme illustré à la Figure 4-12 et en soulevant le couvercle de l'autre main au centre, à l'arrière du couvercle de l'ensacheuse (2).

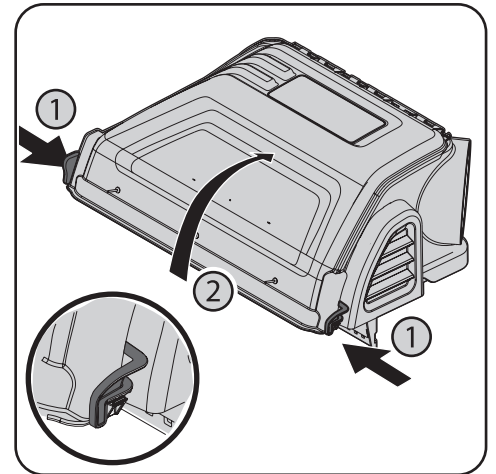


Figure 4-16

7. Installez les deux ensembles de sac sur les supports de sac en insérant le bord avant en premier (1), puis en abaissant le bord arrière jusqu'à ce qu'il s'insère dans l'ensemble (2), comme illustré à la Figure 4-13.

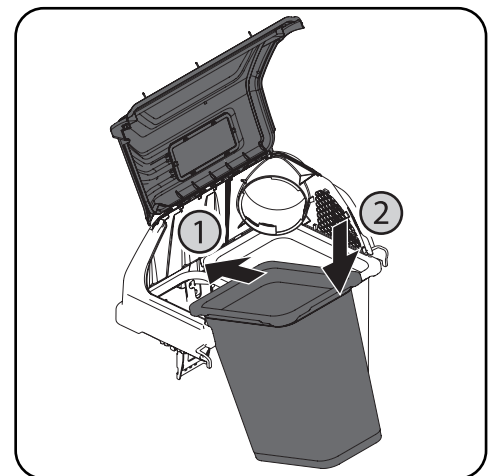


Figure 4-17

Installation des composants supérieurs du dispositif d'ensachage – Modèles de dispositif d'ensachage triple

Pour le numéro de modèle 19A70056100, suivez les étapes ci-dessous pour installer les composants de l'ensacheuse.

Une fois les supports de montage assemblés et en place sur le tracteur, procédez comme suit pour assembler les autres composants de l'ensacheuse.

1. Insérez le support en plastique de la goutlotte supérieure en clipsant d'abord la partie latérale sur la barre (1) de support de l'ensacheuse, comme illustré à la Figure 4-14.

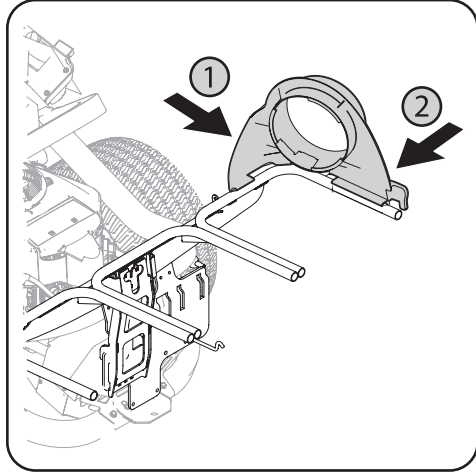


Figure 4-18

2. Insérez la partie avant de la goutlotte de descente à la barre (2), comme illustré à la Figure 4-14.
3. **S'il n'est pas déjà installé par l'usine,** installez l'écran de l'ensacheuse dans le couvercle en insérant d'abord une extrémité dans l'orifice de montage découpé correspondant. Assurez-vous de faire passer l'écran sous la lèvre, comme illustré à la Figure 4-15.

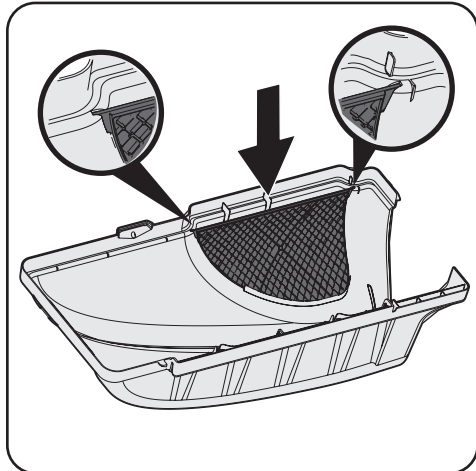


Figure 4-19

4. Installez le couvercle de l'ensacheuse sur le dispositif de soutien de sac, comme illustré à la Figure 4-16. Le couvercle de plastique doit être placé à l'intérieur des deux languettes de montage.

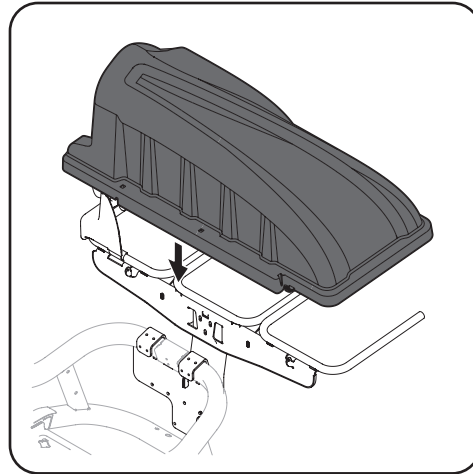


Figure 4-20

5. Glissez la broche dans l'orifice de l'onglet de fixation, comme illustré à la Figure 4-17. Servez-vous des fenêtres de découpe (reportez-vous à l'encadré de la Figure 4-17) pour aligner la broche de l'autre côté et enfoncez-la complètement, jusqu'à ce qu'elle atteigne la butée. À cette étape, la broche s'enclenche en place et est fixée à l'aide de l'onglet qui se trouve dans le couvercle de l'ensacheuse.

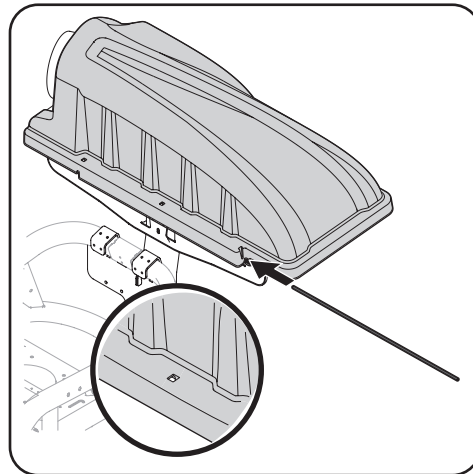


Figure 4-21

6. Ouvrez le couvercle en enfonçant l'onglet d'arrière droite de l'ensacheuse avec votre main droite (1) et soulevez le couvercle en plaçant votre main gauche au centre, à l'arrière du couvercle de l'ensacheuse (2), comme illustré au point, comme illustré à la Figure 4-18.

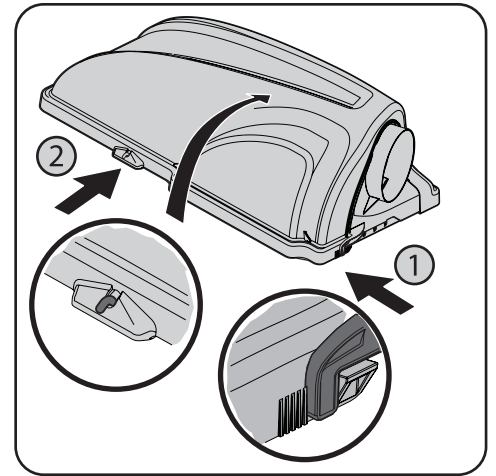


Figure 4-22

7. Installez les trois ensembles de sac sur les supports de sac en insérant le bord avant en premier (1), puis en abaissant le bord arrière jusqu'à ce qu'il s'insère dans l'ensemble (2), comme illustré à la Figure 4-19.

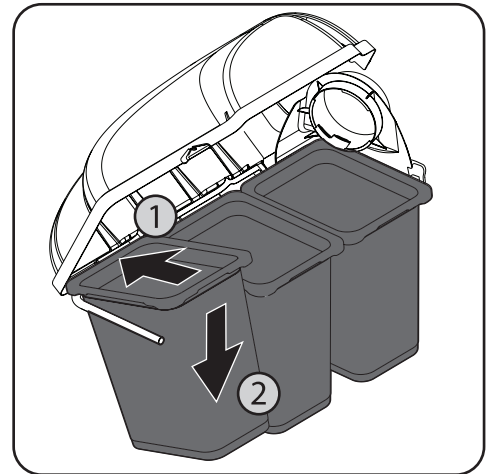


Figure 4-23

Installation de la goutlotte d'éjection – 19A70054100 – Dispositif d'ensachage double de 42 po (1 m) ou 43 po (1,17 m)

1. Installez le support de tige de montage (747-06043) sur la culotte à l'aide de deux vis à épaulement (738-1225) et de deux écrous de blocage à bride (712-04064) de la trousse de quincaillerie 689-00636. Assurez-vous que les vis à épaulement (738-1225) sont posées à l'intérieur de la culotte. Consultez la Figure 4-20.

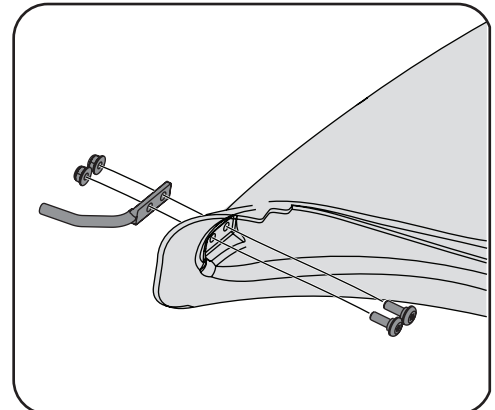


Figure 4-24

2. Tandis que la goulotte d'éjection du tracteur est relevée et maintenue ouverte (1), installez le coude de la goulotte en plaçant la tige de montage du coude de la goulotte dans la patte de montage de la goulotte (2), comme indiqué à la Figure 4-21.

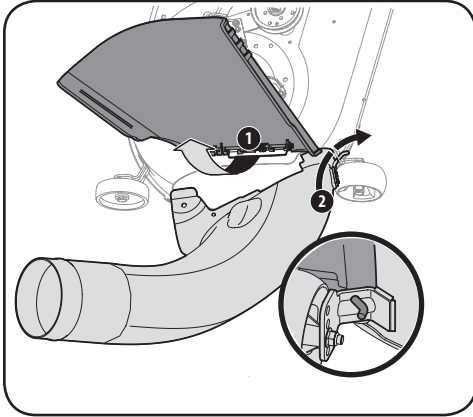


Figure 4-25

3. Fixez le coude de la goulotte au plateau de coupe à l'aide du bouton à ailettes (720-04122) fourni avec la trousse de quincaillerie 689-01419. Consultez la Figure 4-22.

Remarque : Le cas échéant, retirez le capuchon protecteur de la tige de fixation du plateau de coupe, comme indiqué dans l'encart supérieur de la Figure 4-22.

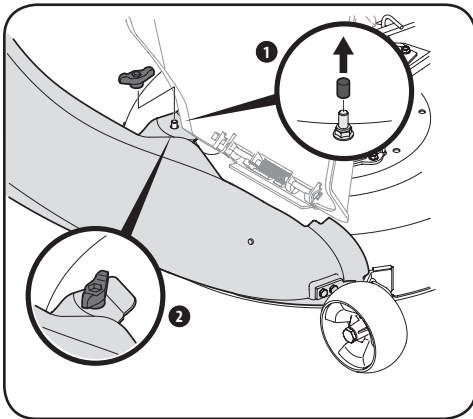


Figure 4-26

Important! Assurez-vous que le fond de la goulotte d'éjection est situé à l'intérieur de la lèvres de l'ouverture du plateau, comme montré à la Figure 4-23.

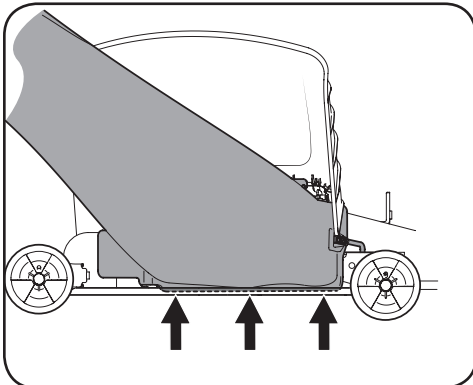


Figure 4-27

Installation de la goulotte d'éjection – 19A70055100 et 19A70056100 – Dispositif d'ensilage double de 50 po (1,27 m) ou 54 po (1,37 m)

Lors de l'installation de la goulotte d'éjection, deux instructions d'installation différentes existent. Pour les unités avec plateau de coupe fabriqué de 54 po (1,37 m), le coude de la goulotte de descente s'installe directement sur le plateau de coupe. Pour les plateaux de coupe estampés de 54 po (1,37 m), un adaptateur doit d'abord être installé. Assurez-vous de suivre les instructions relatives à l'unité sur laquelle vous installez cet ensacheur.

54" Fabricated Plateau de coupe Units:

1. Soulevez le plateau de coupe à la position maximale.
2. Soulevez le déflecteur de goulotte (consultez le numéro 1 de la Figure 4-24 sur le plateau de coupe et maintenez-le pendant que vous placez la goulotte de descente sur l'ouverture.

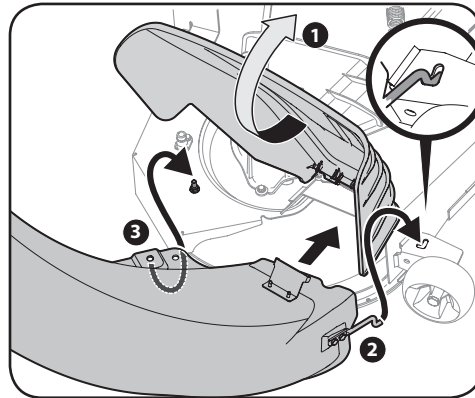


Figure 4-28

3. Insérez l'extrémité du coude de la goulotte de descente de décharge (2) dans l'orifice prévu à cet effet dans la roue du plateau de coupe, comme illustré dans l'encart de la Figure 4-24.
4. Faites pivoter la goulotte de décharge de descente vers l'arrière jusqu'à ce que l'orifice du coude de la goulotte de décharge s'aligne sur le plateau de coupe. Déplacez le coude de décharge vers le bas sur cette broche, comme illustré à la Figure 4-24.
5. Fixez le coude de la goulotte de descente au plateau de coupe au moyen du bouton à ailettes (720-04122) inclus dans la trousse du dispositif d'ensilage. Consultez la Figure 4-25.

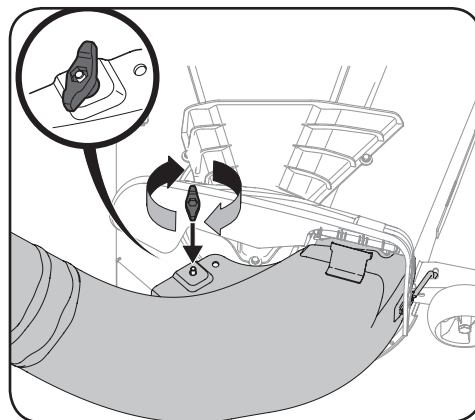


Figure 4-29

Sur les plateaux de coupe estampés de 50 po (1,27 m) et 54 po (1,37 m) :

1. Soulevez le plateau de coupe à la position maximale.
2. Retirez le capuchon de protection en caoutchouc du plateau de coupe, comme illustré au numéro 1 de la Figure 4-26.
3. Soulevez le déflecteur de goulotte (numéro 2 de la Figure 4-26) sur le plateau de coupe et maintenez-le en place pendant que vous installez l'adaptateur de goulotte (731-10133) (3), compris dans la trousse de quincaillerie 689-01419, sur le plateau de coupe, comme illustré à la Figure 4-26.

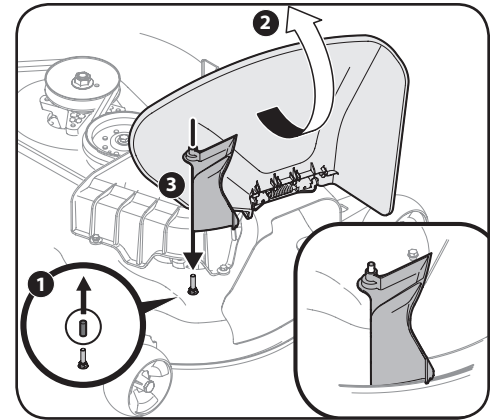


Figure 4-30

4. Insérez l'extrémité du coude de la goulotte de descente de décharge (1) dans l'orifice prévu à cet effet dans la roue du plateau de coupe, comme illustré dans l'encart de la Figure 4-27.

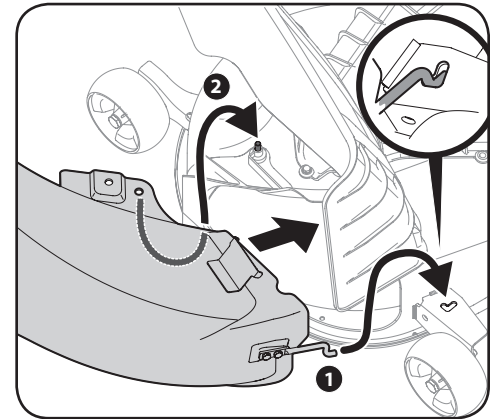


Figure 4-31

5. Faites pivoter la goulotte de décharge de descente vers l'arrière jusqu'à ce que l'orifice du coude de la goulotte de décharge s'aligne sur l'adaptateur du plateau de coupe. Déplacez le coude de décharge vers le bas sur cette broche, comme illustré au numéro 2 de la Figure 4-27.

- Fixez le coude de la goulotte de descente au plateau de coupe au moyen du bouton à ailettes (720-04122) inclus dans la trousse de quincaillerie 689-01419. Consultez la Figure 4-28.

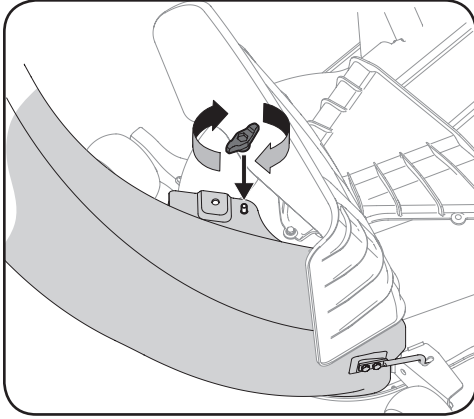


Figure 4-32

- Soulevez par les poignées situées dans la partie inférieure du tube de goulotte. Faites glisser le tube de goulotte sur le coude de goulotte monté sur le plateau de coupe, comme illustré à la Figure 4-30.

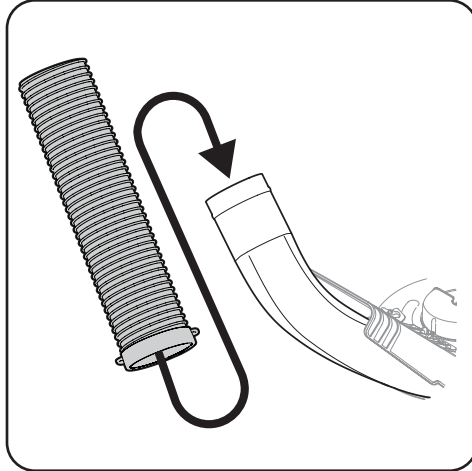


Figure 4-34

- Fixez le poids et les plaques de poids aux supports de suspension à l'aide de deux vis à tête hexagonale de 3/8 po (710-3085) et de deux écrous (712-04065) comme illustré à la Figure 4-32.

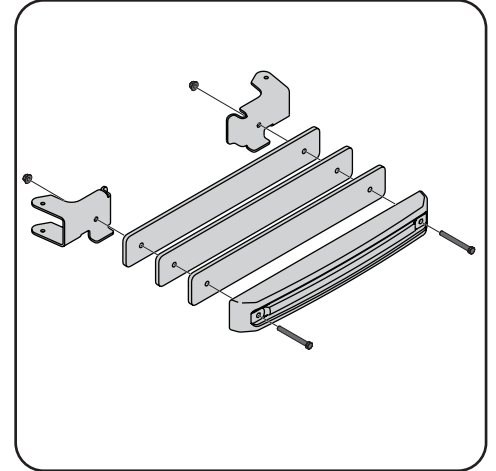


Figure 4-36

Installation du tube de la goulotte supérieure – Tous les modèles

- Vissez fermement l'extrémité supérieure du tube de goulotte dans le support de la goulotte supérieure. Pour assure un enfilage sûr, il y a deux languettes sur la partie intérieure du support de la goulotte supérieure. Consultez la Figure 4-29.

REMARQUE : Le filet du tube et le support de la goulotte supérieure sont **vers la gauche**. Vissez dans le sens antihoraire jusqu'à ce que l'élément soit bien en place.



Figure 4-33

- Assurez-vous que le raccord est sécuritaire et qu'il n'y a pas d'espace entre le tube et le coude de la goulotte.
- S'il est ouvert, fermez le couvercle du sac à herbe avant de procéder à la tonte.

- Centrez visuellement la barre de pesée sur le tracteur et utilisez deux vis à tête hexagonale de 5/16 po (710-3056) et deux écrous (712-04063) pour fixer l'ensemble de contreponds au tracteur, comme illustré à la Figure 4-33.

Installation du contreponds



AVERTISSEMENT : Cette trousse de poids avant est requise pour l'utilisation de tout modèle RZT compatible, équipé d'un collecteur d'herbe. Le non-respect de cette directive d'installation de cette trousse peut entraîner des blessures graves, voire la mort.



AVERTISSEMENT : Avant de commencer l'installation, placez le RZT sur une surface ferme et plane, serrez le frein de stationnement, placez la prise de force en position désengagée (OFF), arrêtez le moteur et retirez la clé de contact pour éviter tout démarrage involontaire.

- Avant l'assemblage, décollez les autocollants adhésifs de la feuille et appliquez-les sur les faces intérieures des supports de suspension de poids gauche et droit, comme indiqué à la Figure 4-31.

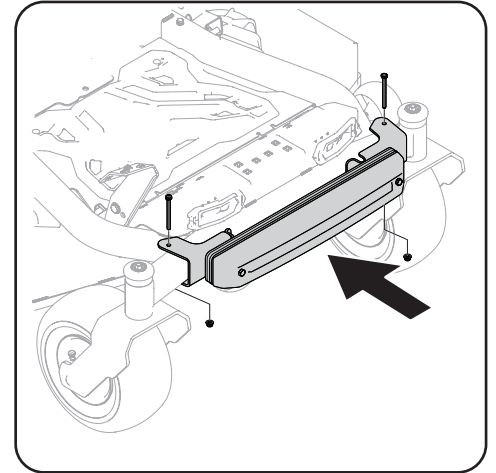


Figure 4-37

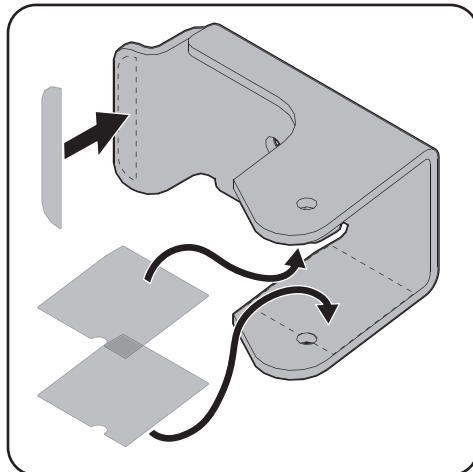


Figure 4-35

Utilisation du dispositif d'ensachage triple

Remarque : Lorsque tous les sacs à herbe sont pleins, immobilisez le tracteur sur une surface dure et de niveau, désembrayez la prise de force, coupez le moteur du tracteur et engagez le frein à main.

1. Ouvrez le capot du dispositif d'ensachage en appuyant sur l'arrière, la languette du côté droit avec votre main droite, comme illustré au point 1 de la Figure 5-1, et levez le couvercle avec votre main gauche placée sur à l'arrière du centre du couvercle du dispositif d'ensachage, point 2.

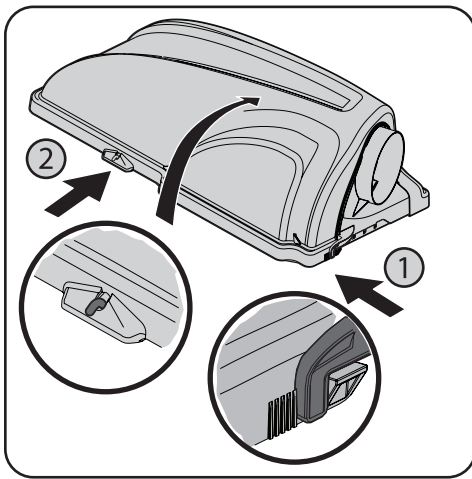


Figure 5-1

2. À ne pas faire : remove the chute tube Assemblage from the tractor.
3. Retirez les trois ensembles de sac des supports en soulevant d'abord le rebord avant, puis en faisant glisser le rebord arrière vers l'avant et vers le haut jusqu'à ce qu'il soit dégagé du cadre, comme illustré à la Figure 5-2.

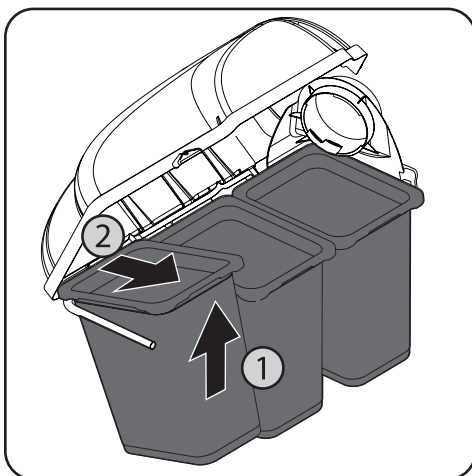


Figure 5-2

4. Videz les déchets de coupe dans un site d'élimination des déchets approprié, servez-vous de la poignée au fond de chaque sac à herbe. En maintenant fermement le sac, videz son contenu.
5. Remplacez les sacs à herbe, fermez le couvercle, remplacez le siège, redémarrez votre tracteur, déclenchez le frein de stationnement et continuez à tondre la pelouse.

Utilisation du dispositif d'ensachage double

Remarque : Lorsque les deux sacs à herbe sont pleins, immobilisez le tracteur sur une surface dure et de niveau, désembrayez la prise de force, coupez le moteur du tracteur et engagez le frein à main.

1. Ouvrez le capot en enfonçant les onglets arrière avec votre main (1) l'ouvrir, comme illustré à la Figure 5-3 et en soulevant le couvercle de l'autre main au centre, à l'arrière du couvercle de l'ensacheuse (2).

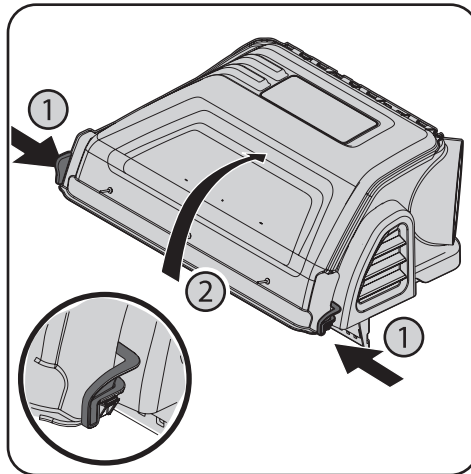


Figure 5-3

2. Ne retirez pas le tube de goulotte du tracteur.

3. Retirez les deux ensembles de sac des supports en soulevant d'abord le rebord avant, puis en faisant glisser le rebord arrière vers l'avant et vers le haut jusqu'à ce qu'il soit dégagé du cadre. Consultez la Figure 5-4.

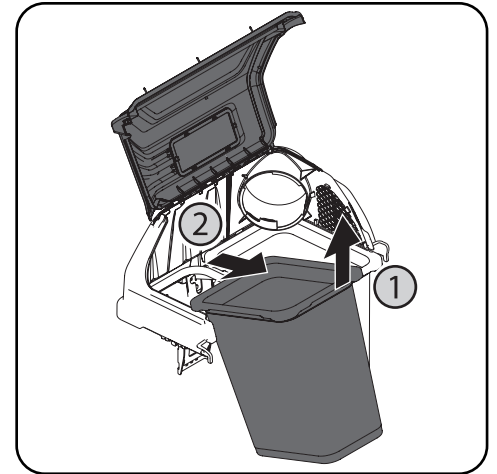


Figure 5-4

4. Videz les déchets de coupe dans un site d'élimination des déchets approprié, servez-vous de la poignée au fond de chaque sac à herbe. En maintenant fermement le sac, videz son contenu.
5. Remplacez les sacs à herbe, fermez le couvercle, remplacez le siège, redémarrez votre tracteur, déclenchez le frein de stationnement et continuez à tondre la pelouse.

GARANTIE LIMITÉE DE CUB CADET LLC

POUR LES ACCESSOIRES ET LES ÉQUIPEMENTS VENDUS SÉPARÉMENT

IMPORTANT : Pour obtenir une garantie, le propriétaire peut être tenu de présenter une preuve d'achat initiale et les dossiers d'entretien applicables au concessionnaire de service. Veuillez consulter le manuel de l'opérateur pour plus de renseignements au sujet intervalles d'entretien requis.

La garantie limitée décrite ci-dessous est offerte par Cub Cadet LLC pour de nouveaux produits achetés et utilisés aux États-Unis, et/ou ses possessions et ses territoires, et par MTL Products Limited pour de nouveaux produits achetés et utilisés au Canada et/ou ses territoires et ses possessions (l'une ou l'autre des entités respectivement, « Cub Cadet »).

Cub Cadet garantit ce produit (à l'exception de ses pièces à usure normale, tel que décrit ci-dessous) contre les défauts de matériel ou de fabrication pour une période de deux (2) ans à partir de la date d'achat initiale du produit au détail ou de la location, et s'engage à réparer ou à remplacer gratuitement, à son choix, toute pièce qui s'avère défectueuse en raison d'un vice de matière ou de fabrication. Les pièces à usure normale sont garanties contre tous vices de matériau et de fabrication pendant une période de trente (30) jours à partir de la date d'achat initiale du produit ou de la location. Ces pièces comprennent, sans toutefois s'y limiter, des articles comme : les courroies, les lames, les adaptateurs de lame, les sacs à herbe, les roues du plateau de coupe, les sièges et les pneus.

La présente garantie limitée est en vigueur uniquement si le produit a été utilisé et entretenu conformément aux directives du manuel du propriétaire fourni avec le produit et à condition que ce dernier n'a pas été soumis à un emploi incorrect ou abusif, une négligence, un accident, un entretien incorrect, une modification ni été l'objet de vandalisme, de vol, d'incendie ou encore, endommagé par l'eau à cause d'une catastrophe naturelle ou d'autres dangers. Les dommages provoqués par l'installation ou l'utilisation de pièce ou d'accessoire, dont l'utilisation avec le ou les produits décrits dans le présent manuel n'est pas homologuée par Cub Cadet, annuleront la présente garantie en regard de ces dommages. De plus, Cub Cadet peut refuser la garantie si l'horomètre, ou n'importe laquelle de ses parties, est altéré, modifié, débranché ou autrement falsifié.

MODALITÉS POUR RÉPARATIONS SOUS GARANTIE : L'atelier de réparations agréé de votre région vous offre le service de réparations sous garantie sur présentation DE LA PREUVE D'ACHAT ET DES DOSSIERS D'ENTRETIEN APPLICABLES. Pour trouver un concessionnaire dans votre région :

Aux États-Unis

Regardez dans les Pages jaunes ou communiquez avec Cub Cadet LLC à P.O. Box 361131, Cleveland, Ohio 44136-0019, composez le 1 877 282-8684 ou accédez à notre site Web à l'adresse www.cubcadet.com.

Au Canada, communiquez par la poste avec MTD Products Limited, Kitchener, ON N2G 4J1, ou par téléphone en composant le 1 800 668-1238 accédez à notre site Web à l'adresse www.mtdcanada.com.

Sans être limitée à ce qui précède, cette garantie limitée ne couvre pas les cas suivants :

- Les articles d'entretien courant tel que les lubrifiants, les filtres, l'aiguisage de lames, les révisions, les réglages des freins, de l'embrayage ou du plateau de coupe ainsi que la détérioration normale de la finition extérieure en raison de l'utilisation du produit ou de son exposition aux intempéries.
- Une réparation exécutée par une personne autre qu'à un atelier de réparations agréé.
- Cub Cadet ne prolonge aucune garantie pour des produits vendus ou exportés à l'extérieur des États-Unis ou au Canada, et leurs possessions et territoires sauf aux produits vendus par l'intermédiaire des canaux agréés de distribution à l'exportation de Cub Cadet.
- Les pièces et/ou accessoires de rechange qui ne sont pas des pièces authentiques de Cub Cadet.
- Les frais de transport et les visites de réparateurs.
- L'utilisation commerciale ou institutionnelle.

Il n'y a aucune garantie implicite y compris, sans toutefois s'y limiter, toute garantie implicite de qualité marchande ou de convenance précise pour un objectif particulier. Aucune garantie ne s'applique après les délais de la garantie expresse écrite ci-dessus quant aux pièces comme identifiées. Aucune autre garantie expresse à l'exception de la garantie stipulée ci-dessus, offerte par un tiers ou un autre organisme notamment un concessionnaire ou un détaillant, concernant n'importe quel produit, ne saurait astreindre Cub Cadet. Le recours unique offert est la réparation ou le remplacement du produit comme il est stipulé ci-dessus.

Les conditions stipulées dans la présente garantie constituent le recours unique et exclusif découlant de la vente ou de la location des produits couverts par cette garantie. Cub Cadet ne peut être tenue responsable pour toute perte ou tout dommage accidentel ou indirect y compris, sans toutefois s'y limiter, aux dépenses afférentes aux services substitués de soins de pelouse ou à la location pour remplacer temporairement un produit garanti.

Certaines juridictions n'autorisent pas l'exclusion ou la limitation des dommages accidentels ou indirects ou la limitation de la durée d'une garantie implicite. Il se pourrait alors que les exclusions ou limitations stipulées ne s'appliquent pas dans votre cas.

En aucune éventualité, la valeur du recouvrement ne saurait être supérieure à celle du prix d'achat du produit vendu. **Toute modification des fonctionnalités de sécurité du produit annulera la présente garantie.** Vous assumez les risques et la responsabilité des pertes, des dommages ou des préjudices subis par vous ou vos biens votre propriété ou par d'autres personnes et de leurs biens, qui découlent d'une utilisation inappropriée ou d'une incapacité d'utiliser le produit.

La présente garantie limitée n'est valable que pour l'acheteur original, ou la personne ayant reçu le produit en cadeau, et ne peut être transférée.

LOIS LOCALES EN LIEN AVEC LA PRÉSENTE GARANTIE : La présente garantie limitée vous donne des droits spécifiques. Il se pourrait que vous ayez d'autres droits qui varient selon les ordres de juridiction.

CUB CADET LLC, P.O. BOX 361131 CLEVELAND, OHIO 44136-0019, Téléphone : 1 877 282-8684
MTD Products Limited, Kitchener, ON N2G 4J1, Téléphone : 1 800 668-1238