

# GENESIS II

E-315 • CSE-315 • CSS-315



## Download the Weber Grills App!

Onboard with the free Weber Grills App. The Weber app is your answer to everything grilling and will lead you through everything from gas tank installation to your first grill out. Customize the app to your exact model, and taste, by registering your grill with a few simple questions.

- Grill setup and gas tank installation
- Recipes for any taste
- Grilling techniques and guides
- Seasonal menus/recipes
- Timers and tools



Keep this Owner's Manual for future reference, thoroughly read through it, and if you have any questions please contact us today.

**54148**

062218  
enUS / esMX / frCA

# Important Safety Information

**DANGER, WARNING, and CAUTION** statements are used throughout this Owner's Manual to emphasize critical and important information. Read and follow these statements to help ensure safety and prevent property damage. The statements are defined below.

- ⚠ **DANGER:** Indicates a hazardous situation which, if not avoided, *will result in death or serious injury.*
- ⚠ **WARNING:** Indicates a hazardous situation which, if not avoided, *could result in death or serious injury.*
- ⚠ **CAUTION:** Indicates a hazardous situation which, if not avoided, *could result in minor or moderate injury.*

**⚠ DANGER**

**If you smell gas:**

- Shut off gas to the appliance (grill).
- Extinguish any open flame.
- Open lid.
- If odor continues, keep away from the appliance (grill) and immediately call your gas supplier or your fire department.

**⚠ WARNING**

- Do not store or use gasoline or other flammable liquids or vapors in the vicinity of this (grill) or any other appliance.
- An LP cylinder (tank) not connected for use shall not be stored in the vicinity of this (grill) or any other appliance.

**USE OUTDOORS ONLY.**

**READ THE INSTRUCTIONS BEFORE USING THE APPLIANCE (GRILL).**

**NOTICE TO INSTALLER:** These instructions must be left with the consumer.

**NOTICE TO CONSUMER:** Retain these instructions for future reference.

## Installation and Assembly

- ⚠ **DANGER:** This grill is not intended to be installed in or on recreational vehicles or boats.
- ⚠ **WARNING:** Do not use this grill unless all parts are in place and the grill was properly assembled according to the assembly instructions.
- ⚠ **WARNING:** Do not build this model of grill in any built-in or slide-in construction.
- ⚠ **WARNING:** Do not modify the appliance (grill). Liquid propane gas is not natural gas. The conversion or attempted use of natural gas in a liquid propane gas unit or liquid propane gas in a natural gas unit is unsafe and will void your warranty.
- ⚠ **WARNING:** Do not route the ten-foot hose under a deck. The hose must be visible.
- **WE RECOMMEND THAT THE INSTALLATION OF THIS NATURAL GAS GRILL BE PERFORMED BY A PROFESSIONAL.**
- Confirm that the branch supply line from the house to the grill is properly installed before using the grill.
- In the United States, installation must conform with local codes or, in the absence of local codes, with either the National Fuel Gas Code, ANSI Z223.1/NFPA 54, Natural Gas and Propane Installation Code, CSA B149.1; or Propane Storage and Handling Code, B149.2; or the Standard for Recreational Vehicles, ANSI A119.2/NFPA 1192, and CSA Z240 RV Series, Recreational Vehicle Code, as applicable.
- In Canada, the installation of this grill must comply with local codes and/or the latest edition of Standard CAN/CSA-B149.2 (Propane Storage and Handling Code). These instructions, while generally acceptable, do not necessarily comply with the Canadian installation codes, particularly with piping above and below ground.
- In Mexico, if there are local codes that apply to portable gas appliances, you must comply with the latest edition of Official Mexican Standard (NOM).
- If an external electrical source is utilized (such as a rotisserie) it must be electrically grounded in accordance with local codes or, in the absence of local codes, with the National Electrical Code, ANSI/NFPA 70, or the Canadian Electrical Code, Part 1, CSA C22.1.

## Operation

- ⚠ **DANGER:** Only use the grill outdoors in a well-ventilated area. Do not use in a garage, building, breezeway, tent, any other enclosed area, or beneath overhead combustible construction.
- ⚠ **DANGER:** Do not use the grill in any vehicle or in any storage or cargo area of any vehicle. This includes, but is not limited to, cars, trucks, station wagons, mini-vans, sport utility vehicles, recreational vehicles, and boats.
- ⚠ **DANGER:** Do not use the grill within 24 inches (61 cm) of combustible materials. This includes the top, bottom, back and sides of the grill.
- ⚠ **DANGER:** Keep the cooking area clear of flammable vapors and liquids such as gasoline, alcohol, etc., and combustible materials.
- ⚠ **DANGER:** This appliance (grill) must be kept away from flammable materials during use.
- ⚠ **DANGER:** Do not put a grill cover or anything flammable on, or in the storage area under the grill while it is in operation or is hot.
- ⚠ **DANGER:** Should a grease fire occur, turn off all burners and leave lid closed until fire is out.
- ⚠ **WARNING:** Accessible parts may be very hot. Keep young children away.
- ⚠ **WARNING:** The use of alcohol, prescription drugs, non-prescription drugs, or illegal drugs may impair the consumer's ability to properly and safely assemble, move, store, or operate the grill.
- ⚠ **WARNING:** Never leave the grill unattended during pre-heating or use. Exercise caution when using this grill. The entire cookbox gets hot when in use.
- ⚠ **WARNING:** Do not move the appliance (grill) during use.

- ⚠ **WARNING:** Keep any electrical supply cord and the fuel supply hose away from any heated surfaces.
- ⚠ **CAUTION:** This product has been safety-tested and is only certified for use in a specific country. Refer to country designation located on outside of box.
- Do not use charcoal or lava rock in the grill.
- This natural gas grill is factory built to operate using natural gas only. Never attempt to operate your grill on gases other than the type specified on the grill rating plates.

## Storage and/or Nonuse

- ⚠ **WARNING:** Turn off the gas at the natural gas supply valve when the grill is not in use.
- ⚠ **WARNING:** After a period of storage and/or nonuse, the grill should be checked for gas leaks and burner obstructions before use.
- Storage of the grill indoors is permissible only if the grill is disconnected from the gas supply.

## California Proposition 65

- ⚠ **WARNING:** Combustion byproducts produced when using this product contain chemicals known to the state of California to cause cancer, birth defects, or other reproductive harm.
- ⚠ **PROPOSITION 65 WARNING:** Handling the brass material on this product exposes you to lead, a chemical known to the state of California to cause cancer, birth defects, or other reproductive harm. *Wash hands after handling this product.*



# Hello and welcome to the Weber Family!

Please be sure to read this Owner's Manual and download the free Weber Grills app so that you're up and grilling as quickly as possible. The Weber Grills app is your answer to everything grilling. From gas tank installation to recipes and customizable features, this app is where you'll start your grilling journey and never look back.

Thank you for choosing Weber!

## TABLE OF CONTENTS

2	Welcome to Weber Important Safety Information
4	The Weber Promise Warranty
5	Product Features GENESIS II Features The GS4 Grilling System
6	Tips and Hints The Flame - Direct or Indirect Grilling Do's and Don'ts
8	Getting Started Important Information about Natural Gas & Gas Connections Hose Connection & Leak Checking
12	Operation The Very First Time You Grill Every Time You Grill Igniting the Grill
14	Product Care Cleaning and Maintenance
16	Troubleshooting
18	Grilling Guide
55	Replacement Parts



# The WEBER Promise

At WEBER, we pride ourselves on two things: making grills that last and providing a lifetime of excellent customer service.

## Warranty

Thank you for purchasing a WEBER product. Weber-Stephen Products LLC, 1415 S. Roselle Road, Palatine, Illinois 60067 and its Americas Business units ("WEBER") pride ourselves on delivering a safe, durable, and reliable product.

This is WEBER's Voluntary Warranty provided to you at no extra charge. It contains the information you will need to have your WEBER product repaired or replaced in the unlikely event of a failure or defect.

**Pursuant to applicable laws, the Owner has several rights in case the product is defective. Those rights include supplementary performance or replacement, abatement of the purchasing price, and compensation. These and other statutory rights remain unaffected by this Warranty provision. In fact, this Warranty grants additional rights to the Owner that are independent from statutory Warranty provisions.**

## WEBER's Voluntary Warranty

WEBER warrants, to the purchaser of the WEBER product (or in the case of a gift or promotional situation, the person for whom it was purchased as a gift or promotional item) ("Owner"), that the WEBER product is free from defects in material and workmanship for ten (10) years from the date of purchase when assembled and operated in accordance with the accompanying Owner's Manual, normal wear and tear excluded. (Note: If you lose or misplace your WEBER Owner's Manual, a replacement is available online at [www.weber.com](http://www.weber.com).) WEBER agrees within the framework of this warranty to repair or replace the part that is defective in material or workmanship subject to the limitations, and exclusions listed below. TO THE EXTENT ALLOWABLE BY APPLICABLE LAW, THIS WARRANTY IS EXTENDED ONLY TO THE ORIGINAL PURCHASER AND IS NOT TRANSFERABLE TO SUBSEQUENT OWNERS, EXCEPT IN THE CASE OF GIFTS AND PROMOTIONAL ITEMS AS NOTED ABOVE.

WEBER stands by its products and is happy to provide you with the Warranty described for material defects in the grill or its relevant components, normal wear and tear excepted.

- 'Normal wear and tear' includes cosmetic and other immaterial deterioration that may come with ownership of your grill over time, such as surface rust, dents / scratches, etc.

However, WEBER will honor this Warranty for the grill or its relevant components where damage or dysfunction results from a material defect.

- 'Material defect' includes rust through or burn through of certain parts, or other damage or failure inhibiting your ability to safely / properly use your grill.

## Owner's Responsibilities Under this Warranty / Exclusion of Warranty

To ensure trouble-free Warranty coverage, it is important (but not required) that you register your WEBER product online at [www.weber.com](http://www.weber.com). Please also retain your original sales receipt and/or invoice. Registering your WEBER product confirms your warranty coverage, will expedite any Warranty claims you may need to make, and provides a direct link between you and WEBER in case we need to contact you. If you have not had time to register your grill before calling for Warranty service, please have the following information available when you do call: Name – Address – Phone Number – Email – Serial Number – Purchase Date – Purchase Dealer – Model – Color – Primary Issue

The above warranty only applies if the Owner takes reasonable care of the WEBER product by following all assembly instructions, usage instructions, and preventative maintenance as outlined in the accompanying Owner's Manual, unless the Owner can prove that the defect or failure is independent of non-compliance with the above mentioned obligations. If you live in a coastal area, or have your product located near a pool, maintenance includes regular washing and rinsing of the exterior surfaces as outlined in the accompanying Owner's Manual.

This WARRANTY lapses if there are damages, deteriorations, discolorations, and/or rust for which WEBER is not responsible caused by:

- Abuse, misuse, alteration, modification, misapplication, vandalism, neglect, improper assembly or installation, and failure to properly perform normal and routine maintenance;
- Insects (such as spiders) and rodents (such as squirrels), including but not limited to damage to burners and/or gas hoses;
- Exposure to salt air and/or chlorine sources such as swimming pools and hot tubs/spas;
- Severe weather conditions such as hail, hurricanes, earthquakes, tsunamis or surges, tornadoes or severe storms.
- Acid rain and other environmental factors

The use and/or installation of parts on your WEBER product that are not genuine WEBER parts will void this Warranty, and any damages that result hereby are not covered by this Warranty. Any conversion of a gas grill not authorized by WEBER and performed by a WEBER authorized service technician will void this Warranty.

## Warranty Processing

If you believe that you have a part which is covered by this Warranty, please contact WEBER Customer Service using the contact information on our website ([www.weber.com](http://www.weber.com)). WEBER will, upon investigation, repair or replace (at its option) a defective part that is covered by this Warranty. In the event that repair or replacement are not possible, WEBER may choose (at its option) to replace the grill in question with a new grill of equal or greater value. WEBER may ask you to return parts for inspection, shipping charges to be pre-paid by Owner.

When you contact Customer Service, please have the following information available:  
Name – Address – Phone Number – Email – Serial Number – Purchase Date – Purchase Dealer – Model – Color – Primary Issue

## Disclaimers

APART FROM THE WARRANTY AND DISCLAIMERS AS DESCRIBED IN THIS WARRANTY STATEMENT, THERE ARE EXPLICITLY NO FURTHER WARRANTY OR VOLUNTARY DECLARATIONS OF LIABILITY GIVEN HERE WHICH GO BEYOND THE STATUTORY LIABILITY APPLYING TO WEBER. THE PRESENT WARRANTY STATEMENT ALSO DOES NOT LIMIT OR EXCLUDE SITUATIONS OR CLAIMS WHERE WEBER HAS MANDATORY LIABILITY AS PRESCRIBED BY STATUTE.

NO WARRANTIES SHALL APPLY AFTER THE TEN (10) YEAR PERIOD OF THIS WARRANTY. NO OTHER WARRANTIES GIVEN BY ANY PERSON, INCLUDING A DEALER OR RETAILER, WITH RESPECT TO ANY PRODUCT (SUCH AS ANY "EXTENDED WARRANTIES"), SHALL BIND WEBER. THE EXCLUSIVE REMEDY OF THIS WARRANTY IS REPAIR OR REPLACEMENT OF THE PART OR PRODUCT.

IN NO EVENT UNDER THIS VOLUNTARY WARRANTY SHALL RECOVERY OF ANY KIND BE GREATER THAN THE AMOUNT OF THE PURCHASE PRICE OF THE WEBER PRODUCT SOLD.

YOU ASSUME THE RISK AND LIABILITY FOR LOSS, DAMAGE, OR INJURY TO YOU AND YOUR PROPERTY AND/OR TO OTHERS AND THEIR PROPERTY ARISING OUT OF THE MISUSE OR ABUSE OF THE PRODUCT OR FAILURE TO FOLLOW INSTRUCTIONS PROVIDED BY WEBER IN THE ACCOMPANYING OWNER'S MANUAL.

PARTS AND ACCESSORIES REPLACED UNDER THIS WARRANTY ARE WARRANTED ONLY FOR THE BALANCE OF THE ABOVE MENTIONED ORIGINAL TEN (10) YEAR WARRANTY PERIOD.

THIS WARRANTY APPLIES TO PRIVATE SINGLE FAMILY HOME OR APARTMENT USE ONLY AND DOES NOT APPLY TO WEBER GRILLS USED IN COMMERCIAL, COMMUNAL OR MULTI-UNIT SETTINGS SUCH AS RESTAURANTS, HOTELS, RESORTS, OR RENTAL PROPERTIES.

WEBER MAY FROM TIME TO TIME CHANGE THE DESIGN OF ITS PRODUCTS. NOTHING CONTAINED IN THIS WARRANTY SHALL BE CONSTRUED AS OBLIGATING WEBER TO INCORPORATE SUCH DESIGN CHANGES INTO PREVIOUSLY MANUFACTURED PRODUCTS, NOR SHALL SUCH CHANGES BE CONSTRUED AS AN ADMISSION THAT PREVIOUS DESIGNS WERE DEFECTIVE.

**Weber-Stephen Products LLC  
Customer Service Center**  
1415 S. Roselle Road  
Palatine, IL 60067  
U.S.A.

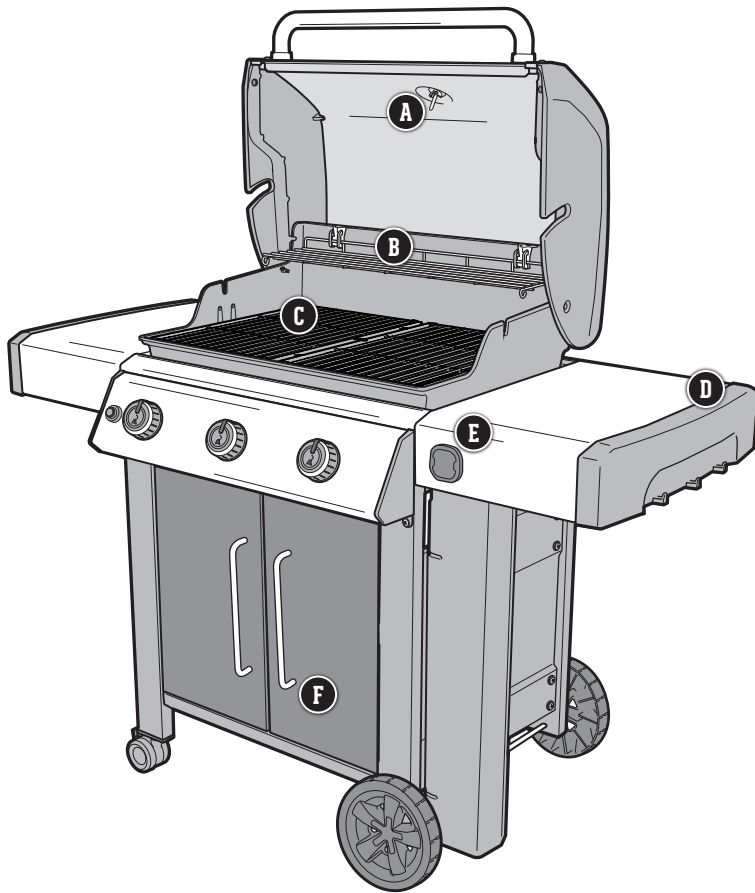
**For replacement parts, call:**  
1-800-446-1071



**PROTECT  
YOUR  
INVESTMENT**

Shield your grill from the elements with a heavy-duty premium grill cover.

# GENESIS II FEATURES



## A Built-In Thermometer

Being aware of the temperature inside of your grill allows you to adjust the heat when needed.

## B TUCK-AWAY Warming Rack

Keeps food warm, or toasts buns, while the main course finishes grilling on the grate. Fold it down when not in use for easy storage.

## C Porcelain-Enameled, Cast Iron Cooking Grates

Porcelain-enameled, cast-iron cooking grates provide even heat distribution across the entire grilling surface and superior heat retention. (CSE-315, CSS-315 equipped with stainless steel grates.)

## D Side Tables with Integrated Tool Hooks

Use the side tables to keep platters, seasonings, and tools within arm's reach. Hang your essential grilling tools on the hooks for easy access and organization of your backyard workspace.

## E iGRILL 3 Compatible

The iGrill 3 app-connected thermometer monitors food from beginning to end, displaying the real-time temperature on your mobile device. (Accessory sold separately.)

## F Grill Cabinet

The grill cabinet adds enclosed storage space for all of your essential grilling tools and accessories.

# GS4 HIGH PERFORMANCE GRILLING SYSTEM



The GS4 high performance grilling system sets the standard in the world of gas grilling, and lands Weber in a class of its own. This powerful grilling system is based on over 65 years of grilling experience, culinary expertise, and most importantly, the wants and needs of the people who matter most – our grilling community. Each component of GS4 was uniquely designed for ease-of-use and to provide an unequalled satisfaction to your backyard grilling experience.

## 1 INFINITY Ignition



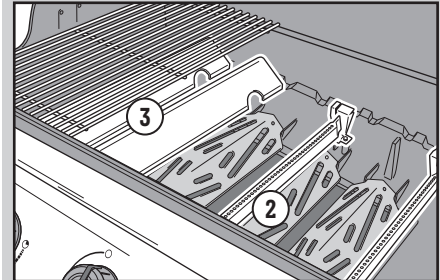
The Infinity Ignition is guaranteed to ignite. Rest assured that you'll be up-and-grilling the first time, every time.

## 2 Burners

The unique, tapered shape delivers a consistent gas flow from front to back. This provides ultimate heat distribution, ensuring that food grills evenly and consistently anywhere on the cooking grates.

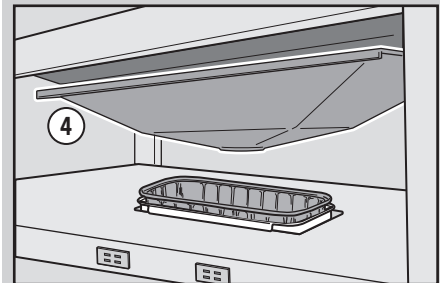
## 3 FLAVORIZER BARS

Stainless Steel FLAVORIZER BARS are angled just right to catch drippings that smoke and sizzle, adding that irresistible smoky flavor that we all know and love to your food.

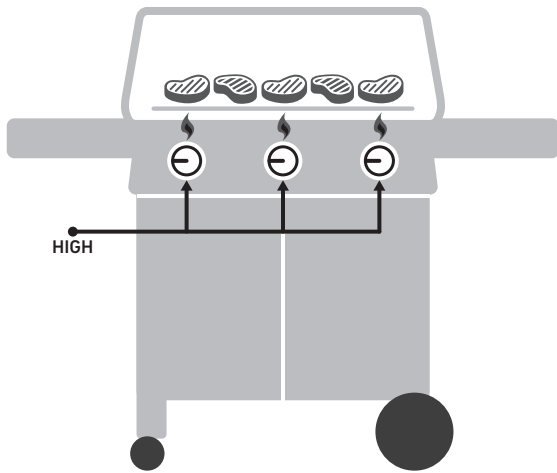


## 4 Grease Management System

Drippings that are not vaporized by the FLAVORIZER BARS are funneled away from the burners into the disposable drip tray, located within the removable catch pan under the cookbox. Simply remove the catch pan and replace the drip tray as needed.



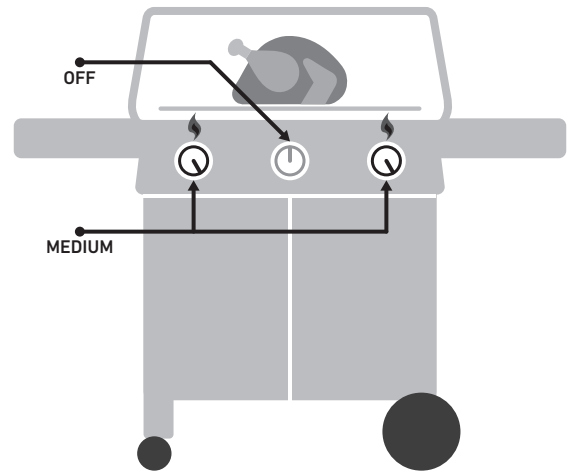
# The Flame - Direct or Indirect



## DIRECT HEAT SETUP

Use the direct method for small, tender pieces of food that take less than 20 minutes to cook, such as: hamburgers, steaks, chops, kabobs, boneless chicken pieces, fish fillets, shellfish, and sliced vegetables.

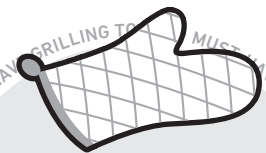
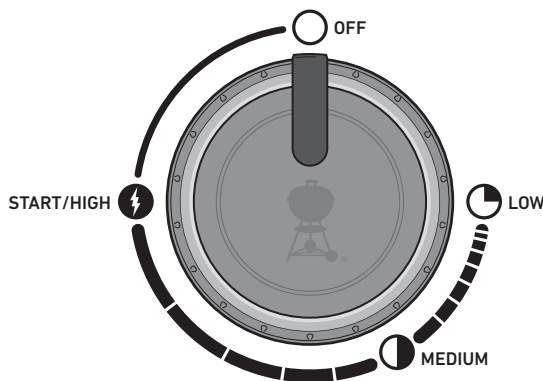
With direct heat, the fire is right below the food. It sears the surfaces of the food, developing flavors, texture, and delicious caramelization while cooking the food all the way to the center.



## INDIRECT HEAT SETUP

Use the indirect method for larger cuts of meat that require 20 minutes or more of grilling time, or for foods so delicate that direct exposure to the heat would dry them out or scorch them, such as: roasts, bone-in poultry pieces, whole fish, delicate fish fillets, whole chickens, turkeys, and ribs. Indirect heat can also be used for finishing thicker foods or bone-in cuts that have been seared or browned first over direct heat.

With indirect heat, the heat is on both sides of the grill, or off to one side of the grill. The food sits over the unlit part on the cooking grate.



## BARBECUE MITTS

When in doubt, wear them. The good ones are insulated and protect both hand and forearm.



## TIMER

Avoid the disappointment of torching your dinner by simply setting a timer. Nothing fancy needed—just one that is reliable and easy to use.

# Grilling Do's and Don'ts

## Preheat each and every time.

If the cooking grates aren't hot enough, food will stick, and you will likely never have a chance of searing properly or developing those handsome grill marks. Even if a recipe calls for medium or low heat, always preheat the grill on the highest setting first. Open the lid, turn up the heat, close the lid, and then let the cooking grate heat up for about ten minutes or until the lid thermometer reads 500° F (260° C).

## Don't grill on dirty grates.

Tossing food onto the cooking grates before they have been cleaned is never a good idea. Leftover "stuff" on the grates acts like glue, binding it to the grates and your new food. To avoid tasting last night's dinner on today's lunch, make sure you are grilling on a clean cooking grate. Once the grates are preheated, use a stainless steel bristle grill brush to make a clean, smooth surface.

## Be present in the process.

Before firing up your grill, make sure that everything you need is within arm's reach. Don't forget your essential grilling tools, already oiled and seasoned food, glazes or sauces, and clean cooking platters for cooked food. Having to run back to your kitchen not only means missing out on the fun, but could also result in burning your food. French chefs call this "mise en place" (meaning, "put in place"). We call it "being present".

## Create a little elbow room.

Packing too much food onto the cooking grates restricts your flexibility. Leave at least one-quarter of the cooking grates clear, with plenty of space between each food item, in order to get your tongs in there and easily move the food around. Sometimes grilling involves split-second decisions and the ability to jockey food from one area to another. So give yourself enough room to operate.

## Try not to peek.

The lid on your grill is for more than just keeping the rain out. Most importantly, it's for preventing too much air from getting in, and too much heat and smoke from getting out. When the lid is closed, the cooking grates are hotter, the grilling times are faster, the smoky tastes are stronger, and the flare-ups are fewer. So put a lid on it!

## Only flip once.

What's better than a juicy steak with a deep sear and plenty of beautifully caramelized bits? The key to accomplishing these results is to keep your food in place. Sometimes we have the tendency to flip our food before it reaches the desirable level of color and flavor. In nearly all cases, you should turn food just once. If fiddling with it more than that, you are probably also opening the lid too much, which causes its own set of problems. So step back and trust the grill.

## Know when to tame the flame.

When grilling, sometimes the most important thing to know is when to stop. The most reliable way to test doneness of your food is to invest in an instant-read thermometer. This slim little gem will help you pinpoint that critical moment when your food is at its best.

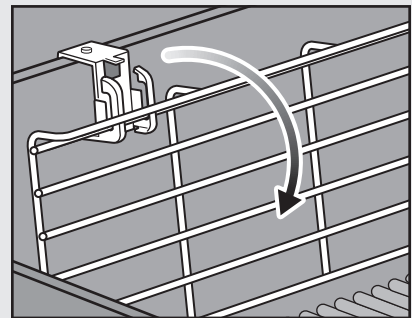
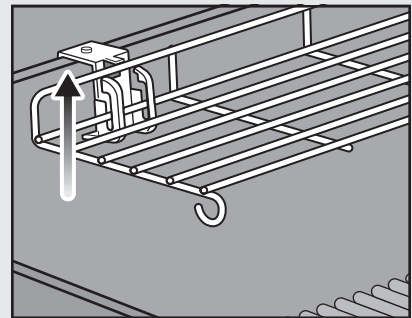
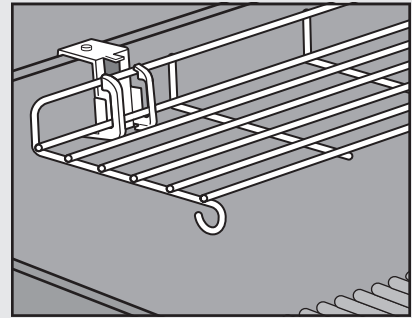
## Don't be afraid to experiment.

Back in the 1950s, grilling meant one thing: meat (and only meat) charred over open flames. The modern day backyard chef doesn't need a kitchen in order to prepare a full course meal. Use your grill to make char-grilled appetizers, sides, and even desserts. Register your grill to receive special content that will inspire you along the way. We'd love to join you on your grilling adventures.

# Optimize Grill Space

## Using the TUCK-AWAY Warming Rack

Use the warming rack up to keep food warm or fold it down when not in use. To fold the warming rack down, lift rack slightly and rotate downward. Use heat-resistant mitts or gloves when adjusting rack.



## Important Information about Natural Gas & Gas Connections

### What is Natural Gas?

Natural gas (NG) is a combustible, gaseous mixture of simple hydrocarbon compounds, usually found in deep underground reservoirs formed by porous rock. It is a fossil fuel composed almost entirely of methane. Natural gas is delivered by your local utility through an underground pipeline system.

### General Specifications

- Three burner grills are designed to operate at 7" of water column pressure (0.2526 psi).
- Four burner grills are designed to operate at 4.5" of water column pressure (0.16245 psi).
- The quick-disconnect fitting can be installed horizontally or pointing downward, but never pointing upward. Installing it with the open end pointing upward can result in water and debris collecting in the quick-disconnect fitting.
- The dust covers (plastic plugs supplied with your grill) help keep the open ends of the quick-disconnect fitting clean while disconnected.

### Hose Requirements

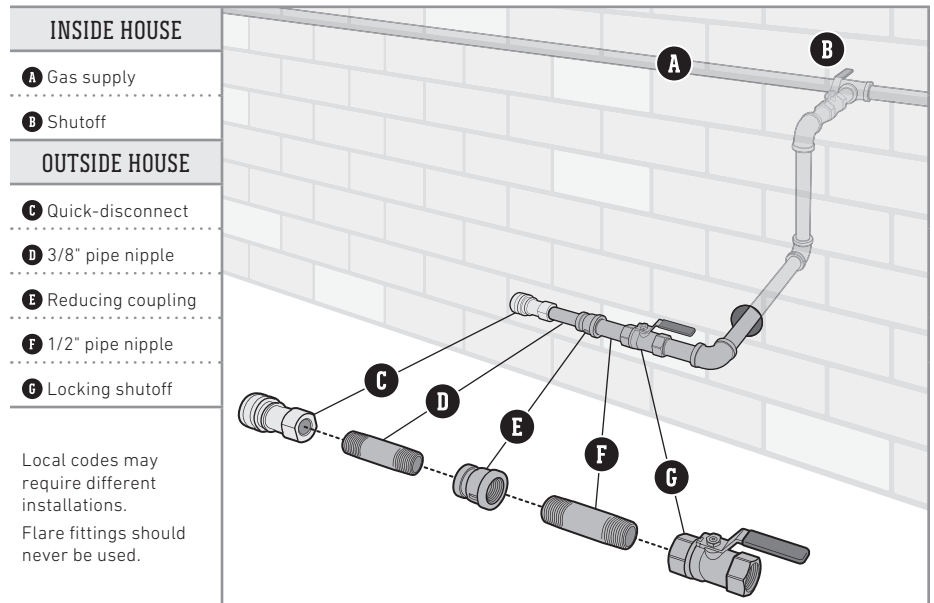
- The grill is equipped with a model specific hose that was attached during the manufacturing process. This specific hose must be used for proper performance.
- If the hose becomes worn or damaged, contact the Customer Service Representative in your area using the contact information on our website.

### Pressure Testing the Gas Supply

- Disconnect the gas grill when the gas supply is being tested at high pressures. This appliance and its individual shutoff valve must be disconnected from the gas supply piping system during any pressure testing of that system at test pressures in excess of 1/2 psig (3.5 kPa).
- Turn off the gas grill when the gas supply is being tested at low pressures. This appliance must be isolated from the gas supply piping system by closing its individual manual shutoff valve during any pressure testing of the gas supply piping system at test pressures equal to or less than 1/2 psig (3.5 kPa).

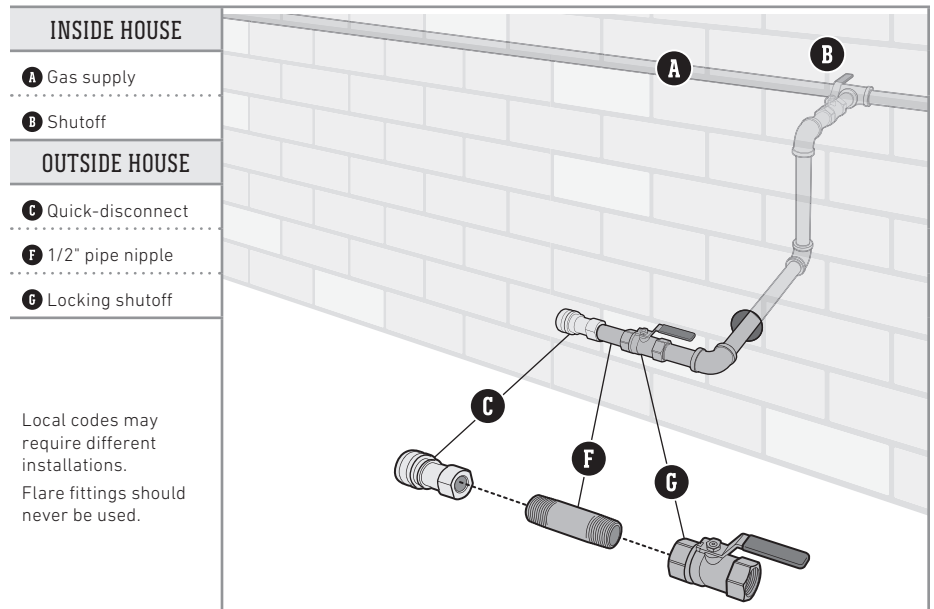
## Typical NG Grill Pipe Installation

310 • 315 • 325 • 330 • 335 Models



## Typical NG Grill Pipe Installation

410 • 415 • 430 • 435 Models




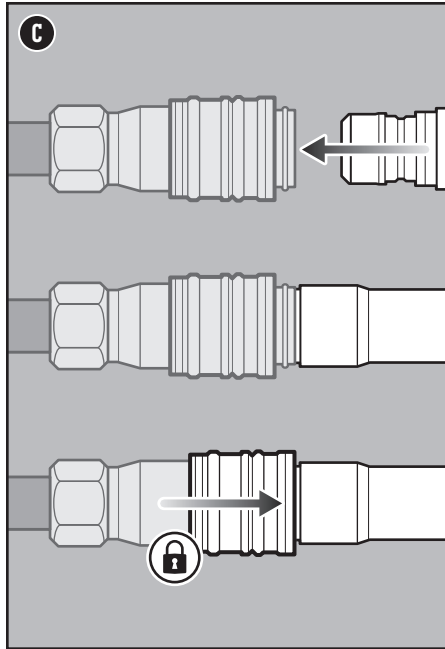
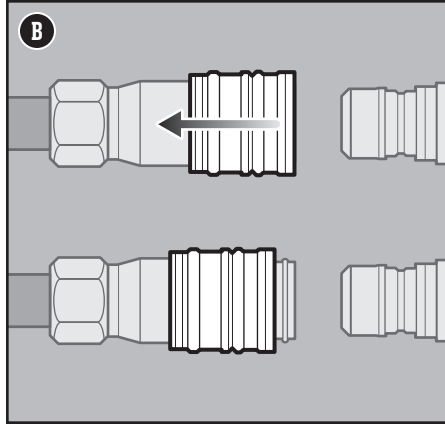
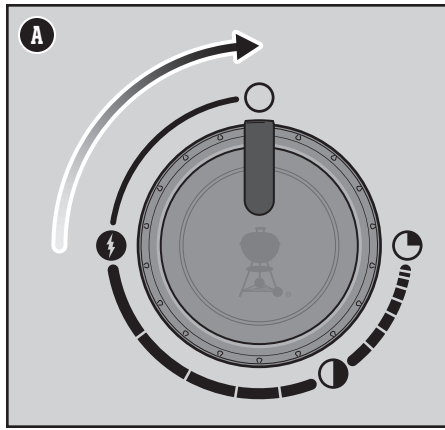


## Hose Connection & Leak Checking

### Connect the Hose to the Gas Supply

A quick-disconnect fitting connects your grill to the gas supply. Gas will not flow unless the quick-disconnect is properly engaged.

- 1) Check that all burner control knobs are in the off  position. Check by pushing in and turning knobs clockwise (A).
- 2) Slide the collar of the quick-disconnect back (B).
- 3) Push male fitting of the hose into the quick-disconnect and maintain pressure. Slide the collar closed (C). If it does not engage or lock, repeat procedure. Proceed to "CHECKING FOR GAS LEAKS".



## What is a Leak Check?

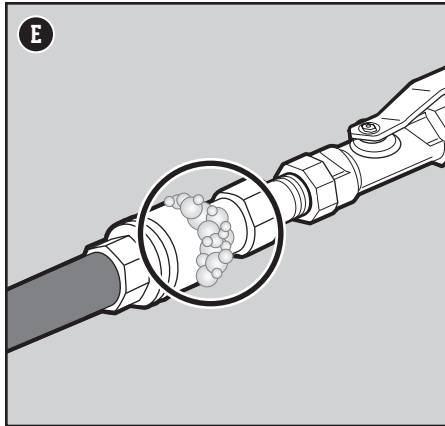
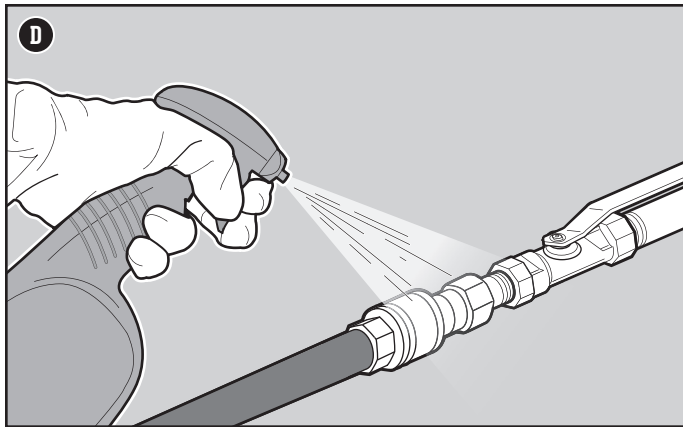
Once the hose is properly connected, it is necessary to perform a leak check. A leak check is a reliable way to verify that gas is not escaping after you connect the hose to the gas supply. The fuel system in your grill features factory-made connections that have been thoroughly checked for gas leaks and the burners have been flame-tested.

WEBER recommends performing a thorough leak check after assembly, as well as annually. The following fittings should be tested:

- Where the gas hose connects to the source.
- Where the gas hose connects to the bulkhead.
- Where the bulkhead connects to the corrugated gas line.

## Checking for Gas Leaks

- 1) Wet fittings **(D)** with a soap and water solution, using a spray bottle, brush or rag. You can make your own soap and water solution by mixing 20% liquid soap with 80% water; or, you can purchase leak check solution in the plumbing section of any hardware store.
- 2) Turn the gas supply valve on.
- 3) If bubbles appear there is a leak:
  - a) If the leak is at the gas source **(E)**. Turn off the gas. **DO NOT OPERATE THE GRILL.**



⚠ **DANGER:** Do not use a flame to check for gas leaks. Be sure there are no sparks or open flames in the area while you check for leaks.

⚠ **DANGER:** Leaking gas may cause a fire or explosion.

⚠ **DANGER:** Do not operate the grill if there is a gas leak present.

- b) If the leak is at any fittings indicated in illustration (F), re-tighten fitting with a wrench and recheck for leaks with soap and water solution. If leak persists, turn off the gas. DO NOT OPERATE THE GRILL.
- c) If the leak is at any fittings indicated in illustration (G), turn off the gas. DO NOT OPERATE THE GRILL.

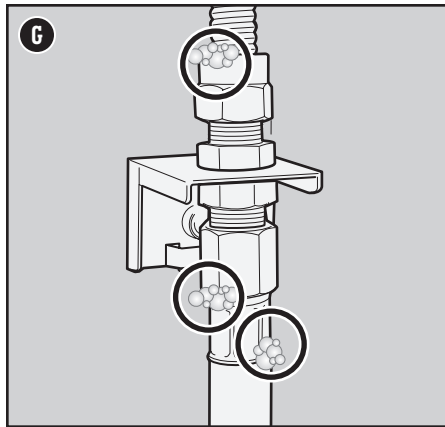
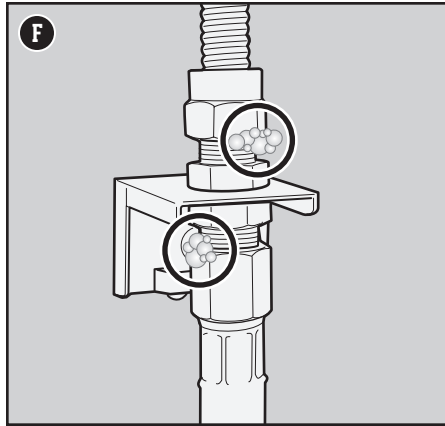
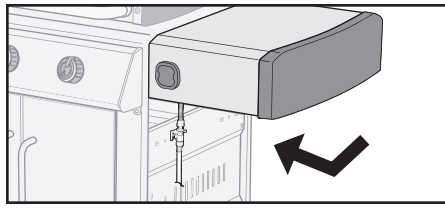
If a leak is present, contact the Customer Service Representative in your area using the contact information on our website.

- 4) If bubbles do not appear, leak checking is complete. Turn gas supply valve off and rinse connections with water.

*NOTE: Since some leak test solutions, including soap and water, may be slightly corrosive, all connections should be rinsed with water after checking for leaks.*

### Disconnect the Hose from the Gas Supply

- 1) Slide the collar back and pull out the plug. This automatically shuts off the gas.



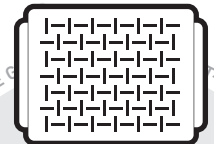
## TONGS

Consider these to be an extension of your hand. The best tongs should have an effortless tension mechanism, comfortable hand grips, and a lock to keep them compact.



## BRUSH AND MOP

Look for a basting brush with heat-resistant silicone bristles and a long handle, and a mop with long, cotton threads that sop up the thinner, vinegar-based sauces.



## GRILLING PAN

Designed for food that is either too small or too delicate for the cooking grates, a perforated grilling pan keeps food right where it ought to be—on the grill, not in it.

## The Very First Time You Grill

### Perform an Initial Burn-Off

Heat the grill on the highest setting, with the lid closed, for at least 20 minutes prior to grilling for the first time.

## Every Time You Grill

### Meal-to-Meal Maintenance

The Meal-To-Meal Maintenance plan includes the following simple, yet important, steps that should always be performed prior to grilling.

### Check for Grease

Your grill was built with a grease management system that funnels grease away from food and into a disposable container. As you cook, grease is channeled down the slide-out grease tray and into a disposable drip tray that lines the catch pan. This system should be cleaned each and every time you grill to prevent fires.

1. Confirm that the grill is off and cool.
2. Remove the slide-out grease tray by pulling the tray out of the cabinet (A). Remove excess grease with a plastic scraper.
3. Remove the catch pan (B). Check for excessive amounts of grease in the disposable drip pan that lines the catch pan. Discard disposable drip pan when necessary and replace with a new one.
4. Reinstall all components.

### Inspect the Hose

Routine inspection of the hose is necessary.

1. Confirm that the grill is off and cool.
2. Check hose for any signs of cracking, abrasions, or cuts (C). If the hose is found to be damaged in any way, do not use the grill.

### Preheat the Grill

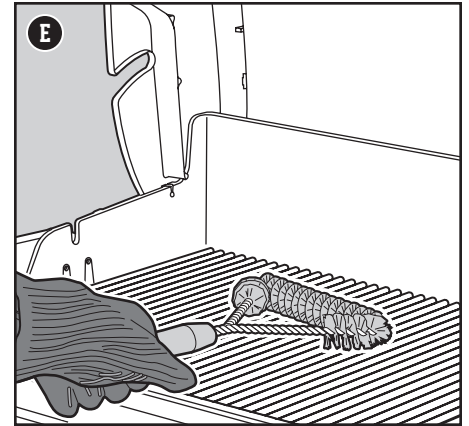
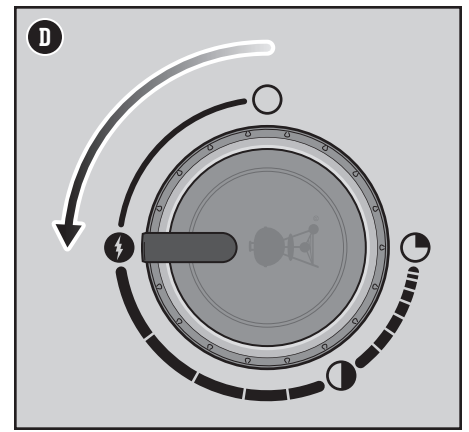
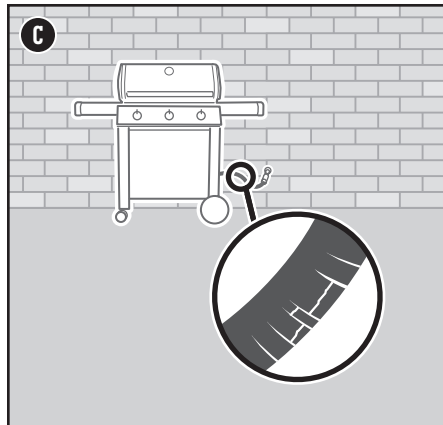
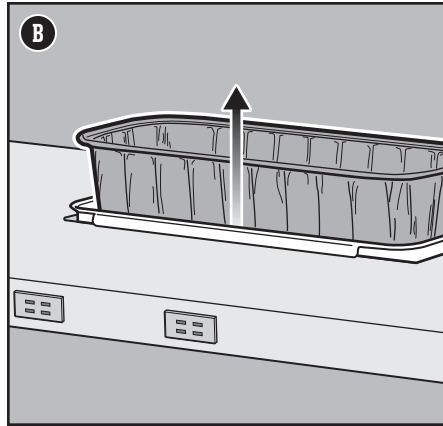
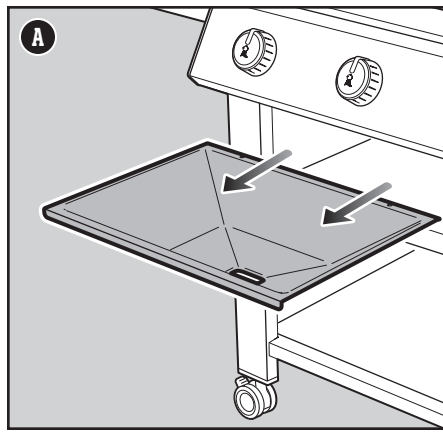
Preheating the grill is critical to successful grilling. Preheating helps to prevent food from sticking to the grate and gets the grate hot enough to sear properly. It also burns off residue of a previously cooked meal.

1. Open the grill lid.
2. Ignite your grill according to the ignition instructions in this Owner's Manual.
3. Close lid.
4. Preheat the grill with all burners on the start/high position for 10 to 15 minutes or until thermometer registers 500° F (260° C) (D).

### Clean the Cooking Grate

After preheating, any bits of food or debris left over from previous use will be easier to remove. Cleaned grates will also prevent your next meal from sticking.

1. Brush the grates with a stainless steel bristle grill brush immediately after preheating (E).



⚠ **DANGER:** Do not line the slide-out grease tray or cookbox with aluminum foil.

⚠ **DANGER:** Check the slide-out grease tray and catch pan for grease build-up before each use. Remove excess grease to avoid a grease fire.

⚠ **WARNING:** Use heat-resistant barbecue mitts or gloves when operating grill.

⚠ **WARNING:** Grill brushes should be checked for loose bristles and excessive wear on a regular basis. Replace brush if any loose bristles are found on cooking grates or brush. WEBER recommends purchasing a new stainless steel bristle grill brush at the beginning of every spring.

⚠ **WARNING:** If the hose is found to be damaged in any way, do not use the grill. Replace using only WEBER authorized replacement hose.

⚠ **WARNING:** Keep ventilation openings around tank clear and free of debris.

## Igniting the Grill

### Using the Electronic Ignition System to Ignite the Grill

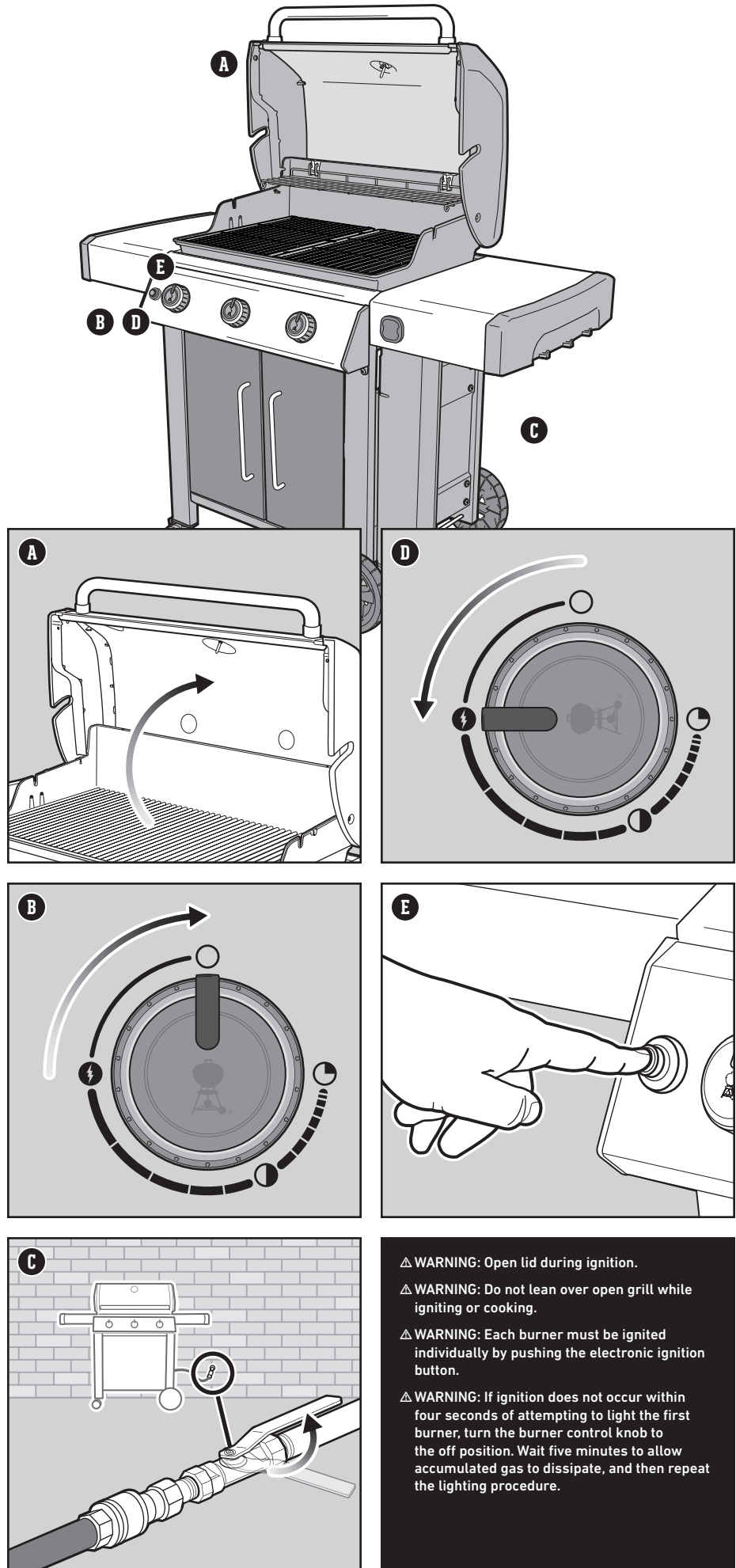
Each control knob operates an individual burner, and each burner ignites independently. Ignite the burners starting from left to right. All burners should be lit for preheating, however, all burners do not have to be lit while grilling.

- 1) Open the grill lid (A).
- 2) Check that all burner control knobs are in the off  $\circ$  position. Check by pushing in and turning knobs clockwise (B).
- 3) Turn the gas supply valve on (C).
- 4) Begin with the burner furthest to the left. Push the burner control knob in and turn it counterclockwise to the start/high  $\text{⚡}$  position (D).
- 5) Push and hold the electronic ignition button (E). You will hear it ticking.
- 6) Check that the burner is lit by looking through the cooking grates and through the half-circle cutout in the FLAVORIZER BARS.
- 7) If the burner does not ignite, turn burner control knob to the off  $\circ$  position and wait five minutes to allow the gas to clear before attempting to light the burner again.
- 8) If the burner ignites, repeat steps 4 through 6 to light the remaining burners.

Should the burners fail to ignite using the electronic ignition, refer to the TROUBLESHOOTING section. There you will find instructions on igniting the grill with a match to help determine the exact problem.

### To Extinguish Burners

- 1) Push each burner control knob in and then turn clockwise all the way to the off  $\circ$  position.
- 2) Turn gas supply valve off.



⚠ WARNING: Open lid during ignition.

⚠ WARNING: Do not lean over open grill while igniting or cooking.

⚠ WARNING: Each burner must be ignited individually by pushing the electronic ignition button.

⚠ WARNING: If ignition does not occur within four seconds of attempting to light the first burner, turn the burner control knob to the off position. Wait five minutes to allow accumulated gas to dissipate, and then repeat the lighting procedure.

## Cleaning and Maintenance

### Cleaning the Inside of the Grill

Over time, the performance of your grill can diminish if it has not been maintained properly. Low temperatures, uneven heat, and food sticking to cooking grates are all signs that cleaning and maintenance are overdue. When your grill is off and cool, start by cleaning the inside, from the top down. A thorough cleaning is recommended at least twice a year. Consistent use may require quarterly cleanings.

### Cleaning the Lid

From time to time you may notice "paint-like" flakes on the inside of the lid. During use, grease and smoke vapors slowly change into carbon and deposit on the inside of your lid. These deposits will eventually peel, and look very similar to paint. These deposits are non-toxic, but the flakes could fall onto your food if you do not clean the lid regularly.

- 1) Brush the carbonized grease from the inside of the lid with a stainless steel bristle grill brush (A). To minimize further build-up, the inside of the lid can be wiped with a paper towel after grilling while the grill is still warm (not hot).

### Cleaning the Cooking Grates

If you have been cleaning your cooking grates as recommended, the debris on your grates should be minimal.

- 1) With grates installed, brush the debris off your cooking grate with a stainless steel bristle grill brush (B).
- 2) Take the grates out and set aside.

### Cleaning the FLAVORIZER BARS

FLAVORIZER BARS catch drippings that smoke and sizzle, adding flavor to your food. Any drippings that are not vaporized by the FLAVORIZER BARS are funneled away from the burners. This helps prevent flare-ups inside of your grill, and protects the burners from getting clogged.

- 1) Scrape the FLAVORIZER BARS with a plastic scraper (C).
- 2) If necessary, brush the FLAVORIZER BARS with a stainless steel bristle grill brush.
- 3) Remove FLAVORIZER BARS and set aside.

### Cleaning the Burners

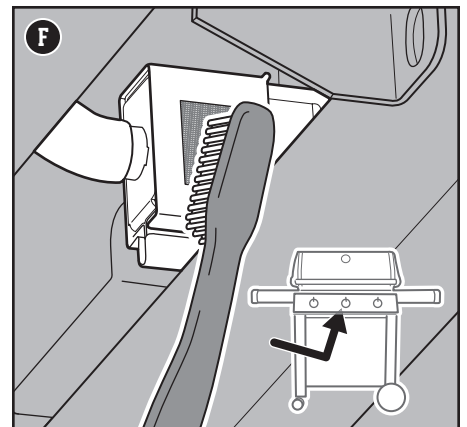
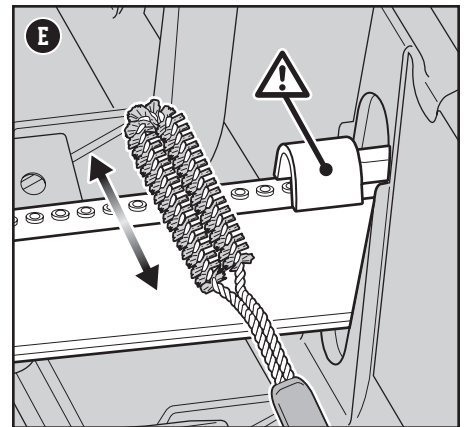
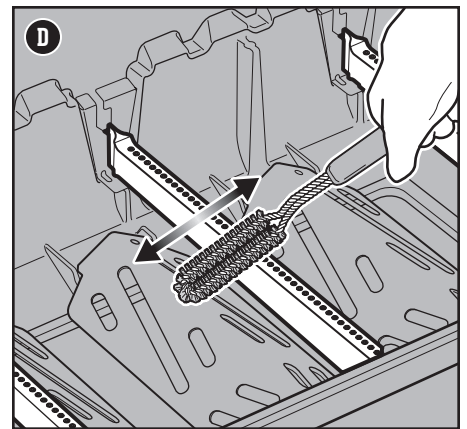
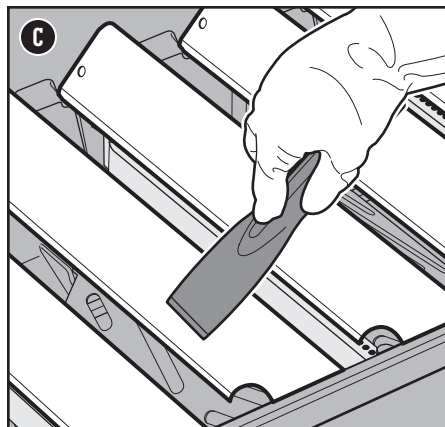
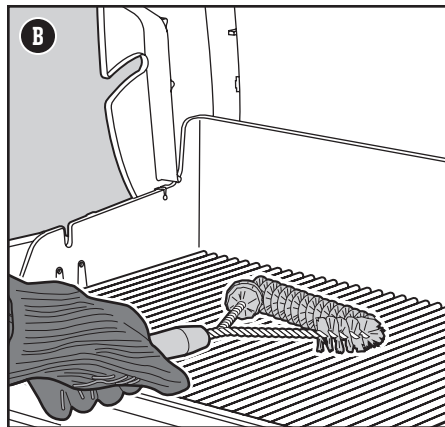
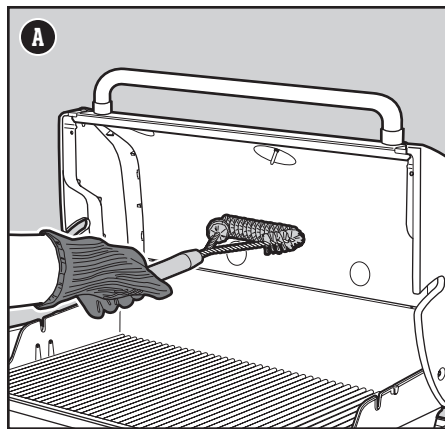
Two areas on the burners that are key to optimum performance are the ports (small raised openings running along the length of the burners) and the spider/insect screens on the ends of the burner. Keeping these areas clean is essential for safe operation.

#### Cleaning the Burner Ports

- 1) Use a clean stainless steel bristle grill brush to clean the outside of the burners by brushing across the top of the burner ports (D).
- 2) When cleaning the burners, avoid damaging the ignition electrode by carefully brushing around it (E).

#### Cleaning the Spider Screens

- 1) Locate the ends of the burners on the underside of the control panel where they meet the valves.
- 2) Clean the spider/insect screens on each of the burners using a soft bristle brush (F).



**REPLACEMENT PARTS**

To obtain replacement parts, contact the local retailer in your area or log onto [weber.com](http://weber.com).

⚠ **WARNING:** Turn your grill off and wait for it to cool before thoroughly cleaning.

⚠ **WARNING:** Over time, the development of rough surfaces can form on the FLAVORIZER BARS. Wearing gloves is recommended when handling. Do not clean FLAVORIZER BARS or cooking grates in a sink, dishwasher, or self-cleaning oven.

⚠ **WARNING:** When cleaning the burners, never use a brush that has already been used to clean the cooking grates. Never put sharp objects into the burner port holes.

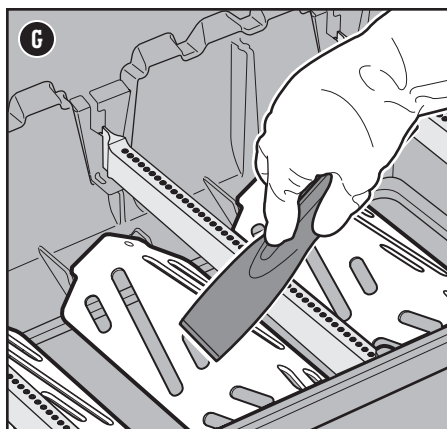
⚠ **CAUTION:** Do not place any grill components onto the side tables as they may scratch the paint or stainless steel surfaces.

⚠ **CAUTION:** Do not use any of the following to clean your grill: abrasive stainless steel polishes or paints, cleaners that contain acid, mineral spirits or xylene, oven cleaner, abrasive cleansers (kitchen cleansers), or abrasive cleaning pads.

### Cleaning the Heat Deflectors

Located under the burners, the heat deflectors distribute heat evenly throughout the cookbox while cooking. Keeping heat deflectors clean will enhance the cooking performance of your grill.

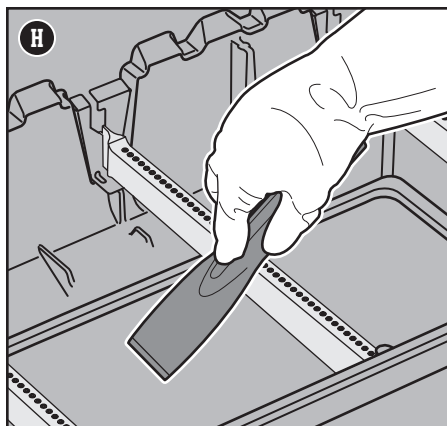
- 1) Scrape the heat deflectors with a plastic scraper (G).
- 2) If necessary, brush the heat deflectors with a stainless steel bristle grill brush.
- 3) Remove heat deflectors and set aside.



### Cleaning the Cookbox

Look inside the cookbox for any grease accumulation or leftover food particles. Excessive accumulation can cause a fire.

- 1) Use a plastic scraper to scrape debris off the sides and bottom of the grill into the opening in bottom of the cookbox (H). This opening leads debris into the slide-out grease tray.



### Cleaning the Grease Management System

The grease management system consists of an angled slide-out grease tray and a catch pan. These components were designed to be easily removed, cleaned, and replaced; an essential step every time you prepare to grill. Instructions on inspecting the grease management system can be found in MEAL-TO-MEAL MAINTENANCE.

### Cleaning the Outside of the Grill

The outside of your grill may include stainless steel, porcelain-enameled, and plastic surfaces. WEBER recommends the following methods based on the surface type.

#### Cleaning Stainless Steel Surfaces

Clean stainless steel using a non-toxic, non-abrasive stainless steel cleaner or polish designed for use on outdoor products and grills. Use a microfiber cloth to clean in the direction of the grain of the stainless steel. Do not use paper towels.

*Note: Do not risk scratching your stainless steel with abrasive pastes. Pastes do not clean or polish. They will change the color of the metal by removing the top chromium oxide film coating.*

#### Cleaning Painted, Porcelain-Enameled Surfaces and Plastic Components

Clean painted, porcelain-enameled and plastic components with warm soapy water, and paper towels or cloth. After wiping down the surfaces, rinse and dry thoroughly.

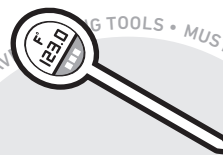
#### Cleaning the Outside of Grills that are in Unique Environments

If your grill is subject to a particularly harsh environment, you will want to clean the outside more often. Acid rain, pool chemicals, and salt water can cause surface rusting to appear. Wipe down the outside of your grill with warm soapy water. Follow up with a rinse and thorough drying. Additionally, you may want to apply a stainless steel cleaner weekly to prevent surface rust.



### FOIL PANS

Perfect for lining the catch pan to make cleanup convenient and easy.



### THERMOMETER

Small and relatively inexpensive, this gadget is essential for quickly gauging the internal temperature of the meat when grilling.



### GRILL BRUSH

A must-use before you even dream of grilling. A quick once-over on hot grates prevents the charred remains of meals past from sticking to your meals present.

# GRILL WILL NOT IGNITE

## SYMPTOM

• Burner does not ignite when following the electronic ignition instructions in the “Operation” section of this Owner’s Manual.

## CAUSE

There is a problem with gas flow.

## SOLUTION

If the grill will not ignite, the first step is to determine if there is gas flowing to the burners. To check this, follow the instructions below for “Using a Match to Determine if there is Gas Flow to the Burners.”

If **match lighting IS NOT successful**, follow the gas flow troubleshooting suggestions on the next page.

There is a problem with the electronic ignition system.

If the grill will not ignite, the first step is to determine if there is gas flowing to the burners. To check this, follow the instructions below for “Using a Match to Determine if there is Gas Flow to the Burners.”

If **match lighting IS successful**, follow the instructions below for “Checking the Components of the Electronic Ignition System.”

### Using a Match to Determine if there is Gas Flow to the Burners

- 1) Open the grill lid.
- 2) Check that all burner control knobs are in the off  $\bigcirc$  position. Check by pushing in and turning knobs clockwise.
- 3) Turn the gas supply valve on.
- 4) Begin with the burner furthest to the left. Put match in the matchstick holder and strike match. (Matchstick holder is located under right side table.) Insert lit match down through the cooking grates, past the FLAVORIZER BARS and next to the burner **(A)**.
- 5) Push the burner control knob in and turn it counterclockwise to the start/high  $\text{⬇}$  position.
- 6) Check that the burner is lit by looking through the cooking grates and through the half-circle cutout in the FLAVORIZER BARS.
- 7) If the burner does not ignite within 4 seconds, turn burner control knob to the off  $\bigcirc$  position and wait five minutes to allow the gas to clear before attempting to light the burner again. If repeated attempts fail, follow the gas flow troubleshooting instructions on the next page.
- 8) If the burner ignites, the problem lies in the ignition system. Follow the instructions for “Checking the Components of the Electronic Ignition System.”
- 9) Replace the matchstick holder by hanging underneath right side table **(B)**.

### Checking the Components of the Electronic Ignition System

When pressing the ignition button you should hear a ticking sound. If you cannot hear the ticking sound, check the battery, then check the wires.

#### Checking the Battery

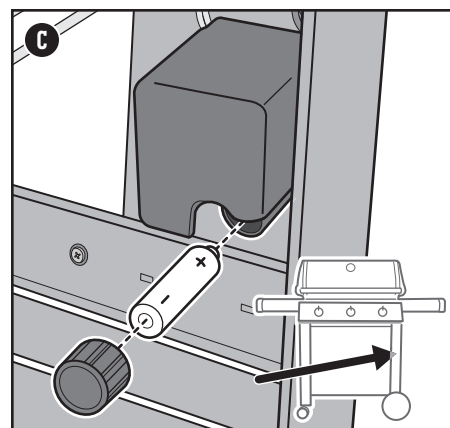
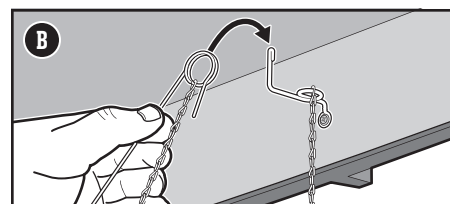
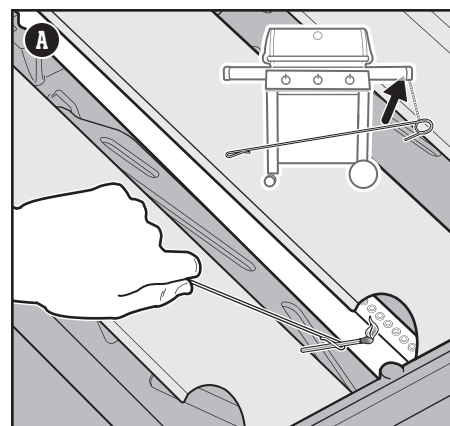
There are three potential issues with the battery that supplies the power to your ignition module that need to be checked:

- 1) Some batteries have a plastic protective wrap around them. (Do not confuse this plastic with the battery label.) Check that this plastic wrap is removed.
- 2) Confirm that the battery is installed correctly **(C)**.
- 3) If the battery is old, replace it with a new battery.

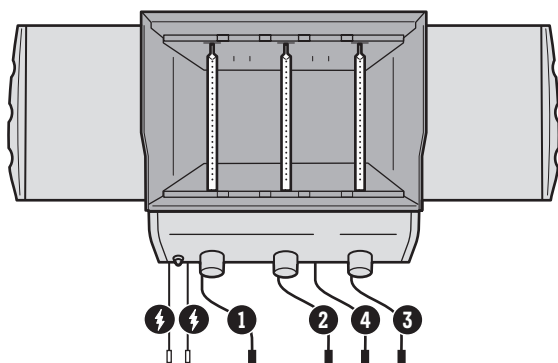
#### Checking the Wires

There are two potential trouble spots that need to be checked:

- 1) Check that the ignition wires are connected securely to the terminals on the ignition button under the control panel.
- 2) Make sure the ignition wires are properly attached to the ignition module. The wire terminals are color coded to correspond with the terminals on the ignition module. The number of wires will vary per model.



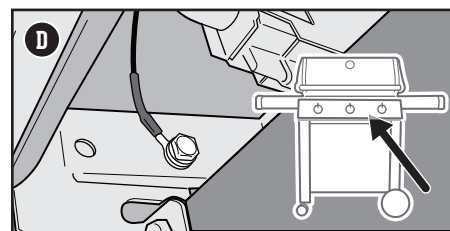
### 315 Igniter Module Wire Chart



#### Checking the Ground Wire

Models 310, 315 and 435 have a ground wire connected to the manifold bracket. This is visible from beneath the control panel **(D)**:

- 1) Check that the ground wire is properly secured with a screw.





## GAS FLOW

### SYMPTOM

- Grill does not reach desired temperature or heats unevenly.
- One or more of the burners fail to ignite.
- Flame is low when burner is on high position.
- Flames do not run the whole length of the burner.
- Burner flame pattern is erratic.

### CAUSE

### SOLUTION

Fuel hose is bent or kinked.

Straighten fuel hose.

Burner ports are dirty.

Clean burner ports. Refer to "Cleaning the Burner Ports."

### SYMPTOM

- Gas is smelled in conjunction with burner flames that appear yellow and lazy.

### CAUSE

### SOLUTION

Spider screens on the burners are obstructed.

Clean spider screens. Refer to "Cleaning the Spider Screens" in the Product Care section. Also refer to the illustrations and information in this section about proper flame pattern and spider screens.

## GREASY GRILL (Peeling Paint & Flare-Ups)

### SYMPTOM

- Inside of lid appears to have the appearance of peeling paint.

### CAUSE

### SOLUTION

The flakes you see are accumulated cooking vapors that have turned into carbon.

This happens over time after repeated use of your grill. This is not a defect. Clean the lid. Refer to the "Product Care" section.

### SYMPTOM

- Experiencing flare-ups when grilling or preheating.

### CAUSE

### SOLUTION

There is leftover food from the previous meal.

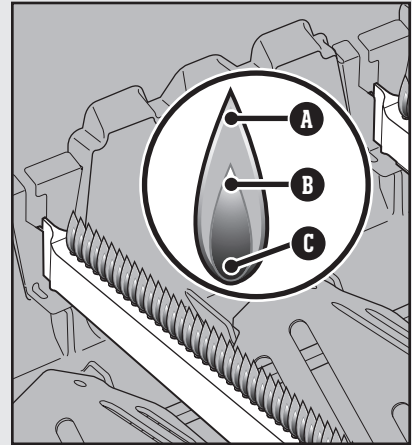
Always preheat the grill on the highest setting for 10 to 15 minutes.

The inside of the grill needs to be cleaned thoroughly.

Follow the steps in the "Cleaning and Maintenance" section to clean the grill inside from the top down.

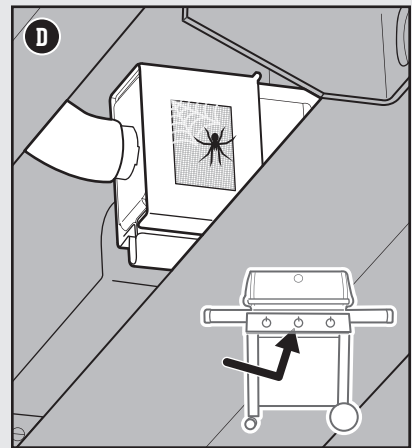
### Proper Burner Flame Pattern

The burners in your grill were factory set for the correct air and gas mixture. When the burners are performing correctly, you will see a specific flame pattern. The tips may occasionally flicker yellow (A), with a descending light blue (B) to dark blue flame (C).



### Spider Screens

The combustion air openings of the burners (D) are fitted with stainless steel screens to prevent spiders and other insects from spinning webs and building nests inside the burners. Additionally, dust and debris can accumulate on the outside of the spider/insect screen and obstruct the oxygen flow to the burners.



## CALL CUSTOMER SERVICE






If you are still experiencing any problems, contact the Customer Service Representative in your area using the contact information on [weber.com](http://weber.com).

⚠ **WARNING:** Do not attempt to make any repair to gas carrying, gas burning, ignition components or structural components without contacting Weber-Stephen Products LLC, Customer Service Department.

⚠ **WARNING:** Failure to use genuine Weber-Stephen parts for any repair or replacement will void all warranty protection.

⚠ **CAUTION:** The burner tube openings must be positioned properly over the valve orifices.

## Grilling Guide

Type	Thickness/Weight	Approximate Total Grill Time
 <b>RED MEAT</b>		
	¾ inch (19 mm) thick	<b>4 to 6 minutes</b> direct high heat
<b>Steak:</b> New York strip, porterhouse, rib-eye, T-bone, and filet mignon (tenderloin)	1 inch (25 mm) thick	<b>6 to 8 minutes</b> direct high heat
	2 inches (5 cm) thick	<b>14 to 18 minutes</b> sear 6 to 8 minutes direct high heat, then 8 to 10 minutes indirect high heat
<b>Flank Steak</b>	1½ to 2 pounds (0,68 - 0,91 kg), ¾ inch (19 mm) thick	<b>8 to 10 minutes</b> direct medium heat
<b>Ground Beef Patty</b>	¾ inch (19 mm) thick	<b>8 to 10 minutes</b> direct medium heat
<b>Tenderloin</b>	3 to 4 pounds (1,36 - 1,81 kg)	<b>45 to 60 minutes</b> 15 minutes direct medium heat, then 30 to 45 minutes indirect medium heat
 <b>PORK</b>		
<b>Bratwurst:</b> fresh	3 ounce (85 g) link	<b>20 to 25 minutes</b> direct low heat
	¾ inch (19 mm) thick	<b>6 to 8 minutes</b> direct high heat
<b>Chop:</b> boneless or bone in	1¼ to 1½ inches (3,18 - 3,81 cm) thick	<b>10 to 12 minutes</b> sear 6 minutes direct high heat, then 4 to 6 minutes indirect high heat
<b>Ribs:</b> baby back, spareribs	3 to 4 pounds (1,36 - 1,81 kg)	<b>1½ to 2 hours</b> indirect medium heat
<b>Ribs:</b> country-style, bone in	3 to 4 pounds (1,36 - 1,81 kg)	<b>1½ to 2 hours</b> indirect medium heat
<b>Tenderloin</b>	1 pound (0,45 kg)	<b>30 minutes</b> sear 5 minutes direct high heat, then 25 minutes indirect medium heat
 <b>POULTRY</b>		
<b>Chicken Breast:</b> boneless, skinless	6 to 8 ounces (170-226 g)	<b>8 to 12 minutes</b> direct medium heat
<b>Chicken Thigh:</b> boneless, skinless	4 ounces (113g)	<b>8 to 10 minutes</b> direct medium heat
<b>Chicken Pieces:</b> bone in, assorted	3 to 6 ounces (85-170 g)	<b>36 to 40 minutes</b> 6 to 10 minutes direct low heat, then 30 minutes indirect medium heat
<b>Chicken:</b> whole	4 to 5 pounds (1,81-2,27 kg)	<b>1 to 1¼ hours</b> indirect medium heat
<b>Cornish Game Hen</b>	1½ to 2 pounds (0,68-0,91 kg)	<b>60 to 70 minutes</b> indirect medium heat
<b>Turkey:</b> whole, unstuffed	10 to 12 pounds (4,54-5,44 kg)	<b>2 to 2½ hours</b> indirect medium heat
 <b>SEAFOOD</b>		
<b>Fish, Fillet, or Steak:</b> halibut, red snapper, salmon, sea bass, swordfish, and tuna	¾ to ½ inch (6,35-12,7 mm) thick	<b>3 to 5 minutes</b> direct medium heat
	1 to 1¼ inches (25-31 mm) thick	<b>10 to 12 minutes</b> direct medium heat
	1 pound (0,45 kg)	<b>15 to 20 minutes</b> indirect medium heat
<b>Fish:</b> whole	3 pounds (1,36 kg)	<b>30 to 45 minutes</b> indirect medium heat
<b>Shrimp</b>	1½ ounces (42,5 g)	<b>2 to 4 minutes</b> direct high heat
 <b>VEGETABLES</b>		
<b>Asparagus</b>	½ inch (12,7 mm) diameter	<b>6 to 8 minutes</b> direct medium heat
	in husk	<b>25 to 30 minutes</b> direct medium heat
<b>Corn</b>	husked	<b>10 to 15 minutes</b> direct medium heat
	shiitake or button	<b>8 to 10 minutes</b> direct medium heat
<b>Mushroom</b>	portobello	<b>10 to 15 minutes</b> direct medium heat
	halved	<b>35 to 40 minutes</b> indirect medium heat
<b>Onion</b>	½ inch (12,7 mm) slices	<b>8 to 12 minutes</b> direct medium heat
	whole	<b>45 to 60 minutes</b> indirect medium heat
<b>Potato</b>	½ inch (12,7 mm) slices	<b>9 to 11 minutes</b> parboil 3 minutes, then 6 to 8 minutes direct medium heat

The cuts, thicknesses, weights, and grilling times above are meant to be guidelines. Factors such as altitude, wind, and outside temperature can affect cooking times. Two rules of thumb: Grill steaks, fish fillets, boneless chicken pieces, and vegetables using the direct method for the time given on the chart (or to the desired doneness), turning food once halfway through grilling time. Grill roasts, whole poultry, bone-in poultry pieces, whole fish, and thicker cuts using the indirect method for the time given on the chart (or until an instant-read thermometer registers the desired internal temperature). Cooking times for beef and lamb use the USDA's definition of medium doneness unless otherwise noted. Before carving, let roasts, larger cuts of meat, and thick chops and steaks rest for 5 to 10 minutes after cooking. The internal temperature of the meat will rise by 5 to 10 degrees during this time.



The Bluetooth® word mark and logos are registered trademarks owned by Bluetooth SIG, Inc. and any use of such marks by Weber-Stephen Products LLC is under license. Other trademarks and trade names are those of their respective owners.

© 2018 Designed and engineered Weber-Stephen Products LLC, 1415 S. Roselle Road, Palatine, Illinois 60067 (EE. UU.).

# GENESIS II

E-315 • CSE-315 • CSS-315



## ¡Descarga la app Weber Grills!

Sube a bordo con la app gratuita Weber Grills. La app Weber Grills es la respuesta a tus dudas acerca de la cocina a la parrilla y contiene información acerca de todo: desde la instalación del tanque de gas hasta tu primera sesión de asado al aire libre. Personalízala según tu modelo exacto y tus gustos registrando tu asador. Para ello, sólo tienes que contestar unas cuantas preguntas sencillas.



- Ayuda para configurar tu asador e instalar el tanque de gas
- Técnicas y guías de cocina a la parrilla
- Temporizadores y herramientas
- Recetas para todos los gustos
- Menús/recetas de temporada

# ¡Te damos la bienvenida a la familia Weber!

Asegúrate de leer este manual del propietario y descargar gratis la app Weber Grills, y estarás listo para cocinar de todo en tu asador antes de lo que imaginas. La app Weber Grills es la respuesta a todas tus dudas acerca de la cocina a la parrilla. Desde la instalación del tanque de gas hasta las mejores recetas, pasando por la configuración de las funciones personalizables, úsala para emprender tu viaje al calor de las llamas y no mires atrás.

¡Gracias por elegir Weber!

## Información importante sobre seguridad

Los avisos encabezados por las palabras **PELIGRO**, **ADVERTENCIA** y **PRECAUCIÓN** se emplean a lo largo de este manual del propietario para poner de manifiesto información crítica e importante. Lea y respete tales avisos para garantizar la seguridad durante el uso y evitar posibles daños materiales. Dichos avisos se describen a continuación.

- ⚠ **PELIGRO:** Indica una situación peligrosa que, de no evitarse, *provocará muertes o lesiones graves*.
- ⚠ **ADVERTENCIA:** Indica una situación peligrosa que, de no evitarse, *puede provocar muertes o lesiones graves*.
- ⚠ **PRECAUCIÓN:** Indica una situación peligrosa que, de no evitarse, *puede provocar lesiones leves o moderadas*.

### ⚠ PELIGRO

Si percibe olor a gas:

- Interrumpa el suministro de gas al aparato (asador).
- Extinga las llamas prendidas.
- Abra la tapa.
- Si el olor no se disipa, manténgase alejado del aparato (asador) y avise inmediatamente a su proveedor de gas o el departamento de bomberos.

### ⚠ ADVERTENCIA

- No guarde ni use gasolina u otros líquidos o vapores inflamables cerca de este aparato (asador) o cualquier otro.
- Evite guardar botellas (tanques) de LP no conectadas para su uso cerca de este aparato (asador) o cualquier otro.

SÓLO APTO PARA EL USO AL AIRE LIBRE.  
LEA LAS INSTRUCCIONES ANTES DE USAR EL APARATO (ASADOR).

AVISO PARA EL INSTALADOR: Entregue estas instrucciones al consumidor.

AVISO PARA EL CONSUMIDOR: Guarde estas instrucciones para poder consultarlas en el futuro.

### Instalación y montaje

- ⚠ **PELIGRO:** Este asador no ha sido diseñado para su instalación en el interior o encima de vehículos o embarcaciones recreativas.
- ⚠ **ADVERTENCIA:** Se prohíbe el uso de este asador a menos que estén instaladas todas las piezas y el asador se haya montado de acuerdo con las instrucciones de montaje.
- ⚠ **ADVERTENCIA:** No instale este modelo de asador en una estructura empotrada o móvil.
- ⚠ **ADVERTENCIA:** No modifique el aparato (asador). El gas propano líquido no es un gas natural. La conversión o el intento de uso de gas natural en un equipo de gas propano líquido, o gas propano líquido en un equipo de gas natural, no es seguro y constituye un motivo de invalidación de la garantía.
- ⚠ **ADVERTENCIA:** No coloque la manguera de 10 ft bajo una plataforma. La manguera debe ser visible.
- **SE RECOMIENDA QUE LA INSTALACIÓN DE ESTE ASADOR DE GAS NATURAL SEA LLEVADA A CABO POR UN PROFESIONAL.**
- Antes de usar el asador, debe comprobarse que la línea de suministro auxiliar entre la casa y el asador se encuentre correctamente instalada.
- En Estados Unidos, la instalación debe tener lugar de acuerdo con los códigos locales en vigor o, en ausencia de códigos locales, de conformidad con las siguientes normas, según corresponda: "National Fuel Gas Code, ANSI Z223.1/NFPA 54, Natural Gas and Propane Installation Code, CSA B149.1"; "Propane Storage and Handling Code, B149.2"; o "Standard for Recreational Vehicles, ANSI A119.2/NFPA 1192, CSA Z240 RV Series, Recreational Vehicle Code".
- En Canadá, la instalación de este asador debe cumplir los requisitos establecidos por los códigos locales y/o la edición más reciente de la norma "CAN/CSA-B149.2 (Propane

Storage and Handling Code)". En los casos en los que se considera generalmente aceptable, estas instrucciones no cumplen necesariamente los códigos de instalación canadienses, en particular en relación con la instalación de tuberías en tierra y bajo tierra.

- En México, si existen códigos locales en materia de aparatos portátiles de gas, deberán cumplirse los requisitos establecidos por la edición más reciente de la Norma Oficial Mexicana (NOM).
- Si se emplea una fuente eléctrica externa (por ejemplo, para alimentar un asador giratorio), esta deberá conectarse eléctricamente a tierra de acuerdo con los códigos locales o, en ausencia de códigos locales, de conformidad con los códigos "National Electrical Code, ANSI/NFPA 70" o "Canadian Electrical Code, Part 1, CSA C22.1".

### Operación

- ⚠ **PELIGRO:** El uso de este asador sólo debe tener lugar al aire libre, en áreas bien ventiladas. Se prohíbe el uso en garajes, edificios, pasajes cubiertos, tiendas de campaña y otras áreas cerradas, así como bajo tejados combustibles.
- ⚠ **PELIGRO:** Se prohíbe el uso del asador en vehículos, así como en las áreas de almacenamiento o carga de los mismos. Lo anterior hace referencia a automóviles, camiones, camionetas, minivans, utilitarios deportivos, vehículos y embarcaciones recreativas, etc.
- ⚠ **PELIGRO:** Se prohíbe el uso del asador (incluidos sus extremos superior, inferior, posterior y laterales) a menos de 24 in (61 cm) de materiales combustibles.
- ⚠ **PELIGRO:** Mantenga el área destinada a la preparación de alimentos libre de vapores y líquidos inflamables, como gasolina, alcohol, etc., así como de materiales combustibles.
- ⚠ **PELIGRO:** Este aparato (asador) debe mantenerse alejado de materiales inflamables de todo tipo durante el uso.
- ⚠ **PELIGRO:** No coloque la funda del asador ni ningún otro objeto inflamable dentro o encima del espacio de almacenamiento situado bajo el mismo durante el uso del asador o mientras este se encuentre caliente.
- ⚠ **PELIGRO:** Si la grasa liberada por los alimentos provocase un incendio, apague todos los quemadores y mantenga la tapa cerrada hasta que las llamas se extingan.
- ⚠ **ADVERTENCIA:** Las piezas al alcance del usuario pueden estar muy calientes. Los niños deben permanecer alejados del aparato.
- ⚠ **ADVERTENCIA:** El consumo de alcohol, medicamentos (bajo supervisión médica o no) y drogas ilegales puede afectar a la capacidad del usuario para montar, desplazar, guardar y usar el asador correctamente y con seguridad.
- ⚠ **ADVERTENCIA:** Debe prestarse atención al asador tanto durante el precalentamiento como durante el uso. El uso de este asador exige precaución. El compartimento de asado alcanza temperaturas muy elevadas durante el uso.
- ⚠ **ADVERTENCIA:** No desplace el aparato (asador) durante el uso.
- ⚠ **ADVERTENCIA:** Mantenga los cables de alimentación eléctrica y las mangueras de suministro de combustible alejados de las superficies calientes.
- Se prohíbe el uso de carbón o rocas de lava en este asador.
- Este asador de gas natural ha sido fabricado exclusivamente para el uso con gas natural. El usuario debe abstenerse de usar el asador con gases diferentes de los especificados en las placas de datos del asador.

### Almacenamiento y/o desuso

- ⚠ **ADVERTENCIA:** Cierre la válvula de suministro de gas natural cuando el asador no esté en uso.
- ⚠ **ADVERTENCIA:** Tras un período de almacenamiento y/o desuso, debe comprobarse el asador para determinar si sufre fugas de gas u obstrucciones en los quemadores antes del uso.
- El almacenamiento del asador en interiores sólo se permite si tiene lugar con el asador desconectado de la fuente de gas.

### Propuesta 65 del estado de California

- ⚠ **ADVERTENCIA:** Los productos derivados de la combustión que tiene lugar durante el uso de este producto contienen sustancias químicas que, según el estado de California, provocan cáncer, defectos de nacimiento y otras lesiones reproductivas.
- ⚠ **PROPUESTA 65 ADVERTENCIA:** La manipulación de las piezas de bronce que contiene este producto expone al usuario al contacto con plomo, un elemento químico que, según el estado de California, provoca cáncer, defectos de nacimiento y otras lesiones reproductivas. *Lávese las manos tras manipular este producto.*

Aplica solo a los clientes en México:

**Debe leer esta guía del propietario antes de poner a funcionar el asador de gas.**

**⚠ PELIGRO:**

Si huele a gas:

1. Cierre el suministro de gas al artefacto.
2. Apague todas las flamas cerrando la válvula general de paso.
3. Abra la tapa.
4. No accione interruptores eléctricos.
5. Llame inmediatamente a la central de fugas o a su proveedor de gas.
6. Una fuga de gas puede provocar un incendio o explosión que puede resultar en lesiones corporales serias o la muerte, o daños a la propiedad.

**⚠ ADVERTENCIA:**

**Este aparato no debe ser utilizado como calentador de ambiente, sólo se debe utilizar para cocinar alimentos.**

**⚠ ADVERTENCIA:**

**Estos productos trabajan a una presión de 2,75 kPa.**

3 Quemadores Principales de: 13 716 kJ/h

4 Quemadores Principales de: 12 661 kJ/h

**⚠ ADVERTENCIA:**

- No almacene gasolina u otros fluidos flamables en la cercanía de su aparato.
- Ningún cilindro de gas que no esté conectado para su uso deberá almacenarse cerca de éste o cualquier otro artefacto doméstico.
- No obstruir la salida de los gases de combustión del asador.
- No debe utilizarse como calefactor de ambiente.
- Mantener los alrededores del aparato libres de materiales combustibles, gasolina y otros vapores o líquidos flamables.

## ÍNDICE

20	Bienvenido a Weber
	Información importante sobre seguridad
22	La promesa de Weber
	Garantía
23	Características del producto
	GENESIS II: Características
	Sistema de asado de alto desempeño GS4
24	Consejos y sugerencias
	La llama: directa o indirecta
	Qué hacer y qué no hacer al cocinar a la parrilla
26	Primeros pasos
	Información importante acerca del gas natural y las conexiones de gas
	Conexión de la manguera y prueba de fugas
30	Operación
	La primera vez que uses el asador
	Cada vez que cocines a la parrilla
	Encendido del asador
32	Mantenimiento del producto
	Limpieza y mantenimiento
34	Resolución de problemas
36	Guía de cocina a la parrilla
55	Piezas de repuesto



# La promesa de WEBER

En WEBER estamos orgullosos de dos cosas: fabricar asadores que duran y ofrecer toda una vida de excelente atención al cliente.

## Garantía

Gracias por adquirir un producto WEBER. Weber-Stephen Products LLC, 1415 S. Roselle Road, Palatine, Illinois 60067, y sus delegaciones comerciales de Norteamérica y Sudamérica (en adelante y en conjunto, "WEBER") se enorgullecen de fabricar productos seguros, duraderos y confiables.

WEBER ofrece esta Garantía Voluntaria sin costo adicional. Aquí encontrarás la información necesaria si tu producto WEBER necesita reparación o reemplazo, en el caso poco probable de que sufra una falla o defecto.

**Según la legislación vigente, el Propietario posee diversos derechos en caso de que el producto resulte defectuoso. Tales derechos incluyen desempeño complementario o reemplazo, rebaja del precio de compra y compensación. Las cláusulas de esta Garantía no afectan a tales derechos legales ni a ningún otro. De hecho, esta Garantía proporciona al Propietario derechos que van más allá de los que le otorga la Garantía legal.**

## Garantía Voluntaria de WEBER

WEBER garantiza al comprador del producto WEBER (o, en caso de que sea un regalo o promoción, la persona para quien haya sido adquirido como regalo o artículo promocional) (en adelante, el "Propietario") que este se encontrará libre de defectos de materiales y mano de obra durante diez (10) años a partir de la fecha de compra, siempre que el armado y uso del mismo tengan lugar de acuerdo con el manual del propietario que lo acompaña, quedando excluidos el desgaste y deterioro normales del producto. (Nota: En caso de pérdida o extravío del manual del propietario del producto WEBER, es posible descargar un reemplazo en [www.weber.com](http://www.weber.com)). WEBER acepta, en el marco de esta Garantía, reparar o sustituir las piezas defectuosas en cuanto a materiales o mano de obra, con las limitaciones y exclusiones descritas a continuación. EN LA MEDIDA EN QUE LO PERMITA LA LEGISLACIÓN APLICABLE, ESTA GARANTÍA SÓLO SERÁ VÁLIDA PARA EL COMPRADOR ORIGINAL Y NO PODRÁ TRANSFERIRSE A POSTERIORES PROPIETARIOS, EXCEPTO EN CASO DE REGALO O ENTREGA COMO ARTÍCULO PROMOCIONAL, SEGÚN LO DESCRITO ANTERIORMENTE.

WEBER respalda sus productos y ofrece con gusto la Garantía descrita frente a defectos de materiales en el asador o sus componentes, quedando excluidos el desgaste y deterioro normales del producto.

- Se entienden por "desgaste y deterioro normales" los deterioros estéticos e inmateriales que se deriven de la propiedad prolongada del asador, como la oxidación de superficies, las abolladuras/rayones, etc.

WEBER, no obstante, cumplirá sus obligaciones según esta Garantía en relación con el asador y sus componentes en caso de daño o disfunción como consecuencia de defectos de materiales.

- Se entienden por "defectos de materiales" el agrietamiento por corrosión o quemadura de ciertas piezas, así como otros daños o fallas que impidan usar el asador con seguridad/de un modo apropiado.

## Responsabilidades del Propietario bajo esta Garantía/situaciones no cubiertas

A fin de asegurar la debida cobertura de la Garantía, es importante (aunque no obligatorio) registrar el producto WEBER en [www.weber.com](http://www.weber.com). Deben conservarse el recibo y/o la factura de compra originales. Al registrar el producto WEBER, se confirma la cobertura de la Garantía, se acelera el procesamiento de las posibles reclamaciones en Garantía y se establece un vínculo directo con WEBER que el fabricante puede usar si necesita contactar con el Propietario. Si no tuviste tiempo de registrar tu asador antes de solicitar asistencia en Garantía, recopila los siguientes datos antes de llamar: nombre, domicilio, número de teléfono, correo electrónico, número de serie, fecha de compra, distribuidor, modelo, color y principal problema.

La Garantía anterior sólo será válida si el Propietario cuida razonablemente del producto WEBER de acuerdo con las instrucciones de armado, las instrucciones de uso y las indicaciones de mantenimiento preventivo descritas en el manual del propietario que lo acompaña, a menos que el Propietario pueda demostrar que la falla o el defecto no tiene relación con el incumplimiento de tales obligaciones. Si el producto se instala en una zona costera o cerca de una alberca, el lavado y enjuague periódicos de las superficies exteriores se considerarán parte del mantenimiento, según lo descrito en el manual del propietario.

Esta GARANTÍA no cubre piezas dañadas, deterioradas, decoloradas y/u oxidadas por motivos de los que WEBER no sea responsable y tengan su origen en:

- Abuso, mal uso, alteración, modificación, uso indebido, vandalismo, negligencia, armado o instalación incorrectos, u omisión al llevar a cabo las labores normales y rutinarias de mantenimiento.
- Insectos (como arañas) y roedores (como ardillas), incluidos, entre otros, los daños en quemadores y/o mangueras de gas.
- Exposición a atmósferas salinas y/o fuentes de cloro, como albercas o tinas calientes/spas.
- Condiciones meteorológicas severas, como granizo, huracanes, terremotos, tsunamis o temporales, tornados o grandes tormentas.
- Lluvia ácida y otros factores ambientales.

El uso y/o la instalación de piezas no fabricadas por WEBER en el producto WEBER es motivo de invalidación de esta Garantía, que no cubrirá los daños que resulten de tales acciones. Toda conversión de un asador de gas no autorizada por WEBER y llevada a cabo por un técnico autorizado por WEBER ocasionará la invalidación de esta Garantía.

## Procesamiento de la Garantía

Si crees que tienes una pieza cubierta por esta Garantía, contacta con el servicio de atención al cliente de WEBER usando la información de contacto disponible en nuestro sitio web ([www.weber.com](http://www.weber.com)). Luego de llevar a cabo las investigaciones que correspondan, WEBER reparará o sustituirá (a decisión propia) la pieza defectuosa cubierta por esta Garantía. En caso de que la reparación o sustitución no sea posible, WEBER podrá (a decisión propia) reemplazar el asador en cuestión por otro nuevo de igual o mayor valor. Puede ser que WEBER te pida que devuelvas las piezas afectadas para su inspección (deberás cubrir los gastos de envío).

Antes de contactar con el servicio de atención al cliente, recopila la siguiente información: nombre, domicilio, número de teléfono, correo electrónico, número de serie, fecha de compra, distribuidor, modelo, color y principal problema.

## Exenciones de responsabilidad

APARTE DE LAS GARANTÍAS Y EXENCIONES DESCRITAS COMO PARTE DE ESTA DECLARACIÓN DE GARANTÍA, NO EXISTEN OTRAS GARANTÍAS O DECLARACIONES VOLUNTARIAS DE RESPONSABILIDAD EXPLÍCITAS, MÁS ALLÁ DE LA RESPONSABILIDAD LEGAL APLICABLE A WEBER. ASIMISMO, LA PRESENTE DECLARACIÓN DE GARANTÍA NO LIMITA NI EXCLUYE AQUELLAS SITUACIONES O RECLAMACIONES DE LAS QUE WEBER DEBA HACERSE RESPONSABLE SEGÚN LO PREVISTO EN LA LEY.

**NO SE CONSIDERARÁ VÁLIDA NINGUNA OTRA GARANTÍA UNA VEZ VENCIDA ESTA GARANTÍA DE DIEZ (10) AÑOS. WEBER NO ASUMIRÁ NINGUNA OTRA GARANTÍA (INCLUIDAS LAS "GARANTÍAS AMPLIADAS") OFRECIDA POR NINGUNA PERSONA, DISTRIBUIDOR O AGENTE COMERCIAL, EN RELACIÓN CON NINGÚN PRODUCTO. EL ÚNICO OBJETO DE ESTA GARANTÍA ES LA REPARACIÓN O SUSTITUCIÓN DE LA PIEZA O EL PRODUCTO EN CUESTIÓN.**

**ESTA GARANTÍA VOLUNTARIA NO CUBRIRÁ EN NINGÚN CASO IMPORTES ECONÓMICOS SUPERIORES AL PRECIO DE COMPRA DEL PRODUCTO WEBER ADQUIRIDO.**

**EL USUARIO ASUME EL RIESGO Y LA RESPONSABILIDAD DERIVADOS DE AQUELLAS PÉRDIDAS, DAÑOS O LESIONES SUFRIDOS POR AQUEL Y SU PROPIEDAD Y/ U OTRAS PERSONAS Y SUS PROPIEDADES, QUE SE DERIVEN DEL MAL USO O ABUSO DEL PRODUCTO, O DE NO RESPETAR LAS INSTRUCCIONES INCLUIDAS EN EL MANUAL DEL PROPIETARIO QUE LO ACOMPAÑA.**

**LAS PIEZAS Y ACCESORIOS SUSTITUIDOS EN EL MARCO DE ESTA GARANTÍA GOZARÁN EN UN PERÍODO DE GARANTÍA EQUIVALENTE AL TIEMPO RESTANTE DEL PERÍODO DE GARANTÍA ORIGINAL, DE DIEZ (10) AÑOS.**

**ESTA GARANTÍA SÓLO ES VÁLIDA PARA EL USO EN VIVIENDAS O DEPARTAMENTOS UNIFAMILIARES PRIVADOS, NO ASÍ PARA ASADORES WEBER DESTINADOS AL USO EN INSTALACIONES COMERCIALES, COMUNITARIAS O DE UNIDADES MÚLTIPLES, COMO RESTAURANTES, HOTELES, COMPLEJOS TURÍSTICOS O PROPIEDADES DE RENTA.**

**PUEDA SER QUE WEBER MODIFIQUE EL DISEÑO DE SUS PRODUCTOS CADA CIERTO TIEMPO. NINGUNA DE LAS ESTIPULACIONES QUE CONTIENE ESTA GARANTÍA DEBE CONSIDERARSE CONSTITUYENTE DE UNA OBLIGACIÓN POR PARTE DE WEBER DE INCORPORAR TALES CAMBIOS DE DISEÑO A PRODUCTOS FABRICADOS ANTERIORMENTE; DEL MISMO MODO, LA APLICACIÓN DE TALES CAMBIOS NO CONSTITUIRÁ UNA ADMISIÓN DEL CARÁCTER DEFECTUOSO DE LOS DISEÑOS ANTERIORES.**

**Weber-Stephen Products LLC**  
Centro de atención al cliente

1415 S. Roselle Road  
Palatine, IL 60067  
EE. UU.

**Para adquirir piezas de repuesto, llama al teléfono:**  
1-800-446-1071

**Para compras hechas en México / Para garantía acudir / Importado por:**  
**Weber-Stephen Products S.A. de C.V.**

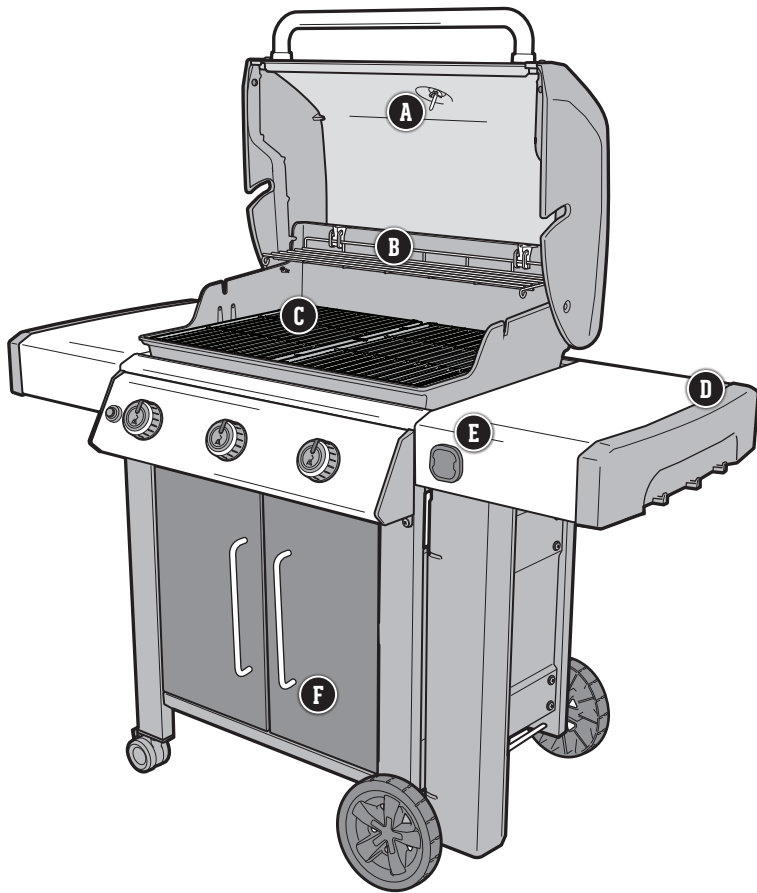
Anatole France 139-139A  
Colonia. Polanco III Sección  
Del. Miguel Hidalgo  
Ciudad de México  
C.P. 11540  
RFC: WPR030919-ND4

**Para partes de repuesto llame a:**  
01800-00-WEBER (93237)

Para hacer efectiva esta garantía es necesario llame por teléfono a los números indicados en este apartado o presentarse en los establecimientos autorizados por WEBER. Para hacer efectiva esta garantía no pueden exigirse otros requisitos más que la presentación del producto, la garantía vigente y comprobante de venta.

Puede que las parrillas que aparecen en las ilustraciones de este manual del propietario difieran ligeramente de las incluidas con el modelo adquirido.

# GENESIS II: CARACTERÍSTICAS



## A Termómetro integrado

Conocer la temperatura en el interior del asador te permite ajustar el fuego cuando es necesario.

## B Soporte para calentar TUCK-AWAY

Mantiene los alimentos calientes y permite tostar bollos mientras el plato principal termina de hacerse en las parrillas de cocción. Pliégalo cuando no lo necesites y ni siquiera notarás su presencia.

## C Parrillas de cocción de hierro fundido vitrificado

Las parrillas de cocción de hierro fundido vitrificado distribuyen uniformemente el calor por toda la superficie de cocción y se caracterizan por sus excepcionales propiedades de retención térmica. (Los modelos CSE-315 y CSS-315 cuentan con parrillas de acero inoxidable).

## D Mesas laterales con ganchos portautensilios integrados

Usa las mesas laterales para tener las bandejas, condimentos y herramientas siempre al alcance de tu mano. Cuelga en los ganchos los utensilios que más uses para acceder fácilmente a ellos y organizar tu espacio de trabajo al aire libre.

## E Compatible con iGRILL 3

Junto con la app que lo acompaña, el termómetro iGRILL 3 controla los alimentos de principio a fin, mostrando al instante su temperatura en tu dispositivo móvil. (Se vende por separado).

## F Gabinete debajo del asador

El gabinete ubicado debajo del asador proporciona espacio para guardar y proteger todas tus herramientas y accesorios de asado indispensables.

## SISTEMA DE ASADO DE ALTO DESEMPEÑO GS4



El sistema de asado de alto desempeño GS4 es una referencia en el mundo de los asadores de gas y diferencia los equipos Weber de todos los demás. Este potente sistema se basa en más de 65 años de experiencia en el campo de los asadores, avanzadas técnicas de cocina y, aún más importante, los deseos y necesidades de nuestra comunidad de parrilleros. Todos los componentes del sistema de asado GS4 están cuidadosamente diseñados para facilitar su uso y ofrecer un inigualable nivel de satisfacción en cuanto a la experiencia de asado al aire libre.

### 1 Sistema de encendido INFINITY



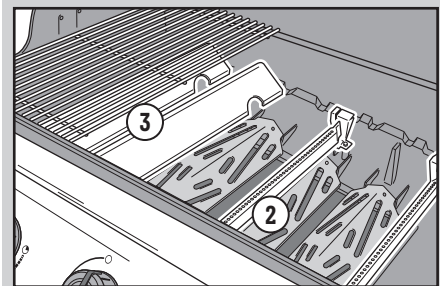
El sistema de encendido INFINITY garantiza el encendido del asador. Te lo aseguramos: comenzarás a cocinar siempre a la primera. Sin excepción.

### 2 Quemadores

Su exclusiva forma afilada proporciona un caudal de gas constante desde delante hacia atrás. Esto garantiza una distribución óptima del calor y asegura que los alimentos se asen uniforme y consistentemente, independientemente del lugar de las parrillas de cocción en el que se pongan.

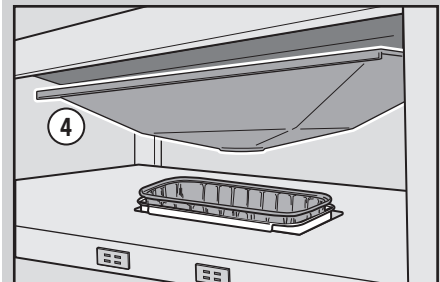
### 3 FLAVORIZER BARS

Las FLAVORIZER BARS de acero inoxidable forman el ángulo perfecto para capturar los jugos, que humean y crepitan al contacto con ellas para aportar a los alimentos ese irresistible sabor ahumado que todos conocemos y adoramos.



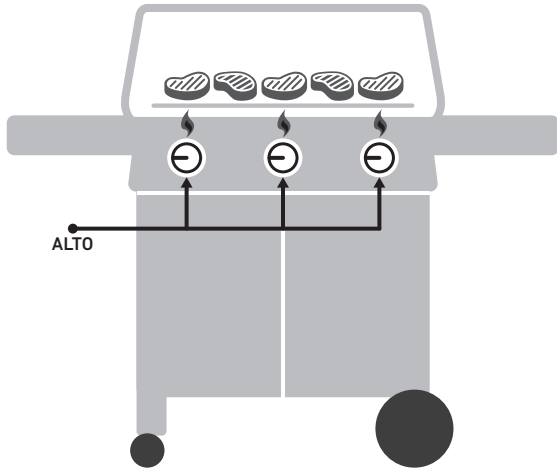
### 4 Sistema de gestión de grasa

Los jugos que no se evaporan en las FLAVORIZER BARS se recogen lejos de los quemadores, en la bandeja de goteo desechable que protege el colector extraíble, debajo del compartimento de asado. Sólo tienes que sacar el colector y sustituir la bandeja de goteo cuando sea necesario.



# La llama: directa o indirecta

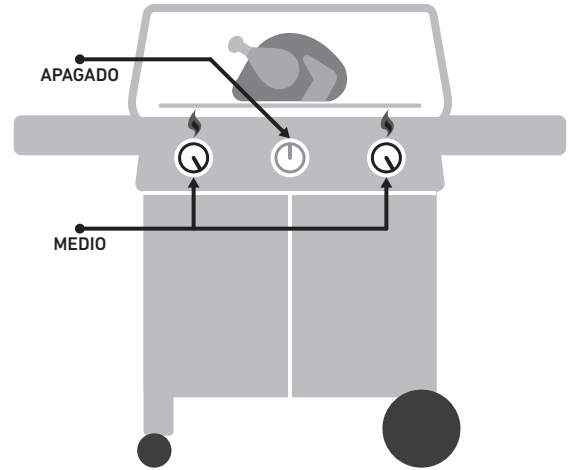
## CONFIGURACIÓN PARA CALOR DIRECTO



Usa el método directo para cocinar alimentos tiernos de pequeño tamaño que requieran menos de 20 minutos de cocción, como hamburguesas, filetes, chuletas, *kebabs*, piezas de pollo sin hueso, pescado en filetes, marisco y verduras en rodajas.

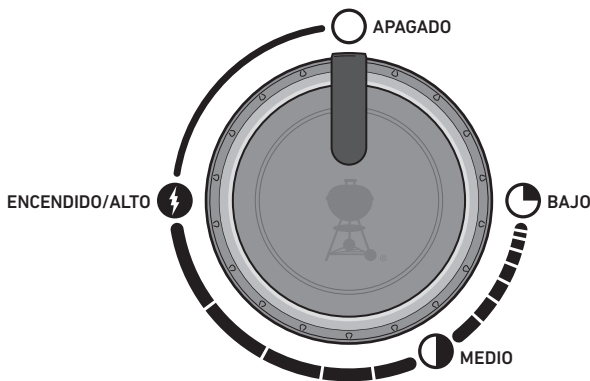
Con calor directo, el fuego se sitúa justo bajo el alimento. La superficie se dora, se desarrollan los sabores y texturas, y tiene lugar una deliciosa caramelización, mientras que el alimento se cocina hasta el centro.

## CONFIGURACIÓN PARA CALOR INDIRECTO



Usa el método indirecto para cortes de carne más gruesos que requieran un tiempo de cocción superior a 20 minutos o alimentos tan delicados que la exposición directa al calor pudiera secarlos o quemarlos, como asados, piezas de pollo con hueso, pescados enteros, filetes de pescado delicados, pollos enteros, pavos o costillas. El calor indirecto se puede usar también para acabar alimentos muy gruesos o cortes con hueso previamente dorados o tostados con calor directo.

El método indirecto permite repartir el calor por ambos lados de la parrilla o concentrarlo sólo en uno de ellos. Coloca el alimento en la parte de la parrilla de cocción que no esté encendida.





### TEMPORIZADOR

Evita la decepción de una cena quemada usando un sencillo temporizador. No necesitas nada sofisticado, sólo uno que sea confiable y fácil de usar.



### MANOPLAS DE BARBACOA

En caso de duda, úsalas. Las mejores están aisladas y protegen la mano y el antebrazo.

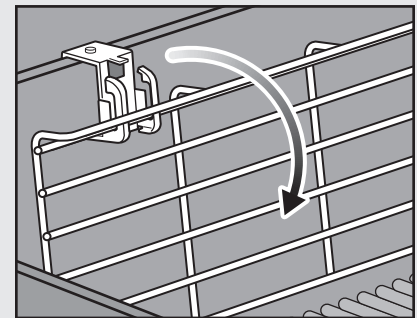
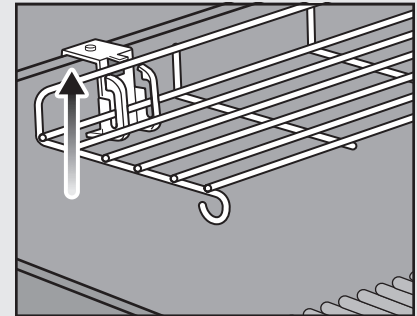
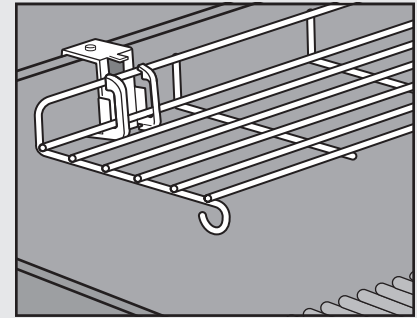


# Qué hacer y qué no hacer al cocinar a la parrilla

## Optimiza el espacio alrededor de tu asador

### Uso del soporte para calentar TUCK-AWAY

Usa el soporte para calentar para mantener los alimentos calientes y pliégallo cuando termines de usarlo. Para plegar el soporte para calentar, levántalo un poco y gíralo hacia abajo. Usa manoplas o guantes resistentes al calor al ajustar el soporte.



### Precalienta siempre el asador antes de cocinar.

Si las parrillas de cocción no están lo suficientemente calientes, los alimentos se pegarán y no podrás dorar tus piezas de carne ni disfrutar de esas atractivas marcas de parrilla. Incluso aunque la receta indique que debes cocinar a fuego medio o bajo, precalienta antes el asador a fuego máximo. Abre la tapa, sube el fuego, cierra la tapa y deja que la parrilla de cocción se caliente durante unos diez minutos o hasta que el termómetro de la tapa indique 260 °C (500 °F).

### No cocines en parrillas sucias.

Cocinar alimentos en una parrilla de cocción sucia nunca es una buena idea. Los restos de alimentos adheridos a las parrillas son como pegamento y acaban adhiriéndose también a los alimentos nuevos. Si no quieres saborear la cena de ayer en el almuerzo de hoy, asegúrate de borrar la pizarra antes de empezar. Cuando las parrillas estén calientes, usa un cepillo con cerdas de acero inoxidable para limpiar y suavizar la superficie.

### Mantente presente.

Antes de encender el asador, asegúrate de tener todo lo que necesites al alcance del brazo. No olvides tus principales herramientas de parrillada, los alimentos ya engrasados y sazonados, los glaseados o salsas que quieras usar, así como bandejas limpias para la comida cocinada. Tener que volver a la cocina no sólo significa perderse parte de la diversión, sino que puede ser el principio de una comida quemada. Los chefs franceses llaman a esto *mise en place* (algo así como "puesta en escena"). Nosotros lo llamamos estar presente.

### No cocines demasiados alimentos a la vez.

Poner demasiada comida en las parrillas de cocción limita tu flexibilidad. Mantén despejada, al menos, una cuarta parte de las parrillas de cocción, con espacio suficiente entre los alimentos para introducir las pinzas y moverlos con libertad. A veces, cocinar a la parrilla requiere tomar decisiones en pocos segundos, y para eso es fundamental poder mover los alimentos de una zona a otra. Ofrecete espacio suficiente para trabajar.

### Mantén a raya tu curiosidad.

La tapa del asador no sólo sirve para protegerlo de la lluvia. También, y más importante, impide que entre demasiado aire y que salga demasiado calor y humo. Cuando la tapa está cerrada, las parrillas de cocción están más calientes, los alimentos se asan en menos tiempo, los sabores ahumados son más intensos y se producen menos llamaradas. ¡Así que pon la tapa!

### Voltea una sola vez.

¿Hay algo mejor que una jugosa pieza de carne con marcas profundas y preciosos bordes caramelizados? La clave para conseguir esos resultados es no tocar el alimento. A veces sentimos la tentación de voltear los alimentos antes de que alcancen el nivel deseado de color y sabor. En casi todos los casos, no hace falta voltear los alimentos más de una vez. Si lo haces más veces, probablemente también estés abriendo la tapa con demasiada frecuencia, dando lugar a otros problemas. Da un paso atrás y confía en tu asador.

### Controla tu fuego interior.

A veces, lo más importante al cocinar a la parrilla es saber cuándo parar. La forma más confiable de comprobar si un alimento está hecho es consultar el termómetro. Esta pequeña joya te permitirá determinar el momento justo para servir.

### No tengas miedo de experimentar.

En la década de 1950, cocinar a la parrilla significaba una única cosa: carne (y sólo carne) carbonizada sobre una llama abierta. Los chefs modernos no necesitan una cocina para preparar una comida completa. Usa tu asador para cocinar aperitivos, guarniciones e incluso postres. Registra tu asador y recibe contenidos especiales e ideas que seguro disfrutarás poniendo en práctica. Nos encantará acompañarte en tus aventuras a la parrilla.

## Información importante acerca del gas natural y las conexiones de gas

### ¿Qué es el gas natural?

El gas natural, también conocido como NG, es una mezcla combustible y gaseosa de hidrocarburos sencillos que suele extraerse de depósitos subterráneos formados por rocas porosas. Se trata de un combustible fósil compuesto por metano casi en su totalidad. El gas natural se suministra a los hogares a través de una red de tuberías subterráneas.

### Especificaciones generales

- Los asadores de tres quemadores están diseñados para funcionar con una presión de columna de agua de 7" (0,2526 psi).
- Los asadores de cuatro quemadores están diseñados para funcionar con una presión de columna de agua de 4" (0,16245 psi).
- El acoplamiento de desconexión rápida se puede instalar en posición horizontal u orientado hacia abajo, pero nunca orientado hacia arriba. Instalarlo con el extremo abierto orientado hacia arriba puede dar lugar a la acumulación de agua y residuos en él.
- Las cubiertas protectoras (tapones de plástico suministrados con el asador) contribuyen a mantener limpios los orificios del acoplamiento de desconexión rápida cuando no está conectado.

### Requisitos que debe cumplir la manguera

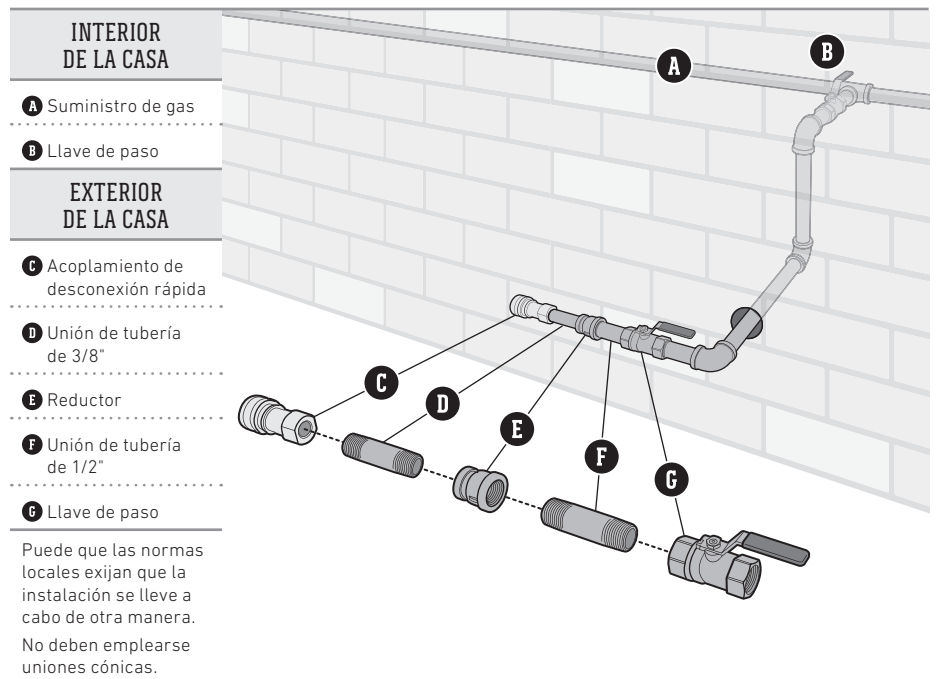
- El asador está equipado con una manguera específica para el modelo en cuestión que se conecta durante el proceso de fabricación. Dicha manguera se debe usar para obtener el desempeño adecuado.
- Si la manguera presenta daños o desgaste, contacta con el representante de atención al cliente de tu zona usando la información de contacto disponible en nuestro sitio web.

### Comprobación de la presión de gas

- Desconecta el asador de gas durante la comprobación del suministro de gas a alta presión. Este aparato y la llave de paso que incorpora deben desconectarse de la red de distribución de gas durante las pruebas de presión de dicha red a presiones superiores a 1/2 psig (3,5 kPa).
- Mantén el asador de gas apagado durante la comprobación del suministro de gas a baja presión. Este aparato debe aislarse de la red de distribución de gas cerrando la llave de paso manual que incorpora durante las pruebas de presión de dicha red a presiones iguales o inferiores a 1/2 psig (3,5 kPa).

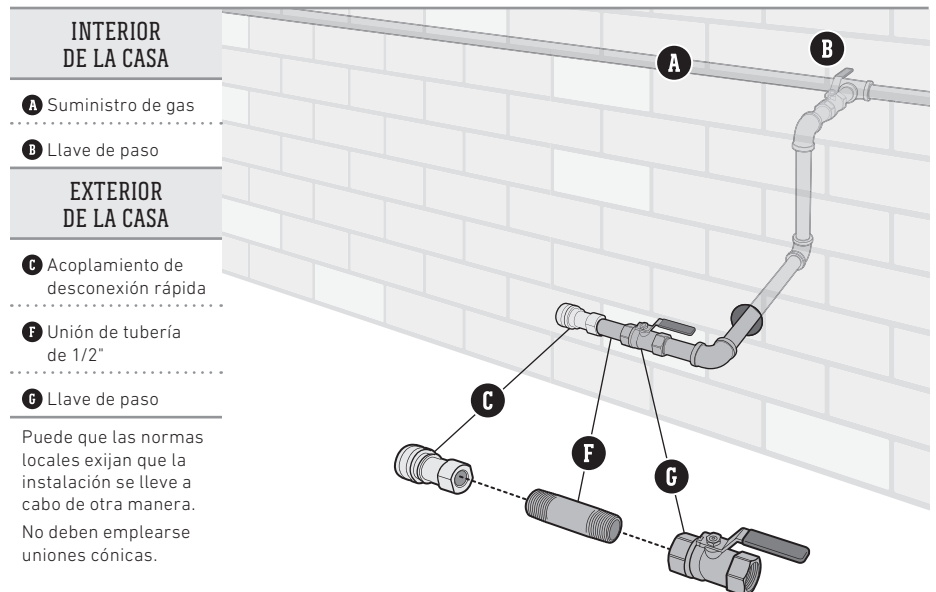
## Instalación típica de una tubería de NG para el asador

310 • 315 • 325 • 330 • 335



## Instalación típica de una tubería de NG para el asador

410 • 415 • 430 • 435



## PROTEGE TU INVERSIÓN

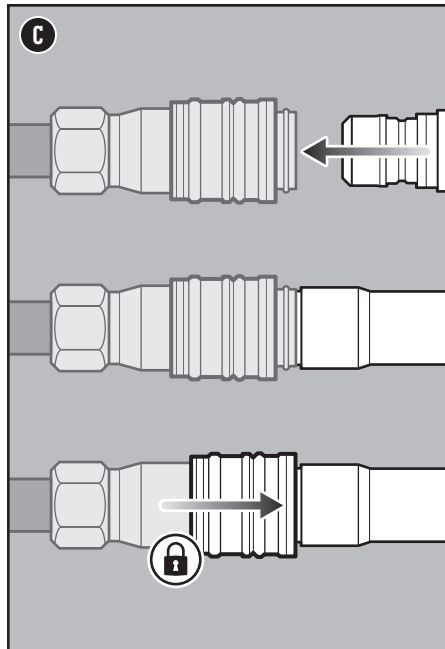
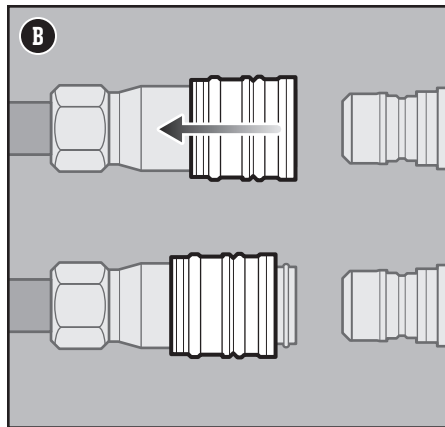
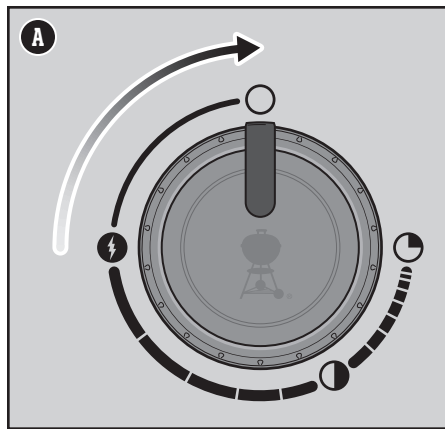
Blinda tu asador frente a los elementos con una funda de alta calidad.

## Conexión de la manguera y prueba de fugas

### Conexión de la manguera al suministro de gas

Usa una unión de desconexión rápida para conectar el asador a la red de distribución de gas. El gas no fluirá a menos que dicho dispositivo esté conectado correctamente.

- 1) Comprueba que los mandos de los quemadores estén todos en la posición **O** de cierre. Asegúrate presionando los mandos y girándolos en el sentido de las agujas del reloj (**A**).
- 2) Tira hacia atrás del collarín del acoplamiento de desconexión rápida (**B**).
- 3) Inserta el extremo macho de la manguera en el acoplamiento de desconexión rápida y mantén la presión. Desliza el collarín para cerrarla (**C**). Si no encaja o se traba, repite el procedimiento. Pasa a la sección "PRUEBA DE FUGAS DE GAS".



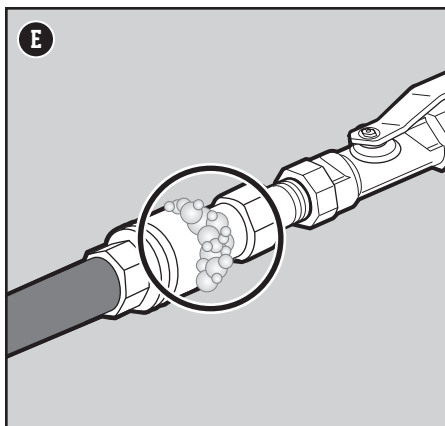
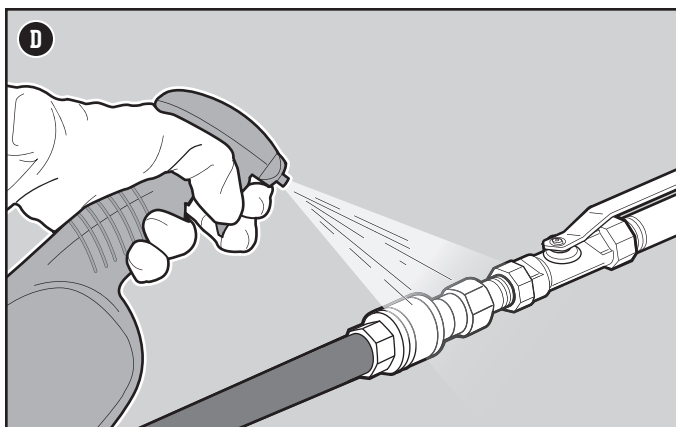
## ¿Qué es una prueba de fugas?

Una vez conectada correctamente la manguera, es necesario realizar una prueba de fugas. Una prueba de fugas es una manera confiable de comprobar que no existen escapes de gas después de conectar la manguera a la red de suministro de gas. El sistema de combustible de tu asador cuenta con conexiones que se realizan en la fábrica y superan estrictas pruebas de detección de fugas de gas; los quemadores, además, se someten a diferentes pruebas de encendido de llamas. WEBER recomienda llevar a cabo una prueba de fugas a profundidad después de armar el asador, así como una vez al año. Deben revisarse las siguientes uniones:

- Conexión entre la manguera de gas y la fuente.
- Conexión entre la manguera de gas y el conector pasante.
- Conexión entre el conector pasante y el tubo corrugado de gas.

## Prueba de fugas de gas

- 1) Humedece las uniones con una solución de agua y jabón empleando un pulverizador, una brocha o un trapo, como muestra la ilustración (D). Puedes hacer tu propia solución de agua y jabón mezclando un 20 % de jabón y un 80 % de agua; también puedes adquirir una solución de prueba de fugas en la sección de plomería de cualquier tienda de bricolaje.
- 2) Abre la válvula de suministro de gas.



⚠ PELIGRO: No use llamas para comprobar la existencia de fugas. Asegúrese de que no se generen chispas ni llamaradas en la zona durante la prueba de fugas.

⚠ PELIGRO: Las fugas de gas pueden causar un incendio o explosión.

⚠ PELIGRO: No use el asador si presenta alguna fuga de gas.

- 3) Si aparecen burbujas, existirá una fuga:
- a) Si la fuga está en la fuente de gas **(E)**. Interrumpe el suministro de gas. **NO USES EL ASADOR.**
  - b) Si la fuga se encuentra en cualquiera de las uniones indicadas en la ilustración **(F)**, vuelve a apretar la unión correspondiente con una llave y realiza una nueva prueba de fugas con la solución de agua y jabón. Si la fuga no desaparece, cierra el suministro de gas. **NO USES EL ASADOR.**
  - c) Si la fuga se encuentra en cualquiera de las uniones indicadas en la ilustración **(G)**, cierra el suministro de gas. **NO USES EL ASADOR.**

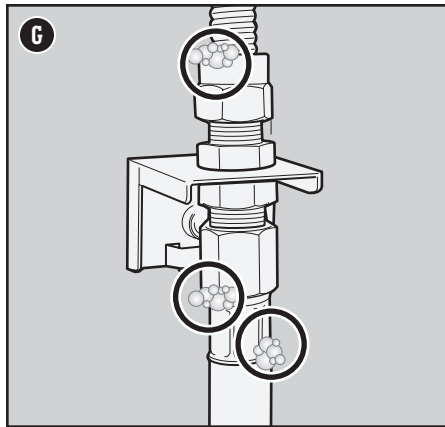
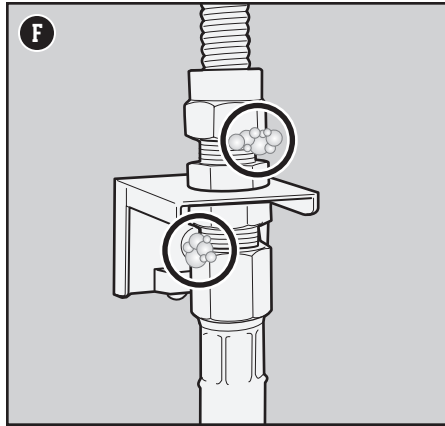
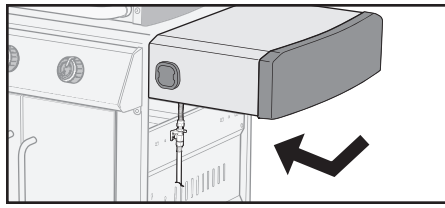
En caso de fuga, ponte en contacto con el representante de atención al cliente de tu zona usando la información de contacto disponible en nuestro sitio web.

- 4) Si no aparecen burbujas, la prueba de fugas habrá concluido. Cierra la válvula de suministro de gas y enjuaga las conexiones con agua.

*NOTA: Ciertas soluciones de prueba de fugas, incluidas las compuestas de agua y jabón, pueden resultar ligeramente corrosivas, por lo que es importante enjuagar bien todas las conexiones con agua después de la prueba.*

### Desconexión de la manguera del suministro de gas

- 1) Desliza hacia atrás el collarín y extrae el conector. Al hacerlo, el suministro de gas se interrumpirá automáticamente.



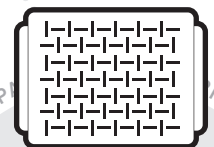
### PINZAS

Considéralas una prolongación de tus manos. Las mejores pinzas deben contar con un mecanismo de tensión que no cueste accionar, empuñaduras confortables y un seguro que permita guardarlas cerradas.



### PINCEL Y BROCHA

Consigue un pincel con cerdas de silicona resistentes al calor y mango largo, y una brocha con cerdas largas de algodón que absorban bien las salsas menos densas con base de vinagre.



### BANDEJA PARA ASAR

Diseñadas para alimentos demasiado pequeños o delicados para las parrillas de cocción, las bandejas para asar están perforadas y mantienen los alimentos justo donde deben estar: sobre la parrilla, no dentro de ella.

## La primera vez que uses el asador

### Realiza una carbonización inicial

Calienta el asador a fuego máximo, con la tapa cerrada, durante un mínimo de 20 minutos antes de cocinar por primera vez.

## Cada vez que cocines a la parrilla

### Mantenimiento entre comidas

El plan de mantenimiento entre comidas, sencillo aunque importante, se compone de los pasos descritos a continuación. Realízalos siempre antes de cocinar a la parrilla.

### Grasa acumulada

Tu asador está equipado con un sistema de gestión de grasa que la aleja de los alimentos y la deposita en un contenedor desechable. Al cocinar, la grasa cae en la bandeja de grasa extraíble hasta depositarse en una bandeja de goteo desechable que encaja en el colector. Este sistema debe limpiarse sin excepción antes de usar el asador para evitar incendios.

- 1) Comprueba que el asador esté apagado y frío.
- 2) Retira la bandeja de grasa extraíble sacándola del gabinete (A). Elimina el exceso de grasa con un raspador de plástico.
- 3) Retira el colector (B). Comprueba si la bandeja de goteo desechable que encaja en el colector contiene una cantidad excesiva de grasa. Si es necesario, desecha la bandeja de goteo desechable y sustitúyela por una nueva.
- 4) Instala de nuevo todos los componentes.

### Inspección de la manguera

Es necesario inspeccionar la manguera periódicamente.

- 1) Comprueba que el asador esté apagado y frío.
- 2) Comprueba si la manguera presenta signos de agrietamiento o abrasión, o cortes (C). No uses el asador si la manguera sufre algún tipo de daño.

### Pre calentamiento del asador

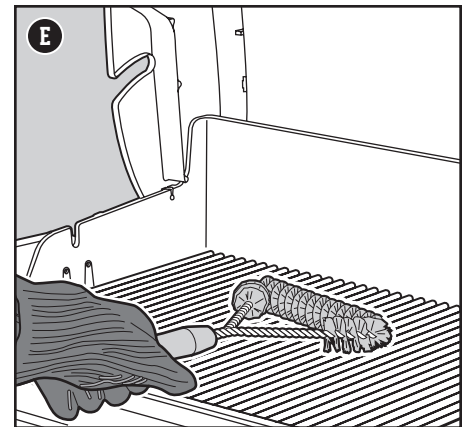
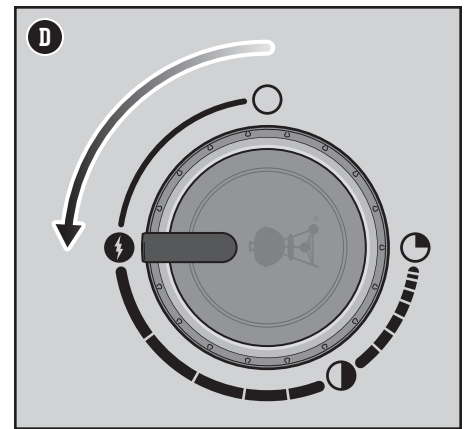
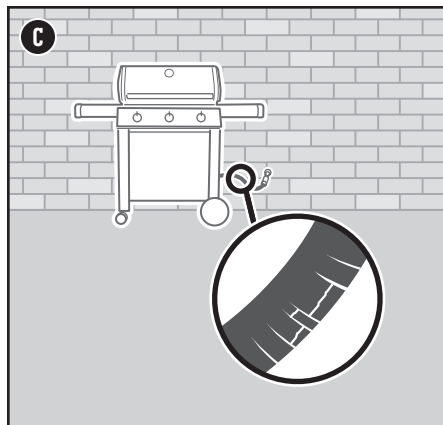
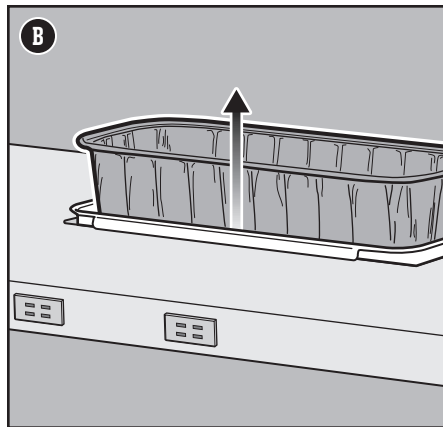
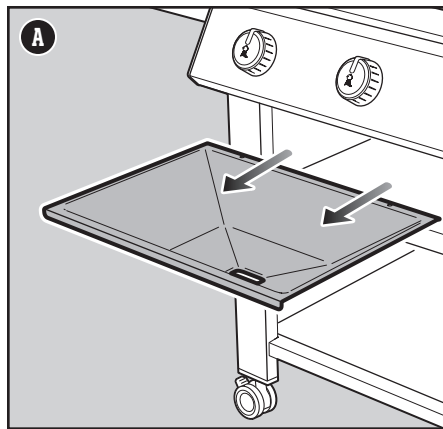
Pre calentamiento del asador es fundamental para el éxito de cualquier comida. El pre calentamiento contribuye a evitar que los alimentos se peguen a la parrilla y la calienta lo suficiente como para dorar correctamente las piezas. También ayuda a carbonizar los residuos de comidas anteriores.

- 1) Abre la tapa del asador.
- 2) Enciende el asador siguiendo las instrucciones de encendido descritas en este manual del propietario.
- 3) Cierra la tapa.
- 4) Pre calienta el asador manteniendo los mandos de control de los quemadores en la posición de encendido/fuego alto (D) durante 10-15 minutos o hasta que el termómetro indique 500 °F (260 °C) (D).

### Limpieza de las parrillas de cocción

Después de pre calentamiento, será más fácil limpiar los restos de alimentos y demás residuos generados por el último uso del asador. Limpiar las parrillas evitará también que la próxima comida se pegue.

- 1) Cepilla las parrillas empleando un cepillo con cerdas de acero inoxidable inmediatamente después de pre calentamiento (E).



⚠ PELIGRO: No forre de papel aluminio la bandeja de grasa extraíble ni el compartimento de asado.

⚠ PELIGRO: Antes de cada uso, compruebe si se ha acumulado demasiada grasa en la bandeja de grasa extraíble o el colector. Elimine el exceso de grasa para evitar que se incendie.

⚠ ADVERTENCIA: Use manoplas o guantes de barbacoa resistentes al calor durante el uso del asador.

⚠ ADVERTENCIA: Compruebe periódicamente si sus cepillos metálicos presentan cerdas sueltas o desgaste excesivo. Sustituya los cepillos si encuentra cerdas desprendidas en las parrillas de cocción o los propios cepillos. Weber recomienda adquirir nuevos cepillos con cerdas de acero inoxidable al principio de cada primavera.

⚠ ADVERTENCIA: No use el asador si la manguera sufre algún tipo de daño. Sustitúyala sólo por una manguera de repuesto autorizada por Weber.

⚠ ADVERTENCIA: Mantenga las aberturas de ventilación alrededor del tanque despejadas y libres de residuos.

## Encendido del asador

### Uso del sistema de encendido electrónico para encender el asador

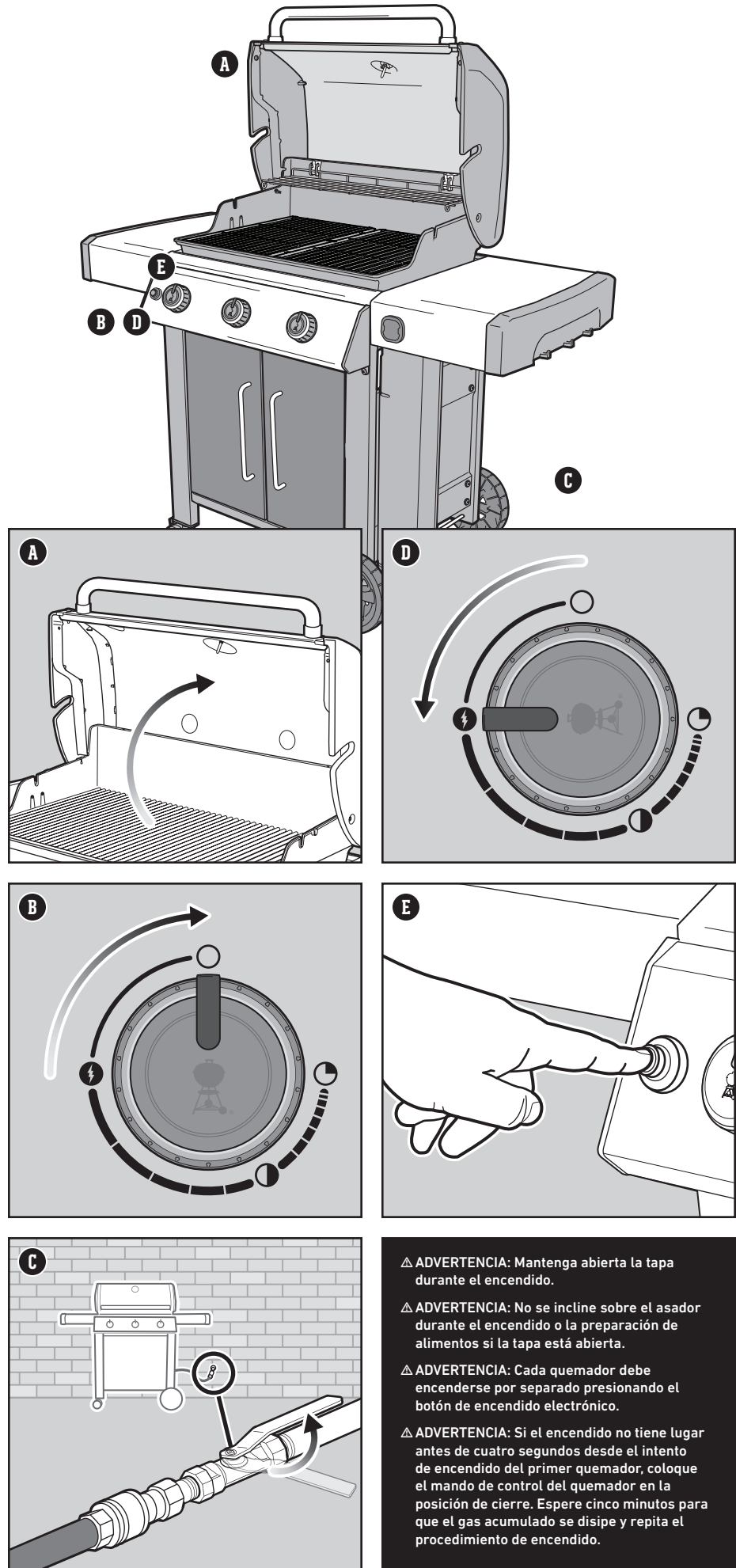
Cada mando de control acciona un quemador diferente y cada quemador se enciende por separado. Enciende los quemadores de izquierda a derecha. Todos los quemadores deben permanecer encendidos durante el precalentamiento, pero no es necesario que lo estén al cocinar.

- 1) Abre la tapa del asador (A).
- 2) Comprueba que los mandos de los quemadores estén todos en la posición de cierre O. Asegúrate presionando los mandos y girándolos en el sentido de las agujas del reloj (B).
- 3) Abre la válvula de suministro de gas (C).
- 4) Comienza por el quemador situado más a la izquierda. Presiona el mando de control del quemador hacia dentro y gíralo en sentido contrario a las agujas del reloj hasta la posición de encendido/fuego alto (D).
- 5) Mantén presionado el botón de encendido electrónico (E). Oirás varios chasquidos.
- 6) Comprueba que el quemador esté encendido mirando a través de las parrillas de cocción y la abertura semicircular de las barras FLAVORIZER.
- 7) Si el quemador no se enciende, gira el mando de control del quemador hasta la posición de cierre O y espera cinco minutos para que el gas se disipe antes de intentar encender de nuevo el quemador.
- 8) Si el quemador se enciende, repite los pasos 4 a 6 para encender los demás quemadores.

Si los quemadores no se encienden mediante el sistema de encendido electrónico, consulta la sección RESOLUCIÓN DE PROBLEMAS. En ella encontrarás instrucciones para encender el asador con un cerillo y determinar así el origen exacto del problema.

### Cómo apagar los quemadores

- 1) Presiona el mando de control de cada quemador hacia dentro y gíralo en el sentido de las agujas del reloj hasta la posición de cierre O.
- 2) Cierra la válvula de suministro de gas.



⚠ **ADVERTENCIA:** Mantenga abierta la tapa durante el encendido.

⚠ **ADVERTENCIA:** No se incline sobre el asador durante el encendido o la preparación de alimentos si la tapa está abierta.

⚠ **ADVERTENCIA:** Cada quemador debe encenderse por separado presionando el botón de encendido electrónico.

⚠ **ADVERTENCIA:** Si el encendido no tiene lugar antes de cuatro segundos desde el intento de encendido del primer quemador, coloque el mando de control del quemador en la posición de cierre. Espere cinco minutos para que el gas acumulado se disipe y repita el procedimiento de encendido.

## Limpieza y mantenimiento

### Limpieza interior del asador

Con el tiempo, el desempeño del asador puede verse afectado si no recibe los cuidados adecuados. Las bajas temperaturas, el calor irregular y la adherencia de los alimentos a las parrillas de cocción son señales de que el asador requiere limpieza y mantenimiento. Con el asador apagado y frío, comienza limpiando el interior desde arriba hacia abajo. Se recomienda realizar una limpieza completa, al menos, dos veces al año. Si el asador recibe uso constante, puede que la limpieza deba tener lugar cada tres meses.

### Limpieza de la tapa

De vez en cuando, quizá descubras lo que parecen ser "copos de pintura" dentro de la tapa. Durante el uso, la grasa y los vapores se convierten poco a poco en carbón y se acumulan en el interior del asador. Tales depósitos acaban desprendiéndose y adquieren un aspecto muy similar al de la pintura. Aunque no son tóxicos, los copos pueden caer sobre los alimentos si no limpias la tapa periódicamente.

- 1) Limpia la grasa carbonizada del interior de la tapa empleando un cepillo con cerdas de acero inoxidable (A). Para evitar la acumulación de residuos, puedes limpiar el interior de la tapa con toallas de papel después de cocinar, con el asador todavía templado (no caliente).

### Limpieza de las parrillas de cocción

Si limpias las parrillas de cocción según lo recomendado, apenas se acumularán residuos en ellas.

- 1) Con las parrillas instaladas, limpia los residuos adheridos a las mismas con un cepillo con cerdas de acero inoxidable (B).
- 2) Saca las parrillas y colócalas a un lado.

### Limpieza de las barras FLAVORIZER

Las barras FLAVORIZER atrapan los jugos, que se evaporan y crepitan al contacto con las mismas para agregar sabor a los alimentos. Los jugos que no se evaporan al entrar en contacto con las barras FLAVORIZER se acumulan lejos de los quemadores. Ello contribuye a evitar las llamaradas dentro del asador e impide que los quemadores se obstruyan.

- 1) Raspa las barras FLAVORIZER con un raspador de plástico (C).
- 2) Si es necesario, cepilla las barras FLAVORIZER con un cepillo con cerdas de acero inoxidable.
- 3) Desmonta las barras FLAVORIZER y colócalas a un lado.

### Limpieza de los quemadores

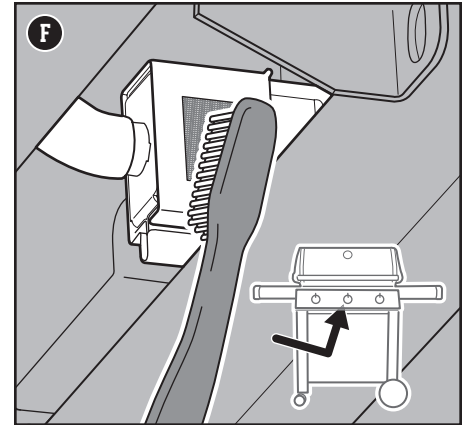
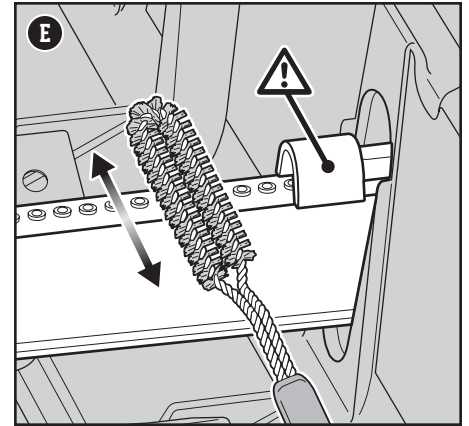
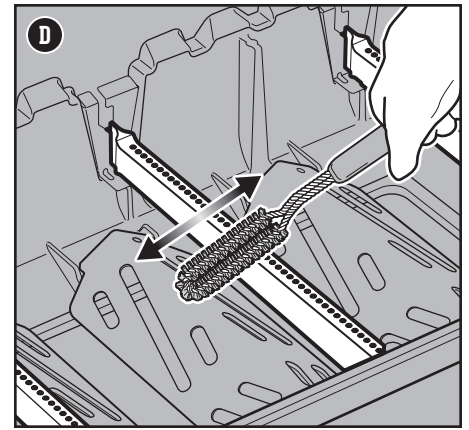
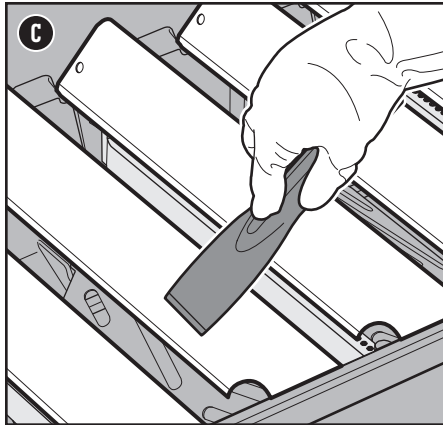
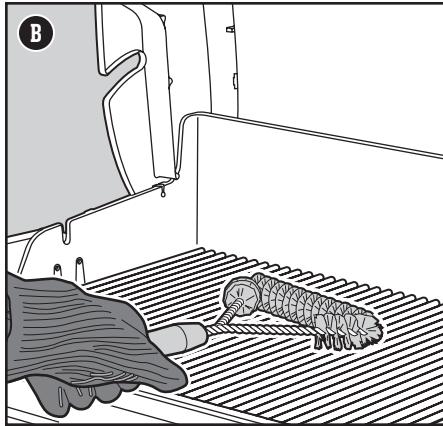
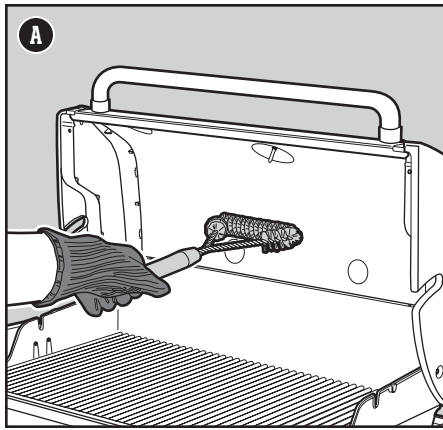
Existen dos partes de los quemadores que son fundamentales para su óptimo desempeño: los puertos (pequeñas aberturas que sobresalen a lo largo de los quemadores) y los filtros de arañas/insectos, situados en los extremos. Mantener limpias tales áreas es esencial para una operación segura.

#### Limpieza de los puertos de los quemadores

- 1) Usa un cepillo con cerdas de acero inoxidable para limpiar los quemadores por fuera. Cepilla cada quemador por encima, perpendicularmente a los puertos de los quemadores (D).
- 2) Al limpiar los quemadores, evita dañar el electrodo de encendido cepillando con cuidado a su alrededor (E).

#### Limpieza de los filtros de arañas

- 1) Localiza los extremos de los quemadores bajo el panel de control, donde se unen a las válvulas.
- 2) Limpia los filtros de arañas/insectos de cada quemador empleando un cepillo con cerdas blandas (F).



**PIEZAS DE REPUESTO**

Para adquirir piezas de repuesto, ponte en contacto con tu distribuidor local o visita [weber.com](http://weber.com).

⚠ **ADVERTENCIA:** Apague el asador y espere que se enfríe antes de realizar una limpieza integral.

⚠ **ADVERTENCIA:** Con el tiempo, puede formarse una película rugosa sobre las barras FLAVORIZER. Se recomienda usar guantes para manipularlas. No limpie las barras FLAVORIZER ni las parrillas de cocción en un fregadero, lavavajillas u horno con función de autolimpieza.

⚠ **ADVERTENCIA:** Al limpiar los quemadores, no use un cepillo que haya usado previamente para limpiar las parrillas de cocción. No introduzca objetos afilados en los orificios de los puertos de los quemadores.

⚠ **PRECAUCIÓN:** No coloque los componentes del asador en las mesas laterales; podrían arañar la pintura o las superficies de acero inoxidable.

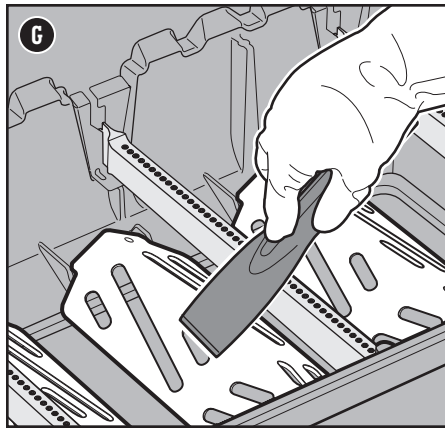
⚠ **PRECAUCIÓN:** No use nada de lo siguiente para limpiar el asador: abrillantadores de acero inoxidable abrasivos, pinturas, productos de limpieza que contengan ácido, alcoholes minerales, xileno, productos de limpieza de hornos, limpiadores abrasivos (limpiadores de cocina) o esponjas de limpieza abrasivas.



### Limpieza de los deflectores de calor

Situados bajo los quemadores, los deflectores de calor distribuyen el calor uniformemente por el compartimento de asado durante la cocción. Mantener limpios los deflectores de calor mejora el desempeño del asador al cocinar.

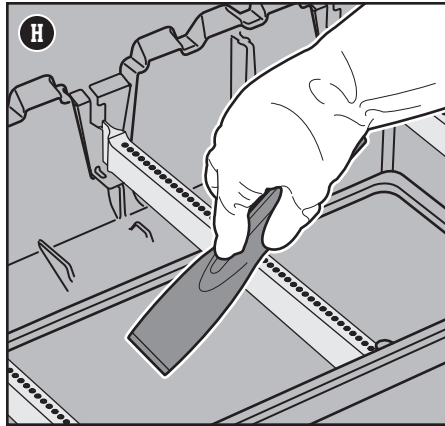
- 1) Raspa los deflectores de calor con un raspador de plástico (G).
- 2) Si es necesario, cepilla los deflectores de calor con un cepillo con cerdas de acero inoxidable.
- 3) Desmonta los deflectores de calor y colócalos a un lado.



### Limpieza del compartimento de asado

Revisa el interior del compartimento de asado en busca de grasa acumulada o restos de alimentos. La acumulación excesiva de este tipo de residuos puede causar un incendio.

- 1) Usa un raspador de plástico para raspar los residuos de los laterales y la parte inferior del asador, arrastrándolos hacia la abertura inferior del compartimento de asado (H). Esta abertura conduce los residuos hacia la bandeja de grasa extraíble.



### Limpieza del sistema de gestión de grasa

El sistema de gestión de grasa se compone de una bandeja de grasa extraíble y un colector. Tales componentes están diseñados para facilitar su extracción, limpieza y sustitución, todos ellos pasos fundamentales antes de prepararse para una parrillada. Las instrucciones para inspeccionar el sistema de gestión de grasa se recogen en la sección MANTENIMIENTO ENTRE COMIDAS.

### Limpieza exterior del asador

Por fuera, tu asador puede incluir superficies de acero inoxidable, vitrificadas y de plástico. WEBER recomienda los siguientes métodos en función del tipo de superficie.

#### Limpieza de las superficies de acero inoxidable

Limpia el acero inoxidable empleando un producto de limpieza o un abrillantador de acero inoxidable no tóxico ni abrasivo, diseñado para productos de uso al aire libre y asadores. Usa una franela de microfibra y limpia en la dirección de las vetas del acero inoxidable. No uses toallas de papel.

*Nota: No te arriesgues a arañar el acero inoxidable empleando pastas abrasivas. Las pastas no limpian ni pulen. Por el contrario, cambian el color del metal eliminando el revestimiento de óxido de cromo.*

#### Limpieza de los componentes pintados, vitrificados y de plástico

Limpia los componentes pintados, vitrificados y de plástico con agua tibia mezclada con jabón y toallas de papel o una franela. Tras repasar las superficies, enjuágalas y sécalas bien.

#### Limpieza exterior de asadores instalados en entornos poco frecuentes

Si el asador se encuentra instalado en un entorno particularmente severo, es probable que quieras limpiarlo por fuera más a menudo. La lluvia ácida, los químicos para piscinas y el agua salada pueden causar corrosión superficial. Limpia el exterior del asador con agua tibia mezclada con jabón. Para concluir la limpieza, enjuaga el asador y sécalo bien. Asimismo, puedes aplicar semanalmente algún producto de limpieza de acero inoxidable para evitar la corrosión superficial.

### BANDEJAS DESECHABLES

Perfectas para cubrir el colector y hacer más cómoda y sencilla la limpieza.

### TERMÓMETRO

Pequeño y relativamente barato, este componente es fundamental para conocer rápidamente la temperatura interna de la carne al cocinarla a la parrilla.

### CEPILLO METÁLICO

Imprescindible incluso antes de soñar con una parrillada. Un cepillado rápido de las parrillas calientes evitará que los restos carbonizados de comidas pasadas se adhieran a las comidas presentes.

## EL ASADOR NO SE ENCIENDE

### SÍNTOMA

- Un quemador no se enciende al seguir las instrucciones del sistema de encendido electrónico, descritas en la sección "Operación" de este manual del propietario.

### CAUSA

Existe un problema relacionado con el caudal de gas.

Existe un problema relacionado con el sistema de encendido electrónico.

### SOLUCIÓN

Si el asador no se enciende, el primer paso es determinar si fluye gas hacia los quemadores. Para comprobarlo, sigue las instrucciones descritas en la sección "Uso de un cerillo para determinar si fluye gas hacia los quemadores".

Si el **encendido con cerillo NO DA RESULTADO**, sigue los consejos de resolución de problemas relacionados con el caudal de gas, descritos en la página siguiente.

Si el asador no se enciende, el primer paso es determinar si fluye gas hacia los quemadores. Para comprobarlo, sigue las instrucciones descritas en la sección "Uso de un cerillo para determinar si fluye gas hacia los quemadores".

Si el **encendido con cerillo DA RESULTADO**, sigue las instrucciones descritas en la sección "Comprobación de los componentes del sistema de encendido electrónico".

### Uso de un cerillo para determinar si fluye gas hacia los quemadores

- 1) Abre la tapa del asador.
- 2) Comprueba que los mandos de los quemadores estén todos en la posición de cierre **O**. Asegúrate presionando los mandos y girándolos en el sentido de las agujas del reloj.
- 3) Abre la válvula de suministro de gas.
- 4) Comienza por el quemador situado más a la izquierda. Coloca un cerillo en el soporte para cerillos y préndelo. (El soporte para cerillos se encuentra situado bajo la mesa lateral derecha). Inserta el cerillo encendido a través de las parrillas de cocción y las barras FLAVORIZER, y colócalo junto al quemador **(A)**.
- 5) Presiona el mando de control del quemador correspondiente y giralo en sentido contrario a las agujas del reloj hasta la posición de encendido/fuego alto **(1)**.
- 6) Comprueba que el quemador esté encendido mirando a través de las parrillas de cocción y la abertura semicircular de las barras FLAVORIZER.
- 7) Si el quemador no se enciende antes de 4 segundos, gira el mando de control del quemador hasta la posición de cierre **O** y espera cinco minutos para que el gas se disipe antes de intentar encender de nuevo el quemador. Si el nuevo intento no da resultado, sigue las instrucciones de resolución de problemas relacionados con el caudal de gas, descritas en la página siguiente.
- 8) Si el quemador se enciende, el problema se encuentra en el sistema de encendido. Sigue las instrucciones descritas en la sección "Comprobación de los componentes del sistema de encendido electrónico".
- 9) Vuelve a colgar el soporte para cerillos bajo la mesa lateral derecha **(B)**.

### Comprobación de los componentes del sistema de encendido electrónico

Al presionar el botón de encendido, debes oír varios chasquidos. Si no puedes oír los chasquidos, comprueba la batería y, a continuación, los cables.

#### Comprobación de la batería

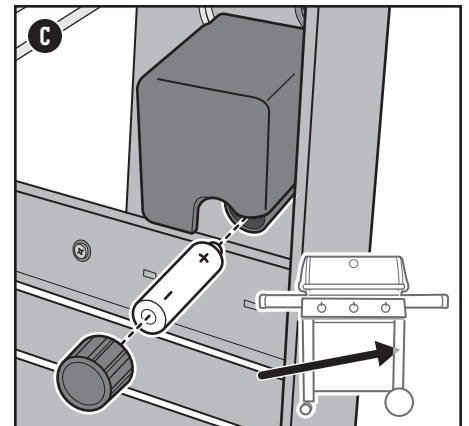
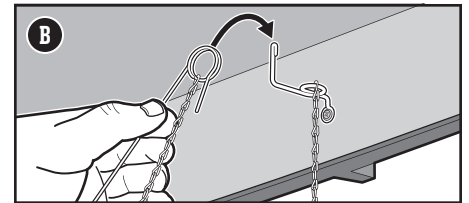
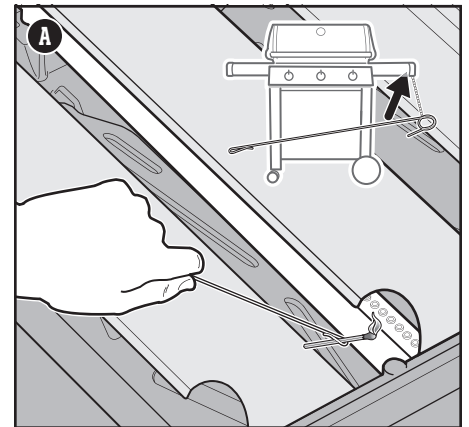
La batería que alimenta el módulo de encendido puede presentar tres problemas que es necesario comprobar:

- 1) Ciertas baterías poseen un envoltorio protector de plástico a su alrededor (no debe confundirse con la etiqueta de la batería). Asegúrate de haber retirado el envoltorio de plástico.
- 2) Comprueba que la batería se encuentre correctamente instalada **(C)**.
- 3) Si la batería es antigua, sustitúyela por una batería nueva.

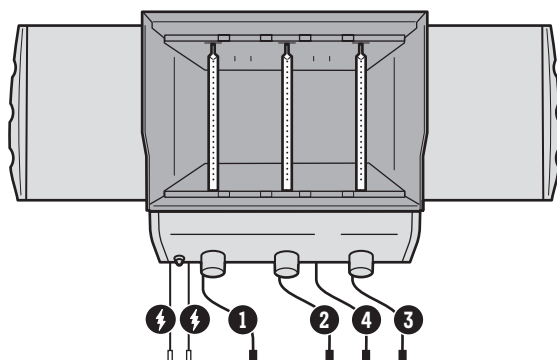
#### Comprobación de los cables

Los cables pueden presentar dos problemas que es necesario comprobar:

- 1) Comprueba que los cables del módulo de encendido estén bien conectados a los terminales del botón de encendido, situados bajo el panel de control.
- 2) Asegúrate de que los cables del módulo de encendido estén bien conectados al módulo de encendido. Los terminales de los cables están codificados por colores según los terminales del módulo de encendido. El número de cables puede variar en función del modelo.



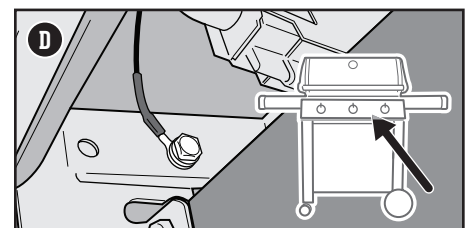
### Esquema de conexiones del módulo de encendido 315



#### Comprobación del cable de tierra

Los modelos 310, 315 y 435 cuentan con un cable de tierra conectado al soporte del distribuidor. Dicho cable se puede ver desde abajo del panel de control **(D)**:

- 1) Revise que el cable de tierra se encuentre bien sujeto con un tornillo.



## CAUDAL DE GAS

### SÍNTOMA

- El asador no alcanza la temperatura deseada o se calienta de manera irregular.
- Uno o más de los quemadores no se encienden.
- Al colocar el mando de control del quemador en la posición de fuego alto, la llama es muy débil.
- Las llamas no cubren toda la longitud del quemador.
- Las llamas del quemador forman un patrón errático.

CAUSA	SOLUCIÓN
La manguera de combustible está doblada o torcida.	Endereza la manguera de combustible.
Los puertos del quemador están sucios.	Limpia los puertos del quemador. Consulta la sección "Limpieza de los puertos de los quemadores".

### SÍNTOMA

- Huele a gas y los quemadores producen llamas de aspecto débil y amarillento.

CAUSA	SOLUCIÓN
Los filtros de arañas de los quemadores están obstruidos.	Limpia los filtros de arañas. Consulta la sección "Limpieza de los filtros de arañas" en el apartado "Mantenimiento del producto". Consulta también las ilustraciones y la información descrita en esta sección en relación con el aspecto que deben presentar las llamas y los filtros de arañas.

## ASADOR GRASIENTO (peladuras de pintura y llamaradas)

### SÍNTOMA

- El interior de la tapa presenta lo que parecen ser peladuras de pintura.

CAUSA	SOLUCIÓN
Los copos que puedes ver son en realidad vapores acumulados que se han convertido en carbón.	Esto sucede con el tiempo, tras el uso repetido del asador, y no constituye un defecto. Limpia la tapa. Consulta la sección "Mantenimiento del producto".

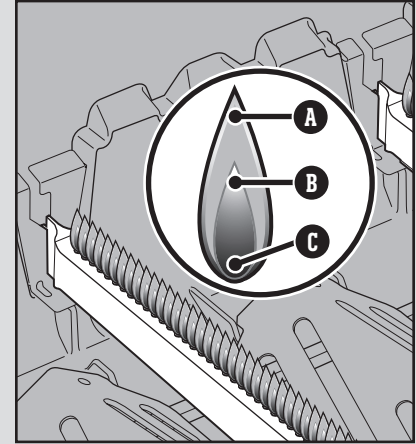
### SÍNTOMA

- Se producen llamaradas al cocinar o precalentar el asador.

CAUSA	SOLUCIÓN
Existen restos de alimentos cocinados anteriormente.	Precalienta siempre el asador con todos los quemadores en la posición de encendido/fuego alto durante 10-15 minutos.
Es necesario realizar una limpieza completa del interior del asador.	Sigue los pasos descritos en la sección "Limpieza y mantenimiento" para limpiar el asador de arriba abajo.

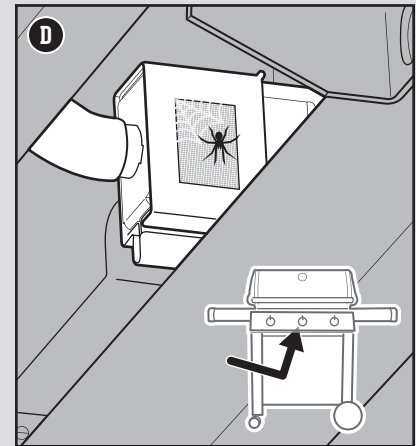
## Aspecto de las llamas que deben generar los quemadores

Los quemadores del asador se ajustan en fábrica para que proporcionen la mezcla correcta de aire y gas. Cuando los quemadores operan correctamente, las llamas presentan un aspecto específico. Como muestra la siguiente ilustración, puede que se produzcan destellos amarillentos en las puntas (A) de las llamas, cuyo cuerpo debe ser de color azul claro por arriba (B) y azul oscuro por abajo (C).



## Filtros de arañas

Las aberturas de aire para combustión de los quemadores (D) cuentan con filtros de acero inoxidable que impiden que las arañas y otros insectos tejan telarañas y construyan nidos en su interior. Los filtros de arañas/insectos pueden impedir el flujo de oxígeno a los quemadores si acumulan polvo y residuos por fuera.



## LLAMA AL SERVICIO DE ATENCIÓN AL CLIENTE





Si sigues experimentando problemas, ponte en contacto con el representante de atención al cliente de tu zona usando la información de contacto disponible en [weber.com](http://weber.com).

⚠ **ADVERTENCIA:** No intente reparar componentes destinados al transporte o la combustión de gas, el encendido o el soporte estructural del asador sin contactar antes con el departamento de atención al cliente de Weber-Stephen Products LLC.

⚠ **ADVERTENCIA:** La ejecución de reparaciones o sustituciones sin emplear piezas Weber-Stephen originales dará lugar a la invalidación de la protección proporcionada por esta garantía.

⚠ **PRECAUCIÓN:** Las aberturas de los tubos de los quemadores deberán posicionarse correctamente sobre los orificios de las válvulas.

## Guía de cocina a la barbacoa

Tipo de alimento	Grosor/peso	Tiempo de cocción total aproximado
<b>CARNE ROJA</b>		
 <b>CARNE ROJA</b>		
<b>Filete:</b> entrecot, Porterhouse, costilla de ternera, T-bone y filet mignon (solomillo)	¾ pulgada (19 mm) de grosor	<b>4-6 minutos</b> fuego alto directo
	1 pulgada (25 mm) de grosor	<b>6-8 minutos</b> fuego alto directo
	2 pulgadas (50 mm) de grosor	<b>14-18 minutos</b> marcar 6-8 minutos a fuego alto directo y, después, mantener 8-10 minutos a fuego alto indirecto
<b>Falda</b>	1½ - 2 libras (0,68-0,90 kg), ¾ pulgada (19 mm) de grosor	<b>8-10 minutos</b> fuego medio directo
<b>Hamburguesa de ternera picada</b>	¾ pulgada (19 mm) de grosor	<b>8-10 minutos</b> fuego medio directo
<b>Solomillo</b>	3 - 4 libras (1,3-1,8 kg)	<b>45-60 minutos</b> 15 minutos a fuego medio directo y, después, mantener 30-45 minutos a fuego medio indirecto
<b>CERDO</b>		
 <b>CERDO</b>		
<b>Bratwurst:</b> salchichas frescas	Tira de 3 onza (85 g)	<b>20-25 minutos</b> fuego bajo directo
	¾ pulgada (19 mm) de grosor	<b>6-8 minutos</b> fuego alto directo
<b>Chuletas:</b> sin hueso o con hueso	1¼ - 1½ pulgadas (31-38 mm) de grosor	<b>10-12 minutos</b> marcar 6 minutos a fuego alto directo y, después, mantener 4-6 minutos a fuego alto indirecto
<b>Costillas:</b> costillar completo, costillas sueltas	3 - 4 libras (1,3-1,8 kg)	<b>1½-2 horas</b> fuego medio indirecto
<b>Costillas:</b> estilo campestre, con hueso	3 - 4 libras (1,3-1,8 kg)	<b>1½-2 horas</b> fuego medio indirecto
<b>Solomillo</b>	1 libra (0,454 kg)	<b>30 minutos</b> marcar 5 minutos a fuego alto directo y, después, mantener 25 minutos a fuego medio indirecto
<b>POLLO</b>		
 <b>POLLO</b>		
<b>Pechuga de pollo:</b> sin hueso, sin piel	6 to 8 onzas (170-226 g)	<b>8-12 minutos</b> fuego medio directo
<b>Muslo de pollo:</b> sin hueso, sin piel	4 onzas (113 g)	<b>8-10 minutos</b> fuego medio directo
<b>Piezas de pollo:</b> con hueso, surtidas	3 to 6 onzas (85-170 g)	<b>36-40 minutos</b> marcar 6-10 minutos a fuego bajo directo y, después, mantener 30 minutos a fuego medio indirecto
<b>Pollo:</b> entero	4 to 5 libras (1,8-2,2 kg)	<b>1-1¼ horas</b> fuego medio indirecto
<b>Gallina de Cornualles</b>	1½ to 2 libras (0,68-0,90 kg)	<b>60-70 minutos</b> fuego medio indirecto
<b>Pavo:</b> entero, sin relleno	10 to 12 libras (4,5-5,4 kg)	<b>2-2½ horas</b> fuego medio indirecto
<b>MARISCO</b>		
 <b>MARISCO</b>		
<b>Pescado, lomo o filete:</b> fletán, pargo rojo, salmón, lubina, pez espada y atún	¾ to 1½ pulgada (6,3-12,7 mm) de grosor	<b>3-5 minutos</b> fuego medio directo
	1 to 1¼ pulgadas (25,4-31,75 mm) de grosor	<b>10-12 minutos</b> fuego medio directo
	1 libra (0,454 kg)	<b>15-20 minutos</b> fuego medio indirecto
<b>Pescado:</b> entero	3 libras (1,36 kg)	<b>30-45 minutos</b> fuego medio indirecto
<b>Gambas</b>	1½ onzas (42,5 g)	<b>2-4 minutos</b> fuego alto directo
<b>VERDURA</b>		
<b>Espárragos</b>	½ inch (12,7 mm) de diámetro	<b>6-8 minutos</b> fuego medio directo
<b>Maíz</b>	Con hojas	<b>25-30 minutos</b> fuego medio directo
	Sin hojas	<b>10-15 minutos</b> fuego medio directo
<b>Setas</b>	Shiitake o champiñón	<b>8-10 minutos</b> fuego medio directo
	Portobello	<b>10-15 minutos</b> fuego medio directo
<b>Cebolla</b>	En mitades	<b>35-40 minutos</b> fuego medio indirecto
	Rodajas de ½ inch (12,7 mm)	<b>8-12 minutos</b> fuego medio directo
<b>Patata</b>	Entera	<b>45-60 minutos</b> fuego medio indirecto
	Rodajas de ½ inch (12,7 mm)	<b>9-11 minutos</b> escaldar 3 minutos y, después, mantener 6-8 minutos a fuego medio directo

Los cortes, grosores, pesos y tiempos de cocción anteriores son sólo directrices orientativas. Factores como la altitud, el viento y la temperatura exterior pueden afectar a los tiempos de cocción. Dos reglas generales: cocine la carne, los lomos de pescado, las piezas de pollo sin hueso y las verduras empleando el método directo durante el tiempo indicado en la tabla (o hasta conseguir el punto de cocción deseado), dando la vuelta al alimento a la mitad del tiempo de cocción; cocine los asados, los pollos enteros, las piezas de pollo con hueso, los pescados enteros y los cortes más gruesos empleando el método indirecto durante el tiempo indicado en la tabla (o hasta que el termómetro indique la temperatura interna deseada). Los tiempos de cocción indicados para la carne de ternera y cordero se corresponden con la definición de cocción "al punto", a menos que se indique lo contrario. Antes de trincar, deje que sus asados, cortes grandes de carne, chuletas o filetes gruesos reposen durante 5-10 minutos después de cocinarlos. La temperatura interna de la carne aumentará unos 5-10 grados en ese tiempo.



La marca denominativa Bluetooth® y los logotipos asociados a la misma son marcas comerciales registradas en propiedad de Bluetooth SIG, Inc.; el uso de tales marcas por parte de Weber-Stephen Products LLC tiene lugar con autorización. El resto de marcas y nombres comerciales pertenecen a sus respectivos propietarios.

© 2018 Diseñado y creado por Weber-Stephen Products LLC, 1415 S. Roselle Road, Palatine, Illinois 60067 (EE. UU.).

# GENESIS II

E-315 • CSE-315 • CSS-315



## Téléchargez l'application Weber Grills!

Pour commencer, profitez de l'application gratuite Weber Grills. L'application Weber répondra à toutes vos questions en matière de cuisson sur le grill, et vous guidera à chaque étape, de l'installation du réservoir à gaz à votre premier barbecue. Personnalisez-la selon votre modèle (et vos goûts) en répondant à quelques questions simples afin d'enregistrer votre appareil.

- Réglage du barbecue et installation du réservoir à gaz
- Guides et méthodes de cuisson
- Minuteries et outils
- Recettes pour tous les goûts
- Menus et recettes de saison



## Consignes de sécurité importantes

Les mentions **DANGER**, **AVERTISSEMENT** et **PRUDENCE** sont utilisées dans le présent manuel afin de souligner des éléments d'information particulièrement importants. Lisez et respectez ces consignes afin d'assurer la sécurité et de prévenir les dommages matériels. Voici la définition de chacune des mentions.

- ⚠ **DANGER** : Indique une situation dangereuse qui, si elle n'est pas évitée, **entraînera la mort ou des blessures graves**.
- ⚠ **AVERTISSEMENT** : Indique une situation dangereuse qui, si elle n'est pas évitée, **peut entraîner la mort ou des blessures graves**.
- ⚠ **PRUDENCE** : Indique une situation dangereuse qui, si elle n'est pas évitée, **peut entraîner des blessures mineures ou modérées**.

**⚠ DANGER**

**S'il y a une odeur de gaz :**

- Coupez l'admission de gaz de l'appareil.
- Éteindre toute flamme nue.
- Ouvrir le couvercle.
- Si l'odeur persiste, éloignez-vous de l'appareil et appelez immédiatement le fournisseur de gaz ou le service d'incendie.

**⚠ AVERTISSEMENT**

- Ne pas entreposer ni utiliser de l'essence ni d'autres vapeurs ou liquides inflammables dans le voisinage de l'appareil, ni de tout autre appareil.
- Une bouteille de propane qui n'est pas raccordée en vue de son utilisation, ne doit pas être entreposée dans le voisinage de cet appareil ou de tout autre appareil.

**UTILISATION À L'EXTÉRIEUR SEULEMENT.**

**LISEZ LES INSTRUCTIONS AVANT D'UTILISER LE BARBECUE.**

**REMARQUE À L'INSTALLATEUR :** Laissez les présentes instructions au propriétaire.

**REMARQUE AU PROPRIÉTAIRE :** Conservez ces instructions à titre de référence.

## Installation et assemblage

- ⚠ **DANGER** : Ce barbecue n'a pas été conçu pour être installé sur un véhicule de plaisance ni sur un bateau.
- ⚠ **AVERTISSEMENT** : Utilisez ce barbecue uniquement une fois que l'assemblage des pièces est terminé conformément aux instructions d'assemblage.
- ⚠ **AVERTISSEMENT** : N'installez pas ce barbecue dans un espace encastré ni dans un aménagement sur glissières.
- ⚠ **AVERTISSEMENT** : Ne modifiez pas le barbecue. Le propane liquide n'est pas du gaz naturel. Toute tentative de conversion ou d'utilisation du gaz naturel dans un appareil au propane liquide ou vice versa est non sécuritaire et entraîne l'annulation de la garantie.
- ⚠ **AVERTISSEMENT** : N'acheminez pas le flexible de trois mètres (dix pieds) sous une terrasse, car il doit demeurer visible.
- **NOUS RECOMMANDONS DE CONFIER L'INSTALLATION DE CE BARBECUE AU GAZ NATUREL À UN PROFESSIONNEL.**

- Vérifiez que la conduite d'alimentation entre la maison et le barbecue est correctement installée avant d'utiliser l'appareil.
- Aux États-Unis, l'installation doit être conforme aux codes locaux en vigueur. En l'absence de codes locaux, les codes applicables selon le type d'appareil sont les suivants : le *National Fuel Gas Code* (ANSI Z223.1/NFPA 54), le *Natural Gas and Propane Installation Code* (CSA B149.1) ou le *Propane Storage and Handling Code* (B149.2). Pour les véhicules de plaisance, les codes sont : le *Standard on Recreational Vehicles* (ANSI A119.2/NFPA 1192) et le *Recreational Vehicle Code* (CSA Z240 RV Series).
- Au Canada, l'installation de ce barbecue doit être conforme aux codes locaux en vigueur et à la version la plus récente du *Code de stockage et de maintenance du propane* (CAN/CSA-B149.2). Les présentes instructions, bien que généralement acceptables, ne respectent pas nécessairement toutes les dispositions des codes canadiens en matière d'installation, notamment quant aux conduites hors terre et souterraines.
- Au Mexique, en l'absence de code local, vous devez vous conformer à la plus récente version de la norme officielle mexicaine (NOM).
- Si une source électrique externe est utilisée (par exemple, une rôtissoire), celle-ci doit être mise à la terre conformément aux codes locaux en vigueur ou, en l'absence de tels codes, au *National Electrical Code* (ANSI/NFPA 70) ou au *Code canadien de l'électricité*, 1<sup>re</sup> partie, CSA C22.1.

## Fonctionnement

- ⚠ **DANGER** : Utilisez le barbecue à l'extérieur seulement, dans un endroit bien aéré. Ne l'utilisez pas dans un garage, un immeuble, un passage recouvert, une tente ni tout autre endroit couvert ou toute installation couverte de matériaux combustibles.
- ⚠ **DANGER** : N'utilisez pas le barbecue dans un véhicule ni dans l'espace de rangement ou de stockage d'un véhicule, quel qu'il soit. Cela comprend, sans toutefois s'y limiter, les voitures, les camions, les voitures familiales, les fourgonnettes, les utilitaires sport, les véhicules de plaisance et les bateaux.
- ⚠ **DANGER** : N'utilisez pas le barbecue à moins de 61 cm (24 po) de matériaux combustibles. Cette distance doit être respectée au-dessus, en dessous, à l'arrière et aux côtés de l'appareil.
- ⚠ **DANGER** : Assurez-vous de l'absence de vapeurs et de liquides inflammables (essence, alcool, etc.) ainsi que de matériaux combustibles à proximité de la zone de cuisson.
- ⚠ **DANGER** : Lorsqu'il est en fonction, ce barbecue doit être maintenu à distance de tout matériau inflammable.
- ⚠ **DANGER** : Ne placez pas de housse ni d'objets inflammables sur le barbecue ou dans l'espace de rangement sous le barbecue lorsque ce dernier fonctionne ou est chaud.

- ⚠ **DANGER** : En cas de feu de friture, fermez tous les brûleurs et laissez le couvercle fermé jusqu'à ce que le feu soit éteint.
- ⚠ **AVERTISSEMENT** : Certaines parties accessibles peuvent devenir très chaudes. Gardez les enfants à distance.
- ⚠ **AVERTISSEMENT** : L'usage d'alcool, de médicaments d'ordonnance ou sans ordonnance ainsi que de drogues illégales peut altérer les capacités de l'utilisateur et l'empêcher d'assembler, de déplacer, de ranger ou d'utiliser le barbecue d'une manière adéquate et sécuritaire.
- ⚠ **AVERTISSEMENT** : Ne laissez jamais le barbecue sans surveillance lorsqu'il est en préchauffage ou en fonction. Faites preuve de prudence lorsque vous utilisez ce barbecue. L'ensemble du compartiment à cuisson devient chaud durant la cuisson.
- ⚠ **AVERTISSEMENT** : Ne déplacez pas le barbecue lorsqu'il est en fonction.
- ⚠ **AVERTISSEMENT** : Gardez tout cordon d'alimentation électrique et tuyau d'alimentation en combustible à l'écart des surfaces chauffées.

- N'utilisez ni charbon de bois ni pierre de lave dans le barbecue.
- Ce barbecue est fabriqué en usine pour fonctionner au gaz naturel seulement. Ne tentez jamais d'alimenter votre barbecue à l'aide de gaz autres que celui indiqué sur les plaques signalétiques de l'appareil.

## Entreposage et non-utilisation

- ⚠ **AVERTISSEMENT** : Fermez la vanne d'alimentation lorsque vous n'utilisez pas le barbecue.
- ⚠ **AVERTISSEMENT** : Avant d'utiliser le barbecue après une certaine période d'entreposage ou de non-utilisation, assurez-vous qu'il n'y a aucune fuite de gaz ni aucune obstruction des brûleurs.
- Vous pouvez entreposer le barbecue à l'intérieur seulement si le barbecue n'est pas branché à la conduite d'alimentation en gaz.

## Proposition 65, Californie

- ⚠ **AVERTISSEMENT** : Les sous-produits de la combustion libérés lors de l'utilisation de cet appareil contiennent des produits chimiques reconnus par l'État de la Californie comme des causes de cancer, d'anomalies congénitales ou d'autres dangers pour le système de reproduction.
- ⚠ **PROPOSITION 65 AVERTISSEMENT** : La manipulation des composantes en laiton de cet appareil est susceptible de vous exposer à du plomb, un produit chimique reconnu par l'État de la Californie comme une cause de cancer, d'anomalies congénitales ou d'autres dangers pour le système de reproduction. *Lavez-vous les mains après avoir manipulé cet appareil.*



# Bonjour et bienvenue au sein de la famille Weber!

Veuillez vous assurer de lire le présent Guide d'utilisation et de télécharger l'application gratuite Weber Grills afin de commencer à cuisiner le plus rapidement possible. L'application Weber Grills est la solution pour maîtriser l'art du barbecue. Qu'il s'agisse de l'installation du réservoir à gaz, de recettes ou de fonctionnalités personnalisables, l'application est l'endroit où vous entamerez votre exploration du monde des grillades – et ne voudrez plus en ressortir.

Nous vous remercions d'avoir choisi Weber.

## TABLE DES MATIÈRES

- 38 Bienvenue dans la famille Weber  
Consignes de sécurité importantes
- 40 La promesse Weber  
Garantie
- 41 Caractéristiques de l'appareil  
GENESIS II Caractéristiques  
Système de grillades haute performance GS4
- 42 Trucs et astuces  
La cuisson directe ou indirecte  
Les pratiques du barbecue
- 44 Pour commencer  
Renseignements importants sur les branchements de gaz naturel et de gaz  
Raccordement du flexible et vérification des fuites
- 48 Fonctionnement  
Première utilisation de votre barbecue  
À chaque utilisation de votre barbecue  
Allumage du barbecue
- 50 Entretien de l'appareil  
Nettoyage et entretien
- 52 Dépannage
- 54 Guide de cuisson
- 55 Pièces de remplacement

## La promesse WEBER

Tout le monde à WEBER est fier de fabriquer des barbecues durables et d'offrir un excellent service à la clientèle.

### Garantie

Merci d'avoir acheté un produit WEBER. Weber-Stephen Products LLC, 1415 S. Roselle Road, Palatine, Illinois 60067 et ses unités commerciales en Amérique (« WEBER ») sont fiers de vous offrir un produit fiable, durable et sécuritaire.

Cette garantie volontaire de la part de WEBER vous est offerte sans frais supplémentaires. Elle contient les renseignements dont vous aurez besoin pour faire réparer ou remplacer votre produit WEBER dans le cas improbable d'une défaillance ou d'un défaut.

En vertu des lois applicables, le propriétaire dispose de plusieurs droits en cas de défectuosité du produit. Parmi ces droits, notons le droit à un rendement supérieur ou au remplacement, une remise sur le prix d'achat et une compensation. Ces droits et les autres droits légaux ne sont pas affectés par cette disposition de garantie. En fait, la présente garantie accorde des droits supplémentaires au propriétaire, indépendamment des dispositions réglementaires de la garantie.

### Garantie de WEBER

WEBER garantit à l'acheteur d'un produit WEBER (ou, s'il s'agit d'un cadeau ou d'une promotion, à la personne pour laquelle il a été acheté comme cadeau ou article promotionnel) (le « propriétaire »), que le produit est exempt de défauts de matériel et de main-d'œuvre pour dix (10) ans à compter de la date d'achat lorsqu'il est assemblé et utilisé conformément au manuel du propriétaire fourni, à l'exception de l'usure normale. (Remarque : Si vous perdez votre mode d'emploi WEBER, vous pouvez vous en procurer une copie en ligne sur [www.weber.com](http://www.weber.com).) En vertu de cette garantie, WEBER accepte de réparer ou remplacer la pièce défectueuse en raison d'un vice de matériaux ou de fabrication, soumis aux restrictions et exclusions applicables énumérées ci-dessous. **DANS LA MESURE AUTORISÉE PAR LA LOI APPLICABLE, CETTE GARANTIE N'EST ACCORDÉE QU'À L'ACHETEUR INITIAL ET N'EST PAS TRANSFÉRABLE AUX PROPRIÉTAIRES SUBSÉQUENTS, SAUF S'IL S'AGIT D'UN CADEAU OU ARTICLE PROMOTIONNEL, TEL QU'EXPLIQUÉ CI-DESSUS.**

WEBER est fier de ses produits et vous offre la garantie décrite pour les vices de matériaux sur la grille ou toutes ses composantes, à l'exception de l'usure normale.

- « L'usure normale » inclut la détérioration cosmétique ou toute autre détérioration découlant de l'utilisation de votre barbecue, tels que la rouille, les entailles et rayures, etc.

Cependant, WEBER honorera cette garantie pour le barbecue ou ses pièces lorsque le dommage ou le dysfonctionnement résulte d'un défaut matériel.

- Les « vices de matériaux » incluent la rouille ou la brûlure de certaines pièces, ou encore tout autre dommage ou toute autre défaillance pouvant affecter votre capacité à utiliser votre barbecue correctement ou en toute sécurité.

### Responsabilités du propriétaire en vertu de la garantie et exclusions de la garantie

Pour éviter tout problème lié à la garantie, il est important (mais non obligatoire) d'enregistrer votre produit WEBER en ligne au [www.weber.com](http://www.weber.com). Veuillez également conserver votre facture d'achat. L'enregistrement de votre produit WEBER confirme la protection accordée par la garantie, permet d'accélérer toute réclamation en vertu de la garantie, et établit un lien direct entre vous et WEBER au cas où nous aurions à vous joindre. Si vous n'avez pas eu le temps d'enregistrer votre barbecue avant de communiquer avec le service de garantie, veuillez avoir sous la main les informations suivantes pendant votre appel : Nom – Adresse – Numéro de téléphone – Courriel – Numéro de série – Date d'achat – Vendeur autorisé – Modèle – Couleur – Principal Problème

La garantie ci-dessus s'applique uniquement si le propriétaire prend raisonnablement soin du produit WEBER en suivant les consignes d'assemblage, d'utilisation et d'entretien préventif dont il est fait mention dans le manuel du propriétaire, sauf si le propriétaire peut prouver que la défaillance ou le défaut est survenu indépendamment du non-respect des obligations mentionnées ci-dessus. Si vous vivez dans une zone côtière ou que votre produit est installé près d'une piscine, l'entretien inclut le nettoyage et le rinçage régulier des surfaces extérieures, tel qu'expliqué dans le mode d'emploi ci-joint.

Cette GARANTIE est annulée si les dommages, la détérioration, la décoloration et la rouille sont causés par :

- L'utilisation abusive, la modification, le mauvais usage, le vandalisme, la négligence, un assemblage ou une installation inadéquat (e) ou toute négligence concernant l'entretien régulier;
- Des insectes (comme des araignées) et rongeurs (comme des écureuils), comprenant, sans s'y limiter, tout dommage aux brûleurs ou conduites de gaz;
- L'exposition à l'air salin ou à des sources de chlore comme des piscines, jacuzzi et spas;
- Des conditions météorologiques extrêmes comme la grêle, un ouragan, un séisme, un tsunami, un raz-de-marée, une tornade ou un orage violent;
- Les pluies acides et d'autres facteurs environnementaux

En cas d'utilisation ou d'installation de pièces qui ne sont pas authentiques sur votre produit WEBER, cette garantie sera annulée par WEBER et aucun dommage résultant ne sera couvert par celle-ci. Toute conversion non autorisée d'un barbecue au gaz par WEBER et effectuée par un technicien autorisé par WEBER annulera cette garantie.

### Traitement de la garantie

Si vous croyez qu'une pièce est couverte par cette garantie, veuillez contacter le service à la clientèle de WEBER dont les coordonnées sont affichées sur notre site web ([www.weber.com](http://www.weber.com)). Après enquête, WEBER réparera ou remplacera (à sa discrétion) toute pièce défectueuse couverte par cette garantie. Si la réparation ou le remplacement est impossible, WEBER peut choisir (à sa discrétion) de remplacer le barbecue en question par un nouveau, de valeur égale ou supérieure. WEBER peut vous demander de retourner les pièces pour inspection. Les frais d'expédition doivent être prépayés par le propriétaire.

Veuillez avoir à portée de main les renseignements suivants lorsque vous contactez le service à la clientèle : Nom – Adresse – Numéro de téléphone – Courriel – Numéro de série – Date d'achat – Vendeur autorisé – Modèle – Couleur – Principal Problème

### Avis de non-responsabilité

OUTRE LA GARANTIE ET LES CLAUSES DE NON-RESPONSABILITÉ DÉCRITES DANS CETTE DÉCLARATION DE GARANTIE, IL N'EXISTE EXPLICITEMENT AUCUNE AUTRE GARANTIE OU DÉCLARATION VOLONTAIRE DE RESPONSABILITÉ FIGURANT ICI ALLANT AU-DELÀ DE LA RESPONSABILITÉ LÉGALE APPLICABLE À WEBER. LA PRÉSENTE DÉCLARATION DE GARANTIE NE LIMITE NI N'EXCLUT LES SITUATIONS OU REQUÊTES POUR LESQUELLES WEBER A UNE RESPONSABILITÉ OBLIGATOIRE EN VERTU DE LA LÉGISLATION.

AUCUNE GARANTIE NE S'APPLIQUERA APRÈS LA PÉRIODE DE DIX (10) ANS COUVERTE PAR CETTE GARANTIE. AUCUNE AUTRE GARANTIE ACCORDÉE PAR UN TIERS, Y COMPRIS UN DÉTAILLANT OU REVENDEUR, AU SUJET DE QUELQUE PRODUIT QUE CE SOIT (COMME UNE « EXTENSION DE GARANTIE »), N'ENGAGE WEBER. L'UNIQUE RECOURS EN VERTU DE CETTE GARANTIE EST LA RÉPARATION OU LE REMPLACEMENT DE LA PIÈCE OU DU PRODUIT.

LE RECOUVREMENT EN VERTU DE CETTE GARANTIE VOLONTAIRE NE SERA EN AUCUN CAS SUPÉRIEUR AU PRIX D'ACHAT DU PRODUIT WEBER VENDU.

VOUS DEVREZ ASSUMER LES RISQUES ET LA RESPONSABILITÉ EN CAS DE PERTE, DE DOMMAGE, OU DE BLESSURE OCCASIONNÉ(E) À VOUS ET VOS BIENS ET/OU À D'AUTRES ET LEURS BIENS EN RAISON D'UNE MAUVAISE UTILISATION OU D'UNE UTILISATION ABUSIVE DU PRODUIT OU LE NON-RESPECT DES INSTRUCTIONS FOURNIES PAR WEBER DANS LE MANUEL DU PROPRIÉTAIRE FOURNI À L'ACHAT.

LES PIÈCES ET ACCESSOIRES REMPLACÉS DANS LE CADRE DE LA PRÉSENTE GARANTIE SONT GARANTIS UNIQUEMENT POUR LE RESTE DES DIX (10) ANNÉES D'ORIGINE DE LA PÉRIODE DE GARANTIE.

LA PRÉSENTE GARANTIE S'APPLIQUE UNIQUEMENT À UNE UTILISATION DANS UN SEUL DOMICILE PRIVÉ, UNE SEULE MAISON OU UN SEUL APPARTEMENT. ELLE NE S'APPLIQUE PAS AUX BARBECUES WEBER UTILISÉS DANS UN CONTEXTE COMMERCIAL, COMMUNAL OU À PLUSIEURS UNITÉS, COMME DES RESTAURANTS, HÔTELS, COMPLEXES OU ÉTABLISSEMENTS LOCATIFS.

WEBER PEUT PARFOIS MODIFIER LA CONCEPTION DE SES PRODUITS. AUCUN ÉLÉMENT DE CETTE GARANTIE NE SAURAIT ÊTRE INTERPRÉTÉ COMME UNE OBLIGATION POUR WEBER D'INCORPORER CES MODIFICATIONS DE CONCEPTION DANS DES PRODUITS FABRIQUÉS AUPARAVANT; CES MODIFICATIONS NE POURRONT PAS NON PLUS ÊTRE INTERPRÉTÉES COMME UN AVEU QUE LES CONCEPTIONS PRÉCÉDENTES ÉTAIENT DÉFECTUEUSES.

**Weber-Stephen Products LLC**  
Centre de service à la clientèle  
1415, S. Roselle Road  
Palatine, IL 60067  
ÉTATS-UNIS.

Pour obtenir des pièces de remplacement, composez le :  
1-800-446-1071



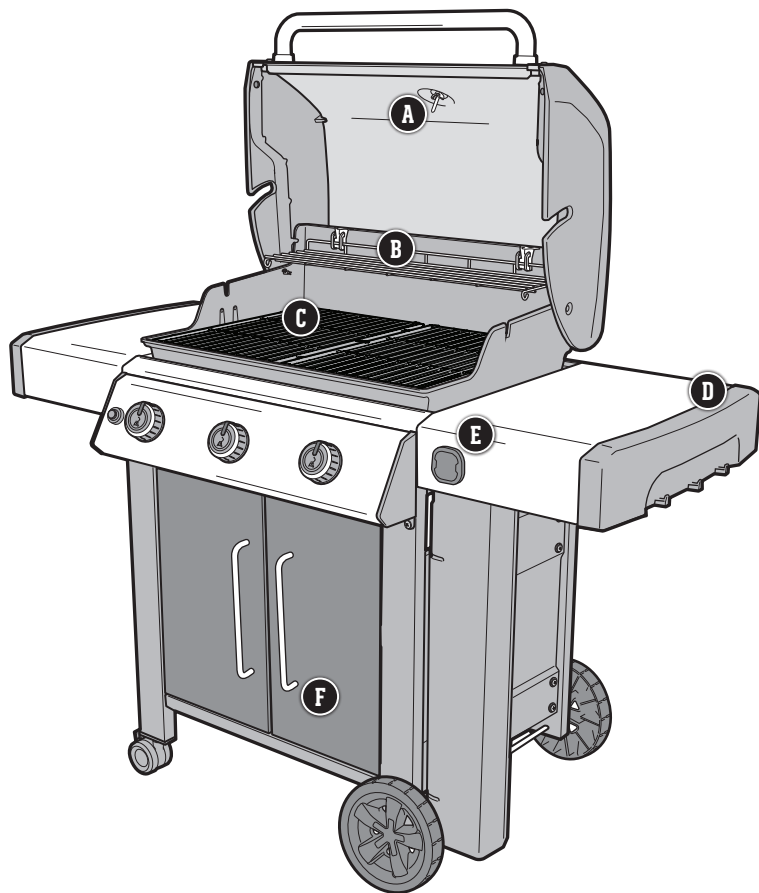
## PROTÉGEZ VOTRE INVESTISSEMENT

Protégez votre barbecue des éléments grâce à une housse robuste de qualité supérieure.



# GENESIS II

## CARACTÉRISTIQUES



### A Thermomètre intégré

Connaître la température à l'intérieur de votre barbecue vous permet d'ajuster la chaleur au besoin.

### B Grille de réchauffage Tuck-Away

La grille de réchauffage garde les aliments au chaud ou permet de griller les pains pendant que l'on termine la cuisson du repas principal. Lorsque la grille ne sert pas, la rabattre permet un rangement facile.

### C Grilles de cuisson en fonte émaillée

Les grilles de cuisson en fonte émaillée offrent une distribution uniforme de la chaleur sur toute la surface de cuisson et une rétention thermique supérieure. Les modèles CSE-315 et CSS-315 sont équipés de grilles en acier inoxydable.

### D Tablettes latérales avec porte-accessoires intégré

Utiliser la tablette latérale pour garder plateaux, assaisonnements et ustensiles à portée de main. Accrocher les ustensiles indispensables sur les crochets pour y avoir accès facilement et bien organiser votre espace de travail en plein air.

### E Modèle compatible avec l'iGRILL 3

Le thermomètre iGrill 3 connecté à son application surveille la cuisson des aliments du début à la fin et vous permet de voir la température en temps réel sur votre appareil mobile. Accessoire vendu séparément.

### F Chariot à rangement fermé

Le chariot à rangement fermé du barbecue ajoute un espace pour mettre à l'abri tous les outils et les accessoires essentiels à vos grillades.

## SYSTÈME DE GRILLADES HAUTE PERFORMANCE GS4



Le système de grillades haute performance GS4 établit la norme dans le monde de la cuisson au gaz, et classe Weber dans une catégorie à part. Ce système novateur se fonde sur plus de 65 ans d'expérience de cuisson au barbecue, d'expertise culinaire, et plus important encore, sur les besoins et volontés des gens qui comptent le plus : notre communauté d'amateurs de barbecue. Chaque composant du système GS4 a été spécialement conçu pour être facile à utiliser et offrir une expérience de cuisine en plein air sans pareille.

### 1 Module d'allumage Infinity



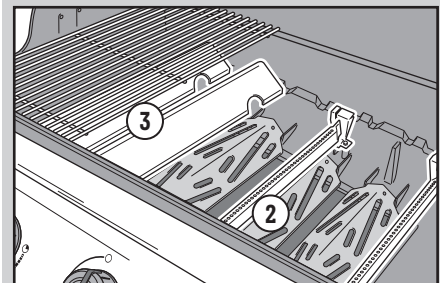
Le module Infinity vous garantit un allumage réussi. Vous avez donc l'assurance que votre barbecue s'allumera chaque fois du premier coup.

### 2 Brûleurs

La forme unique en fuseau offre un flux de gaz constant, de l'avant vers l'arrière. Il en résulte une distribution de chaleur optimale assurant la cuisson uniforme des aliments sur toute la surface des grilles.

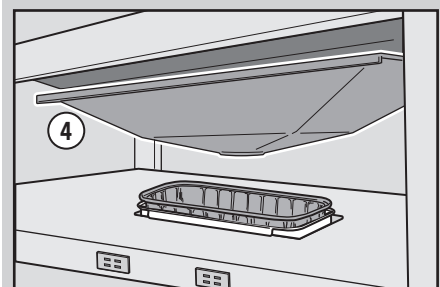
### 3 Flavorizer Bars (Barre Flavorizer)

Les Flavorizer Bars (Barre Flavorizer) en acier inoxydable sont conçues selon un angle parfait pour recueillir les coulures qui grésillent et fument, de façon à ajouter cette irrésistible saveur fumée dont nous raffolons tous.



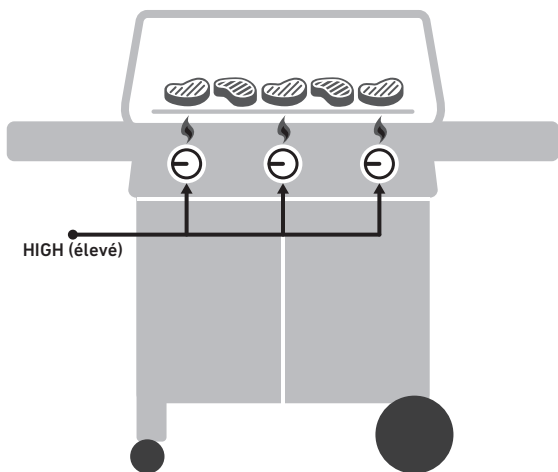
### 4 Système de gestion des graisses

Les coulures non vaporisées par les Flavorizer Bars (Barre Flavorizer) sont canalisées loin des brûleurs jusqu'à la barquette jetable située dans le bac de récupération amovible sous la cuve de cuisson. On retire simplement le bac de récupération et remplace la barquette au besoin.



# La cuisson directe ou indirecte

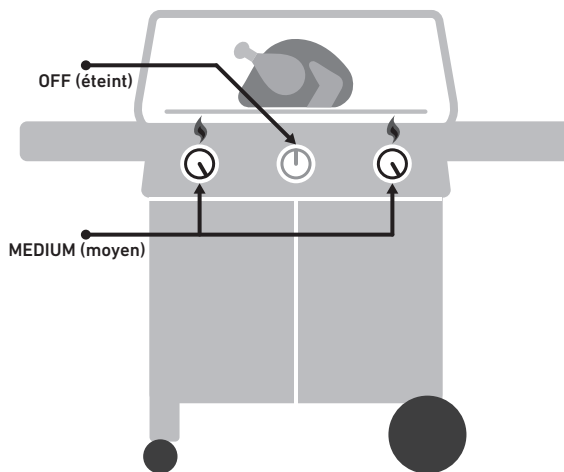
## MÉTHODE DE CUISSON DIRECTE



Utilisez la méthode de cuisson directe pour les morceaux petits et tendres nécessitant moins de 20 minutes de cuisson, comme les hamburgers, les biftecks, les côtelettes, les chiches-kébabs, les morceaux de poulet désossés, les filets de poisson, les fruits de mer et les légumes coupés.

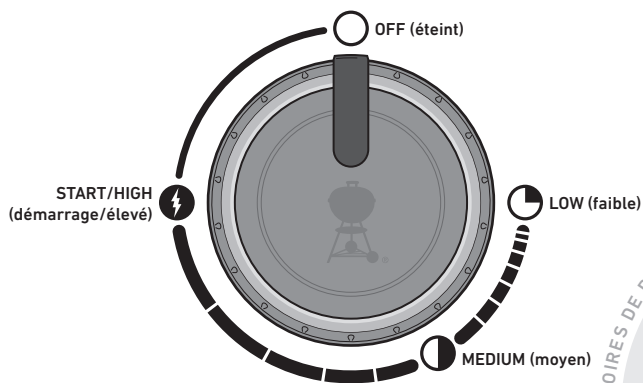
Une cuisson directe signifie que la flamme se trouve juste en dessous des aliments. Elle saisit la surface de la nourriture, la caramélise et accentue les saveurs ainsi que la texture tout en la cuisant jusqu'au centre.

## MÉTHODE DE CUISSON INDIRECTE



Appliquez la méthode de cuisson indirecte pour les grandes pièces de viande nécessitant plus de 20 minutes de cuisson ou pour les aliments délicats qu'une exposition directe aux flammes assècherait ou brûlerait, comme les rôtis, les morceaux de volaille non désossés, les poissons entiers, les filets de poisson fragiles, les poulets entiers, les dindes et les côtes levées. La chaleur indirecte peut également servir à terminer la cuisson d'aliments plus épais ou de morceaux non désossés ayant été saisis ou dorés par une chaleur directe.

La chaleur indirecte provient des deux côtés du barbecue ou uniquement d'un côté. Les aliments sont placés sur la grille de cuisson, au-dessus de la partie éteinte de l'appareil.



ACCESSOIRES DE BARBECUE ESSENTIELS • ACCESSOIRES DE BARBECUE ESSENTIELS • ACCESSOIRES DE BARBECUE ESSENTIELS • ACCESSOIRES DE BARBECUE ESSENTIELS



### MITAINES POUR BARBECUE

En cas de doute, portez-les. Les bonnes mitaines sont isolées et protègent à la fois les mains et les avant-bras.



### MINUTERIE

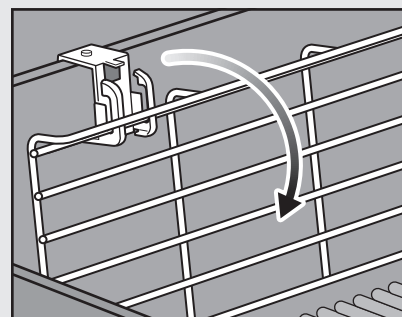
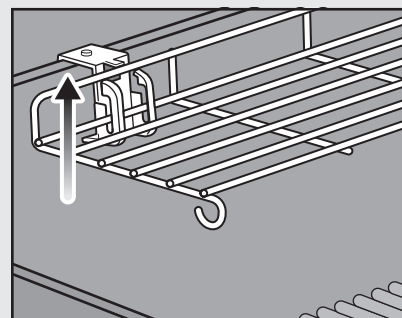
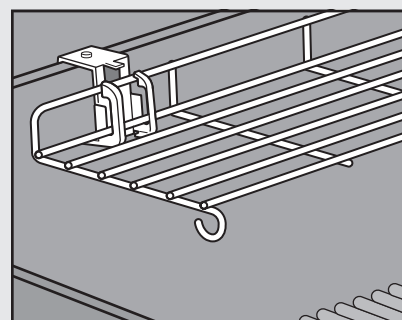
Évitez la déception de brûler votre repas en vous servant tout simplement d'une minuterie. Trouvez-en une qui est fiable et, surtout, simple à utiliser.

# Les pratiques du barbecue

## Optimisation de la surface de cuisson

### Utilisation de la grille-réchaud TUCK-AWAY

La grille-réchaud permet de garder les aliments au chaud. Rabattez-la lorsqu'elle ne sert pas. Pour ce faire, soulevez légèrement la grille et faites-la pivoter vers le bas. Portez des mitaines ou des gants résistant à la chaleur lorsque vous ajustez la grille.



### Préchauffez toujours votre barbecue.

Si les grilles de cuisson ne sont pas assez chaudes, les aliments colleront, et vous n'aurez probablement pas la chance de bien les saisir ni de créer ces superbes marques de grillade. Même si une recette indique une chaleur moyenne ou faible, préchauffez toujours le barbecue au réglage le plus élevé. Ouvrez le couvercle, allumez le barbecue, fermez le couvercle, puis laissez la grille de cuisson se réchauffer pendant environ 10 minutes ou jusqu'à ce que le thermomètre du couvercle atteigne 260 °C (500 °F).

### Ne cuisinez pas sur des grilles sales.

Il faut toujours nettoyer les grilles de cuisson avant d'y déposer des aliments. Les résidus agissent comme de la colle sur les grilles et compliquent la cuisson des nouveaux aliments. Pour éviter de goûter le repas de la veille, assurez-vous de travailler sur des grilles propres. Une fois les grilles préchauffées, utilisez une brosse à poils en acier inoxydable pour bien nettoyer la surface et la rendre lisse.

### Demeurez près du barbecue pendant son utilisation.

Avant d'allumer votre appareil, assurez-vous que tout est à portée de main : vos accessoires essentiels, les aliments déjà graissés et assaisonnés, les glaces ou les sauces ainsi que des plateaux propres pour la nourriture cuite. Si vous retournez constamment dans votre cuisine, vous raterez tout le plaisir, et vos aliments risquent de brûler. Les chefs français appellent cette façon de faire la « mise en place ». Nous l'appelons « être prêt et présent ».

### Laissez-vous un peu d'espace.

Placer trop de nourriture sur les grilles de cuisson limite votre souplesse. Laissez au moins un quart de la surface des grilles libre, avec assez d'espace entre chaque aliment, afin d'être en mesure d'utiliser les pinces et de déplacer facilement la nourriture. Il faut parfois prendre rapidement des décisions et, pour cela, il faut être en mesure de déplacer les aliments d'un endroit à un autre. Laissez-vous donc assez d'espace pour travailler.

### Essayez de ne pas ouvrir le couvercle.

Le couvercle de votre barbecue ne sert pas uniquement à protéger votre repas de la pluie. Il empêche surtout l'entrée d'une trop grande quantité d'air, et il réduit la chaleur et la fumée qui s'échappent. Lorsque le couvercle est fermé, les grilles de cuisson sont plus chaudes, le temps de cuisson est réduit, le goût de fumée est plus prononcé et les embrasements sont plus rares. En résumé, fermez le couvercle!

### Tournez les aliments une seule fois.

Quoi de mieux qu'un bifteck juteux bien saisi et joliment caramélisé? Le secret pour y arriver est de laisser vos aliments en place. Nous avons parfois tendance à les tourner avant qu'ils atteignent le degré désiré de coloration et de saveur. Vous devriez presque toujours tourner vos aliments une seule fois. Si vous les tournez souvent, vous ouvrez probablement le couvercle trop souvent, ce qui cause d'autres problèmes. Détendez-vous et ayez confiance en votre barbecue.

### Sachez quand réduire l'intensité des flammes.

Parfois, la chose la plus importante est de savoir quand s'arrêter. Rien de plus fiable qu'un thermomètre à lecture instantanée pour évaluer si vos aliments sont prêts. Ce petit bijou vous aidera à déterminer le moment exact où vos aliments sont les plus savoureux.

### N'ayez pas peur de faire des essais.

Dans les années 1950, la cuisson sur barbecue signifiait une seule chose : de la viande (et seulement de la viande) carbonisée par des flammes nues. Le chef moderne n'a pas besoin d'une cuisine pour préparer un repas complet. Utilisez votre barbecue pour créer des hors-d'œuvre, des plats d'accompagnement et même des desserts grillés. Enregistrez votre barbecue pour recevoir du contenu spécial qui vous inspirera. Nous aimerions vous accompagner dans votre exploration.

## Renseignements importants sur les branchements de gaz naturel et de gaz

### Qu'est-ce que le gaz naturel?

Le gaz naturel est un mélange gazeux combustible de composés hydrocarbonés que l'on trouve généralement dans de profonds réservoirs souterrains formés de roches poreuses. Il s'agit d'un combustible fossile composé essentiellement de méthane. Votre service public local vous approvisionne en gaz naturel par l'intermédiaire d'un réseau de conduites souterraines.

### Spécifications générales

- Les barbecues à trois brûleurs sont conçus pour fonctionner à une pression de 1,74 kPa (7 po de colonne d'eau).
- Les barbecues à quatre brûleurs sont conçus pour fonctionner à une pression de 1,12 kPa (4,5 po de colonne d'eau).
- Il est possible d'installer le raccord à débranchement rapide de sorte qu'il soit à l'horizontale ou qu'il pointe vers le bas. Il ne faut jamais l'installer de manière à ce que l'extrémité ouverte soit orientée vers le haut, car de l'eau et des débris pourraient y pénétrer.
- Installez un couvercle anti-poussières (capuchon en plastique fourni avec votre barbecue) sur l'extrémité ouverte du raccord à débranchement rapide afin de la garder propre.

### Exigences relatives au flexible

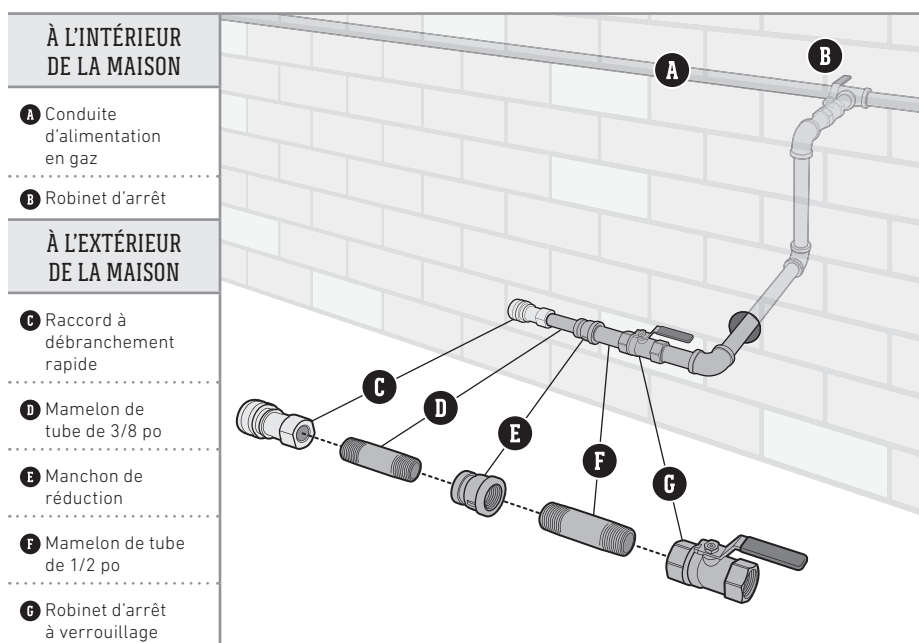
- Pendant sa fabrication, le barbecue a été équipé d'un flexible adapté au modèle. Vous devez utiliser ce flexible particulier afin d'assurer le bon fonctionnement de votre barbecue.
- Si le flexible est usé ou endommagé, communiquez avec le représentant du service à la clientèle de votre région à l'aide des coordonnées qui se trouvent sur notre site Web.

### Essai de pression sur le flexible d'alimentation en gaz

- Débranchez le barbecue lorsque le flexible d'alimentation en gaz est mis à l'essai à de hautes pressions. Il faut débrancher cet appareil et son robinet d'arrêt individuel du système d'alimentation en gaz lorsque la pression d'essai est supérieure à 3,5 kPa (1/2 psi).
- Éteignez le barbecue lorsque le flexible d'alimentation en gaz est mis à l'essai à de basses pressions. Isolez cet appareil du système d'alimentation en gaz en fermant son robinet d'arrêt manuel lorsque la pression d'essai est égale ou inférieure à 3,5 kPa (1/2 psi).

## Installation typique du flexible d'un barbecue au gaz naturel

310 • 315 • 325 • 330 • 335

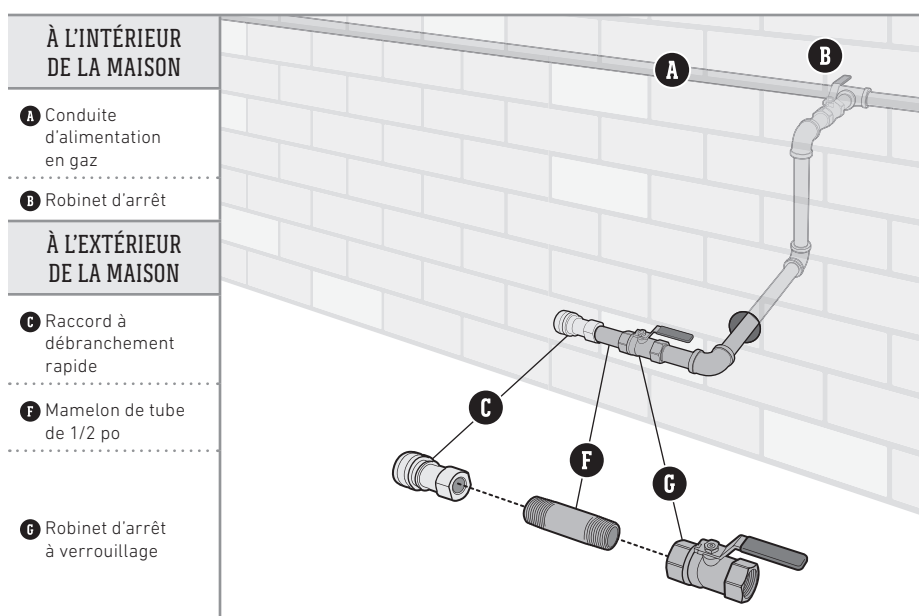


L'installation peut varier selon les codes locaux en vigueur.

Il ne faut jamais utiliser de raccords coniques.

## Installation typique du flexible d'un barbecue au gaz naturel

410 • 415 • 430 • 435



L'installation peut varier selon les codes locaux en vigueur.

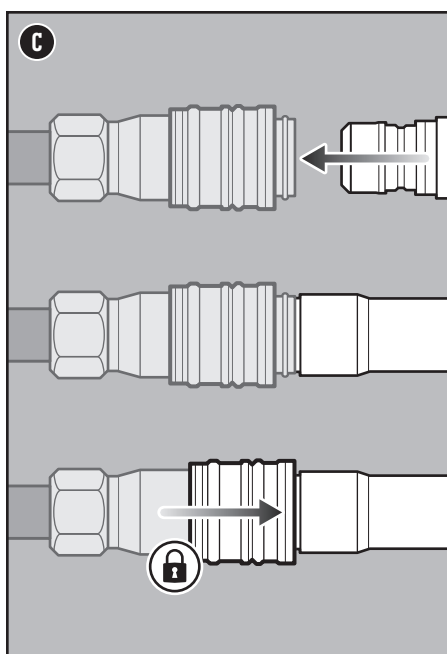
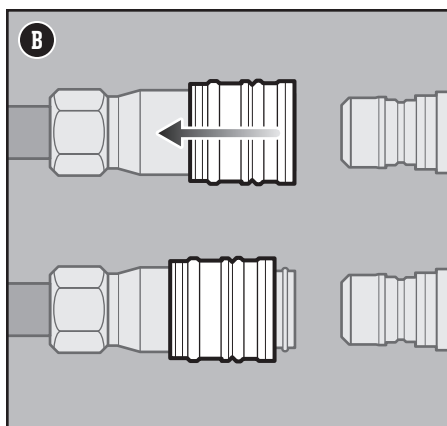
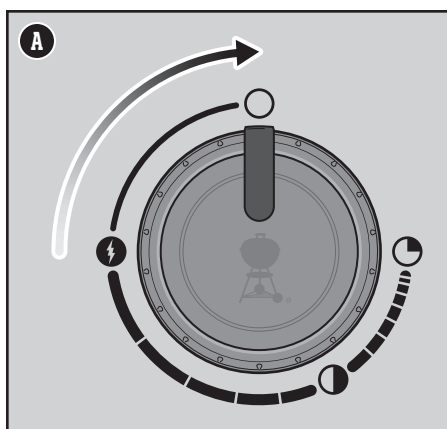
Il ne faut jamais utiliser de raccords coniques.

## Raccordement du flexible et vérification des fuites

### Raccordement du flexible à la conduite d'alimentation en gaz

Un raccord à débranchement rapide relie votre barbecue à la conduite d'alimentation en gaz. Aucun gaz ne sera acheminé au barbecue si le raccord à débranchement rapide n'est pas correctement fixé.

- 1) Assurez-vous que tous les boutons de commande des brûleurs sont fermés (position Off **O**). Pour ce faire, poussez sur chaque bouton de commande, puis tournez-le dans le sens des aiguilles d'une montre **(A)**.
- 2) Faites glisser le collier du raccord à débranchement rapide vers l'arrière **(B)**.
- 3) Insérez le raccord mâle du flexible dans le raccord à débranchement rapide et maintenez la pression. Faites glisser le collier à sa position fermée **(C)**. S'il ne se fixe pas ni ne se verrouille, répétez la procédure. Passez à la section « VÉRIFICATION DES FUITES DE GAZ ».



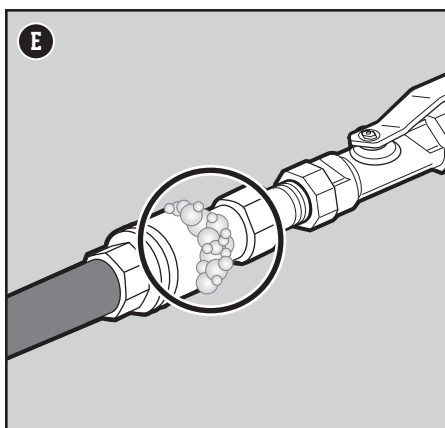
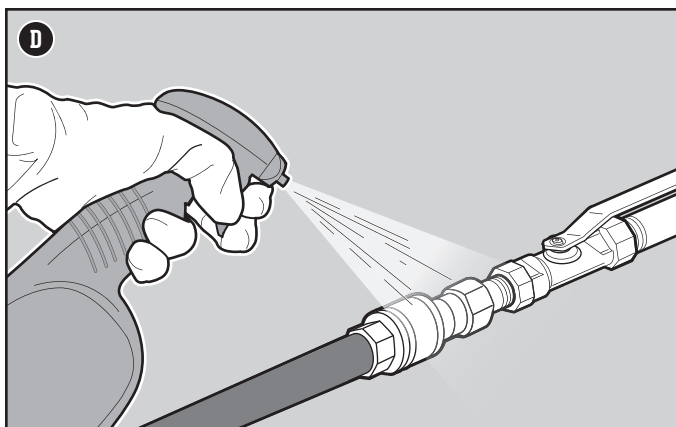
## Qu'est-ce qu'une vérification des fuites?

Une fois le tuyau correctement raccordé, il est nécessaire d'effectuer une vérification des fuites. Il s'agit d'un moyen fiable de s'assurer qu'aucun gaz ne s'échappe du tuyau après l'avoir raccordé. Le système d'alimentation de votre barbecue comprend des raccords effectués en usine, qui ont fait l'objet d'une vérification minutieuse des fuites, et les brûleurs ont été testés pour les flammes. WEBER recommande d'effectuer une vérification approfondie supplémentaire des fuites après l'assemblage ainsi qu'une fois par an. Les raccords suivants doivent être testés :

- Où le tuyau de gaz se connecte au réservoir.
- Là où le tuyau de gaz se connecte à la cloison.
- Là où la cloison se connecte à la ligne de gaz ondulée.

## Vérification des fuites de gaz

- 1) Mouillez les raccords (D) d'eau savonneuse à l'aide d'un flacon pulvérisateur, d'une brosse ou d'un chiffon. Vous pouvez préparer votre propre solution d'eau savonneuse en mélangeant une part de savon liquide à quatre parts d'eau. Autrement, vous pouvez vous procurer une solution de vérification des fuites dans le rayon de plomberie de n'importe quelle quincaillerie.
- 2) Ouvrez l'alimentation en gaz.



⚠ DANGER : N'utilisez pas de flamme pour vérifier les fuites de gaz. Assurez-vous qu'il n'y a aucune étincelle ni flamme nue à proximité du barbecue lorsque vous vérifiez la présence de fuites.

⚠ DANGER : Une fuite de gaz peut causer un incendie ou une explosion.

⚠ DANGER : N'utilisez pas le barbecue si vous avez détecté une fuite de gaz.

3) Si des bulles se forment, il y a une fuite:

- a) Si la fuite est à la source de gaz (E). Coupez l'alimentation en gaz. N'UTILISEZ PAS LE BARBECUE.
- b) Si la fuite se trouve à un des raccords indiqués dans l'illustration (F), resserrer ce raccord avec une clé, puis vérifier de nouveau s'il y a fuite à l'aide d'une solution d'eau savonneuse. Si la fuite persiste, couper le gaz. NE PAS UTILISER LE BARBECUE.
- c) Si la fuite se trouve à un des raccords indiqués dans l'illustration (G), couper le gaz. NE PAS UTILISER LE BARBECUE.

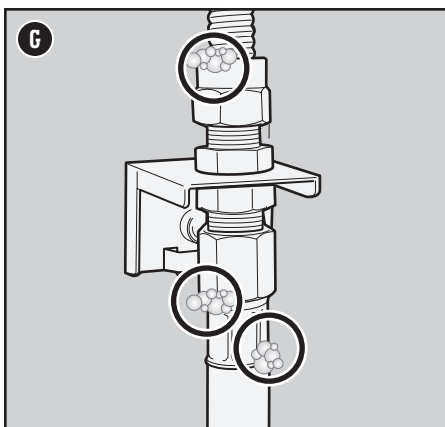
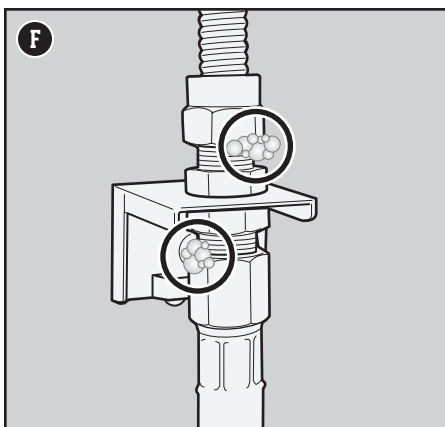
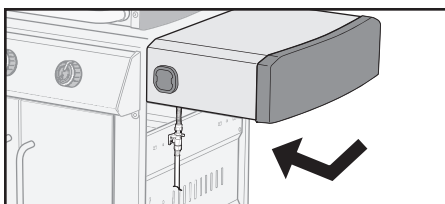
S'il y a présence d'une fuite, contacter le représentant du service à la clientèle de votre région au moyen des coordonnées indiquées sur notre site Internet.

4) Si aucune bulle ne se forme, la vérification des fuites est terminée. Fermez l'alimentation en gaz et rincez les raccords avec de l'eau.

*REMARQUE : Étant donné que certaines solutions de vérification des fuites, y compris l'eau savonneuse, peuvent être légèrement corrosives, il faut rincer tous les raccords avec de l'eau après la vérification des fuites.*

### Débranchement du flexible de la conduite d'alimentation en gaz

1) Faites glisser le collier vers l'arrière et retirez le flexible. L'alimentation en gaz est automatiquement coupée.



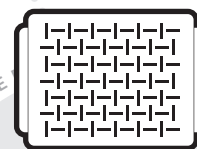
### PINCEAU ET LAVETTE

Procurez-vous un pinceau doté d'un long manche et de poils en silicone résistant à la chaleur. Accompagnez-le d'une lavette dont les longs fils de coton sont idéaux pour badigeonner vos viandes de sauces liquides à base de vinaigre.



### PINCE

Considérez cet ustensile comme un prolongement de votre main. La pince idéale sera dotée d'un mécanisme de tension sans effort, d'une poignée confortable et d'un verrou qui la maintient fermée.



### POÊLE À FOND CANNÉLÉ

Grâce à une poêle à fond cannelé perforé, ne craignez plus de perdre dans le fond de votre barbecue les aliments qui sont trop petits ou délicats pour les grilles de cuisson.

## Première utilisation de votre barbecue

### Rodage initial

Allumez les brûleurs à la position Start/High (démarrage/élevé), fermez le couvercle, puis chauffez le barbecue pendant au moins 20 minutes avant de l'utiliser pour la première fois.

## À chaque utilisation de votre barbecue

### Entretien d'un repas à l'autre

Le plan d'entretien d'un repas à l'autre comporte des étapes simples mais importantes que vous devez toujours réaliser avant d'utiliser votre barbecue.

### Vérification de la présence de graisse

Votre barbecue est équipé d'un système de traitement de la graisse qui éloigne la graisse des aliments et l'achemine directement dans un contenant jetable. Pendant que vos aliments cuisent, la graisse s'écoule vers le plateau à graisse amovible, puis dans le bac récepteur jetable qui tapisse l'égouttoir. Vous devez nettoyer ces pièces chaque fois que vous utilisez votre barbecue afin de prévenir les incendies.

- 1) Assurez-vous que le barbecue est éteint et froid.
- 2) Retirez le plateau à graisse amovible en le tirant hors du châssis (A). Enlevez toute accumulation de graisse à l'aide d'un grattoir en plastique.
- 3) Retirez l'égouttoir (B). Vérifiez si le bac récepteur jetable contient une quantité excessive de graisse. Jetez le bac récepteur au besoin et remplacez-le par un nouveau.
- 4) Réinstallez toutes les pièces.

### Inspection du flexible

Il est nécessaire d'effectuer une inspection de routine du flexible.

- 1) Assurez-vous que le barbecue est éteint et froid.
- 2) Examinez le flexible afin de repérer tout signe de fissuration, d'abrasion ou de cassure (C). Si le flexible est endommagé de quelque façon que ce soit, n'utilisez pas le barbecue.

### Préchauffage du barbecue

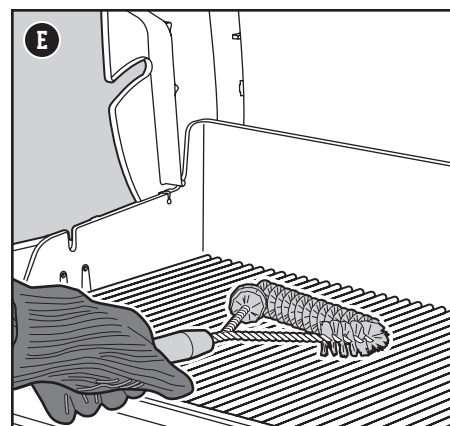
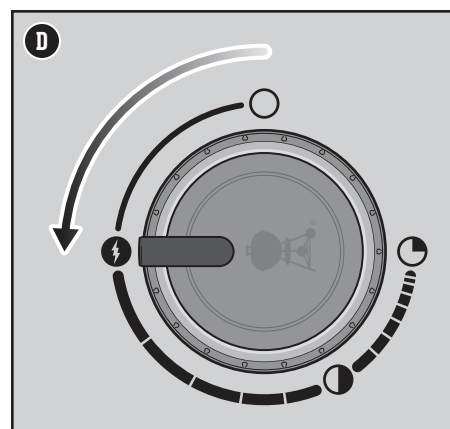
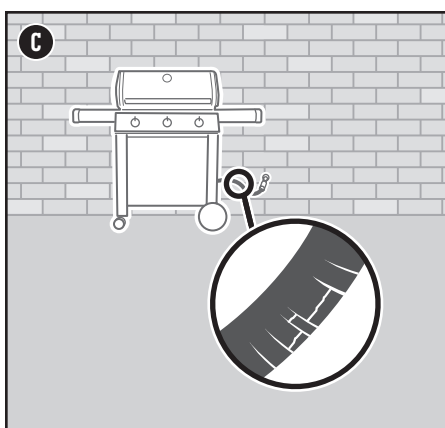
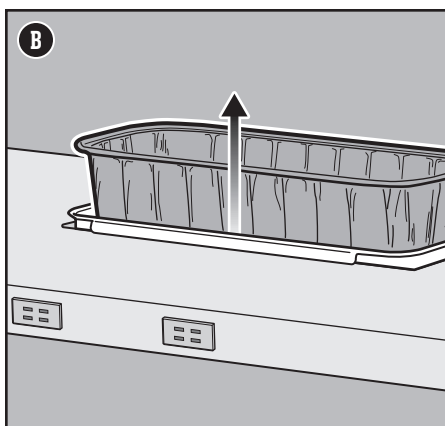
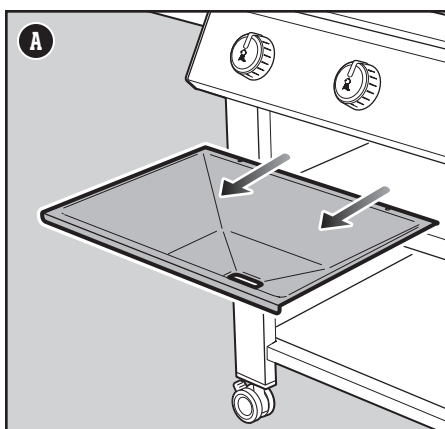
Il est essentiel de préchauffer votre barbecue pour profiter d'une expérience de cuisson optimale. Le préchauffage permet de chauffer la grille suffisamment pour saisir les aliments sans qu'ils collent à la grille. Il permet également de brûler les résidus d'un repas précédent.

- 1) Ouvrez le couvercle du barbecue.
- 2) Allumez votre barbecue conformément aux instructions d'allumage du présent manuel du propriétaire.
- 3) Fermez le couvercle.
- 4) Préchauffez le barbecue en ouvrant tous les brûleurs à la position Start/High (démarrage/élevé) (D) pendant 10 à 15 minutes ou jusqu'à ce que la température du barbecue s'élève à 260 °C (500 °F) (D).

### Nettoyage de la grille de cuisson

Après avoir préchauffé le barbecue, il vous sera plus facile d'enlever tout résidu de nourriture ou débris d'un repas précédent. Si vos grilles de cuisson sont propres, il y a moins de risque que les aliments y collent.

- 1) Brossez les grilles à l'aide d'une brosse à poils en acier inoxydable immédiatement après le préchauffage (E).



⚠ **DANGER** : Ne tapissez pas le plateau à graisse amovible ni le compartiment à cuisson de papier d'aluminium.

⚠ **DANGER** : Avant chaque utilisation, vérifiez qu'il n'y a pas d'accumulation de graisse dans le plateau à graisse amovible ou l'égouttoir. Retirez toute accumulation de graisse afin de prévenir les risques de feu de friture.

⚠ **AVERTISSEMENT** : Utilisez des mitaines ou des gants résistant à la chaleur lorsque vous utilisez votre barbecue.

⚠ **AVERTISSEMENT** : Inspectez périodiquement votre brosse à barbecue afin de repérer des poils lâches et des signes d'usure excessive. Remplacez la brosse si vous détectez des poils lâches sur les grilles de cuisson ou la brosse. Weber recommande d'acheter une nouvelle brosse à barbecue à poils en acier inoxydable chaque année, au début du printemps.

⚠ **AVERTISSEMENT** : Si le flexible est endommagé de quelque façon que ce soit, n'utilisez pas le barbecue. Remplacez-le par un flexible autorisé par Weber.

⚠ **AVERTISSEMENT** : Les ouvertures de ventilation autour du réservoir doivent être dégagées et exemptes de débris.



## Allumage du barbecue

### Utilisation du système d'allumage électronique

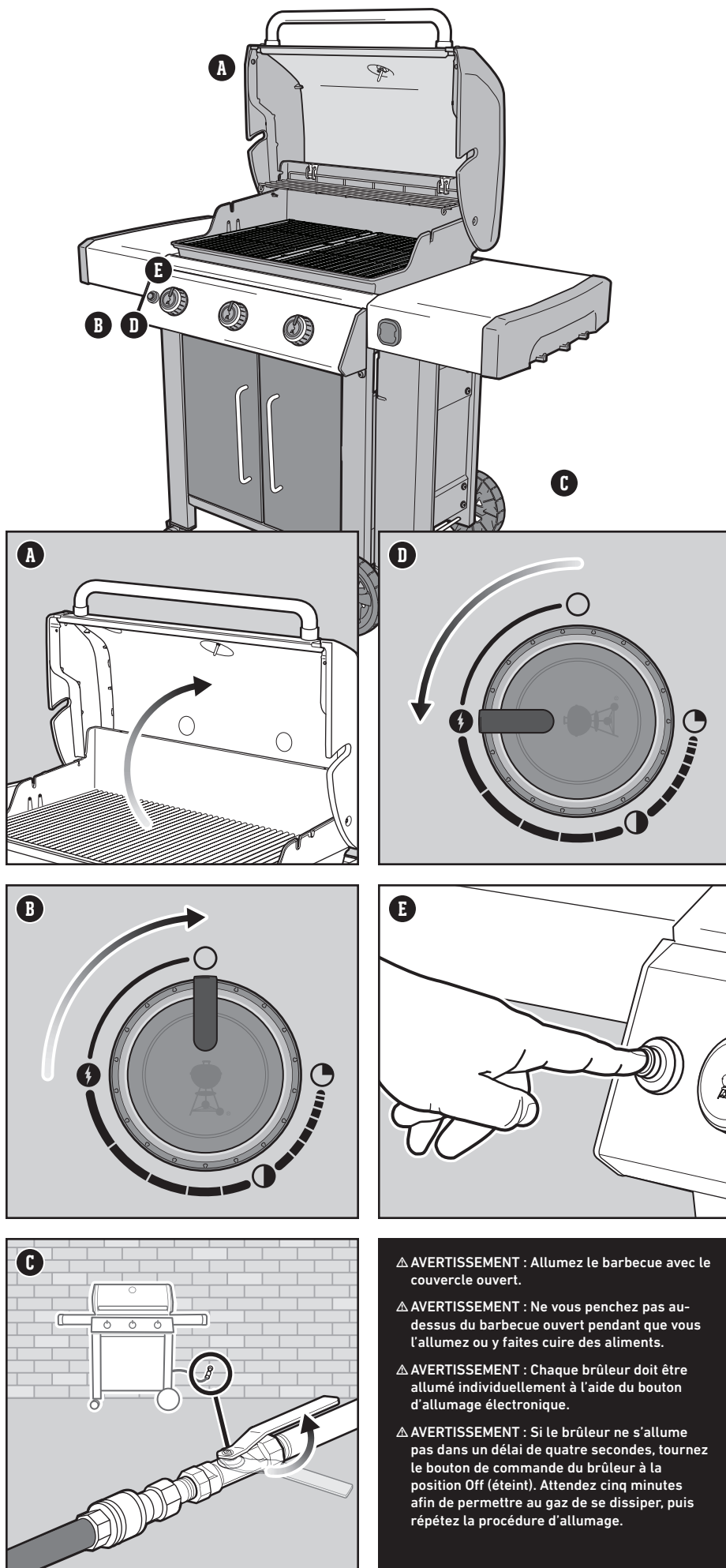
Chaque bouton de commande actionne un brûleur individuel, et chaque brûleur s'allume de façon indépendante. Allumez les brûleurs de la gauche vers la droite. Vous devez allumer tous les brûleurs pour préchauffer votre barbecue, mais il n'est pas nécessaire de tous les garder ouverts durant la cuisson.

- 1) Ouvrez le couvercle du barbecue (A).
- 2) Assurez-vous que tous les boutons de commande des brûleurs sont fermés (position Off [éteint] O). Pour ce faire, poussez sur chaque bouton de commande, puis tournez-le dans le sens des aiguilles d'une montre (B).
- 3) Ouvrez l'alimentation en gaz (C).
- 4) Allumez le brûleur qui se trouve à l'extrémité gauche du barbecue. Poussez sur le bouton de commande, puis tournez-le dans le sens contraire des aiguilles d'une montre jusqu'à la position Start/High (démarrage/élevé) ⚡ (D).
- 5) Appuyez sur le bouton d'allumage électronique et maintenez-le enfoncé (E). Vous entendrez un cliquetis.
- 6) Vérifiez que le brûleur est allumé en regardant au travers des grilles de cuisson et de l'ouverture en demi-cercle dans la barre FLAVORIZER.
- 7) Si le brûleur ne s'allume pas, tournez le bouton de commande du brûleur à la position Off (éteint) O et attendez cinq minutes afin de permettre au gaz de se dissiper avant de tenter de rallumer le brûleur.
- 8) Si le brûleur s'allume, répétez les étapes 4 à 6 pour tous les autres brûleurs.

Si les brûleurs ne s'allument pas à l'aide du système d'allumage électronique, consultez la section « DÉPANNAGE ». Vous y trouverez des instructions sur la façon d'allumer le barbecue à l'aide d'une allumette afin de déterminer la cause du problème.

### Extinction des brûleurs

- 1) Poussez sur le bouton de commande de chaque brûleur et tournez-le dans le sens des aiguilles d'une montre jusqu'à la position Off (éteint) O.
- 2) Fermez l'alimentation en gaz.



- ⚠ **AVERTISSEMENT** : Allumez le barbecue avec le couvercle ouvert.
- ⚠ **AVERTISSEMENT** : Ne vous penchez pas au-dessus du barbecue ouvert pendant que vous l'allumez ou y faites cuire des aliments.
- ⚠ **AVERTISSEMENT** : Chaque brûleur doit être allumé individuellement à l'aide du bouton d'allumage électronique.
- ⚠ **AVERTISSEMENT** : Si le brûleur ne s'allume pas dans un délai de quatre secondes, tournez le bouton de commande du brûleur à la position Off (éteint). Attendez cinq minutes afin de permettre au gaz de se dissiper, puis répétez la procédure d'allumage.

## Nettoyage et entretien

### Nettoyage de l'intérieur du barbecue

Au fil du temps, il est possible que la performance de votre barbecue diminue s'il n'a pas fait l'objet d'un entretien approprié. De basses températures, un chauffage inégal, des aliments collés aux grilles de cuisson sont tous des signes qu'il est plus que temps de nettoyer votre barbecue. Lorsque votre barbecue est éteint et froid, commencez par nettoyer l'intérieur, de haut en bas. Il est recommandé de procéder à un nettoyage approfondi au moins deux fois par année. Si vous utilisez fréquemment votre barbecue, vous devriez le nettoyer tous les trois mois.

### Nettoyage du couvercle

À l'occasion, vous pourriez remarquer des écaillures « semblables à de la peinture » à l'intérieur du couvercle. Lorsque le barbecue est en fonction, les vapeurs de graisse et de fumée se transforment lentement en carbone et se déposent à l'intérieur du couvercle. Ces dépôts finiront par se décoller de la paroi, d'une façon semblable à de la peinture qui s'écaille. Ces dépôts ne sont pas toxiques, mais les écaillures pourraient tomber sur vos aliments si vous ne nettoyez pas le couvercle régulièrement.

- 1) Enlevez la graisse carbonisée à l'intérieur du couvercle à l'aide d'une brosse à barbecue à poils en acier inoxydable (A). Afin d'éviter que la graisse ne s'accumule, vous pouvez essuyer l'intérieur du couvercle à l'aide d'une serviette en papier pendant que le barbecue est encore tiède (pas chaud).

### Nettoyage des grilles de cuisson

Si vous avez nettoyé vos grilles de cuisson comme il est recommandé, il ne devrait pas y avoir beaucoup de résidus.

- 1) Laissez les grilles installées dans le barbecue, puis enlevez les résidus à l'aide d'une brosse à poils en acier inoxydable (B).
- 2) Retirez les grilles du barbecue et mettez-les de côté.

### Nettoyage des barres FLAVORIZER

Les barres FLAVORIZER recueillent les dégoulinades qui grésillent et créent la fumée, ajoutant ainsi de la saveur à vos aliments. Les dégoulinades qui ne sont pas recueillies par les barres FLAVORIZER sont acheminées loin des brûleurs. Cela permet de prévenir les risques d'embranchement à l'intérieur de votre barbecue et d'éviter que les brûleurs ne s'obstruent.

- 1) Grattez les barres FLAVORIZER à l'aide d'un grattoir en plastique (C).
- 2) Au besoin, brossez les barres FLAVORIZER à l'aide d'une brosse à poils en acier inoxydable.
- 3) Retirez les barres FLAVORIZER et mettez-les de côté.

### Nettoyage des brûleurs

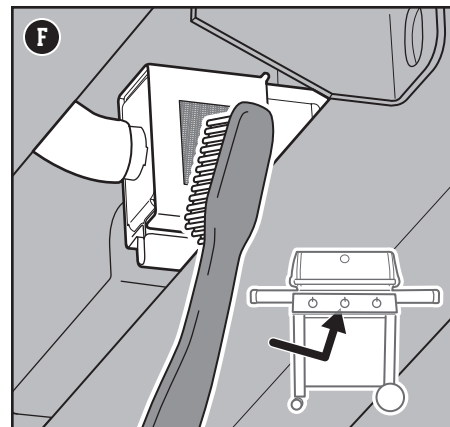
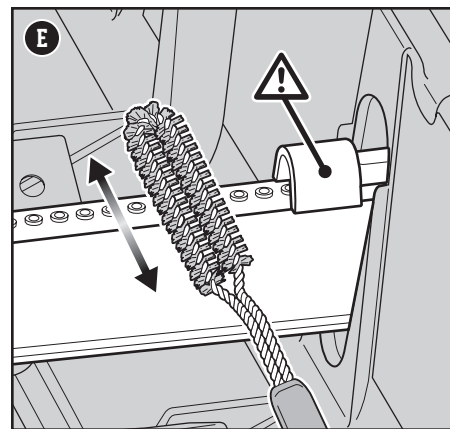
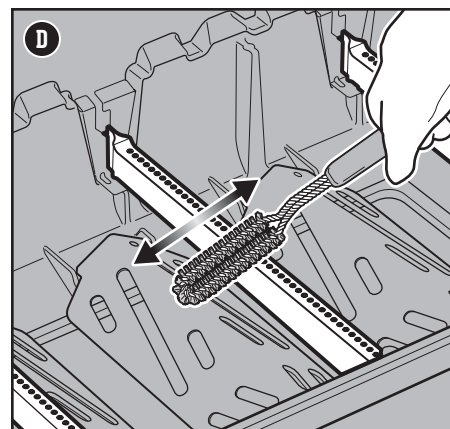
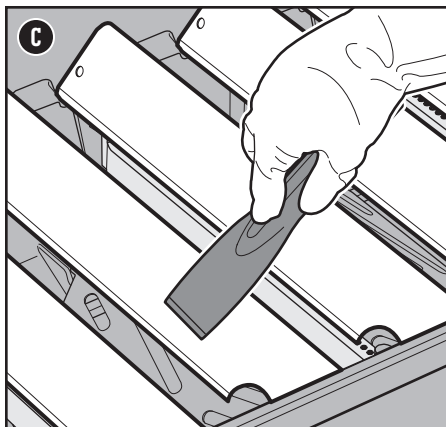
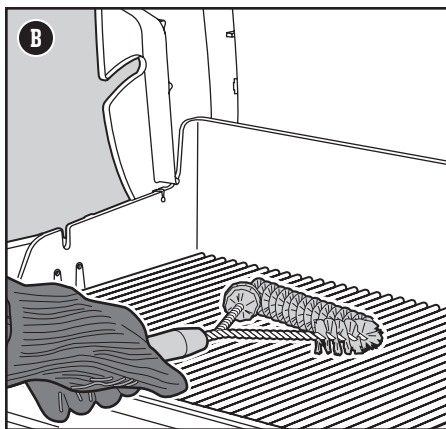
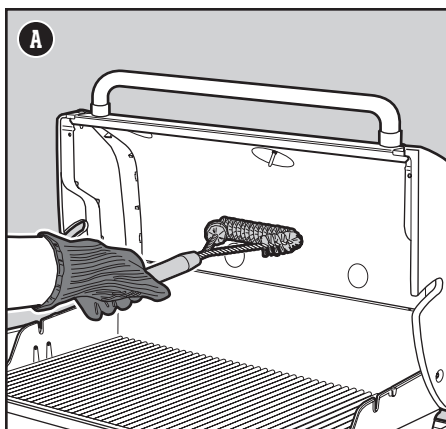
Afin que vos brûleurs offrent une performance optimale, ils sont dotés d'orifices (petites ouvertures surélevées situées sur toute la longueur des brûleurs) et de grilles anti-araignées à leur extrémité. Il est essentiel de garder ces éléments propres pour assurer le fonctionnement sécuritaire du barbecue.

#### Nettoyage des orifices des brûleurs

- 1) À l'aide d'une brosse à poils en acier inoxydable, nettoyez l'extérieur des brûleurs en passant la brosse sur leurs orifices (D).
- 2) Lorsque vous nettoyez les brûleurs, évitez d'endommager l'électrode d'allumage en passant soigneusement la brosse tout autour (E).

#### Nettoyage des grilles anti-araignées

- 1) Repérez les extrémités des brûleurs, sur la face inférieure du panneau de commande, là où elles sont raccordées aux valves.
- 2) Nettoyez la grille anti-araignée de chaque brûleur à l'aide d'une brosse à poils doux (F).



⚠ **AVERTISSEMENT** : Éteignez votre barbecue et attendez qu'il refroidisse avant de le nettoyer.

⚠ **AVERTISSEMENT** : Au fil du temps, vous pourriez voir apparaître des surfaces rugueuses sur les barres FLAVORIZER. Il est recommandé de porter des gants pour manipuler les barres. Ne nettoyez pas les barres FLAVORIZER ni les grilles de cuisson dans un évier, un lave-vaisselle ou un four autonettoyant.

⚠ **AVERTISSEMENT** : Pour nettoyer les brûleurs, n'utilisez jamais une brosse qui a déjà servi à nettoyer les grilles de cuisson. N'insérez jamais d'objets pointus dans les orifices des brûleurs.

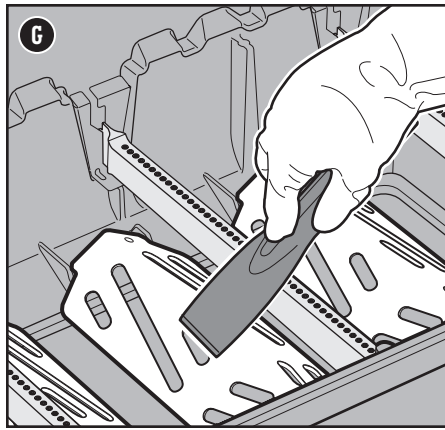
⚠ **PRUDENCE** : Ne déposez aucune pièce du barbecue sur les tablettes latérales, car elle pourrait en égratigner les surfaces peintes ou en acier inoxydable.

⚠ **PRUDENCE** : N'utilisez aucun des éléments suivants pour nettoyer votre barbecue : des encastriques ou des peintures abrasives pour acier inoxydable; des solutions nettoyantes qui contiennent de l'acide, de l'essence minérale ou du xylène; des produits nettoyants pour le four; des produits nettoyants abrasifs (nettoyants pour la cuisine) ou des tampons nettoyeurs abrasifs.

## Nettoyage des réflecteurs de chaleur

Situés sous les brûleurs, les réflecteurs de chaleur distribuent la chaleur uniformément dans le compartiment de cuisson. Gardez les réflecteurs de chaleur propres afin d'améliorer la performance de cuisson de votre barbecue.

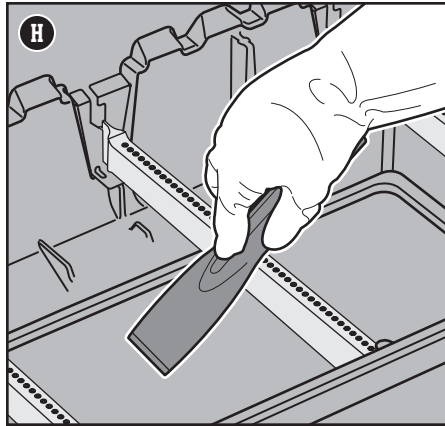
- 1) Grattez les réflecteurs de chaleur à l'aide d'un grattoir en plastique (G).
- 2) Au besoin, brossez les réflecteurs de chaleur à l'aide d'une brosse à poils en acier inoxydable.
- 3) Retirez les réflecteurs de chaleur et mettez-les de côté.



## Nettoyage du compartiment de cuisson

Inspectez l'intérieur du compartiment de cuisson afin de repérer tout résidu de nourriture ou accumulation de graisse. Une accumulation excessive peut causer un incendie.

- 1) À l'aide d'un grattoir en plastique, grattez les résidus qui se sont déposés sur les parois internes du barbecue et poussez-les dans l'ouverture située au fond du compartiment de cuisson (H). Cette ouverture permet d'acheminer les résidus vers le plateau à graisse amovible.



## Nettoyage du système de traitement de la graisse

Le système de traitement de la graisse est constitué d'un plateau à graisse incliné amovible et d'un égouttoir. Ces composants sont conçus pour qu'il soit facile de les retirer, de les nettoyer et de les réinstaller : une procédure essentielle à suivre chaque fois que vous utilisez votre barbecue. Vous trouverez les instructions relatives à l'inspection du système de traitement de la graisse à la section « ENTRETIEN D'UN REPAS À L'AUTRE ».

## Nettoyage de l'extérieur du barbecue

L'extérieur de votre barbecue se compose de surfaces en acier inoxydable, en porcelaine émaillée et en plastique. WEBER recommande d'adopter les méthodes suivantes en fonction du type de surface.

### Nettoyage des surfaces en acier inoxydable

Nettoyez les surfaces en acier inoxydable à l'aide d'une solution de nettoyage ou de polissage non toxique et non abrasive pour acier inoxydable conçue pour un usage sur des barbecues et d'autres produits pour l'extérieur. À l'aide d'un linge en microfibre, nettoyez les surfaces dans le sens du grain de l'acier inoxydable. N'utilisez pas de serviette en papier.

*Remarque : Ne prenez pas le risque d'égratigner les surfaces en acier inoxydable en utilisant de la pâte abrasive. La pâte abrasive ne sert pas à nettoyer ni à polir. Elle modifiera plutôt la couleur du métal en enlevant le revêtement supérieur composé d'oxyde de chrome.*

### Nettoyage des surfaces peintes, en porcelaine émaillée et en plastique

Nettoyez les surfaces peintes, en porcelaine émaillée et en plastique à l'aide d'eau savonneuse tiède et de serviettes en papier ou d'un linge. Après avoir essuyé les surfaces, rincez-les et séchez-les soigneusement.

### Nettoyage de l'extérieur d'un barbecue situé dans un environnement exceptionnel

Si votre barbecue est soumis à des conditions particulièrement difficiles, il est recommandé d'en laver l'extérieur plus souvent. Les pluies acides, les produits chimiques pour piscine et l'eau salée peuvent entraîner la formation de rouille. Lavez l'extérieur de votre barbecue avec de l'eau savonneuse tiède. Ensuite, rincez-le et séchez-le soigneusement. De plus, vous pouvez appliquer une solution nettoyante pour acier inoxydable chaque semaine afin de prévenir la formation de rouille.

ACCESSOIRES DE BARBECUE ESSENTIELS • ACCESSOIRES DE BARBECUE ESSENTIELS

**PLATS EN ALUMINIUM**

Tapissez-en l'égouttoir et profitez d'un nettoyage pratique et facile.

ACCESSOIRES DE BARBECUE ESSENTIELS • ACCESSOIRES DE BARBECUE ESSENTIELS

**THERMOMÈTRE**

Petit et relativement peu coûteux, ce gadget essentiel mesure rapidement la température interne de la viande pendant la cuisson.

ACCESSOIRES DE BARBECUE ESSENTIELS • ACCESSOIRES DE BARBECUE ESSENTIELS

**BROSSE À BARBECUE**

Un incontournable avant même de penser à faire du barbecue. Un rapide coup de brosse sur les grilles chaudes empêche les restes calcinés d'un repas précédent de coller à votre repas actuel.

## LE BARBECUE NE S'ALLUME PAS

### SYMPTÔME

- Le brûleur ne s'allume pas, même si vous avez respecté toutes les instructions d'allumage électronique énoncées à la section « Fonctionnement » du présent manuel du propriétaire.

### CAUSE

### SOLUTION

Il y a un problème avec l'alimentation en gaz.

Si le barbecue ne s'allume pas, la première étape consiste à déterminer si le gaz se rend jusqu'aux brûleurs. Pour ce faire, suivez les instructions de la section « Utilisation d'une allumette pour déterminer si le gaz se rend aux brûleurs ». Si le **barbecue NE S'ALLUME TOUJOURS PAS**, suivez les suggestions de dépannage relatives au débit de gaz à la page suivante.

Il y a un problème avec le système d'allumage électronique.

Si le barbecue ne s'allume pas, la première étape consiste à déterminer si le gaz se rend jusqu'aux brûleurs. Pour ce faire, suivez les instructions de la section « Utilisation d'une allumette pour déterminer si le gaz se rend aux brûleurs ». Si le **barbecue S'ALLUME**, suivez les instructions de la section « Vérification des composants du système d'allumage électronique » ci-dessous.

### Utilisation d'une allumette pour déterminer si le gaz se rend aux brûleurs

- Ouvrez le couvercle du barbecue.
- Assurez-vous que tous les boutons de commande des brûleurs sont fermés (position Off [éteint] ○). Pour ce faire, poussez sur chaque bouton de commande, puis tournez-le dans le sens des aiguilles d'une montre.
- Ouvrez l'alimentation en gaz.
- Allumez le brûleur qui se trouve à l'extrémité gauche du barbecue. Insérez une allumette dans la porte-allumettes, puis allumez-la. (Le porte-allumettes se trouve sous la tablette latérale droite.) Glissez l'allumette enflammée à côté du brûleur, directement au travers des grilles de cuisson et des barres FLAVORIZER (A).
- Poussez sur le bouton de commande, puis tournez-le dans le sens contraire des aiguilles d'une montre jusqu'à la position Start/High (démarrage/élevé) ⚡.
- Vérifiez que le brûleur est allumé en regardant au travers des grilles de cuisson et de l'ouverture en demi-cercle dans la barre FLAVORIZER.
- Si le brûleur ne s'allume pas dans un délai de quatre secondes, tournez le bouton de commande du brûleur à la position Off (éteint) ○ et attendez cinq minutes afin de permettre au gaz de se dissiper avant de tenter de rallumer le brûleur. Si après plusieurs tentatives le barbecue ne s'allume pas, suivez les instructions de dépannage relatives au débit de gaz à la page suivante.
- Si le brûleur s'allume, le problème se situe au niveau du système d'allumage. Suivez les instructions de la section « Vérification des composants du système d'allumage électronique ».
- Rangez le porte-allumettes en le suspendant sous la tablette latérale droite (B).

### Vérification des composants du système d'allumage électronique

Quand vous appuyez sur le bouton d'allumage, vous devriez entendre un cliquetis. Si ce n'est pas le cas, vérifiez la pile, puis les fils.

#### Vérification de la pile

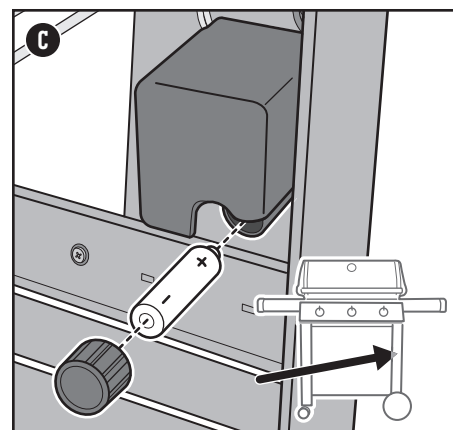
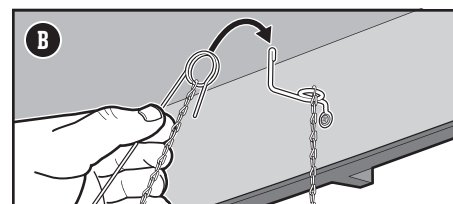
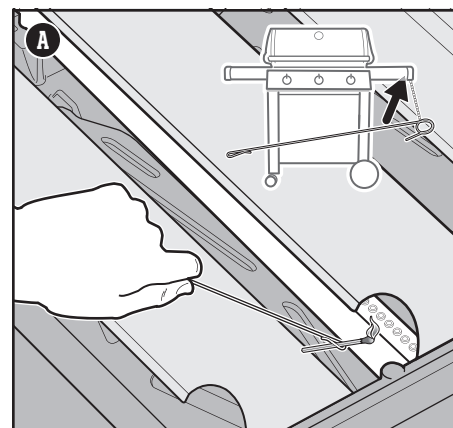
Trois causes possibles peuvent expliquer pourquoi la pile qui alimente le module d'allumage fait défaut :

- Certaines piles sont enveloppées d'une pellicule protectrice en plastique. (Ne confondez pas ce plastique avec l'étiquette de la pile.) Vérifiez si la pellicule de plastique a été retirée.
- Vérifiez que la pile a été installée correctement (C).
- Si la pile est vieille, remplacez-la par une neuve.

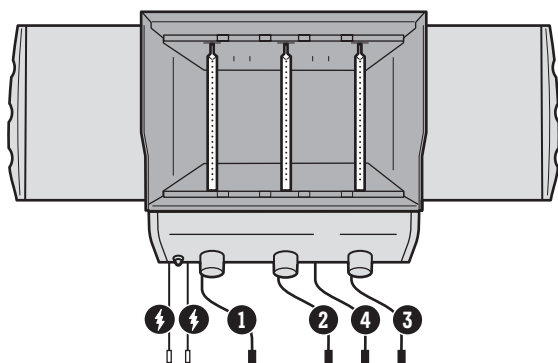
#### Vérification des fils

Deux endroits doivent faire l'objet d'une vérification :

- Vérifiez que les fils d'allumage sont correctement branchés sur les bornes du bouton d'allumage, sous le panneau de commande.
- Assurez-vous que les fils d'allumage sont correctement fixés au module d'allumage. Les cosse sont codées par couleur afin de correspondre aux bornes du module d'allumage. Le nombre de fils variera selon le modèle.



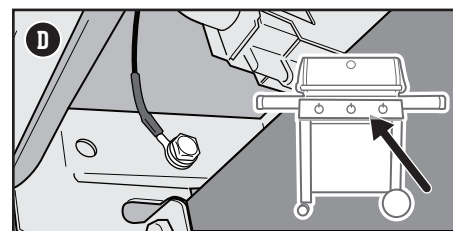
### Schéma des câbles du module d'allumage 315



#### Vérification du conducteur de mise à la terre

Les modèles 310, 315 et 435 sont munis d'un conducteur de mise à la terre raccordé au support du collecteur, visible sous le panneau de commande (D) :

- Vérifier que le conducteur de mise à la terre est solidement vissé en place.



## DÉBIT DE GAZ

### SYMPTÔME

- Le barbecue n'atteint pas la température souhaitée ou chauffe inégalement.
- Un ou plusieurs des brûleurs ne s'allument pas.
- La flamme est basse même si le brûleur est à la position Start/High (démarrage/élevé).
- Les flammes ne courent pas sur toute la longueur du brûleur.
- Le brûleur produit des flammes irrégulières.

### CAUSE

### SOLUTION

Le flexible d'alimentation en carburant est plié ou tordu.	Redressez le flexible d'alimentation en carburant.
Les orifices des brûleurs sont sales.	Nettoyez les orifices des brûleurs. Consultez la section « Nettoyage des orifices des brûleurs ».

### SYMPTÔME

- Une odeur de gaz émane du barbecue et les flammes des brûleurs sont jaunes et faibles.

### CAUSE

### SOLUTION

Les grilles anti-araignées des brûleurs sont obstruées.	Nettoyez les grilles anti-araignées. Consultez la section « Nettoyage des grilles anti-araignées ». Reportez-vous également aux illustrations et aux renseignements de cette section relativement au type de flammes et aux grilles anti-araignées.
---	---

## BARBECUE GRAISSEUX (écaillures de peinture)

### SYMPTÔME

- L'intérieur du couvercle semble avoir l'apparence de peinture écaillée.

### CAUSE

### SOLUTION

Les écaillures que vous voyez représentent en fait des vapeurs de cuisson accumulées qui se sont transformées en carbone.	Cette situation se produit au fil du temps, après un usage répété de votre barbecue. Il ne s'agit pas d'une défectuosité. Nettoyez le couvercle. Consultez la section « Entretien de l'appareil ».
---	--

### SYMPTÔME

- Des écaillures se détachent du couvercle pendant la cuisson ou le préchauffage.

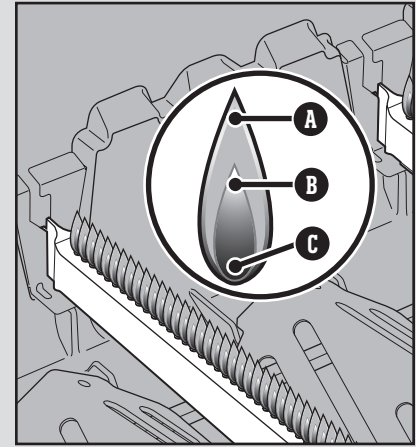
### CAUSE

### SOLUTION

Il y a des résidus de nourriture d'un repas précédent.	Préchauffez toujours le barbecue en allumant tous les brûleurs à la position Start/High (démarrage/élevé) pendant 10 à 15 minutes.
L'intérieur du barbecue doit être nettoyé à fond.	Suivez les étapes de la section « Nettoyage et entretien » pour nettoyer l'intérieur de votre barbecue de haut en bas.

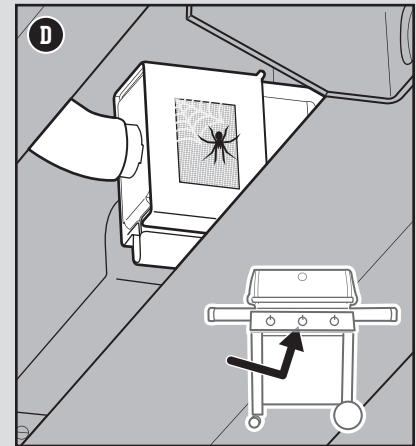
### Type de flammes appropriées

Les brûleurs de votre barbecue ont été réglés en usine afin qu'ils soient alimentés par un mélange d'air et de gaz approprié. Lorsque les brûleurs fonctionnent correctement, vous verrez un type de flammes particulier. Vacillant à l'occasion, les pointes jaunes (A) se superposent à une flamme bleu pâle (B) et se terminent par une flamme bleu foncé (C).



### Grilles anti-araignées

Les ouvertures d'air de combustion des brûleurs (D) sont dotées de grilles en acier inoxydable visant à empêcher les araignées et d'autres insectes de tisser des toiles et de construire des nids à l'intérieur des brûleurs. De la poussière et des débris peuvent s'accumuler à l'extérieur des grilles anti-araignées, entravant ainsi le débit d'oxygène vers les brûleurs.



## APPELEZ LE SERVICE À LA CLIENTÈLE





Si vous éprouvez encore des problèmes, communiquez avec le représentant du service à la clientèle de votre région à l'aide des coordonnées qui se trouvent sur le site [weber.com](http://weber.com).

⚠ AVERTISSEMENT : Ne tentez pas de réparer les composants d'alimentation en gaz, de combustion du gaz, d'allumage ou de structure avant d'avoir communiqué avec le Centre de service à la clientèle de Weber-Stephen Products LLC.

⚠ AVERTISSEMENT : Toute garantie sera annulée si des réparations ou des remplacements ne sont pas réalisés avec des pièces Weber-Stephen authentiques.

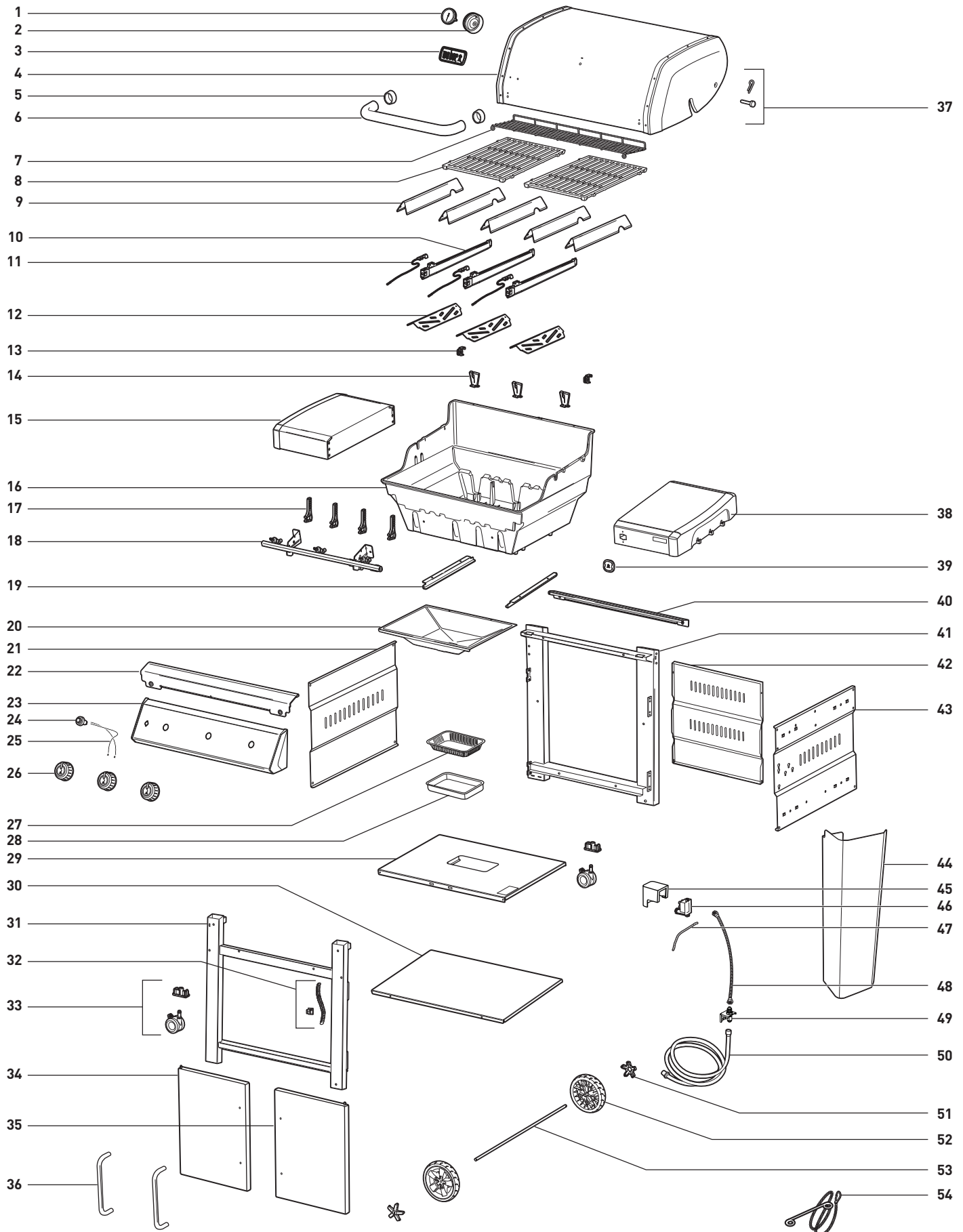
⚠ ATTENTION : Les ouvertures des tubes du brûleur doivent être correctement positionnées au-dessus des orifices des valves.

## Guide de cuisson

Type	Épaisseur/poids	Temps de cuisson approximatif
 <b>VIANDE ROUGE</b>		
	2 cm d'épaisseur	<b>De 4 à 6 minutes</b> à chaleur élevée directe
<b>Steak</b> : coquille d'ailou, aloyau, faux-filet, bifteck d'ailou et filet mignon (filet)	2,5 cm d'épaisseur	<b>De 6 à 8 minutes</b> à chaleur élevée directe
	5 cm d'épaisseur	<b>De 14 à 18 minutes</b> saisir de 6 à 8 minutes à chaleur élevée directe, puis de 8 à 10 minutes à chaleur élevée indirecte
<b>Bavette de flanchet</b>	0,7 à 0,9 kg, 2 cm d'épaisseur	<b>De 8 à 10 minutes</b> à chaleur moyenne directe
<b>Fricadelles de bœuf</b>	2 cm d'épaisseur	<b>De 8 à 10 minutes</b> à chaleur moyenne directe
<b>Filet</b>	De 1,4 à 1,8 kg	<b>De 45 à 60 minutes</b> 15 minutes à chaleur moyenne directe, puis de 30 à 45 minutes à chaleur moyenne indirecte
 <b>PORC</b>		
<b>Saucisses Bratwurst</b> : fraîches	85 g le chaînon	<b>De 20 à 25 minutes</b> à chaleur faible directe
	2 cm d'épaisseur	<b>De 6 à 8 minutes</b> à chaleur élevée directe
<b>Côtelette</b> : avec ou sans l'os	De 3 à 3,8 cm d'épaisseur	<b>De 10 à 12 minutes</b> saisir 6 minutes à chaleur élevée directe, puis de 4 à 6 minutes à chaleur élevée indirecte
<b>Côtes</b> : petites côtes levées de dos, côtes levées	De 1,4 à 1,8 kg	<b>De 1 heure et demie à 2 heures</b> à chaleur moyenne indirecte
<b>Côtes</b> : longe avec l'os	De 1,4 à 1,8 kg	<b>De 1 heure et demie à 2 heures</b> à chaleur moyenne indirecte
<b>Filet</b>	0,45 kg	<b>30 minutes</b> saisir 5 minutes à chaleur élevée directe, puis 25 minutes à chaleur moyenne indirecte
 <b>VOLAILLE</b>		
<b>Poitrine de poulet</b> : sans la peau ni les os	De 170 à 227 g	<b>De 8 à 12 minutes</b> à chaleur moyenne directe
<b>Cuisse de poulet</b> : sans la peau ni les os	113 g	<b>De 8 à 10 minutes</b> à chaleur moyenne directe
<b>Morceaux de poulet</b> : avec l'os, assortis	De 85 à 170 g	<b>De 36 à 40 minutes</b> de 6 à 10 minutes à chaleur faible directe, puis 30 minutes à chaleur moyenne indirecte
<b>Poulet</b> : entier	1,8 à 2,3 kg	<b>De 1 heure à 1 heure et quart</b> à chaleur moyenne indirecte
<b>Poulet de Cornouailles</b>	De 0,68 à 0,91 kg	<b>De 60 à 70 minutes</b> à chaleur moyenne indirecte
<b>Dinde</b> : entière, non farcie	De 4,5 à 5,4 kg	<b>De 2 heures à 2 heures et demie</b> à chaleur moyenne indirecte
 <b>FRUITS DE MER</b>		
<b>Poisson, filet ou steak</b> : flétan, vivaneau rouge, saumon, bar commun, espadon et thon	De 0,6 à 1,3 cm d'épaisseur	<b>De 3 à 5 minutes</b> à chaleur moyenne directe
	De 2,5 à 3 cm d'épaisseur	<b>De 10 à 12 minutes</b> à chaleur moyenne directe
	0,45 kg	<b>De 15 à 20 minutes</b> à chaleur moyenne indirecte
<b>Poisson</b> : entier	1,4 kg	<b>De 30 à 45 minutes</b> à chaleur moyenne indirecte
<b>Crevettes</b>	43 g	<b>De 2 à 4 minutes</b> à chaleur élevée directe
 <b>LÉGUMES</b>		
<b>Asperge</b>	Diamètre de 1,3 cm	<b>De 6 à 8 minutes</b> à chaleur moyenne directe
	Vêtu	<b>De 25 à 30 minutes</b> à chaleur moyenne directe
<b>Maïs</b>	Dépouillé	<b>De 10 à 15 minutes</b> à chaleur moyenne directe
	Shiitake ou champignon en bouton	<b>De 8 à 10 minutes</b> à chaleur moyenne directe
<b>Champignon</b>	Champignon de Paris	<b>De 10 à 15 minutes</b> à chaleur moyenne directe
	Coupé en deux	<b>De 35 à 40 minutes</b> à chaleur moyenne indirecte
<b>Oignon</b>	En tranches de 1,3 cm	<b>De 8 à 12 minutes</b> à chaleur moyenne directe
	Entière	<b>De 45 à 60 minutes</b> à chaleur moyenne indirecte
<b>Pomme de terre</b>	En tranches de 1,3 cm	<b>De 9 à 11 minutes</b> précuite 3 minutes, puis de 6 à 8 minutes à chaleur moyenne directe

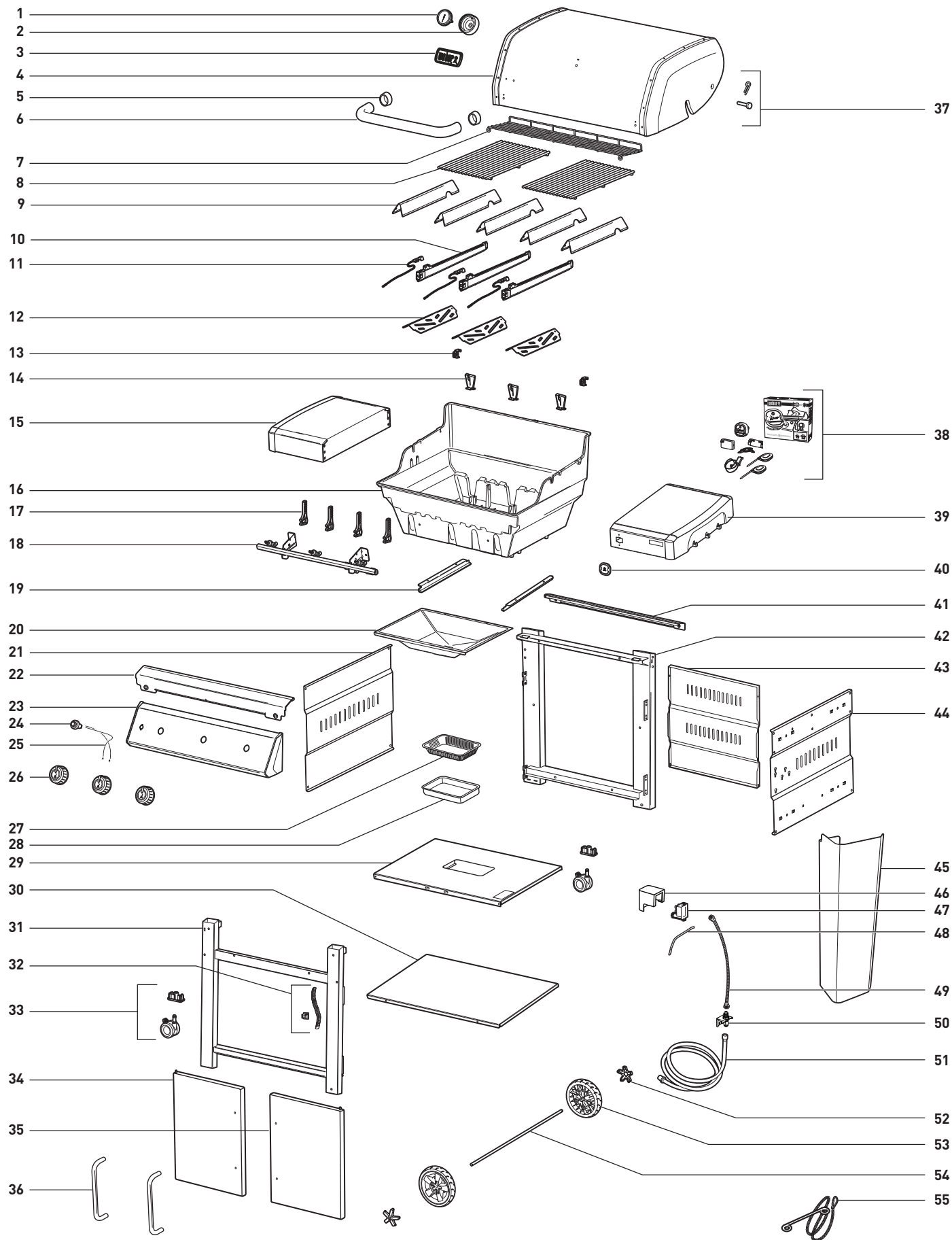
Les coupes, les épaisseurs, les poids et les temps de cuisson présentés ci-dessus sont fournis à titre indicatif seulement. Des facteurs comme l'altitude, le vent et la température extérieure peuvent influencer sur le temps de cuisson. Deux règles générales : Grillez les steaks, les filets de poisson, les morceaux de poulet sans os et les légumes à l'aide de la méthode de cuisson directe en respectant le temps de cuisson fourni dans le tableau (ou jusqu'à la cuisson désirée). Tournez les aliments à la mi-cuisson. Grillez les rôtis, les volailles entières, les morceaux de volaille avec os, les poissons entiers et les viandes dont la coupe est épaisse à l'aide de la méthode de cuisson indirecte en respectant le temps de cuisson fourni dans le tableau (ou jusqu'à ce qu'un thermomètre à lecture instantanée affiche la température interne souhaitée). Sauf indication contraire, les temps de cuisson du bœuf et de l'agneau ont été établis selon la définition de « cuisson moyenne » établie par le Département de l'Agriculture des États-Unis (USDA). Avant de les couper, laissez reposer les rôtis, les gros morceaux de viande ainsi que les côtelettes et les steaks épais pendant 5 à 10 minutes après la cuisson. La température interne de la viande augmentera de 5 à 10 degrés pendant ce temps.





GENESIS II CSE-315 • CSS-315

Genesis II\_CSE/CSS-315\_NG\_US\_031518













weber.com

U.S./EE. UU./États-Unis :  
1-800-446-1071

Mexico/México/Mexique :  
01 800 0093237

Canada/Canadá/Canada :  
1-800-446-1071