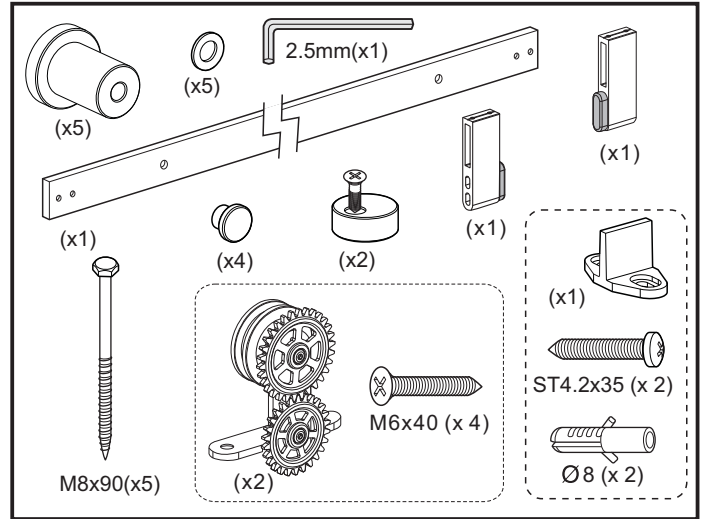
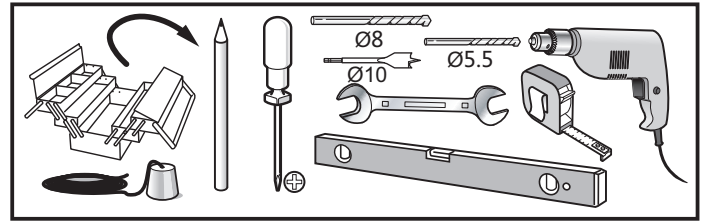
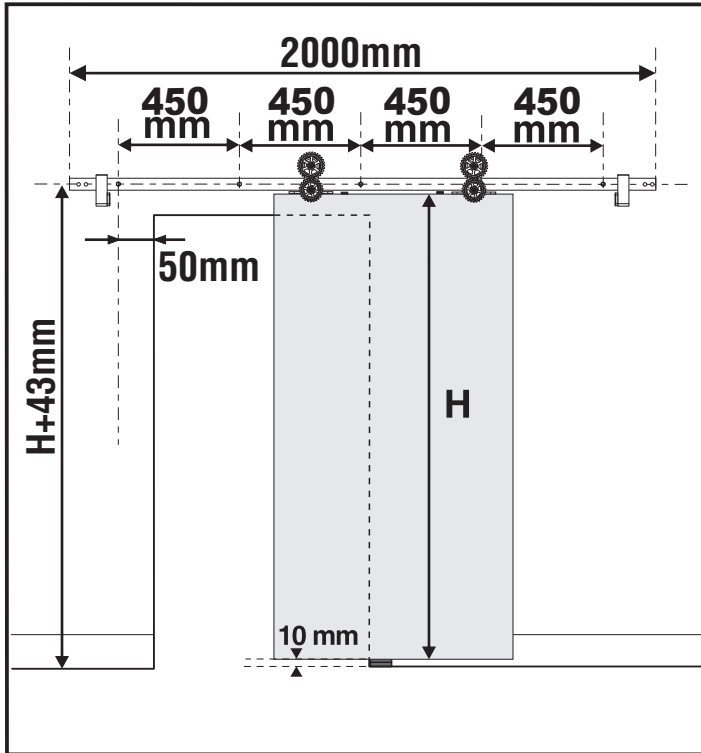
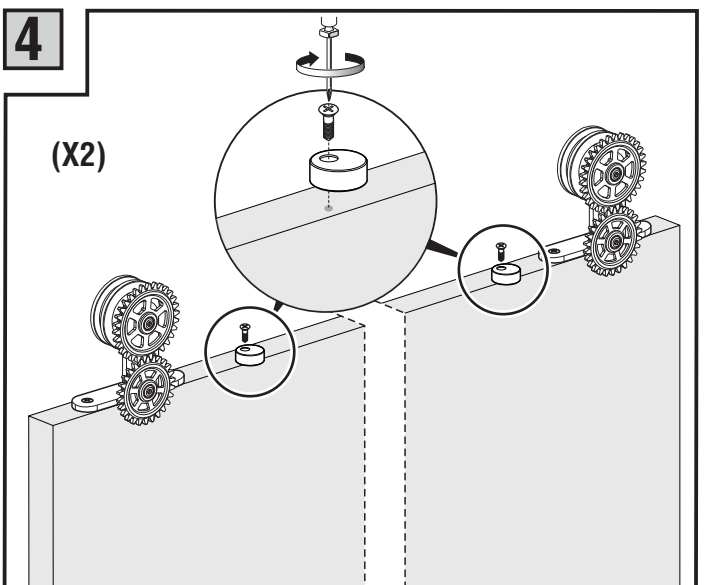
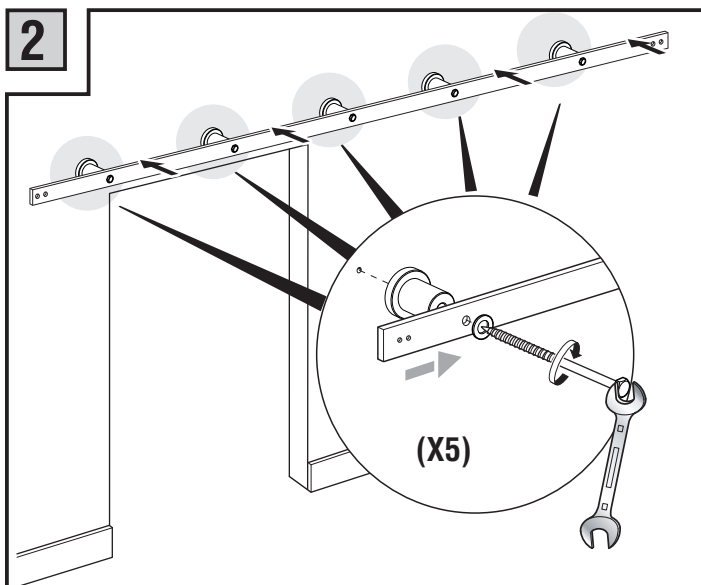
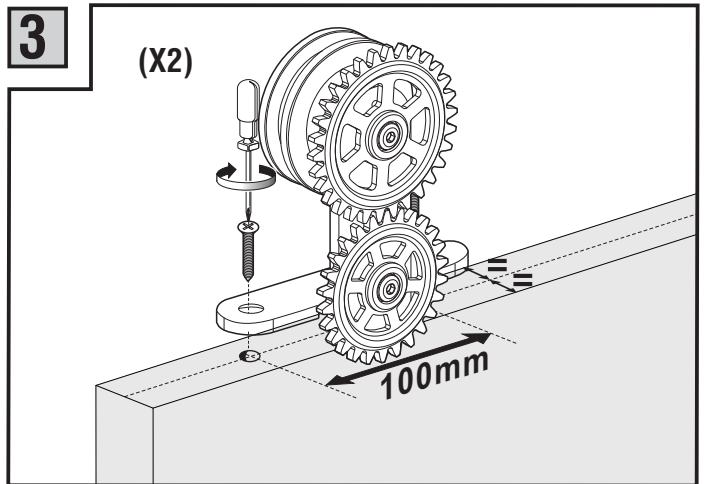
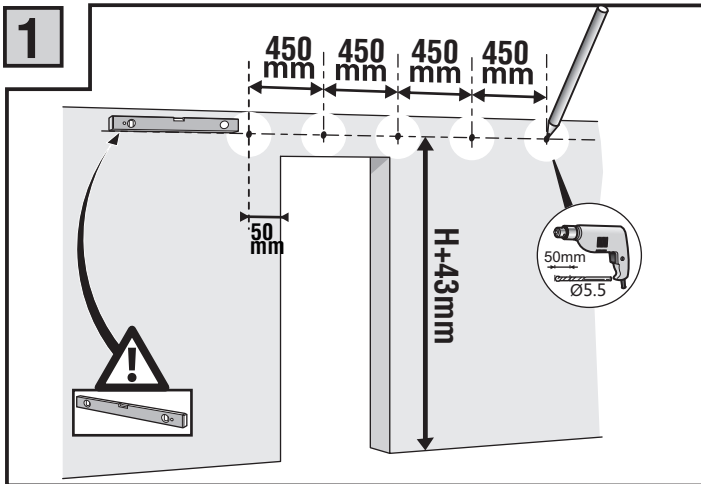
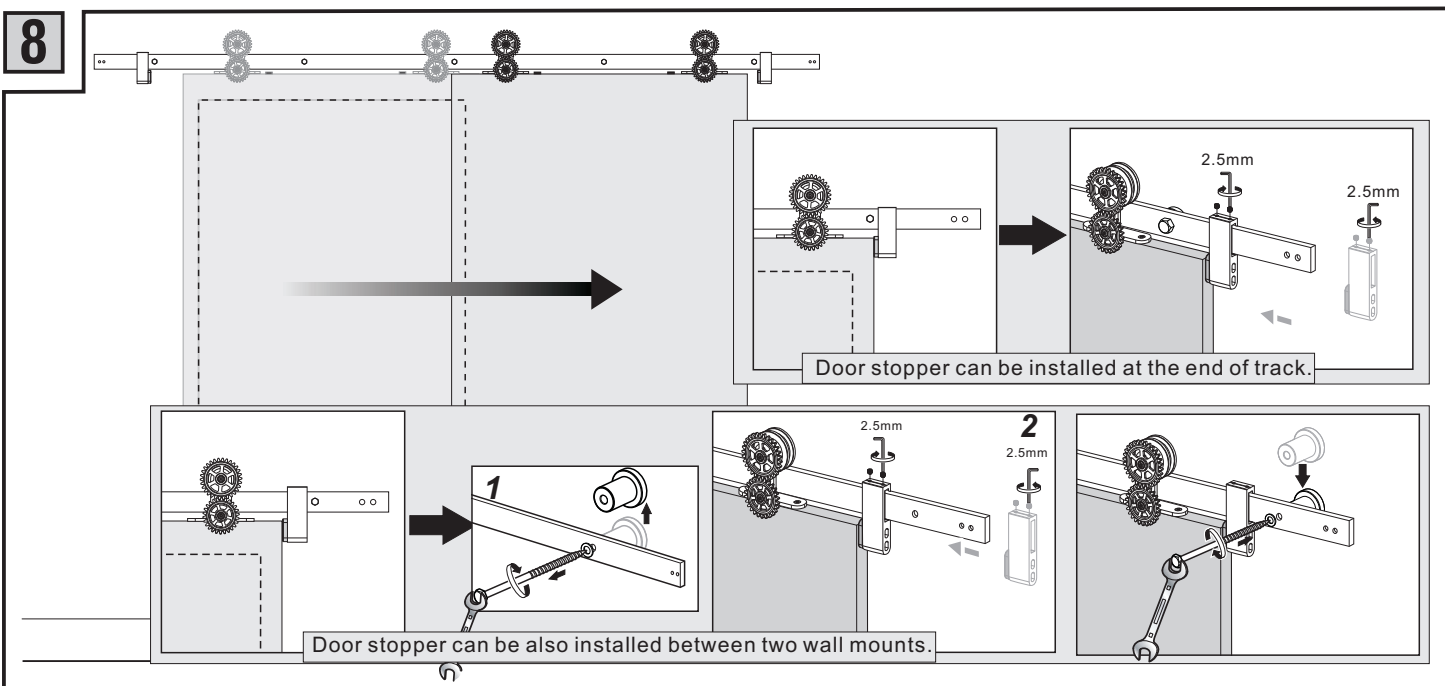
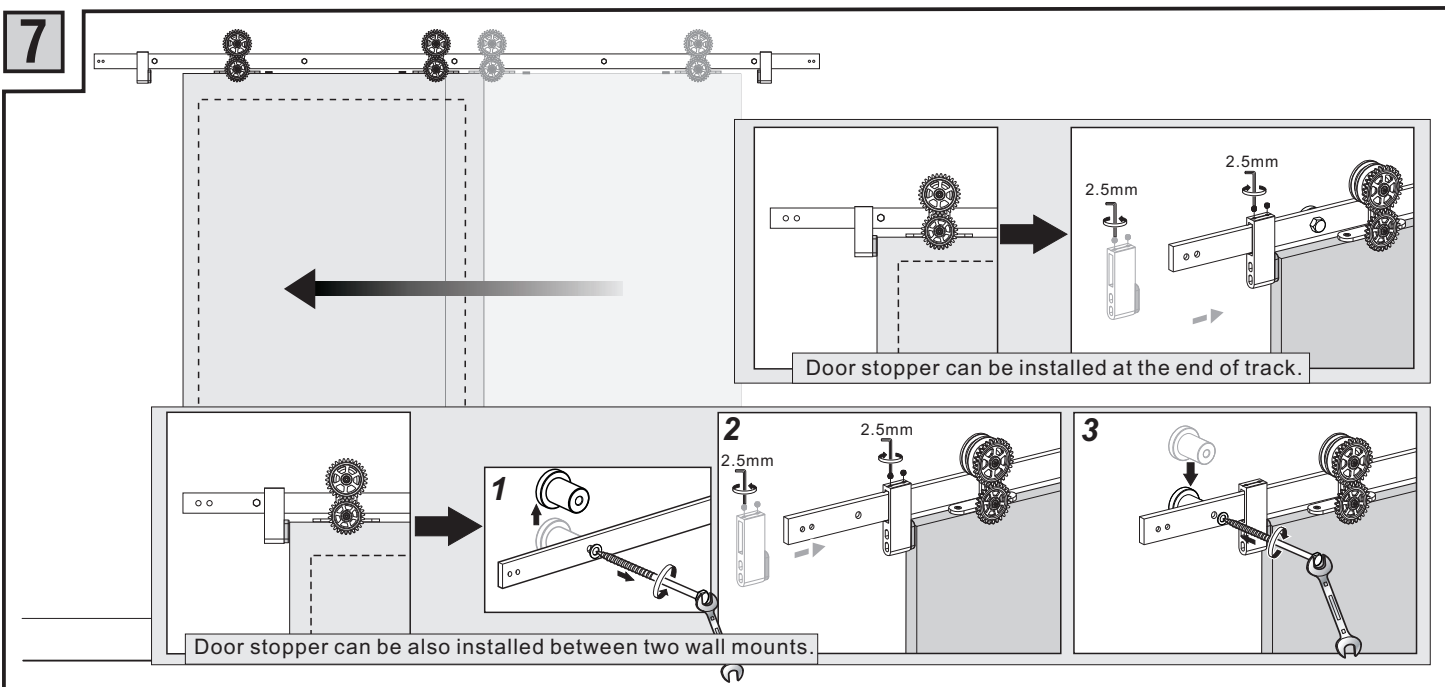
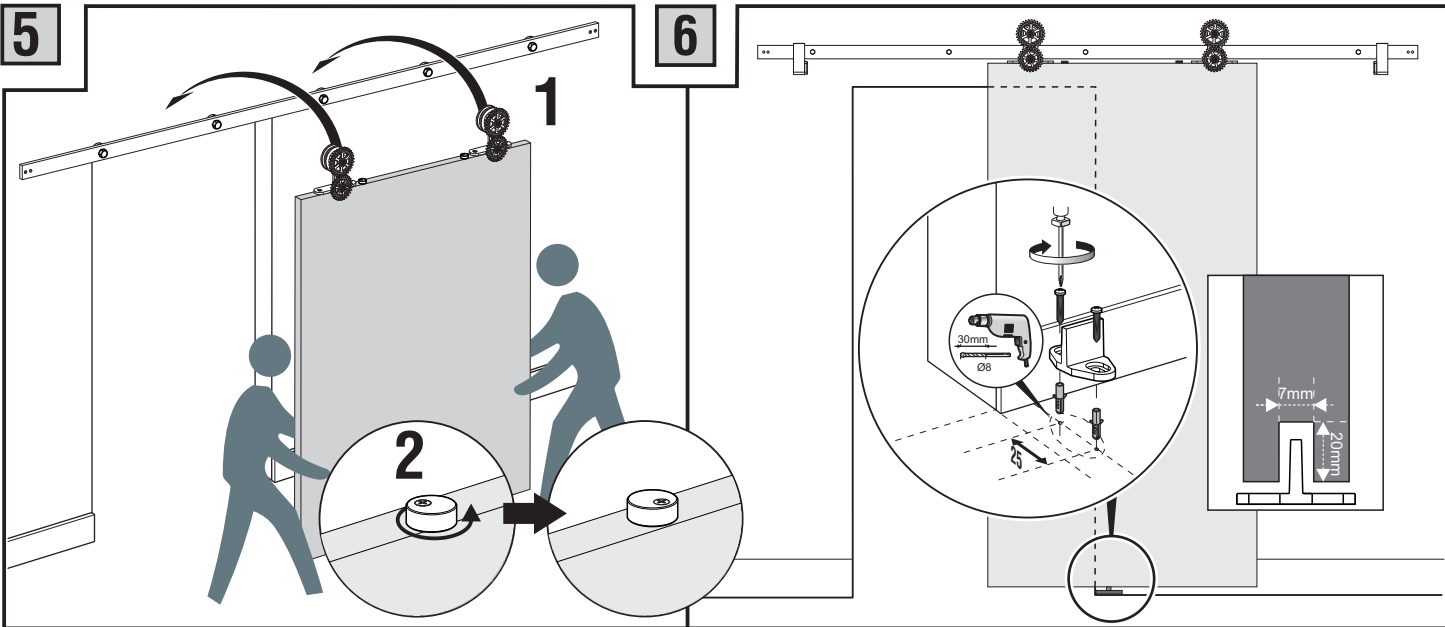


Installation Manual



To obtain the maximum weight capacity, all rail mounting fasteners must be mounted directly into solid wood. Do NOT install directly onto a drywall surface. A solid wood header is recommended as shown in instruction box 2.





9

