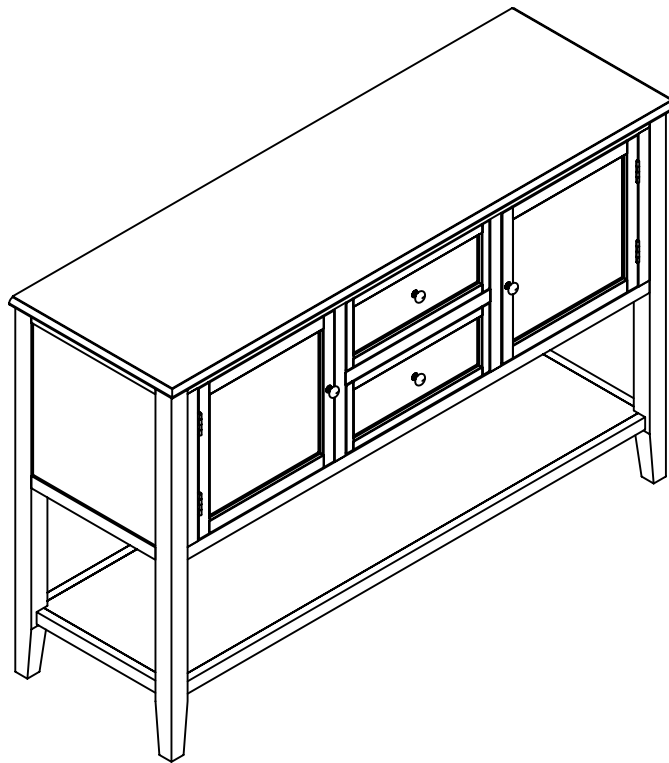


USE AND CARE GUIDE

2-DOOR CABINET/CONSOLE



Questions, problems, missing parts? Before returning to the store,
call Home Decorators Collection Customer Service.
8 a.m. – 7 p.m., EST, Monday – Friday, 9 a.m. – 6 p.m., EST, Saturday

1-800-998-7021

HOMEDEPOT.COM/HOMEDECORATORS

THANK YOU

We appreciate the trust and confidence you have placed in Home Decorators Collection through the purchase of this 2-door cabinet/console. We strive to continually create quality products designed to enhance your home. Visit us online to see our full line of products available for your home improvement needs. Thank you for choosing Home Decorators Collection!

Table of Contents

Table of Contents.....	2	Hardware Included.....	3
Safety Information.....	2	Pre-assembly (continued).....	4
Warranty.....	2	Package Contents.....	4
3 Year Warranty.....	2	Assembly.....	5
What is Covered.....	2		
What is Not Covered.....	2		
Pre-assembly.....	3		
Planning Assembly.....	3		
Tools Required.....	3		

Safety Information



DANGER

- Keep small parts away from children during assembly.
- Read and follow instructions carefully.



WARNING

- Read these instructions carefully and keep in a safe place.
- TO GUARANTEE THE SAFE USE OF THIS PRODUCT, FOLLOW THE WARNINGS, GUIDELINES AND RECOMMENDATIONS IN THIS MANUAL.
- Adult assembly required.
- Small parts may present choking hazard prior to assembly.
- Do not place heavy objects on the glass top.
- Some assembly may involve attaching glass or mirrors.
- Be very careful handling the glass or mirrors, as severe injury may result if the glass or mirror breaks.
- Never handle large pieces of glass or mirrors by yourself.



CAUTION

- Do not use power tools to assemble your furniture. Power tools may strip or damage parts/product.
- Do not overtighten connectors (screws, bolts, etc.). Overtightening can lead to product damage.
- Be sure to check all packing materials carefully for small parts that may have come loose inside the carton during shipment. If parts are missing, contact THE HOME DEPOT to obtain any missing parts.
- DO NOT USE SUBSTITUTE PARTS.
- This product should only be used on a flat, level surface.

Warranty

3 YEAR WARRANTY

WHAT IS COVERED

We guarantee this product to be free of manufacturing defects to the original purchaser for three years.

WHAT IS NOT COVERED

This warranty does not cover commercial use, acts of nature, and abusive use.

Pre-assembly

PLANNING ASSEMBLY

Keep children and pets away from build area. Make sure your area is large enough to unpack, sort and assemble the unit.

TOOLS REQUIRED



Small head
Phillips
screwdriver



Large head
Phillips
screwdriver

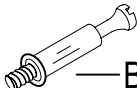
HARDWARE INCLUDED



NOTE: Hardware not shown to actual size.



—AA



—BB



—CC



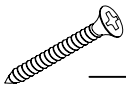
—DD



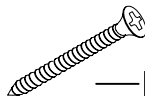
—EE



—FF



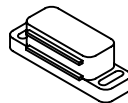
—GG



—HH



—II



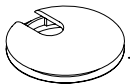
—JJ



—KK



—LL



—MM



(1) x 2



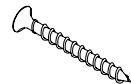
(2) x 1



(3) x 1



(4) x 1



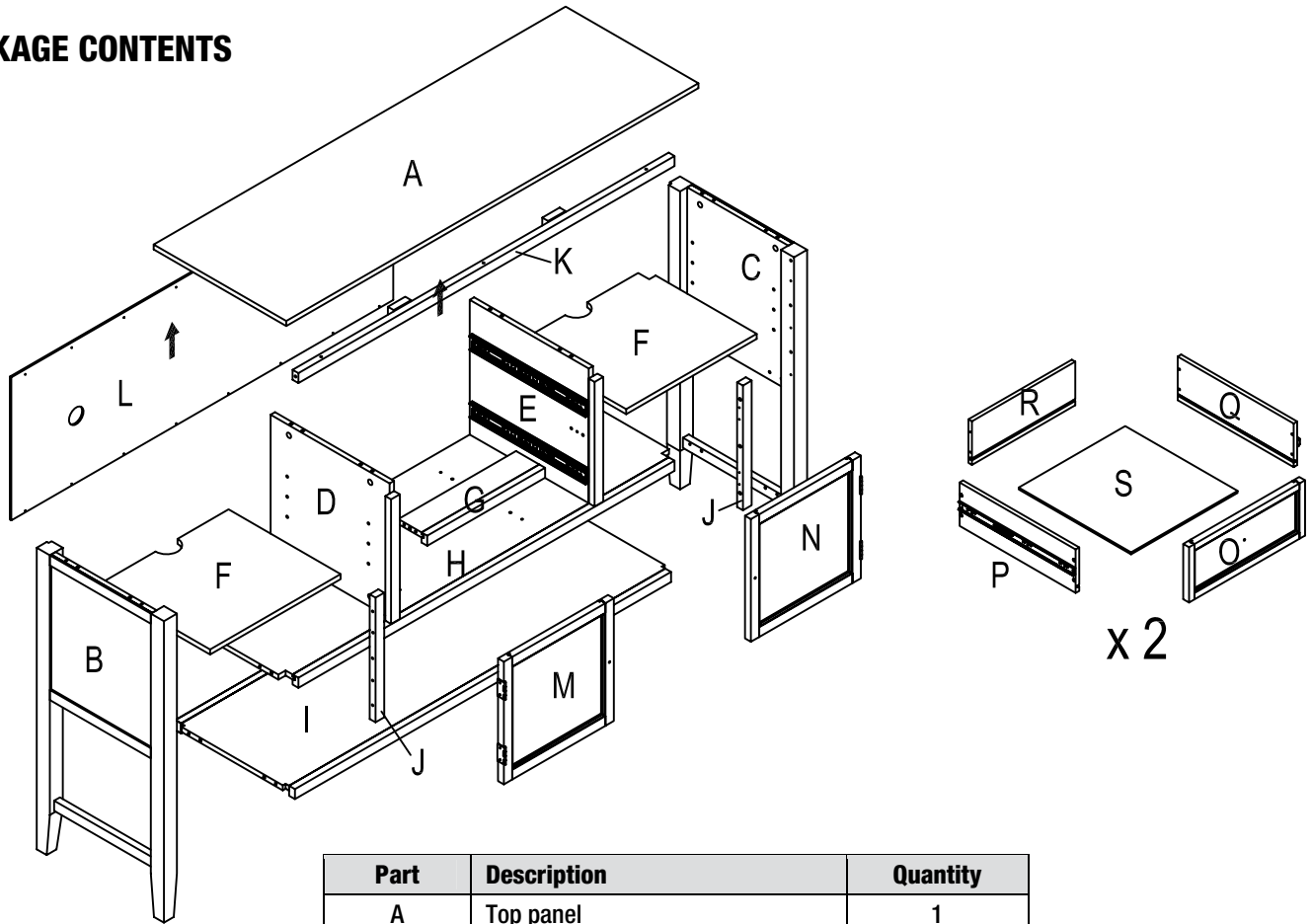
(5) x 1

—NN

Part	Description	Quantity
AA	Wood dowel	30
BB	Cam lock bolt	22
CC	Cam lock	22
DD	Plastic cover	12
EE	Knob	4
FF	Bolt	4
GG	1 in. Flat head screw	19
HH	1-1/2 in. Flat head screw	6
II	1/2 in. Flat head screw	8
JJ	Magnet	2
KK	5/8 in. Round head screw	26
LL	Shelf support	8
MM	Wire plug	2
NN	Anti-tipping hardware package	1

Pre-assembly (continued)

PACKAGE CONTENTS

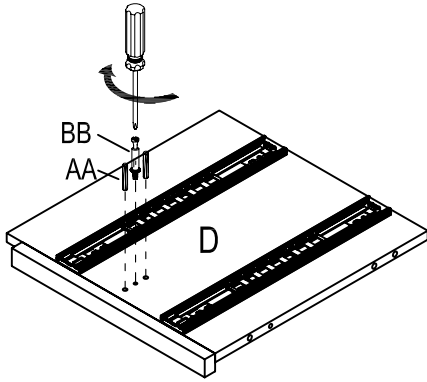


Part	Description	Quantity
A	Top panel	1
B	Left side panel	1
C	Right side panel	1
D	Left partition	1
E	Right partition	1
F	Adjustable shelf	2
G	Crossbar	1
H	Fixed panel	1
I	Bottom panel	1
J	Short crossbar	2
K	Front crossbar	1
L	Back panel	1
M	Left door	1
N	Right door	1
O	Drawer front panel	2
P	Drawer left side panel	2
Q	Drawer right side panel	2
R	Drawer back panel	2
S	Drawer bottom panel	2

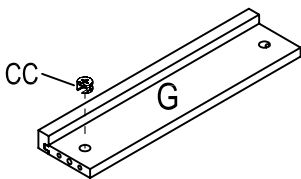
Assembly

1 Attaching the crossbar to the left partition

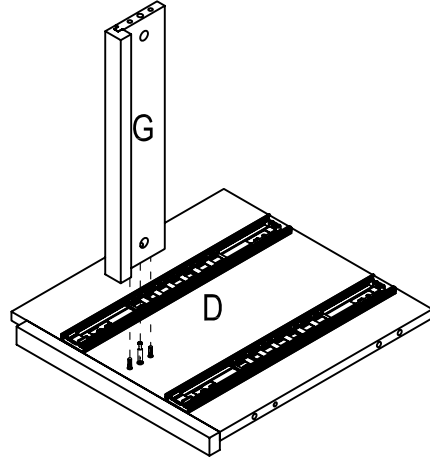
- a) Install dowel (AA) and bolt (BB) into partition (D).



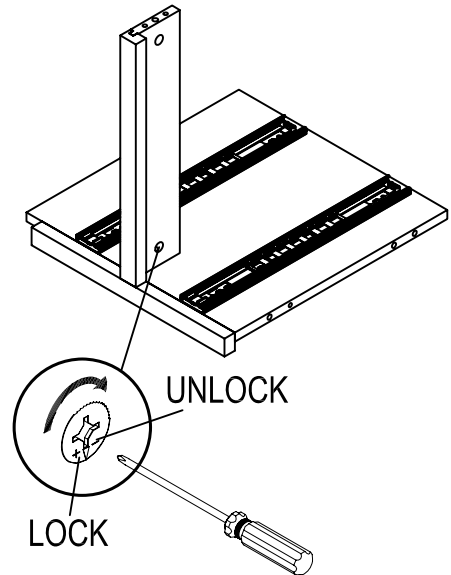
- b) Insert lock (CC) into bar (G).



- c) Join bar (G) to the partition (D) with dowel (AA).



- d) Tighten bolt (BB) with lock (CC) in the pre-drilled hole.



Wood dowel

Cam lock bolt

Cam lock

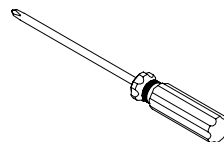
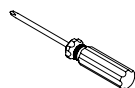
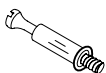
Small head

Large head

(AA) x 2

(BB) x 1

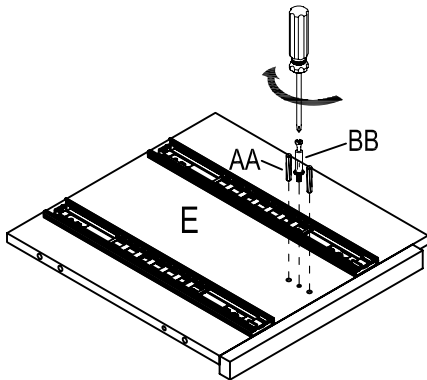
(CC) x 1



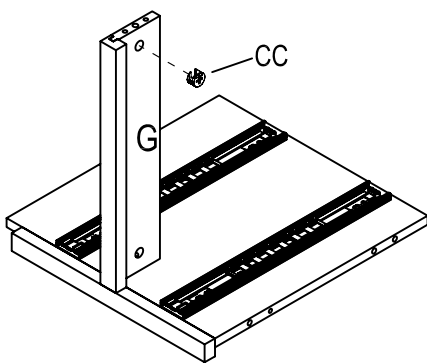
Assembly (continued)

2 Attaching the right partition

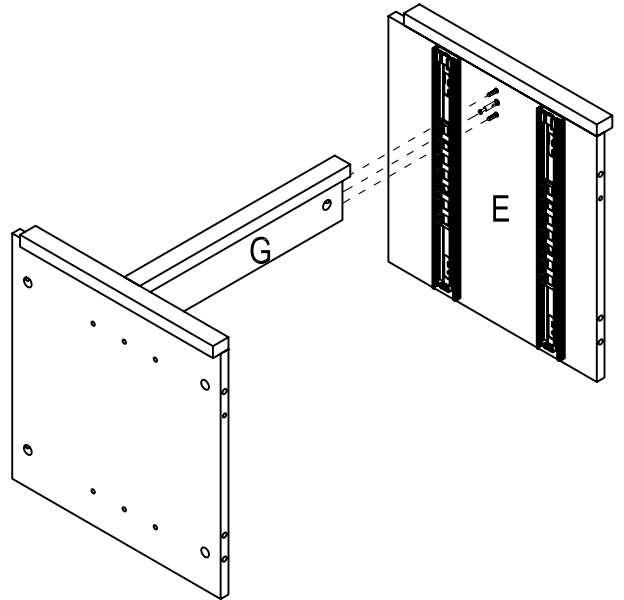
- a) Install dowel (AA) and bolt (BB) into partition (E).



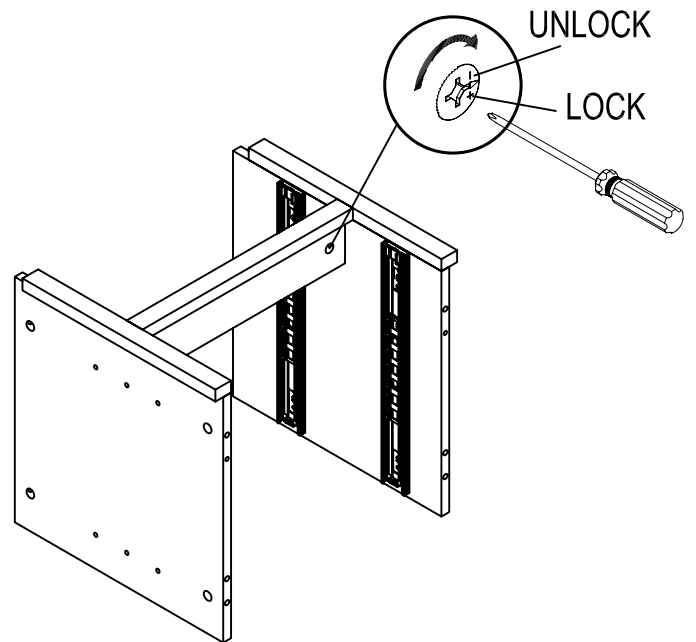
- b) Insert lock (CC) into bar (G).



- c) Join partition (E) to the bar(G) with dowel (AA).



- d) Tighten bolt (BB) with lock (CC) in the pre-drilled hole.



Wood dowel

Cam lock bolt

Cam lock

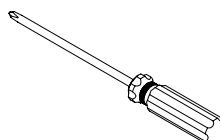
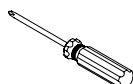
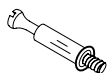
Small head

Large head

(AA) x 2

(BB) x 1

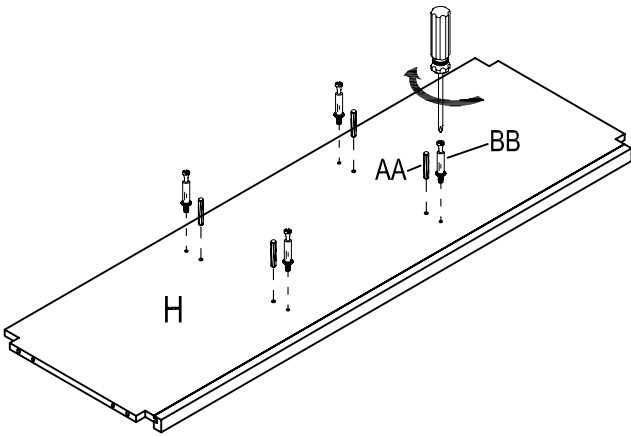
(CC) x 1



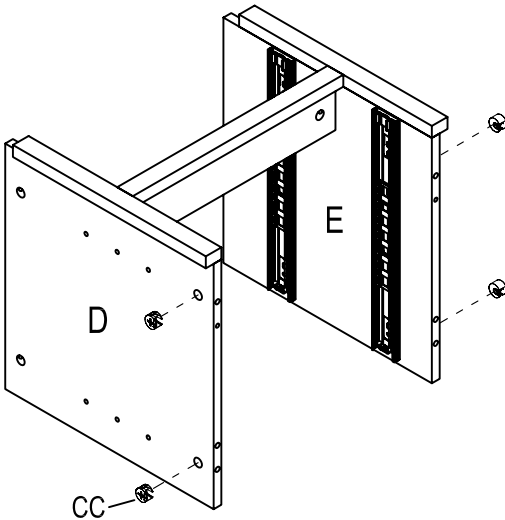
Assembly (continued)

3 Attaching the fixed panel

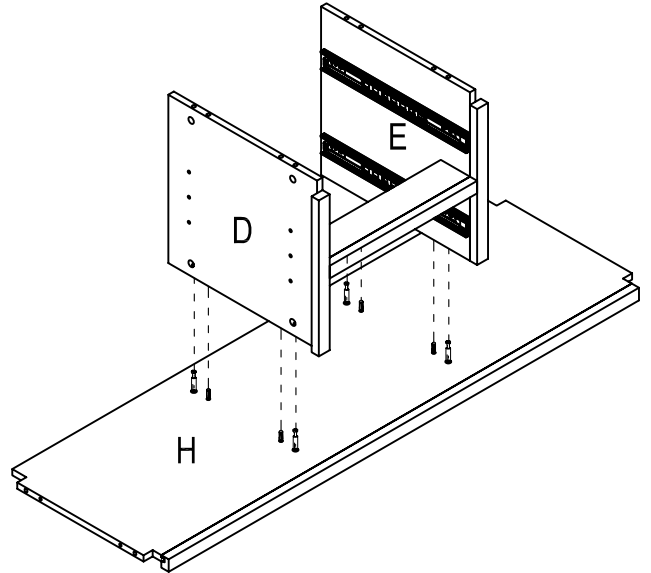
- a) Install dowel (AA) and bolt (BB) into panel (H).



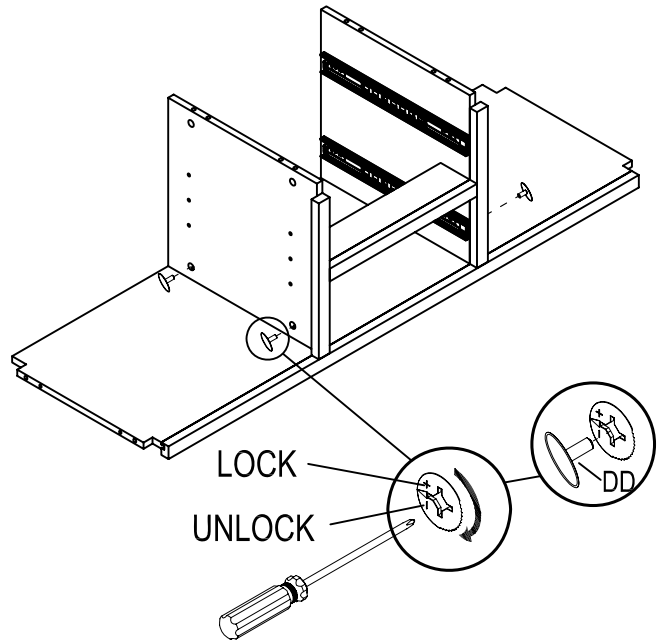
- b) Insert lock (CC) into partitions (D) and (E).



- c) Join partitions (D) and (E) to the panel (H) with dowel (AA).



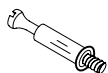
- d) Tighten bolt (BB) with lock (CC) in the pre-drilled holes.



- e) Cover the cam holes with the cover (DD).

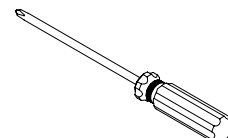
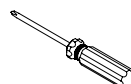
Wood dowel Cam lock bolt Cam lock Plastic cover

(AA) x 4 (BB) x 4 (CC) x 4 (DD) x 4



Small head

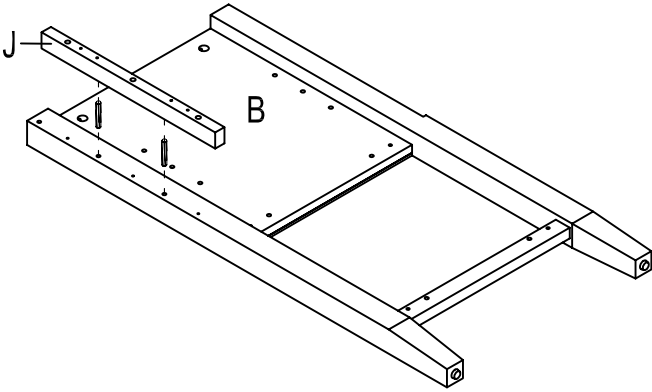
Large head



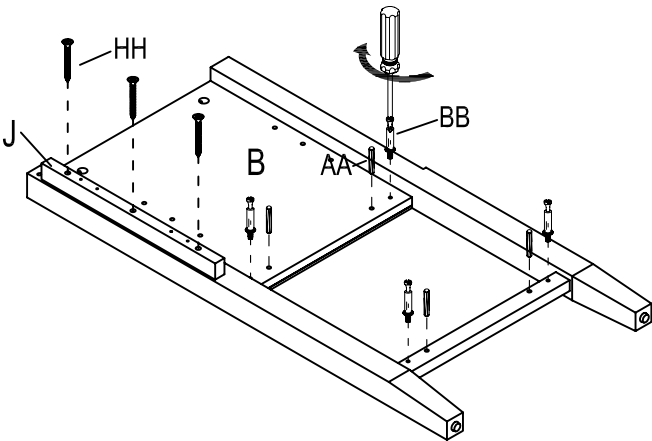
Assembly (continued)

4 Attaching the short crossbar and left side panel

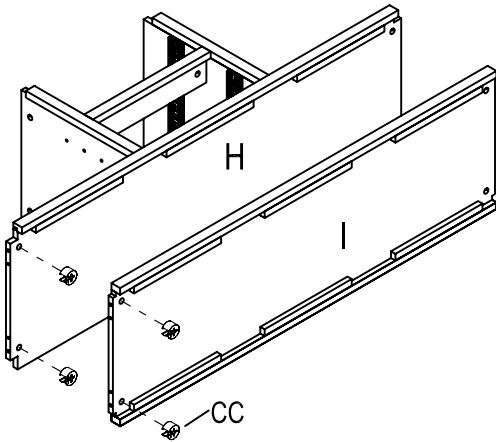
- a) Join bar (J) to the panel (B) with dowel (AA).



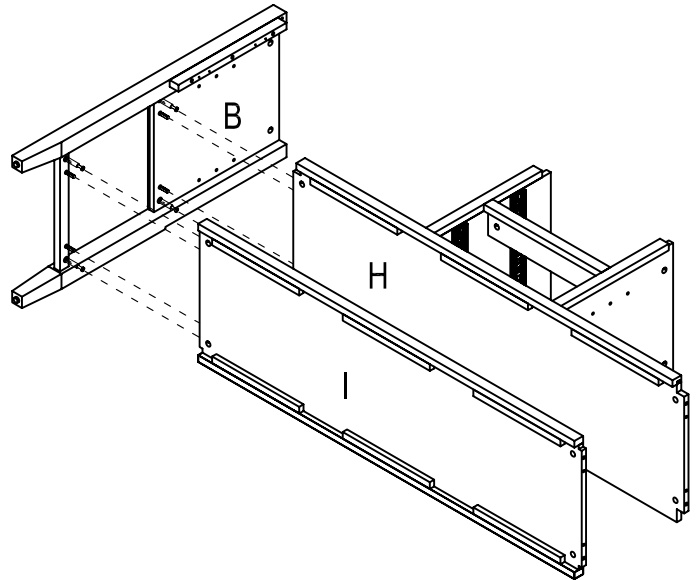
- b) Install dowel (AA) and bolt (BB) into panel (B). Tighten bar (J) with screw (HH).



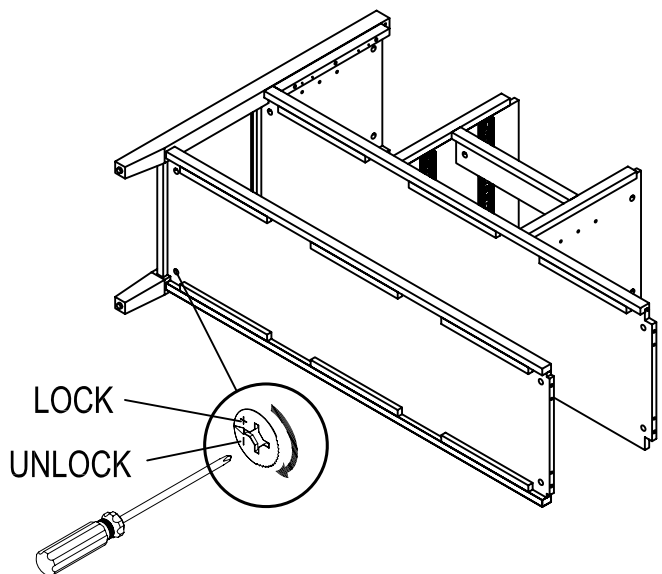
- c) Insert lock (CC) into panels (H) and (I).



- d) Join panel (B) to the assembled body and panel (I) with dowel (AA).



- e) Tighten bolt (BB) with lock (CC) in the pre-drilled holes.



Wood dowel

Cam lock bolt

Cam lock

1-1/2 in. Flat head screw

Small head

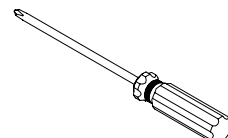
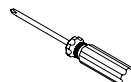
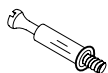
Large head

(AA) x 6

(BB) x 4

(CC) x 4

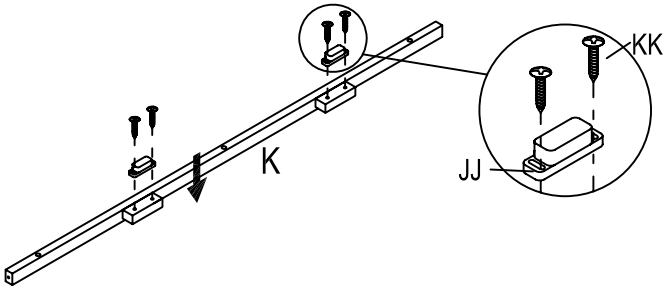
(HH) x 3



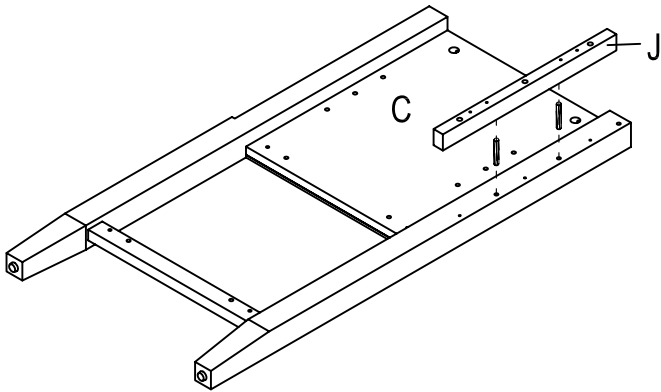
Assembly (continued)

5 Attaching the front crossbar, short crossbar and right side panel

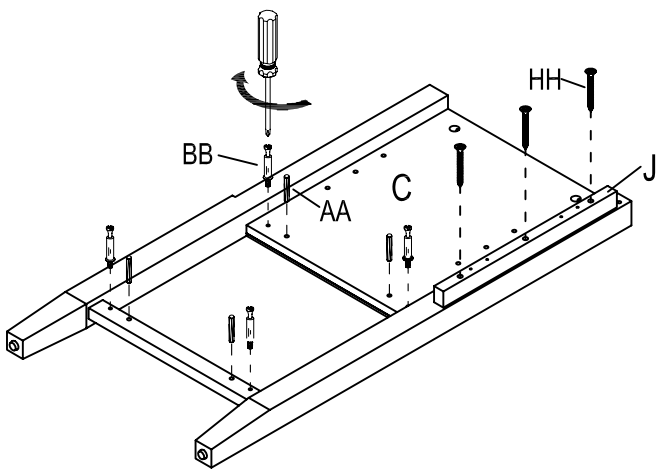
- a) Attach magnet (JJ) to bar (K) with screw (KK).



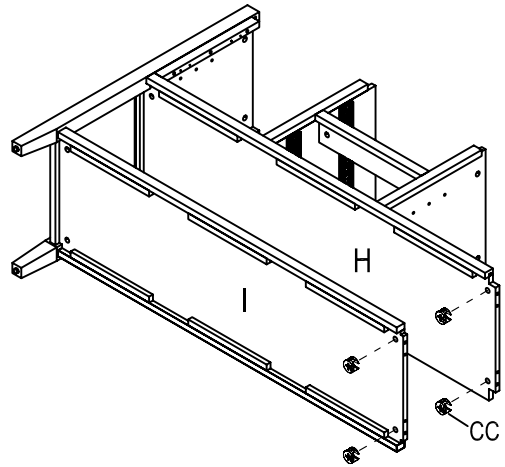
- b) Join bar (J) to the panel (C) with dowel (AA).



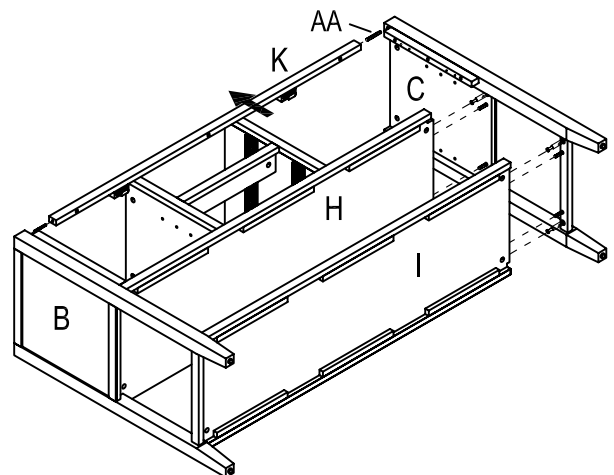
- c) Install dowel (AA) and bolt (BB) into panel (C). Tighten bar (J) with screw (HH).



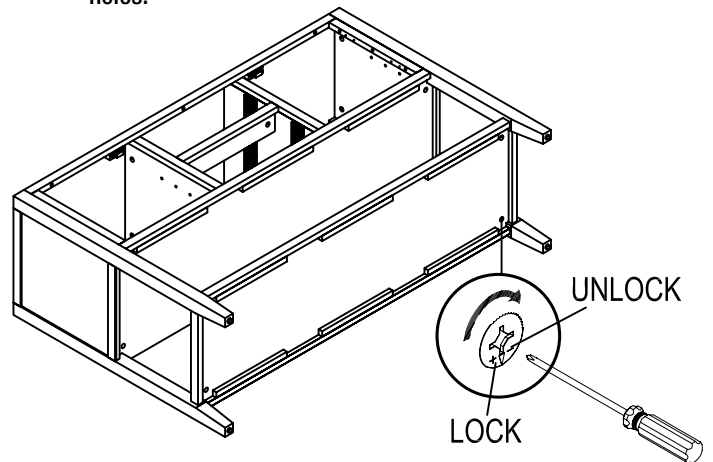
- d) Insert lock (CC) into panels (H) and (I).



- e) Join panel (C) and bar (K) to the assembled body with dowel (AA).



- f) Tighten bolt (BB) with lock (CC) in the pre-drilled holes.

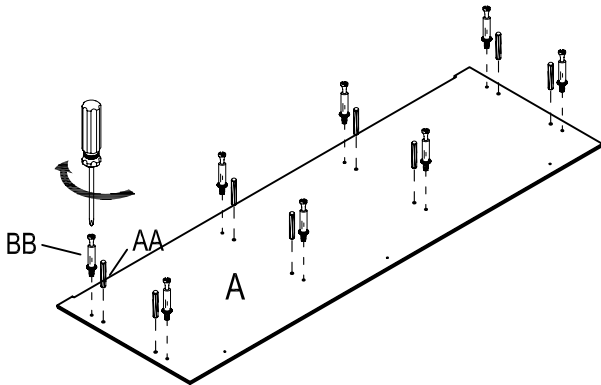


Wood dowel (AA) x 8	Cam lock bolt (BB) x 4	Cam lock (CC) x 4	1-1/2 in. Flat head screw (HH) x 3	Magnet (JJ) x 2	5/8 in. Round head screw (KK) x 4	Small head	Large head

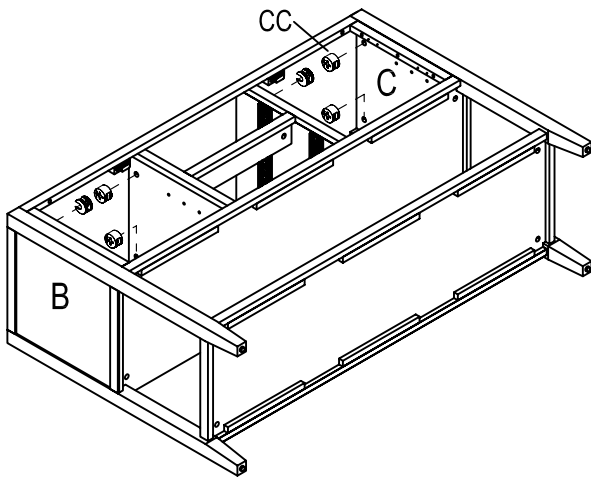
Assembly (continued)

6 Attaching the top panel

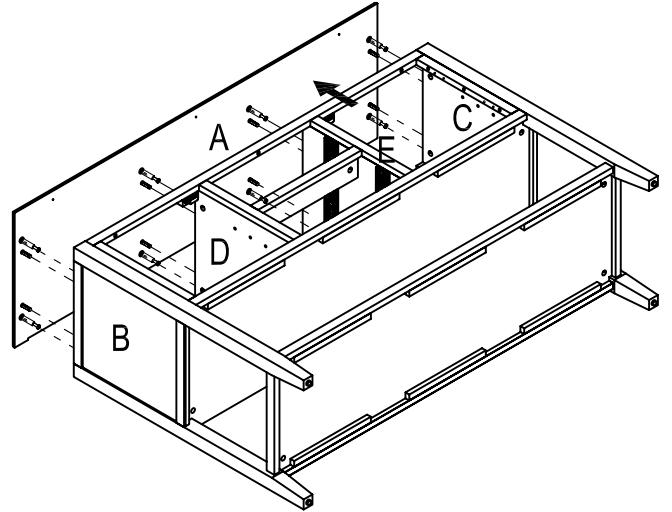
- a) Install dowel (AA) and bolt (BB) into panel (A).



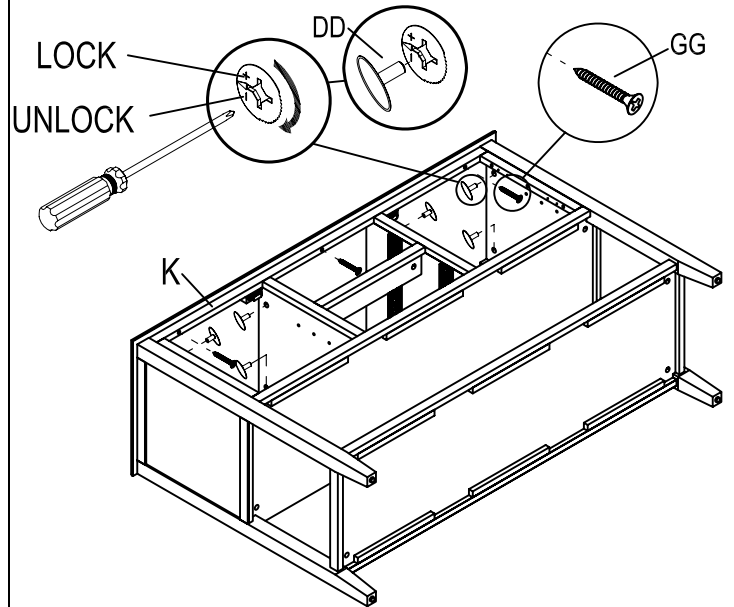
- b) Insert lock (CC) into panels (B) and (C), and partitions (D) and (E).



- c) Join panel (A) to the assembled body with dowel (AA).



- d) Tighten bolt (BB) with lock (CC) in the pre-drilled holes.



- e) Tighten bar (K) with screw (GG).
Cover the cam holes with the cover (DD).

Wood dowel

Cam lock bolt

Cam lock

Plastic cover

1 in. Flat head screw

Small head

Large head

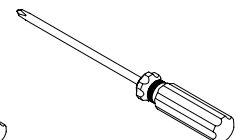
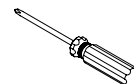
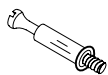
(AA) x 8

(BB) x 8

(CC) x 8

(DD) x 8

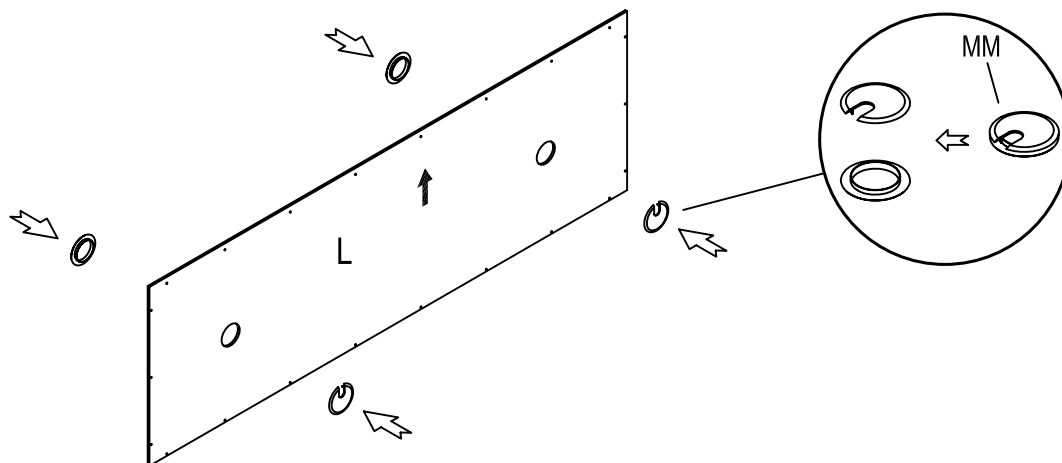
(GG) x 3



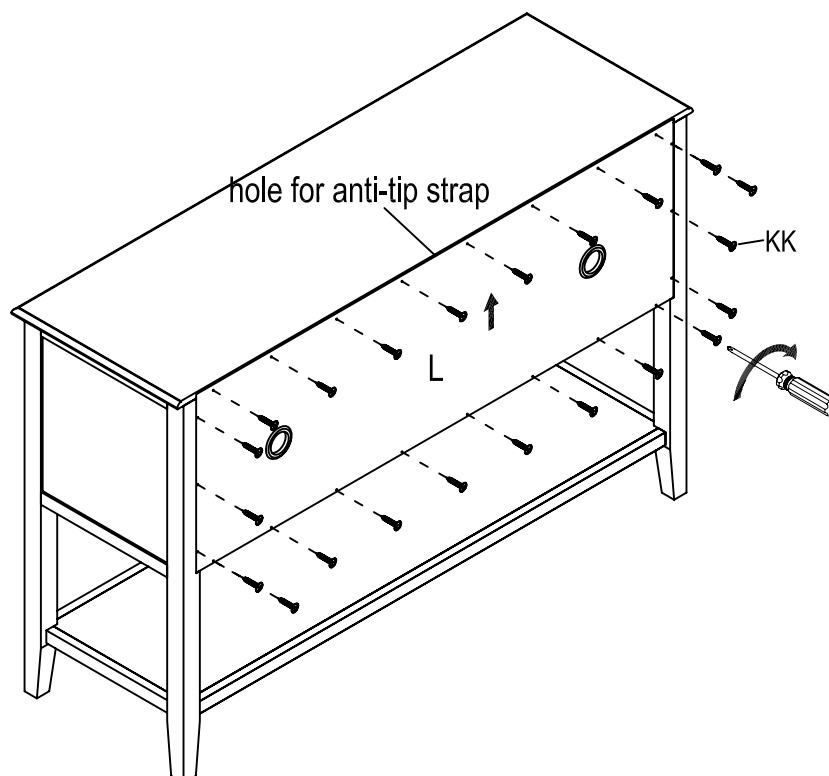
Assembly (continued)

7 Attaching the back panel

- a) Install wire plug (MM) into panel (L) as shown.



- b) Tighten panel (L) to the assembled body with screws (KK) as shown.



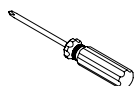
5/8 in. Round head
screw
(KK) x 22



Wire plug
(MM) x 2



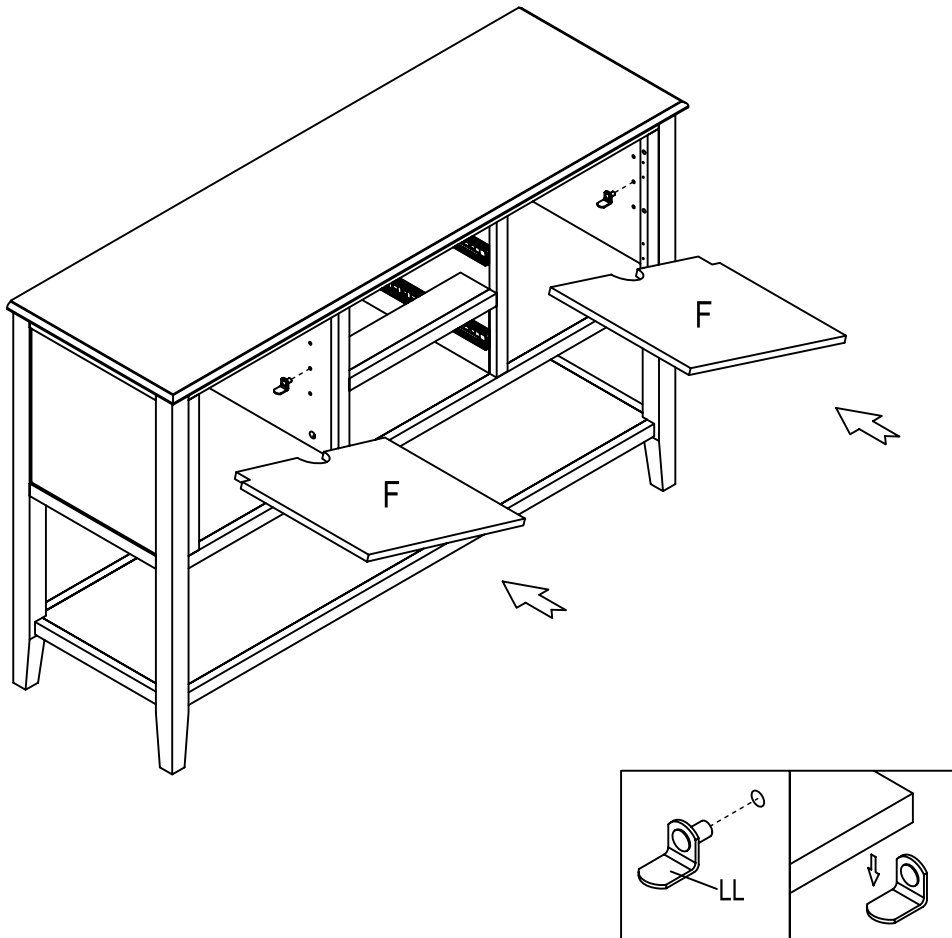
Small head



Assembly (continued)

8 Attaching the adjustable shelf

- Insert shelf supports (LL) in desired positions and place shelf (F) on the supports.



Shelf support

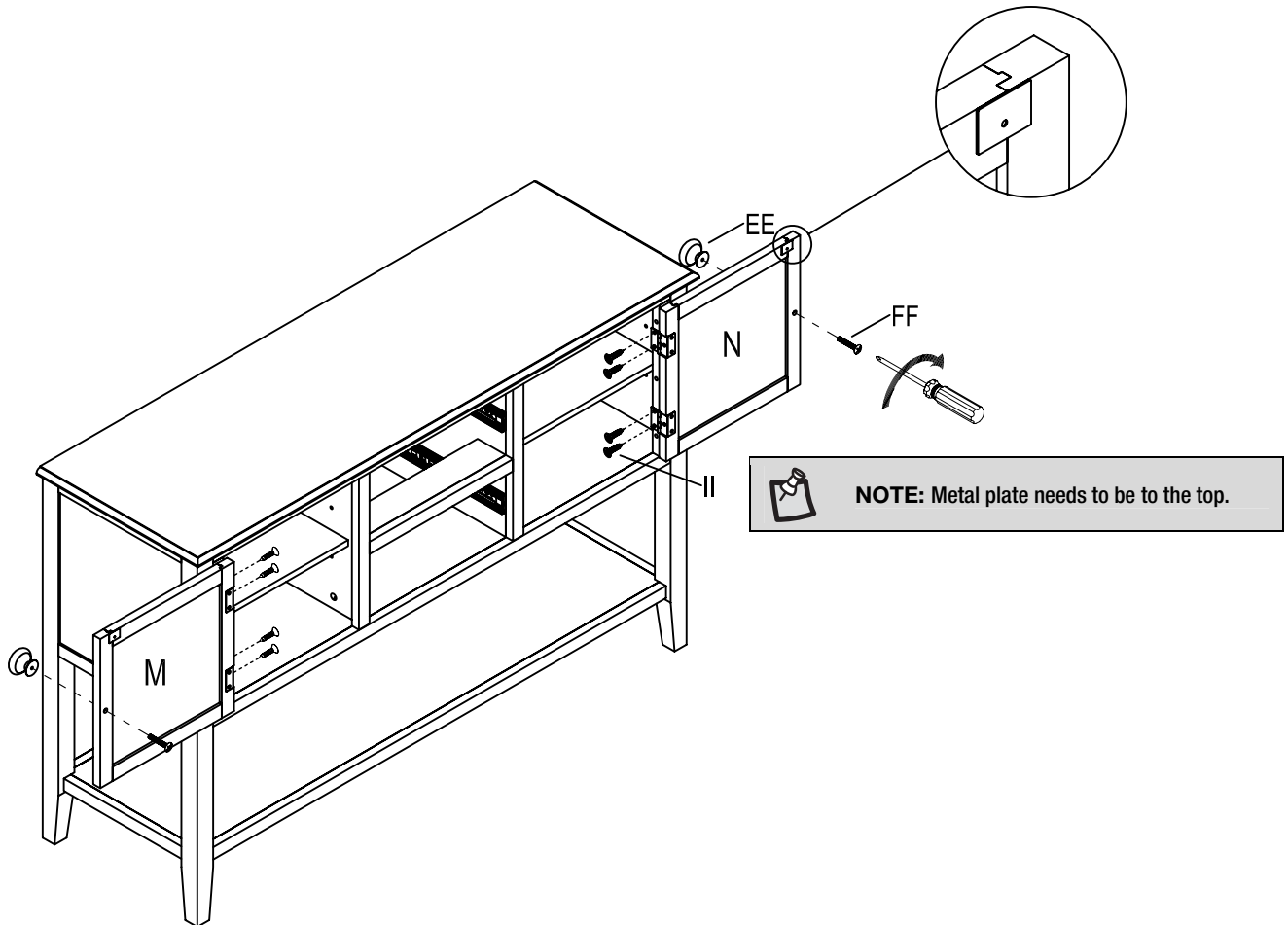
(LL) x 8



Assembly (continued)

9 Attaching the door

- a) Attach doors (M) and (N) to the assembled body with screw (II) as shown.



- b) Tighten knob (EE) to doors (M) and (N) with bolt (FF).



NOTE: A helper who can hold the door in position makes the door installation easier.

1/2 in. Flat head screw

(II) x 8



Knob

(EE) x 2

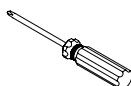


Bolt

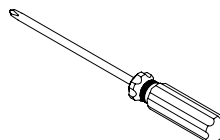
(FF) x 2



Small head



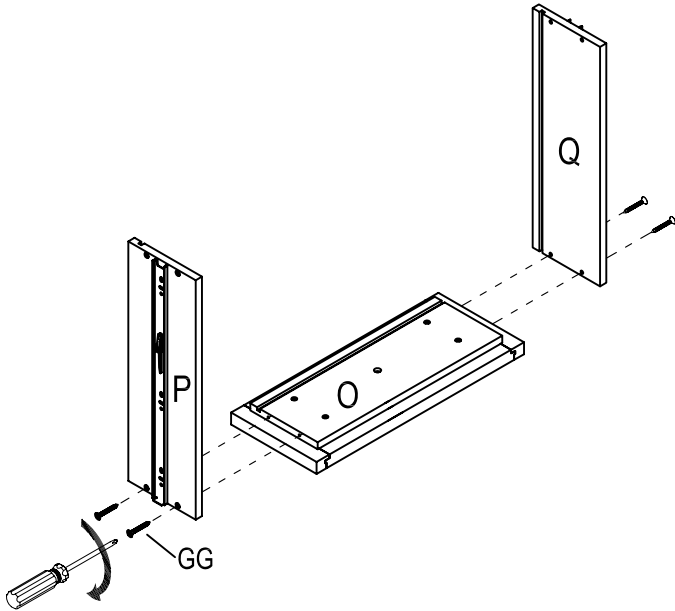
Large head



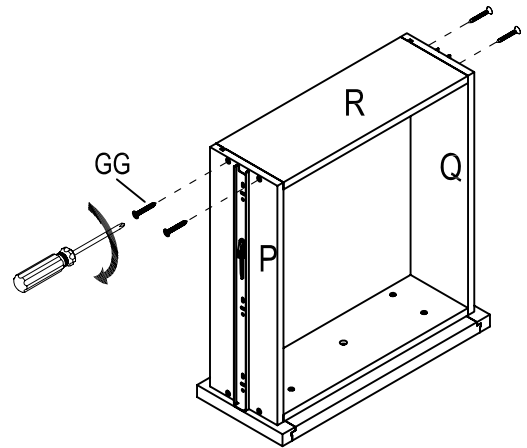
Assembly (continued)

10 Assembling the drawer

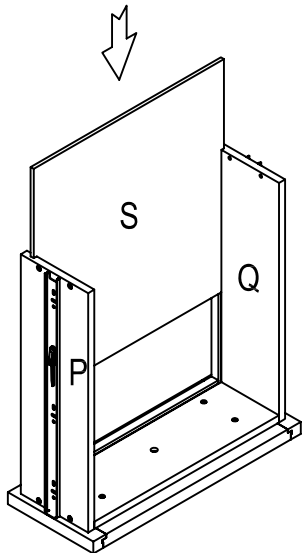
- a) Tighten panels (P) and (Q) to panel (O) with screw (GG).



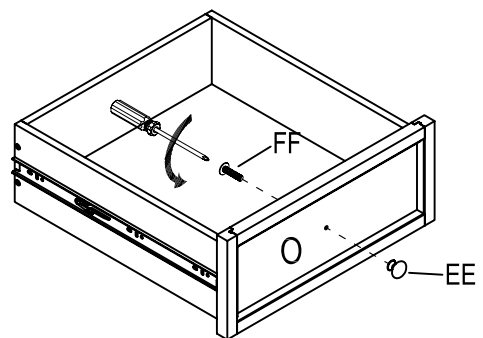
- c) Tighten panel (R) to the assembled body with screw (GG).



- b) Slide panel (S) into the grooves on panels (P) and (Q).



- d) Tighten knob (EE) to panel (O) with bolt (FF).



Knob

Bolt

1 in. Flat head screw

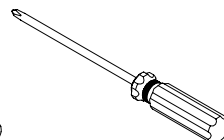
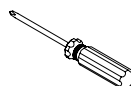
Small head

Large head

(EE) x 2

(FF) x 2

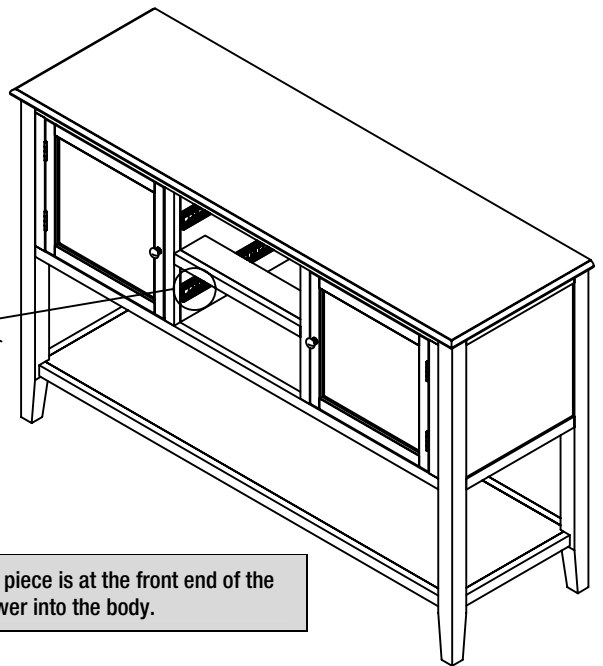
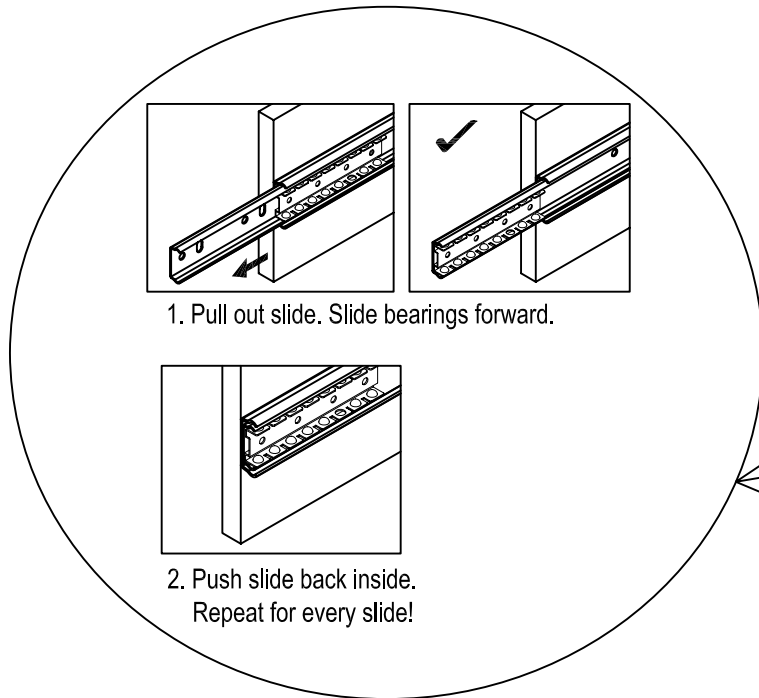
(GG) x 16



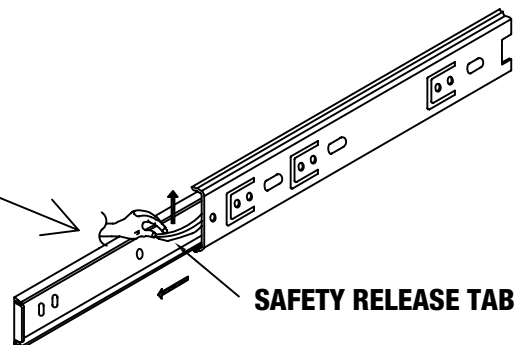
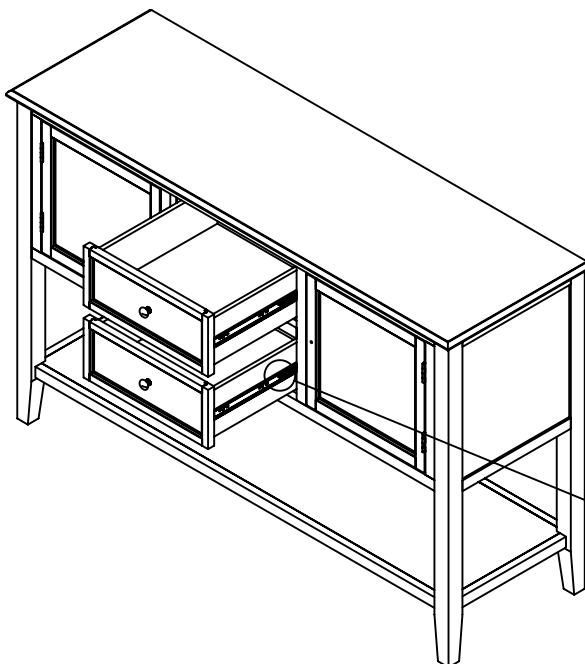
Assembly (continued)

11 Inserting the drawer

- Insert the drawer into the assembled body as shown.



NOTE: Make sure the slide piece is at the front end of the glide when installing the drawer into the body.

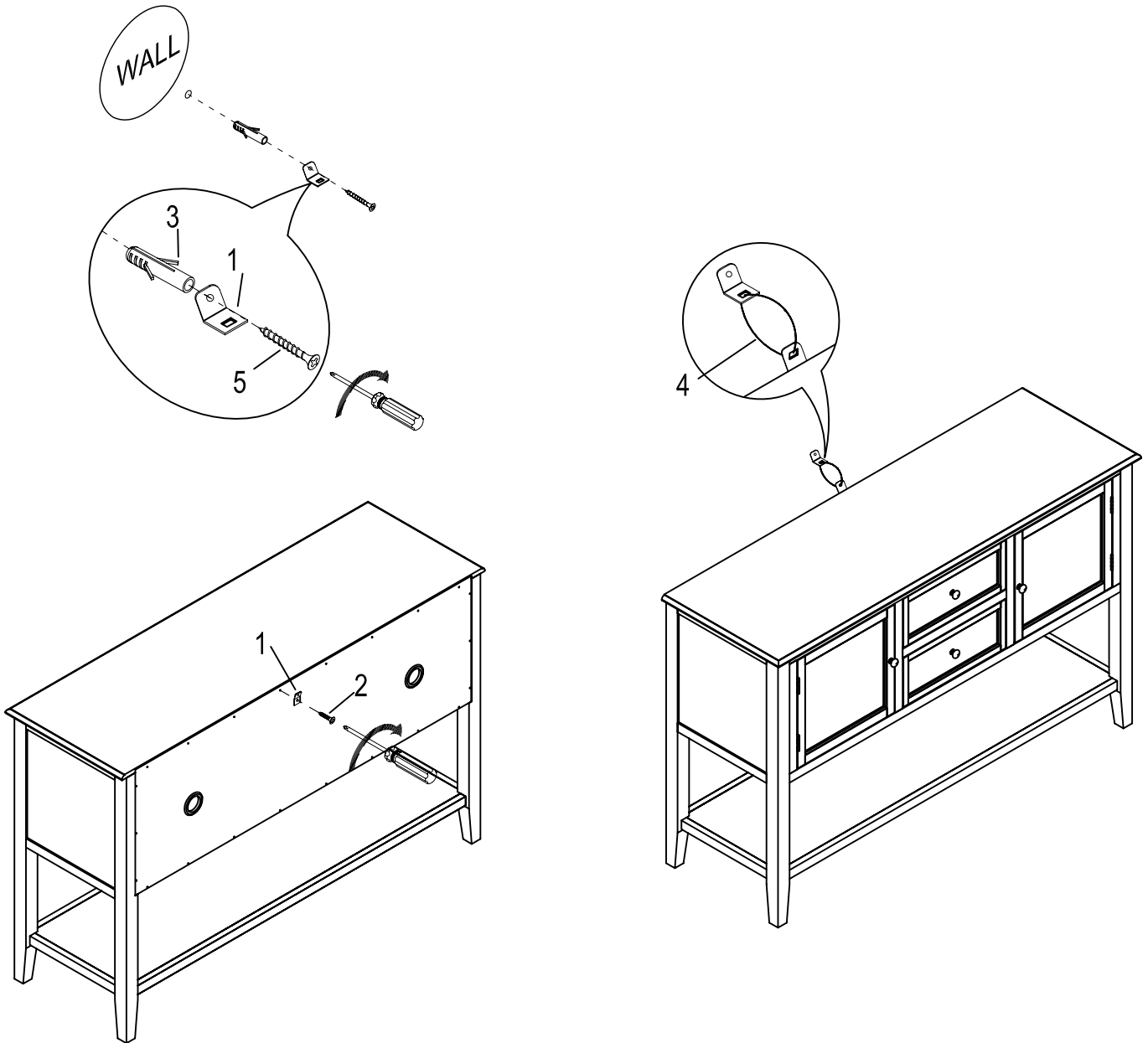






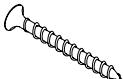
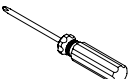
NOTE: When removing the drawer, tip-up the safety release tab to remove the drawer from the body.

Assembly (continued)

12 Finalizing the assembly

- Install the anti-tipping hardware as shown.



Rectangle metal plate (1) x 2	1/2 in. Flat head screw (2) x 1	Plastic anchor (3) x 1	Plastic band (4) x 1	1-1/2 in. Flat head screw (5) x 1	Small head
					
				NN	

HOME
DECORATORS
COLLECTION®

Questions, problems, missing parts?
Before returning to the store, call Home Decorators Collection Customer Service.
8 a.m. – 7 p.m., EST, Monday – Friday, 9 a.m. – 6 p.m., EST, Saturday

1-800-998-7021

[HOMEDEPOT.COM/HOMEDECORATORS](https://www.homedepot.com/homedecorators)

Retain this manual for future use.