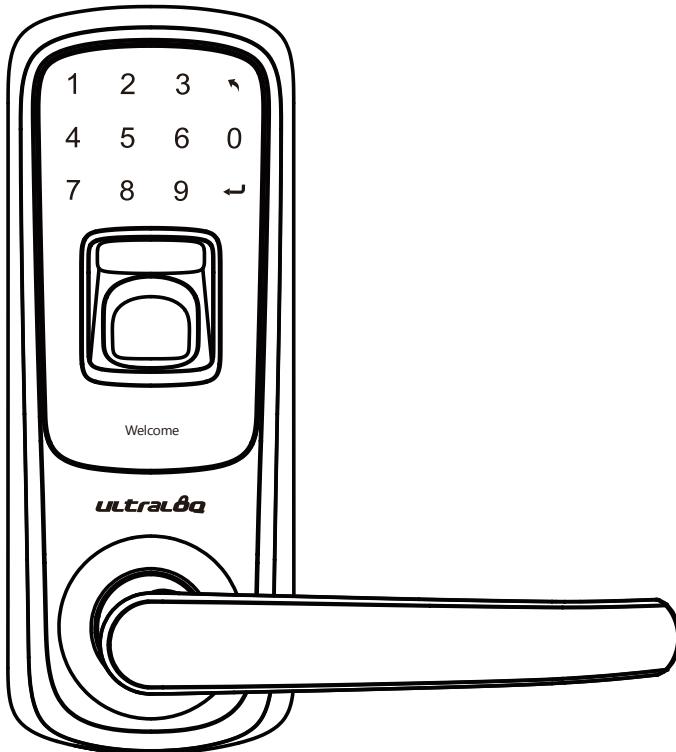




Ultraloq UL3 Series

Fingerprint and Touchscreen Smart Lock

Installation Instructions (v1.5)



ultral0q

Installation Video

Please watch our easy step by step installation video before attempting to install your UltraIQ UL3 Series Fingerprint and Touchscreen Smart Lock.



www.u-tec.com/support

If you have questions regarding the installation process, please contact us at support@u-tec.com

Important Notes

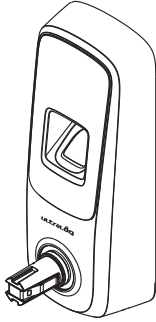
- Do not use a power drill for installation.
- Install and test the lock with the door open to avoid being locked out.
- Please read all the instructions before contacting customer support.
- Please contact customer support before returning the product to the store.
- DO NOT install the batteries before installing the lock!
Follow the instructions in sequential order!
- If you have previously installed this lock on another door, you must perform a Factory Default Reset FIRST! See the User Guide for more information.
- This lock is designed for the following operating temperatures:
Outside Lock Body (exterior mounted): -31° F (-35° C) to 158° F (70° C)
Inside Lock Body (interior mounted): 14° F (-10° C) to 131° F (55° C)

Need Help?

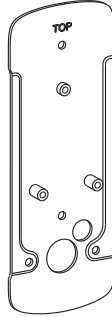
For technical documents and more
Please visit www.u-tec.com/support
Tel: 844-HEY-UTEC (844-439-8832)
Email: support@u-tec.com

Included in the box

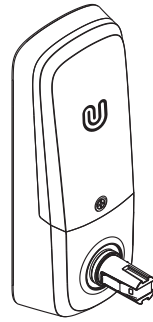
Exterior Assembly



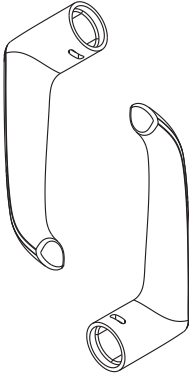
Interior Mounting Plate



Interior Assembly



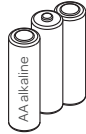
Handle



Spindle



AA Batteries



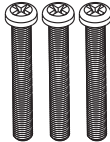
Screwdriver



Screw A



Screw B



Screw C



Screw D



Screw E



Strike



Latch



Backup Keys



Spring



STEP 1

Preparing Door

Check the door's dimensions.

Step 1:

Measure to confirm that the door is between $1\frac{3}{8}$ " ~ $1\frac{3}{4}$ " (35 mm-44mm) thick.

Step 2:

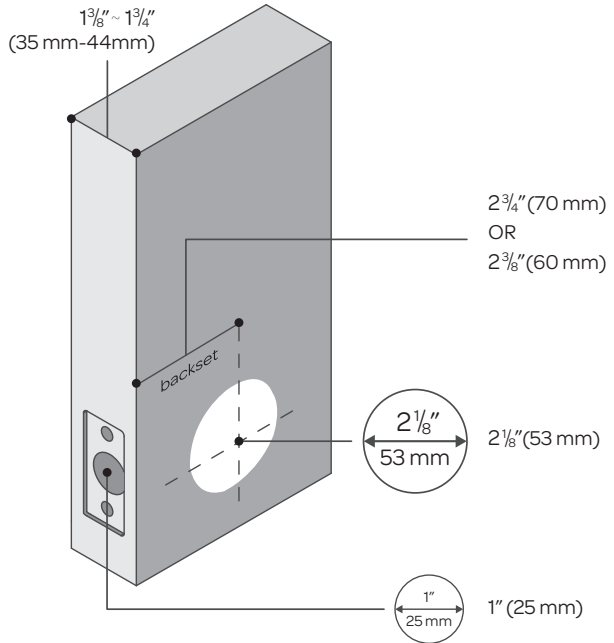
Measure to confirm that the hole in the door is $2\frac{1}{8}$ " (53 mm).

Step 3:

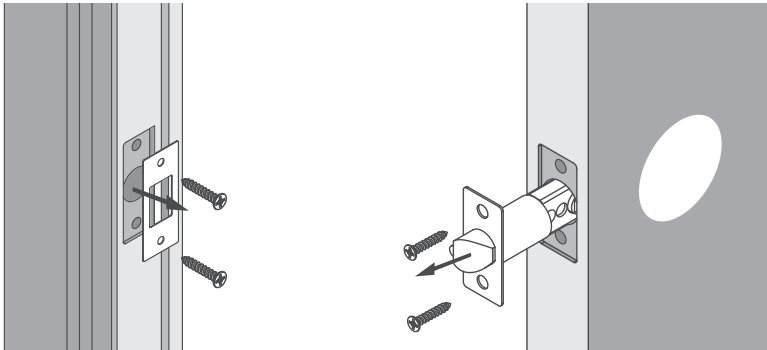
Measure to confirm that the backset is either $2\frac{3}{8}$ " ~ $2\frac{3}{4}$ " (60mm-70mm).

Step 4:

Measure to confirm that the hole in the door edge is 1" (25 mm).



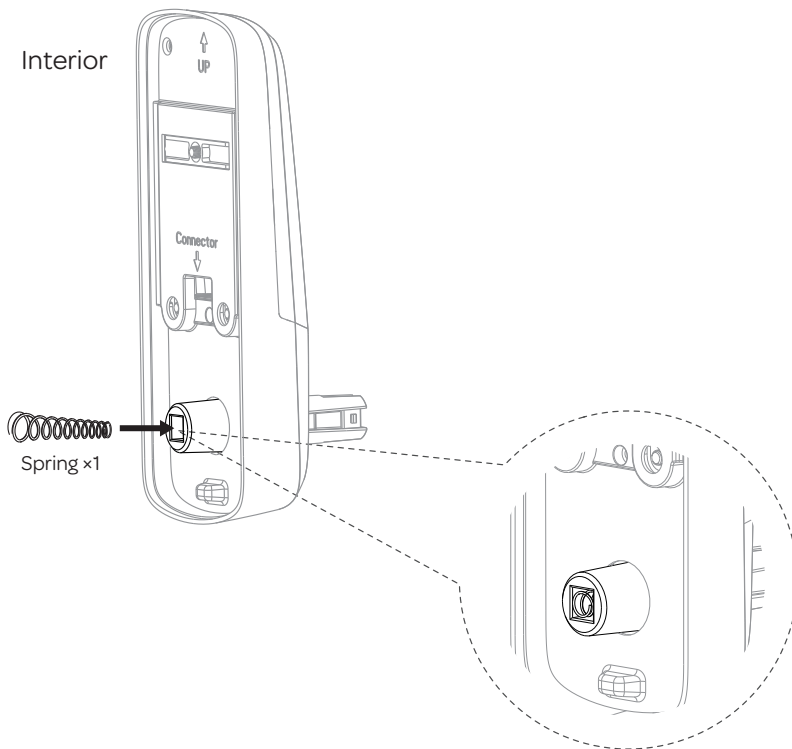
If you are installing UltraLoq on the door with an existing lock, please remove the current lock and latch.



STEP 2

Preparing Lock

If your door thickness is over 16.5"(42mm), please install this spring.



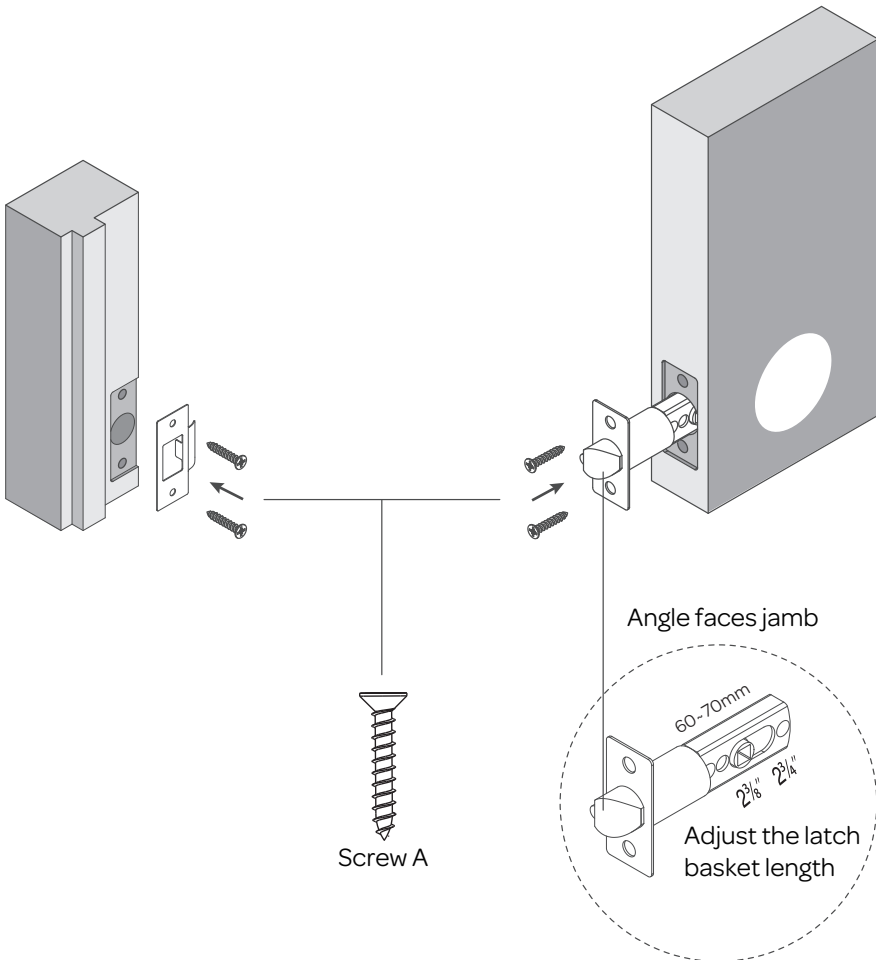
Before installing the lock on the door

1. Slide the battery cover up and out (note the two tabs at the bottom of the battery cover).
2. Remove the inside mounting plate (with gasket) from the back (door side) of the interior assembly.

STEP 3

Installing Latch and Strike

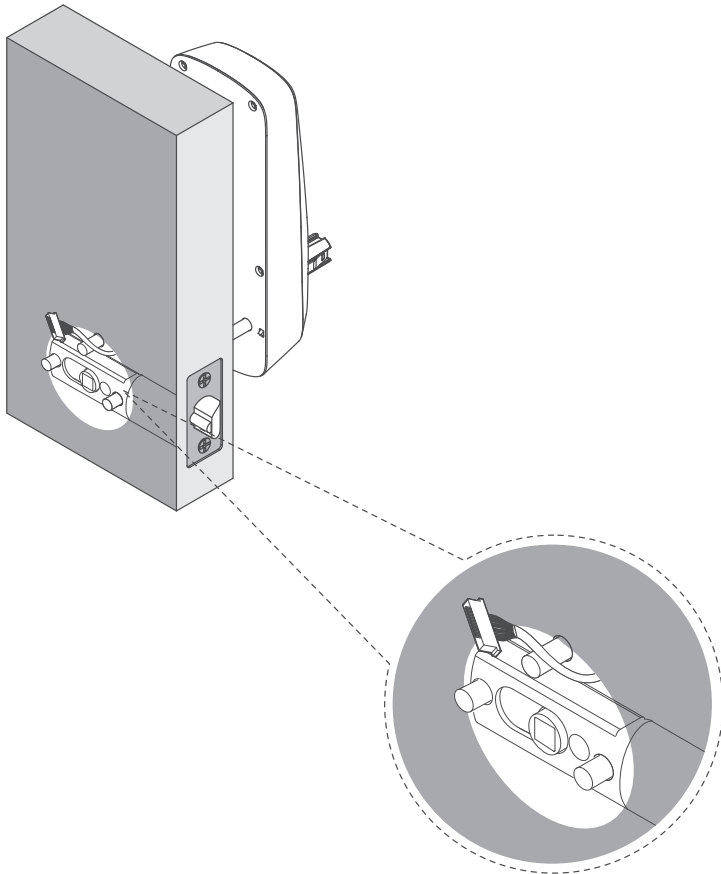
1. Install latch on the door. Make sure the latch angle faces door jamb.
2. Install the strike on the door frame, ensuring you allow for the bolt to be centered in the strike.



STEP 4

Installing Exterior Assembly

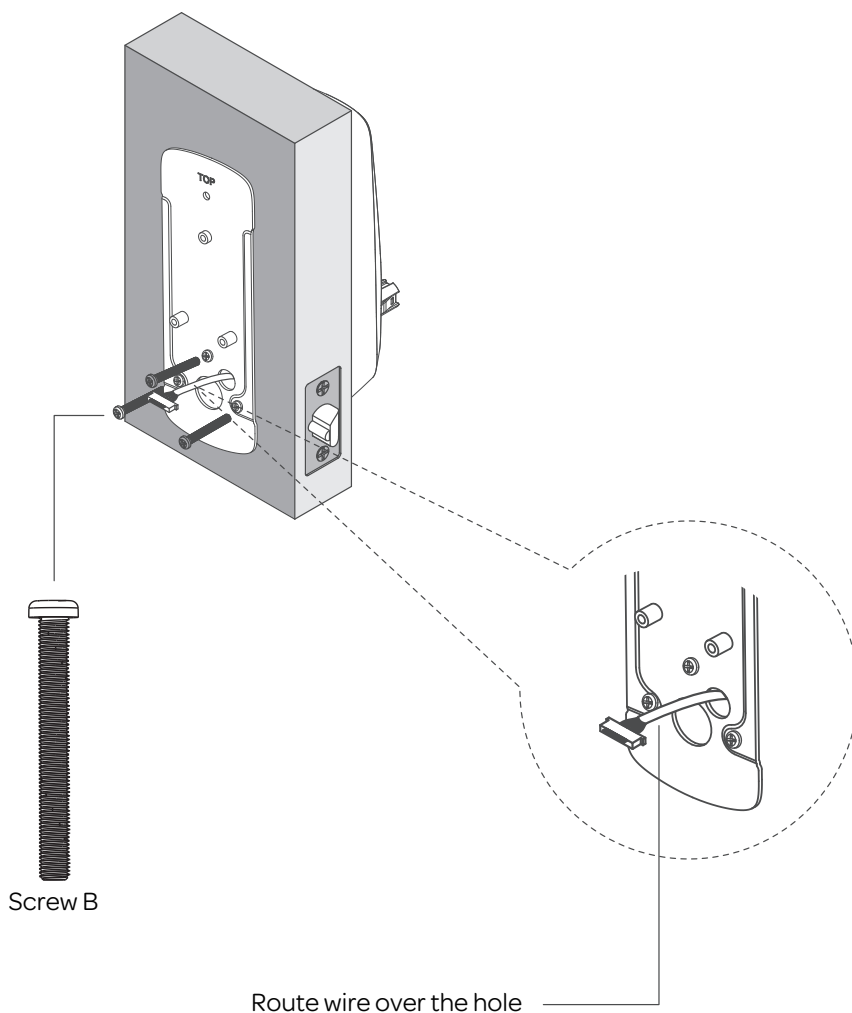
1. Install the exterior assembly.
2. Route the cable under bolt and through hole stated below.



STEP 5

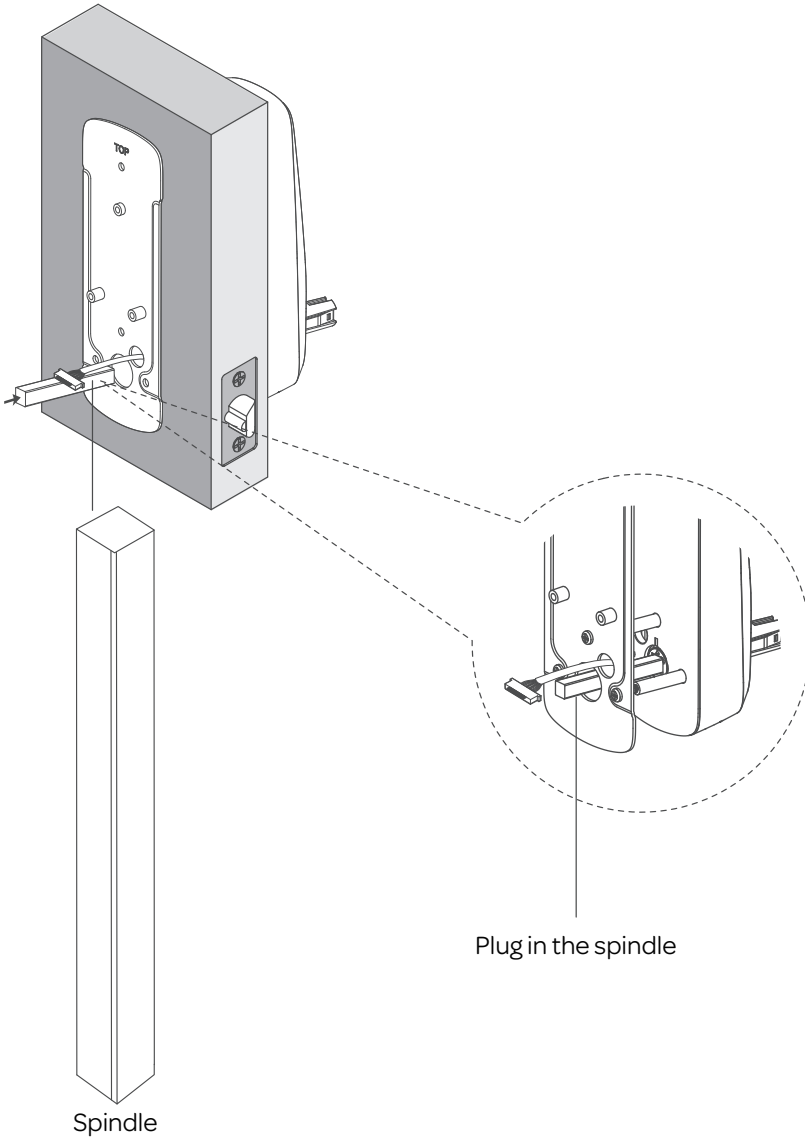
Installing Interior Mounting Plate

1. Install interior mounting plate.
2. Secure it to the exterior assembly using screws B.



STEP 6

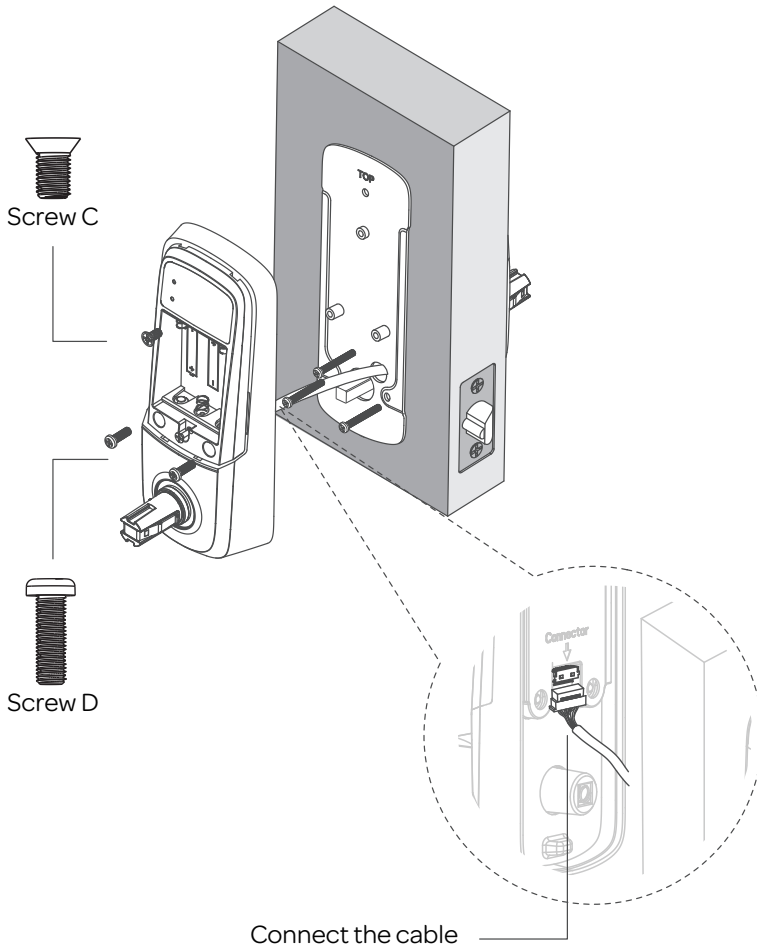
Plug In The Spindle



STEP 7

Installing Interior Assembly

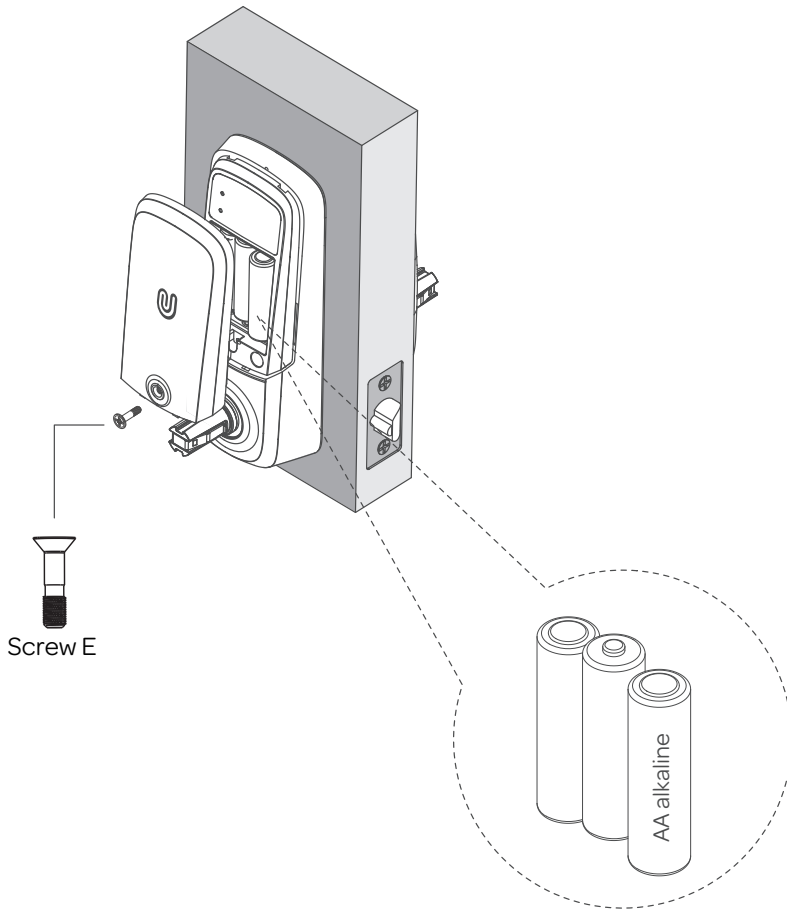
1. Attach the cable to the connector on interior assembly by lining up notches on the cable connector to slots on that connector. Press the connector in firmly using thumbs until completely seated.
2. Secure interior assembly using screws.



STEP 8

Installing Batteries

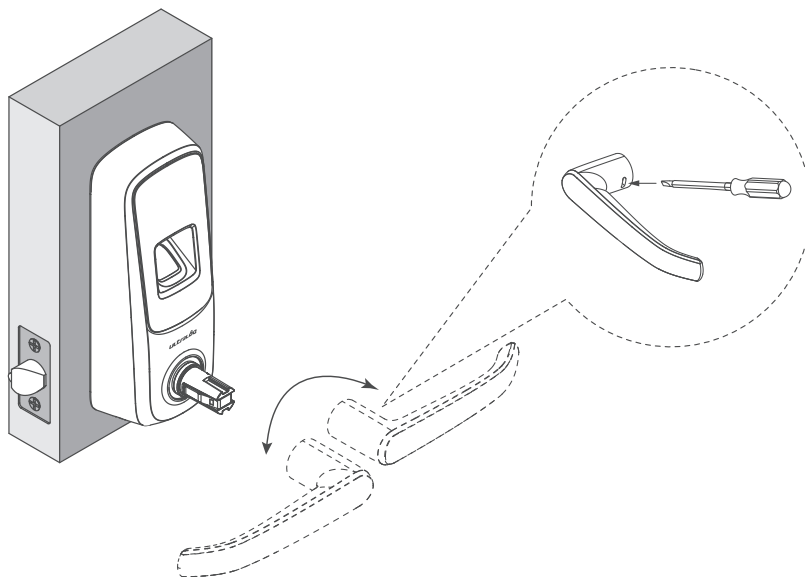
1. Insert 3 AA alkaline batteries.
2. Install battery cover and tighten the screw.



STEP 9

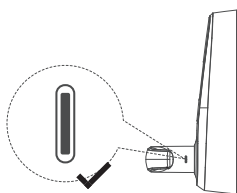
Installing Handles

1. Press lever handles onto handle posts.
2. Test the mechanical operation of the lock by rotating handle from inside. The movement of the bolt should be smooth and unobstructed. If the operation is not smooth, review the previous steps to ensure proper installation.

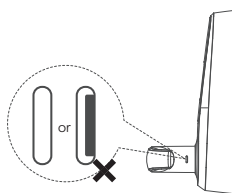


If the handles are installed in the wrong direction, you need to remove them and re-install. To remove the handle, you need to insert the screwdriver into the hole in the handle, push in and hold. Then pull the lever handle out.

Handle Plug Position



The handle is plugged in correctly.



The handle is not fully plugged in.

Note



ultralq

© 2016 U-tec Group Inc.

U-tec and Ultraloq brands and products are trademarked and protected under law in the United States.
Unauthorized use is prohibited. Ultraloq is sub-brand of U-tec Group Inc.