

# Installation and Operation Instructions

## ELECTRIC FIREPLACE

**X36WMEF1SSBR X42WMEF1SSBR**



### **READ & SAVE THESE INSTRUCTIONS**

Carefully read and review before assembling, installing, operating or maintaining this product. Observe all safety instructions and information.

**FAILURE TO FOLLOW WARNINGS & OPERATIONAL INSTRUCTIONS CONTAINED IN THIS MANUAL CAN RESULT IN PROPERTY DAMAGE OR PERSONAL INJURY.**


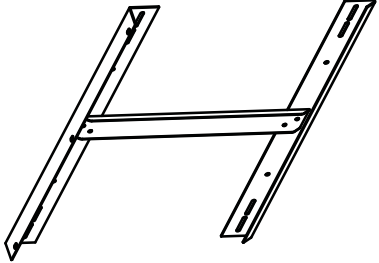
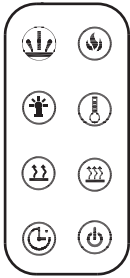

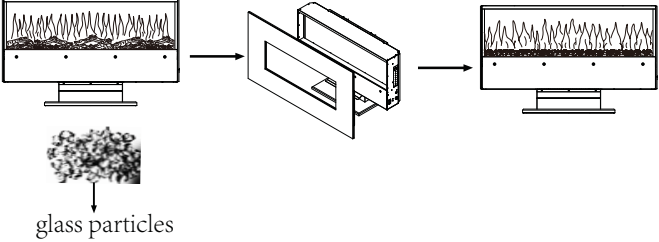


# TABLE OF CONTENTS

---

Tool list .....	2
Assembly Instructions .....	2-3
Important Safety Instructions .....	3-4
Listing Approvals .....	5
Glass Particles Installation Instructions .....	6
Product Dimensions .....	7-8
Installation .....	9-10
Operating Instructions .....	12
Remote Control Instructions .....	12
Temperature Limiting Control .....	13
Trouble Shooting .....	13
Cleaning .....	13

**Suggested tools: Phillip head screw driver, power drill, drill bit, and a tape measure. Unit needs to be hung on wall stud for more security and stability.**

<p>(1) Fireplace assembly 1 PC</p> 	<p>(2) Steel holder 1 PC</p> 
<p>(3) Remote Control 1 PC</p> 	<p>(4) Screw</p>  <p> <math>\varnothing</math> 4mm x 10mm 4 PCS  <math>\varnothing</math> 4mm x 8mm 28 PCS         </p>
<p><b>Care and Cleaning Instructions:</b>          Before using, wipe with a clean, dry cloth.          Avoid rubbing or scratching the surface with rough or abrasive objects.</p>	<p><b>Replace the faux fire log set with glass particles:</b></p>  <p>glass particles</p>
<p><b>Assembly Tool Required</b></p> <p><b>Phillips Screwdriver</b></p>	<p>Remove the glass pane, then replace the faux fire log set with glass particles.</p>

**Tool List: drill bit, drill, tape measure and pencil.**

**X36WMEFASSBR X42WMEFASSBR**  
**Remote Control Electric Wall-Mount Fireplace**  
**Assembly Instructions**

**Quick Reference Guide**

1. Prior to plugging your heater into a power outlet, first verify that the circuit breaker for the outlet is on.

2. The heater may emit a slight, harmless odour when first used. This odour is normal and it is caused by the initial heating of internal heater parts and will not occur again.
3. If the heater does not emit heat, Consult your User's Guide for further information.

## **CAUTION**

**RISK OF ELECTRIC SHOCK**

**DO NOT OPEN THE UNIT**

**NO USER-SERVICEABLE PARTS INSIDE**

**HIGH TEMPERATURE**

**KEEP ELECTRICAL CORDS, DRAPERY AND OTHER FURNISHINGS AT LEAST 1 METRE FROM FRONT OF THE HEATER AND KEEP THEM AWAY FROM THE SIDES OF HEATER**

## **WARNING**

**RISK OF FIRE - KEEP COMBUSTIBLE MATERIAL AWAY FROM TOP OF HEATER.**

**SERVICING SHOULD BE DONE ONLY WHILE THE HEATER IS UNPLUGGED FROM POWER SUPPLY.**

**The flame effect on the wall hanging fireplace is created by LED surface mounted components that are designed to last the life of the product. Do not remove back cover of heater, no user serviceable parts are contained within.**

## **IMPORTANT SAFETY INSTRUCTIONS**

When using electrical appliances, to reduce the risk of fire, electric shock and injury to persons, basic precautions should always be followed, including the following:

1. Read all instructions before use.
2. This heater is hot when in use. To avoid burns, do not let bare skin touch hot surfaces. If provided use handle when moving this heater.
3. Keep combustible materials such as furniture, pillows, bedding, papers, clothes, and curtains at least 4" / 7cm away from the front of heater and keep them away from the sides of heater.
4. Extreme caution is necessary when any heater is used by or near children or invalids and whenever the

heater is in operation it must not be left unattended.

5. Always unplug the heater when not in use.
6. Do not operate any heater with damaged cord or plug or after the heater has malfunctioned or has been dropped or damaged in any manner. Return heater to an authorised service facility for repair.
7. Do not use outdoors.
8. This heater is not intended for use in bathrooms, laundry areas and similar indoor locations. Never locate heaters where it may fall into a bath tub or other water container.
9. Do not run cord under carpeting. Do not cover cord with throw rugs, runners or the like. Arrange cord away from traffic areas and where it will not be tripped over.
10. To disconnect heater, turn control to off, then remove plug from outlet.
11. Connect to properly grounded outlet only.
12. Do not insert or allow foreign objects to enter any ventilation or exhaust opening as this may cause an electric shock or fire, or damage the heater.
13. To prevent a possible fire, do not block air intake or exhaust in any manner
14. Do not use on soft surfaces, like a bed, where openings may become blocked.
15. A heater has hot and arcing or sparkings parts inside. Do not use it in areas where gasoline, paint or flammable liquids are used or stored.
16. Use this heater only as described in manual. Any other use not recommended by the manufacturer may cause fire, electric shock, or injury to persons.
17. Avoid the use of an extension cord because the extension cord may overheat and there is a risk of fire.
18. Do not strike the heater glass.
19. Always use properly grounded, it may break fused and polarized outlets.
20. Always disconnect power before performing any cleaning or maintenance, or relocation of the heater.
21. When transporting or storing the heater keep in a dry place, free from excessive vibration and store so as to avoid damage.
22. The flame effect is powered by a motor and it is normal for the motor to make some noise as it slowly rotates and helps to create the beautiful 3D flame effect. Some rooms have more or less furnishings than others resulting in varying noise amplification.
23. Whilst every effort is made to ensure packing materials are kept outside of the plastic bag which covers your heater in the box, there is a remote chance that some packing may lodge itself in the heater part of the unit. If you notice this on close inspection, please remove it. When turning your heater on for the first time it is normal for the heater to emit a little 'new heater' smell which quickly passes.
24. You may notice some light coming from under or from the sides of the unit. This is normal and the holes allow the unit to 'breathe'. Do not attempt to block these holes.
25. This heater is to be used on a 110 / 120 V, 11.2AMP, grounded circuit. Do not use in an outlet controlled by a switch or dimmer switch. The cord supplied with the heater, has a 2 blade plug, the round pin on the plug is for grounding purposes. If a 2 slot receptacle is not available, an adapter must be used, and the adapter must be properly grounded to the outlet box. Avoid plugging other appliances into the same circuit as heater.

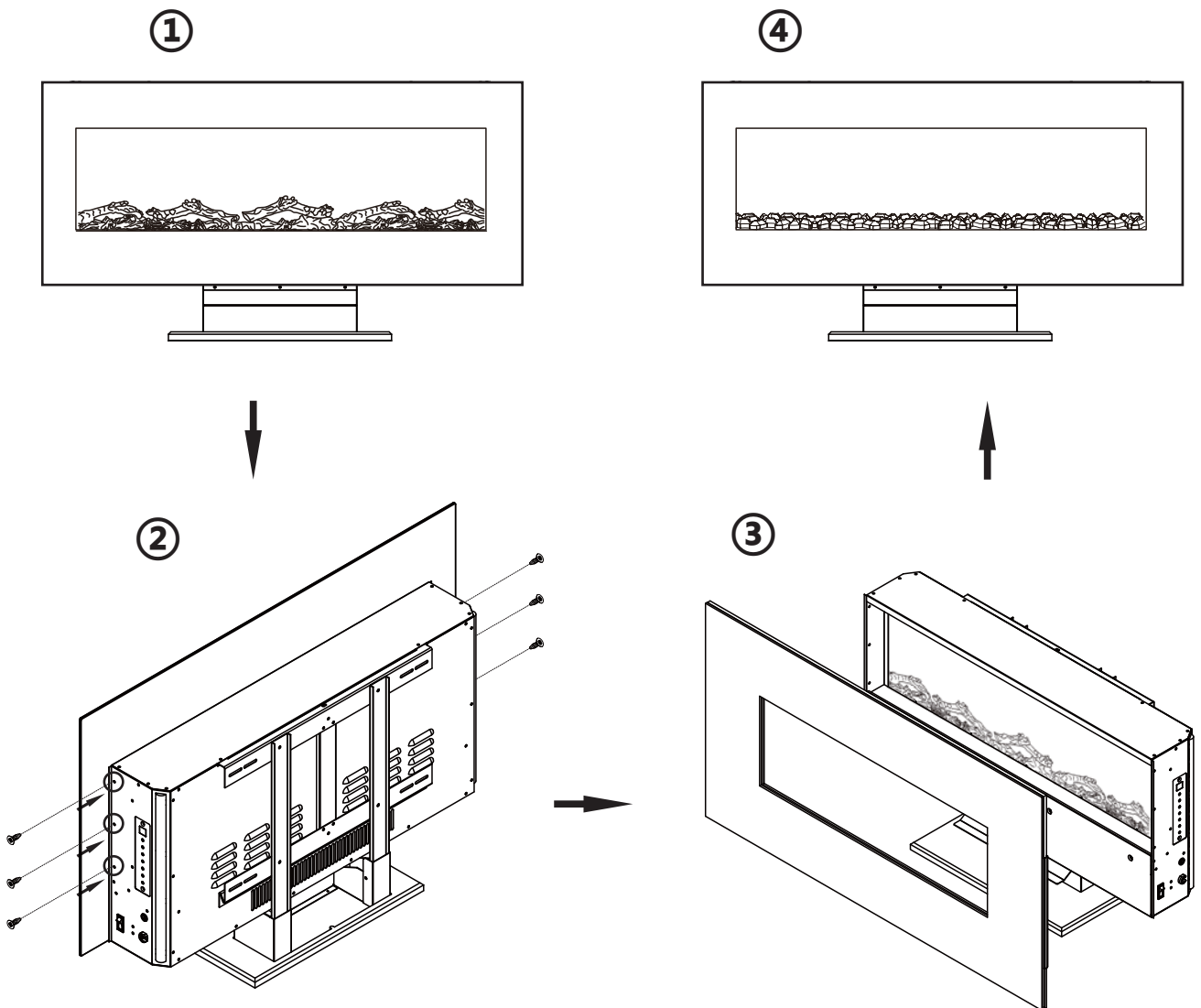
# LISTING APPROVALS

This heater has been tested in accordance with the CSA Standards.

Model Number:	X36WMEFASSBR X42WMEFASSBR	
Description:	Wall Mount Electric Fireplace	
Voltage:	120V AC, 60Hz	
Watts:	MAX 1300W	
Length:	36.0"	42.0"
Height:	23.9"	23.9"
Depth:	9.1"	9.1"

# GLASS PARTICLES INSTALLATION INSTRUCTIONS

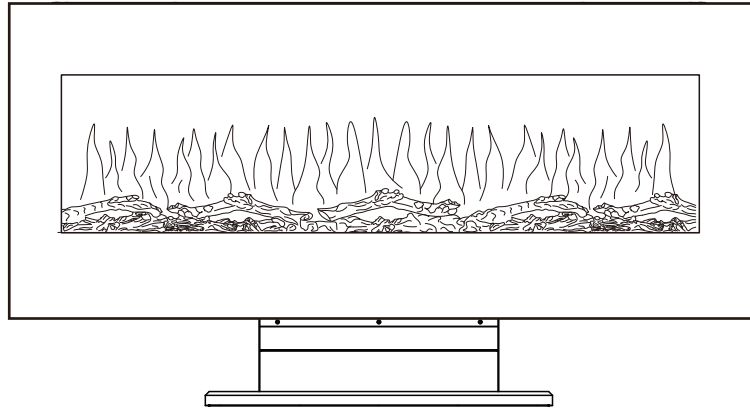
- 1.To remove the front panel around the bracket, undo the mounting screws (red arrows) (①、②)
- 2.Remove the front panel (③)
- 3.Carefully take out the log set (③)
- 4.Gently put the glass crystals into place (③)
- 5.Be cautious about the outer glass bracket screws (④)



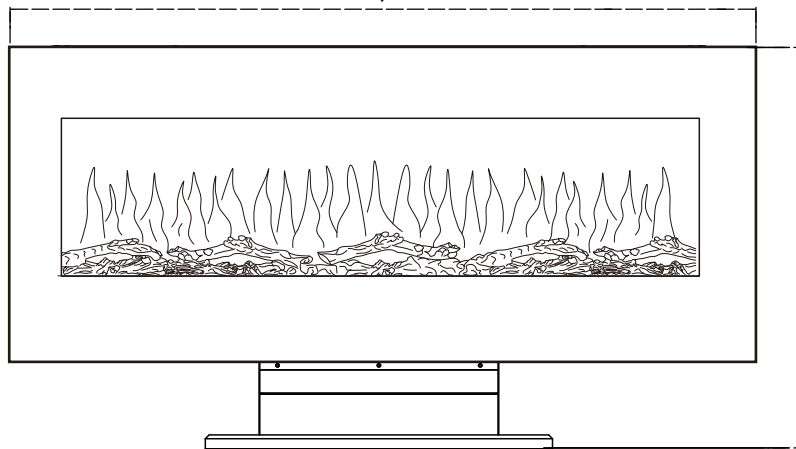
## CHANGE THE FRONT PANEL

This item has two interchangeable front panels .  
Follow steps 1-3 to change the panel

# PRODUCT DIMENSIONS

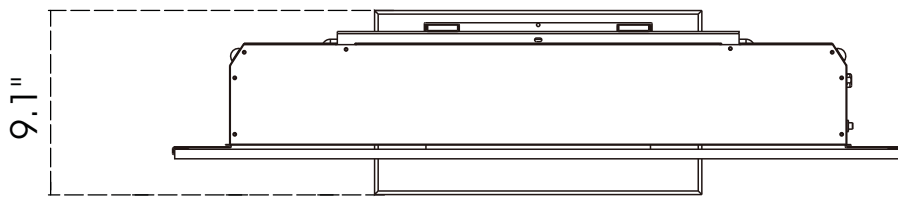


26" / 42"



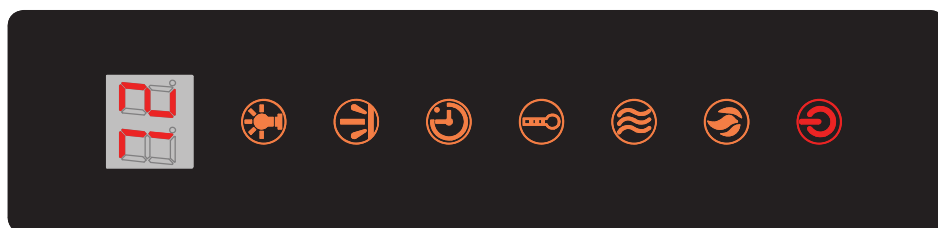
23.9"

## FRONT VIEW

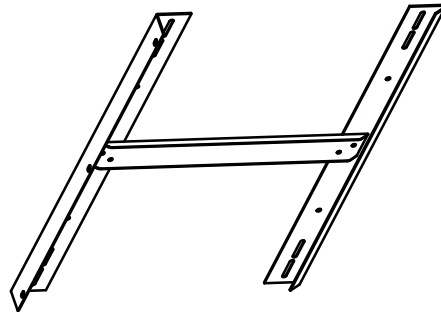


9.1"

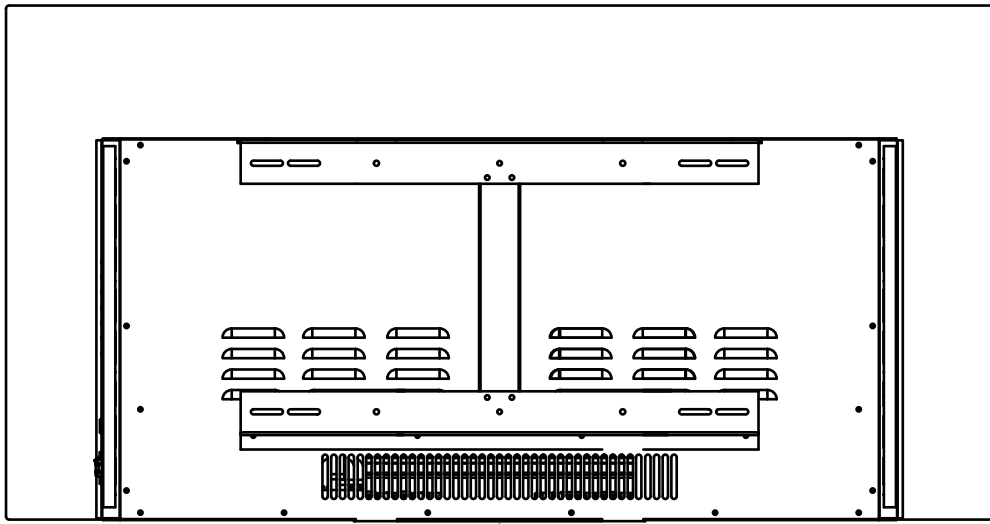
## BOTTOM VIEW







Mounting Bar



BACK VIEW

## PRODUCT DIMENSIONS

**WARNING:** Due to high temperatures, this electric fireplace should be located out of traffic. Keep combustible materials such as furniture, pillows, bedding, papers, clothes and curtains at least 36" from the top of the heater.

**WARNING:** Never locate this electric fireplace where it may fall into a bathtub or other water container.

**CAUTION:** Do not expose the electric fireplace to the elements (such as rain, etc)

**WARNING:** To prevent contact with sagging or loose insulation, the electric fireplace must not be installed against a vapor barrier or exposed insulation. Localized overheating could occur and a fire could result.

## **UNPACKING AND TESTING FIREPLACE**

Carefully remove the unit from the box. Prior to installing the unit, test to make sure the unit operates properly. To do this, plug the unit's power supply cord into a conveniently located 120 Volt grounded outlet.

## **INSTALLATION**

**WARNING: RISK OF FIRE!** The power cord must not be pinched or against a sharp edge. Secure cord to avoid tripping or snagging to reduce risk of fire, electric shock or personal injury. Do not run cord under carpeting. Do not cover cord with throw rugs, runners or the like. Arrange cord away from traffic area and where it will not be tripped over.

**WARNING: RISK OF FIRE!** To prevent a possible fire, do not block air intake or exhaust in any manner. Do not use on soft surfaces where openings may become blocked.

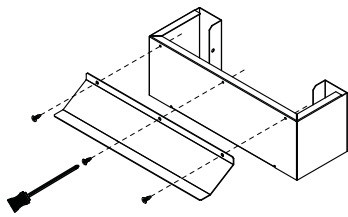
**WARNING: RISK OF FIRE!** Do not place insulation against the fireplace.

**WARNING:** This electric fireplace is tested and listed for use only with the approved optional accessories. Use of optional accessories not specifically tested for this electric fireplace could void the heater warranty and / or result in a safety hazard.

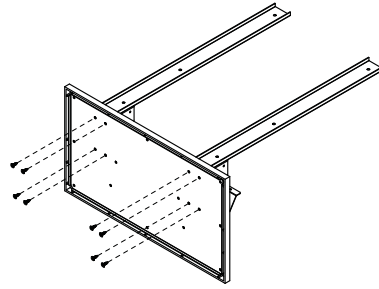
**WARNING:** If the information in these instructions is not followed exactly, a fire or explosion may result causing property damage, personal injury or death. Do not store or use gasoline or other flammable vapors in the vicinity of this or any other heater.

## Installation Diagram of Free-standing style

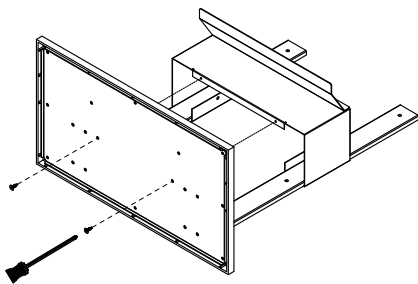
Fix the air guide with 3 screws as shown



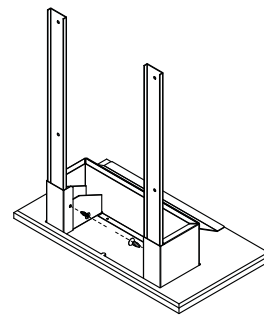
Secure the bracket to the base with 8 screws as shown



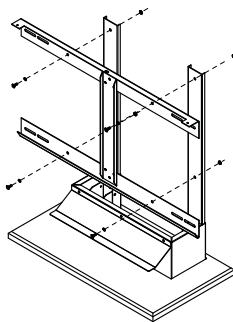
Fix the air guide and the bracket with 2 screws



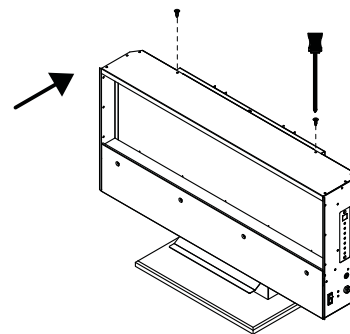
Fix the bracket with 2 screws as shown



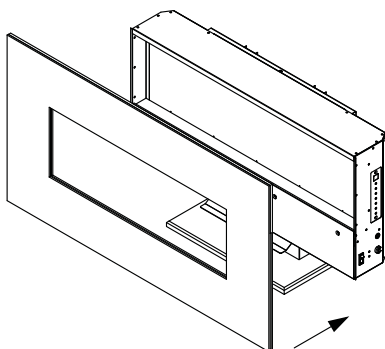
Fix the bracket on the assembled base with the 4 screws as follows



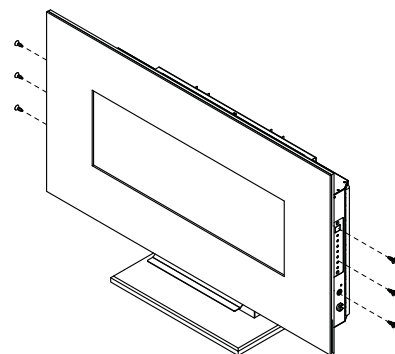
Fix the machine and the base with the screws as follow



Insert the front panel to the machine as the arrow point

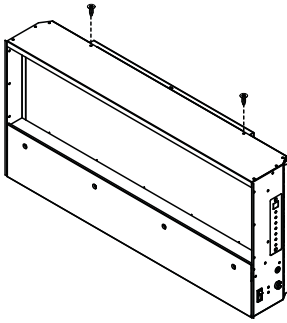


Fix the front panel and machine together using 6pcs screws on the right and left side

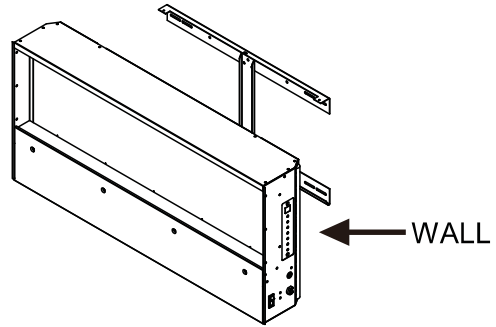


## Installation Diagram of Wall Mounted style

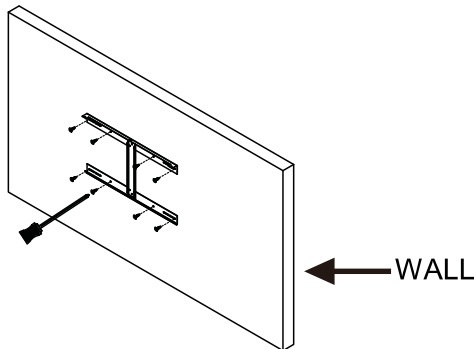
Remove the 2 screws that secure the bracket



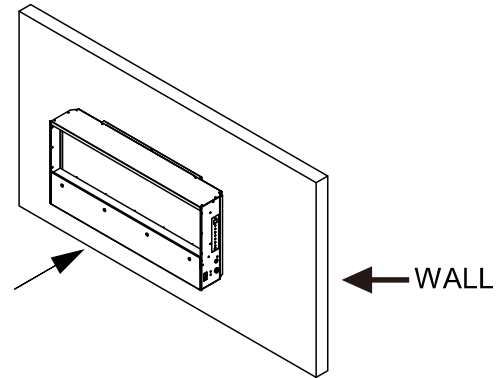
Remove the bracket from the machine



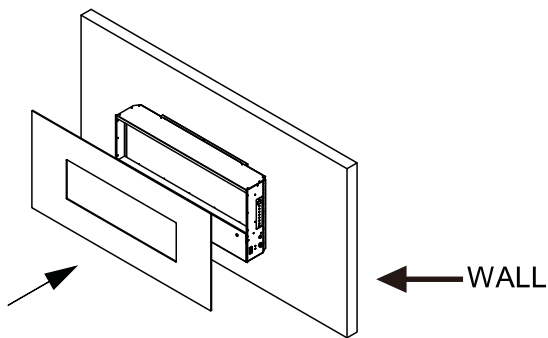
Install the bracket on the wall with 8 screws



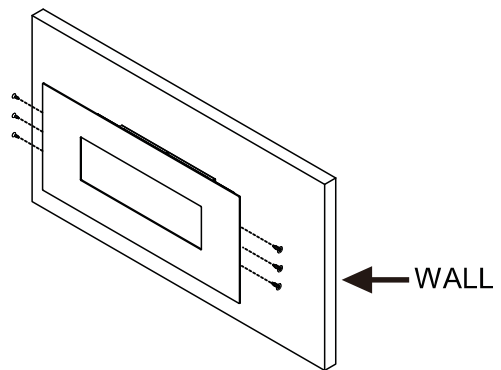
Hung on the machine to the bracket



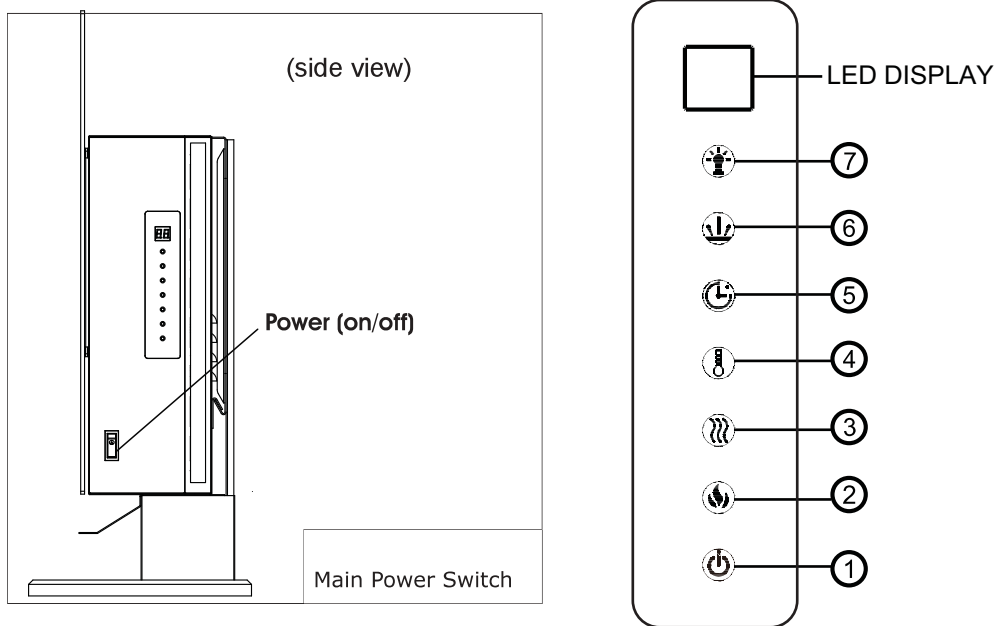
Insert the front panel to the machine



Fix the front panel and machine together using 6pcs screws on the right and left side



# OPERATING INSTRUCTIONS



## MASTER SWITCH

The master switch controls the power supply to the appliance. Turn the switch to “ON” to connect power and turn the switch to “OFF” to cut the power. There will be a chiming sound when turning to “OFF”.

## 1 POWER: ON/OFF

Touch the button once (flame will light up) to turn power on for all functions, keep the last flame color once appliance off. Touch the button once more to turn all functions off and flame off.

## 2 FLAME ADJUSTMENT:

Touch the button to turn flame on. There are 7 colors in total . Press this button to change color.

The display will show Orange(A1), Green(A2), Blue(A3), Red(A4), Orange/Blue(A5), Orange / Green / Blue (A6) , Circle( A7)

## 3 HEATER CONTROL:

This fireplace consists of a fan forced electric heater with two heat settings: 600W (“LO” shown in display) and 1300 W (“HI” shown in display). Touch the button once (the icon will light up) to activate the heater at its low level (700W). Touch the button once more to active the heater at its high level (1300W). When set in high level, touch the button once again to deactivate the heater.

Note: The fan will continue to run for a short time and turns off automatically after the heater is turned off.

## 4 TEMPERATURE SETTING BUTTON:

Select the temperature display mode of Celcius (C) or Farenheit (F), simply press and hold button for 10 seconds to change.

## 5 TIMER BUTTON:

Set the timer using the button ( 1 to 9 hours), press button once for 1 hour increments.

## 6 CHARCOALFIRE BUTTON:

Touch the button to turn charcoal fire on. There are 7 colors in total. Press this button to change color.

The display will show Orange (E1), Green (E2), Blue (E3), Red (E4), Red / Blue (Gradua) E5, Red / Green / Blue (Gradua) E6, Circle E7

## 7 BACKLIGHT BUTTON:

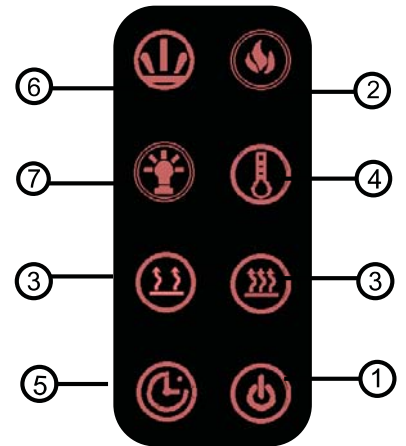
Touch the button to turn flame on. There are 4 colors in total . Press this button to change color.

The display will show Orange (C1), Green(C2), Blue(C3), Circle(C4).

LED DISPLAY, Can display temperature, time, background color, flame color, heating switch, high and low heat

## REMOTE CONTROL FEATURES


1. Install the CR2025 3V battery in the remote control.
2. Turn the master switch on the e-fireplace to 'I' so that it can receive the signal from the remote control.
3. CAUTION: Never leave the e-fireplace unattended while heating.
4. Refer to Page 12 control buttons/functions for the buttons on the remote control.



## TEMPERATURE LIMITING CONTROL

This heater is equipped with a Temperature Limiting Control. Should the heater reach an unsafe temperature, (115 degrees Celsius) the heater will automatically turn off. To reset: Unplug unit from wall, wait for 5 minutes, plug back in and continue to use.

### TROUBLE SHOOTING

 **WARNING:** Turn off the fireplace completely and let cool before servicing.

SYMPTOM	POSSIBLE CAUSES	CORRECTIVE ACTION
Fireplace doesn't work.	Fireplace inner components are overheating or the home circuit breaker has tripped.	Reset switch by turning master switch off and waiting for 5mins, then turning it back on.
Flame is not moving.	Wiring may be loose or the flame motor may be defective.	Call customer service for instructions.
Dim or poorly visible flame or glass pebbles aren't glowing.	LED lights are burnt out or the wiring is loose.	Call customer service for instructions.
Flame sputters	Flame motor is defective.	Call customer service for instructions.
Remote control does not work.	Low battery. Master switch is in "OFF" position.	Change the battery for remote control. Check to make sure the master switch is turned on.
Circuit breaker trips or fuse blows when the unit is on.	Improper circuit current rating.	Call customer service for instructions.
Heater does not provide heat when turned on.	Thermal switch has been tripped. Circuit breaker has been tripped.	Turn the unit off and unplug the unit for 5mins. Plug back in and turn on the unit. Turn off circuit breaker that supplies electricity to the unit, wait 5mins, then flip circuit breaker back on.
Appliance turns off and will not turn on.	Appliance has overheated and its safety device has caused the thermal switch to disconnect. House circuit breaker has tripped.	Unplug the appliance, allow to cool for 15mins, then plug back in. Reset the house circuit breaker.

### CLEANING

Turn heater OFF and unplug from outlet. Use a vacuum or duster to keep heat and vent area clean from dust and dirt. The exterior should be cleaned with a damp cloth or duster. Do not use abrasive cleaners, liquid sprays, or any other cleaner that may scratch the surface.