

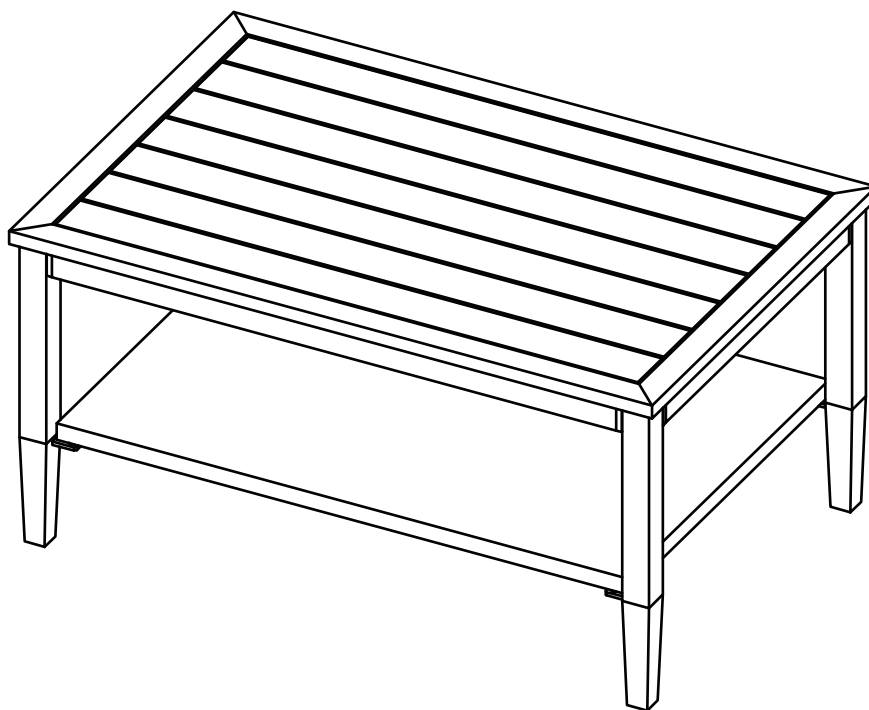
Item #



Model #
HD19304

USE AND CARE GUIDE

BAINBRIDGE COFFEE TABLE



Questions, problems, missing parts?
Before returning to the store, call Hampton Bay Customer Service
8:00 a.m. - 7:00 p.m., EST, Monday - Friday
9:00 a.m. - 6:00 p.m., EST, Saturday

1-855-HD-HAMPTON

HAMPTONBAY.COM

THANK YOU

We appreciate the trust and confidence you have placed in Hampton Bay through the purchase of this table. We strive to continually create quality products designed to enhance your home. Visit us online to see our full line of products available for your home improvement needs. Thank you for choosing Hampton Bay!

Table of Contents

Table of Contents.....	2	Care Instructions.....	2
Safety Information.....	2	Pre-Assembly.....	3
Warranty.....	2	Planning Assembly.....	3
2 Year Frame Limited Warranty.....	2	Hardware Included.....	3
What Is Covered.....	2	Package Contents.....	4
What Is Not Covered.....	2	Assembly.....	5-7

Important Safety Instructions

SAVE THESE INSTRUCTIONS



WARNING: FUELS USED IN LIQUEFIED PROPANE GAS APPLIANCES, AND THE PRODUCTS OF COMBUSTION OF SUCH FUELS, CAN EXPOSE YOU TO CHEMICALS INCLUDING BENZENE, WHICH IS KNOWN TO THE STATE OF CALIFORNIA TO CAUSE CANCER AND CAUSE BIRTH DEFECTS OR OTHER REPRODUCTIVE HARM. For more information go to: www.P65Warnings.ca.gov.



WARNING: FUELS USED IN WOOD OR CHARCOAL BURNING APPLIANCES, AND THE PRODUCTS OF COMBUSTION OF SUCH FUELS, CAN EXPOSE YOU TO CHEMICALS INCLUDING CARBON BLACK, WHICH IS KNOWN TO THE STATE OF CALIFORNIA TO CAUSE CANCER, AND CARBON MONOXIDE, WHICH IS KNOWN TO THE STATE OF CALIFORNIA TO CAUSE BIRTH DEFECTS OR OTHER REPRODUCTIVE HARM. For more information go to: www.P65Warnings.ca.gov.

READ ALL INSTRUCTIONS BEFORE USE

To reduce the risk of injury to persons:

1. Close supervision is necessary when this furnishing is used by or near children, or disabled persons, if applicable.
2. Use this furnishing only for its intended use as described in these instructions. Do not use attachments not recommended by the manufacturer.
3. This table is not intended to support an umbrella. Umbrellas must have a suitable base or stand.



DANGER: Keep children out of the assembly area before assembly.



WARNING: Do not put heavy objects, sit or stand on the table.



CAUTION: Use the table on flat ground only.



IMPORTANT: Check the tightness of all bolts at least once every 90 days.



NOTE: Level the table with glides at the bottom of each leg.

Warranty

2 YEAR FRAME LIMITED WARRANTY

WHAT IS COVERED

We warrant the frame to be free of manufacturing defects to the original purchaser for two years.

WHAT IS NOT COVERED

It remains the customer's responsibility for freight and packaging charges to and from our service center. This warranty does not cover commercial use, hardware, acts of nature, fire, freezing and abusive use. In addition purchased parts are not covered under this warranty. We reserve the right to make substitutions with similar merchandise, if the model in question is no longer in production.

Care Instructions

Before using, wipe with a clean, dry cloth. Do not use bleach or solvents. Treat the frame with liquid wax for maximum protection against UV light and salty, damp air. When not in use, store furniture in a cool, dry place. If the set includes cushions or mesh fabric, they may be cleaned by hand with a mild solution of soap and water. Rinse cushions thoroughly and allow to drip dry. Do not machine wash or tumble dry, as cushions may shrink. Do not use bleach or solvents on fabrics. When cleaning the tabletop make sure to use a soft, clean cloth that does not bleed color. You may contact our customer service department with any questions by phone at 1-855-HD-HAMPTON or visit www.hamptonbay.com.

Pre-Assembly

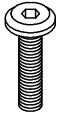
PLANNING ASSEMBLY

Assemble this product on a blanket or towel or other soft, non-abrasive surface to avoid scratching the finish.

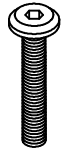
HARDWARE INCLUDED



NOTE: Hardware not shown to actual size.



___ AA



___ BB



___ CC

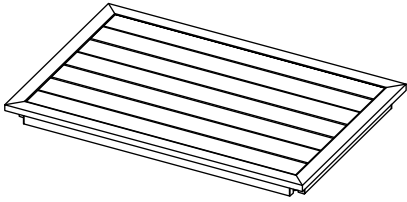


___ DD

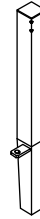
Part	Description	Quantity
AA	Bolt (M6 x 20mm)	4
BB	Bolt (M6 x 40mm)	8
CC	Metal Washer (ϕ16 x 1.0mm)	12
DD	Allen Wrench (M6)	1

Pre-Assembly (continued)

PACKAGE CONTENTS



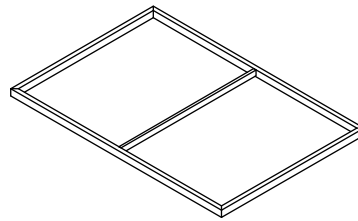
_____ **A**



_____ **B**



_____ **C**



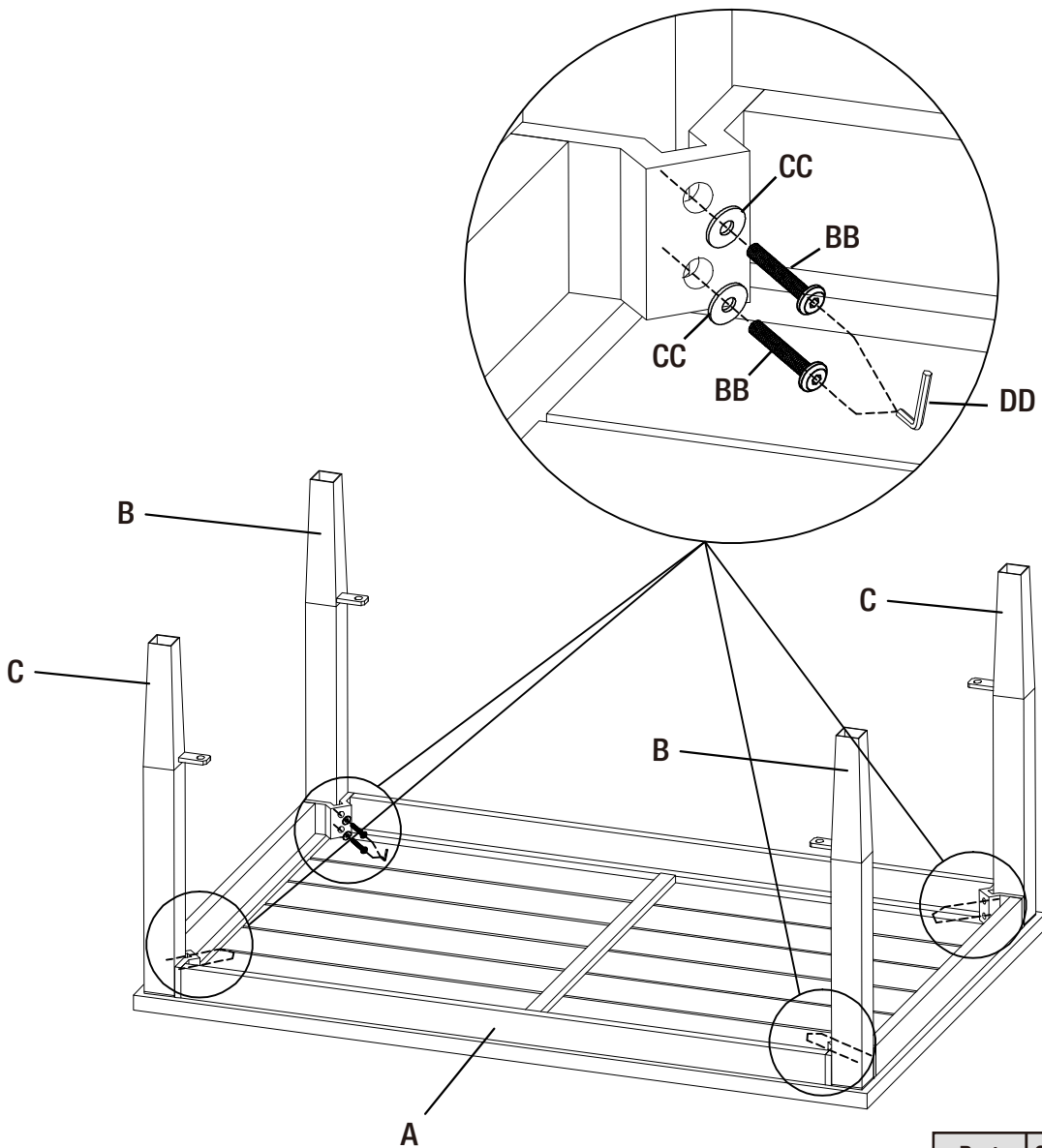
_____ **D**

Part	Description	Quantity
A	Table Top	1
B	Leg A	2
C	Leg B	2
D	Shelf	1




Assembly

1 Assembling the table legs to the table top

- Place the table top (A) upside down so the pre-drilled holes are visible.
- Attach the table legs (B) and (C) to the table top (A) by inserting bolts (BB) with metal washers (CC) through the pre-drilled holes on the inner side of the four corners on the table top apron. Do not tighten the bolts completely until assembly is completed.



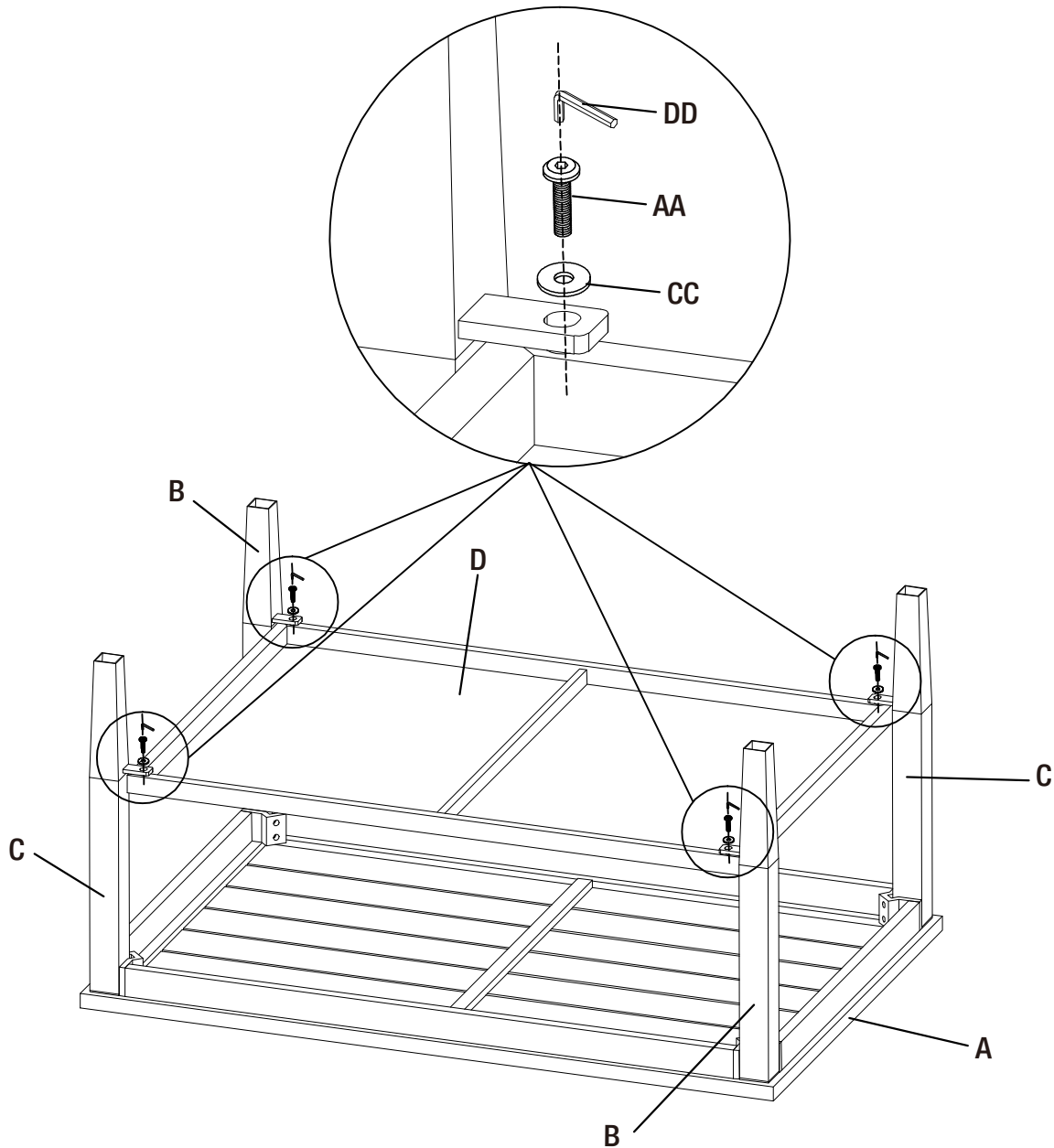
! IMPORTANT: Do not tighten completely until assembly is completed.

Part	QTY	Hardware Description
BB	8	Bolt (M6 x 40 mm) 
CC	8	Metal Washer 
DD	1	Allen Wrench (M6) 


Assembly (continued)

2 Assembling the shelf to the table legs

- Attach the shelf (D) to the table legs (A) and (B) by inserting bolts (AA) with metal washers (CC) through the pre-drilled holes on the down side of the knobs on the table legs. Do not tighten the bolts completely until assembly is completed.

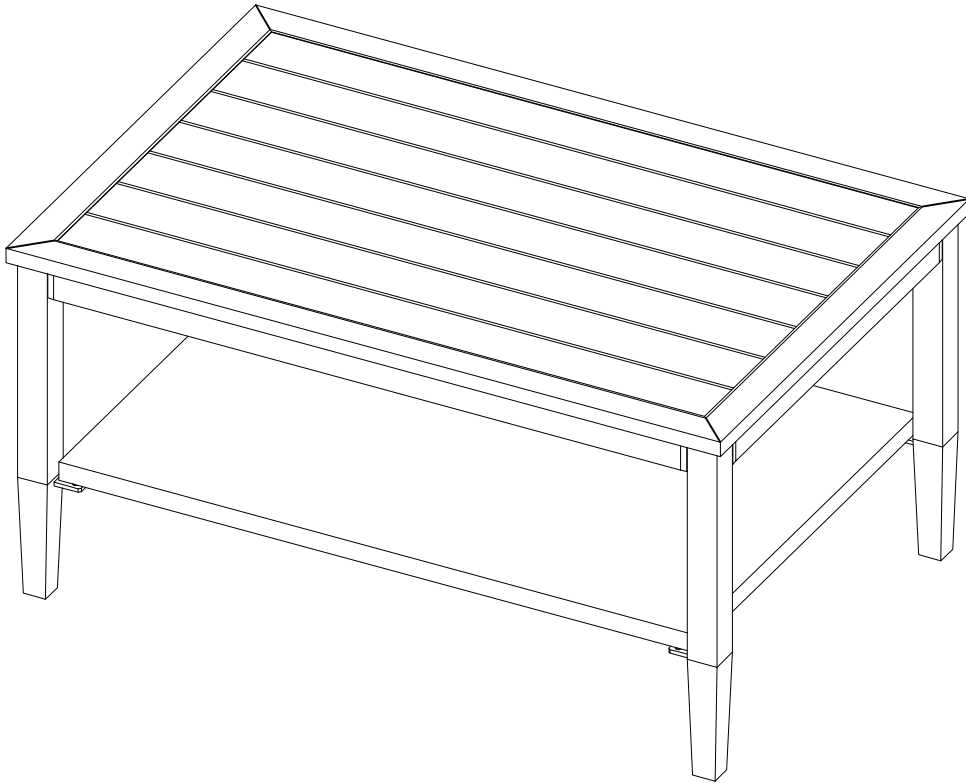


IMPORTANT: Do not tighten completely until assembly is completed.

Part	QTY	Hardware Description
AA	4	Bolt (M6 x 20 mm)
CC	8	Metal Washer 
DD	1	Allen Wrench (M6)

3 Completing the assembly

- Using the provided allen wrench (DD) tighten all the bolts completed. Carefully turn the table over into the upright position. Your table is now ready for use, so relax & enjoy!





Questions, problems, missing parts?
Before returning to the store, call Hampton Bay Customer Service
8:00 a.m. - 7:00 p.m., EST, Monday-Friday
9:00 a.m. - 6:00 p.m., EST, Saturday

1-855-HD-HAMPTON

HAMPTONBAY.COM

Retain this manual for future use.