

OPERATOR'S MANUAL

MANUEL D'UTILISATION
MANUAL DEL OPERADOR

LASER PARKING ASSIST ACCESSORY FOR RYOBI GARAGE DOOR OPENERS

ACCESSOIRE LASER D'ASSISTANCE AU STATIONNEMENT POUR OUVRE-PORTE DE GARAGE RYOBI

ACCESORIO LÁSER DE AYUDA PARA ESTACIONAMIENTO PARA EL SISTEMA DE APERTURA PARA PORTÓN DE GARAJE RYOBI

GDM222

IMPORTANT SAFETY INSTRUCTIONS

DANGER:
Laser radiation — avoid direct eye exposure.

WARNING:
To reduce the risk of injury, do not attempt to use this product until you have read thoroughly and understand completely this operator's manual and the operator's manual for the RYOBI garage door opener. Ensure compatibility and fit before using this accessory. Do not use this accessory if a part is damaged or missing.

WARNING:
Use of controls or adjustments or performance of procedures other than those specified herein may result in hazardous radiation exposure.

WARNING:
Avoid direct eye exposure to the laser beam when installing or using this accessory and do not project the laser beam directly into the eyes of others. Do not place this accessory in a port or position on the garage door opener that could cause the laser beam to shine into the driver or passenger seating area of a vehicle or that might cause intentional or unintentional eye contact with the laser beam. Blindness or serious eye injuries could result from eye contact with the laser beam.

- The laser guide radiation used in the laser parking assist accessory is Class IIIa with <math><5mW</math> and 635-660nm wavelengths.
- Do not remove or deface any product labels. Removing product labels increases the risk of exposure to laser radiation.
- Save these instructions. Refer to them frequently and use them to instruct others who may use this product.

PACKING LIST

Laser Parking Assist Accessory, Icon Label, French and Spanish Laser Aperture Labels, and Operator's Manual

SYMBOLS

The following signal words and meanings are intended to explain the levels of risk associated with this product.

SYMBOL	SIGNAL	MEANING
	DANGER:	Indicates a hazardous situation, which, if not avoided, will result in death or serious injury.
	WARNING:	Indicates a hazardous situation, which, if not avoided, could result in death or serious injury.
	CAUTION:	Indicates a hazardous situation, that, if not avoided, may result in minor or moderate injury.
	NOTICE:	(Without Safety Alert Symbol) Indicates information considered important, but not related to a potential injury (e.g. messages relating to property damage).

Some of the following symbols may be used on this product. Please study them and learn their meaning. Proper interpretation of these symbols will allow you to operate the product better and safer.

SYMBOL	NAME	DESIGNATION/EXPLANATION
	Safety Alert	Indicates a potential personal injury hazard.
	Read Operator's Manual	To reduce the risk of injury, user must read and understand operator's manual before using this product.
	Laser Exposure	Laser radiation - avoid direct eye exposure.
	Laser Eye Exposure	Avoid direct eye exposure when aiming/using the laser and do not project the laser beam directly into the eyes of others.
	Electrocution/ Electric Shock	Do not touch electrical connections, do not install with wet hands, and keep accessory away from water to reduce the risk of electrocution or electric shock.

ASSEMBLY

INSTALLING/REMOVING LASER PARKING ASSIST ACCESSORY

See Figure 1.

NOTE: The laser aperture labels on the unit are in English only. For customers whose primary language is French or Spanish, please remove the English labels from the unit and replace with the desired translated labels in the same position.

- Assemble and mount the garage door opener as described in the garage door opener manual and make sure it is connected to an AC power supply.
- Insert the laser parking assist accessory into one of the seven accessory ports on the garage door opener. For best results, we recommend the side that will best allow the laser beams to be projected onto the vehicle's dash or hood.

NOTE: Accessories will not receive power until the accessory port has been activated. See **Activating/Deactivating Accessory Port** for instructions on activating the accessory.

WARNING:
Use extreme care if you need to stand on a ladder to install or adjust this accessory. Ensure someone is holding the ladder on the ground to keep it stable. Failure to safely use a ladder can cause a fall and result in death or serious personal injury.

- Attach the accessory to the top of the garage door opener by inserting the hooks on the accessory into the slots on the accessory port. Ensure the bottom latch on the accessory is secured to the port on the garage door opener.

WARNING:
Ensure accessories are properly and securely connected to their port on the garage door opener. Failure to properly secure the accessory can cause it to fall and could result in serious personal injury or property damage.

- Depress latches to release and remove the accessory.

OPERATION

ACTIVATING/DEACTIVATING ACCESSORY PORT

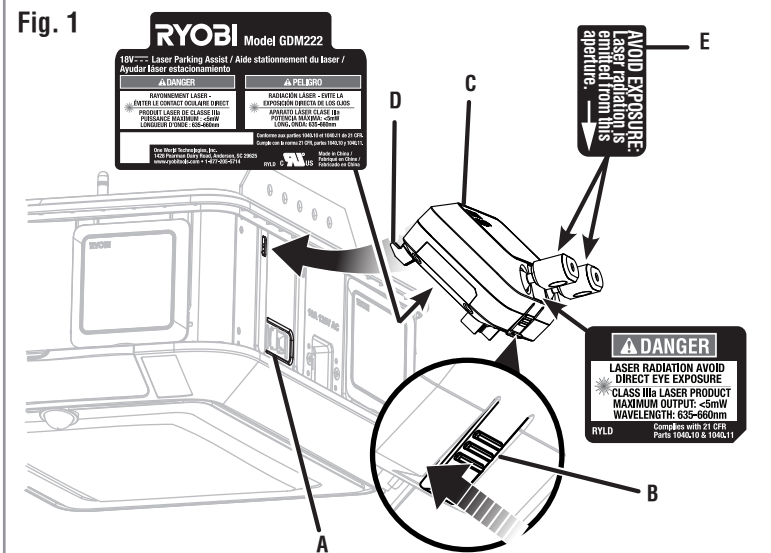
See Figures 1 - 2.

- To activate a accessory port, press the number on the indoor keypad (not included) corresponding with the desired port. For example, to activate accessory port #2 press **NUMBER 2** on your keypad.
- NOTE:** Multiple ports can be activated at once.
- To deactivate a accessory port, press the number on the indoor keypad (not included) corresponding with the port.

USING THE LASER PARKING ASSIST

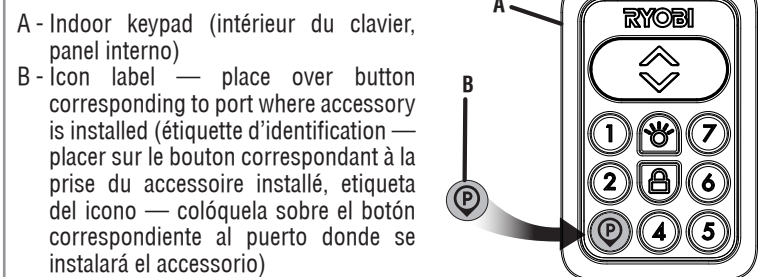
See Figures 2 - 3.

- Install the laser parking assist accessory and activate the appropriate accessory port by pressing the corresponding number on the indoor keypad.
- NOTE:** For quick identification, the supplied icon label can be placed over the keypad number.
- Initial set-up:**
- Drive your vehicle into the garage and park where you intend to park each time you enter the garage. Verify there is adequate room for opening and closing all doors (including the garage door itself).



- A - Accessory port (prise du accessoire, puerto del accessorio)
- B - Latch (loquet, pestillo)
- C - Laser parking assist accessory (accessoire laser d'assistance au stationnement, accessorio láser de ayuda para estacionamiento)
- D - Hooks (crochets, ganchos)
- E - English only laser aperture label (étiquette de l'ouverture du laser en anglais, etiqueta de apertura de láser solo en inglés)

Fig. 2



- Activate the laser parking assist from the indoor keypad.
- NOTE:** Once activated, the parking assist laser beams will remain active for 3 minutes.
- Aim the laser toward a location on your vehicle's dash or hood that will be readily visible while sitting in the driver's seat of the car. Use caution to aim the beam in a direction that will not project the beam into the eyes of the driver or any passengers.
- NOTE:** To accommodate two vehicles in a double garage, there are two laser beams on the accessory. If you only have a single garage, set both laser beams to the desired position on your vehicle, as both beams will light each time the accessory is activated.

WARNING:
Do not aim the laser beam in a direction that will project the beam into the eyes of the driver or any passengers. Blindness or serious eye injuries could result from eye contact with the laser beam.

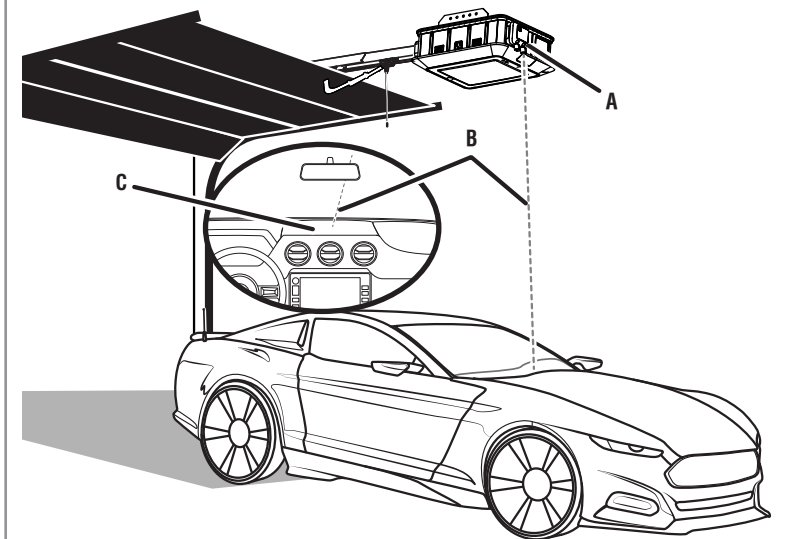
- Sit in the vehicle driver's seat and verify you can easily see the laser beam; adjust if needed. Once the desired position is achieved, this will be the reference point to use each time you are parking your vehicle.

To use:

- Open the garage door. This will activate the laser parking assist.
- NOTE:** If the garage door is already open, the laser can only be activated via the indoor keypad.
- Drive your vehicle into the garage. The laser beam should be projected onto the floor of the garage and will start to come across the hood of your vehicle as you drive forward.
- Stop the vehicle when the laser beam reaches the reference point location that you selected during the initial set-up.

NOTE: The Ryobi Garage Door Opener Accessory System smartphone app provides additional functionality for the laser parking assist. For details, refer to the operator's manual provided with the app.

Fig. 3



- A - Laser parking assist accessory (accessoire laser d'assistance au stationnement, accessorio láser de ayuda para estacionamiento)
- B - Parking assist laser beam (faisceau laser de l'assistant au stationnement, haz de láser de ayuda para estacionamiento)
- C - Chosen reference point (point de référence choisi, punto de referencia seleccionado)

This product has a Three-year Limited Warranty.
For Warranty details go to www.ryobitools.com

ONE WORLD TECHNOLOGIES, INC.

1428 Pearman Dairy Road, Anderson, SC 29625 • Phone 1-877-205-5714
États-Unis, Téléphone 1-877-205-5714 • USA, Teléfono 1-877-205-5714

www.ryobitools.com

