

Steele 24 & 36

BA1008_, BA1009_ 1.0



GENERAL PRODUCT INFORMATION:

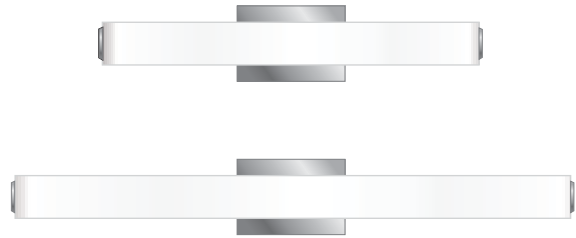
These fixtures are intended to be installed utilizing NEC compliant junction boxes.



This product is suitable for damp locations.

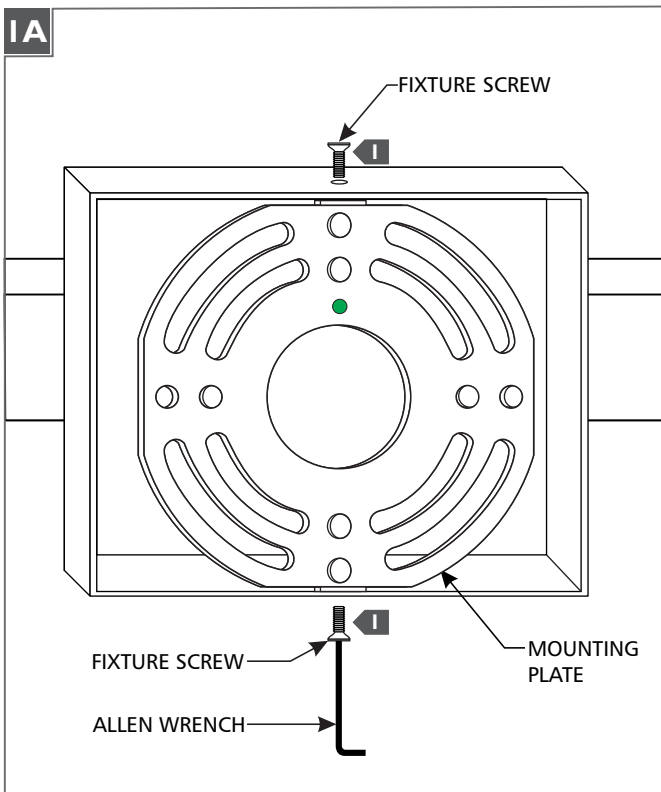
This product may be dimmed with a low-voltage electronic dimmer.

This product may be mounted horizontally or vertically.

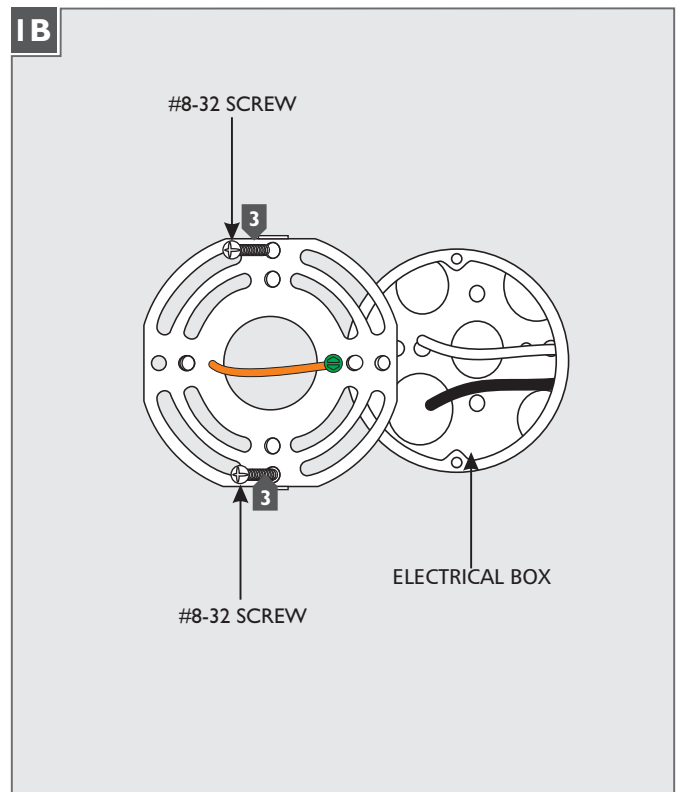


CAUTION - RISK OF FIRE
 This product must be installed in accordance with the applicable installation code by a person familiar with the construction and operation of the product and the hazards involved.
 Use minimum 90°c supply conductors.

Install the Mounting Plate

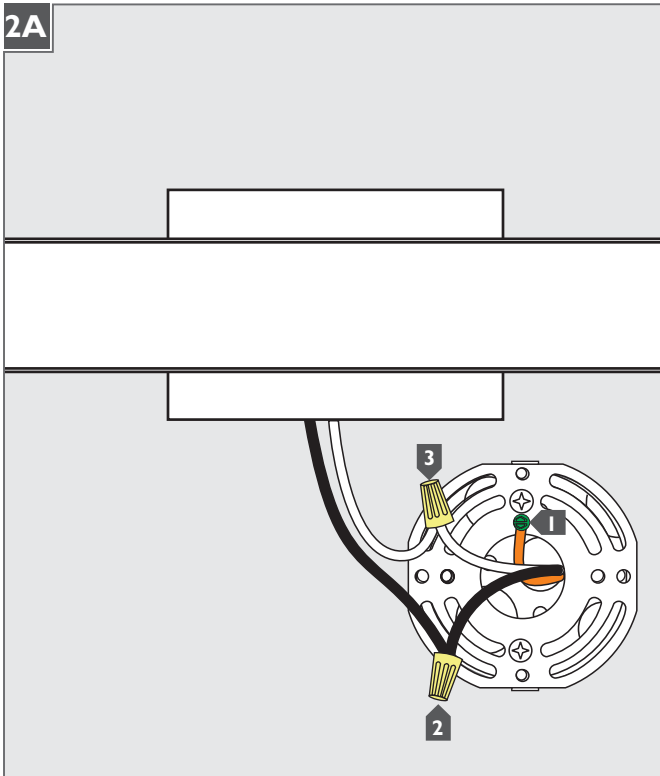


- 1** Remove the fixture screws located on the top and bottom of the fixture base with the provided Allen wrench.
- 2** Remove the mounting plate from the fixture base.



- 3** Install the mounting plate onto the electrical box with the two #8-32 screws provided.

Install the Fixture



- 1 Connect the mounting plate ground wire to a suitable ground according to local electrical codes.
- 2 Connect the black driver wire to the hot power line wire with a wire nut.
- 3 Connect the white driver wire to the neutral power line wire with a wire nut.
- 4 Properly place all wires and wire nut connections into the fixture base.
- 5 Mount the fixture by sliding it back onto the mounting plate and reinstalling fixture screws (reversal of figure 1A).

SAVE THESE INSTRUCTIONS!

LBL

7400 Linder Ave, Skokie, IL 60077

800.323.3226 - 847.626.6300

www.lblighting.com

© 2017 LBL Lighting. All rights reserved. The "LBL Lighting" graphic is a registered trademark of LBL Lighting. LBL Lighting reserves the right to change specifications for product improvements without notification.

A Generation Brands Company