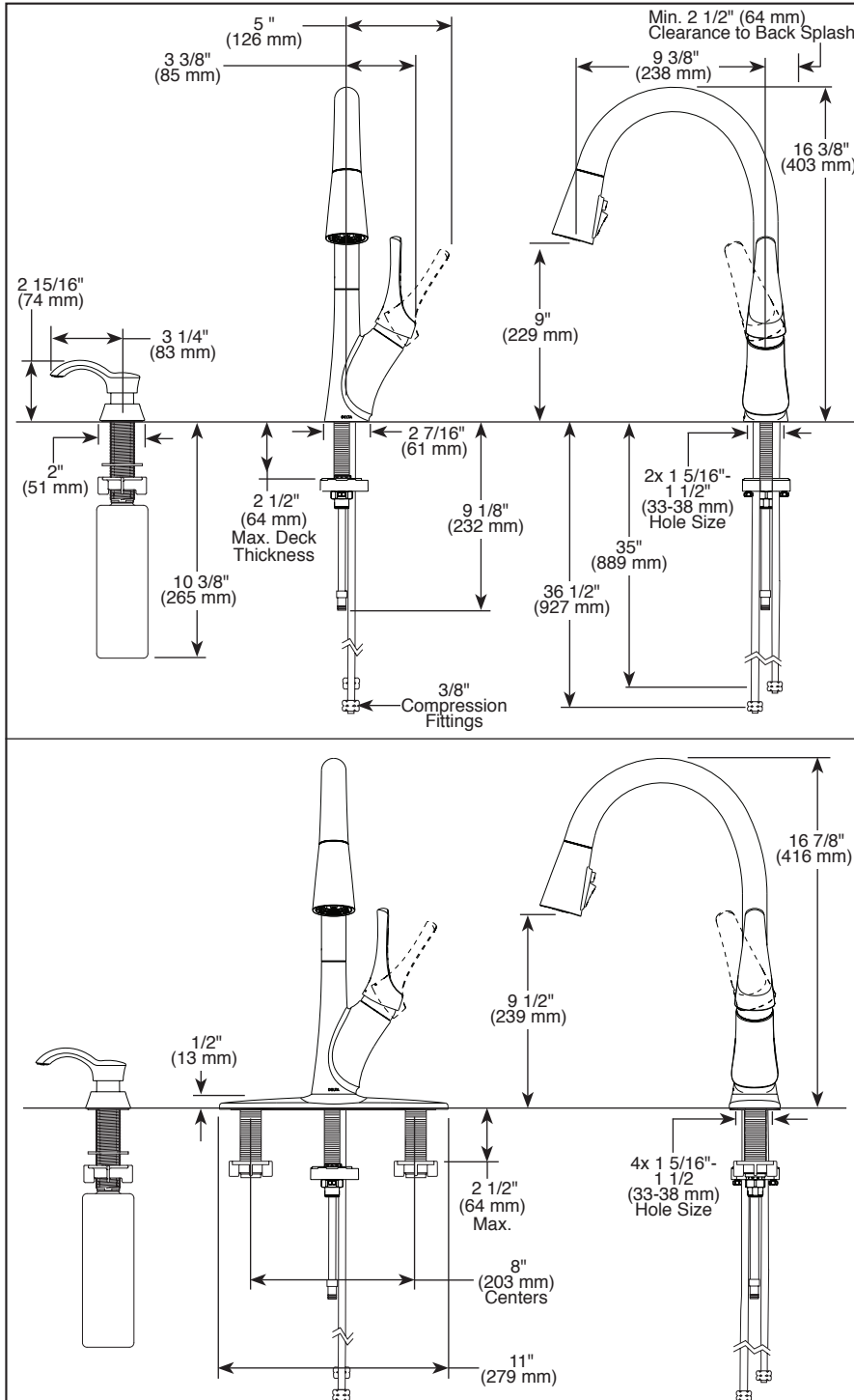


19795Z-▲SD-DST

19795Z-▲SD-DST with optional escutcheon

Submitted Model No.: \_\_\_\_\_

Specific Features: \_\_\_\_\_



▲ Designate proper finish suffix

Delta reserves the right (1) to make changes in specifications and materials, and (2) to change or discontinue models, both without notice or obligation. Dimensions are for reference only. See current full-line price book or [www.deltafaucet.com](http://www.deltafaucet.com) for finish options and product availability.

DSP-K-19795Z-SD-DST Rev. A



see what Delta can do™

## KITCHEN FAUCETS

- Rochester™ Collection
- Single Handle Pull-Down

### FEATURES:

- DIAMOND Seal® Technology
- Touch-Clean® Technology
- MagnaTite® Docking System
- 3-Function Pull-Down w/Shield-Spray™

### STANDARD SPECIFICATIONS:

- Maximum 1.8 gpm @ 60 psi, 6.8 L/min @ 414 kPa
- One, two, three, or four hole mount (escutcheon optional, included)
- Diamond coated ceramic cartridge
- 3/8" O.D. straight, staggered PEX supply tubes
- Spout rotates 360°
- Hot/cold indicator markings
- Dual integral check valves in sprayer
- Soap dispenser with 8 oz. reservoir (optional, included)

### WARRANTY

- Lifetime limited warranty on parts (other than electronic parts and batteries) and finishes: or, for commercial users, for 5 years from date of purchase.
- 5 year limited warranty on electronic parts (other than batteries); or, for commercial users, for 1 year from the date of purchase. No warranty is provided on batteries.

### COMPLIES WITH:

- ASME A112.18.1 / CSA B125.1
- ASME A112.18.6
- Indicates compliance to ICC/ANSI A117.1
- Verified compliant with .25% weighted average Pb content regulations.

**Delta Faucet Company**  
 55 E. 111th Street, Indianapolis, IN 46280  
 350 South Edgeware Road, St. Thomas, ON N5P 4L1  
 © 2018 Delta Faucet Company