

## INFORMATION 10-14

**Concerning: LXW-B upper hatch and LXN-B box extension in version for the self-assembly.**

**Objective: Expanding range of accessories for loft ladders.**

I kindly inform that in **September 2014** range of accessories for loft ladders has been expanded with accessories for the self-assembly: **LXW-B** upper hatch and **LXN-B** box extension in inch sizes.

**LXW-B** and **LXN-B** feature the same properties and are characterized by the same functionality as their counterparts: **LXW** and **LXN**. Additional advantages of products for the self-assembly are their small sizes allowing for:

- **space savings in the warehouse,**
- **convenient transport.**

**Upper hatch** prevents windswept attic dust from accumulating on the ladder and the hatch when closed. In addition, it improves insulation performance and tightness of the loft ladder onto which it is mounted.

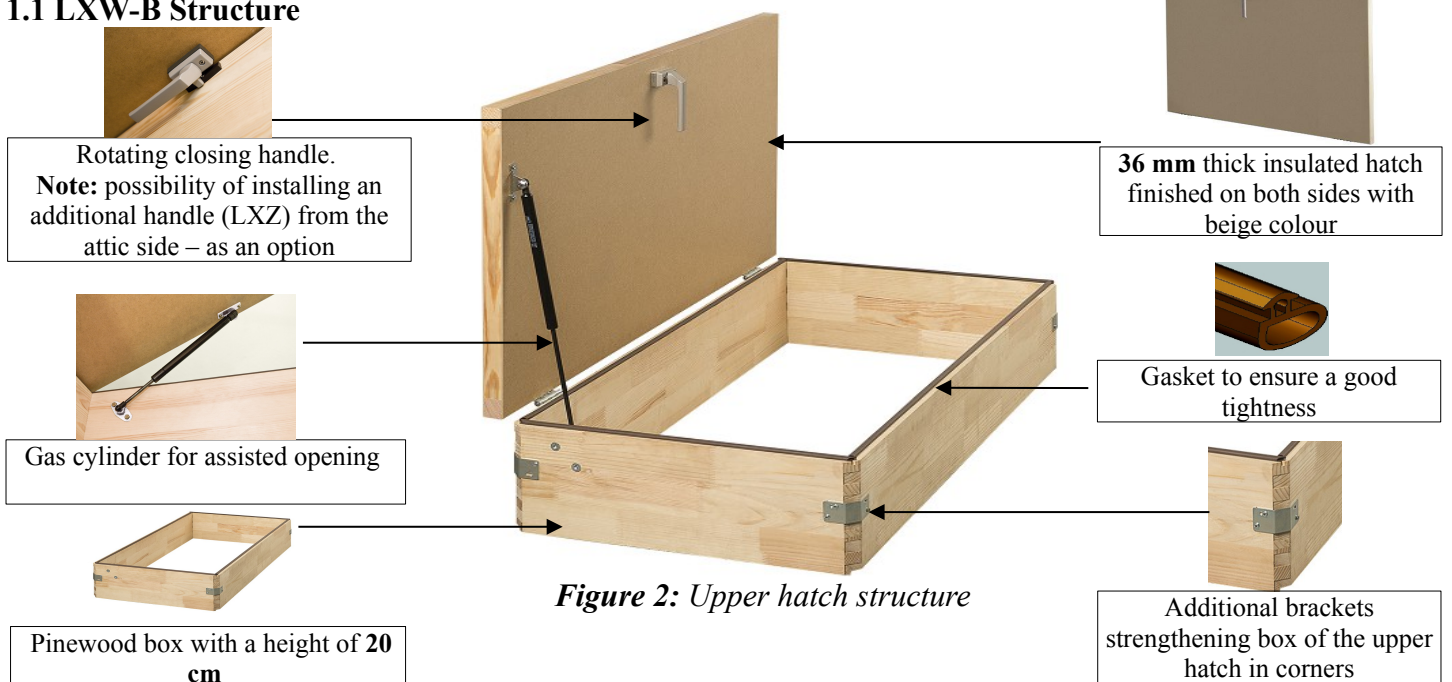
**Box extension** is mounted on the loft ladder in order to aesthetically finish the opening in the ceiling. Additionally, in case of thick ceilings and 4-section and scissors loft ladders (LST and LSZ) box extension is used as an element extending box height, thus allowing installation of the upper hatch (see table 2).



*Figure 1: Loft ladder with installed upper hatch*

## 1 Upper hatch & box extension structure

### 1.1 LXW-B Structure



*Figure 2: Upper hatch structure*

## 1.2 LXN-B Structure



**Figure 3:** Box extension structure

## 2 Availability & Sizes

LXW-B upper hatch and LXN-B box extension are manufactured in the inch sizes corresponding to the range of FAKRO loft ladders in USA and Canada – **table 1:**

LXW-B upper hatch		LXN-B box extension	
Code	Size [inch]	Code	Size [inch]
869702	22,5"x47"	869709	22,5"x47"
869703	25"x47"	869710	25"x47"
869704	22,5"x54"	869711	22,5"x54"
869705	25"x54"	869712	25"x54"
869706	30"x54"	869713	30"x54"
869707	22,5"x31"	869714	22,5"x31"
869708	27"x31"	869715	27"x31"

**Table 1:** LXW-B and LXN-B sizes

When ordering upper hatch and box extension provide commercial size and model of the loft ladder. Sizes of box extension correspond to sizes of the loft ladder box.

Order processing time is **15 working days**.

LXW-B upper hatch and LXN-B box extension belong to a group of "Accessories for Loft Ladders" and are subject to the same trade conditions.

**Note:**

***LXW-B upper hatch and LXN-B box extension are not compatible with the LSF loft ladder due to design of the loft ladder box.***

### 3 Installation notes

Depending on the model of the loft ladder and the height of the box, the maximum thickness of the ceiling in which the upper hatch can be installed is described in **table 2**. If the maximum thickness of the ceiling prevents installation of the upper hatch, it is necessary to order box extension (Figure 4) so as to **increase the height of the box**.

Loft ladder models onto which the upper hatch can be mounted	Maximum ceiling thickness	
	Upper hatch	Upper hatch + box extension
LWN, OWM	28cm/ 11"	38cm/ 15"
LWP, LWF, LMS	31cm/ 12 1/4"	41cm/ 16 1/8"
LWT	39cm / 15 3/8"	49cm/ 19 1/4"
LST*	-	41cm/ 16 1/8"

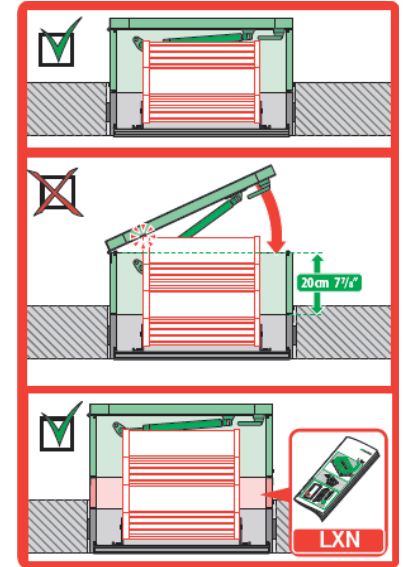
\* - mounting LXW upper hatch possible after installing LXN box extension

**Table 2:** Maximum ceiling thickness for installation of the upper hatch with particular models of loft ladders.

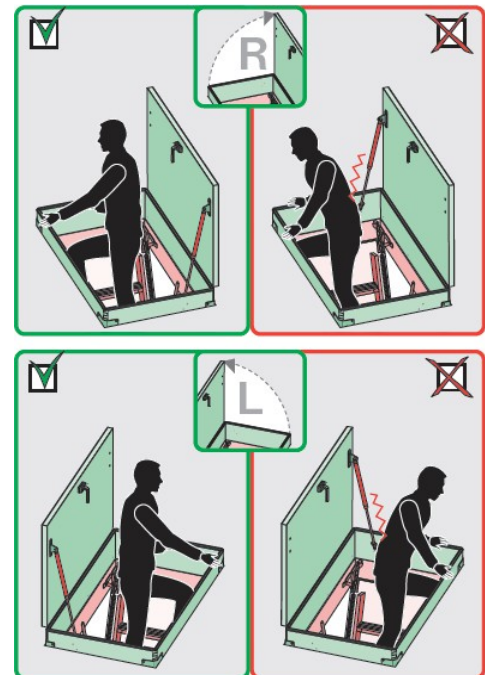
**Note:** in the upper hatch (both LXW and LXW-B) manufactured since August 2014 it is possible to choose a side to which the hatch will be opened (Fig. 6). Additional openings allow to mount cylinder on the right or left side of the upper hatch box. **One must make sure that the cylinder does not impede access to the loft space** (Fig. 5).



**Figure 6:** Upper hatch opened to the left or right side



**Figure 4:** Box extension installation extending height of the loft ladder box



**Figure 5:** Proper installation of the upper hatch

## 4 Logistics

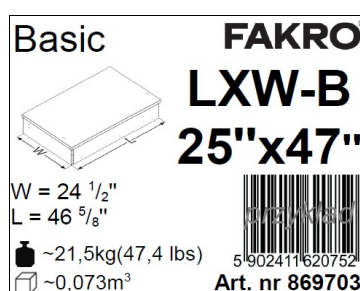
**LXW-B** upper hatch and **LXN-B** box extension are packed into cardboard boxes. Inside the package, there are included:

- component elements of upper hatch / box extension,
- installation kit,
- installation instructions: product assembly instructions and instructions for setting product onto the ladder.

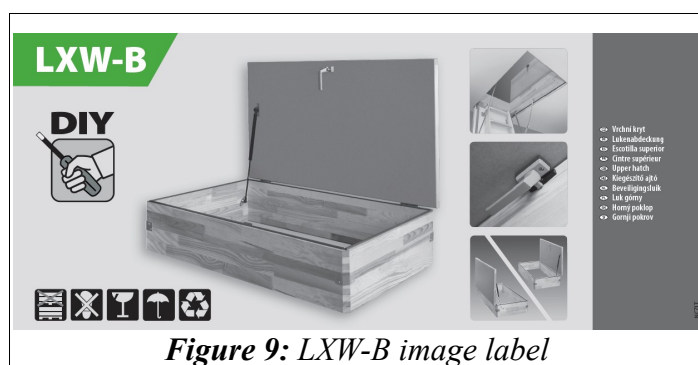


**Figure 7: Packing LXW-B upper hatch**

The LXW-B upper hatch package includes four production labels located in corners (Fig. 8) and image label (Fig. 9).

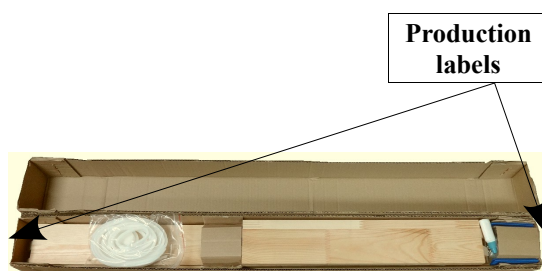


**Figure 8: LXW-B production label**



**Figure 9: LXW-B image label**

The production labels are located on two short sides of the LXN-B box extension package (Fig. 10).



**Figure 11: Packing LXN-B box extension**



**Figure 10: LXN-B production label**

Prepared by:

Anna Dusza  
Product Specialist

Approved by:

Łukasz Serafin  
Product Manager