

WA54M8750AV

SAMSUNG

Samsung activewash™ Top-Load Washer

5.4 cu. ft. Capacity DOE



Signature Features

activewash™

- Built-in sink for pretreatment.

5.4 cu. ft. Capacity


- Largest capacity in its class.*

*Based on USDOE/EPA listing, 27" Width Top-Load Washer as of December 2016.

Steam Wash

- Uses the power of steam to remove stains without pretreatment.

Available Colors

 Black Stainless Steel (shown)

 White



activewash™



5.4 cu. ft. Capacity

Features

- activewash™
- 5.4 cu. ft. Capacity
- Steam Wash
- Super Speed
- Wi-Fi Connectivity
- VRT Plus™ Technology
- Self Clean
- Smart Care
- Integrated Touch Controls
- Swirl Interior Drum Design
- EZ Drawer Dispenser
- 800 RPM Maximum Spin Speed
- Stainless Steel Pulsator
- Direct Drive Motor
- Internal Heater

- 12 Preset Wash Cycles
- 11 Options
- LED Display: Ice Blue
- Door Lid: Chrome Deco
Transparent Curved Glass
- Soft-Close Lid

Convenience

- Child Lock
- Delay End
- Dispenser Trays: Main Wash,
Softener, Bleach (Manual)

Rating



ENERGY STAR®-rated
IMEF = 2.06
IWF = 4.30
165 kWh/yr

WA54M8750AV

SAMSUNG

Samsung activewash™ Top-Load Washer

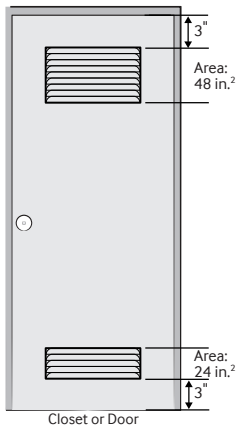
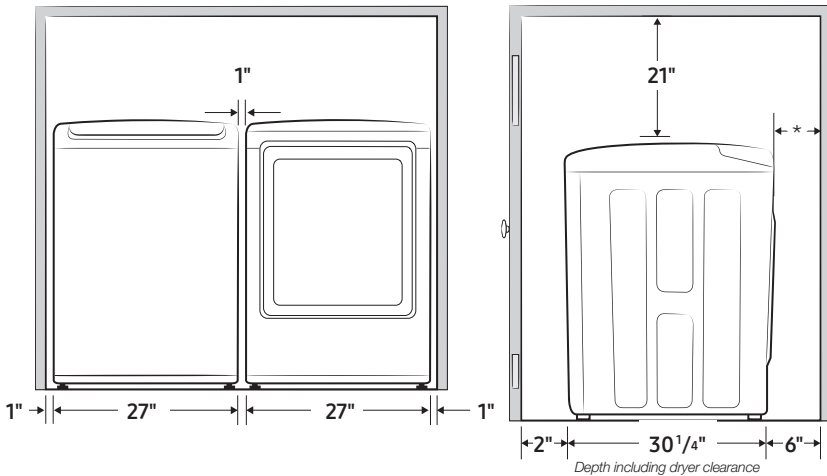
5.4 cu. ft. Capacity DOE

Installation Specifications

Alcove or closet installation

Recessed Area

Side View Confined



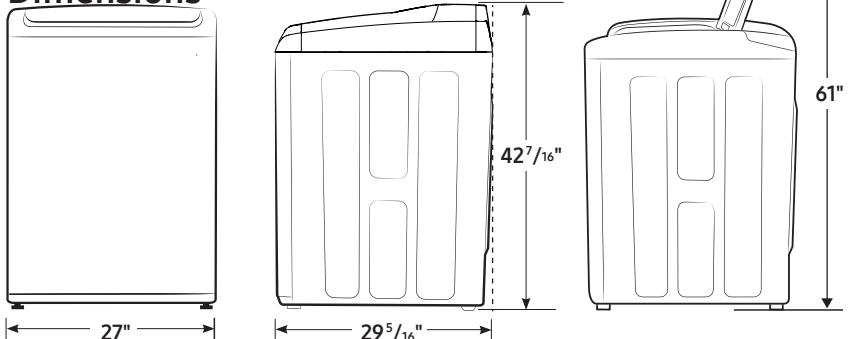
Minimum clearances for closets and alcoves:

- Sides – 1"
- Top – 21"
- Rear – 6"
- Closet Front – 2"

If the washer and dryer are installed together, the closet front must have at least a 72-inch² unobstructed air opening. Your washer alone does not require a specific air opening.

*Required spacing (External exhaust elbow may require additional space.)

Dimensions



12 Preset Wash Cycles:

Normal, Super Speed, Bedding/WaterProof, Heavy Duty, Permanent Press, Steam Sanitize, Brilliant Whites, Delicates/Hand Wash, Quick Wash, Rinse + Spin, Spin Only, Deep Wash

11 Options:

Self Clean, Delay End, My Cycle, Pre Soak, Extra Rinse, Sound On/Off, Child Lock, Fabric Softener, Smart Care, Smart Control, Eco Plus

6 Temperature Settings:

Extra Hot, Hot, Warm, Eco Warm, Cold, Cool

5 Spin Settings:

Extra High, High, Medium, Low, No Spin

5 Soil Settings:

Heavy, Heavy Medium, Normal, Low Medium, Light

2 Sound Level Settings:

On/Off

Dispenser Trays:

Main Wash, Softener, Bleach (Manual)

Warranty

One (1) Year Parts and Labor
Three (3) Years Stainless Steel Tub (Part Only)
Ten (10) Years Direct Drive Motor (Part Only)

Product Dimensions & Weight (WxHxD)

Dimensions: 27" x 42 7/16" x 29 5/16"
Weight: 136.7 lbs

Shipping Dimensions & Weight (WxHxD)

Dimensions: 29 9/16" x 45 11/16" x 31 1/16"
Weight: 145.5 lbs

| Color | Model # | UPC Code |
|-----------------------|-------------|--------------|
| Black Stainless Steel | WA54M8750AV | 887276196466 |
| White | WA54M8750AW | 887276196473 |

Matching Dryer (Electric/Gas)

| | | |
|-----------------------|-------------|--------------|
| Black Stainless Steel | DVE54M8750V | 887276197005 |
| White | DVE54M8750W | 887276196893 |
| Black Stainless Steel | DVG54M8750V | 887276197043 |
| White | DVG54M8750W | 887276197050 |