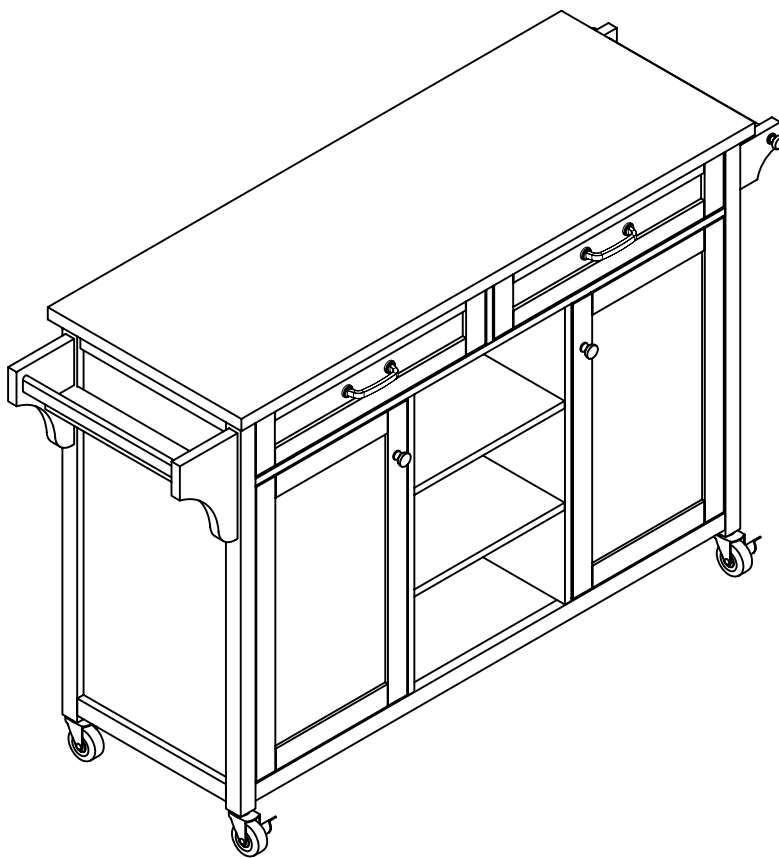


USE AND CARE GUIDE

ROCKFORD KITCHEN CART



Questions, problems, missing parts? Before returning to the store,
call Home Decorators Collection Customer Service.
8 a.m. – 7 p.m., EST, Monday – Friday, 9 a.m. – 6 p.m., EST, Saturday

1-800-998-7021

HOMEDEPOT.COM/HOMEDECORATORS

THANK YOU

We appreciate the trust and confidence you have placed in Home Decorators Collection through the purchase of this rockford kitchen cart. We strive to continually create quality products designed to enhance your home. Visit us online to see our full line of products available for your home improvement needs. Thank you for choosing Home Decorators Collection!

Table of Contents

Table of Contents.....	2	Hardware Included.....	3
Safety Information.....	2	Pre-assembly (continued).....	4
Warranty.....	2	Package Contents.....	4
3 Year Warranty.....	2	Assembly.....	5
What is Covered.....	2		
What is Not Covered.....	2		
Pre-assembly.....	3		
Planning Assembly.....	3		
Tools Required.....	3		

Safety Information



DANGER

- Keep small parts away from children during assembly.
- Read and follow instructions carefully.



WARNING

- Read these instructions carefully and keep in a safe place.
- TO GUARANTEE THE SAFE USE OF THIS PRODUCT, FOLLOW THE WARNINGS, GUIDELINES AND RECOMMENDATIONS IN THIS MANUAL.
- Adult assembly required.
- Small parts may present choking hazard prior to assembly.
- Do not place heavy objects on the glass top.
- Some assembly may involve attaching glass or mirrors.
- Be very careful handling the glass or mirrors, as severe injury may result if the glass or mirror breaks.
- Never handle large pieces of glass or mirrors by yourself.



CAUTION

- Do not use power tools to assemble your furniture. Power tools may strip or damage parts/product.
- Do not overtighten connectors (screws, bolts, etc.). Overtightening can lead to product damage.
- Be sure to check all packing materials carefully for small parts that may have come loose inside the carton during shipment. If parts are missing, contact THE HOME DEPOT to obtain any missing parts.
- DO NOT USE SUBSTITUTE PARTS.
- This product should only be used on a flat, level surface.

Warranty

3 YEAR WARRANTY

WHAT IS COVERED

We guarantee this product to be free of manufacturing defects to the original purchaser for three years.

WHAT IS NOT COVERED

This warranty does not cover commercial use, acts of nature, and abusive use.

Pre-assembly

PLANNING ASSEMBLY

Keep children and pets away from build area. Make sure your area is large enough to unpack, sort and assemble the unit.

TOOLS REQUIRED



Small head
Phillips
screwdriver

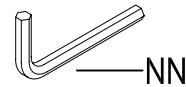
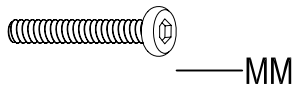
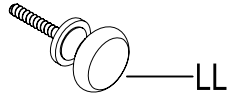
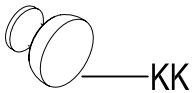
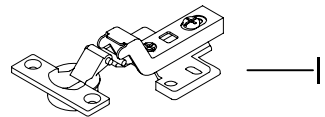
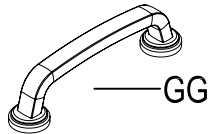
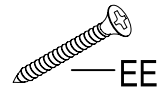
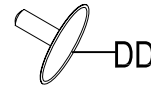
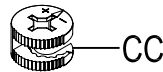
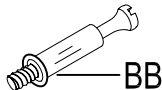
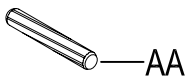


Large head
Phillips
screwdriver

HARDWARE INCLUDED



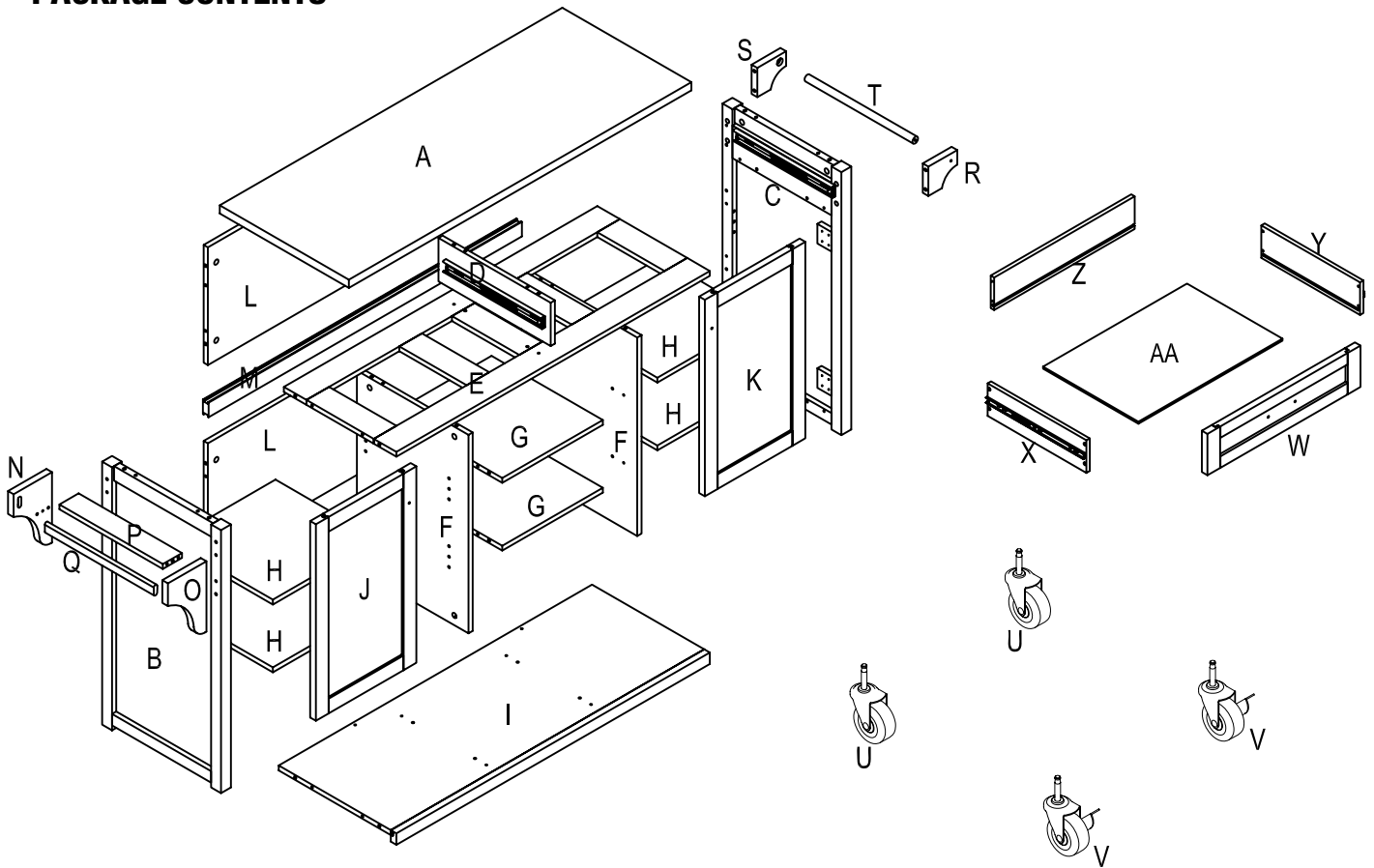
NOTE: Hardware not shown to actual size.



Part	Description	Quantity
AA	Wood dowel	48
BB	Cam lock bolt	44
CC	Cam lock	44
DD	Plastic cover	16
EE	1 in. Flat head screw	18
FF	Shelf support	16
GG	Handle	2
HH	Handle bolt	6
II	Hinge	4
JJ	5/8 in. Flat head screw	24
KK	Knob for door	2
LL	Knob for towel rack	2
MM	Bolt	8
NN	Wrench	1

Pre-assembly (continued)

PACKAGE CONTENTS



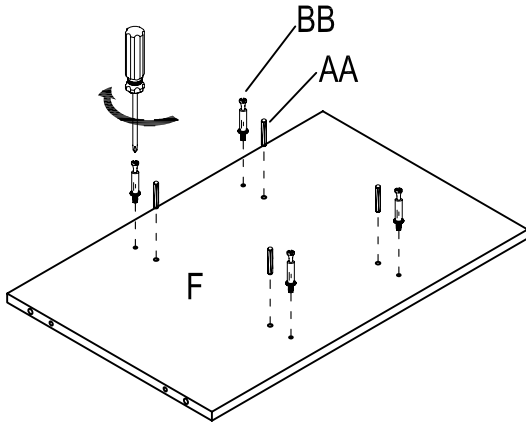
Part	Description	Quantity
A	Top panel	1
B	Left side panel	1
C	Right side panel	1
D	Divider	1
E	Top fixed panel	1
F	Partition	2
G	Bottom fixed panel	2
H	Adjustable shelf	4
I	Bottom panel	1
J	Left door	1
K	Right door	1
L	Back panel	2
M	Crossbar	1
N	Right side spice rack	1

Part	Description	Quantity
O	Left side spice rack	1
P	Support bar	1
Q	Connect bar	1
R	Left side towel rack	1
S	Right side towel rack	1
T	Towel rack bar	1
U	Universal wheel	2
V	Universal wheel with brake	2
W	Drawer front panel	2
X	Drawer left side panel	2
Y	Drawer right side panel	2
Z	Drawer back panel	2
AA	Drawer bottom panel	2

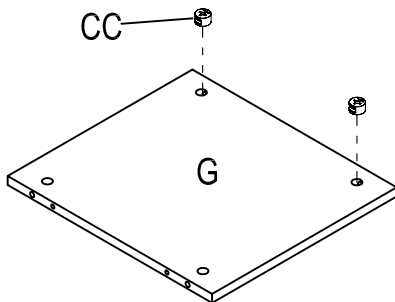
Assembly

1 Attaching bottom fixed panel to partition

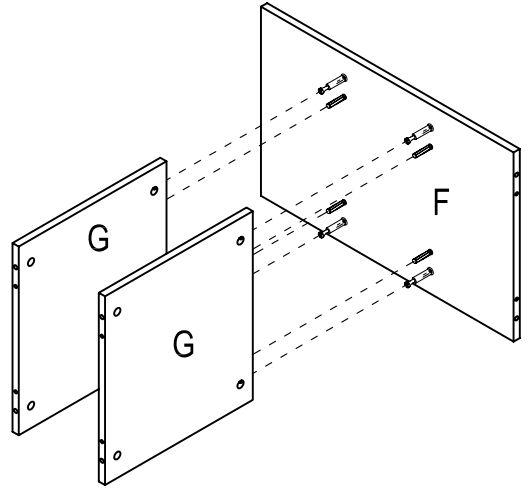
- a) Install dowel (AA) and bolt (BB) into partition (F).



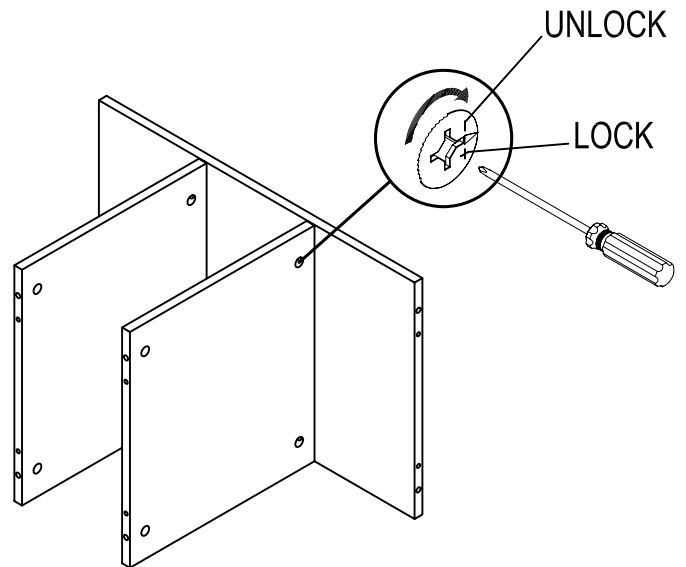
- b) Insert lock (CC) into panel (G).



- c) Join panel (G) to the partition (F).



- d) Tighten bolt (BB) with lock (CC) in the pre-drilled holes.

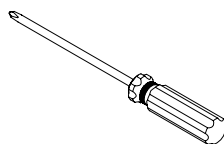
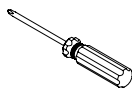
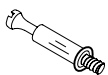


Wood dowel Cam lock bolt Cam lock Small head Large head

(AA) x 4

(BB) x 4

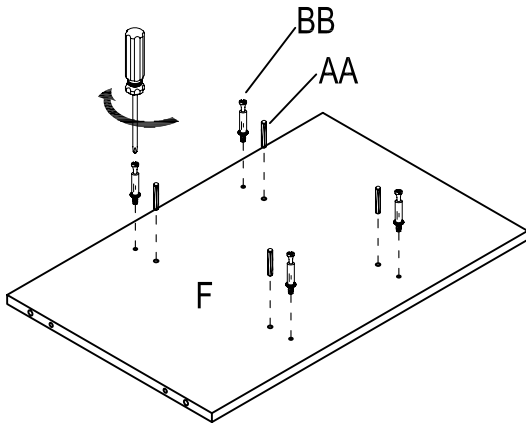
(CC) x 4



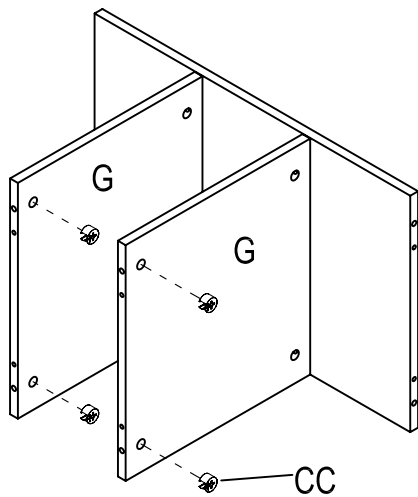
Assembly (continued)

2 Attaching the partition

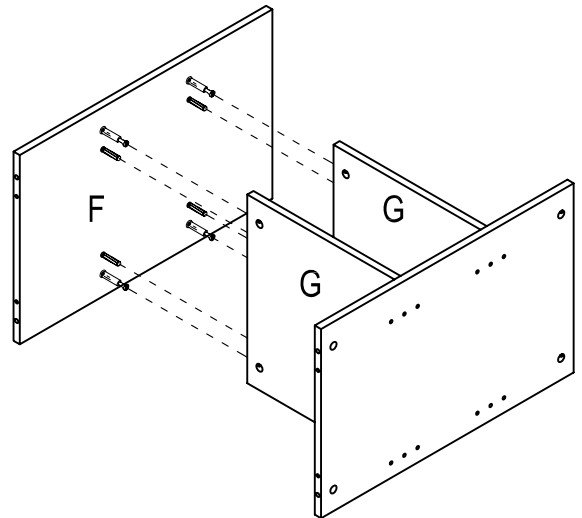
- a) Install dowel (AA) and bolt (BB) into partition (F).



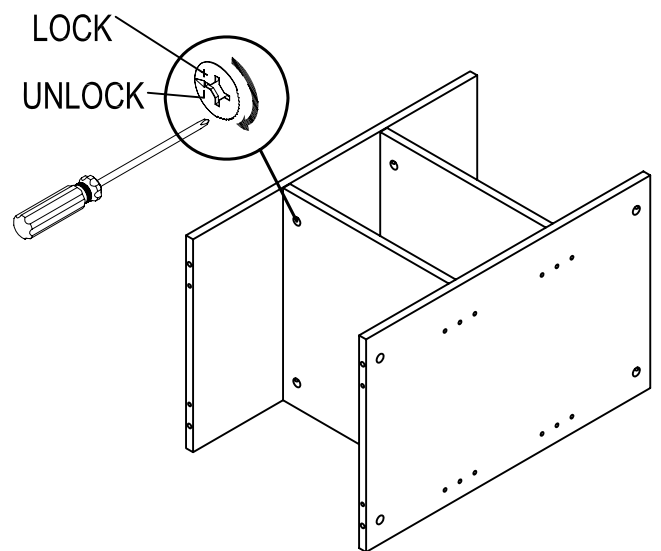
- b) Insert lock (CC) into panel (G).



- c) Join partition (F) to the assembled body with dowel (AA).



- d) Tighten bolt (BB) with lock (CC) in the pre-drilled holes.

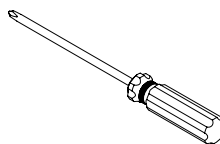
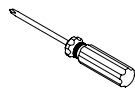
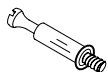


Wood dowel Cam lock bolt Cam lock Small head Large head

(AA) x 4

(BB) x 4

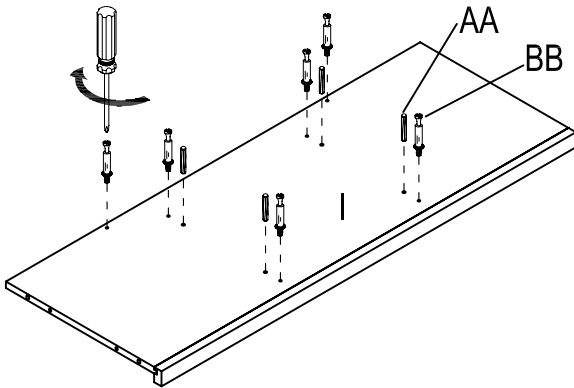
(CC) x 4



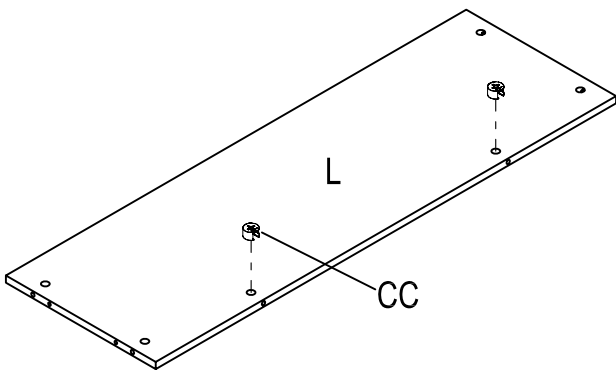
Assembly (continued)

3 Attaching the back panel to bottom panel

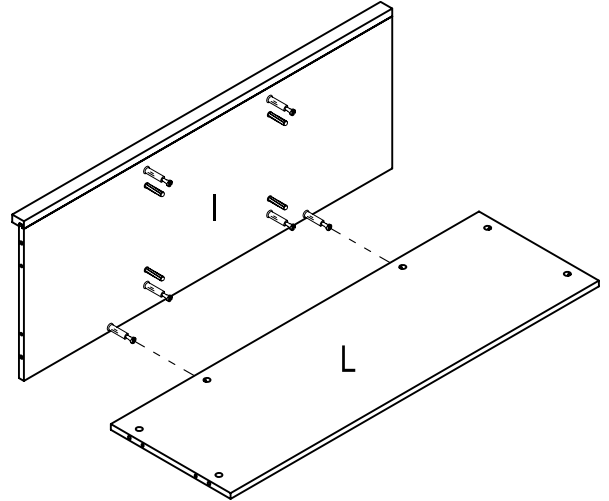
- a) Install dowel (AA) and bolt (BB) into panel (I).



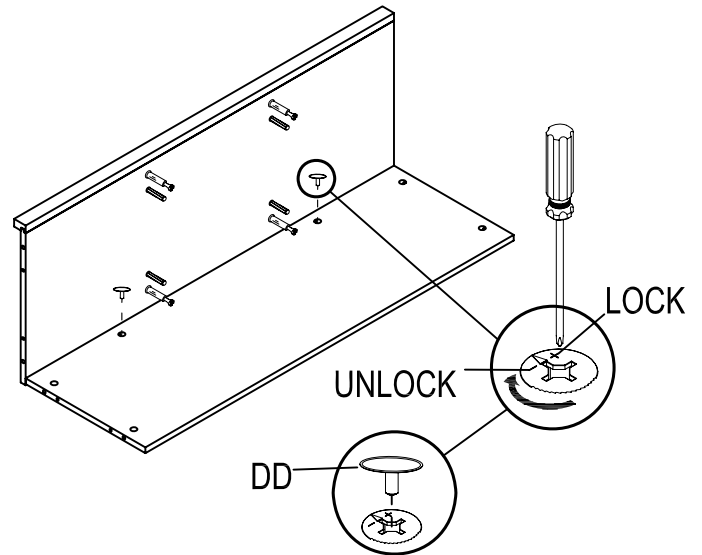
- b) Insert lock (CC) into panel (L).



- c) Join panel (L) to the panel (I) with screw (BB).



- d) Tighten bolt (BB) with lock (CC) in the pre-drilled holes.



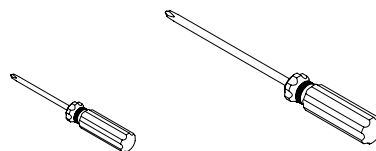
- e) Cover the cam holes with the cover (DD).

Wood dowel Cam lock bolt Cam lock Plastic cover

(AA) x 4 (BB) x 6 (CC) x 2 (DD) x 2



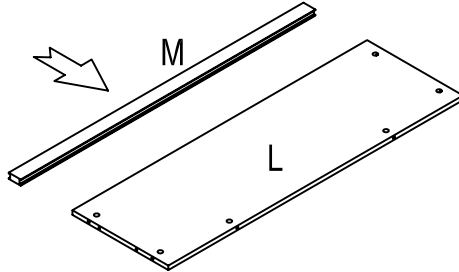
Small head Large head



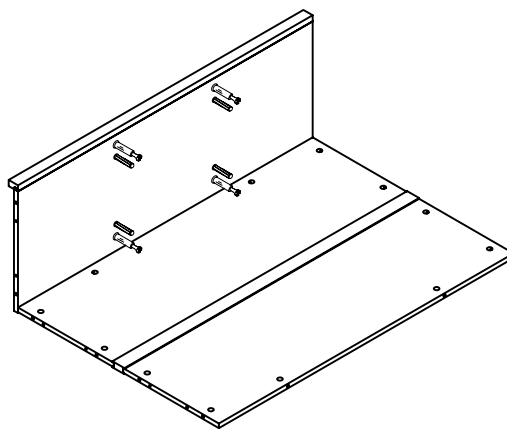
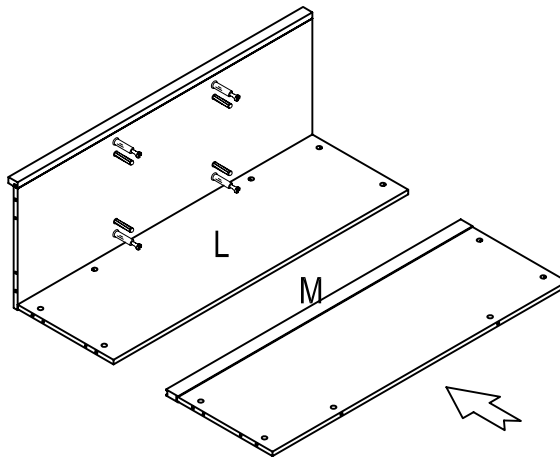
Assembly (continued)

4 Attaching the crossbar to the back panel

- a) Join bar (M) to the panel (L) as shown.



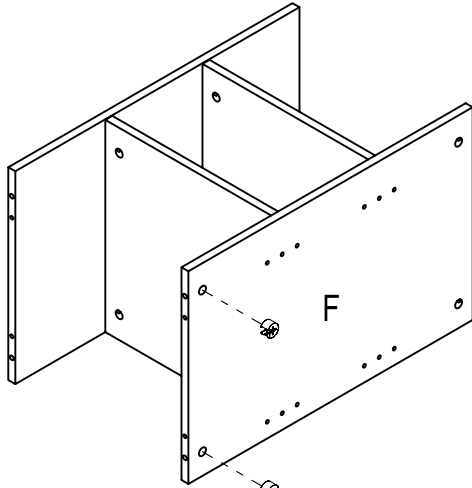
- b) Join bar (M) to the other panel (L) as shown.



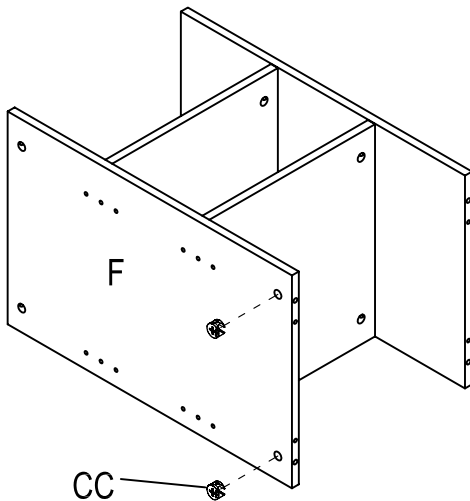
Assembly (continued)

5 Attaching the partition to the Bottom panel

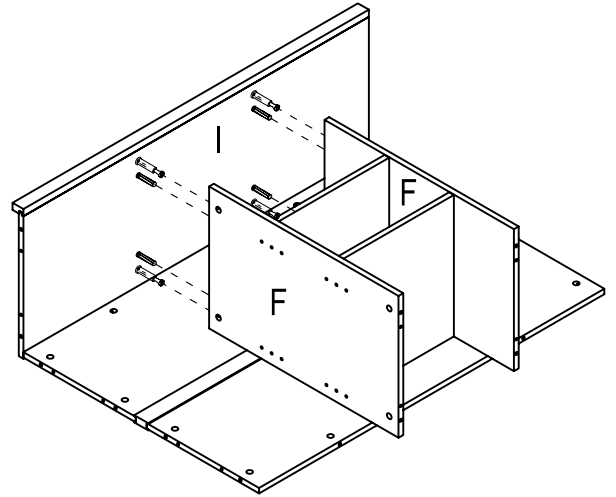
- a) Insert lock (CC) into partition (F).



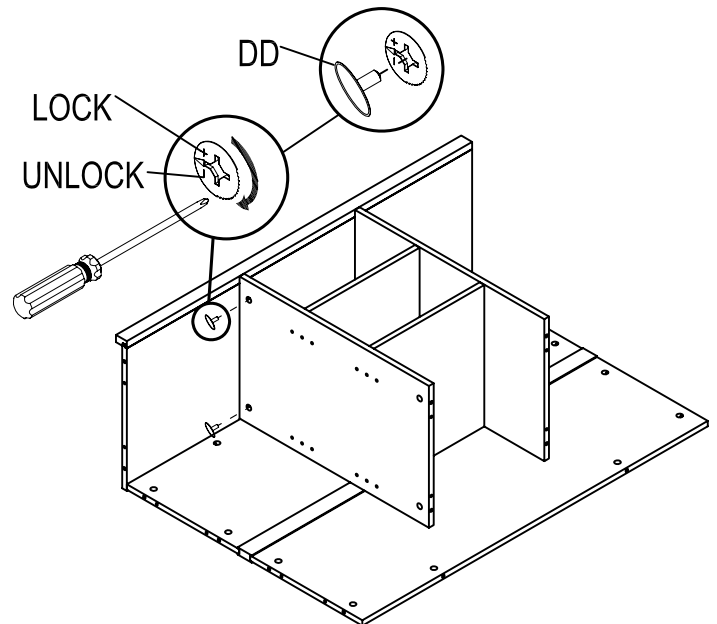
- b) Insert lock (CC) into partition (F).



- c) Join partition (F) to the assembled body with dowel (AA).



- d) Tighten bolt (BB) with lock (CC) in the pre-drilled holes.

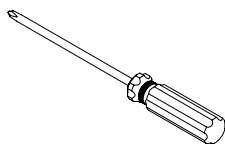


- e) Cover the cam holes with the cover (DD).

Cam lock Plastic cover Large head

(CC) x 4

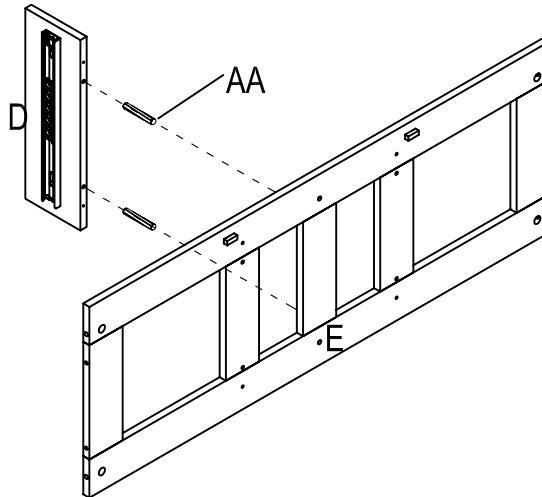
(DD) x 4



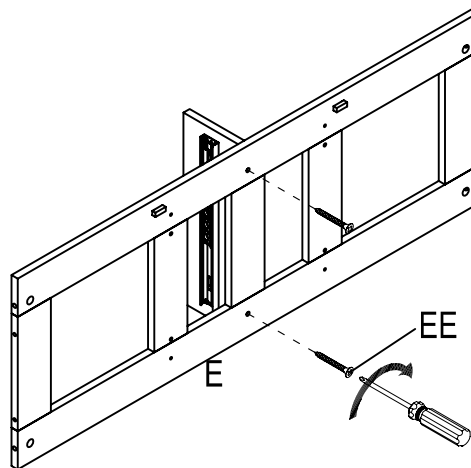
Assembly (continued)

6 Attaching the divider to the top fixed panel

- a) Join divider (D) to the panel (E) with dowel (AA).



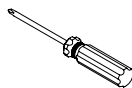
- b) Tighten divider (D) with screw (EE).



Wood dowel 1 in. Flat head screw Small head

(AA) x 2

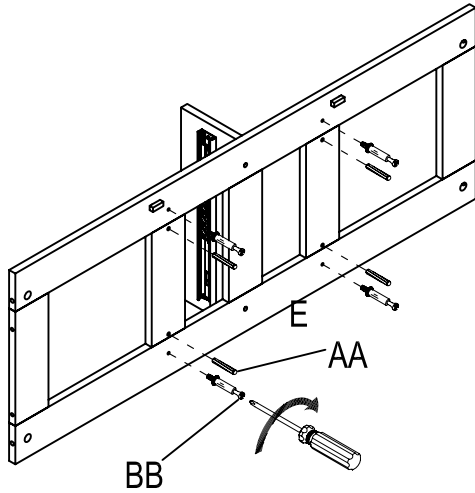
(EE) x 2



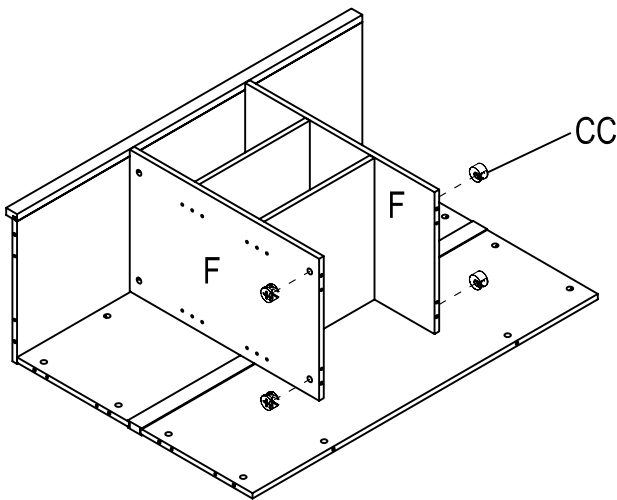
Assembly (continued)

7 Attaching the top fixed panel

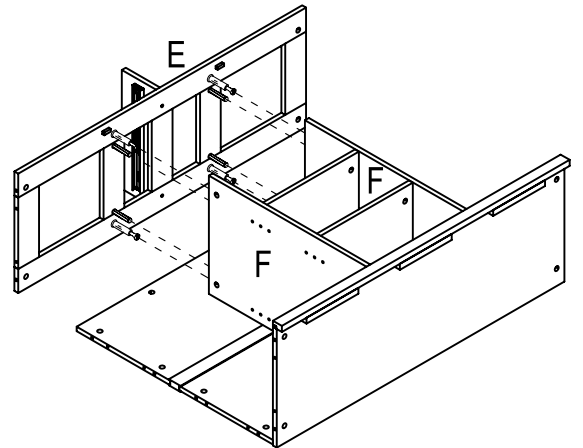
- a) Install dowel (AA) and bolt (BB) into panel (E).



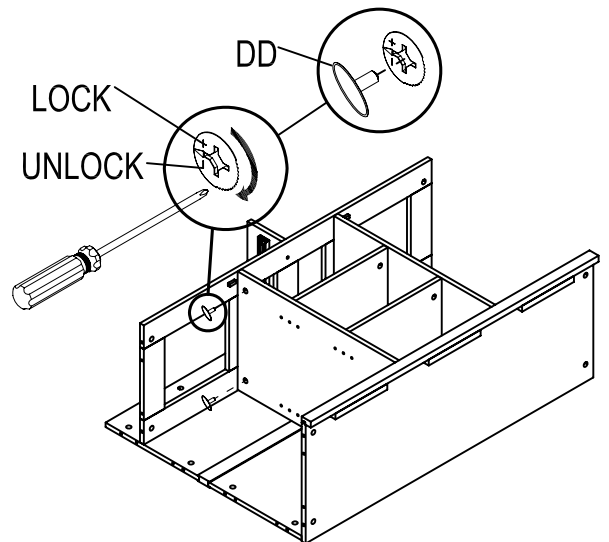
- b) Insert lock (CC) into partition (F).



- c) Join panel (E) to the assembled body with dowel (AA).



- d) Tighten bolt (BB) with lock (CC) in the pre-drilled holes.



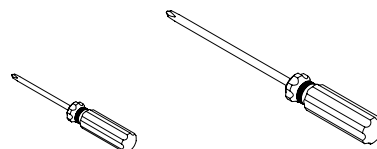
- e) Cover the cam holes with the cover (DD).

Wood dowel Cam lock bolt Cam lock Plastic cover

(AA) x 4 (BB) x 4 (CC) x 4 (DD) x 4



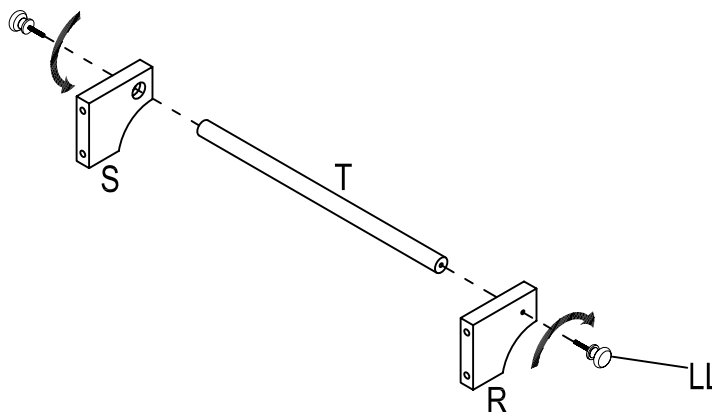
Small head Large head



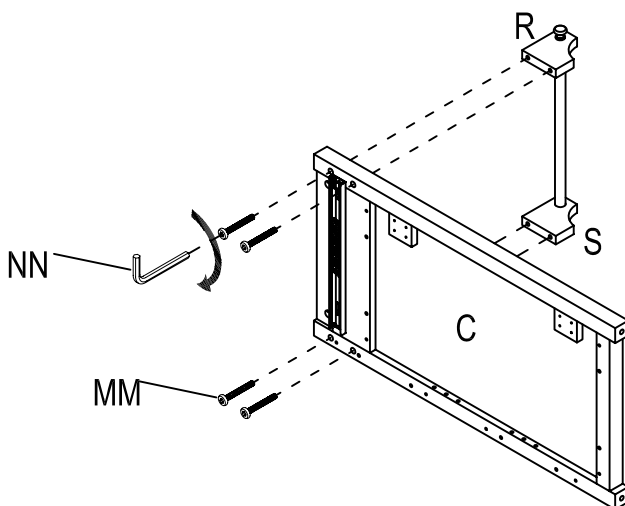
Assembly (continued)

8 Attaching the towel rack

- a) Join towel rack side panels (S) and (R) to the towel bar (T) with knob (LL).



- b) Attach towel rack side panels (S) and (R) to the panel (C) with bolt (MM). Turn and tighten bolt (MM) with wrench (NN).



Knob

Bolt

Wrench

(LL) x 2

(MM) x 4

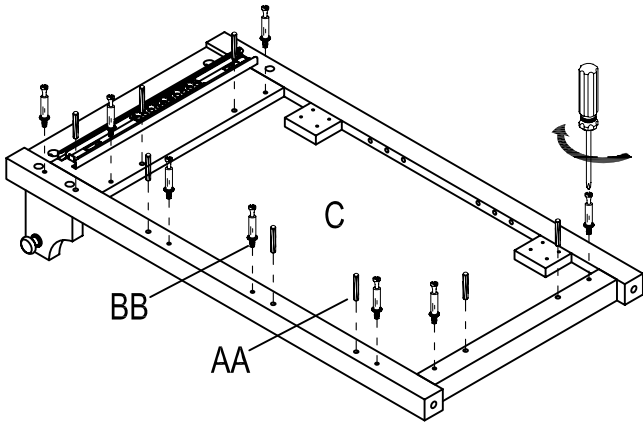
(NN) x 1



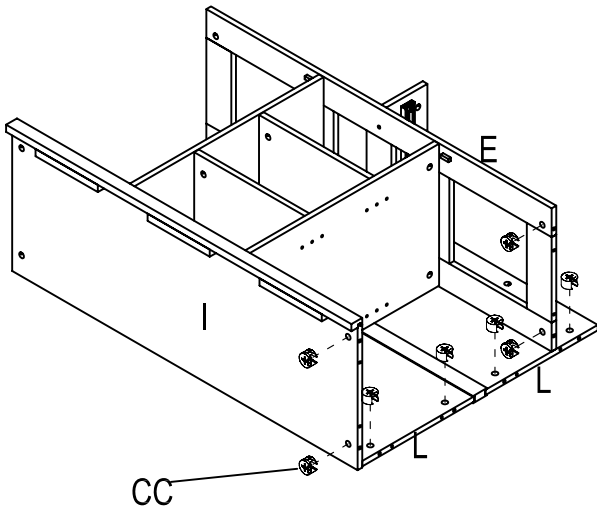
Assembly (continued)

9 Attaching the right side panel

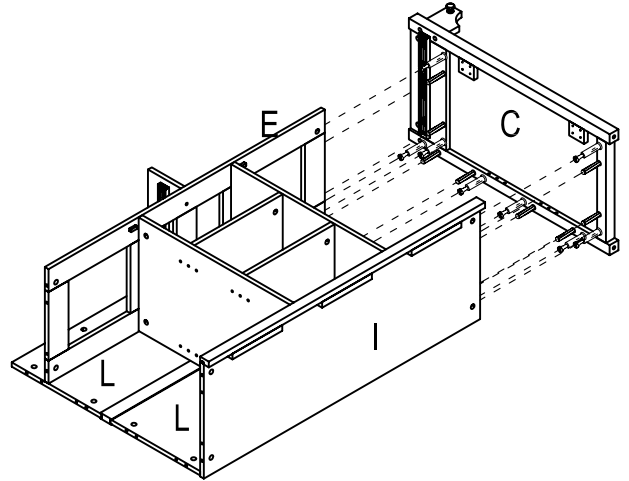
- a) Install dowel (AA) and bolt (BB) into panel (C).



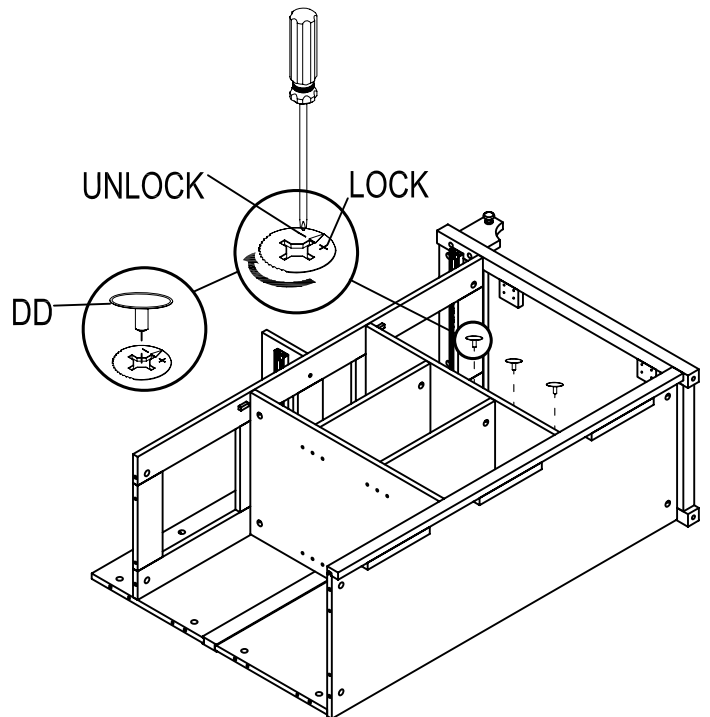
- b) Insert lock (CC) into panels (E), (L), and (I).



- c) Join panel (C) to the assembled body with dowel (AA).



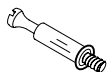
- d) Tighten bolt (BB) with lock (CC) in the pre-drilled holes.



- e) Cover the cam holes with the cover (DD).

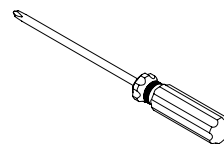
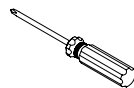
Wood dowel Cam lock bolt Cam lock Plastic cover

(AA) x 8 (BB) x 8 (CC) x 8 (DD) x 3



Small head

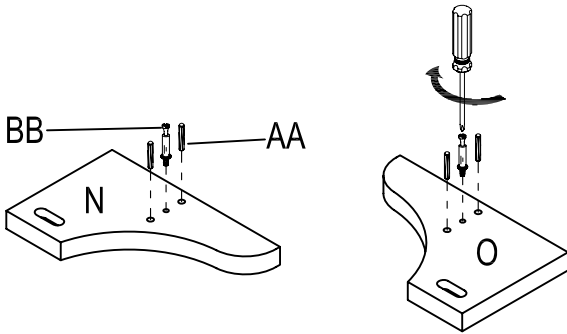
Large head



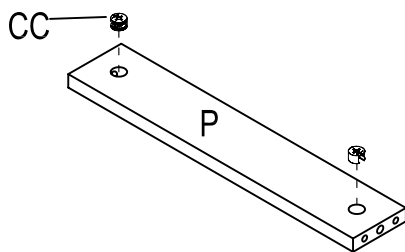
Assembly (continued)

10 Assembling the spice rack

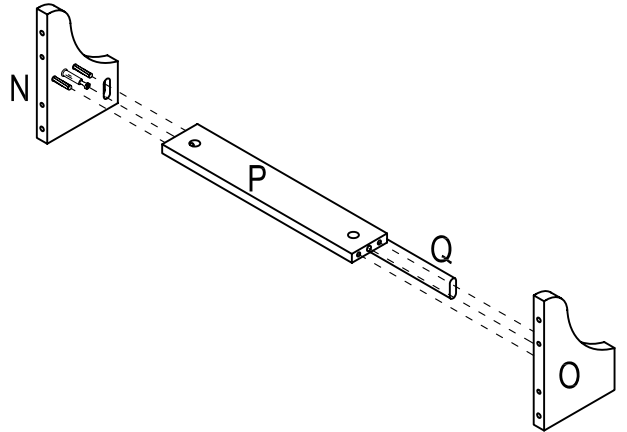
- a) Install dowel (AA) and bolt (BB) into panels (N) and (O).



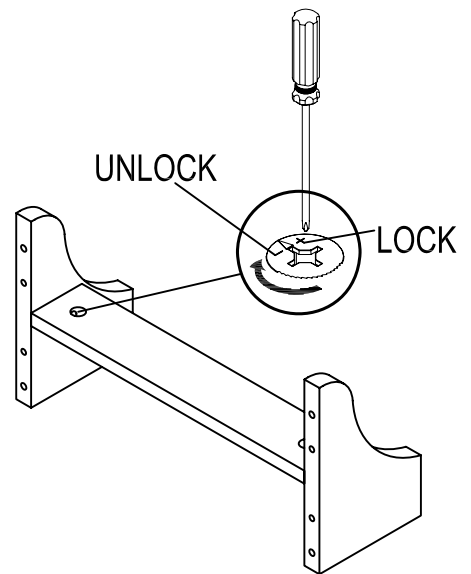
- b) Insert lock (CC) into panel (P).



- c) Join bars (p) and (Q) to the panels (N) and (O).



- d) Tighten bolt (BB) with lock (CC) in the pre-drilled holes.

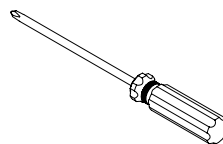
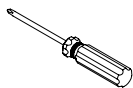
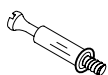


Wood dowel Cam lock bolt Cam lock Small head Large head

(AA) x 4

(BB) x 2

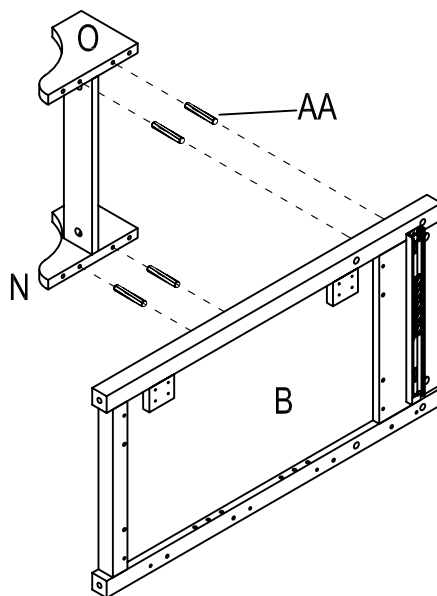
(CC) x 2



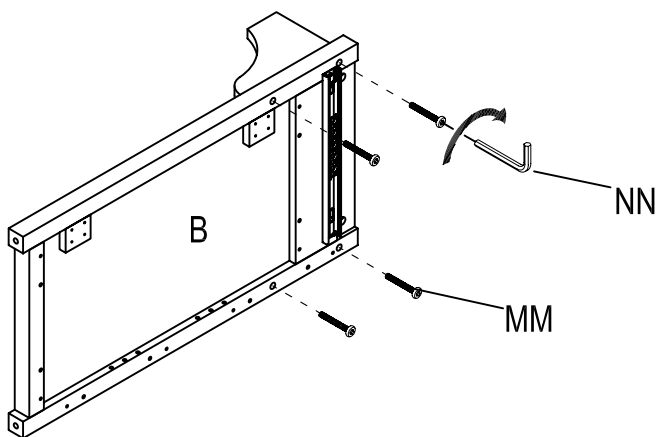
Assembly (continued)

11 Assembling the spice rack

- a) Join assembled spice rack to the panel (B) with dowel (AA).



- b) Attach spice rack side panels (O) and (N) to the panel (B) with bolt (MM). Turn and tighten bolt (MM) with wrench (NN).



Wood dowel

Bolt

Wrench

(AA) x 4

(MM) x 4

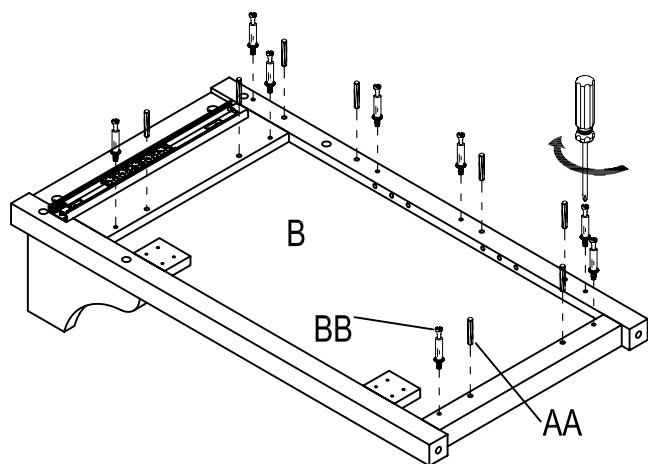
(NN) x 1



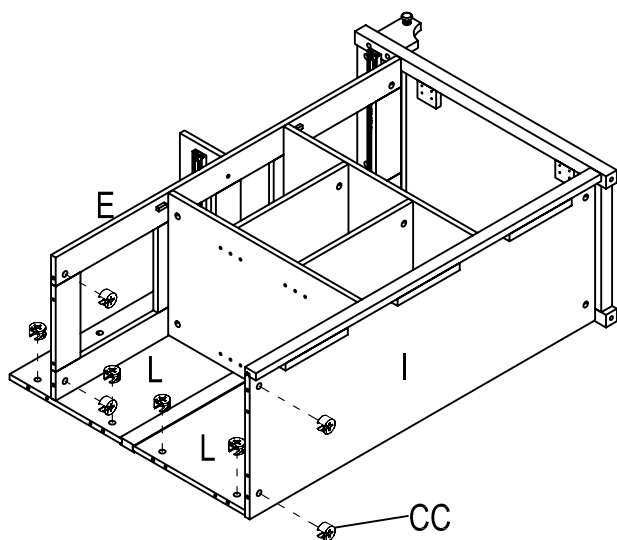
Assembly (continued)

12 Assembling the left side panel

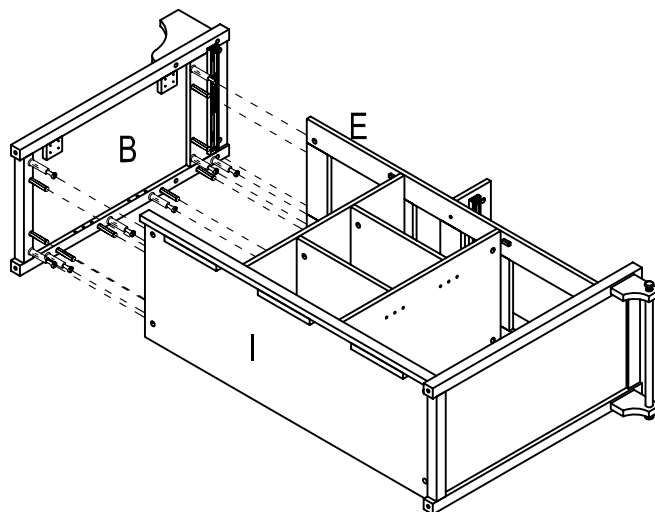
- a) Install dowel (AA) and bolt (BB) into panel (B).



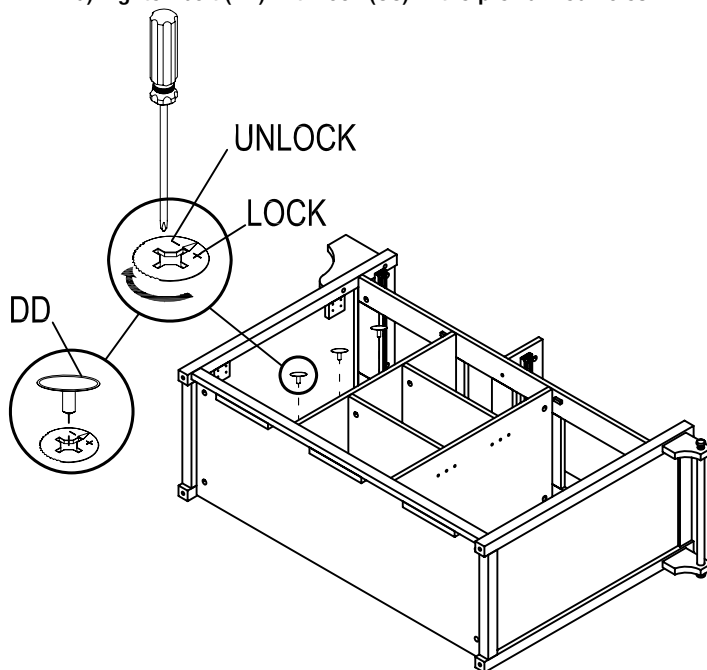
- b) Insert lock (CC) into panels (E), (L) and (I).



- c) Join panel (B) to the assembled body with dowel (AA).



- d) Tighten bolt (BB) with lock (CC) in the pre-drilled holes.



- e) Cover the cam holes with the cover (DD).

Wood dowel Cam lock bolt Cam lock Plastic cover

(AA) x 8

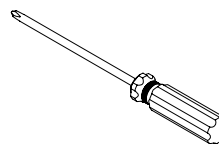
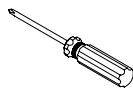
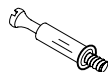
(BB) x 8

(CC) x 8

(DD) x 3

Small head

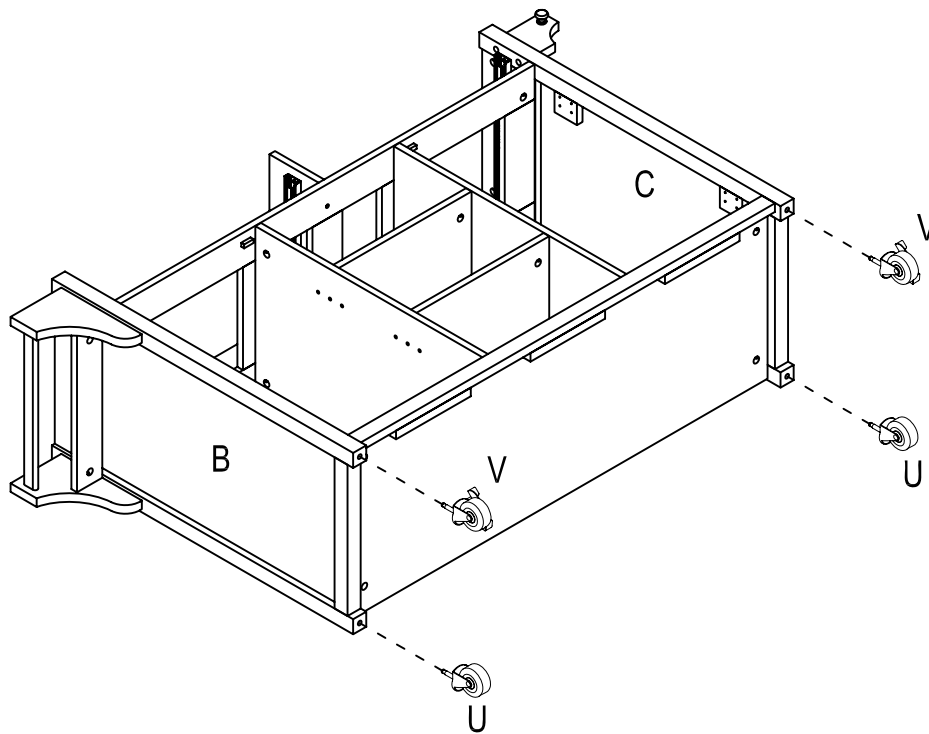
Large head



Assembly (continued)

13 Assembling the universal wheel

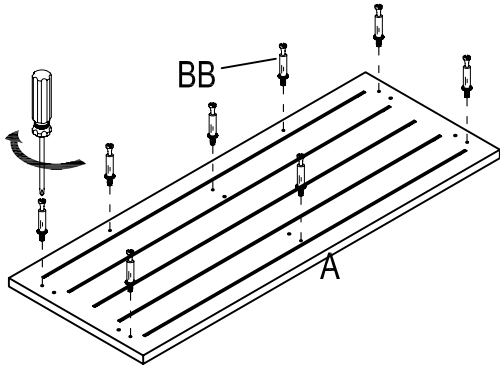
- Insert wheels (U) and (V) into panels (B) and (C) as shown.



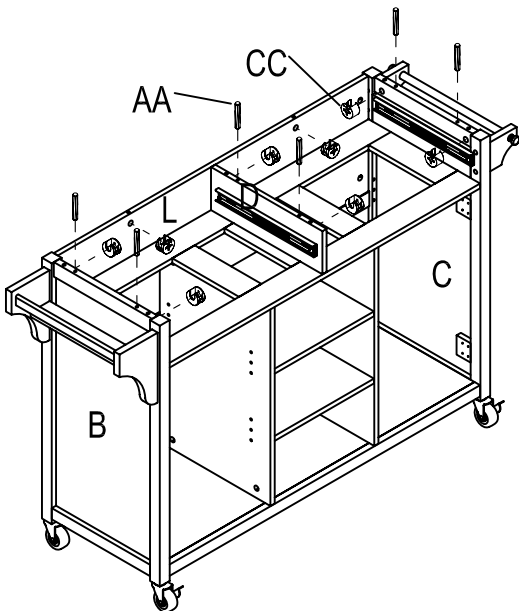
Assembly (continued)

14 Assembling the top panel

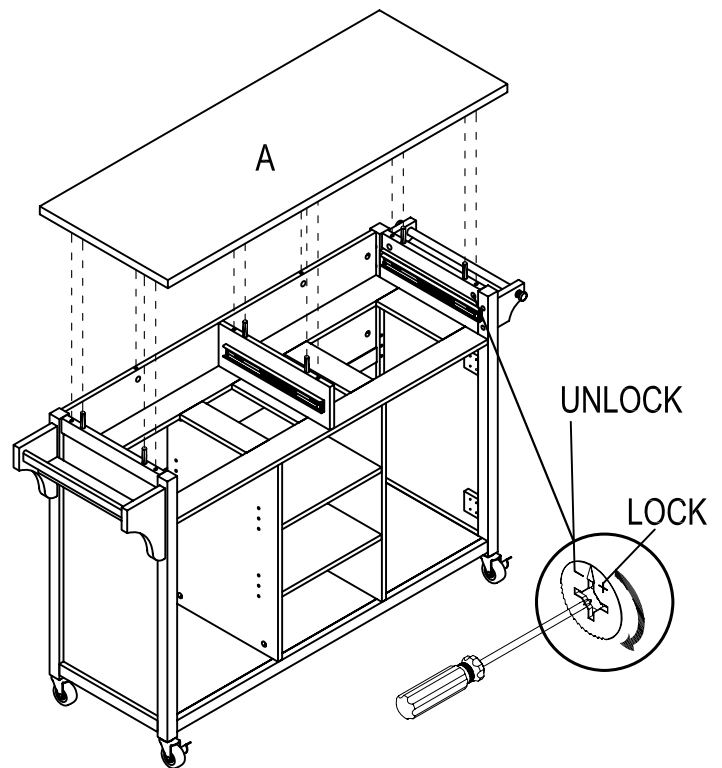
- a) Install bolt (BB) into panel (A).



- b) Insert lock (CC) and dowel (AA) into panels (B), (C) and (L), and divider (D).



- c) Join panel (A) to the assembled body with dowel (AA).



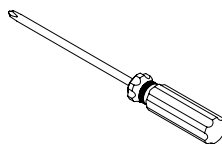
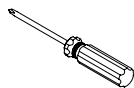
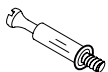
- d) Tighten bolt (BB) with lock (CC) in the pre-drilled holes.

Wood dowel Cam lock bolt Cam lock Small head Large head

(AA) x 6

(BB) x 8

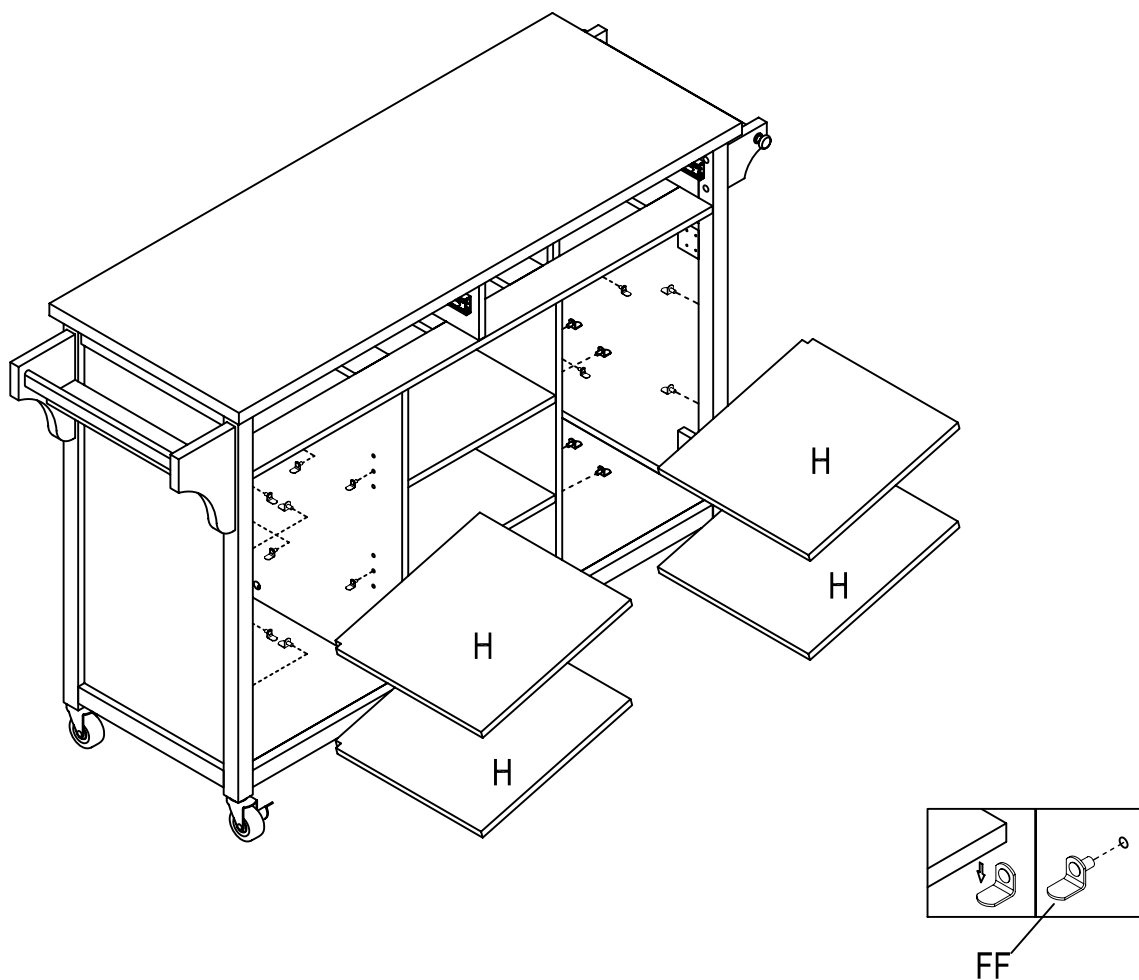
(CC) x 8



Assembly (continued)

15 Assembling the adjustable shelf

- Insert shelf supports (FF) in desired positions and place shelf (H) on the supports.



Shelf support

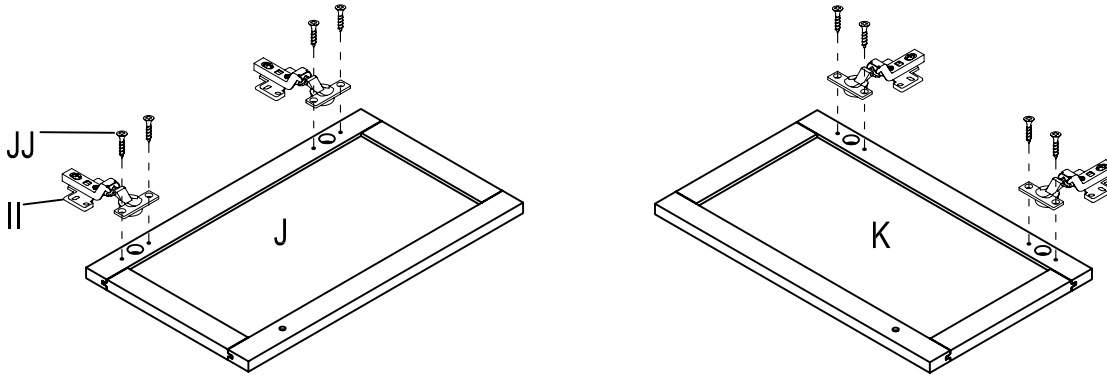
(FF) x 16



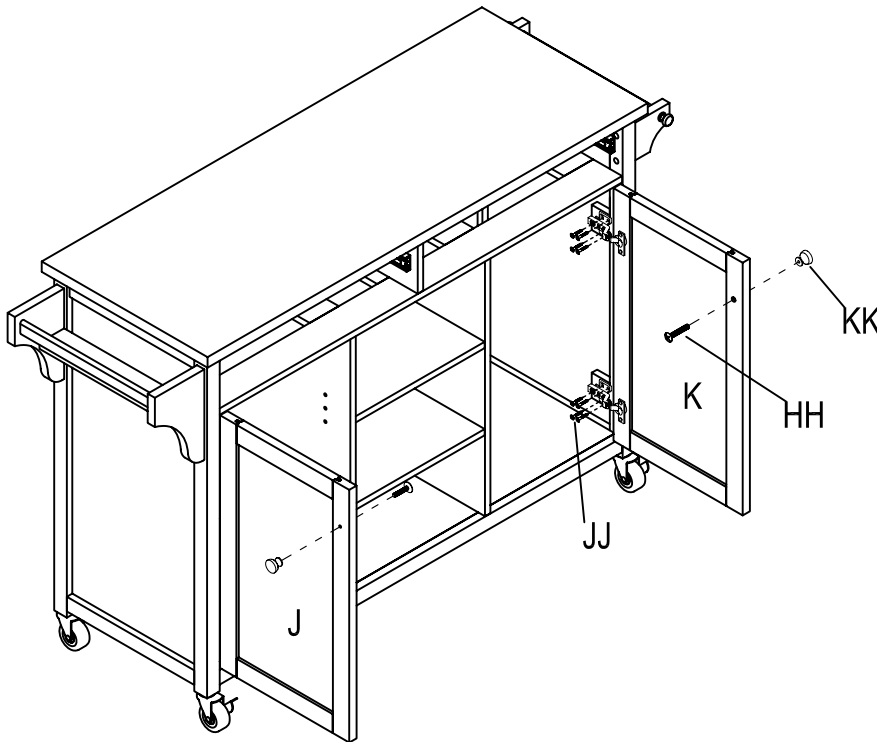
Assembly (continued)

16 Attaching the door

- a) Attach hinge (II) to left door (J) and right door (K) with screw (JJ).



- b) Attach left door (J) and right door (K) to the assembled body with screw (JJ) as shown. Attach knob (KK) to left door (J) and right door (K) with the bolt (HH).



DOOR FITTING

To adjust in width

To adjust in height

To adjust in depth

NOTE: A helper who can hold the door in position makes the door installation easier.

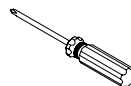
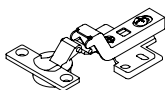
5/8 in. Flat head screw Hinge Knob Handle bolt Small head

(JJ) x 24

(II) x 4

(KK) x 2

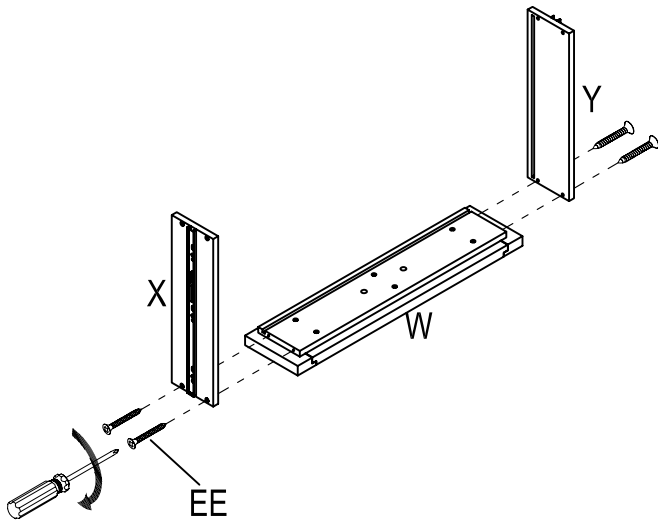
(HH) x 2



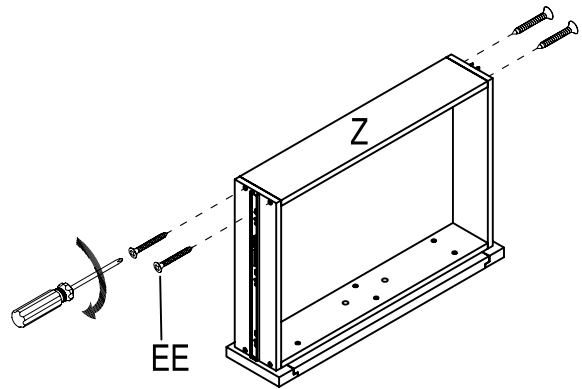
Assembly (continued)

17 Assembling the drawer

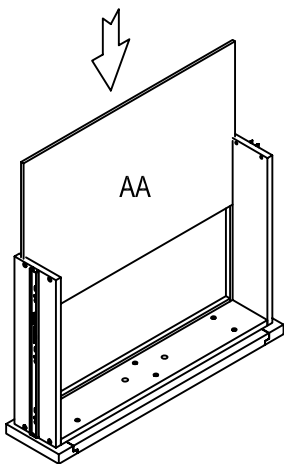
- a) Tighten panels (X) and (Y) to panel (W) with screw (EE).



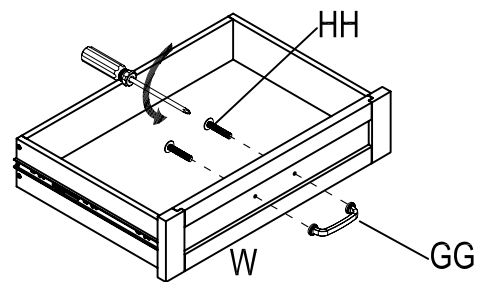
- c) Tighten panel (Z) to the assembled body with screw (EE).



- b) Slide panel (AA) into the grooves on panels (X) and (Y).



- d) Tighten handle (GG) to panel (W) with bolt (HH).



1 in. Flat head screw

Handle

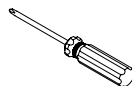
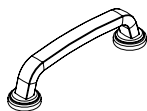
Handle bolt

Small head

(EE) x 16

(GG) x 2

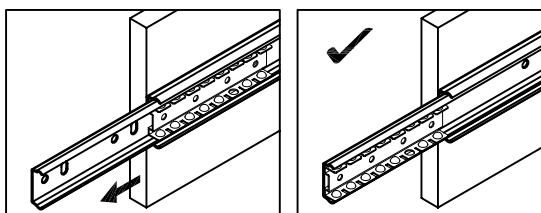
(HH) x 4



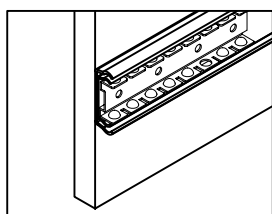
Assembly (continued)

18 Finalizing the assembly

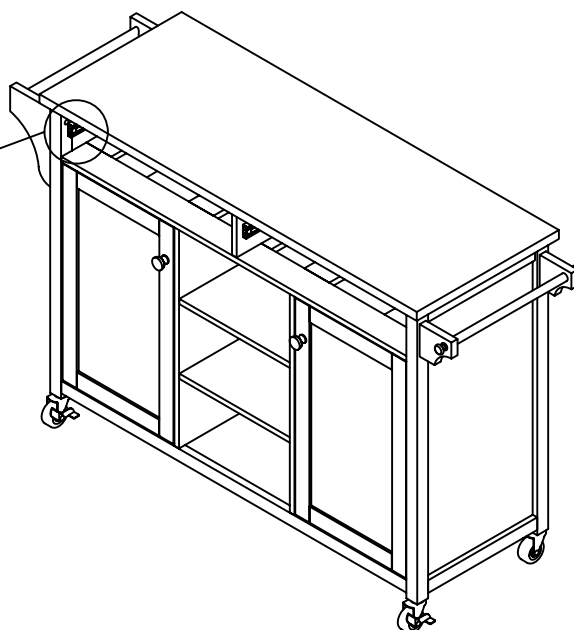
- Insert the drawers into the assembled body as shown.



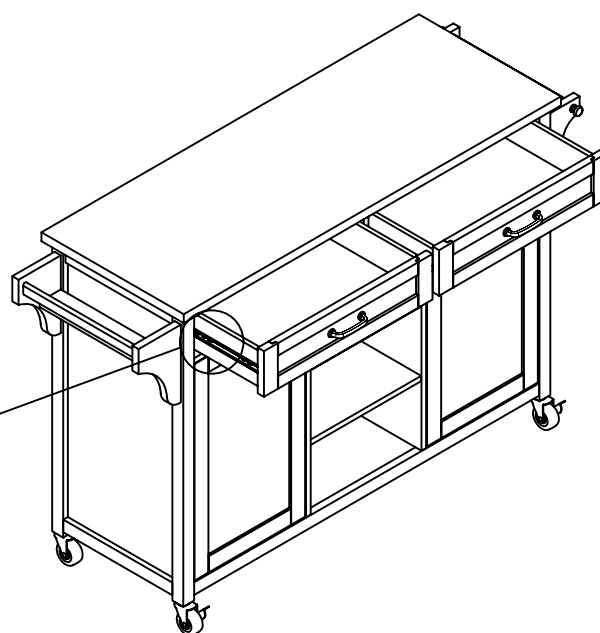
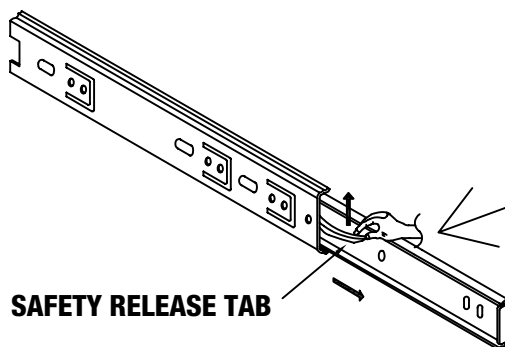
1. Pull out slide. Slide bearings forward.



2. Push slide back inside.
Repeat for every slide!



NOTE: Make sure the slide piece is at the front end of the glide when installing the drawer into the body.



NOTE: When removing the drawer, tip-up the safety release tab to remove the drawer from the body.

HOME
DECORATORS
COLLECTION®

Questions, problems, missing parts?
Before returning to the store, call Home Decorators Collection Customer Service.
8 a.m. – 7 p.m., EST, Monday – Friday, 9 a.m. – 6 p.m., EST, Saturday

1-800-998-7021

[HOMEDEPOT.COM/HOMEDECORATORS](https://www.homedepot.com/homedecorators)

Retain this manual for future use.