

ESTELLE ACRYLIC SLIPPER TUB

Cat. No.
ATS60



L: 60"
W: 30"
H: 21" (from floor) short end
31" (from floor) tall end

Depth to Overflow: 12 1/2"

**The following is recommended for
ATS60 slipper tubs:**

- Faucets: part #4602, 7393 or 7410
- Use with Freestanding Bath Supplies:
part #4502-PL
- Leg tub drain: part #5599

Gallon Capacity: 33
Shipping Weight: 120 lbs.
Empty Weight: 58 lbs.
Filled Weight: 376 lbs.

All ATS60 tubs have no faucet holes.

Features:

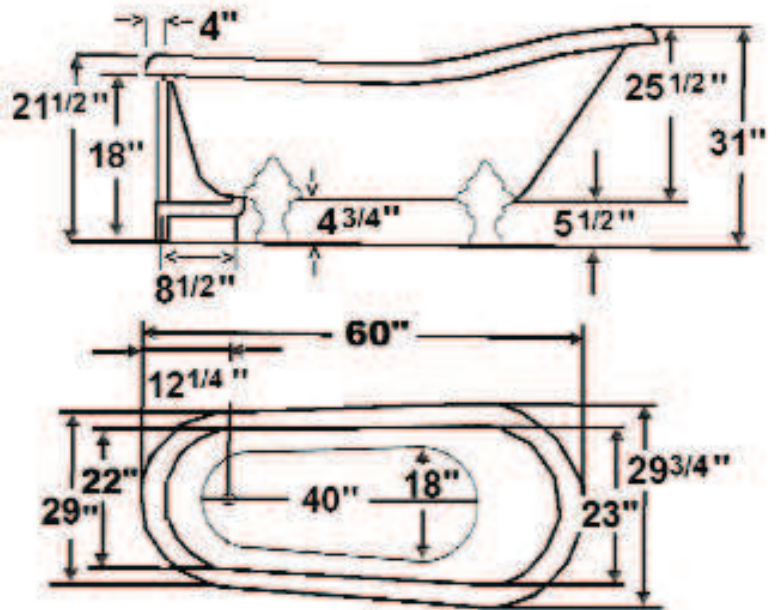
- ▶ Inside finish is either white or bisque to match outside color
- ▶ Ball and Claw Feet available in 8 finishes
- ▶ Outside is textured fiberglass reinforced polyester coated with two-part epoxy
- ▶ Feet are attached and leveled before shipment
- ▶ Tub is thoroughly inspected before shipment

Tub Colors:

WH White
BQ Bisque

Foot Finishes:

BP Polished Brass	PN Polished Nickel
CP Polished Chrome	BQ Bisque
BN Brushed Nickel	BL Black
ORB Oil Rubbed Bronze	WH White



Dimensions of fixture are nominal and specifications subject to change without notice.