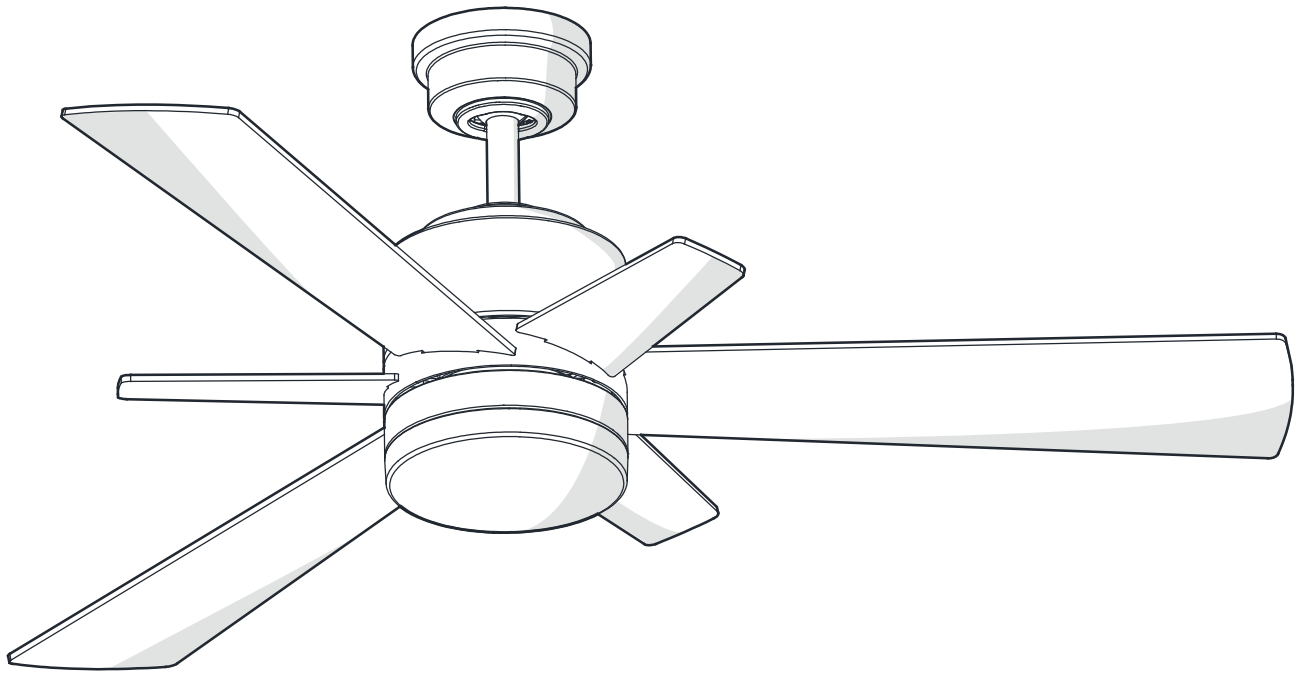


USE AND CARE GUIDE

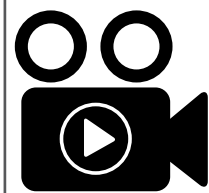
HEXTON 52-INCH CEILING FAN



Questions, problems, missing parts? Before returning to the store,
call Home Decorators Collection Customer Service
8 a.m. - 7 p.m., EST, Monday-Friday, 9 a.m. - 6 p.m., EST, Saturday.

1-800-986-3460

HOMEDEPOT.COM/HOMEDECORATORS



To view an instructional video on how to install this product:

1. Go to www.homedepot.com and enter either the Item or Model number, found in the top right corner of the cover of this instruction manual, in the search field.
2. Click on your product from the list of search results and click on the video link in the "Product Overview" section.

THANK YOU

We appreciate the trust and confidence you have placed in Home Decorators Collection through the purchase of this ceiling fan. We strive to continually create quality products designed to enhance your home. Visit us online to see our full line of products available for your home improvement needs. Thank you for choosing Home Decorators Collection!

Table of Contents

Table of Contents	2	Assembly	7
Safety Information	2	Operation	13
Warranty	3	Care and Cleaning	14
Pre-Installation	3	Troubleshooting	14
Installation	6		

Safety Information

READ AND SAVE THESE INSTRUCTIONS.

1. To reduce the risk of electric shock, ensure the electricity has been turned off at the circuit breaker or fuse box before you begin.
2. All wiring must be in accordance with the National Electrical Code ANSI/NFPA 70 and local electrical codes. Electrical installation should be performed by a qualified licensed electrician.
3. The outlet box and support structure must be securely mounted and capable of reliably supporting 35 lbs. (15.9 kg). Use only UL Listed outlet boxes marked "Acceptable for Fan Support of 35 lbs. (15.9 kg) or less".
4. The fan must be mounted with a minimum of 7 ft (2.1 m) clearance from the trailing edge of the blades to the floor.
5. Do not operate the reversing switch while the fan blades are in motion. You must turn the fan off and stop the blades before you reverse the blade direction.
6. Do not place objects in the path of the blades.
7. To avoid personal injury or damage to the fan and other items, use caution when working around or cleaning the fan.
8. Electrical diagrams are for reference only. Light kits that are not packed with the fan must be UL-listed and marked suitable for use with the model fan you are installing. Switches must be UL General Use Switches. Refer to the instructions packaged with the light kits and switches for proper assembly.
9. After making electrical connections, spliced conductors should be turned upward and pushed carefully up into the outlet box. The wires should be spread apart with the grounded conductor and the equipment-grounding conductor on one side of the outlet box.
10. All setscrews must be checked and retightened where necessary before installation.



WARNING: To reduce the risk of personal injury, do not bend the blade brackets (also referred to as flanges) during assembly or after installation. Do not insert objects in the path of the blades.



WARNING: Suitable for use with solid-state speed controls.



WARNING: To avoid possible electrical shock, turn the electricity off at the main fuse box before wiring. If you feel you do not have enough electrical wiring knowledge or experience, contact a licensed electrician.



WARNING: Electrical diagrams are for reference only. Optional use of any light kit shall be UL-listed and marked suitable for use with this fan.



WARNING: To reduce the risk of fire or electric shock, "this fan should only be used with fan speed control part no. MR140A manufactured by Satellite Industrial Co., LTD" or control part no. AP-8RDL manufactured by Dawnsun.



WARNING: To reduce the risk of electric shock, this fan must be installed with an isolating wall switch.



CAUTION: To reduce the risk of personal injury, use only the screws provided with the outlet box.



CAUTION: Changes or modifications not expressly approved by the party responsible for compliance could void the user's authority to operate the equipment.



CAUTION: Do NOT use this fan with a dimmer switch or wall control. Using a dimmer switch or wall control will damage the fan.

Warranty

The supplier warrants the fan motor to be free from defects in workmanship and material present at time of shipment from the factory for a lifetime after the date of purchase by the original purchaser. The supplier also warrants that all other fan parts, excluding any glass or acrylic blades, to be free from defects in workmanship and material at the time of shipment from the factory for a period of two years after the date of purchase by the original purchaser. We agree to correct such defects without charge or at our option replace with a comparable or superior model if the product is returned. To obtain warranty service, you must present a copy of the receipt as proof of purchase. All costs of removing and reinstalling the product are your responsibility. Damage to any part such as by accident, misuse, improper installation, or by affixing any accessories, is not covered by this warranty. Because of varying climatic conditions this warranty does not cover any changes in brass finish, including rusting, pitting, corroding, tarnishing, or peeling. Brass finishes of this type give their longest useful life when protected from varying weather conditions. A certain amount of "wobble" is normal and should not be considered a defect. Servicing performed by unauthorized persons shall render the warranty invalid. There is no other express warranty. Home Decorators Collection hereby disclaims any and all warranties, including but not limited to those of merchantability and fitness for a particular purpose to the extent permitted by law. The duration of any implied warranty which cannot be disclaimed is limited to the time period as specified in the express warranty. Some states do not allow a limitation on how long an implied warranty lasts, so the above limitation may not apply to you. The retailer shall not be liable for incidental, consequential, or special damages arising out of or in connection with product use or performance except as may otherwise be accorded by law. Some states do not allow the exclusion of incidental or consequential damages, so the above exclusion or limitation may not apply to you. This warranty gives specific legal rights, and you may also have other rights which vary from state to state. This warranty supersedes all prior warranties. Shipping costs for any return of product as part of a claim on the warranty must be paid by the customer.

Contact the Customer Service Team at 1-800-986-3460 or visit www.HomeDepot.com/homedecorators.

Pre-Installation

SPECIFICATIONS

Size	Speed	Volts	Amps	Watts	RPM	CFM	Net Weight	Gross Weight	Cube Feet
52 in.	Low	120	0.24	14	80	2023	16.31 lbs. (7.4 kg)	19.18 lbs. (8.7kg)	1.63 cu.ft.
	Medium		0.34	28	120	3087			
	High		0.49	58	175	4800			



NOTE: These are approximate measures. They do not include the Amps and Wattage used by the light kit.



TOOLS REQUIRED



Phillips screwdriver



Flat blade screwdriver



Adjustable wrench



Electrical tape



Wire cutter



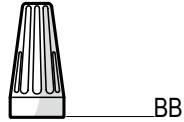
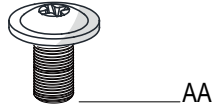
Step ladder

Pre-Installation (continued)

HARDWARE INCLUDED



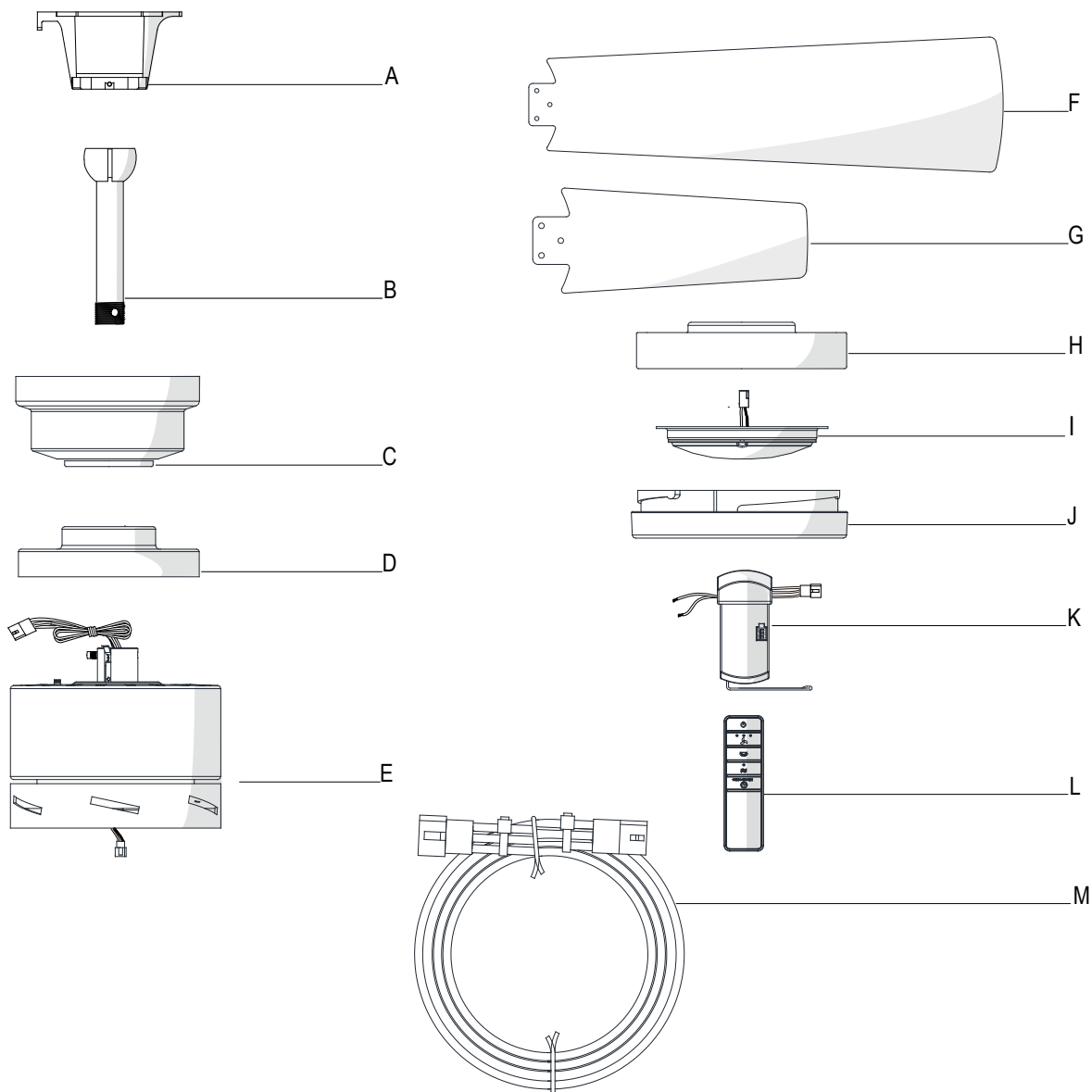
NOTE: Hardware not shown to actual size.



Part	Description	Quantity
AA	Blade attachment screws	16
BB	Plastic wire connector	3

Pre-Installation (continued)

PACKAGE CONTENTS



Part	Description	Quantity
A	Slide-on mounting bracket (inside canopy)	1
B	Ball/downrod assembly	1
C	Canopy	1
D	Decorative motor collar cover	1
E	Fan-motor assembly	1

Part	Description	Quantity
F	Long blade	3
G	Short blade	3
H	Light kit pan	1
I	Light kit fitter assembly	1
J	Shatter resistant bowl	1
K	Receiver	1
L	Remote control (battery included)	1
M	Extension lead wire	1



IMPORTANT: This product and/or components are governed by one or more of the following U.S. Patents: 5,947,436; 5,988,580; 6,010,110; 6,046,416, 6,210,117 and other patents pending.

Installation

MOUNTING OPTIONS



WARNING: To reduce the risk of fire, electric shock, or personal injury, mount the fan to an outlet box marked "Acceptable for fan support of 35 lbs. (15.9kg) or less" and use the screws provided with the outlet box. An outlet box commonly used for the support of lighting fixtures may not be acceptable for fan support and may need to be replaced. If in doubt, consult a qualified electrician.

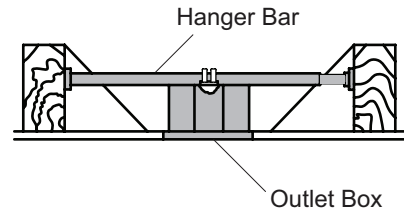
If your ceiling fan does not have an existing UL-listed mounting box, then install one using the following instructions:

- Disconnect the power by removing the fuses or turning off the circuit breakers.
- Secure the outlet box directly to the building structure. Use the appropriate fasteners and materials. The outlet box and its bracing must be able to fully support the weight of the moving fan (at least 35 lbs.). Do not use a plastic outlet box.

The illustrations below show three different ways to mount the outlet box.



NOTE: You may need a longer downrod to maintain proper blade clearance when installing on a steep, sloped ceiling. The maximum angle allowable is 30° away from horizontal.



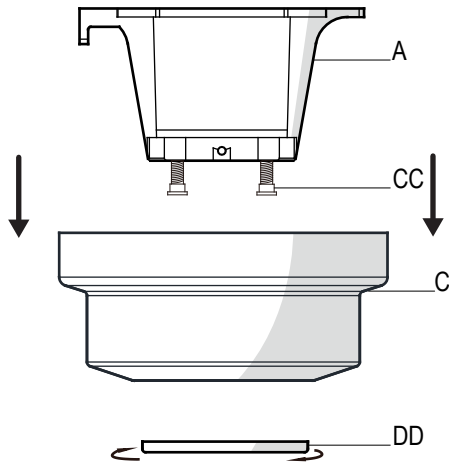
If the canopy (C) touches the ball/downrod assembly (B), then remove the decorative canopy bottom cover and turn the canopy (C) 180° before attaching the canopy (C) to the mounting plate.

To hang your fan where there is an existing fixture but no ceiling joist, you may need an installation hanger bar as shown above (available at any Home Depot store).

Assembly - Standard Ceiling Mount

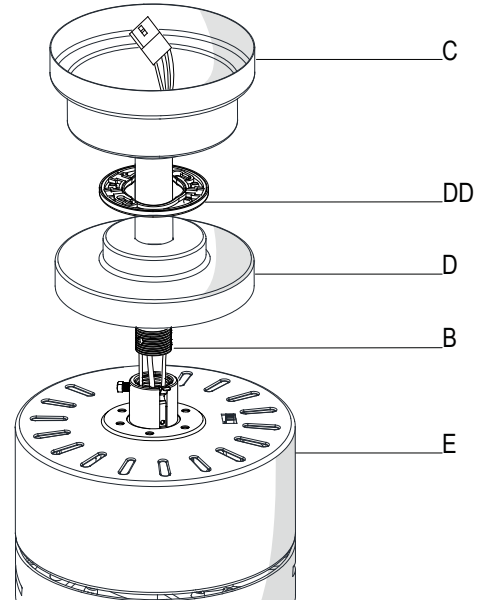
1 Preparation for standard mounting

- Remove the canopy bottom cover (DD) from the canopy (C) by turning the bottom cover counterclockwise until it unlocks.
- Loosen the two canopy screws (CC) located in the bottom of the mounting bracket (A), and turn the canopy counterclockwise to remove the mounting bracket (A) from canopy (C).



2 Routing the wires

- Route the wires exiting the top of the fan motor assembly (E) through the decorative motor collar cover (D) and then the center of the canopy bottom cover (DD).
- Make sure the opening of canopy (C) is on top and insert the ball/downrod (B) through the canopy (C).
- Route the wires exiting the top of the fan motor assembly (E) through the downrod as shown.



3 Assembling the fan

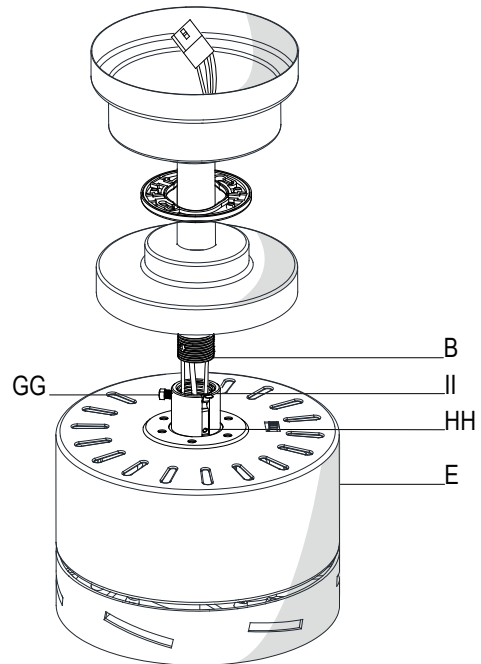


CAUTION: To ensure wobble-free operation and to avoid damage to the fan, the downrod (B) and the setscrew (GG) must be completely tightened.



NOTE: This fan is equipped with a safety tab (HH). Should the setscrew (GG) ever become loose while the fan is running in reverse, the safety tab (HH) will engage and stop the fan from falling.

- Loosen, but do not remove, the setscrew (GG) on the collar (II) on top of the fan-motor assembly (E).
- Install the downrod (B) by inserting it into the motor collar (II), and turning it clockwise until it is tight.
- Re-tighten the setscrew (GG) on the collar (II) on top of the fan motor assembly (E).



Assembly - Hanging the Fan

1 Attaching the fan to the electrical box

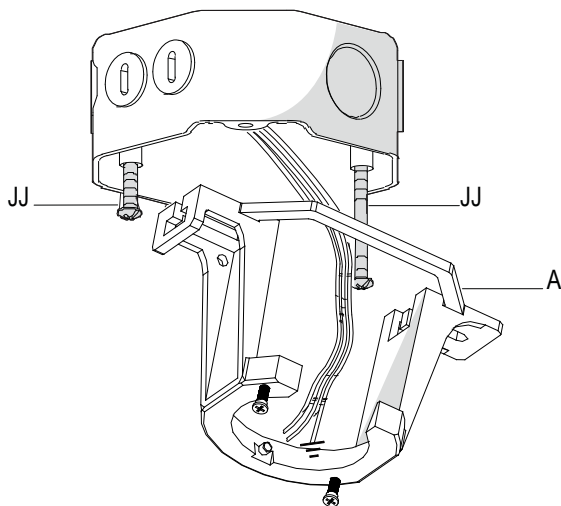


WARNING: To reduce the risk of fire, electric shock, or other personal injury, mount the fan to an outlet box or supporting system marked "Acceptable for fan support of 35 lbs. (15.9kg) or less" and use the mounting screws provided with the outlet box.



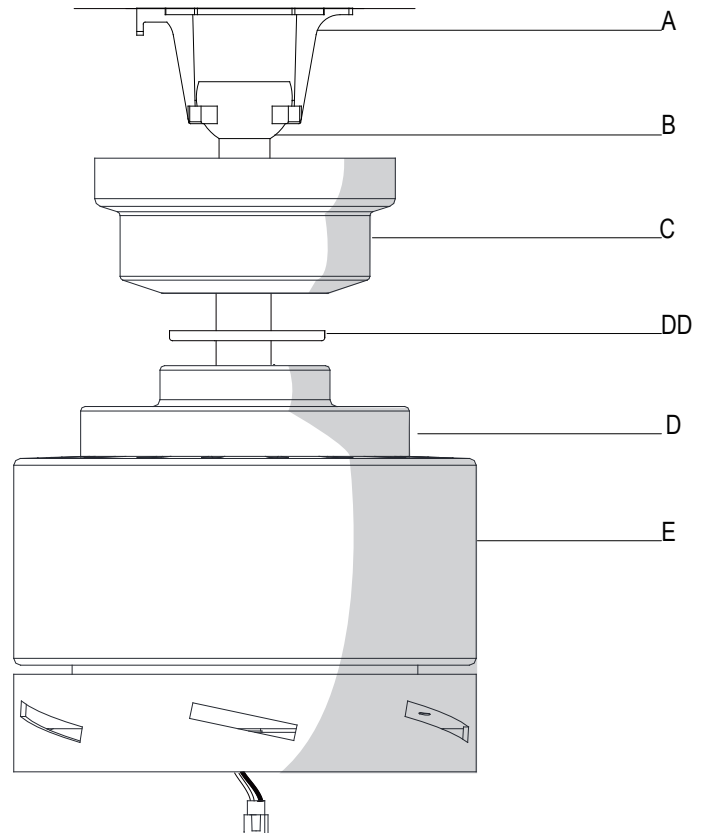
NOTE: The mounting bracket (A) is designed to slide into place on an outlet box with the outlet box screws (JJ).

- Pass the 120-Volt supply wires through the center hole in the slide-on mounting bracket (A).
- Install the ceiling slide-on mounting bracket (A) on the outlet box by sliding the slide-on mounting bracket (A) over the two screws (JJ) provided with the outlet box. If necessary, use leveling washers (not included) between the slide-on mounting bracket (A) and the outlet box. Note that the flat side of the slide-on mounting bracket (A) is toward the outlet box.
- Securely tighten the two mounting screws (JJ).



2 Hanging the fan

- Carefully lift the fan-motor assembly (E) up to the slide-on mounting bracket (A).
- Seat the hanger ball portion of the ball/downrod assembly (B) in the mounting bracket socket. Ensure that the tab on the slide-on mounting bracket (A) socket is properly seated in the groove in the hanger ball.



Assembly - Hanging the Fan (continued)

3 Setting the code on the remote control and receiver



NOTE: The frequencies on your receiver and hand unit have been preset at the factory. Before installing the receiver, make sure the dip switches on the receiver and hand unit are set to the same frequency. The dip switches on the hand unit are located inside the battery compartment.

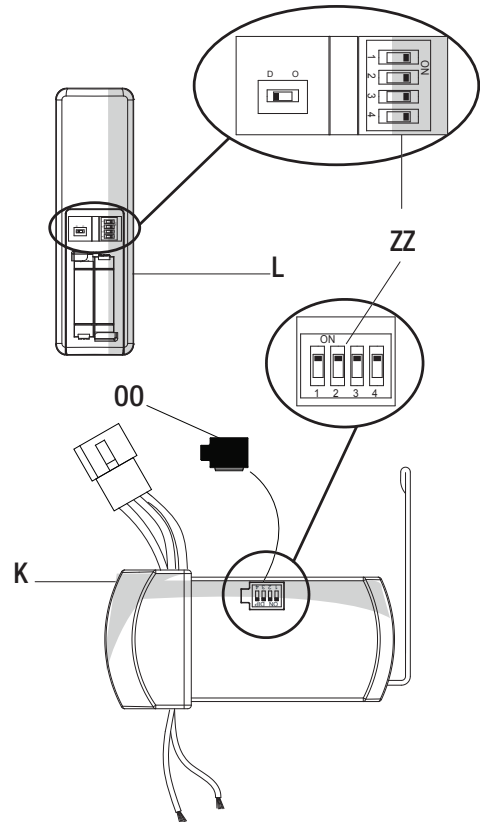


NOTE: The switch marked "O/D" controls the dimming function of the lights. If using non-dimmable bulbs, use a ballpoint pen or small screwdriver to set the switch to "O" to disable the dimming function. If using dimmable bulbs, set the switch to "D" to enable the dimming function.



NOTE: The battery will weaken with age and should be replaced before leaking takes place as this will damage the hand unit. Dispose of used battery properly and keep the battery out of the reach of children.

- ❑ Remove the remote control (L) battery cover by pressing firmly on the arrow and sliding the cover off.
- ❑ Slide the dip switches (ZZ) to your choice of either up or down. The factory setting is up.
- ❑ Slide the dip switches (ZZ) on the receiver (K) to the same position as set on the remote control (L).
- ❑ Install two 1.5V AAA batteries (included).
- ❑ Replace the battery cover on the remote control (L).
- ❑ Insert the silicone rubber stopper (00) into the hole on the receiver (K) to cover the dip switches.



4 Installing the receiver



WARNING: To reduce the risk of fire or electric shock, remember to disconnect power. The electrical wiring must meet all local and national electrical code requirements. The electrical source and fan must be 110/120 volt, 60Hz. Do not use this product in conjunction with any variable wall control. Incorrect wire connection can damage this receiver.

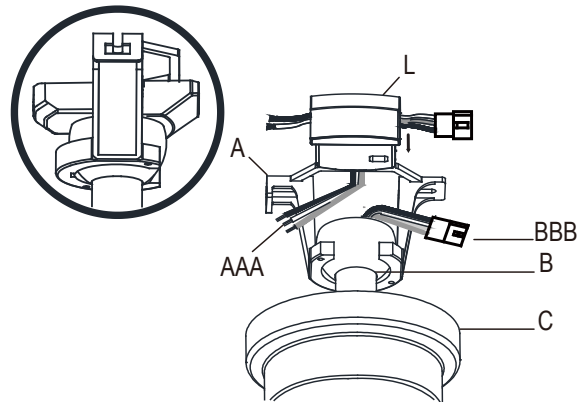


CAUTION: If other fan wires are a different color, have this unit installed by a licensed electrician.



CAUTION: Do not install the receiver in a damp location or immerse in water (For indoor use only). Do not pull on or cut the receiver leads shorter. Do not drop or bump the unit.

- ❑ Position the house supply wires (AAA) to one side of the slide-on mounting bracket (A); position the fan wires (BBB) to the opposite side.
- ❑ Insert the narrow end of the receiver (as shown, flat side towards the ceiling) into the slide-on mounting bracket until it rests on top of the ball/downrod assembly.



Assembly - Hanging the Fan (continued)

5 Wiring the receiver to the household wiring



WARNING: To avoid possible electrical shock, turn the electricity off at the main fuse box before wiring. If you feel you do not have enough electrical wiring knowledge or experience, contact a licensed electrician.

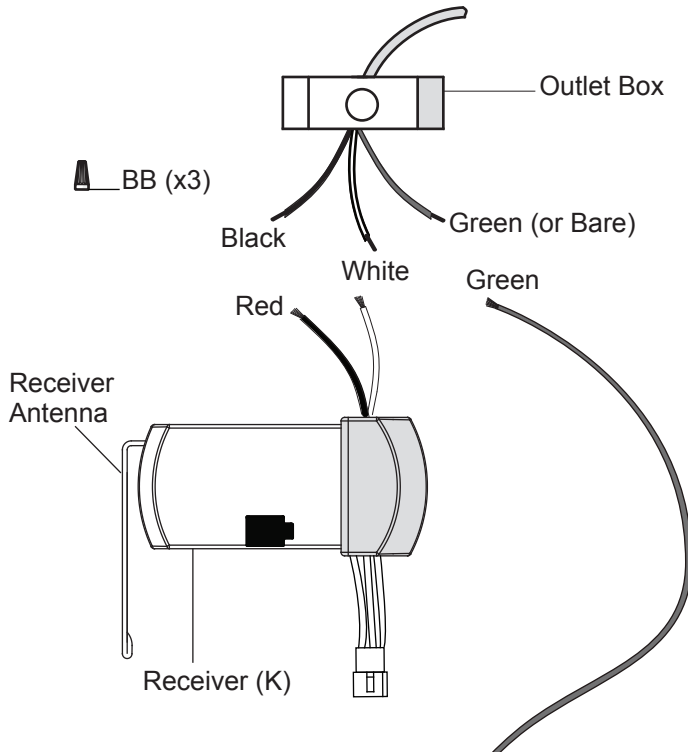


WARNING: Each wire nut supplied with this fan is designed to accept up to one 12-gauge house wire and two wires from the fan. If you have larger than 12-gauge house wiring or more than one house wire to connect to the fan wiring, consult an electrician for the proper size wire nuts to use.



IMPORTANT: Use the wire connecting nuts (BB) supplied with your fan. Secure the connectors with electrical tape and ensure there are no loose strands or connections.

- Spread the wires apart so that the green and white wires are on one side of the outlet box and the black wire is on the other side.
- Connect the green fan wires to the household ground wire (this may be a green or bare wire) using a wire connecting nut (BB).
- Connect the receiver (K) red wire to the household black (hot) wire using a wire connecting nut (BB).
- Connect the receiver (K) white wire to the household white wire (neutral) using a wire connecting nut (BB).
- Secure each wire connecting nut using electrical tape.

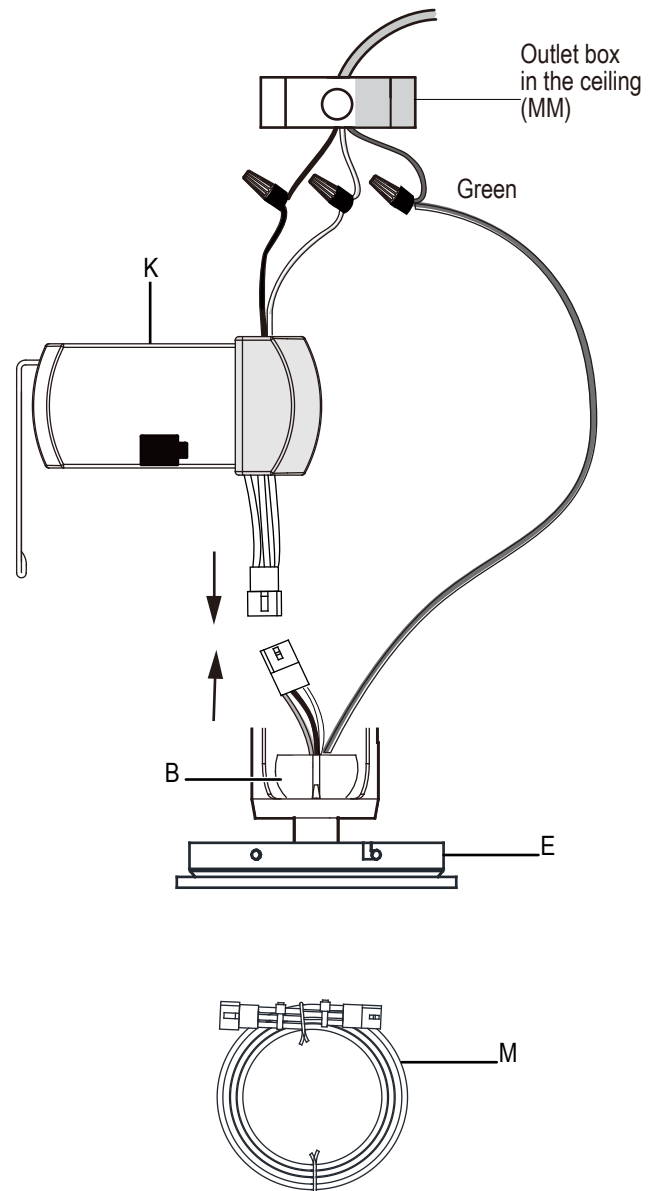


6 Wiring the fan to the receiver



NOTE: The fan comes with 12 in. lead wires for use with the provided 6 in. ball downrod assembly (B), if you wish to use longer downrod, you can use the extension lead wire (42 in.) (L) provided.

- If using the 6 in. ball downrod assembly (B) provided, wire the receiver to the fan wires by connecting the molded adaptor plug from receiver (K) with molded adaptor of the fan motor assembly (E) together.
- If you wish to use longer downrod, you can use the extension lead wire (42 in.) (M) provided by connecting the molded adaptor together.



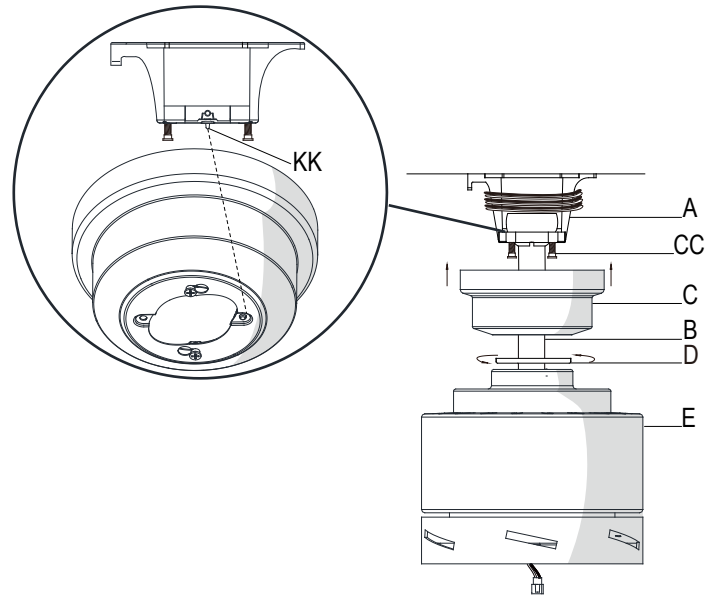
Assembly - Hanging the Fan (continued)

7 Mounting the fan-motor assembly (standard mount)



WARNING: When using the standard ball/downrod mounting, the tab in the ring at the bottom of the mounting bracket must rest in the groove of the hanger ball. Failure to properly seat the tab in the groove could cause damage to the wiring.

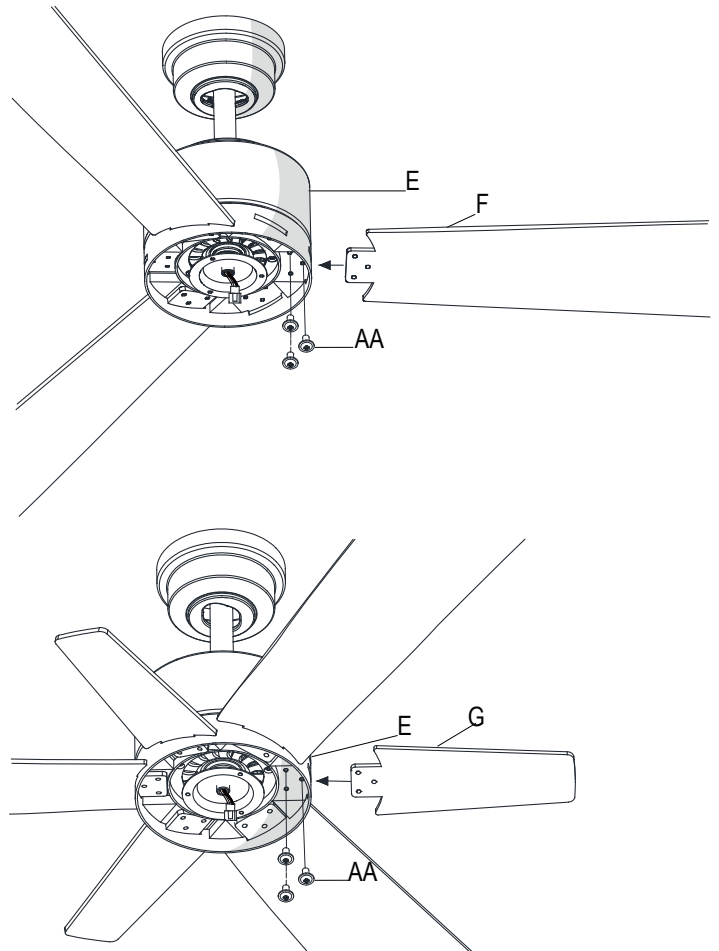
- Align the locking slots of the canopy (C) with the two screws (CC) and alignment post (KK) in the mounting bracket (A).
- Push up the canopy (C) and turn clockwise until the alignment post (KK) engages to the round hole and the screws (CC) engage to the key slots.
- Firmly tighten the two mounting screws (CC).
- Install the decorative bottom cover (DD) by aligning the cover slots with screws in the bottom of the canopy (C). Rotate the bottom cover (DD) clockwise to lock in place.



Assembly - Attaching the Blades

1 Attaching the fan blades

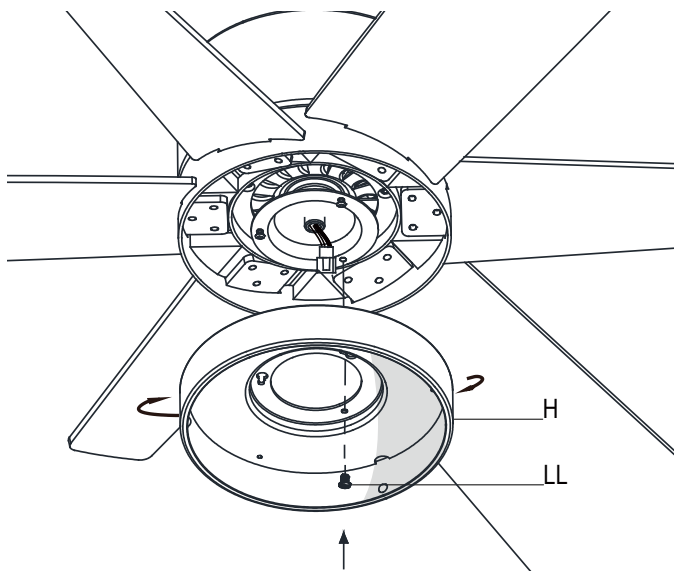
- Attach one of the longer blades (F) to the fan-motor housing (E) by inserting the blade (F) into slots in the side of the fan motor housing (E) and aligning the three screws holes in the blade with the holes in the center flywheel and secure with screws (AA).
- Repeat this step for the two remaining longer blades (F).
- Attach one of the shorter blades (G) to the fan-motor housing (E) by inserting the blade (G) into slots in the side of the fan motor housing (E) and aligning the three screws holes in the blade with the holes in the center flywheel and secure with screws (AA).
- Repeat this step for the two remaining shorter blades (G).
- Make sure all the screws are firmly tightened.



Assembly - Attaching the Light Kit

1 Installing the light kit pan

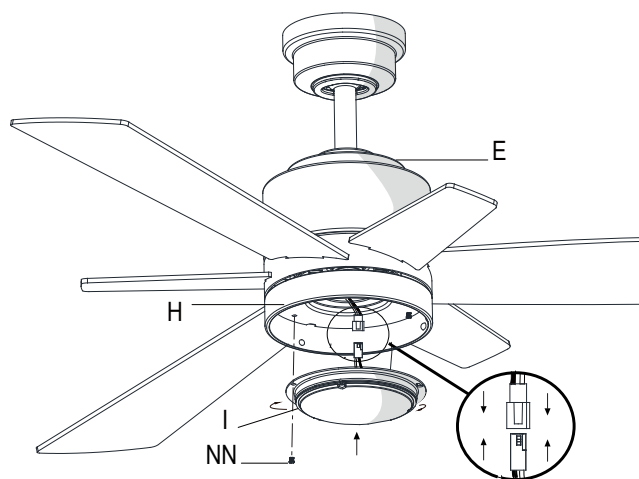
- ❑ Remove one screw (LL) from the black bracket below fan motor assembly (E), and loosen but do not remove the other two screws.
- ❑ Push the light kit pan (H) up to the fan motor assembly (E) so that the two loosened screw heads fit into the keyhole slots. Turn the light kit pan (H) clockwise.
- ❑ Re-install the screw (LL) that was removed in step 1.
- ❑ Make sure all the screws are firmly tightened.



2 Attaching the light kit fitter assembly

CAUTION: To reduce the risk of electric shock, disconnect the electrical supply circuit to the fan before installing the light kit pan.

- ❑ Remove one screw (NN) from the light kit pan (H) and loosen, but do not remove the other two screws.
- ❑ Connect the wires from the light kit fitter assembly (I) to the wires from the fan motor assembly (E) by connecting the molded adaptor plugs together. Carefully tuck all wires and splices into the switch cup.
- ❑ Push the light kit fitter assembly (I) up to the light kit pan (H) so that the two loosened screw heads fit into the keyhole slots. Turn the light kit fitter assembly (I) clockwise to secure.
- ❑ Re-install the screw (NN) that was removed in step 1.
- ❑ Make sure all the screws are firmly tightened.

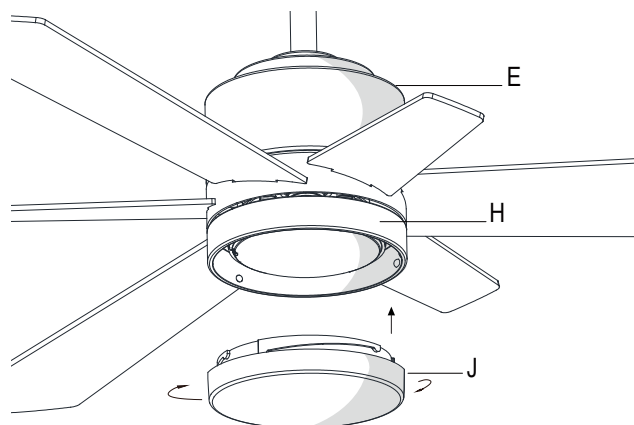


3 Installing the shatter resistant bowl

CAUTION: Make sure the power is off before attaching or removing the shatter resistant bowl.

WARNING: Allow the shatter resistant bowl to cool completely before removing.

- ❑ Place the shatter resistant bowl (J) into the light kit pan (H), aligning the three flat areas on the top flange of the shatter resistant bowl (J) with the three raised dimples in the light kit pan.
- ❑ Turn the shatter resistant bowl (J) clockwise until it stops.



Operating Your Fan and Remote Control

Remote Control - Your fan is equipped with a remote control to operate the speed and lights of your new ceiling fan.

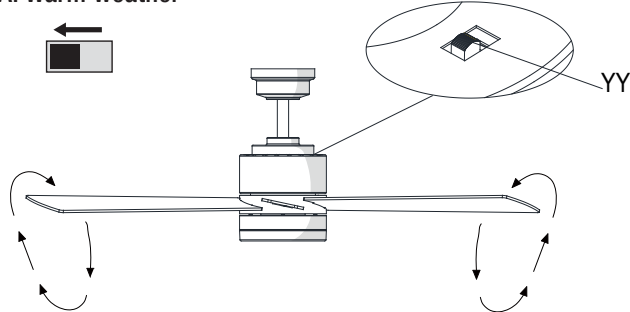
Speed setting for warm or cool weather depends on factors such as the room size, ceiling height, number of fans and so on.

The fan is shipped from the factory with the reversing switch (YY) positioned to circulate air downward. If airflow is desired in the opposite direction, turn your fan off and wait for the blades to stop turning, then slide the reversing switch (located on the top of the motor housing) to the opposite position, and turn the fan on again. The fan blades will turn in the opposite direction and reverse airflow.

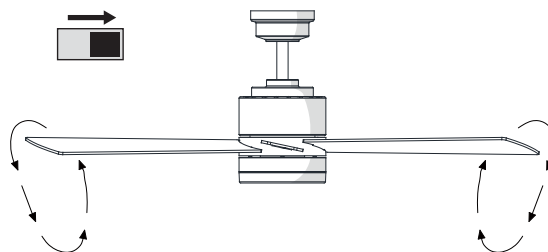
Warm weather - (Forward) A downward airflow creates a cooling effect. This allows you to set your air conditioner on a higher setting without affecting your comfort.

Cool weather - (Reverse) An upward airflow moves warm air off of the ceiling. This allows you to set your heating unit on a lower setting without affecting your comfort.



A. Warm weather









B. Cool weather









Operating Your Fan and Remote Control

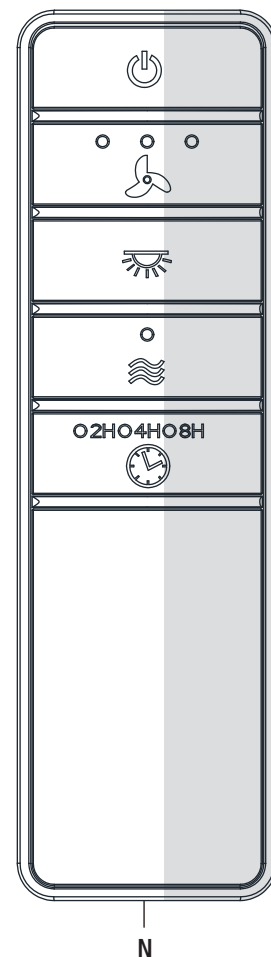
1. **Power ON/OFF** - Press and release the  button to turn the fan and light on or off.
 - Press and hold the  button for 5 seconds to use the “walk away time delay”; this will activate the light for 30 seconds (the light will be activated at 50% brightness).

2. **Fan Speed** - LEDs on the fan speed button will illuminate to the corresponding speed.
 -  - Press and release 1 time - turns the fan on high speed.
 -  - Press and release 2 times - turns the fan on medium speed.
 -  - Press and release 3 times - turns the fan on low speed.
 -  - Press and release 4 times - turns the fan off.

3. **Light ON/OFF**
 - Press and release the  button to turn the light on or off.
 - Press and hold the  button to activate the dimmer function (as long as you have NOT previously set O/D dip switch in your remote to the “ON” position).

4. **Comfort Breeze™**
 - Press and release  button to enable Comfort Breeze™; this will change your fan speed randomly, simulating a relaxing breeze. To cancel this feature press  or .

5. **Timer**
 -  - While the fan is on press 1 time - turns on a 2 hour run timer.
 -  - While the fan is on press 2 times - turns on a 4 hour run timer.
 -  - While the fan is on press 3 times - turns on an 8 hour run timer.



Care and Cleaning



WARNING: Make sure the power is off before cleaning your fan.

- Because of the fan's natural movement, some connections may become loose. Check the support connections, brackets, and blade attachments twice a year. Make sure they are secure. It is not necessary to remove the fan from the ceiling.
- Clean your fan periodically to help maintain its new appearance over the years. Do not use water when cleaning, as this could damage the motor, or the wood, or possibly cause an electrical shock. Use only a soft brush or lint-free cloth to avoid scratching the finish. The plating is sealed with a lacquer to minimize discoloration or tarnishing.
- You can apply a light coat of furniture polish to the wood for additional protection and enhanced beauty. Cover small scratches with a light application of shoe polish.
- You do not need to oil your fan. The motor has permanently-lubricated sealed ball bearings.

Troubleshooting

Problem	Solution
The fan will not start.	<ul style="list-style-type: none">□ Check the main and branch circuit fuses or breakers.□ Check to make sure the wall switch is in the on position if applicable.□ Check the line wire connections to the fan and switch wire connections in the switch housing.□ Check the battery in the transmitter.□ Ensure you are in the normal range of 10-20 feet.□ Ensure the dip switch settings are the same on the transmitter and receiver.□ Remember to turn off the power supply before checking the dip switches settings.
The fan is noisy.	<ul style="list-style-type: none">□ Ensure all motor housing screws are snug.□ Ensure the screws that attach the fan blade bracket to the motor hub are tight.□ Ensure the wire nut connections are not rattling against each other or the interior wall of the switch housing.□ Allow a 24-hour "breaking in" period. Most noises associated with a new fan disappear during this time.□ If you are using the ceiling fan light kit, ensure the screws securing the glassware are tight. Check that the light bulbs are also secure.□ Ensure the canopy is a short distance from the ceiling. It should not touch the ceiling.□ Ensure your outlet box is secure and rubber isolator pads were used between the mounting plate and outlet box.
The fan wobbles.	<ul style="list-style-type: none">□ Check that all blade and blade arm screws are secure.□ Most fan wobble problems are caused when blade levels are unequal. Check this level by selecting a point on the ceiling above the tip of one of the blades. Measure from a point on the center of each blade to the point on the ceiling. Rotate the fan until the next blade is positioned for measurement. Repeat for each blade. Any measurement deviation should be within 1/8". Run the fan for ten minutes. If the fan continues to wobble please contact Customer Service and a balancing kit will be sent to you at no charge.

This equipment has been tested and found to comply with the limits for a Class B digital device, pursuant to Part 15 of the FCC Rules. These limits are designed to provide reasonable protection against harmful interference in a residential installation. This equipment generates, uses and can radiate radio frequency energy and, if not installed and used in accordance with the instructions, may cause harmful interference to radio communications. However, there is no guarantee that interference will not occur in a particular installation. If this equipment does cause harmful interference to radio or television reception, which can be determined by turning the equipment off and on, the user is encouraged to try to correct the interference by one or more of the following measures:

--Reorient or relocate the receiving antenna.

--Increase the separation between the equipment and receiver.

--Connect the equipment into an outlet on a circuit different from that to which the receiver is connected.

--Consult the dealer or an experienced radio/TV technician for help.

CAUTION:

Any changes or modifications not expressly approved by the grantee of this device could void the user's authority to operate the equipment.

This device complies with Part 15 of the FCC Rules. Operation is subject to the following two conditions: (1) This device may not cause harmful interference, and (2) this device must accept any interference received, including interference that may cause undesired operation.

HOME DECORATORS COLLECTION

Questions, problems, missing parts? Before returning to the store,
call Home Decorators Collection Customer Service
8 a.m. - 7 p.m., EST, Monday-Friday, 9 a.m. - 6 p.m., EST, Saturday.

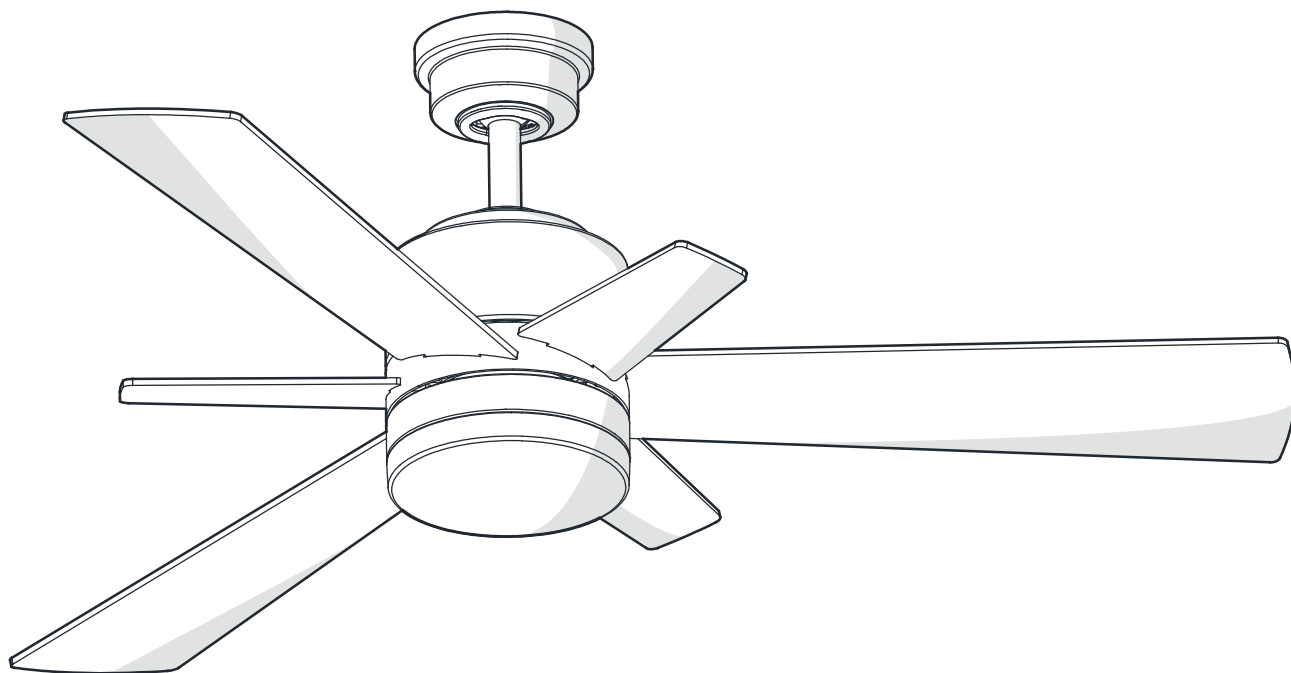
1-800-986-3460

HOMEDEPOT.COM/HOMEDECORATORS

Retain this manual for future use.

GUÍA DE USO Y MANTENIMIENTO

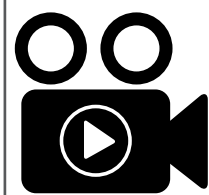
VENTILADOR DE TECHO HEXTON DE 1.3 M



¿Preguntas, problemas o piezas faltantes? Antes de devolver a la tienda, llama al Servicio al Cliente de Home Decorators Collection, de lunes a viernes, entre 8:00 a.m. y 7:00 p.m. (ESTE), y los sábados de 9:00 a.m. a 6:00 p.m. (ESTE).

1-800-986-3460

HOMEDEPOT.COM/HOMEDECORATORS



Para ver un video instructivo sobre cómo instalar este producto:

1. Visita www.homedepot.com e ingresa en el campo de búsqueda el número de modelo o artículo, que aparece en la esquina superior derecha de la portada de este manual de instrucciones.
2. Haz clic sobre tu producto en la lista de resultados de la búsqueda y sobre el enlace de video en la sección "Información general del producto".

GRACIAS POR TU COMPRA

Apreciamos la confianza que has depositado en Home Decorators Collection al comprar este ventilador de techo. Nos esforzamos en crear continuamente productos de calidad diseñados para mejorar tu hogar. Visítanos por Internet para ver nuestra línea completa de productos disponibles a fin de satisfacer tus necesidades de mejoras del hogar. ¡Gracias por elegir Home Decorators Collection!

Tabla de contenido

Tabla de contenido	2	Ensamblaje.....	7
Información de seguridad.....	2	Funcionamiento	13
Garantía	3	Mantenimiento y limpieza.....	14
Preinstalación	3	Solución de problemas	14
Instalación.....	6		

Información de seguridad

LEE Y GUARDA ESTAS INSTRUCCIONES.

1. Para disminuir el riesgo de descarga eléctrica, asegúrate de cortar la electricidad del cortacircuitos o la caja de fusibles antes de comenzar.
2. Todo el cableado debe cumplir con el Código Nacional de Electricidad ANSI/NFPA 70 y con los códigos locales correspondientes. La instalación eléctrica debe hacerse por un electricista con licencia y calificado.
3. La caja eléctrica y estructura de soporte tienen que montarse de forma segura para poder sostener con confianza 35 lb (15.9 kg). Usar solo cajas eléctricas aprobadas por UL y marcadas como “apropiadas para sostener ventiladores de 35 lb (15.9 kg) o menos”.
4. El ventilador tiene que montarse con separación mínima de 2.1 m entre el borde trasero de las aspas y el piso.
5. No uses el interruptor de reversa mientras las aspas del ventilador estén en movimiento. Tienes que apagar el ventilador y esperar a que se detengan las aspas antes de ponerlas a girar en sentido contrario.
6. No coloques objetos en la trayectoria de las aspas.
7. Para evitar lesiones físicas o daños al ventilador y otros artículos, ten cuidado al limpiarlo o al trabajar cerca de él.
8. Los diagramas eléctricos son sólo para referencia. Los kits de luces no empaquetados con el ventilador tienen que estar aprobados por UL y marcados como apropiados para usar con el modelo de ventilador que estás instalando. Los interruptores tienen que estar clasificados de uso general por UL. Para ensamblar bien, consulta las instrucciones adjuntas a los kits de luces e interruptores.
9. Después de concluir las conexiones eléctricas, debes voltear los conductores empalmados hacia arriba y meterlos con cuidado en la caja eléctrica. Los cables deben estar separados con el cable a tierra y el conductor a tierra del equipo a un lado de la caja eléctrica.
10. Antes de la instalación, todos los tornillos de fijación deben comprobarse y reajustarse donde sea necesario.



ADVERTENCIA: Para reducir el riesgo de lesiones personales, no dobles los soportes de las aspas (también llamados “bridas”) durante el ensamblaje ni después de la instalación. No coloques objetos en la trayectoria de las aspas.



ADVERTENCIA: Puede usarse con un dispositivo de estado sólido para control de velocidad.



ADVERTENCIA: Para evitar posible descarga eléctrica, corta la energía eléctrica en la caja principal de fusibles antes de cablear. Si crees que no tienes suficiente experiencia o conocimientos sobre cableado eléctrico, contrata a un electricista con licencia.



ADVERTENCIA: Los diagramas eléctricos son sólo para referencia. Cualquier juego de luces opcional deberá estar aprobado por UL y marcado como adecuado para usar con este ventilador.



ADVERTENCIA: Para disminuir el riesgo de incendio o descarga eléctrica, “este ventilador sólo debe usar un control de velocidad con número de pieza MR140A, fabricado por Satellite Industrial Co., Ltd”, o AP-8RDL, fabricado por Dawnsun.



ADVERTENCIA: A fin de reducir el riesgo de descargas eléctricas, este ventilador tiene que instalarse con un interruptor de aislamiento para montaje en pared.



PRECAUCIÓN: Para reducir el riesgo de lesiones personales, usa solamente los tornillos incluidos con la caja eléctrica.



PRECAUCIÓN: Los cambios o modificaciones sin previa aprobación expresa de la parte responsable de su cumplimiento podrían anular el derecho del usuario a operar el equipo.



PRECAUCIÓN: NO usar este ventilador con control de pared o interruptor con regulador de intensidad. Usar un interruptor o control de pared con regulador de intensidad dañará este ventilador.

Garantía

El proveedor garantiza de por vida, a partir de la fecha de adquisición por el comprador original, que el motor del ventilador no presenta defectos de fabricación ni de materiales al momento del envío desde la fábrica. El proveedor también garantiza, por dos años a partir de la fecha de adquisición por el comprador original, que todas las demás piezas del ventilador, sin incluir las aspas de vidrio o acrílicas, no presentarán ningún defecto de fabricación ni de material al momento del envío desde la fábrica. Si el producto es devuelto, aceptamos reparar tales defectos sin cargo alguno o, a nuestra discreción, reemplazarlo por un modelo similar o superior. Para obtener servicio de garantía tienes que presentar una copia del recibo como comprobante de compra. Todos los costos de retiro y reinstalación del producto correrán por tu cuenta. Los daños a cualquier pieza como resultado de accidentes, instalación o uso inadecuado, o montaje de cualquier accesorio, no están cubiertos por esta garantía. Puesto que las condiciones climáticas pueden variar, esta garantía no cubre ningún cambio en el acabado en latón, incluyendo óxido, perforación, corrosión, manchas o descascamiento. Este tipo de acabados en latón alargan la vida útil al proteger contra las condiciones climáticas cambiantes. Cierta "oscilación" es normal y no debe considerarse un defecto. Cualquier servicio prestado por personal no autorizado invalidará la garantía. No hay ninguna otra garantía expresa. Por este medio Home Depot Decorators Collection se exime de cualquier garantía, incluyendo pero sin limitarse a, aquellas de comercialización e idoneidad para determinado propósito en el alcance permitido por la ley. La duración de cualquier garantía implícita que no pueda exonerarse se limita al período especificado en la garantía explícita. Algunos estados no permiten limitar la duración de la garantía, así que la limitación anterior pudiera no aplicarse a su caso. El minorista no será responsable por daños directos, indirectos o especiales que resulten o deriven del uso o funcionamiento del producto, excepto en los casos estipulados de otro modo por la ley. Algunos estados no permiten excluir ni limitar daños directos o indirectos, así que la limitación o exclusión anterior pudiera no aplicarse a su caso. Esta garantía otorga derechos legales específicos y es posible que usted tenga también otros derechos, que varían de un estado a otro. Esta garantía sustituye todas las garantías anteriores. Los costos de envío en cualquier devolución de productos como parte de una reclamación de garantía corren por cuenta del cliente.

Comunícate con el equipo de servicio al cliente por el teléfono 1-800-986-3460 o visita www.HomeDepot.com/homedecorators.

Preinstalación

ESPECIFICACIONES

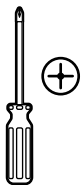
Tamaño	Velocidad	Voltios	Amperios	Vatios	RPM	CFM	Peso neto	Peso bruto	Pies cúbicos
1.3 m	Baja	120	0.24	14	80	2023	16.31 lb (7.4 kg)	19.18 lb (8.7 kg)	1.63 pies ³ (0.05 m ³)
	Media		0.34	28	120	3087			
	Alta		0.49	58	175	4800			



NOTA: Estas medidas son aproximadas. No incluyen ni el amperaje ni el vataje consumido por el kit de luces.



HERRAMIENTAS NECESARIAS



Destornillador
Phillips



Destornillador
plano



Llave
ajustable



Cinta de
electricista



Cortacables



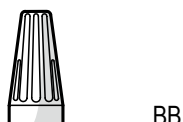
Escalera de tijera

Preinstalación (continuación)

SE INCLUYEN HERRAJES



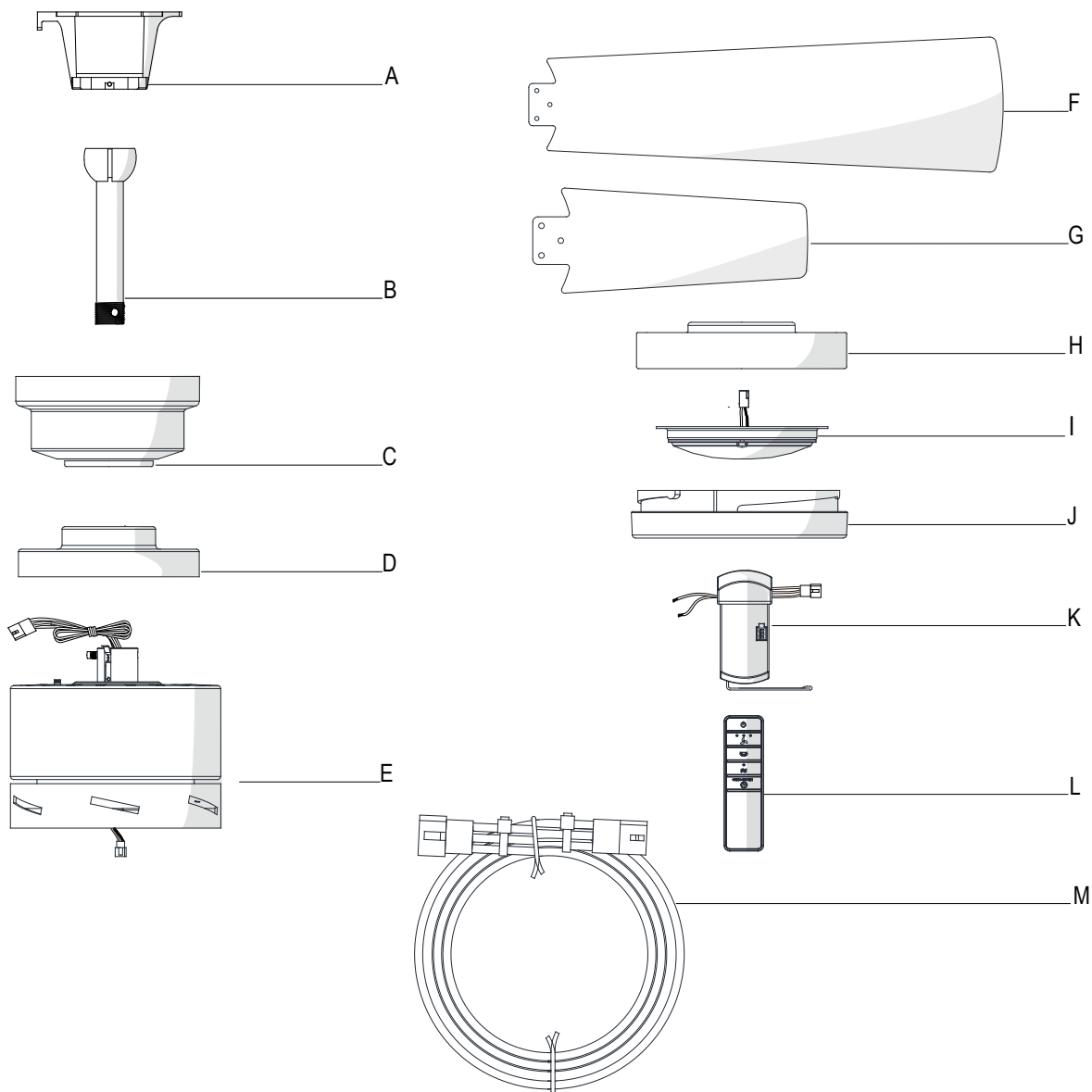
NOTA: Los herrajes no se muestran en su tamaño real.



Pieza	Descripción	Cantidad
AA	Tornillos para fijar las aspas	16
BB	Conector plástico para cables	3

Preinstalación (continuación)

CONTENIDO DEL PAQUETE



Pieza	Descripción	Cantidad
A	Soporte deslizante de montaje (dentro de la cubierta)	1
B	Conjunto del tubo bajante/bola	1
C	Cubierta	1
D	Cubierta decorativa del collarín del motor	1
E	Conjunto del motor y el ventilador	1

Pieza	Descripción	Cantidad
F	Aspa larga	3
G	Aspa corta	3
H	Carcasa del kit de luces	1
I	Ensamblaje del soporte del kit de luces	1
J	Tazón resistente a impactos	1
K	Receptor	1
L	Control remoto (incluye batería)	1
M	Extensión de cable terminal	1



IMPORTANTE: Este producto o sus componentes están protegidos por una o más de las siguientes patentes de los EE. UU.: 5,947,436; 5,988,580; 6,010,110; 6,046,416, 6,210,117, así como otras patentes pendientes.

Instalación

OPCIONES DE MONTAJE

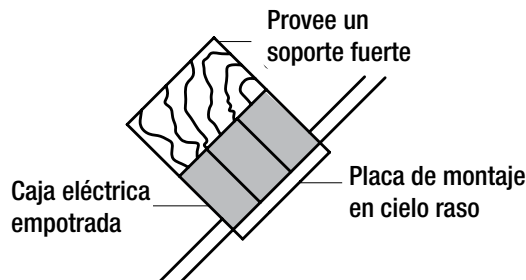
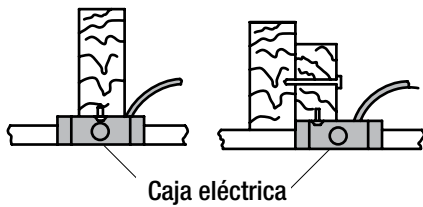
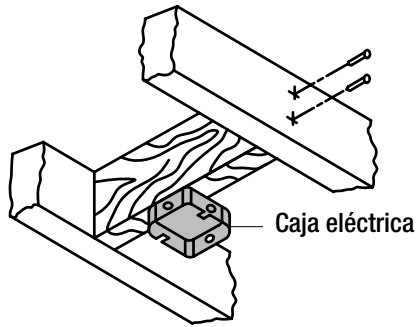


ADVERTENCIA: Para reducir el riesgo de incendio, descarga eléctrica o lesiones personales, instala en una caja eléctrica clasificada como “apropiada para sostener ventiladores de 35 lb (15.9 kg) o menos” y usa los tornillos que vienen con ella. Las cajas eléctricas utilizadas comúnmente para el soporte de lámparas pudieran no servir como soporte de ventilador y tal vez deban reemplazarse. En caso de duda, consulta a un electricista calificado.

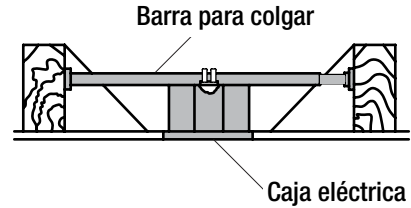
Si tu ventilador de techo no tiene una caja de montaje aprobada por UL, instala una siguiendo las instrucciones a continuación:

- Desconecta la energía retirando los fusibles o apagando los cortacircuitos.
- Asegura la caja eléctrica directamente a la estructura de la edificación. Usa sujetadores y materiales apropiados. La caja eléctrica y su soporte tienen que ser aptos para sostener completamente el peso en movimiento del ventilador (al menos 35 lb: 15.9 kg). No uses una caja eléctrica de plástico.

Las ilustraciones más abajo muestran tres formas distintas de montar la caja eléctrica.



NOTA: Tal vez necesites un tubo bajante más largo para mantener la altura mínima adecuada de las aspas al instalar el ventilador en un techo inclinado. El ángulo máximo permitido es 30° desde la horizontal.



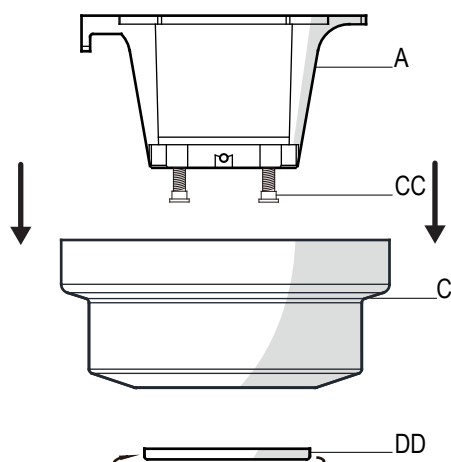
Si la cubierta (C) toca el conjunto del tubo bajante/bola (B), retira la tapa inferior decorativa de la cubierta y gira esta última (C) 180° antes de fijarla a la placa de montaje.

Para colgar el ventilador donde ya haya una lámpara, pero ninguna viga de techo, tal vez necesites una barra colgante como se muestra anteriormente (disponible en cualquier tienda de The Home Depot).

Ensamblaje - Montaje estándar en cielo raso

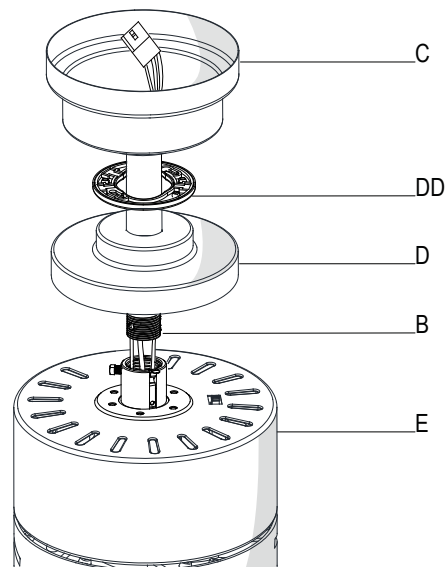
1 Preparación para montaje estándar

- Retira la tapa inferior (DD) de la cubierta (C), girándola hacia la izquierda hasta liberarla.
- Afloja los dos tornillos de la cubierta (CC) ubicados en la parte inferior del soporte de montaje (A) y gira la cubierta hacia la izquierda para quitar el soporte (A) de la cubierta (C).



2 Disposición de los cables

- Inserta los cables que salen por la parte superior del conjunto motor-ventilador (E) a través de la cubierta decorativa del collarín del motor (D) y enseguida a través del centro de la tapa inferior de la cubierta (DD).
- Asegúrate de que la abertura de la cubierta (C) esté arriba e inserta el tubo bajante/bola (B) a través de ella (C).
- Inserta los cables que salen por la parte superior del conjunto del motor y el ventilador (E) a través del tubo bajante, como se muestra.



3 Cómo ensamblar el ventilador

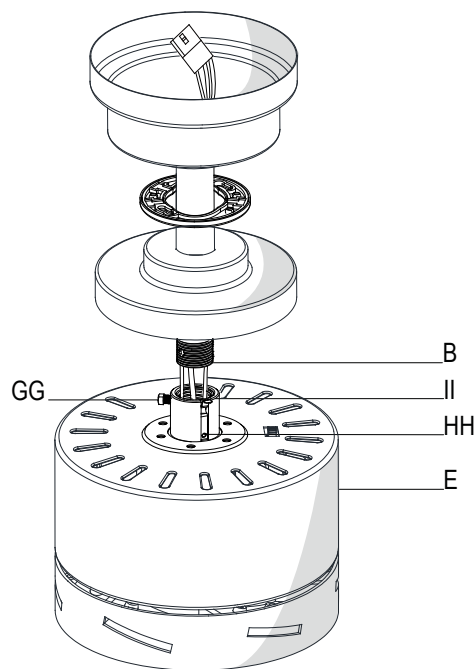


PRECAUCIÓN: Para asegurar que no hay oscilación y evitar daños al ventilador, el tubo bajante (B) y el tornillo de fijación (GG) tienen que quedar completamente ajustados.



NOTA: Este ventilador está equipado con una pestaña de seguridad (HH). Si el tornillo de fijación (GG) se afloja mientras el ventilador está funcionando en reversa, la pestaña de seguridad (HH) se enganchará y evitará que el ventilador se caiga.

- Afloja, sin quitarlo, el tornillo de fijación (GG) del collarín (II) ubicado en la parte superior del conjunto motor-ventilador (E).
- Instala el tubo bajante (B) insertándolo en el collarín del motor (II) y girándolo hacia la derecha hasta quedar fijo.
- Vuelve a apretar el tornillo de fijación (GG) del collarín (II) en la parte superior del conjunto del motor y el ventilador (E).



Ensamblaje - Cómo colgar el ventilador

1 Cómo fijar el ventilador a la caja eléctrica

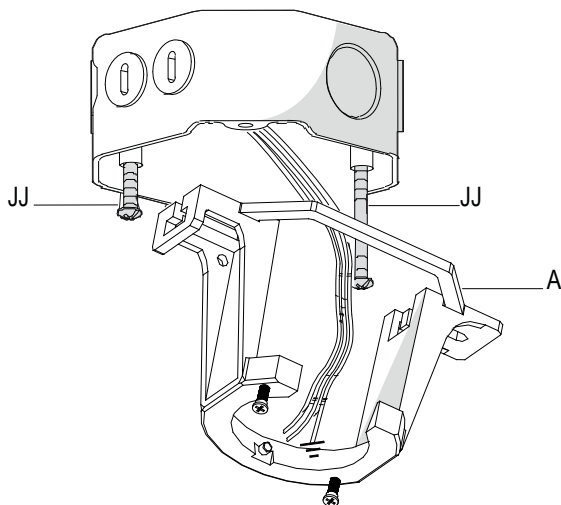


ADVERTENCIA: Para reducir el riesgo de incendio, descarga eléctrica o lesiones personales, instala sólo en una caja eléctrica o sistema de soporte marcado como "apropiado para sostener ventiladores de 35 lb (15.9kg) o menos", y usa sólo los tornillos de montaje incluidos con la caja eléctrica.



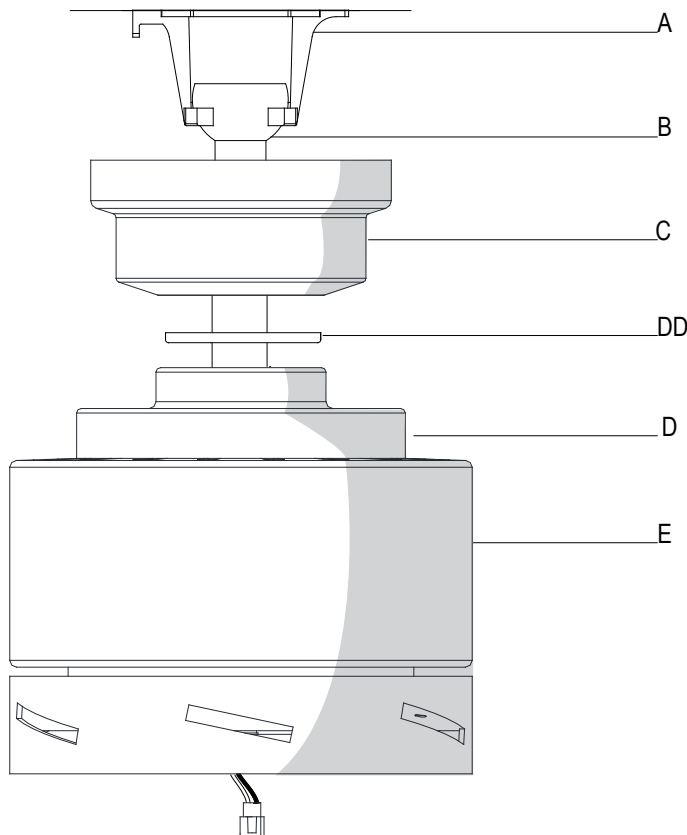
NOTA: El soporte de montaje (A) está diseñado para deslizarse en su lugar sobre una caja eléctrica con los tornillos de esta (JJ).

- Pasa los cables de suministro de 120 V a través del orificio central en el soporte de montaje deslizante (A).
- Instala el soporte de montaje de techo deslizante (A) sobre la caja eléctrica deslizando el soporte (A) sobre los dos tornillos (JJ) incluidos con la caja. Si es necesario, usa arandelas niveladoras (no se incluyen) entre el soporte de montaje deslizante (A) y la caja eléctrica. Ten en cuenta que el lado plano del soporte de montaje deslizante (A) apunte hacia la caja eléctrica.
- Ajusta firmemente los dos tornillos de montaje (JJ).



2 Cómo colgar el ventilador

- Con cuidado, levanta el conjunto motor-ventilador (E) hasta el soporte de montaje deslizante (A).
- Coloca la bola de soporte del conjunto del tubo bajante/bola (B) en el soporte de montaje. Asegúrate de que la pestaña en el casquillo del soporte de montaje deslizante (A) encaje bien dentro de la ranura de la bola de soporte.



Ensamblaje - Cómo colgar el ventilador (continuación)

3 Cómo configurar el código del control remoto y el receptor



NOTA: Las frecuencias del receptor y de la unidad de mano han sido preconfiguradas de fábrica. Antes de instalar el receptor, asegure que los interruptores en línea del receptor y de la unidad de mano estén en la misma frecuencia. Los interruptores en la unidad de mano están ubicados dentro del compartimiento de la batería.

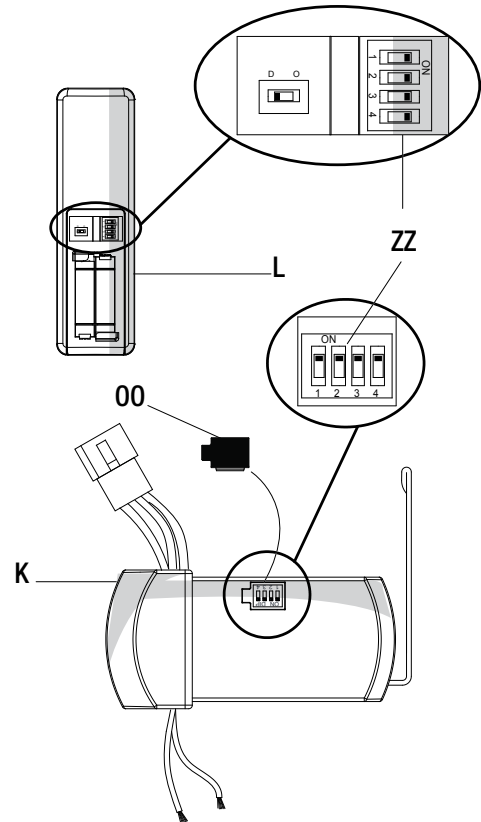


NOTA: El interruptor marcado con "O/D" controla la función de regulación de intensidad de la luz. Si usas bombillas no regulables, emplea un bolígrafo de punta redonda o un destornillador pequeño para fijar el interruptor en la posición "O" a fin de desactivar la función de regulación de intensidad. Si usas bombillas regulables, fija el interruptor en la posición "D" para activar la función de regulación de intensidad.



NOTA: La batería se debilitará con el tiempo y deberá ser reemplazada antes de que se produzca alguna fuga, ya que esto dañará la unidad de mano. Mantén la batería fuera del alcance de los niños y deséchala adecuadamente tras agotarse.

- ❑ Quita la cubierta de la batería del control remoto (L) presionando con firmeza en la flecha y deslizando la cubierta hasta soltarla.
- ❑ Desliza los interruptores en línea (ZZ) a tu elección hacia arriba o abajo. La configuración de fábrica es hacia arriba.
- ❑ Desliza los interruptores en línea (ZZ) del receptor (K) a la misma posición que elegiste para el control remoto (L).
- ❑ Instala dos baterías AAA de 1.5 V (incluidas).
- ❑ Coloca de nuevo la cubierta en el control remoto (L).
- ❑ Inserta el tapón de goma de silicona (OO) en el orificio del receptor (K) para cubrir los interruptores.



4 Cómo instalar el receptor



ADVERTENCIA: Para reducir el riesgo de incendio o de descarga eléctrica, recuerda desconectar la electricidad. El cableado eléctrico tiene que cumplir todos los requisitos de los códigos eléctricos nacionales y locales. La fuente de energía y el ventilador tienen que ser de 110/120 V y 60 Hz. No utilices este producto con ningún control variable de pared. La conexión incorrecta de los cables dañará este receptor.

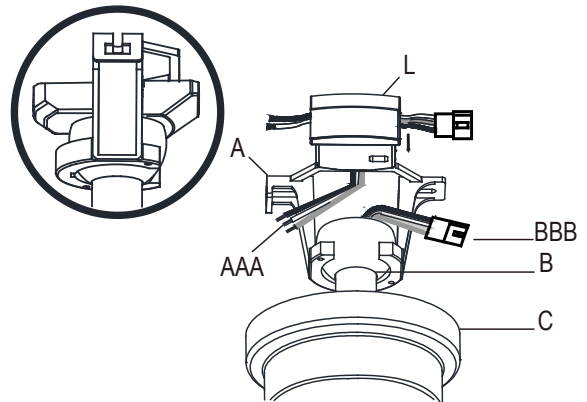


PRECAUCIÓN: Si otros cables del ventilador son de color diferente, un electricista certificado deberá instalar esta unidad.



PRECAUCIÓN: No instales el receptor en lugares húmedos ni lo sumerjas en agua (sólo para usar en interiores). No hales ni recortes los cables terminales del receptor. No dejes caer ni golpees la unidad.

- ❑ Ubica los cables de suministro doméstico (AAA) a un lado del soporte de montaje deslizante (A) y coloca los cables del ventilador (BBB) en el lado opuesto.
- ❑ Inserta el extremo angosto del receptor (como se muestra: el lado plano hacia el techo) en el soporte de montaje deslizante hasta dejarlo apoyado en la parte superior del conjunto tubo bajante/bola.



Ensamblaje - Cómo colgar el ventilador (continuación)

5 Cómo cablear el receptor a los cables del hogar



ADVERTENCIA: Para evitar posible descarga eléctrica, desconecta la electricidad de la caja de fusibles principal antes de realizar el cableado. Si crees que no tienes suficiente conocimiento o experiencia sobre cableado eléctrico, contacta a un electricista con licencia.

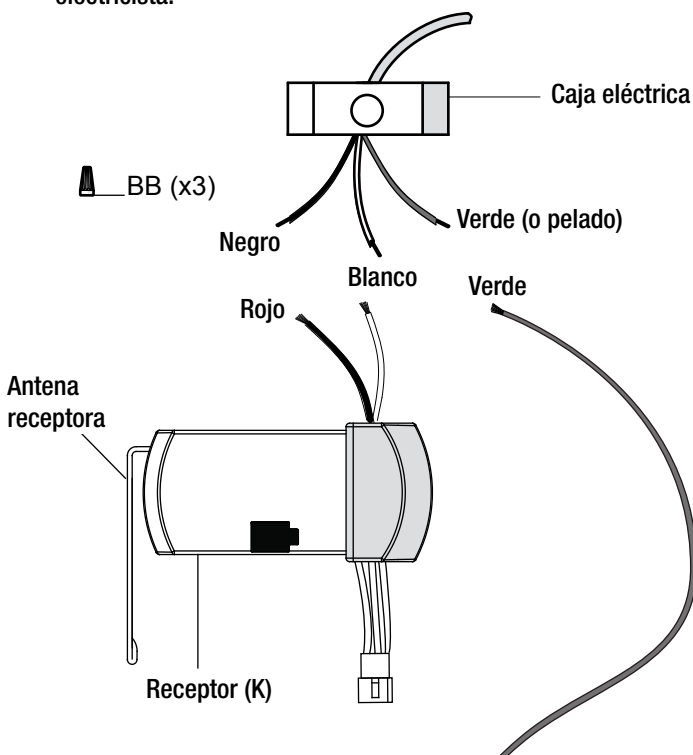


ADVERTENCIA: Cada tuerca para cable suministrada con este ventilador está diseñada para aceptar hasta un cable doméstico de calibre 12 y dos cables del ventilador. Si tu cableado doméstico tiene calibre mayor de 12 o más de un cable para conectar al cableado del ventilador, consulta a un electricista para saber el tamaño adecuado de las tuercas a usar para los cables.



IMPORTANTE: Usa las tuercas de conexión de cables (BB) que vienen con tu ventilador. Sujeta los conectores con cinta de electricista y asegúrate de que no hay conexiones ni cables sueltos.

- Separa los cables de manera que los cables verde y blanco queden de un lado de la caja eléctrica y el cable negro quede del otro lado.
- Conecta los cables verdes del ventilador al cable de conexión a tierra de la casa (este puede ser verde o pelado) con una tuerca de conexión de cables (BB).
- Conecta el cable rojo del receptor (K) al cable negro (positivo) del hogar con una tuerca de conexión de cables (BB).
- Conecta el cable blanco del receptor (K) al cable blanco del hogar (neutro) con una tuerca de conexión de cables (BB).
- Asegura cada tuerca de conexión de cables con cinta de electricista.

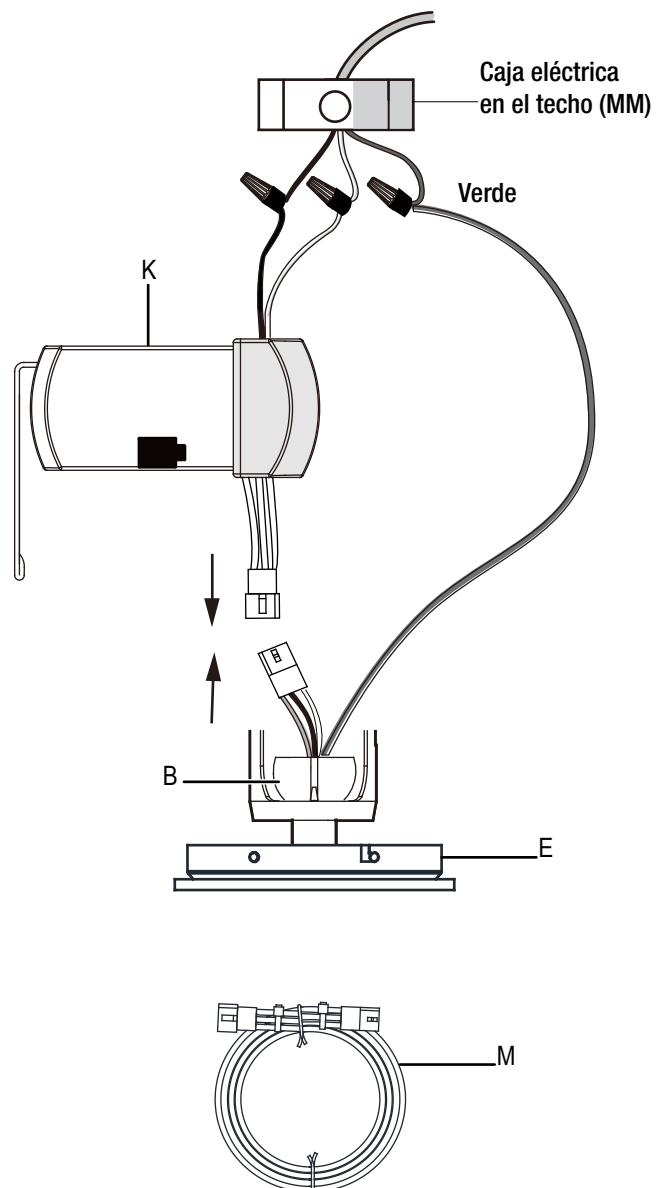


6 Cómo cablear el ventilador al receptor



NOTA: El ventilador viene con cables terminales de 30.5 cm para usar con el conjunto del tubo bajante/bola (B) de 15.2 cm incluido; si deseas un tubo bajante más largo, puedes usar la extensión de cable terminal (107 cm) (L) incluida.

- Si usas el conjunto del tubo bajante/bola (B) de 15.2 cm incluido, conecta los cables del receptor a los cables del ventilador uniendo el enchufe del adaptador moldeado del receptor (K) con el adaptador moldeado del conjunto motor-ventilador (E).
- Si deseas un tubo bajante más largo, puedes usar la extensión de cable terminal (107 cm) (M) incluida conectando el adaptador moldeado.



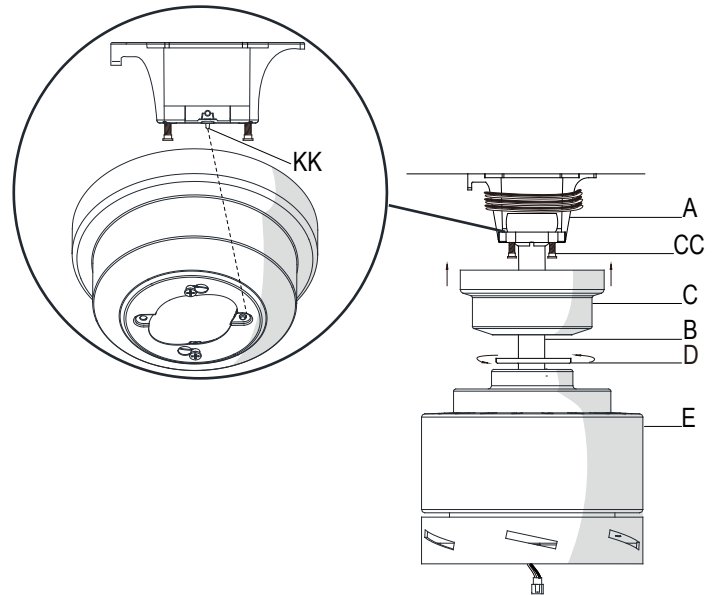
Ensamblaje - Cómo colgar el ventilador (continuación)

7 Cómo montar el conjunto motor-ventilador (montaje estándar)



ADVERTENCIA: Cuando uses el ensamblaje del tubo bajante/bola estándar, la pestaña en el aro en la parte inferior del soporte de montaje debe encajar en la ranura de la bola de soporte. Si la pestaña no se asienta bien en la ranura, se puede dañar el cableado.

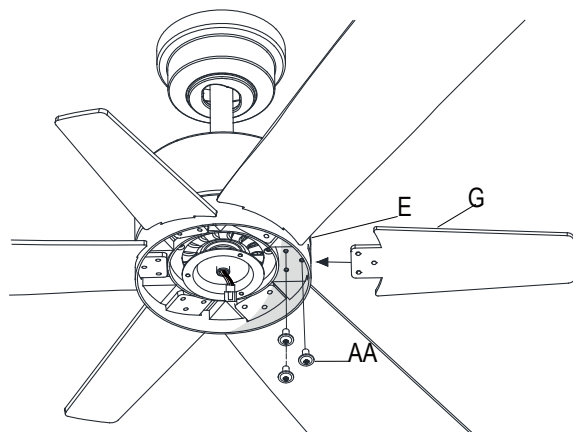
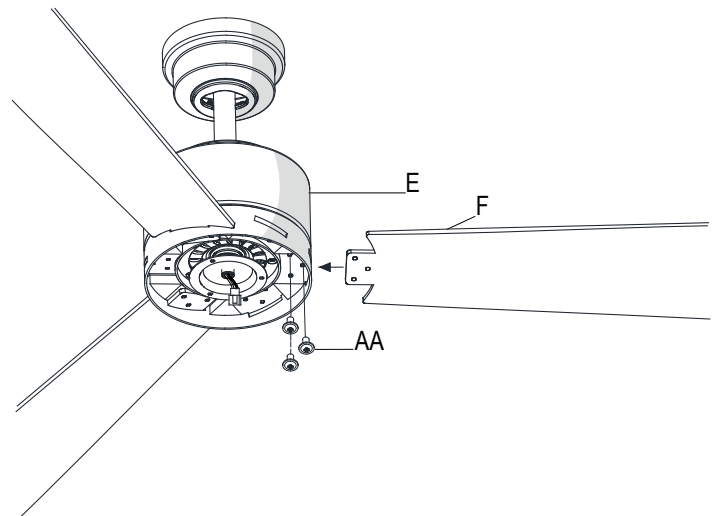
- Alinea las ranuras de cierre de la cubierta (C) con los dos tornillos (CC) y el poste de alineación (KK) del soporte de montaje (A).
- Empuja hacia arriba la cubierta (C) y girala hacia la derecha hasta que el poste de alineación (KK) se enganche en el orificio redondo y los tornillos (CC), en las ranuras tipo ojo de cerradura.
- Ajusta firmemente los dos tornillos de montaje (CC).
- Instala la tapa inferior decorativa (DD) alineando las ranuras de la tapa con los tornillos en la parte inferior de la cubierta (C). Gira la tapa inferior (DD) hacia la derecha para fijarla en su lugar.



Ensamblaje - Cómo montar las aspas

1 Cómo montar las aspas del ventilador

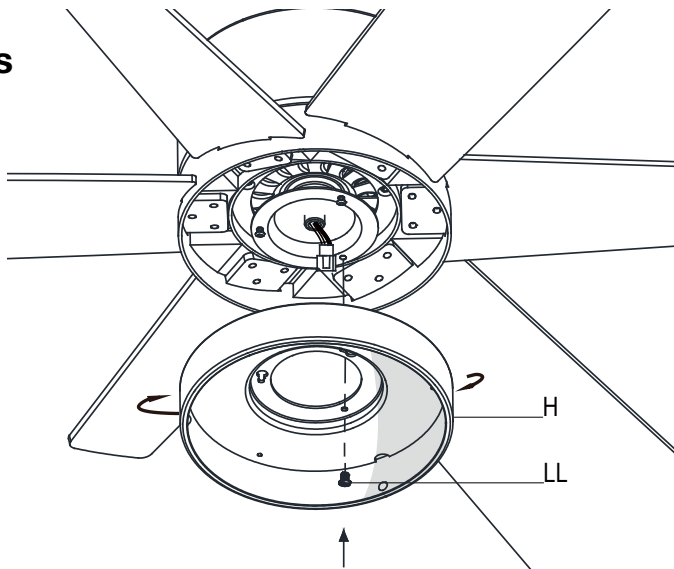
- Fija una de las aspas largas (F) a la carcasa del motor-ventilador (E) insertando el aspa (F) en las ranuras del costado de la carcasa (E) y alineando los tres orificios de tornillo en el aspa con los orificios en el volante central; asegura con tornillos (AA).
- Repite este paso para las dos aspas largas (F) restantes.
- Fija una de las aspas cortas (G) a la carcasa del motor-ventilador (E) insertando el aspa (G) en las ranuras del costado de la carcasa (E) y alineando los tres orificios de tornillo en el aspa con los orificios en el volante central; asegura con tornillos (AA).
- Repite este paso para las dos aspas cortas (G) restantes.
- Asegúrate de que todos los tornillos están firmemente apretados.



Ensamblaje - Cómo instalar el kit de luces

1 Cómo instalar la carcasa del kit de luces

- ❑ Quita un tornillo (LL) del soporte negro debajo del conjunto motor-ventilador (E) y afloja los otros dos tornillos, pero sin quitarlos.
- ❑ Empuja la carcasa del kit de luces (H) hacia el conjunto motor-ventilador (E) de manera que los dos tornillos aflojados encajen en los orificios tipo ojo de cerradura. Gira la carcasa del kit de luces (H) hacia la derecha.
- ❑ Reinstala el tornillo (LL) que retiraste en el paso 1.
- ❑ Asegúrate de que todos los tornillos están firmemente apretados.

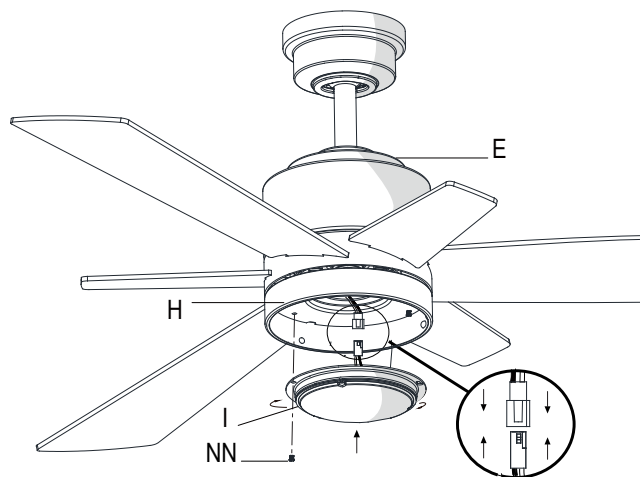


2 Cómo instalar el conjunto del soporte del kit de luces



PRECAUCIÓN: Para disminuir el riesgo de descarga eléctrica, desconecta el circuito de energía del ventilador antes de instalar la carcasa del kit de luces.

- ❑ Quita un tornillo (NN) de la carcasa del kit de luces (H) y afloja los otros dos tornillos, pero sin quitarlos.
- ❑ Conecta los cables del ensamblaje de soporte del kit de luces (I) a los cables del conjunto motor-ventilador (E), conectando juntos los enchufes del adaptador moldeado. Coloca con cuidado todos los cables y empalmes dentro de la caja del interruptor.
- ❑ Empuja el ensamblaje del soporte del kit de luces (I) hacia la carcasa del kit (H) de manera que los dos tornillos aflojados encajen en las ranuras tipo ojo de cerradura. Gira el ensamblaje del soporte del kit de luces (I) hacia la derecha para asegurarlo.
- ❑ Reinstala el tornillo (NN) que retiraste en el paso 1.
- ❑ Asegúrate de que todos los tornillos están firmemente apretados.



3 Cómo instalar el tazón resistente a impactos

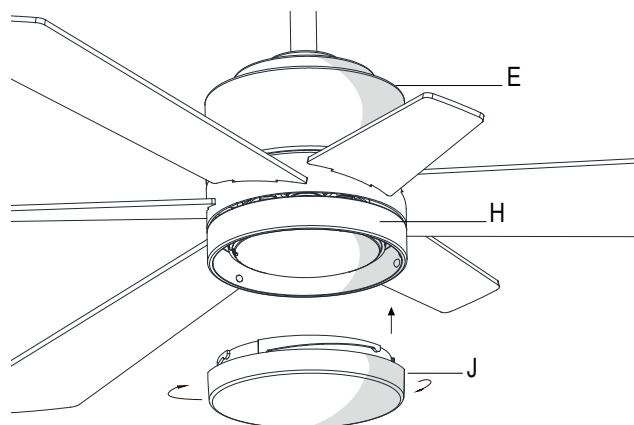


PRECAUCIÓN: Asegúrate de que la corriente esté cortada antes de montar o retirar el tazón resistente a impactos.



ADVERTENCIA: Espera a que el tazón resistente a impactos se enfríe por completo antes de retirarlo.

- ❑ Coloca el tazón resistente a impactos (J) en la carcasa del kit de luces (H), alineando las tres áreas planas en el reborde superior del tazón (J) con las tres muescas salientes de la carcasa.
- ❑ Gira el tazón resistente a impactos (J) hacia la derecha hasta que se detenga.



Cómo usar tu ventilador y control remoto

Control remoto - Tu nuevo ventilador de techo está equipado con un control remoto para la velocidad y las luces.

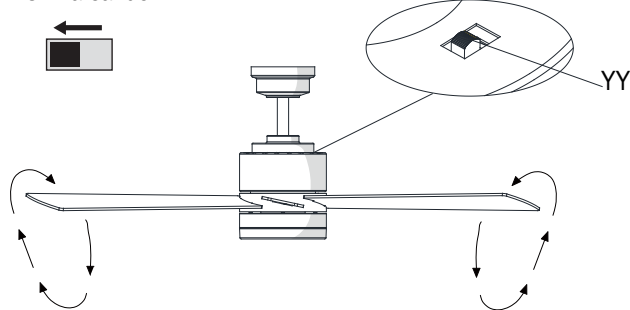
Las configuraciones de velocidad para clima cálido o frío dependen de factores tales como tamaño de la habitación, altura del techo, cantidad de ventiladores y otros.

El ventilador se envía desde la fábrica con el interruptor de reversa (YY) colocado para hacer circular el aire hacia abajo. Si deseas dirigir la corriente de aire en sentido contrario, apaga el ventilador y espera que las aspas se detengan. Desliza el interruptor de reversa (ubicado sobre la carcasa del motor) a la posición opuesta y vuelve a encender el ventilador. Las aspas del ventilador girarán en sentido contrario e invertirán la corriente de aire.

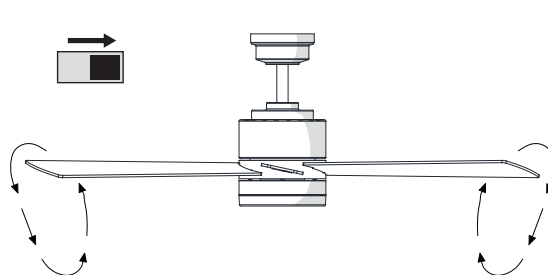
Clima cálido - (Hacia adelante) Un flujo de aire descendente surte efecto refrescante. Esto permite fijar el aire acondicionado en configuración más alta sin afectar tu comodidad.

Clima frío - (Reversa) Un flujo de aire hacia arriba mueve el aire cálido lejos del techo. Esto permite fijar la unidad de calefacción en configuración más baja sin afectar tu comodidad.















A. Clima cálido

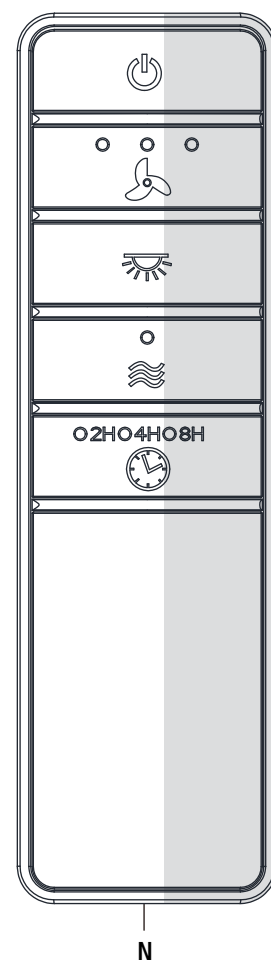


B. Clima frío



Cómo usar tu ventilador y control remoto

- Encendido y apagado (ON/OFF):** Presiona y suelta el botón  para encender o apagar el ventilador y la luz.
 - Mantén presionado el  botón durante 5 segundos para usar el “temporizador inmediato”; esto activará las luces durante 30 segundos (al 50% de su brillo).
- Velocidad del ventilador:** Las luces LED en el botón de velocidad del ventilador indicarán la velocidad correspondiente.
 -  - Oprime y suelta 1 vez para encender el ventilador a velocidad alta.
 -  - Oprime y suelta 2 veces para encender el ventilador a velocidad media.
 -  - Oprime y suelta 3 veces para encender el ventilador a velocidad baja.
 -  - Oprime y suelta 4 veces para apagar el ventilador.
- Encendido y apagado de luces (ON/OFF)**
 - Oprime y suelta el botón  para encender o apagar la luz.
 - Mantén presionado el botón  para activar la función de regulación de intensidad (siempre que NO hayas configurado previamente el interruptor O/D del control remoto en la posición “ON”)
- Comfort Breeze™**
 - Oprime y suelta el botón  para activar la función Comfort Breeze™; esto hará que la velocidad del ventilador cambie aleatoriamente, imitando una brisa relajante. Para cancelar esta función, oprime  o .
- Temporizador**
 -  - Con el ventilador encendido, oprime 1 vez para activar el temporizador con 2 horas de funcionamiento.
 -  - Con el ventilador encendido, oprime 2 veces para activar el temporizador con 4 horas de funcionamiento.
 -  - Con el ventilador encendido, oprime 3 veces para activar el temporizador con 8 horas de funcionamiento.



Mantenimiento y limpieza



ADVERTENCIA: Asegúrate de que la electricidad esté cortada antes de limpiar tu ventilador.

- Por causa del movimiento natural del ventilador, algunas conexiones pueden aflojarse. Revisa dos veces al año las conexiones de soporte, los soportes y los accesorios de las aspas. Comprueba que estén seguros. No es necesario desmontar el ventilador del techo.
- Limpia el ventilador con frecuencia para que luzca como nuevo al paso de los años. No uses agua al limpiar. Esto puede dañar el motor o la madera e incluso provocar descarga eléctrica. Usa sólo un cepillo suave o un paño sin pelusas para evitar arañar el acabado. El revestimiento está sellado con laca para minimizar la decoloración u opacidad.
- Puedes aplicar a la madera una fina capa de pulimento para muebles y asegurar así mayor protección y belleza superior. Cubre los arañazos pequeños con una leve aplicación de lustrador para calzado.
- No necesitas lubricar el ventilador. El motor tiene cojinetes de bola sellados y permanentemente lubricados.

Solución de problemas

Problema	Solución
El ventilador no enciende.	<ul style="list-style-type: none">□ Verifica los fusibles o cortacircuitos principales y secundarios.□ Asegúrate de que el interruptor de pared esté en posición de encendido (ON), si corresponde.□ Verifica las conexiones de cables en línea al ventilador y de cables del interruptor en la caja de interruptores.□ Revisa la batería del transmisor.□ Asegúrate de estar en el rango normal de 3 a 6 metros.□ Asegúrate de que las configuraciones del interruptor en línea sean las mismas para el transmisor y el receptor.□ Recuerda cortar la electricidad antes de verificar las configuraciones de los interruptores en línea.
El ventilador hace ruido.	<ul style="list-style-type: none">□ Asegura que todos los tornillos de la carcasa del motor estén ajustados.□ Asegúrate de que los tornillos que unen el soporte de aspa al cuerpo del motor estén bien apretados.□ Asegúrate de que las conexiones de tuerca de cable no choquen unas con otras ni con la pared interior de la caja del interruptor.□ Deja que transcurra un período de “adaptación” de 24 horas. Casi todos los ruidos asociados con un ventilador nuevo desaparecen en ese período.□ Si usas el kit de luces de ventilador de techo, asegúrate de que los tornillos que sujetan el vidrio estén bien colocados. Verifica que las bombillas estén bien aseguradas.□ Asegúrate de que la cubierta esté a corta distancia del techo. No debe tocar el techo.□ Asegura que la caja eléctrica quede bien ajustada y que se hayan instalado almohadillas aislantes de goma entre la placa de montaje y la caja eléctrica.
El ventilador oscila.	<ul style="list-style-type: none">□ Verifica que todas las aspas y los tornillos de sus brazos estén bien ajustados.□ Casi todos los problemas de oscilación del ventilador se deben a que las aspas no están al mismo nivel. Verifica este nivel seleccionando un punto en el techo sobre la punta de una de las aspas. Mide desde un punto en el centro de cada aspa al punto en el techo. Gira el ventilador hasta que la próxima aspa quede en posición para medir. Repite el procedimiento para cada aspa. Las desviaciones de la medición no deben pasar de 0.3 cm. Deja que el ventilador funcione durante diez minutos. Si el ventilador continúa oscilando, comunícate con el servicio al cliente y te enviarán un kit de compensación de aspas, sin costo alguno.

Este equipo fue sometido a prueba y se determinó que cumple con los límites establecidos para un dispositivo digital Clase B según la Parte 15 de las Normas FCC. Estos límites fueron establecidos para ofrecer protección razonable contra la interferencia dañina en uso residencial. Este equipo genera, consume y puede irradiar energía de radiofrecuencia; si no se instala y usa de acuerdo con las instrucciones, puede causar interferencia dañina a comunicaciones radiales. Sin embargo, no hay garantía de que no ocurrirá interferencia en una instalación particular. Si este equipo causa interferencia que perjudica la recepción de radio o televisión, lo cual puede determinarse encendiendo y apagando el equipo, se recomienda al usuario tratar de corregir la interferencia con una o más de las siguientes medidas:

- Reorientar o reubicar la antena receptora.
- Incrementar la distancia entre los equipos y el receptor.
- Conectar el equipo a un tomacorriente en circuito distinto al que el receptor está conectado.
- Consultar al concesionario o algún técnico de radio/TV con experiencia para ayuda.

PRECAUCIÓN:

Los cambios o modificaciones sin aprobación expresa del responsable de este dispositivo podrían anular el derecho del usuario a operar el equipo. Este dispositivo cumple con la Parte 15 de las Normas FCC. Su operación está sujeta a las dos condiciones siguientes: (1) Este dispositivo no debe causar interferencia dañina y (2) tiene que aceptar cualquier interferencia recibida, incluyendo aquella que pudiera afectar su funcionamiento.

HOME DECORATORS COLLECTION

¿Preguntas, problemas o piezas faltantes? Antes de devolver a la tienda,
llama al Servicio al Cliente de Home Decorators Collection,
de lunes a viernes, entre 8:00 a.m. y 7:00 p.m. (ESTE), y los sábados de 9:00 a.m. a 6 p.m. (ESTE).

1-800-986-3460

HOMEDEPOT.COM/HOMEDECORATORS

Conserva este manual para uso futuro.