

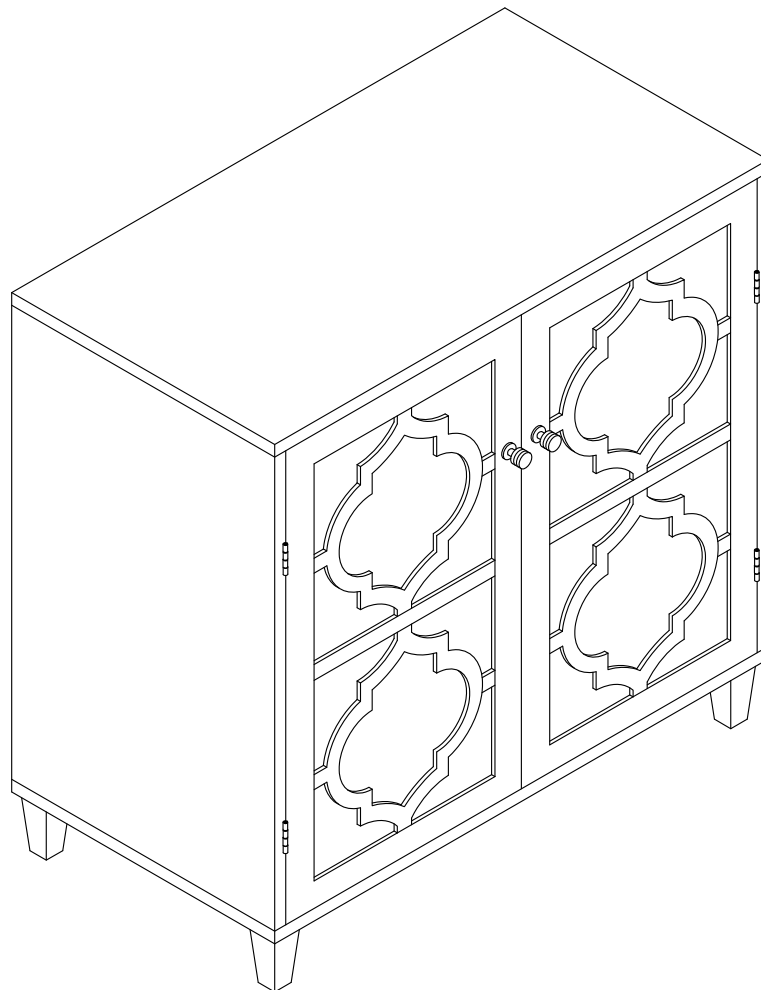
# HOME DECORATORS COLLECTION

HDC# 97149 MFG# M61260H2-E / M61260H2-W  
REFLECTIONS 3 PC MIRRORED CBNT 3 PIECE SET BOX 1

## ASSEMBLY INSTRUCTIONS

Note: Before assembly, please be sure to work on a soft, flat surface to avoid any damage to the finish.

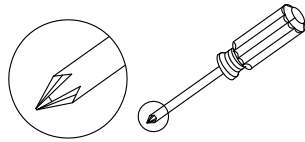
Made In China



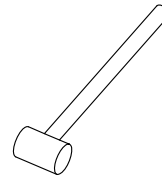
# *BEFORE ASSEMBLY*

**IMPORTANT NOTE:** READ CAREFULLY BEFORE ASSEMBLY TO PREVENT DAMAGE TO PARTS. Following instruction listed below in the proper sequence as numbered to assure fast, easy and correct assembly.

## **ASSEMBLY TOOLS REQUIRED**



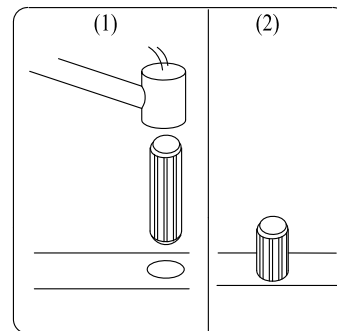
"+"Screw driver



Rubber Mallet

## *WOODEN DOWEL INSTALLATION PROCEDURE*

- (1) GENTLY TAP DOWEL INTO HOLE  
WITH RUBBER Mallet OR USE HAND  
PRESS IN.  
DO NOT USE HAMMER



## *HIDDEN CONNECTOR ASSEMBLY TECHNIQUES FOR LOCK NUT & LOCK PIN*

1 SET INCLUDES: (C) CAM-LOCK 1PC. (A) CAM BOLT 1PC.

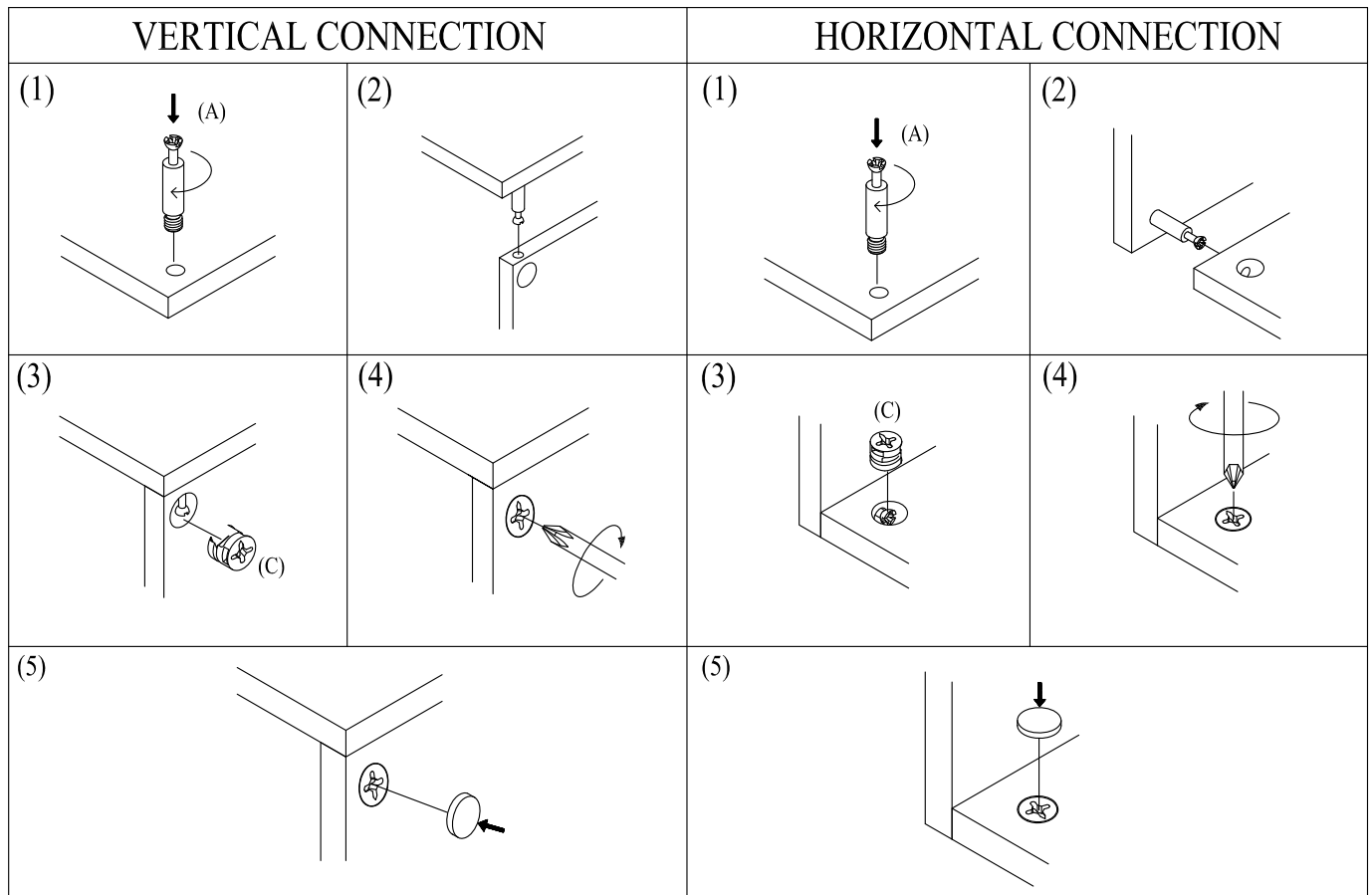
TOOL NEEDED: "+" SCREW DRIVER

STEP 1: SCREW CAM BOLT (A) ONTO PRE-SET PLASTIC NUT ON PANEL. USE A "+" SCREW-DRIVER FOR TIGHTENING. ATTENTION: DO NOT OVER TIGHTEN THE CAM BOLT (A).

STEP 2: ATTACH BOTH PANELS, MAKE SURE YOU HAVE INSERTED THE CAM BOLT TO THE VERY DEPTH OF THE HOLE WITH RUBBER Mallet GENTLY, CAUTION: DO NOT USE HAMMER. THEN INSERT CAM-LOCK (C) INTO PRE-DRILLED HOLE ON PANEL, MAKE SURE THE ARROW ON CAM-LOCK (C) SET IN PANEL POINT TOWARD THE HOLE INTO WHICH THE CAM BOLT (A) HAS BEEN INSERTED AND INSERTED THE CAM-LOCK (C) TO THE VERY DEPTH OF THE HOLE.

STEP 3: ROTATE THE CAM-LOCK (C) CLOCKWISE TO SECURE CAM BOLT (A) BY TIGHTENING WITH A "+" SCREWDRIVER.

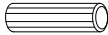
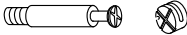




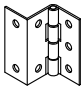


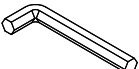


DETAIL STEP PLEASE SEE THE BELOW PICTURE.



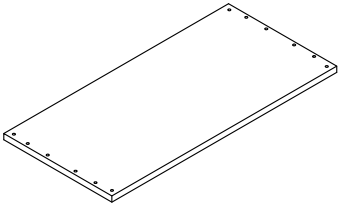

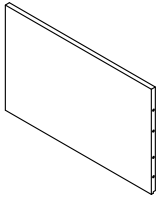
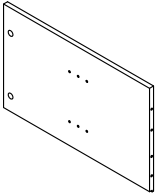
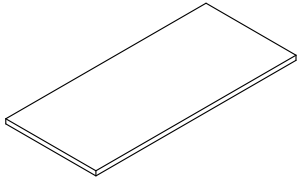
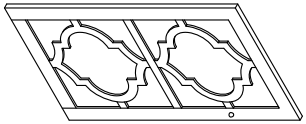
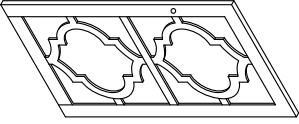
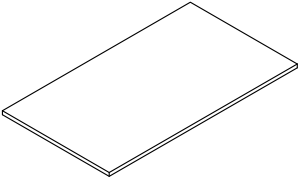
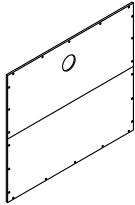
THANK YOU FOR PURCHASING THIS QUALITY PRODUCT. BE SURE TO CHECK ALL PACKING MATERIAL CAREFULLY FOR SMALL PARTS, WHICH MAY HAVE CAME LOOSE INSIDE THE CARTON DURING SHIPMENT. COUNT ALL PARTS AND MATERIAL HARDWARE, COMPARE WITH PARTS LIST TO BE SURE ALL PART ARE PRESENT. IF ANY PARTS ARE MISSING OR DAMAGED, PHONE, FAX OR MAIL TO OUR CUSTOMER SERVICE DEPARTMENT. FOR EFFICIENT AND SPEEDY SERVICE PLEASE INDICATE THE MODEL NUMBER AND CODE LETTER OF PART NEED.

**IMPORTANT NOTE:** FOLLOW INSTRUCTIONS LISTED BELOW IN PROPER SEQUENCE AS NUMBERED TO ASSURE FAST, EASY AND CORRECT ASSEMBLY.

## HARDWARE LIST

WOOD DOWEL 12 PCS  D8*30 (1)	CAM BOLT CAM-LOCK 4 SETS  D15 (2)	VELVET HOLE COVER 4 PCS  (3)	ROUND HEAD BOLT FLAT WASHER 8 SETS  M6*40 (4)
MAGNET LOCK ROUND HEAD SCREW 1 SET  M3*12 (5)	IRON SLICE FLAT HEAD SCREW 2 SETS  M3*12 (6)	HINGE FLAT HEAD SCREW 4 SETS  M3*15 (7)	KNOB ROUND HEAD BOLT 2 SETS  M4*25 (8)
ROUND HEAD SCREW 22 PCS  M3*15 (9)	ALLEN KEY 1 PC  (10)	FLAT HEAD SCREW FLAT WASHER (Ø9) FLAT WASHER STRAP ANCHOR 1 SET  M3.5*30 (11)	SHELF HOLDER 4 PCS  M4*16 (12)

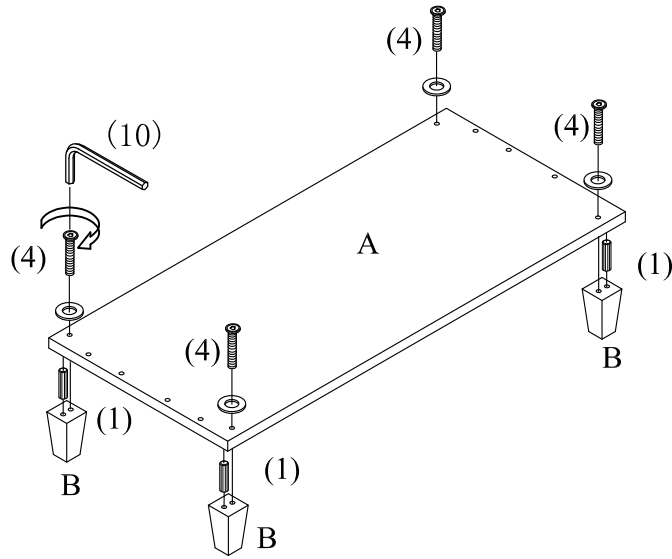
# PARTS LIST

<p><b>BOTTOM PANEL</b> 1 PC</p>  <p style="text-align: right;">A</p>	<p><b>LEG</b> 4 PCS</p>  <p style="text-align: right;">B</p>	<p><b>LEFT SIDE PANEL</b> 1PC</p>  <p style="text-align: right;">C</p>
<p><b>RIGHT SIDE PANEL</b> 1PC</p>  <p style="text-align: right;">D</p>	<p><b>TOP PANEL</b> 1 PC</p>  <p style="text-align: right;">E</p>	<p><b>DOOR</b> 1 PC</p>  <p style="text-align: right;">F</p>
<p><b>DOOR</b> 1 PC</p>  <p style="text-align: right;">G</p>	<p><b>SHELF</b> 1 PC</p>  <p style="text-align: right;">H</p>	<p><b>BACK PANEL</b> 1 PC</p>  <p style="text-align: right;">I</p>

NOTE: THE SURFACE WITH THE STICKER IS THE BACK SIDE.

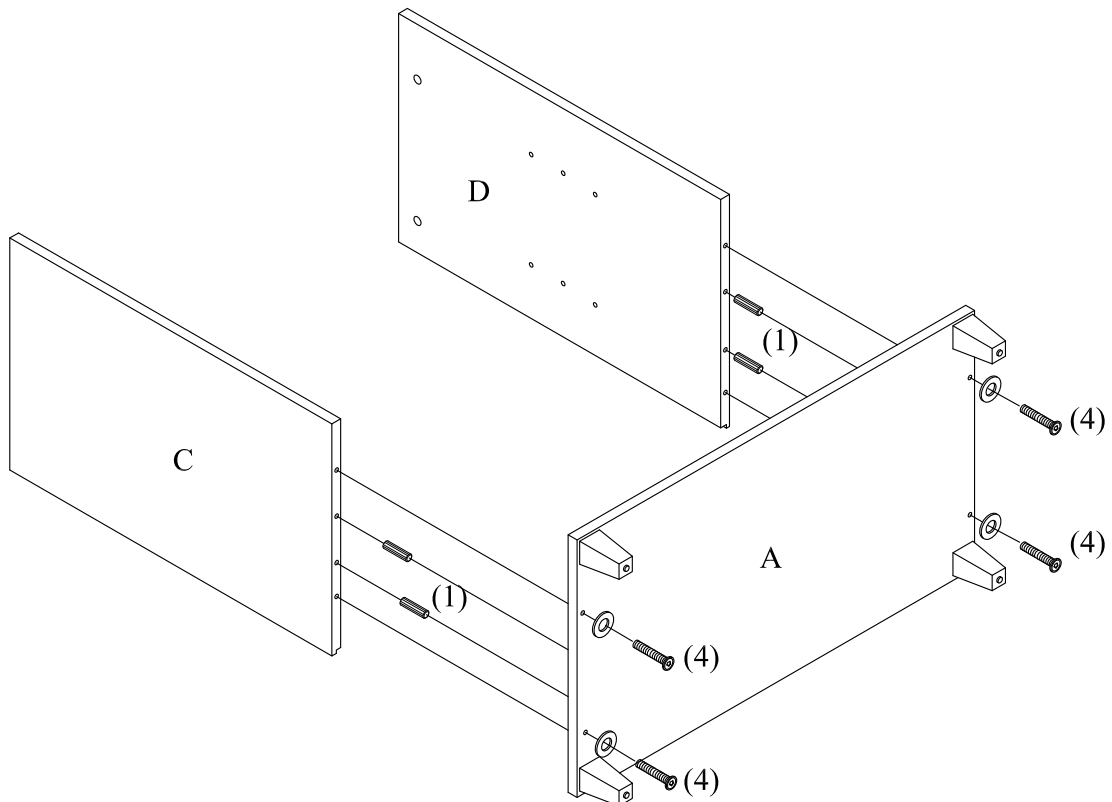
STEP 1: ASSEMBLE BOTTOM PANEL (A) AND LEG (B)

- INSERT WOOD DOWEL (1) INTO THESE HOLES.  
(DETAILS SEE WOODEN DOWEL INSTALLATION PROCEDURE ON PAGE 2).
- USE ROUND HEAD BOLT AND FLAT WASHER (4) TO ATTACH BOTTOM PANEL (A) AND LEG (B) TOGETHER BY ALLEN KEY (10).



STEP 2: ASSEMBLE SIDE PANEL (C & D)

- INSERT WOOD DOWEL (1) INTO THESE HOLES.  
(DETAILS SEE WOODEN DOWEL INSTALLATION PROCEDURE ON PAGE 2).
- USE ROUND HEAD BOLT AND FLAT WASHER (4) TO ASSEMBLE SIDE PANEL (C & D) AND BOTTOM PANEL (A) TOGETHER.

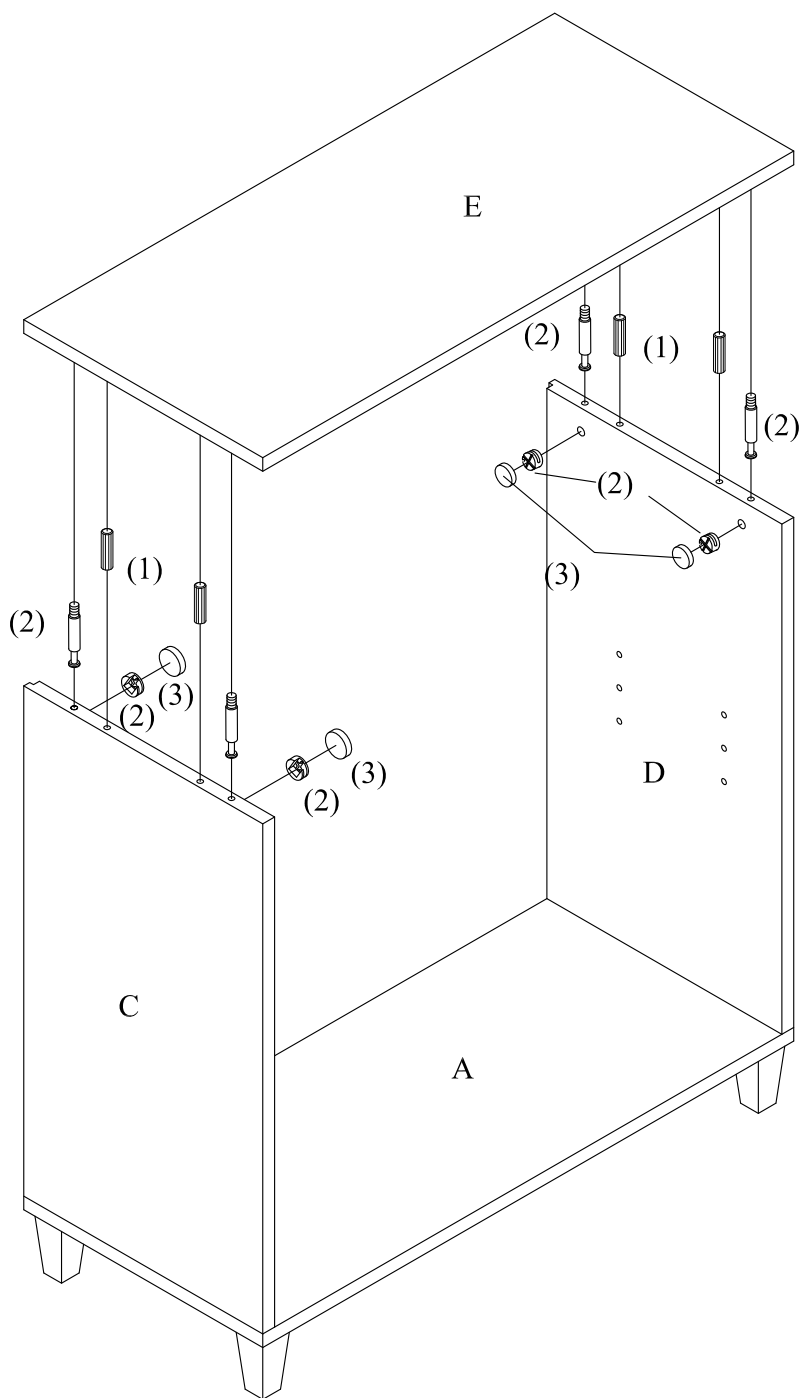


STEP 3: ASSEMBLE TOP PANEL (E)

- INSERT WOOD DOWEL (1) INTO THESE HOLES.

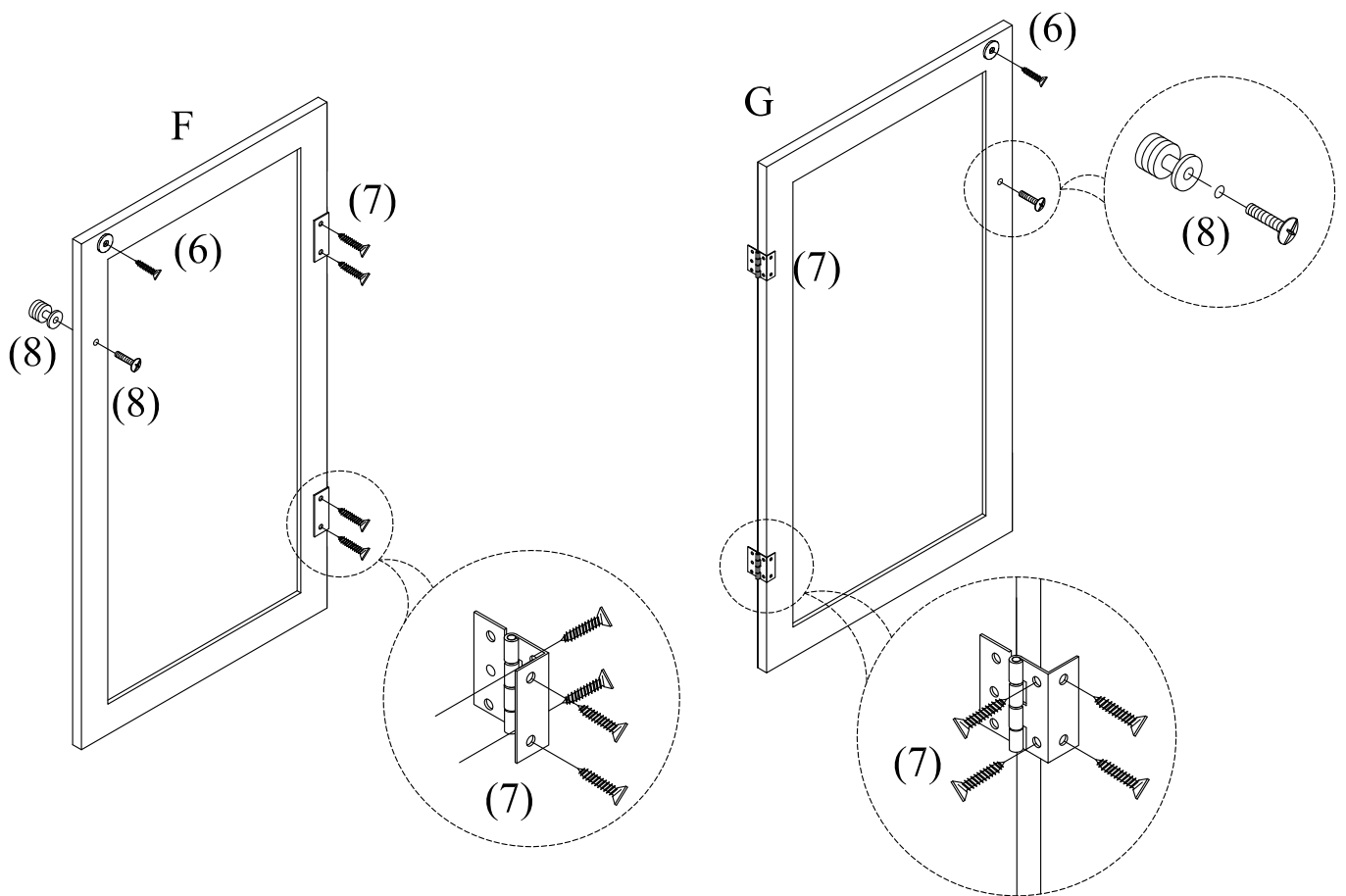
(DETAILS SEE WOODEN DOWEL INSTALLATION PROCEDURE ON PAGE 2).

- USE CAM-BOLT & CAM-LOCK (2) TO ASSEMBLE SIDE PANEL (C & D) AND TOP PANEL (E).
- USE THE VELVET HOLE COVER (3) TO COVER THE CAM-LOCK HOLES AS SHOWN.



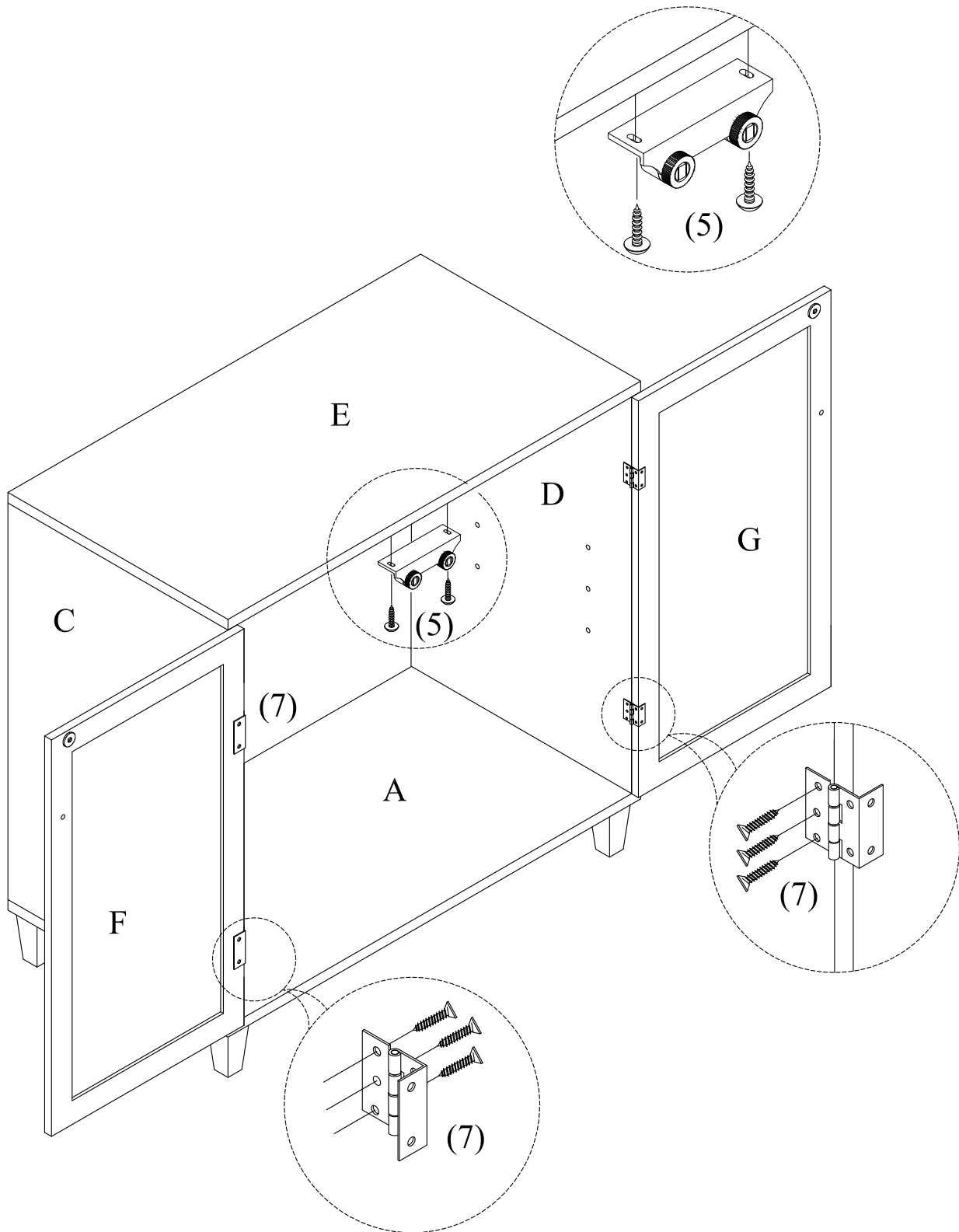
STEP 4: ASSEMBLE IRON SLICE (6), HINGE (7) AND KNOB (8)

- USE FLAT HEAD SCREW (6) TO ATTACH IRON SLICE (6) ONTO DOOR (F & G).
- USE FLAT HEAD SCREW (7) TO ATTACH HINGE (7) ONTO DOOR (F & G).
- USE ROUND HEAD BOLT (8) TO ATTACH KNOB (8) ONTO DOOR (F & G).



STEP 5: ASSEMBLE DOOR (F & G) AND MAGNET LOCK (5)

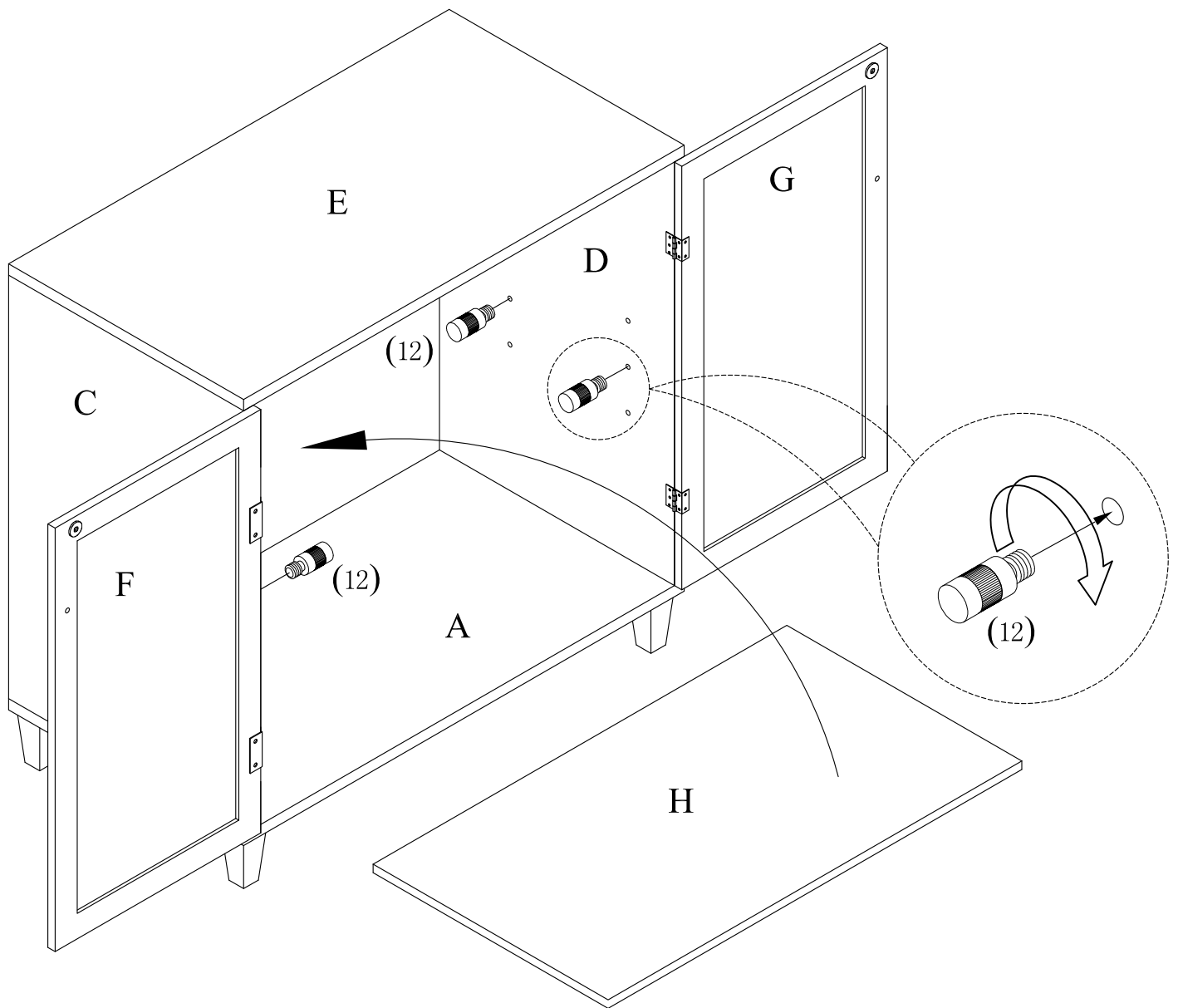
- USE FLAT HEAD SCREW (7) AND HINGE (7) TO ATTACH DOOR (F & G) ONTO SIDE PANEL (C & D).
- USE ROUND HEAD SCREW (5) TO ATTACH MAGNET LOCK (5) ONTO TOP PANEL (E).





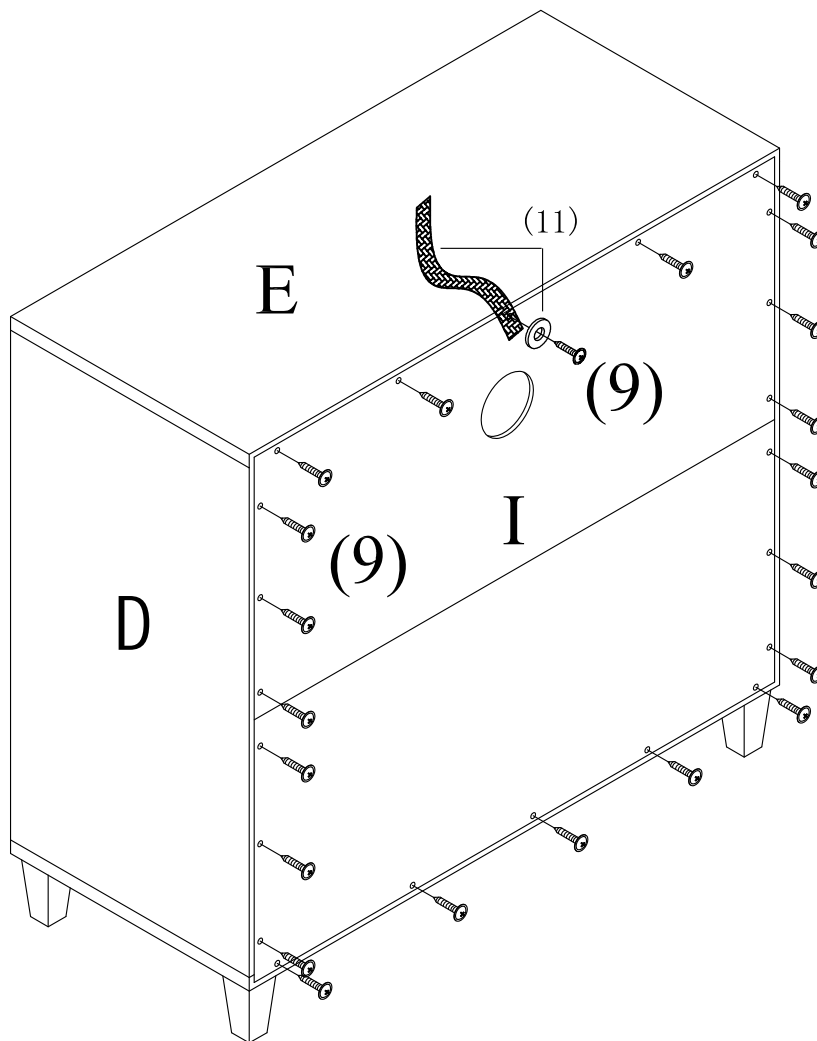
STEP 6: ASSEMBLE SHELF (H)

- INSERT SHELF HOLDERS (12) INTO THE HORIZONTAL HOLES INSIDE OF SIDE PANEL (C & D). THEN PUT SHELF (H) INTO THE UNIT.



STEP 7: ASSEMBLE BACK PANEL (I)

- USE ROUND HEAD SCREW (9) TO ATTACH BACK PANEL (I) ON THE BACK OF PRE-ASSEMBLED UNIT.
- USE ROUND HEAD SCREW (9) AND FLAT WASHER ( $\varnothing 9$  FROM SET 11) TO ATTACH STRAP (11) TO BACK PANEL (I).



NOTE: BEFORE YOU ASSEMBLE THE BACK PANEL, PLEASE MAKE SURE THE 2 SIDE PANELS HAVE AN EVEN GAP BETWEEN THEM. IF UNEVEN, SHIFT THE SIDE PANELS UNTIL EVENLY SPACED, THEN ATTACH BACK PANEL.

STEP 8: ASSEMBLE STRAP TO WALL

- INSERT THE ANCHER (11) TO WALL.
- USE SCREW (11) AND WASHER (11) TO ATTACH OTHER END OF STRAP TO THE WALL ONCE THE ITEM HAS BEEN PLACED INTO THE REQUIRED POSITION.
- WARNING: ENSURE THE AREA TO BE DRILLED IS FREE FROM HIDDEN ELECTRICAL WIRES AND WATER OR GAS PIPES.

