

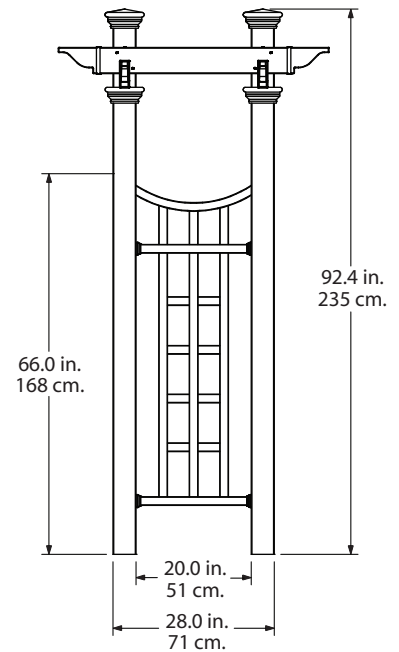
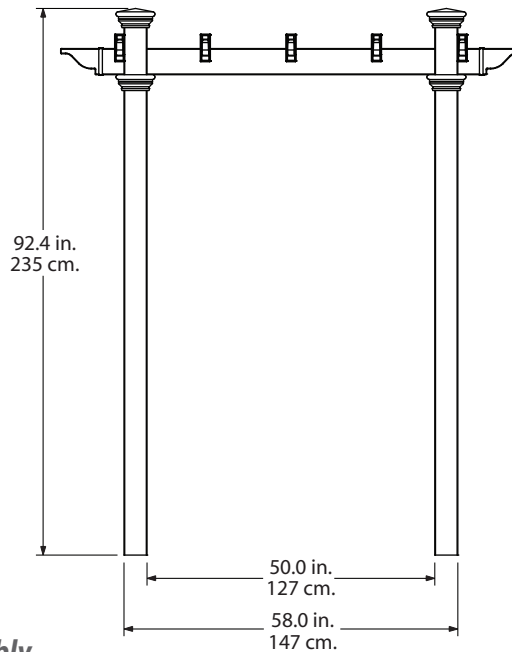
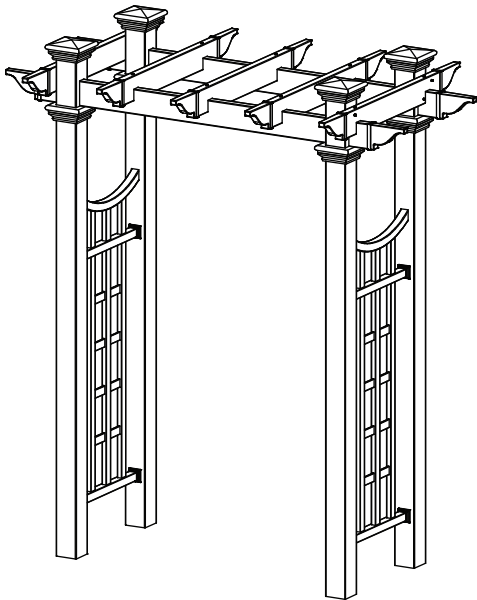
# ASSEMBLY INSTRUCTIONS

New England  
Arbors

Leadership by Design

www.newenglandarbors.com

## The Fairfield Deluxe Arbor



Please read through before starting assembly.

**IMPORTANT: CHECK THE INSIDE OF YOUR POSTS FOR ALL MATERIALS.**

### Check Box for These Contents

In the event of missing or defective parts please call our customer service dept. at **1 800 282 9346, ext #20** (Mon. to Fri. 8:00 AM to 4:00 PM EST).

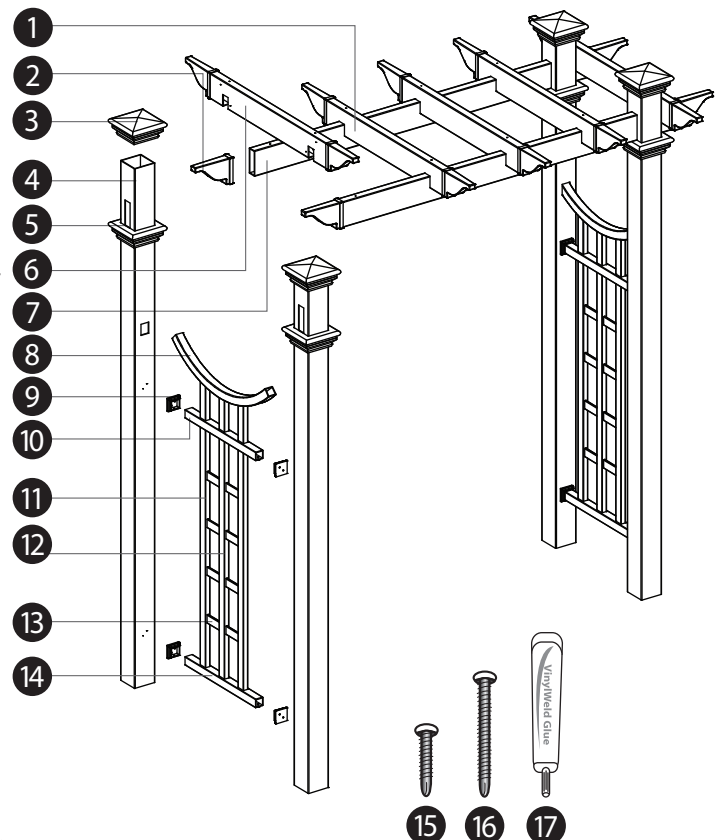
1. Middle Rafters (3) 1 1/2" x 4 1/2" x 33.5"
2. Pergola End Caps (4)
3. Post Caps (4)
4. Posts (4) 4" x 4" x 90.5"
5. Post Trims (4)
6. End Rafters (2) 1 1/2" x 4 1/2" x 33.5"
7. Carrying Beams (2) 1 1/2" x 4 1/2" x 66.5"
8. Side Panel Curved Top-Rails (2)
9. Sur-Fit Bracket for Side Panel Horizontals (8)
10. Side Panel Horizontal Mid-Rails (2) 1 1/2" x 1 1/2" x 19.75"
11. Side Panel Outside Vertical Spindles (Longer) (4) 7/8" x 1 1/2" x 52.75"
12. Side Panel Middle Vertical Spindles (Shorter) (2) 7/8" x 1 1/2" x 52.125"
13. Side Panel Horizontal Short Spindles (8) 1/4" x 1 1/2" x 11.85"
14. Side Panel Horizontal Bottom Rails (2) 1 1/2" x 1 1/2" x 19.75"
15. #8 x 1 1/2 in. (3.8 cm.) Stainless Steel Screws (for Sur-Fit Brackets) (24)
16. #8 x 3 in. (7.6 cm.) Stainless Steel Screws (for Rafters) (18)
17. Tube of Vinyl Glue (1)

### Tools You Will Need

- Hammer
- Tape Measure
- Level
- Stool or Short Ladder
- Shovel or Auger
- Cordless Drill

### General Information

- **Read Instructions through carefully before beginning assembly.**
- When assembling components, place on a non-abrasive surface (i.e. shipping box) to avoid scratching.
- We recommend an area approx 10' x 8' for unobstructed assembling.
- You should not need to use excessive force when assembling components.



(Not to scale)

Ver 4/Oct 2011