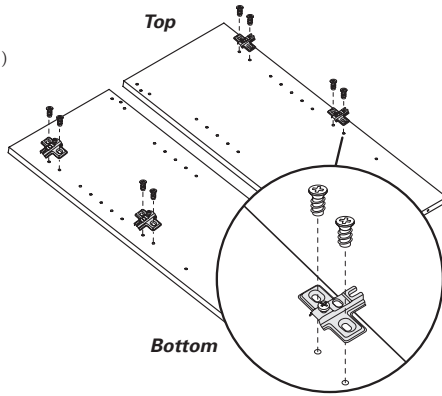




### STEP 1

#### Parts Required

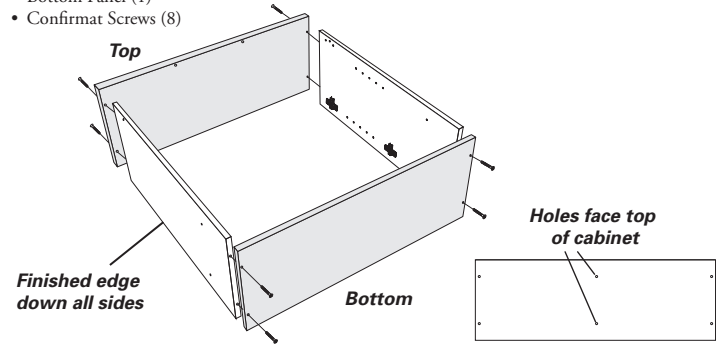
- Left Vertical Panel (1)
- Right Vertical Panel (1)
- Hinge Plates (4)
- Euro Screws (8)



### STEP 2

#### Parts Required

- Top Panel (1)
- Bottom Panel (1)
- Confirmat Screws (8)



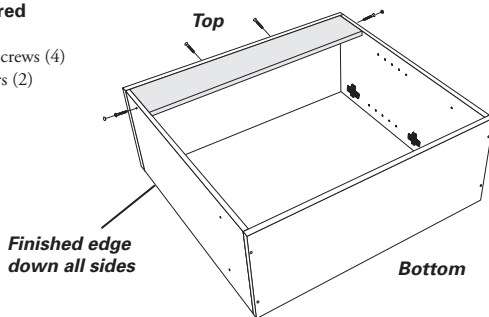
## Choose Your Installation Method, Wall Mount or Upright Mount

### STEP 3A

### Wall Mount Instructions

#### Parts Required

- Cleat (1)
- Confirmat Screws (4)
- Screw Covers (2)

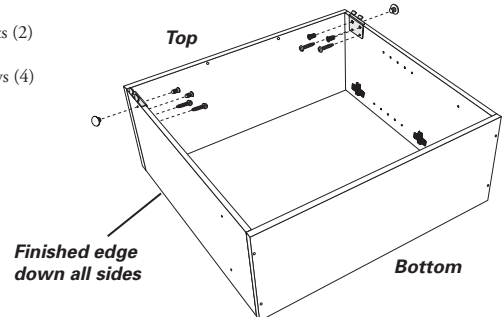


### STEP 3B

### Upright Mount Instructions

#### Parts Required

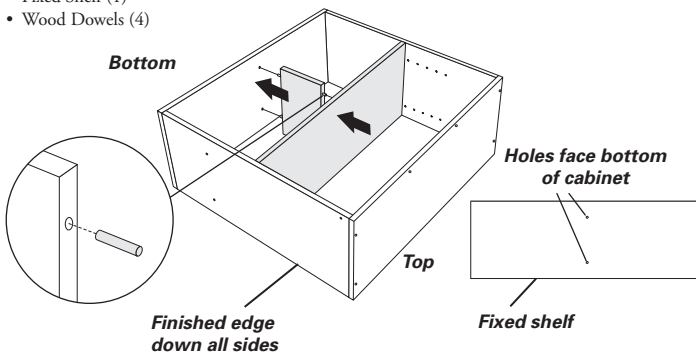
- Upright Brackets (2)
- Euro Screws (4)
- Pan Head Screws (4)
- Hole Plugs (2)



### STEP 4

#### Parts Required

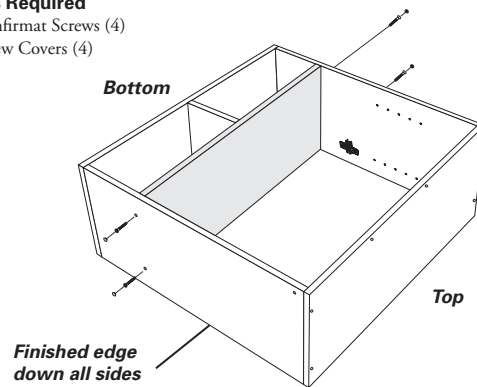
- Wall Cabinet Divider (1)
- Fixed Shelf (1)
- Wood Dowels (4)



### STEP 5

#### Parts Required

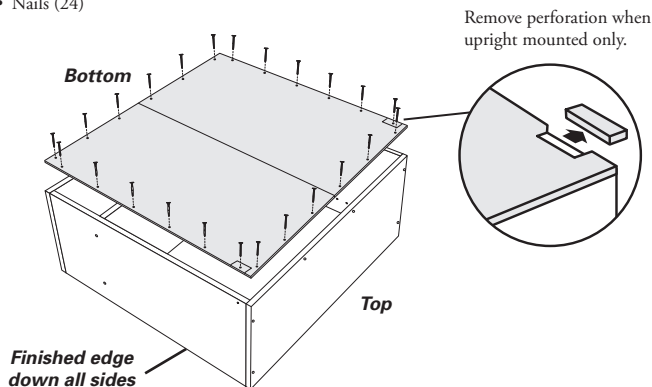
- Confirmat Screws (4)
- Screw Covers (4)



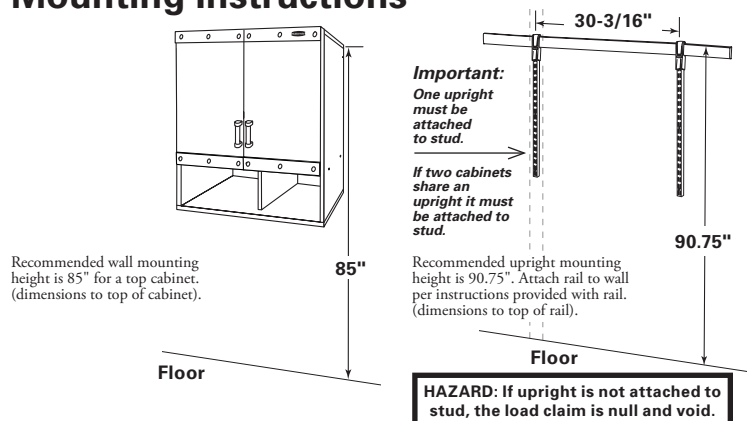
### STEP 6

#### Parts Required

- Backer Board (1)
- Nails (24)



### Mounting Instructions

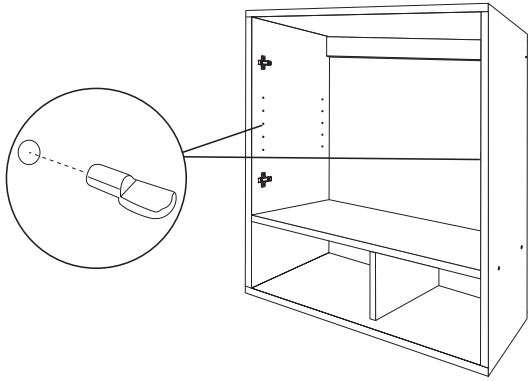


# Shelf and Door Assembly Instructions

## STEP 8

### Parts Required

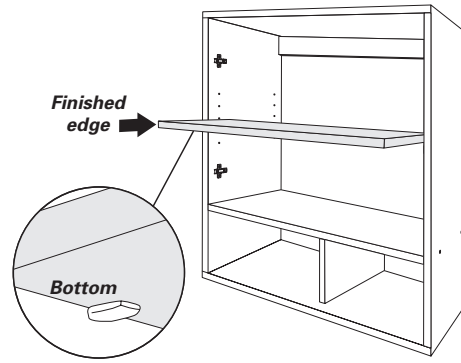
- Shelf Support Pins (4)



## STEP 9

### Parts Required

- Adjustable Shelf (1)

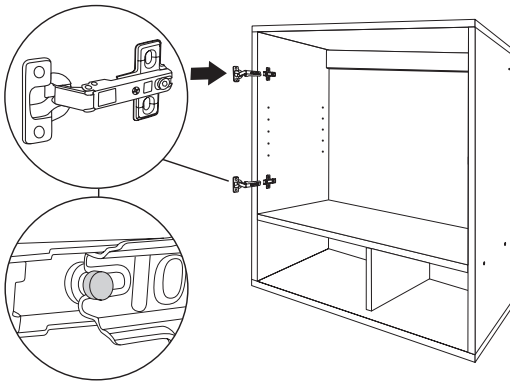


## STEP 10

### Parts Required

- Hinges (4)

Install hinges to hinge plates.  
Repeat for other side.

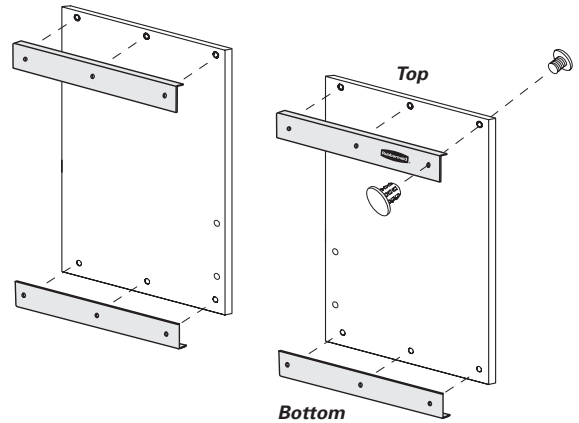


Center hinge plate screw in hinge slot.

## STEP 11

### Parts Required

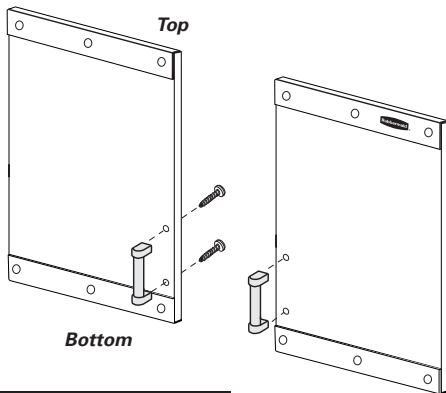
- Doors (2)
- Metal Plates (4)
- Metal Plate Fasteners with Screws (12)



## STEP 12

### Parts Required

- Handles (2)
- Handle Screws (4)

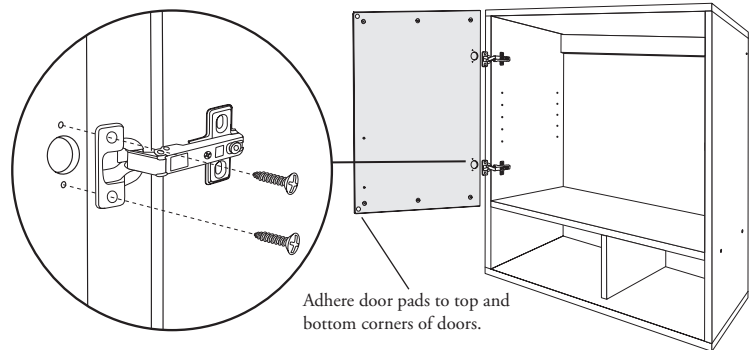


## STEP 13

### Parts Required

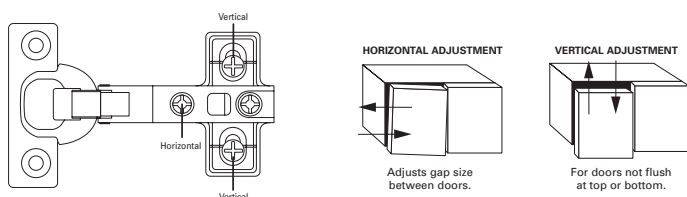
- Hinge Plate Screws (8)
- Door Pads (4)

Assemble doors to the cabinet.

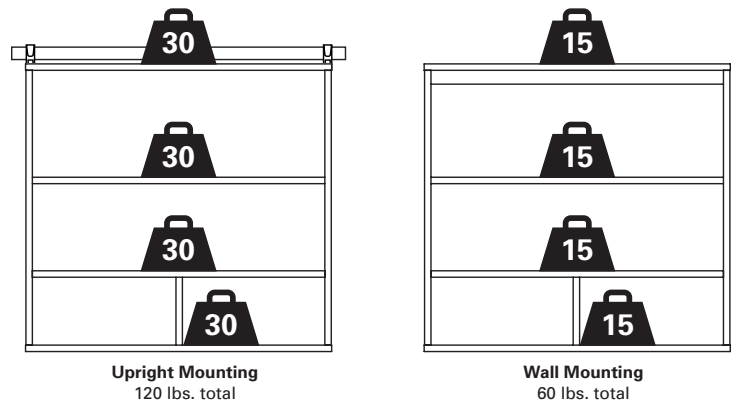


## STEP 14

Ensure cabinet is square prior to adjusting hinges.



## Load Capacity



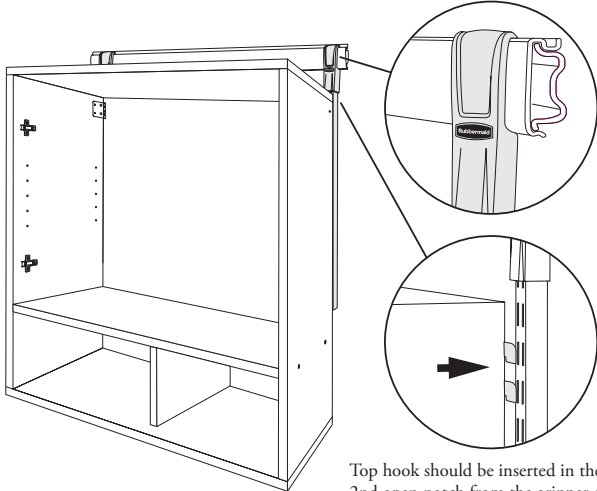
**WARNING: SERIOUS INJURY OR DEATH CAN RESULT BY NOT FOLLOWING BELOW INSTRUCTIONS.**

## Choose Mounting Method

### Upright Mount Instructions

**STEP 7A**

**Hang cabinet on rail.**

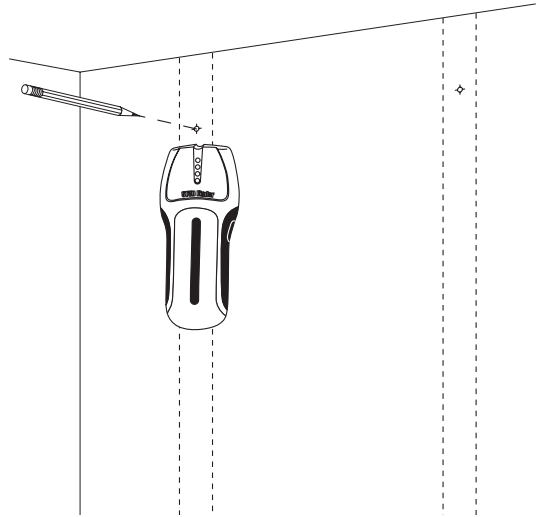


**HAZARD: Use two or more people to install cabinet.  
Failure to do so can result in back or other injury.**

### Direct Wall Mount Instructions

**STEP 7B**

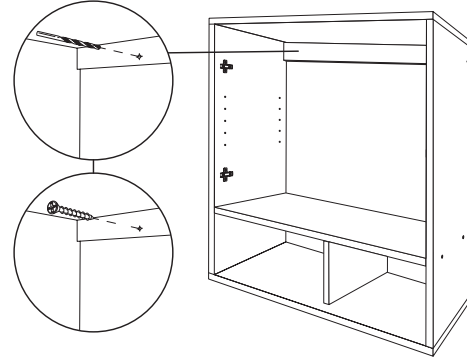
**Locate studs**



**STEP 7C**

**Secure cabinet to wall.**

With two or more people hold the cabinet against the wall over the marked stud locations. Predrill (1) hole for a wall mount screw using 1/8" drill bit through cleat into stud. Insert one screw into stud through wood cleat.



**HAZARD: Use two or more people to install cabinet.  
Failure to do so can result in back or other injury.**

**STEP 7D**

**Secure cabinet to wall.**

Level cabinet. Predrill hole for second wall mount screw through cleat into stud. Insert the second screw into stud through cleat. Ensure cabinet is hanging on two studs.

