

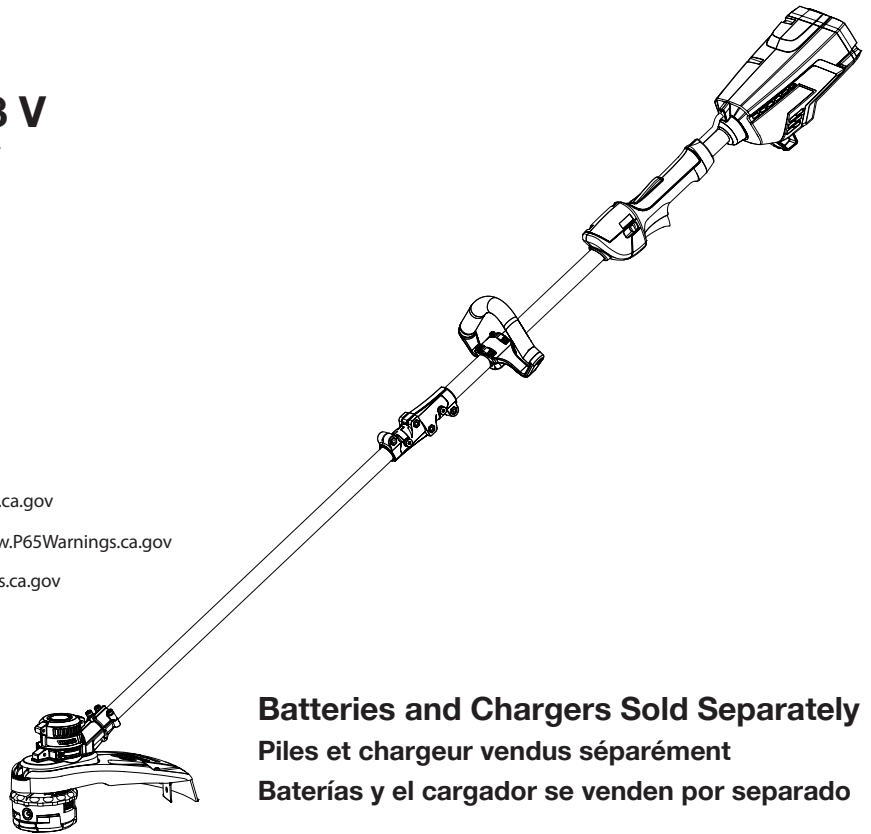
**Operator's Manual**  
**Manuel d'utilisation**  
**Manual del operador**



**58 Volt String Trimmer**

**Taille-bordures à ligne de 58 V**  
**Recortadora de hilo de 58 V**

**CDST-58V**



**Batteries and Chargers Sold Separately**  
**Piles et chargeur vendus séparément**  
**Baterías y el cargador se venden por separado**

CALIFORNIA PROPOSITION 65  
PROPOSITION 65 DE L'ÉTAT DE CALIFORNIE  
CALIFORNIA - PROPUESTA DE LEY NÚM. 65

- WARNING:** Cancer and Reproductive Harm – [www.P65Warnings.ca.gov](http://www.P65Warnings.ca.gov)
- AVERTISSEMENT :** Cancer et dommages à la reproduction – [www.P65Warnings.ca.gov](http://www.P65Warnings.ca.gov)
- ADVERTENCIA:** Cáncer y daño reproductivo – [www.P65Warnings.ca.gov](http://www.P65Warnings.ca.gov)

Your trimmer has been engineered and manufactured to our high standard for dependability, ease of operation, and operator safety. When properly cared for, it will give you years of rugged, trouble-free performance.

**WARNING** *To reduce the risk of injury, the user must read and understand the operator's manual before using this product.*

Thank you for your purchase.

**SAVE THIS MANUAL FOR FUTURE REFERENCE**

Le taille-bordures à ligne a été conçue et fabriquée conformément à nos strictes normes de fiabilité, simplicité d'emploi et sécurité d'utilisation. Correctement entretenue, elle vous donnera des années de fonctionnement robuste et sans problème.

**AVERTISSEMENT** *Pour réduire les risques de blessures, l'utilisateur doit lire et veiller à bien comprendre le manuel d'utilisation avant d'employer ce produit.*

Merci de votre achat.

**CONSERVER CE MANUEL  
POUR FUTURE RÉFÉRENCE**

Su recortadoras de hilo ha sido diseñada y fabricada de conformidad con las estrictas normas para brindar fiabilidad, facilidad de uso y seguridad para el operador. Con el debido cuidado, le brindará muchos años de sólido y eficiente funcionamiento.

**ADVERTENCIA** *Para reducir el riesgo de lesiones, el usuario debe leer y comprender el manual del operador antes de usar este producto.*

Le agradecemos su compra.

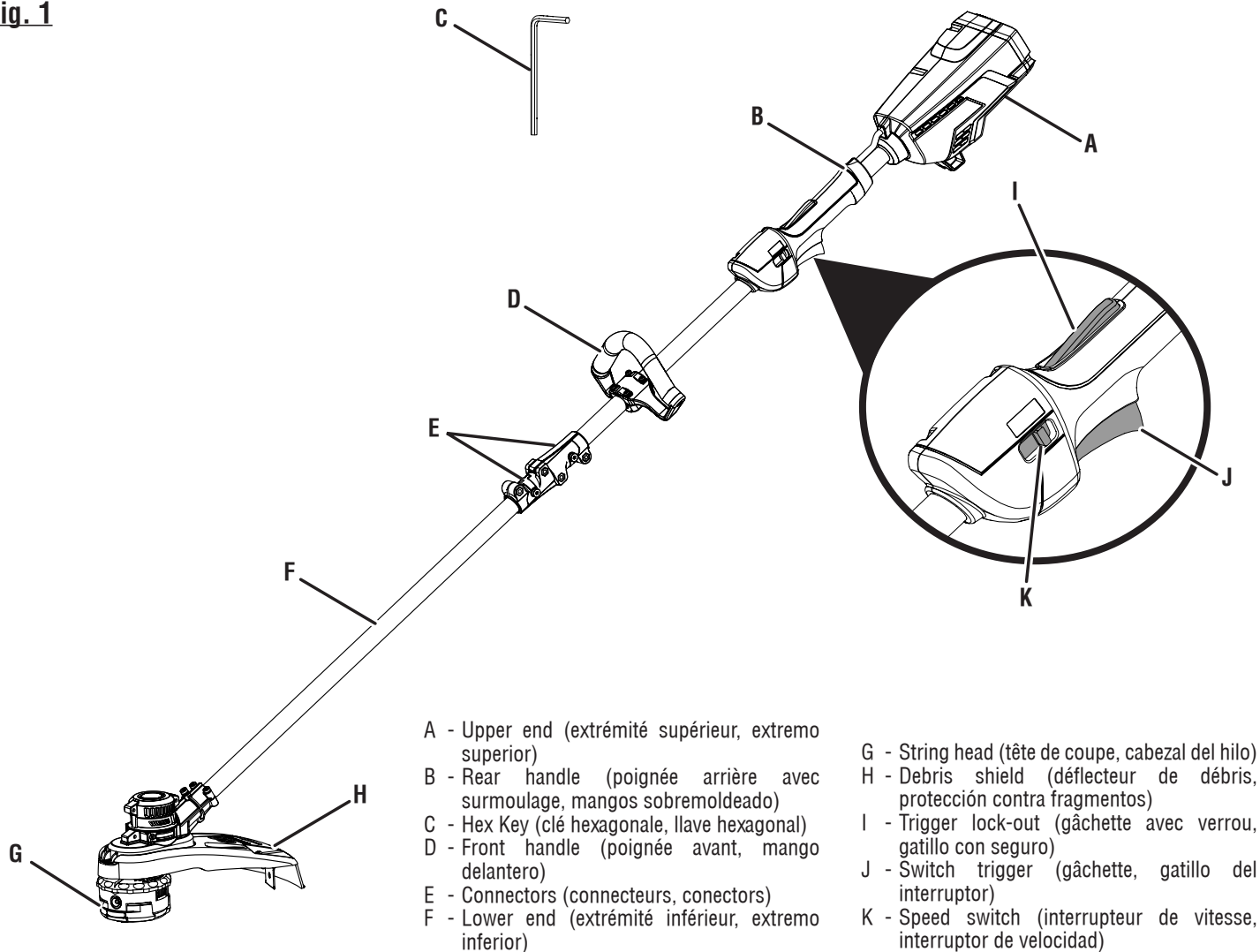
**GUARDE ESTE MANUAL  
PARA FUTURAS CONSULTAS**

**See this fold-out section for all of the figures referenced in the operator's manual.**

**Consulter l'encart à volets afin d'examiner toutes les figures mentionnées dans le manuel d'utilisation.**

**Consulte esta sección desplegable para ver todas las figuras a las que se hace referencia en el manual del operador.**

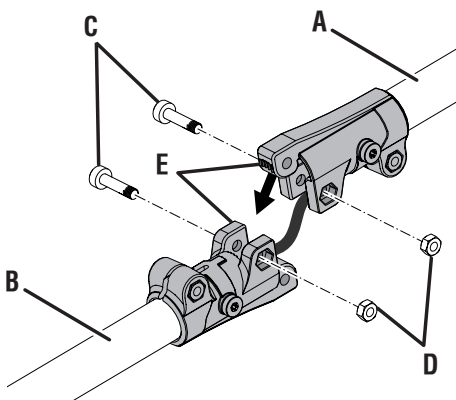
**Fig. 1**



- A - Upper end (extrémité supérieur, extremo superior)
- B - Rear handle (poignée arrière avec surmoulage, mangos sobremoldeado)
- C - Hex Key (clé hexagonale, llave hexagonal)
- D - Front handle (poignée avant, mango delantero)
- E - Connectors (connecteurs, conectors)
- F - Lower end (extrémité inférieur, extremo inferior)

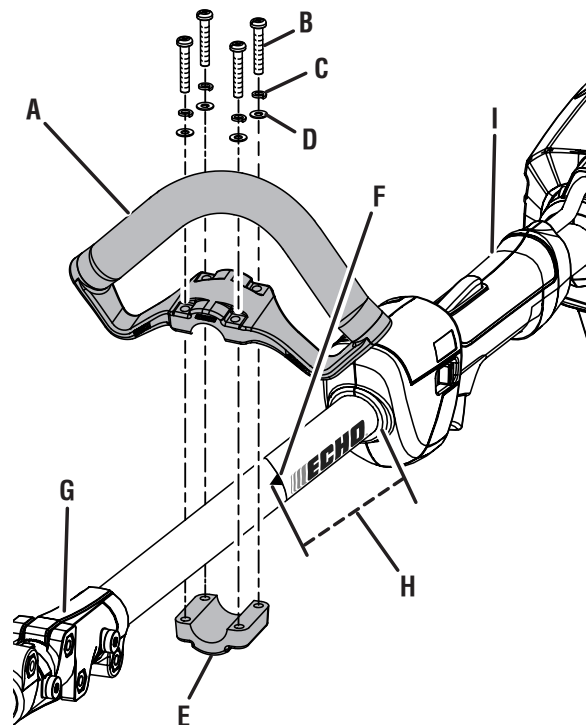
- G - String head (tête de coupe, cabezal del hilo)
- H - Debris shield (déflecteur de débris, protección contra fragmentos)
- I - Trigger lock-out (gâchette avec verrou, gatillo con seguro)
- J - Switch trigger (gâchette, gatillo del interruptor)
- K - Speed switch (interrupteur de vitesse, interruptor de velocidad)

**Fig. 2**



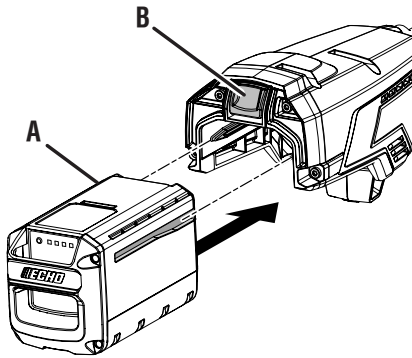
- A - Upper end (extrémité supérieur, extremo superior)
- B - Lower end (extrémité inférieur, extremo inferior)
- C - Bolt (boulon, perno)
- D - Nut (écrou, tuerca)
- E - Connectors (connecteurs, conectors)

**Fig. 3**



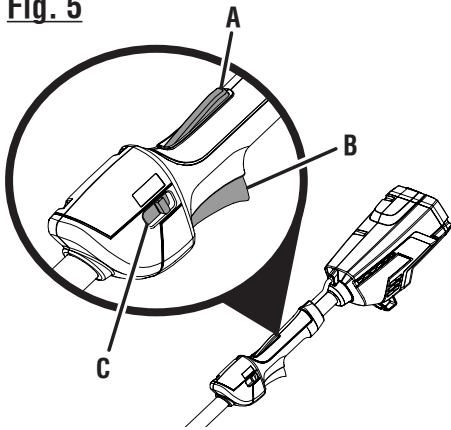
- A - Front handle (poignée avant, mango delantero)
- B - Bolt (boulon, perno)
- C - Lock washer (rondelle frein, arandela de seguridad)
- D - Flat washer (rondelle plate, arandela plana)
- E - Handle mounting bracket (support de montage de la poignée, soporte de montaje del mango)
- F - Arrow (flèche, flecha)
- G - Connector (connecteur, conector)
- H - Minimum acceptable distance (distance minimale acceptable, distancia mínima acceptable)
- I - Rear handle (poignée arrière avec surmoulage, mangos sobremoldeado)

**Fig. 4**



- A - Battery pack (bloc-piles, paquete de baterías)
- B - Latch (loquet, pestillo)

**Fig. 5**



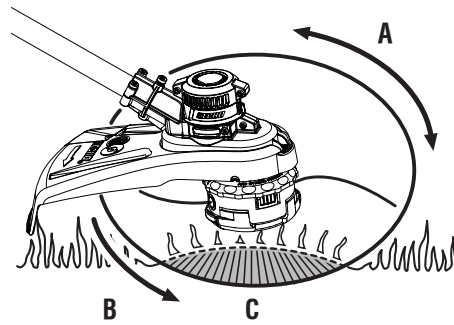
- A - Trigger lock-out (gâchette avec verrou, gatillo con seguro)
- B - Switch trigger (gâchette, gatillo del interruptor)
- C - Speed switch (commutateur de vitesse, interruptor de velocidad)

**Fig. 6**

**PROPER TRIMMER OPERATING POSITION  
TAILLE-BORDURE POSITION DE TRAVAIL  
POSICIÓN CORRECTA PARA EL MANEJO  
PARA RECORTAR**

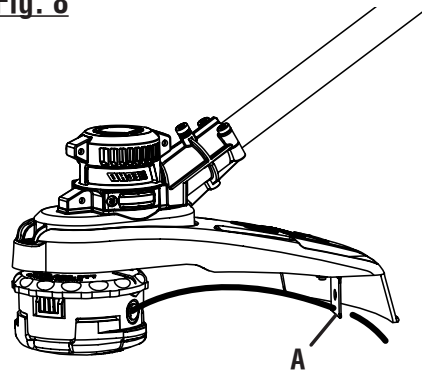


**Fig. 7**



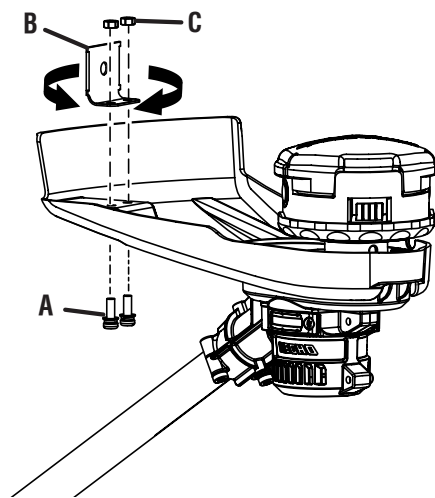
- A - Dangerous cutting area (zone de coupe dangereuse, área peligrosa de corte)
- B - Direction of rotation (sens de rotation, sentido de rotación)
- C - Best cutting area (zone d'efficacité maximum, mejor área de corte)

**Fig. 8**



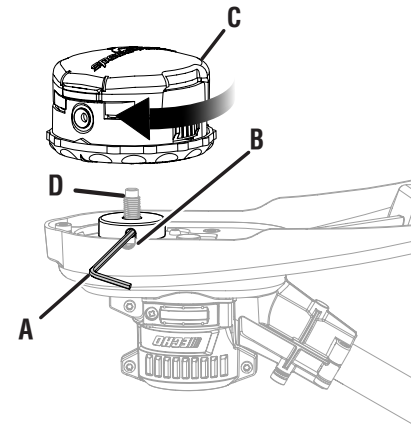
- A - Line cut-off blade (lame coupe-ligne, cuchilla de corte)

**Fig. 9**



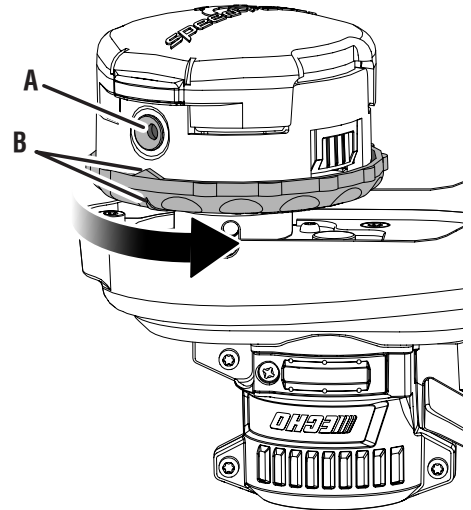
- A - Screw (vis, tornillo)
- B - Line cut-off blade (lame coupe-ligne, cuchilla de corte)
- C - Nut (écrou, tuerca)

**Fig. 10**



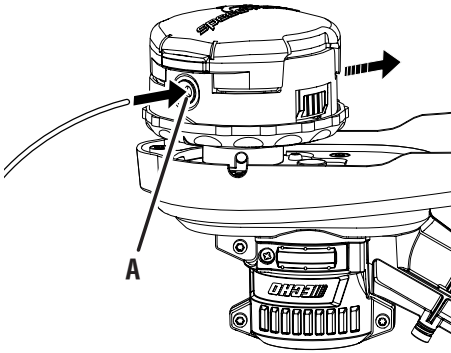
- A - Hex Key (clé hexagonale, llave hexagonal)
- B - Slot (fente, ranura)
- C - String head (tête à ligne de coupe, cabezal del hilo)
- D - Output shaft (arbre de sortie, eje de engranajes de salida)

**Fig. 11**



- A - Eyelet (œillet, ojo)
- B - Arrows on string head base (flèches sur la base de la tête de coupe, flechas en la base del cabezal de hilo)

**Fig. 12**



A - Insert line into eyelet (insérer le fil dans l'œillet, inserte el hilo en el ojillo)

---

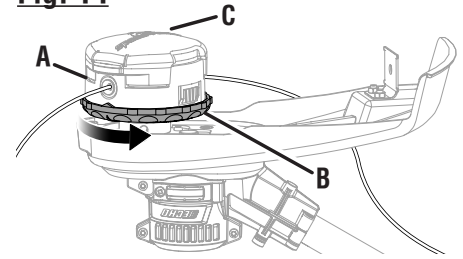
**Fig. 13**



A - Pull until line is equal on both sides (tirer jusqu'à ce que le fil soit égal des deux côtés, tire hasta que la línea sea similar en ambos lados)

---

**Fig. 14**



A - String head body (corps de la tête de coupe, cuerpo del cabezal de hilo)  
B - Rotate string head base to wind line on spool (tourner le base de la tête de coupe pour embobiner le fil sur la bobine, gire el base del cabezal de hilo para enrollar la línea en el carrete)  
C - String head face (face de la tête de coupe, superficie del cabezal de hilo)

---

# TABLE OF CONTENTS

## TABLE DES MATIÈRES / ÍNDICE DE CONTENIDO

---

|  |                               |
|--|-------------------------------|
| ■ Product Registration.....  | 2                             |
| Enregistrement du produit / Registro del producto  |                               |
| ■ Important Safety Instructions .....  | 3-4                           |
| Instructions importantes concernant la sécurité / Instrucciones de seguridad importantes |                               |
| ■ Symbols.....   | 5                             |
| Symboles / Símbolos  |                               |
| ■ Features.....  | 6                             |
| Caractéristiques / Características   |                               |
| ■ Assembly .....   | 6-7                           |
| Assemblage / Armado  |                               |
| ■ Operation.....   | 7-9                           |
| Utilisation / Funcionamiento   |                               |
| ■ Maintenance.....   | 9-10                          |
| Entretien / Mantenimiento  |                               |
| ■ Troubleshooting.....   | 10                            |
| Dépannage / Corrección de problemas  |                               |
| ■ Warranty .....   | 11                            |
| Garantie / Garantía  |                               |
| ■ Parts Ordering and Service .....   | Back Page                     |
| Comande de pièces et réparation / Pedidos de piezas y servicio .....                     | Page arrière / Pág. posterior |

## PRODUCT REGISTRATION

### ENREGISTREMENT DU PRODUIT / REGISTRO DEL PRODUCTO

---

#### Thank you for choosing ECHO Power Equipment

Please go to <http://www.echo-usa.com/Warranty/Register-Your-ECHO> OR  
<https://register.echocordless.com> to register your new product online. It's **FAST** and **EASY!**

**NOTE:** Your information will never be sold or misused by ECHO, Inc. Registering your purchase enables us to contact you in the unlikely event of a service update or product recall, and verifies your ownership for warranty consideration.

\* \* \*

#### Merci d'avoir choisi ECHO Power Equipment

S'il vous plaît allez sur (<http://www.echo-usa.com/Warranty/Register-Your-ECHO> OU  
<https://register.echocordless.com>) afin d'enregistrer vos unités neuves en ligne. C'est **rapide** et **facile!**

**NOTE :** Vos informations ne seront jamais vendues ou utilisées inadéquatement par ECHO INC. L'enregistrement des unités nous permet de vous contacter dans l'éventualité improbable d'un rappel ou d'une mise à niveau technique ainsi que certifier que vous en êtes le propriétaire en cas de besoin d'une réparation sous garantie.

\* \* \*

#### Gracias por elegir ECHO Power Equipment

Por favor, ingrese a sitio web <http://www.echo-usa.com/Warranty/Register-Your-ECHO> O  
<https://register.echocordless.com> para registrar su nuevo producto en línea. Es **RAPIDO** y **FACIL!**

**NOTA:** Su información nunca será vendida o mal utilizada por ECHO, Inc. El registro de su compra nos permite comunicarnos con usted en el caso de una actualización de servicio, o el retiro del producto del mercado, y verificar la propiedad de su producto para consideraciones de garantía.

# IMPORTANT SAFETY INSTRUCTIONS

## **⚠ WARNING!**

***When using electric gardening appliances, basic safety precautions should always be followed to reduce the risk of fire, electric shock and personal injury.***

### **Read All Instructions**

- For safe operation, read and understand all instructions before using this product. Follow all safety instructions. Failure to follow all safety instructions listed below, can result in serious personal injury.
- Do not allow children or untrained individuals to use this unit.
- Check the work area before each use. Remove all objects such as rocks, broken glass, nails, wire, or string which can be thrown or become entangled in the machine.
- Always wear eye protection with side shields marked to comply with ANSI Z87.1. Following this rule will reduce the risk of serious personal injury.
- Use Safety Glasses – Wear a face or dust mask if the operation is dusty. Always wear safety glasses with side shields. Everyday glasses have only impact resistant lenses. They are NOT safety glasses. Following this rule will reduce the risk of eye injury.
- Protect your lungs. Wear a face or dust mask if the operation is dusty. Following this rule will reduce the risk of serious personal injury.
- Dress Properly – Do not wear loose clothing or jewelry. They can be caught in moving parts. Use of rubber gloves and substantial footwear is recommended when working outdoors. Wear heavy, long pants, long sleeves, boots, and gloves. Do not wear short pants, sandals, or go barefoot. Do not wear jewelry of any kind.
- Secure long hair above shoulder level to prevent entanglement in moving parts.
- Keep children away – Keep all bystanders, children, and pets at least 50 ft. away.
- Stay alert - Watch what you are doing. Use common sense. Do not operate this unit when you are tired, ill, or under the influence of alcohol, drugs, or medication.
- Do not operate in poor lighting.
- Keep all parts of your body away from any moving part.
- Do not operate power tools in explosive atmospheres, such as in the presence of flammable liquids, gases, or dust. Power tools create sparks which may ignite the dust or fumes.
- Avoid body contact with grounded surfaces such as pipes, radiators, ranges, and refrigerators. There is an increased risk of electric shock if your body is grounded.
- Avoid Dangerous Environments – Don't expose appliance or string trimmer to rain or wet conditions. Water entering an appliance or string trimmer will increase the risk of electric shock.
- Use Right Appliance – Do not force tool. Use the correct tool for your application. The correct tool will do the job better and safer at the rate for which it is designed.
- Don't Force Appliance – It will do the job better and with less likelihood of a risk of injury at the rate for which it was designed.
- Do not operate the equipment while barefoot or when wearing sandals or similar lightweight footwear. Wear protective footwear that will protect your feet and improve your footing on slippery surfaces.
- Do not overreach – Keep firm footing and balance. Overreaching can result in loss of balance.
- Avoid accidental starting – Be sure switch trigger is in the locked or off position before inserting battery pack. Carrying tools with your finger on the switch trigger or inserting the battery pack into a tool with the switch on invites accidents.
- Do not use tool if switch trigger does not turn it on or off. Any tool that cannot be controlled with the switch trigger is dangerous and must be repaired.
- Disconnect battery pack – Disconnect battery pack from the appliance before servicing or changing accessories such as cutting line. Such preventive safety measures reduce the risk of starting the tool accidentally.
- Use only identical manufacturer's replacement parts and accessories. Use of any other parts may create a hazard or cause product damage.
- Maintain appliance with care – Replace string head if cracked, chipped, or damaged in any way. Be sure the string head is properly installed and securely fastened. Failure to do so can cause serious injury. Keep handles dry, clean and free from oil and grease.
- Check for damaged parts – Before further use of the tool, any part that is damaged should be carefully checked to determine that it will operate properly and perform its intended function. Check for alignment of moving parts, binding of moving parts, breakage of parts, mounting, and any other conditions that may affect its operation. A guard or other part that is damaged should be properly repaired or replaced by an authorized service dealer.
- Make sure all guards, straps, deflectors and handles are properly and securely attached.
- Use only the manufacturer's replacement line in the cutting head. Do not use any other cutting attachment, for example, metal wire, rope, or the like. To install any other brand of cutting head to this string trimmer can result in serious personal injury.
- Never operate unit without the grass deflector in place and in good condition.
- Maintain a firm grip on both handles while trimming. Keep string head below waist level. Never cut with the string head located over 30 in. or more above the ground.



# IMPORTANT SAFETY INSTRUCTIONS




---

- Store idle appliances indoors – When not in use, string trimmer should be stored indoors in a dry, locked place out of the reach of children.
- Never use blades, flailing devices, wire or rope. Unit is designed for line trimmer use only. Use of any other accessories or attachments will increase the risk of injury.
- Inspect area to be cut. Remove objects (rocks, broken glass, nails, wire, string, etc.) which can be thrown or become entangled in cutting head.
- Keep the air vents clean and free of debris to avoid overheating the motor. Clean after each use.
- Stop the unit and disconnect the power source when not in use. Carry the unit with the motor stopped.
- Store out of the reach of children.
- Do not hang unit so that the switch trigger is depressed.
- Battery tools do not have to be plugged into an electrical outlet; therefore, they are always in operating condition. Be aware of possible hazards when not using your battery tool or when changing accessories. Always engage the lock-out lever before placing the trimmer on the wall-mounted charger. Following this rule will reduce the risk of electric shock, fire, or serious personal injury.
- Use appliances only with specifically designated battery packs. Use of any other battery packs may create a risk of injury and fire.
- Recharge only with the charger specified by the manufacturer. A charger that is suitable for one type of battery pack may create a risk of fire when used with another battery pack.
- When battery pack is not in use, keep it away from other metal objects, like paper clips, coins, keys, nails, screws or other small metal objects, that can make a connection from one terminal to another. Shorting the battery terminals together may cause burns or a fire.
- Follow all charging instructions and do not charge the battery pack or appliance outside of the temperature range specified in the instructions. Charging improperly or at temperatures outside of the specified range may damage the battery and increase the risk of fire.
- Have servicing performed by a qualified repair person using only identical replacement parts. This will ensure that the safety of the product is maintained.
- Do not modify or attempt to repair the appliance or the battery pack except as indicated in the instructions for use and care.
- Under abusive conditions, liquid may be ejected from the battery; avoid contact. If contact accidentally occurs, flush with water. If liquid contacts eyes, additionally seek medical help. Liquid ejected from the battery may cause irritation or burns.
- Do not use a battery pack or appliance that is damaged or modified. Damaged or modified batteries may exhibit unpredictable behavior resulting in fire, explosion or risk of injury.
- Do not expose a battery pack or appliance to fire or excessive temperature. Exposure to fire or temperature above 265°F may cause explosion.
- Do not charge battery tool in rain, or damp or wet location. Following this rule will reduce the risk of electric shock.
- Do not use battery-operated appliance in rain.
- Remove or disconnect battery when not charging, and before servicing, cleaning, removing material from the gardening appliance, or storing.
- Use battery only with charger listed. For use with 58 V lithium-ion battery packs. See Tool/Appliance/Battery Pack/Charger Correlation Supplement 991000233.
- Do not dispose of the batteries in a fire. The cell may explode. Check with local codes for possible special disposal instructions.
- Do not open or mutilate the batteries. Released electrolyte is corrosive and may cause damage to the eyes or skin. It may be toxic if swallowed.
- Do not place battery tools or their batteries near fire or heat. This will reduce the risk of explosion and possibly injury.
- Batteries can explode in the presence of a source of ignition, such as a pilot light. To reduce the risk of serious personal injury, never use any cordless product in the presence of open flame. An exploded battery can propel debris and chemicals. If exposed, flush with water immediately.
- Do not crush, drop or damage battery pack. Do not use a battery pack or charger that has been dropped or received a sharp blow. A damaged battery is subject to explosion. Properly dispose of a dropped or damaged battery immediately.
- For best results, your battery tool should be charged in a location where the temperature is more than 50°F but less than 100°F. To reduce the risk of serious personal injury, do not store outside or in vehicles.
- Under extreme usage or temperature conditions, battery leakage may occur. If liquid comes in contact with your skin, wash immediately with soap and water. If liquid gets into your eyes, flush them with clean water for at least 10 minutes, then seek immediate medical attention. Following this rule will reduce the risk of serious personal injury.
- Save these instructions. Refer to them frequently and use them to instruct others who may use this power tool. If you loan someone this power tool, loan them these instructions also.











# SYMBOLS

The following signal words and meanings are intended to explain the levels of risk associated with this product.

| SYMBOL  | SIGNAL          | MEANING  |
|---|-----------------|--|
|  | <b>DANGER:</b>  | Indicates a hazardous situation, which, if not avoided, will result in death or serious injury.  |
|  | <b>WARNING:</b> | Indicates a hazardous situation, which, if not avoided, could result in death or serious injury.   |
|  | <b>CAUTION:</b> | Indicates a hazardous situation, that, if not avoided, may result in minor or moderate injury.   |
|   | <b>NOTICE:</b>  | (Without Safety Alert Symbol) Indicates information considered important, but not related to a potential injury (e.g. messages relating to property damage). |

Some of the following symbols may be used on this product. Please study them and learn their meaning. Proper interpretation of these symbols will allow you to operate the product better and safer.

| SYMBOL  | NAME                   | DESIGNATION/EXPLANATION   |
|---|------------------------|---|
|    | Safety Alert           | Indicates a potential personal injury hazard.   |
|    | Read Operator's Manual | To reduce the risk of injury, user must read and understand operator's manual before using this product.  |
|   | Eye Protection         | Always wear eye protection with side shields marked to comply with ANSI Z87.1.  |
|  | Wet Conditions Alert   | Do not expose to rain or use in damp locations.   |
|  | Keep Bystanders Away   | Keep all bystanders at least 50 ft. away.   |
|  | Ricochet               | Thrown objects can ricochet and result in personal injury or property damage.   |
|  | No Blade               | Do not install or use any type of blade on a product displaying this symbol.  |
|  | Recycle Symbol         | This product uses lithium-ion (Li-ion) batteries. Local, state, or federal laws may prohibit disposal of batteries in ordinary trash. Consult your local waste authority for information regarding available recycling and/or disposal options. |
| — — —   | Direct Current         | Type or a characteristic of current   |
| $n_0$   | No Load Speed          | Rotational speed, at no load  |
| .../min   | Per Minute             | Revolutions, strokes, surface speed, orbits etc., per minute  |
| V   | Volts                  | Voltage   |
| Hz  | Hertz                  | Frequency (cycles per second)   |
| min   | Minutes                | Time  |

# FEATURES

## Product Specifications

Motor..... 58 Volt DC  
Cutting Swath..... 14 in./16 in.

Line Size..... 0.080 in. diameter round/twisted  
0.095 in. diameter twisted/octagonal line

## Know Your String Trimmer

See Figure 1.

The safe use of this product requires an understanding of the information on the tool and in this operator's manual as well as a knowledge of the project you are attempting. Before use of this product, familiarize yourself with all operating features and safety rules.

## Adjustable Cutting Diameter

The cutting diameter is adjustable from 14 in. and 16 in. by rotating the line cutoff blade.

## Brushless Motor

This product features a brushless motor that maximizes power and performance as well as battery run time.

## Debris Shield

The trimmer includes a debris shield that helps protect you from flying debris.

## Handle Overmold

Handle overmold provides added user comfort.

## Speed Switch

This tool has a speed selector that allows the operator to choose between HI and LOW speeds. Using low speed during operation can help extend battery run time, while using high speed will improve power and performance.

## Trigger Lock-Out

The trigger lock-out helps prevent accidental starting.

# ASSEMBLY

## Unpacking

This product requires assembly.

- Carefully remove the product and any accessories from the box. Make sure that all items listed in the packing list are included.

### WARNING

***Do not use this product if any parts on the Packing List are already assembled to your product when you unpack it. Parts on this list are not assembled to the product by the manufacturer and require customer installation. Use of a product that may have been improperly assembled could result in serious personal injury.***

- Inspect the product carefully to make sure no breakage or damage occurred during shipping.
- Do not discard the packing material until you have carefully inspected and satisfactorily operated the product.
- If any parts are damaged or missing, please call 1-877-396-3036 for assistance.

## Packing List

String Trimmer  
Front Handle with Hardware  
0.080 in. Replacement Line  
Bolts (2)  
Nuts (2)  
Hex Key  
Safety Glasses  
Operator's Manual

### WARNING

***If any parts are damaged or missing do not operate this product until the parts are replaced. Use of this product with damaged or missing parts could result in serious personal injury.***

### WARNING

***Do not attempt to modify this product or create accessories not recommended for use with this product. Any such alteration or modification is misuse and could result in a hazardous condition leading to possible serious personal injury.***

# ASSEMBLY

---

## WARNING

*To prevent accidental starting that could cause serious personal injury, always remove the battery pack from the product when assembling parts.*

### Assembling the Tool

See Figure 2.

- Remove bolts and nuts from the hardware bag.
- Align the connector on the upper end of the tool with the connector on the lower end of the tool.
- Slide the connectors together and, using the hex key provided, secure with bolts and nuts. Tighten securely.

**NOTE:** Orient the nuts so that they sit in the recessed areas on the connectors.

## WARNING

*Failure to properly assemble the tool as describe above could result in the tool separating and cause serious personal injury.*

## CAUTION

*Be careful when sliding the two ends together to avoid pinching your hands or fingers.*

## WARNING

*This string trimmer is not capable of using other attachments or cutting heads. Attempting to use other attachments or cutting heads could result in serious personal injury.*

### Attaching the Front Handle

See Figure 3.

- Remove the bolts, flat washers, and lock washers from the front handle.
- Install the handle between the arrow and the connector on the upper end of the tool.

**NOTE:** When properly installed, the front handle will angle toward the operator.

- Adjust handle up or down, if necessary, to desired operating position.

**NOTE:** The front handle should always be placed beyond the arrow. This is the minimum acceptable distance between the front and rear handle.

- Reinstall the washers and bolts; tighten securely.

# OPERATION

---

## WARNING

*Do not allow familiarity with products to make you careless. Remember that a careless fraction of a second is sufficient to inflict serious injury.*

## WARNING

*Always wear eye protection with side shields marked to comply with ANSI Z87.1. Failure to do so could result in objects being thrown into your eyes, resulting in possible serious injury.*

## WARNING

*Never use blades, flailing devices, wire, or rope on this product. Do not use any attachments or accessories not recommended by the manufacturer of this product. The use of attachments or accessories not recommended can result in serious personal injury.*

## NOTICE

*Before each use, inspect the entire product for damaged, missing, or loose parts such as screws, nuts, bolts, caps, etc. Tighten securely all fasteners and caps and do not operate this product until all missing or damaged parts are replaced. Please contact customer service or an authorized service center for assistance.*

# OPERATION

This product will accept Echo 58 V lithium-ion battery packs only.

For complete charging instructions, refer to the Operator's Manuals for your ECHO battery pack and charger models.

## WARNING

**Always remove battery pack from your tool when you are assembling parts, making adjustments, cleaning, or when not in use. Removing battery pack will prevent accidental starting that could cause serious personal injury.**

## Installing/Removing Battery Pack

See Figure 4.

### To install battery pack:

- Align grooves on battery pack with raised ribs in the tool's battery port and place the battery pack in the tool.

## WARNING

**Make sure the latch on the tool snaps in place and the battery pack is fully seated and secure in the battery port before beginning operation. Failure to securely seat the battery pack could cause the battery pack to fall out, resulting in serious personal injury.**

### To remove battery pack:

- Press the battery latch button on the tool and pull the battery pack out using the handle.

## WARNING

**To avoid serious personal injury, always remove the battery pack and keep hands clear of the trigger lock-out when carrying or transporting the tool.**

## Starting/Stopping the String Trimmer

See Figure 5.

### To start:

- Select the desired operating speed (HI or LOW).
- Press and hold the trigger lock-out.
- Depress the switch trigger.

### To stop:

- Release the switch trigger to stop the string trimmer.
- Release the trigger lock-out, which will automatically reset to the locked position.

## Operating the Trimmer

See Figure 6.

## WARNING

**Always hold the string trimmer away from the body keeping clearance between the body and the string trimmer. Any contact with the string trimmer cutting head while operating can result in serious personal injury.**

Hold the trimmer with your right hand on the rear handle and your left hand on the front handle. Keep a firm grip with both hands while in operation. Trimmer should be held at a comfortable position with the rear handle about hip height.

Cut tall grass from the top down. This will prevent grass from wrapping around the boom housing and string head which may cause damage from overheating. If grass becomes wrapped around the string head, STOP THE MOTOR, remove the battery pack, and remove the grass.

## Cutting Tips

See Figure 6 - 7.

- Avoid hot surfaces by always keeping the tool away from your body. (Proper operating position shown in figure 6.)
- Keep the trimmer tilted toward the area being cut; this is the best cutting area.
- The trimmer cuts when passing the unit from left to right. This will avoid throwing debris at the operator. Avoid cutting in the dangerous area shown in figure 7.
- Use the tip of line to do the cutting; do not force string head into uncut grass.
- Wire and picket fences cause extra line wear and breakage. Stone and brick walls, curbs, and wood may wear line rapidly.
- Avoid trees and shrubs. Tree bark, wood moldings, siding, and fence posts can easily be damaged by the line.

## Advancing Line

- Run motor with the switch trigger fully pressed.
- Tap string head on ground to advance line. Line advances each time the head is tapped.  
**NOTE:** Several taps may be required until line strikes the cut off blade.
- Resume trimming.

**NOTE:** If the line is worn too short you may not be able to advance the line by tapping it on the ground. If so, STOP THE MOTOR, remove the battery pack, and manually advance the line.

### To advance the line manually:

- Stop the unit and remove the battery pack.
- Press the face of the string head, then pull on line(s) to manually advance.

# OPERATION

## WARNING

*The line cut-off blade on the debris shield is sharp. Avoid contact with the blade. Failure to avoid contact can result in serious personal injury.*

### Line Trimming Cut-Off Blade

See Figures 8 - 9.

The trimmer is equipped with a line trimming cut-off blade on the debris shield. For best cutting, advance line until it is trimmed to length by the cut-off blade. Advance the line

whenever you hear the engine running faster than normal, or when trimming efficiency diminishes. This will maintain best performance and keep the line long enough to advance properly.

This trimmer is currently set at the 16 in. cutting swath. To adjust to a cutting swath of 14 in.:

- Stop the motor and remove the battery pack.
- Remove the blade screws and nuts.
- Rotate the line cut-off blade 180°.
- Reinstall the blade screws and nuts. Tighten securely.

# MAINTENANCE

## WARNING

*Before inspecting, cleaning, or servicing the machine, shut off motor, wait for all moving parts to stop, and remove battery. Failure to follow these instructions can result in serious personal injury or property damage.*

## WARNING

*Always wear eye protection with side shields marked to comply with ANSI Z87.1. Failure to do so could result in objects being thrown into your eyes, resulting in possible serious injury.*

## WARNING

*When servicing, use only identical replacement parts. Use of any other parts may create a hazard or cause product damage.*

## WARNING

*Periodically inspect the entire product for damaged, missing, or loose parts such as screws, nuts, bolts, caps, etc. Tighten securely all fasteners and caps and do not operate this product until all missing or damaged parts are replaced. Please contact customer service or an authorized service center for assistance.*

### General Maintenance

Avoid using solvents when cleaning plastic parts. Most plastics are susceptible to damage from various types of commercial solvents and may be damaged by their use. Use clean cloths to remove dirt, dust, oil, grease, etc.

## WARNING

*Do not at any time let brake fluids, gasoline, petroleum-based products, penetrating oils, etc., come in contact with plastic parts. Chemicals can damage, weaken or destroy plastic which can result in serious personal injury.*

### String Head Replacement

See Figure 10.

The string head should be replaced whenever damage is visible or if the wear indicators on the face are worn smooth. If replacing line only, refer to **Line Replacement** later in this manual.

- Stop the unit and remove the battery pack.
- Place the hex key through the slot in the debris shield and output shaft.
- Rotate the string head clockwise until it can be removed from the output shaft.
- Install the new string head and rotate counterclockwise to secure.

### Line Replacement

See Figures 11 - 14.

Use 0.080 in. diameter round, 0.080 in. twisted, 0.095 in. twisted or 0.095 in. octagonal trimmer line only.

- Stop the unit and remove the battery pack.
- Rotate the string head as necessary to align the eyelets in the string head housing with the arrows on the base of the string head.
- Cut one piece of trimmer line 12 ft. long. Insert the line into the eyelet on the string trimmer housing. Push until the end of the line comes out the other side of the string head. Pull the line from the other side until equal amounts of line appear on both sides.

# MAINTENANCE

---

- While holding the string head body, rotate the string head base counter-clockwise to wind the line on the spool until approximately 6 in. of line is showing on each side.
- Push down on the string head face while pulling on line(s) to manually advance the line and to check for proper assembly of the string head.

## Storing the Trimmer

- Remove the battery pack from the string trimmer before storing.
- Clean all foreign material from the trimmer.
- Store it in a place that is inaccessible to children.
- Keep away from corrosive agents such as garden chemicals and de-icing salts.

# TROUBLESHOOTING

---

| Problem   | Possible Cause                                   | Solution  |
|---|--|---|
| Line will not advance                                 | Line is welded to itself.                        | Lubricate with silicone spray.  |
|   | Not enough line on spool.                        | Install more line. Refer to <b>Line Replacement</b> earlier in this manual.   |
|   | Line is worn too short.                          | Pull line while pushing down on string head face.   |
|   | Line is tangled on spool.                        | Remove line from spool and rewind. Refer to <b>Line Replacement</b> earlier in this manual.   |
|   | Spool in string head is not installed correctly. | If the string head has been disassembled for any reason, make sure the side of the spool stamped with the letter L is facing out when reassembled.                          |
| Grass wraps around boom housing and string head       | Cutting tall grass at ground level.              | Cut tall grass from the top down to prevent wrapping.   |
| Motor fails to start when switch trigger is depressed | Battery is not secure.                           | To secure the battery pack, make sure the battery is fully seated and the latch on the tool is snapped into place.  |
|   | Battery is not charged.                          | Charge the battery pack according to the instructions included with your model.   |
| Motor stops while switch trigger is depressed.        | Motor is overloaded.                             | Release switch trigger, wait several seconds, then depress trigger again. Motor should restart. If it doesn't, remove battery pack, reinstall battery pack, then try again. |



# WARRANTY

---

## Limited Warranty Statement

OWT Industries, Inc., warrants to the original retail purchaser that this ECHO brand 58 V outdoor product is free from defects in material and workmanship and agrees to repair or replace, at OWT Industries, Inc.'s, and/or ECHO Incorporated's, discretion, any defective product free of charge within these time periods from the date of purchase.

- Five years if the product is used for personal, family, or household use;
- Two years on products used for commercial use;
- Ninety days for all products used for rental use.

This warranty extends to the original retail purchaser only and commences on the date of the original retail purchase.

Any part of this product found in the reasonable judgment of OWT Industries, Inc., and/or ECHO Incorporated, to be defective in material or workmanship will be repaired or replaced without charge for parts and labor by an authorized service center for ECHO brand 58 V outdoor products. Repair parts and accessories replaced under this warranty are warranted only for the balance of the original warranty period.

The product, including any defective part, must be returned to an authorized service center for ECHO brand 58 V outdoor products within the warranty period. The expense of delivering the product to the service center for warranty work and the expense of returning it back to the owner after repair or replacement will be paid by the owner. OWT Industries, Inc.'s, and ECHO Incorporated's, responsibility in respect to claims is limited to making the required repairs or replacements and no claim of breach of warranty shall be cause for cancellation or rescission of the contract of sale of any ECHO brand 58 V outdoor product. Proof of purchase will be required by the dealer to substantiate any warranty claim. All warranty work must be performed by an authorized service center for ECHO brand 58 V outdoor products.

This warranty does not cover any product that has been subject to misuse, neglect, negligence, or accident, or that has been operated in any way contrary to the operating instructions as specified in this operator's manual. This warranty does not apply to any damage to the product that is the result of improper maintenance or to any product that has been altered or modified. The warranty does not extend to repairs made necessary by normal wear or by the use of parts or accessories which are either incompatible with the ECHO brand 58 V outdoor product or adversely affect its operation, performance, or durability. In addition, this warranty does not cover wear to normal items such as, but not limited to:

Wear items – Bump Knobs, Outer Spools, Cutting Lines, Inner Reels, Drive Belts, Tines, Felt Washers, Hitch Pins, Mulching Blades, Blower Fans, Blower and Vacuum Tubes, Vacuum Bag and Straps, Guide Bars, Saw Chains

OWT Industries, Inc., and ECHO Incorporated, reserves the right to change or improve the design of this product without assuming any obligation to modify any product previously manufactured.

ALL IMPLIED WARRANTIES ARE LIMITED IN DURATION TO THE STATED WARRANTY PERIOD. ACCORDINGLY, ANY SUCH IMPLIED WARRANTIES INCLUDING MERCHANTABILITY, FITNESS FOR A PARTICULAR PURPOSE, OR OTHERWISE, ARE DISCLAIMED IN THEIR ENTIRETY AFTER THE EXPIRATION OF THE APPROPRIATE FIVE-YEAR, TWO-YEAR, OR 90 DAY WARRANTY PERIOD. OWT INDUSTRIES, INC.'S, AND ECHO INCORPORATED'S, OBLIGATION UNDER THIS WARRANTY IS STRICTLY AND EXCLUSIVELY LIMITED TO THE REPAIR OR REPLACEMENT OF DEFECTIVE PARTS AND OWT INDUSTRIES, INC., AND ECHO INCORPORATED, DO NOT ASSUME OR AUTHORIZE ANYONE TO ASSUME FOR THEM ANY OTHER OBLIGATION. SOME STATES DO NOT ALLOW LIMITATIONS ON HOW LONG AN IMPLIED WARRANTY LASTS, SO THE ABOVE LIMITATION MAY NOT APPLY TO YOU. OWT INDUSTRIES, INC., AND ECHO INCORPORATED, ASSUME NO RESPONSIBILITY FOR INCIDENTAL, CONSEQUENTIAL, OR OTHER DAMAGES INCLUDING, BUT NOT LIMITED TO, EXPENSE OF RETURNING THE PRODUCT TO AN AUTHORIZED SERVICE CENTER FOR ECHO BRAND 58 V OUTDOOR PRODUCTS AND EXPENSE OF DELIVERING IT BACK TO THE OWNER, MECHANIC'S TRAVEL TIME, TELEPHONE OR TELEGRAM CHARGES, RENTAL OF A LIKE PRODUCT DURING THE TIME WARRANTY SERVICE IS BEING PERFORMED, TRAVEL, LOSS OR DAMAGE TO PERSONAL PROPERTY, LOSS OF REVENUE, LOSS OF USE OF THE PRODUCT, LOSS OF TIME, OR INCONVENIENCE. SOME STATES DO NOT ALLOW THE EXCLUSION OR LIMITATION OF INCIDENTAL OR CONSEQUENTIAL DAMAGES, SO THE ABOVE LIMITATION OR EXCLUSION MAY NOT APPLY TO YOU.

This warranty gives you specific legal rights, and you may also have other rights which vary from state to state.

This warranty applies to all ECHO brand 58 V outdoor products manufactured by or for OWT Industries, Inc., and/or ECHO Incorporated, and sold in the United States and Canada.

To locate your nearest authorized service center for ECHO brand 58 V outdoor products, visit [www.echocordless.com](http://www.echocordless.com) or dial 1-877-396-3036.



# INSTRUCTIONS IMPORTANTES CONCERNANT LA SÉCURITÉ

## **⚠ AVERTISSEMENT !**

*Lors de l'utilisation d'outils de jardinage électriques, toujours suivre les consignes de sécurité de base pour éviter les risques d'incendie, d'électrocution et de blessures.*

### **Lire toutes les instructions**

- Pour travailler en toute sécurité, lire et veiller à bien comprendre toutes les instructions avant d'utiliser ce produit. Respecter toutes les instructions de sécurité. Le non respect des instructions de sécurité ci-dessous peut entraîner des blessures graves.
- Ne pas laisser des enfants ou personnes n'ayant pas reçu une formation adéquate utiliser cet produit.
- Examiner la zone de travail avant chaque utilisation. Débarrasser tous les objets tels que cailloux, verre brisé, clous, fils métalliques, cordes, etc. risquant d'être éjectés ou de se prendre dans la machine.
- Toujours porter une protection oculaire avec écrans latéraux certifiée conforme à la norme ANSI Z87.1. Le respect de cette règle réduira les risques de blessures graves.
- Utiliser les lunettes de sûreté – Porter un masque facial ou un masque anti-poussière si le travail produit de la poussière. Toujours porter des lunettes de sécurité avec écrans latéraux. Les lunettes de vue ordinaires ne sont munies que de verres résistants aux chocs. Ce ne sont PAS des lunettes de sécurité. Le respect de cette règle réduira les risques de choc électrique.
- Protection respiratoire. Porter un masque facial ou un masque antipoussière si le travail produit de la poussière. Le respect de cette consigne réduira les risques de blessures graves.
- Porter des vêtements appropriés – Ne pas porter de vêtements amples ni de bijoux. Ils peuvent se coincer dans les pièces mobiles. Il est recommandé de porter des gants en caoutchouc et des bons souliers pour travailler à l'extérieur. Porter des pantalons longs et épais, des manches longues, des bottes et des gants. Ne pas porter de shorts, sandales et ne pas travailler pieds nus. Ne porter aucun bijou.
- Attacher les cheveux longs pour les maintenir au-dessus des épaules, afin qu'ils ne se prennent pas dans les pièces en mouvement.
- Tenez les enfants éloignés – Garder les badauds, enfants et animaux domestiques à une distance minimum de 15 m (50 pi).
- Rester alerte — Se concentrer sur son travail. Faire preuve de bon sens. Ne pas utiliser ce taille-bordures en état de fatigue, si l'on est souffrant, si vous êtes bouleversé, ou sous l'influence de l'alcool, de drogues ou de médicaments.
- Ne pas travailler sous un éclairage insuffisant.
- Garder toutes les parties du corps à l'écart des pièces en mouvement.
- Ne pas utiliser d'outils électriques dans des atmosphères explosives, par exemple en présence de liquides, gaz ou poussières inflammables. Les outils électriques produisent des étincelles risquant d'enflammer les poussières ou vapeurs.
- Éviter tout contact du corps avec des surfaces mises à la terre, telles que tuyaux, radiateurs, cuisinières et réfrigérateurs. Le risque de choc électrique est accru lorsque le corps est mis à la terre.




- Éviter les environnements dangereux — Ne pas exposer l'appareil ou à la pluie ou le taille-bordures à l'humidité. La pénétration d'eau dans ces outils ou le taille-bordures accroît le risque de choc électrique.
- Utiliser les appareils appropriés – Ne pas forcer l'outil. Un outil approprié exécutera le travail mieux et de façon moins dangereuse s'il est utilisé dans les limites prévues.
- Ne pas forcer appareil – Il sera plus efficace et présentera moins de risques de blessures s'il est utilisé dans les limites de ses spécifications.
- Ne pas faire fonctionner l'équipement pied-nu ou en portant des sandales ou des chaussures légères similaires. Porter des chaussures de protection qui protègent vos pieds et améliorent votre équilibre sur des surfaces glissantes.
- Ne pas travailler hors de portée – Se tenir bien campé et en équilibre. Cette façon de travailler pourrait vous faire perdre l'équilibre.
- Éviter les démarrages accidentels – S'assurer que la gâchette est verrouillée en position d'arrêt avant d'insérer le bloc piles. Le transport d'outils avec le doigt sur le commutateur ou l'insertion du bloc piles avec le commutateur en position de marche est une invite aux accidents.
- Ne pas utiliser l'produit si le commutateur ne permet pas de le mettre en marche et de l'arrêter. Tout produit qui ne peut pas être contrôlé par son commutateur est dangereux et doit être réparé.
- Débrancher le bloc-piles – Débrancher le bloc-piles de l'appareil avant de le ranger, d'effectuer l'entretien ou changer d'accessoire comme le fil de coupe. Ces mesures de sécurité réduisent les risques de démarrage accidentel de l'outil.
- Utiliser exclusivement des pièces de rechange et accessoire d'origine. L'usage de toute autre pièce pourrait créer une situation dangereuse ou endommager l'produit.
- Entretien soigneusement l'appareil – Si la tête de coupe est fendue, brisée ou endommagée de quelque façon que ce soit, la remplacer. S'assurer que la tête de coupe est correctement installée et solidement assujettie. Ne pas prendre cette précaution peut entraîner des risques de blessures graves. Garder les mains propres, sèches, sans graisse ou lubrifiant.
- Vérifier l'état des pièces — Avant d'utiliser l'outil de nouveau examiner les pièces et dispositifs de protection qui semblent endommagés afin de déterminer s'ils fonctionnent correctement et remplissent les fonctions prévues. Vérifier l'alignement des pièces mobiles, s'assurer qu'aucune pièce n'est bloquée ou cassée, vérifier la fixation de chaque pièce et s'assurer qu'aucun autre problème ne risque d'affecter le bon fonctionnement de l'outil. Toute protection ou pièce endommagée doit être correctement réparée ou remplacée dans un centre de réparations agréé.
- S'assurer que tous les dispositifs de protection, sangles, déflecteurs et poignées sont correctement installés et solidement assujettis.
- Utiliser exclusivement des lignes de coupe d'origine si l'on d'utiliser l'accessoire taille-bordures. Ne pas utiliser un autre accessoire de coupe, tel que fil métallique, corde, ou autre. L'utilisation d'une tête de coupe d'autre marque sur cette tondeuse à fouet peut entraîner des blessures graves.

# INSTRUCTIONS IMPORTANTES CONCERNANT LA SÉCURITÉ









- Ne jamais utiliser l'produit si le protecteur n'est pas en place et en bon état.
- Tenir fermement les deux poignées pendant le travail. Tenir la tête de coupe au-dessous du niveau de la taille. Ne jamais tailler avec la tête de coupe à plus de 762 mm (30 po) du sol.
- Entreposer les outils à l'intérieur – Quand pas dans l'usage, tondeuse à fouet devrait être emmagasiné à la maison dans un sec, fermé à clef la remiser dans un endroit inaccessible aux enfants.
- Ne jamais utiliser de lames ou de dispositifs à fléau, ligne et cordes. L'unité est conçue pour être utilisée exclusivement avec une taille bordures à ligne. Le fait d'utiliser l'produit avec tout autre accessoire ou dispositif fait augmenter le risque de blessures.
- Examiner la surface à tondre. Retirer tous les objets (roches, verre brisé, clous, câble, corde etc.) qui peuvent être projetés dans les airs ou qui peuvent s'emmêler dans la tête de coupe.
- S'assurer que les événements d'aération sont propres et exempts de débris afin d'éviter que le moteur ne surchauffe. Les nettoyer après chaque utilisation.
- Arrêter l'produit et le débrancher de la source d'alimentation lorsqu'il n'est pas utilisé. Attendre l'arrêt complet du moteur avant de déplacer l'produit.
- Garder hors de la portée des enfants.
- Ne pas suspendre l'produit d'une façon qui enclencherait la gâchette.
- Les outils fonctionnant sur piles n'ayant pas besoin d'être branchés sur une prise de courant, ils sont toujours en état de fonctionnement. Tenir compte des dangers possibles lorsque l'produit n'est pas en usage et lors du remplacement des piles. Toujours enclencher le levier de blocage avant d'installer la taille-bordures sur le chargeur monté au mur. Le respect de cette consigne réduira les risques d'incendie, de choc électrique et de blessures graves.
- Utilisez exclusivement les blocs de batteries spécifiquement conçues pour les appareils. L'usage de tout autre bloc peut créer un risque de blessures et d'incendie.
- Pour recharger les batteries, utiliser seulement le chargeur spécifié par le fabricant. Un chargeur approprié pour un type de batterie peut créer un risque d'incendie s'il est utilisé avec un autre type de batterie.
- Lorsque le bloc de batteries n'est pas en usage, le garder à l'écart d'articles tels qu'attaches trombones, pièces de monnaie, clous, vis et autres petits objets métalliques risquant d'établir le contact entre les deux bornes. La mise en court-circuit des bornes de batteries peut causer des étincelles, des brûlures ou un incendie.
- Suivre toutes les instructions afférentes à la recharge et ne pas recharger le bloc-piles ou l'appareil hors des températures spécifiées dans les instructions. Une recharge incorrecte ou hors des températures spécifiées peut endommager la pile et augmenter les risques de feu.
- Demander à un réparateur qualifié d'effectuer la réparation en utilisant des pièces de rechange identiques. Ceci assurera la bonne sécurité du produit réparé.
- Ne modifiez pas ou n'essayez jamais de réparer l'appareil ou le bloc de batterie, sauf comme indiqué dans les instructions d'utilisation et d'entretien.
- En cas d'usage abusif, du liquide peut s'échapper des batteries. Éviter tout contact avec ce liquide. En cas de contact accidentel, rincer immédiatement les parties atteintes avec de l'eau. Si le liquide pénètre dans vos yeux, il faut aussi consulter un médecin. Le liquide s'échappant des batteries peut causer des irritations ou des brûlures.
- Ne pas utiliser un bloc-piles ou un appareil endommagé ou modifié. Les piles endommagées ou modifiées peuvent produire un comportement imprévisible pouvant provoquer un incendie, une explosion ou des blessures.
- Ne pas exposer le bloc-piles ou l'appareil près d'un incendie ou à une température extrême. L'exposition à un incendie ou à une température supérieure à 130 °C (265 °F) représente un risque d'explosion.
- Ne pas recharger un produit fonctionnant sur piles dans un endroit la pluie ou humide ou mouillé. Le respect de cette règle réduira les risques de choc électrique.
- Ne pas utiliser un appareil alimenté par pile sous la pluie.
- Retirer ou débrancher la pile pendant la pile n'est pas chargée et avant l'entretien, le nettoyage de l'produit de jardin, d'en retirer des matériaux, ou pendant de le ranger.
- Ne recharger les piles qu'avec le chargeur indiqué. Pour utilisation avec bloc-piles au lithium-ion de 58 V. Voir l'encart de corrélation 991000233 des Outils/Bloc-piles/Chargeur.
- Ne pas jeter les piles au feu. La cellule peut exploser. Vérifier les codes locaux pour connaître toute instruction spéciale relative à l'élimination des piles.
- Ne pas altérer le bloc-piles. L'électrolyte est un produit corrosif pouvant causer des lésions cutanées ou oculaires. Il peut être toxique en cas d'ingestion.
- Ne pas placer les outils électriques sans fil ou leurs batteries à proximité de flammes ou d'une source de chaleur. Ceci réduira les risques d'explosion et de blessures.
- Les piles peuvent exploser en présence d'une source d'allumage, telle qu'une veilleuse. Pour réduire les risques de blessures graves, ne jamais utiliser un appareil sans ligne, quel qu'il soit, en présence d'une flamme vive. En explosant, une pile peut projeter des débris et des produits chimiques. En cas d'exposition, rincer immédiatement les parties atteintes avec de l'eau.
- Ne pas écraser, faire tomber ou endommager le bloc-piles. Ne jamais utiliser un bloc-piles ou un chargeur qui est tombé, a été écrasé, a reçu un choc violent ou a été endommagé de quelque façon que ce soit. Une pile endommagée risque d'exploser. Éliminer immédiatement toute pile endommagée, selon une méthode appropriée.
- Pour un résultat optimal, les piles de l'produit doivent être rechargées dans un local où la température est de 10 à 38 °C (50 à 100 °F). Ne pas ranger l'produit à l'extérieur ou dans un véhicule.
- Si l'produit est utilisé de façon intensive ou sous des températures extrêmes, des fuites de pile peuvent se produire. En cas de contact du liquide avec la peau, rincez immédiatement la partie atteinte avec de l'eau savonneuse. En cas d'éclaboussure dans les yeux, rincez-les à l'eau fraîche pendant au moins 10 minutes, puis contactez immédiatement un médecin. Le respect de cette consigne réduira les risques de blessures graves.
- Conserver ces instructions. Les consulter fréquemment et les utiliser pour instruire les autres utilisateurs éventuels. Si cet produit est prêté, il doit être accompagné de ces instructions.

# SYMBOLES

Les termes de mise en garde suivants et leur signification ont pour but d'expliquer le degré de risques associé à l'utilisation de ce produit.

| SYMBOLE   | SIGNAL                 | SIGNIFICATION  |
|---|------------------------|--|
|  | <b>DANGER :</b>        | Indique une situation dangereuse qui, si elle n'est pas évitée, aura pour conséquences des blessures graves ou mortelles.  |
|  | <b>AVERTISSEMENT :</b> | Indique une situation dangereuse qui, si elle n'est pas évitée, pourrait entraîner des blessures graves ou mortelles.  |
|  | <b>ATTENTION :</b>     | Indique une situation dangereuse qui, si elle n'est pas évitée, pourrait entraîner des blessures légères ou de gravité modérée.  |
|   | <b>AVIS :</b>          | (Sans symbole d'alerte de sécurité) Indique les informations jugées importantes sans toutefois représenter un risque de blessure (ex. : messages concernant les dommages matériels). |

Certains des symboles ci-dessous peuvent être utilisés sur produit. Veiller à les étudier et à apprendre leur signification. Une interprétation correcte de ces symboles permettra d'utiliser produit plus efficacement et de réduire les risques.

| SYMBOLE   | NOM                                 | DÉSIGNATION / EXPLICATION   |
|---|-------------------------------------|---|
|    | Symbole d'alerte de sécurité        | Indique un risque de blessure potentiel.  |
|    | Lire manuel d'utilisation           | Pour réduire les risques de blessures, l'utilisateur doit lire et veiller à bien comprendre le manuel d'utilisation avant d'utiliser ce produit.  |
|  | Protection oculaire                 | Toujours porter une protection oculaire avec écrans latéraux certifiée conforme à la norme ANSI Z87.1.  |
|  | Avertissement concernant l'humidité | Ne pas exposer à la pluie ou l'humidité.  |
|  | Ne laisser personne s'approcher     | Garder les badauds à une distance de 15 m (50 pi) minimum.  |
|  | Danger de ricochet                  | Ne pas utiliser le coupe-bourdures sans le protecteur. Rester éloigné de la tête de coupe rotative.   |
|  | Ne pas utiliser de lame             | Ne jamais utiliser une lame quelconque sur un outil portant ce symbole.   |
|  | Symbole de recyclage                | Ce produit utilise les piles de lithium-ion (Li-ion). Les réglementations locales ou gouvernementales peuvent interdire de jeter les piles dans les ordures ménagères. Consulter les autorités locales compétentes pour les options de recyclage et/ou l'élimination. |
| ==  | Courant continu                     | Type ou caractéristique du courant  |
| $n_0$   | Vitesse à vide                      | Vitesse de rotation à vide  |
| .../min   | Par minute                          | Tours, coups, vitesse périphérique, orbites, etc., par minute   |
| V   | Volts                               | Tension   |
| Hz  | Hertz                               | Fréquence (cycles par seconde)  |
| min   | Minutes                             | Temps   |



# CARACTÉRISTIQUES

## Fiche technique

Moteur ..... 58 Volt CC  
Largeur de coupe de ligne..356 mm/406 mm (14 po/16 po)

Diamètre de ligne ..... 2,0 mm (0,08 po) diamètre  
rond / torsadée ou 2,4 mm (0,095 po)  
diamètre torsadée / octogonal

## Veiller à bien connaître la taille-bordures à ligne

Voir la figure 1.

L'utilisation sûre de ce produit exige une compréhension des renseignements figurant sur l'produit et contenus dans le manuel d'utilisation, ainsi qu'une bonne connaissance du projet entrepris. Avant d'utiliser ce produit, se familiariser avec toutes ses caractéristiques et règles de sécurité.

## Diamètre de coupe réglable

Les diamètres de coupe de 356 et 406 mm (14 et 16 po) se règlent en tournant la lame de sectionnement du ligne.

## Moteur sans balai

Ce produit est équipé d'un moteur sans balai afin de livrer une puissance et une performance optimales et maximiser la durée de vie de la pile.

## Déflateur de débris

Le taille-bordures est équipé d'un déflateur de débris qui protège l'opérateur des débris projetés.

## Surmoulage poignée

Le surmoulage poignée procure un confort d'utilisation plus grand.

## Interrupteur de vitesse

Cet outil est équipé d'un sélecteur de vitesse permettant à l'opérateur de choisir entre une vitesse ÉLEVÉE ou BASSE. Une vitesse basse lors de l'opération peut aider à prolonger la durée de vie de la pile alors que la vitesse élevée améliorera la puissance et la performance.

## Gâchette avec verrou

Le gâchette avec verrou prévient les démarrages accidentels.

# ASSEMBLAGE

## Déballage

Ce produit nécessite un assemblage.

- Avec précaution, sortir l'produit et les accessoires de la boîte. S'assurer que toutes les pièces figurant sur la liste de contrôle sont incluses.

### AVERTISSEMENT

**Ne pas utiliser le produit si, en le déballant, vous constatez que des éléments figurant dans la Liste de contrôle d'expédition sont déjà assemblés. Certaines pièces figurant sur cette liste n'ont pas été assemblées par le fabricant et exigent une installation. Le fait d'utiliser un produit qui a été assemblé de façon inadéquate peut entraîner des blessures.**

- Examiner soigneusement l'produit pour s'assurer que rien n'a été brisé ou endommagé en cours de transport.
- Ne pas jeter les matériaux d'emballage avant d'avoir soigneusement examiné l'produit et avoir vérifié qu'il fonctionne correctement.
- Si des pièces manquent ou sont endommagées, appeler le 1-877-396-3036.

## Liste de contrôle d'expédition

Taille-bordures  
Poignée avant avec quincaillerie  
Fil de remplacement de 2,0 mm (0,080 po)  
Boulons (2)  
Écrous (2)  
Clé hexagonale  
Lunettes de sécurité  
Manuel d'utilisation

### AVERTISSEMENT

**Si des pièces manquent ou sont endommagées, ne pas utiliser cet produit avant qu'elles aient été remplacées. Le non-respect de cet avertissement pourrait entraîner des blessures graves.**

### AVERTISSEMENT

**Ne pas essayer de modifier cet produit ou de créer des accessoires non recommandés pour l'produit. De telles altérations ou modifications sont considérées comme un usage abusif et peuvent créer des conditions dangereuses, risquant d'entraîner des blessures graves.**



# ASSEMBLAGE

## AVERTISSEMENT

*Ne pas brancher sur le bloc-moteur avant d'avoir terminé l'assemblage. Le non-respect de cet avertissement peut causer un démarrage accidentel, entraînant des blessures graves.*

### Ensemble l'outil

*Voir la figure 2.*

- Retirer les boulons et les écrous du sac de matériel.
- Aligner le connecteur situé sur l'extrémité supérieure de l'outil avec le connecteur sur l'extrémité inférieure de l'outil.
- Assembler les connecteurs en les faisant glisser et, à l'aide de la clé hexagonale fournie, les fixer avec les boulons et les écrous. Serrer solidement.

**NOTE :** Orienter les écrous de manière qu'ils reposent dans les zones en retrait sur les connecteurs.

## AVERTISSEMENT

*Un assemblage incorrect de l'outil ne respectant pas la méthode décrite ci-dessus peut provoquer la séparation de l'outil et causer des blessures graves.*

## ATTENTION

*Faire preuve de prudence au moment de raccorder les deux extrémités afin d'éviter de se pincer les mains ou les doigts.*

## AVERTISSEMENT

*Ce taille-bordure ne permet pas l'utilisation d'autres accessoires ou têtes de coupe. Tenter d'utiliser d'autres accessoires ou têtes de coupe pourrait causer des blessures corporelles graves.*

### Installation de la poignée avant

*Voir la figure 3.*

- Retirer les boulons, les rondelles plates et les rondelles frein de la poignée frontale.
- Installer la poignée entre la flèche et le connecteur sur la partie supérieure de l'outil.

**NOTE :** Lorsqu'elle est installée correctement, la poignée avant sera en angle vers l'opérateur.

- Ajuster la poignée vers le haut ou vers le bas, si nécessaire, à la position d'opération désirée.

**NOTE :** La poignée avant doit toujours être placée après la flèche. Ceci est la distance minimale acceptable entre les poignées avant et arrière.

- Réinstaller les rondelles et les boulons et serrer fermement.

# UTILISATION

## AVERTISSEMENT

*Ne pas laisser la familiarité avec l'produit faire oublier la prudence. Ne pas oublier qu'une fraction de seconde d'inattention peut entraîner des blessures graves.*

## AVERTISSEMENT

*Toujours porter une protection oculaire avec écrans latéraux certifiée conforme à la norme ANSI Z87.1. Si cette précaution n'est pas prise, des objets peuvent être projetés dans les yeux et causer des lésions graves.*

## AVERTISSEMENT

*Ne jamais utiliser de lames ou de dispositifs à fléau, ligne et cordes sur ce produit. Ne pas utiliser d'outils ou accessoires non recommandés par le fabricant pour cet produit. L'utilisation de pièces et accessoires non recommandés peut entraîner des blessures graves.*

## AVIS

*Inspecter périodiquement au complet le produit afin de s'assurer qu'aucune pièce (vis, écrous, boulons, chapeaux, etc.) n'est endommagée, manquante ou desserrée. Serrer solidement toutes les pièces de fixation et les chapeaux et ne pas utiliser le produit tant que toutes les pièces manquantes ou endommagées n'ont pas été remplacées. Pour obtenir de l'aide, communiquer avec le service à la clientèle ou un centre de réparations autorisé.*

Ce produit est compatible avec les piles 58 V au lithium-ion de Echo seulement.

Pour prendre connaissance de l'ensemble des instructions relatives à la charge, consulter les manuels d'utilisation des batteries de ECHO et des modèles de chargeur connexes.

# UTILISATION

## AVERTISSEMENT

**Toujours retirer la pile de l'outil au moment d'assembler des pièces, d'effectuer des réglages et de procéder au nettoyage, ou lorsque l'outil n'est pas utilisé. Le fait de retirer la pile permet d'empêcher un démarrage accidentel pouvant entraîner des blessures graves.**

### Installation/retrait du bloc-piles

Voir la figure 4.

#### Installer le bloc-piles :

- Aligner la rainure du bloc-piles sur la nervure en saillie du logement d'outil et placer la pile dans l'outil.

## AVERTISSEMENT

**S'assurer que le loquet de l'outil s'enclenche et que le bloc-piles est installé et fixé correctement au l'outil avant de commencer le travail. Ne pas installer et fixer correctement le bloc-piles peut provoquer la chute de ce dernier et occasionner des blessures graves.**

#### Retirer le bloc-piles :

- Appuyer sur le taquet de la pile situé sur l'outil et pousser le bloc-piles vers l'extérieur en utilisant la poignée.

## AVERTISSEMENT

**Pour éviter des blessures graves, toujours retirer le bloc-piles et tenir à distance de mains le gâchette avec verrou en portant l'outil.**

### Mise en marche et arrêt du taille-bordures

Voir la figure 5.

#### Pour démarrer :

- Choisir la vitesse de fonctionnement désirée (ÉLEVÉE ou BASSE).
- Maintenir le bouton de verrouillage enfoncé.
- Appuyer sur la gâchette.

#### Pour arrancer :

- Pour arrêter le taille-bordures, relâcher la gâchette.
- Lorsque la gâchette est relâchée, le bouton de verrouillage se remet automatiquement en position verrouillée.

### Utilisation du taille-bordures

Voir la figure 6.

## AVERTISSEMENT

**Toujours tenir le taille-bordure en l'éloignant du corps et en gardant un dégagement approprié entre le corps et le taille-bordure. Tout contact avec la tête de coupe du taille-bordure pendant son utilisation peut causer des blessures graves.**

Tenir le taille-bordures avec la main droite sur la poignée arrière et la main gauche sur la poignée avant. Garder une prise ferme sur les deux poignées pendant le fonctionnement. Le taille-bordures doit être tenu dans une position confortable, la poignée arrière se trouvant à peu près à hauteur de la taille.

Couper les herbes hautes de haut en bas. Ceci empêchera l'herbe de s'enrouler sur le perche et la tête de coupe, ce qui pourrait causer des dommages dus à une surchauffe. Si l'herbe s'enroule sur la tête de coupe, ARRÊTER LE MOTEUR, retirer le bloc-pile, et enlever l'herbe.

### Conseils de coupe

Voir les figures 6 et 7.

- Éviter les surfaces très chaudes en maintenant toujours l'outil à l'écart du corps. (Position de travail correcte illustrée à la figure 6.)
- Pour une efficacité maximum, garder le taille-bordures incliné vers la zone de coupe.
- Pour couper avec le taille-bordures, utiliser un mouvement de balayage de gauche à droite. Ceci évite que les débris soient projetés en direction de l'opérateur. Éviter de couper dans la zone dangereuse comme le montre l'illustration à la figure 7.
- Couper avec l'extrémité de la ligne; ne pas forcer la tête de coupe dans l'herbe non coupée.
- Les palissades en métal et en bois accélèrent l'usure de la ligne et peuvent la faire casser. Les murs en pierre et brique, trottoirs et pièces de bois peuvent user la ligne rapidement.
- Contourner les arbres et buissons. L'écorce des arbres, les moulures en bois, le lambrissage et les piquets de palissades peuvent être endommagés par la ligne.

### Avance de la ligne de coupe

- Faire fonctionner le moteur en appuyant complètement sur la gâchette.
- Taper la tête de coupe sur le sol pour faire avancer la ligne. La ligne avance chaque fois que la tête de coupe est frappée sur le sol.

**NOTE :** Plusieurs frappes peuvent être nécessaires pour que la ligne parvienne à la lame coupe ligne.

- Continuer le travail.

**NOTE :** Si la ligne devient trop courte, il peut ne pas être possible de la faire avancer en tapant la tête de coupe sur le sol. Dans ce cas, ARRÊTER LE MOTEUR, retirer le bloc-piles, et tirer la ligne à la main.

#### Pour avance manuelle de la ligne de coupe :

- Arrêter le moteur et retirer le bloc-piles.
- Appuyer sur la face de la tête de coupe puis tirer les fils pour les faire avancer manuellement.

# UTILISATION

## AVERTISSEMENT

**La lame coupe ligne du déflecteur est tranchante. Éviter de la toucher. Le contact avec la lame peut causer des blessures graves.**

### Lame de sectionnement de ligne

Voir les figures 8 et 9.

Ce taille-bordures est équipé d'une lame de sectionnement de ligne montée sur le déflecteur de débris. Pour obtenir une coupe optimale, faire progresser le fil jusqu'à ce qu'il soit coupé à la longueur correcte par la lame coupe-ligne. Le fil doit être avancé chaque fois que le moteur tourne à une

vitesse supérieure à la normale ou lorsque la coupe devient moins efficace. Ceci permet de maintenir une efficacité maximum et de maintenir une longueur de fil suffisante pour avancer correctement.

Cette taille-bordure est actuellement réglée au 406 mm (16 po) largeur de coupe. Pour ajuster à une largeur de coupe de 356 mm (14 po) :

- Arrêter l'outil et retirer le bloc-piles.
- Retirer les vis de la lame et écrous.
- Tourne alors la lame de sectionnement de ligne 180°.
- Réinstallez les vis de la lame et écrous. Serrer solidement.

# ENTRETIEN

## AVERTISSEMENT

**Avant d'inspecter, nettoyer ou entretenir l'équipement, couper le moteur, attendre que toutes les pièces en mouvement s'arrêtent et retire la bloc-pile. Le non-respect de ces instructions peut entraîner des blessures graves ou des dégâts matériels.**

## AVERTISSEMENT

**Toujours porter une protection oculaire avec écrans latéraux certifiée conforme à la norme ANSI Z87.1. Si cette précaution n'est pas prise, des objets peuvent être projetés dans les yeux et causer des lésions graves.**

## AVERTISSEMENT

**Utiliser exclusivement des pièces d'origine pour les réparations. L'usage de toute autre pièce pourrait créer une situation dangereuse ou endommager l'produit.**

## AVERTISSEMENT

**Inspecter périodiquement au complet le produit afin de s'assurer qu'aucune pièce (vis, écrous, boulons, chapeaux, etc.) n'est endommagée, manquante ou desserrée. Serrer solidement toutes les pièces de fixation et les chapeaux et ne pas utiliser le produit tant que toutes les pièces manquantes ou endommagées n'ont pas été remplacées. Pour obtenir de l'aide, veuillez communiquer avec le Service à la clientèle ou un centre de réparations qualifié.**

### Entretien général

Éviter d'utiliser des solvants pour le nettoyage des pièces en plastique. La plupart des matières plastiques peuvent être endommagées par divers types de solvants du commerce. Utiliser un chiffon propre pour éliminer la saleté, la poussière, l'huile, la graisse, etc.

## AVERTISSEMENT

**Ne jamais laisser de liquides tels que le fluide de freins, l'essence, les produits à base de pétrole, les huiles pénétrantes, etc., entrer en contact avec les pièces en plastique. Les produits chimiques peuvent endommager, affaiblir ou détruire le plastique, ce qui peut entraîner des blessures graves.**

### Remplacement de la tête de coupe

Voir la figure 10.

La tête de coupe doit être remplacée lorsqu'un dommage visible apparaît ou si les indicateurs d'usure situés sur la face sont usés et lisses. Si seule la ligne est remplacée, voir **Remplacement de la ligne**, plus loin dans ce manuel.

- Arrêter le moteur et retirer le bloc-piles.
- Insérer le clé hexagonale dans fente de la déflecteur de débris et le arbre de sortie.
- Tourner la tête de coupe vers la droite jusqu'à ce qu'elle se détache de le arbre de sortie.
- Installer une tête de coupe neuve et tourner vers la gauche pour la fixer fermement.

### Remplacement de la ligne

Voir les figures 11 à 14.

Utiliser uniquement une ligne de coupe double torsadée de 2,03 mm (0,080 po) ou de 2,03 mm (0,095 po) de diamètre, ou une ligne de coupe octogonale de 2,41 mm (0,095 po).

- Arrêter l'outil et retirer le bloc-piles.
- Si nécessaire, tourner la tête de coupe afin de l'aligner avec les oeillets du logement de la tête de coupe et les flèches de la base de la tête de coupe.
- Couper un morceau d'une longueur de 3,67 m (12 pi) de ligne. Insérer le ligne dans l'oeillet du boîtier de tête de coupe. Pousser jusqu'à ce que l'extrémité du ligne sorte de l'autre côté de la tête de coupe. Tirer sur le ligne de l'autre côté de façon à laisser deux segments de ligne égaux de chaque côté de la boîtier de tête de coupe.

# ENTRETIEN

- Tout en tenant le corps de la tête de coupe, tourner la base de la tête de coupe vers la gauche pour embobiner le fil sur la bobine jusqu'à ce que le fil dépasse de 152,4 mm (6 po) de chaque côté.
- Pousser sur la face de la tête de coupe tout en tirant sur la ou les ligne(s) pour les avancer manuellement et vérifier le montage de la tête de coupe.

## Remisage de la tondeuse à fouet

- Retirer la pile du taille bordures avant de le ranger.
- Nettoyer soigneusement la tondeuse à fouet.
- La remiser dans un endroit inaccessible aux enfants.
- Le tenir à l'écart de produits corrosifs, tels que les produits chimiques de jardinage et le sel de dégivrage.

# DÉPANNAGE

| Problème   | Cause possible                                     | Solution  |
|--|--|---|
| Le ligne n'avancera pas  | Ligne soudée sur elle-même.                        | Lubrifier avec un produit au silicone.  |
|  | Pas assez de ligne sur la bobine.                  | Installer une nouvelle ligne. Voir <b>Remplacement de ligne</b> , plus haut dans ce manuel.   |
|  | Ligne trop courte.                                 | Tirez la ligne tout en appuyant sur la face de la tête de coupe.  |
|  | Ligne emmêlée sur la bobine.                       | Retirer la ligne du de la bobine et la rembobiner. Voir <b>Remplacement de la ligne</b> , plus haut dans ce manuel.   |
|  | La bobine est mal installée dans la tête de coupe. | Si la tête de coupe a été démontée, peu importe la raison, s'assurer que le côté marqué de la lettre « L » se retrouve à l'extérieur lors du remontage.   |
| L'herbe s'enroule sur le tube de l'arbre moteur et la tête de coupe    | Coupe de hautes herbes au ras du sol.              | Couper les herbes hautes du haut en bas.  |
| Le moteur ne démarre pas quand change la gâchette                      | Le bloc-piles n'est pas fixée.                     | Pour installer fermement le bloc-piles, s'assurer que la pile est complètement assise et que le taquet de l'outil s'enclenche correctement.   |
|  | Le bloc-piles n'est pas chargée.                   | Charger la pile conformément aux instructions fournis avec ce modèle.   |
| Le moteur s'arrête lorsque la gâchette de l'interrupteur est enfoncée. | Le moteur est surchargé.                           | Relâcher la gâchette, attendre plusieurs secondes puis appuyer à nouveau sur la gâchette. Le moteur devrait redémarrer. Si le moteur ne redémarre pas, retirer le bloc-piles, réinstaller le bloc-piles et essayer à nouveau. |

# GARANTIE

## Énoncé de la garantie limitée

OWT Industries, Inc., garantit à l'acheteur original que ce produit d'extérieur de 58 V de marque ECHO est exempt de tous vices de matériaux ou de fabrication et s'engage à réparer ou remplacer gratuitement, à son choix, tout produit s'avérant défectueux au cours des périodes indiquées ci-dessous, à compter de la date d'achat.

- Cinq ans sur les produits utilisés par des particuliers ;
- Deux ans sur les produits utilisés pour les travaux commerciaux ;
- Quatre-vingt dix jours sur les produits utilisés à toutes pour la location.

Cette garantie n'est offerte qu'à l'acheteur original et entre en vigueur à la date de l'achat original.

Toutes les pièces de ce produit qui, selon un jugement raisonnable de OWT Industries, Inc., et/ou ECHO Inc., s'avèrent être un défaut de fabrication ou de main-d'oeuvre sera réparé ou remplacé sans frais pour les pièces et la main-d'oeuvre par un centre de réparations autorisé pour les produits d'extérieur de 58 V de marque ECHO. Les pièces de rechange et accessoires remplacés dans le cadre de cette garantie sont garantie pour le reste de la période de garantie initiale.

Le produit, y compris toutes les pièces défectueuses devront être retournés à un centre de réparations autorisé pour les produits d'extérieur de 58 V de marque ECHO, avant expiration de la période de garantie. Les frais d'expédition au centre de réparations pour les produits d'extérieur de 58 V de marque ECHO pour les travaux sous garantie et de retour au propriétaire du produit seront assumés par le propriétaire. En ce qui concerne les réclamations en garantie, la responsabilité OWT Industries, Inc., et ECHO Inc., se limitera à la réparation ou au remplacement des produits défectueux et aucune revendication de rupture de garantie ne pourra causer l'annulation ou la résiliation du contrat de vente d'un produits d'extérieur de 58 V de marque ECHO quel qu'il soit. Une preuve d'achat sera exigée par le centre de réparation, afin de valider toute réclamation au titre de la garantie. Toutes les réparations sous garantie devront être effectuées par un centre de réparations autorisé pour les produits d'extérieur de 58 V de marque ECHO.

Cette garantie ne couvre pas les produits ayant fait l'objet d'un usage abusif ou négligent, d'un manque d'entretien, ayant été impliqués dans un accident ou employé de façon contraire aux instructions du manuel d'utilisation. Cette garantie ne couvre ni les dommages aux produits résultant d'un manque d'entretien, ni les produits qui ont été altérés ou modifiés. La garantie exclut les réparations rendues nécessaires par l'usure normale ou l'utilisation de pièces et accessoires incompatibles avec le produits d'extérieur de 58 V de marque ECHO ou nuisibles à son bon fonctionnement, ses performances ou sa durabilité. En outre, cette garanti exclut l'usure des articles normaux tels que, mais sans s'y limiter :

Les articles consommables – Boutons d'avance par choc, bobines externes, lignes de coupe, bobines internes, courroies d'entraînement, dents, rondelles en feutre, axes d'attelage, lames de paillage, ventilateur de soufflante, tubes de soufflage et d'aspiration, sacs à débris, guides, chaînes de scie

OWT Industries, Inc. et ECHO Inc., se réserve le droit de modifier ou d'améliorer la conception de ce produit et n'assume aucune obligation de modification pour les produits fabriqués antérieurement.

LA DURÉE DE TOUTES LES GARANTIES IMPLICITES NE SAURAIT EN AUCUN CAS EXCÉDER LA PÉRIODE DE GARANTIE DÉCLARÉE. PAR CONSÉQUENT, TOUTES LES GARANTIES IMPLICITES, Y COMPRIS LES GARANTIES DE VALEUR MARCHANDE OU D'ADÉQUATION À UN USAGE PARTICULIER OU AUTRES SERONT INVALIDÉES À L'EXPIRATION DE LA PÉRIODE DE GARANTIE APPROPRIÉE DE CINQ ANS, DEUX ANS OU QUATRE-VINGT DIX JOURS. LES OBLIGATIONS DE OWT INDUSTRIES, INC., ET ECHO INC., DANS LE CADRE DE CETTE GARANTIE SE LIMITENT EXCLUSIVEMENT À LA RÉPARATION OU AU REMPLACEMENT DES PIÈCES DÉFECTUEUSES ET OWT INDUSTRIES, INC., ET ECHO INC., N'ASSUME OU N'AUTORISE QUICONQUE À ASSUMER QUELQUE AUTRE OBLIGATION QUE CE SOIT. CERTAINS ÉTATS ET PROVINCES NE PERMETTANT PAS DE LIMITATION DE DURÉE DES GARANTIES IMPLICITES, LES RESTRICTIONS CI-DESSOUS PEUVENT NE PAS ÊTRE APPLICABLES. OWT INDUSTRIES, INC., ET ECHO INC., DÉCLINE TOUTE RESPONSABILITÉ EN CE QUI CONCERNE LES DOMMAGES DIRECTS, INDIRECTS OU AUTRES, Y COMPRIS, MAIS SANS S'Y LIMITER, LES FRAIS DE RETOUR DE PRODUITS À UN CENTRE DE RÉPARATIONS AUTORISÉ POUR LES PRODUITS D'EXTÉRIEUR DE 58 V DE MARQUE ECHO ET DE RENVOI AU PROPRIÉTAIRE, DE DÉPLACEMENT D'UN TECHNICIEN, DE TÉLÉPHONE OU TÉLÉGRAMME, DE LOCATION D'UN PRODUIT SIMILAIRE PENDANT LA DURÉE DES RÉPARATIONS SOUS GARANTIE, DE DÉPLACEMENT, DE PERTES OU DOMMAGES À DES BIENS PERSONNELS, DE MANQUE À GAGNER, DE PERTE D'USAGE DU PRODUIT, DE PERTE DE TEMPS OU DE DÉRANGEMENT. CERTAINS ÉTATS ET PROVINCES NE PERMETTANT L'EXCLUSION OU LA LIMITATION DES DOMMAGES DIRECTS OU INDIRECTS, LES RESTRICTIONS CI-DESSOUS PEUVENT NE PAS ÊTRE APPLICABLES.

Cette garantie donne au consommateur des droits spécifiques, et celui-ci peut bénéficier d'autres droits, qui varient selon les états ou provinces.

Cette garantie couvre tous les produits d'extérieur de 58 V de marque ECHO fabriqués par OWT Industries, Inc., et ECHO Inc., vendus aux États-Unis et au Canada.

Pour obtenir l'adresse du le plus proche centre de réparations autorisé pour les produits d'extérieur de 58 V de marque ECHO, visite le [www.echocordless.com](http://www.echocordless.com) ou l'appeler le 1-877-396-3036.







# INSTRUCCIONES DE SEGURIDAD IMPORTANTES

## ¡ADVERTENCIA!

**Al utilizar herramientas eléctricas para el cuidado del jardín, con el fin de reducir el riesgo de incendio, descargas eléctricas y lesiones corporales, siempre deben seguirse ciertas medidas básicas de precaución.**

### Lea todas las instrucciones

- Para la operación segura, lea y entienda todas las instrucciones antes de usar este producto. Siga todas las instrucciones de seguridad. La inobservancia de todas las instrucciones de seguridad señaladas abajo puede causar lesiones corporales graves.
- No permita que utilicen esta unidad niños ni personas carentes de la debida instrucción para su manejo.
- Revise el área de trabajo cada vez antes de utilizar esta herramienta. Retire todos los objetos como piedras, vidrio roto, clavos, alambre o cuerda que puedan salir disparados o enredarse en la máquina.
- Use siempre protección ocular con protecciones laterales con la marca de cumplimiento de la norma Z87.1 del ANSI. Con el cumplimiento de esta regla, se reduce el riesgo de lesiones físicas graves.
- Use gafas de seguridad – Use una careta o mascarilla contra el polvo si la operación genera mucho polvo. Siempre use gafas de seguridad con protección lateral. Los anteojos comunes sólo tienen lentes resistentes a los impactos. NO son anteojos de seguridad. Con el cumplimiento de esta regla se reduce el riesgo de posibles lesiones oculares.
- Protéjase los pulmones. Use una careta o mascarilla contra el polvo si la operación genera mucho polvo. Al cumplir esta regla se reduce el riesgo de lesiones personales graves.
- Vístase adecuadamente – No vista ropas holgadas ni joyas. Estas pueden engancharse en las piezas móviles. Se recomienda el uso de guantes de goma y un calzado resistente cuando se trabaja a la intemperie. Póngase pantalones largos de tela gruesa, mangas largo, botas y guantes. No se ponga pantalones cortos, ni ande descalzo. No se ponga joyas de ninguna clase.
- Recójase el cabello largo arriba del nivel de los hombros para evitar que se enrede en las piezas móviles.
- Mantenga alejados a los niños - Mantenga alejados a todos los circunstantes, niños y animales a una distancia mínima de 15 m (50 pies).
- Permanezca alerta - Preste atención a lo que está haciendo. Use el sentido común. No use esta unidad cuando se encuentre fatigado, enfermo o bajo los efectos del alcohol, drogas o medicamentos.
- No utilice la unidad en condiciones deficientes de iluminación.
- Mantenga todas las partes del cuerpo alejadas de toda pieza en movimiento.
- No utilice herramientas motorizadas en atmósferas explosivas, como las existentes alrededor de líquidos, gases y polvos inflamables. Las herramientas eléctricas generan chispas que pueden encender el polvo y los vapores inflamables.
- Evite el contacto del cuerpo con objetos conectados a tierra, como las tuberías, radiadores, estufas y refrigeradores. Existe un mayor riesgo de descargas eléctricas si el cuerpo está en contacto con tierra.
- Evite los entornos de trabajo peligrosos – No exponga las partes del aparato o la recortadora de hilo a la lluvia ni a condiciones

de humedad. La introducción de agua en un aparato o una recortadora de hilo aumenta el riesgo de descargas eléctricas.




- Vístase adecuadamente – No fuerce la herramienta. Utilice la herramienta adecuada para cada tarea. El uso de la herramienta adecuada a la velocidad para la que está diseñada, efectuará el trabajo de mejor y más segura manera.
- No fuerce la herramienta – Es más eficaz y presenta menos riesgo de lesiones a la velocidad de trabajo para la que fue diseñada.
- No accione el equipo cuando esté descalzo o al llevar puestas sandalias o calzado liviano similar. Use calzado de seguridad que le proteja sus pies y mejore su postura en superficies resbaladizas.
- No estire el cuerpo para alcanzar mayor distancia – Mantenga los pies bien afirmados y el equilibrio. Se puede perder el equilibrio al tratar de alcanzar demasiado lejos.
- Evite un arranque accidental de la unidad - Asegúrese de que el interruptor esté en la posición de aseguramiento o de apagado antes de instalar el paquete de baterías. Llevar las herramientas con el dedo en el interruptor o instalar el paquete de baterías en la herramienta con el interruptor puesto es causa común de accidentes.
- No utilice la herramienta si el interruptor no enciende o no apaga. Una herramienta que no pueda controlarse con el gatillo es peligrosa y debe repararse.
- Desconecte la batería - Desconecte la batería de la aparato antes dar servicio, o cambiar accesorios como la del hilo de corte. Tales medidas preventivas de seguridad reducen el riesgo de poner en marcha accidentalmente la herramienta.
- Sólo utilice piezas de repuesto idénticas y accesorios del fabricante original. El empleo de piezas diferentes puede causar un peligro o dañar el producto.
- Mantenga este artefacto con cuidado – Reemplace el cabezal del hilo si estuviese agrietado, astillado o dañado de alguna manera. Asegúrese de que el cabezal del hilo esté debidamente instalado y firmemente asegurado. La inobservancia de esta advertencia puede causar lesiones corporales serias. Mantenga los asideros secos y limpios de grasa y aceite.
- Revise para ver si hay piezas dañadas – Antes de seguir utilizando esta herramienta, es necesario inspeccionar cuidadosamente toda pieza dañada para asegurarse de que funcione y desempeñe correctamente la función a la que está destinada. Verifique la alineación de las piezas móviles y que estas no estén atascadas, que no haya piezas rotas, el montaje de las piezas y cualquier otra condición que pudiera afectar su funcionamiento. Una protección o alguna otra pieza que esté dañada la debe reparar o reemplazar un representante de servicio autorizado.
- Asegúrese de que todas las protecciones, correas, deflectores y mangos estén firme y correctamente instalados.
- Solamente ponga hilo de repuesto del fabricante original en el cabezal de corte. No utilice ningún otro accesorio de corte, por ejemplo: alambre de metal, cuerdas, o elementos similares. Instalar cualquier otra marca de hilo de corte en esta recortadora de hilo puede producir lesiones corporales serias.
- Nunca utilice la unidad si el deflector de pasto no está montado en su lugar y en buenas condiciones de funcionamiento.
- Al usar la recortadora, sujétela firmemente por ambos mangos. Mantenga el cabezal del hilo por debajo del nivel de la cintura. Nunca corte con el cabezal del hilo a más de 762 mm (30 pulg.) del suelo.

# INSTRUCCIONES DE SEGURIDAD IMPORTANTES









- Guarde en el interior los artefactos que no esté usando – Cuando no está en uso, la recortadora de hilo debe guardarse en el interior, en un lugar seco y cerrado con llave, lejos del alcance de los niños.
- Nunca use hojas, dispositivos movibles, alambre ni cuerdas. Esta unidad se diseñó para usar con recortadora de hilo únicamente. El uso de cualquier otro accesorio o aditamento aumenta el riesgo de lesiones.
- Inspeccione el área por cortar. Retire todos los objetos (piedras, vidrio roto, clavos, alambre, hilo, etc.) que puedan salir disparados o enredarse en el cabezal de corte.
- Mantenga las rejillas de ventilación limpias y sin desechos para evitar que se recaliente el motor. Límpielas cada vez, después de usar la herramienta.
- Apague la unidad y desconecte el suministro de corriente cuando no esté en uso. Traslade la unidad con el motor apagado.
- Guarde el producto fuera del alcance de los niños.
- No cuelgue la unidad de una manera que el gatillo quede presionado.
- No se necesita conectar a una toma de corriente las herramientas de pilas; por lo tanto, siempre están en condiciones de funcionamiento. Esté consciente de los posibles peligros cuando no esté usando la herramienta de pilas o cuando esté cambiando los accesorios de la misma. Siempre encaje la palanca de seguro antes de colocar la recortadora en el cargador montado en la pared. El cumplimiento de esta norma reducirá el riesgo de descargas eléctricas, incendios o lesiones personales graves.
- Use dispositivos solo con paquetes de baterías diseñados específicamente. El empleo de paquetes de pilas diferentes puede presentar un riesgo de incendio.
- Sólo cargue el paquete de pilas con el cargador especificado por el fabricante. Un cargador que sea apropiado para un tipo de batería puede crear riesgo de incendio cuando se use con otra batería.
- Cuando no esté utilizándose el paquete de baterías, manténgalo lejos de otros objetos metálicos como clips, monedas, llaves, clavos, tornillos y otros objetos metálicos pequeños que puedan establecer conexión entre ambas terminales. Establecer una conexión directa entre las dos terminales de las pilas puede causar quemaduras o incendios.
- Siga todas las instrucciones de carga y no cargue el paquete de baterías ni el aparato fuera del rango de temperaturas especificado en las instrucciones. Si realiza la carga en forma incorrecta o fuera de las temperaturas del rango especificado puede dañar la batería y aumentar el riesgo de incendios.
- Verifique que un técnico de reparación calificado haga el mantenimiento usando solo repuestos idénticos. De esta manera se mantiene la seguridad del producto.
- No modifique ni intente reparar el dispositivo o el paquete de baterías, excepto según se indica en las instrucciones de uso y mantenimiento.
- Si se maltratan las pilas, puede derramarse líquido de las mismas; evite todo contacto con éste. En caso de contacto, lávese con agua. Si el líquido llega a tocar los ojos, además busque atención médica. El líquido que sale expulsado de la batería puede provocar irritaciones o quemaduras.
- No utilice un paquete de baterías o un artefacto que esté dañado o modificado. Las baterías dañadas o modificadas pueden tener un funcionamiento impredecible que provoque incendios, explosiones o riesgo de lesiones.
- No exponga el paquete de baterías o el artefacto al fuego o a temperaturas excesivas. La exposición al fuego o a temperaturas sobre los 130 °C (265 °F) puede provocar explosiones.
- No cargue herramientas de baterías en lugares mojados o húmedos. Con el cumplimiento de esta regla se reduce el riesgo de una descarga eléctrica.
- No use aparatos accionados por baterías en la lluvia.
- Quite o desconecte la batería cuando no se está cargando, y antes de proporcionarle servicio, realizarle una limpieza, quitar material del aparato para el cuidado del jardín, o antes de almacenarla.
- Cargue las baterías solamente con el cargador indicado. Para utilizar con paquetes de baterías de iones de litio de 58 V, consulte el folleto de la herramienta/aparato/paquete de baterías/cargador complementario 991000233.
- No deseche las baterías en el fuego. Las baterías pueden estallar. Verifique los códigos de la localidad para conocer posibles instrucciones especiales para desecharlas.
- No desarme el paquete de baterías. El electrolito emitido es corrosivo y puede causar daños en los ojos y en la piel. Puede ser tóxico si se ingiere.
- No coloque herramientas de baterías ni las baterías mismas cerca del fuego o del calor. De esta manera se reduce el riesgo de explosiones y de lesiones.
- Las baterías pueden explotar en presencia de una fuente de inflamación, como una luz guía. Para reducir el riesgo de lesiones corporales serias, nunca use un producto inalámbrico en presencia de llamas expuestas. La explosión de una pila puede lanzar fragmentos y compuestos químicos. Si ha quedado expuesto a la explosión de una pila, lávese de inmediato con agua.
- No aplaste, deje caer o dañe la batería. Nunca utilice una batería o cargador que se ha caído, aplastado, recibido un golpe contundente o ha sido dañado(a) de alguna manera. Las baterías dañadas pueden sufrir explosiones. Deseche de inmediato toda pila que haya sufrido una caída o cualquier daño.
- Para obtener resultados óptimos, debe cargar la herramienta de baterías en un lugar donde la temperatura esté entre 10 y 38 °C (50 y 100 °F). Para reducir el riesgo de lesiones personales graves, no lo almacene en el exterior o en vehículos.
- En condiciones extremas de uso o temperatura las baterías pueden emanar líquido. Si el líquido llega a tocarle la piel, lávese de inmediato con agua y jabón. Si le entra líquido en los ojos, láveselos con agua limpia por lo menos 10 minutos, y después busque de inmediato atención médica. Con el cumplimiento de esta regla se reduce el riesgo de lesiones corporales serias.
- Guarde estas instrucciones. Consúltelas con frecuencia y empléelas para instruir a otras personas que puedan utilizar esta herramienta. Si presta a alguien esta herramienta, facilítele también las instrucciones.

# SÍMBOLOS

Las siguientes palabras de señalización y sus significados tienen el objeto de explicar los niveles de riesgo relacionados con este producto.

| SÍMBOLO   | SEÑAL               | SIGNIFICADO   |
|---|---------------------|---|
|  | <b>PELIGRO:</b>     | Indica una situación peligrosa, la cual, si no se evita, causará la muerte o lesiones serias.   |
|  | <b>ADVERTENCIA:</b> | Indica una situación peligrosa, la cual, si no se evita, podría causar la muerte o lesiones serias.   |
|  | <b>PRECAUCIÓN:</b>  | Indica una situación peligrosa, la cual, si no se evita, podría causar lesiones menores o leves.  |
|   | <b>AVISO:</b>       | (Sin el símbolo de alerta de seguridad) Indica la información que se considera importante, pero no relacionada con lesiones potenciales (por ej. en relación a daños a la propiedad). |

Es posible que se empleen en este producto algunos de los siguientes símbolos. Le suplicamos estudiarlos y aprender su significado. Una correcta interpretación de estos símbolos le permitirá utilizar mejor y de manera más segura el producto.

| SÍMBOLO   | NOMBRE                                     | DENOMINACIÓN/EXPLICACIÓN  |
|---|--|---|
|    | Alerta de seguridad                        | Indica un peligro posible de lesiones personales.   |
|    | Lea manual del operador                    | Para reducir el riesgo de lesiones, el usuario debe leer y comprender el manual del operador antes de usar este producto.   |
|  | Protección ocular                          | Siempre póngase protección ocular con protección lateral con la marca de cumplimiento de la norma ANSI Z87.1.   |
|  | Alerta de condiciones húmedas              | No exponga la unidad a la lluvia ni la use en lugares húmedos.  |
|  | Mantenga alejadas a las personas presentes | Mantenga a los circunstantes a una distancia mínima de 15 m (50 pies).  |
|  | Ricochet                                   | Cualquier objeto lanzado puede rebotar y producir lesiones personales o daños físicos.  |
|  | No instale hoja de corte                   | No instale ni utilice ningún tipo de hoja de corte en ningún producto con este símbolo.   |
|  | Símbolo de reciclado                       | Este producto utiliza baterías de iones de litio (Li-ion). Es posible que algunas leyes municipales, estatales o federales prohíban desechar las baterías en la basura normal. Consulte a las autoridades reguladoras de desechos para obtener información en relación con las alternativas de reciclado y desecho disponibles. |
| ==  | Corriente continua                         | Tipo o característica de corriente  |
| $n_0$   | Velocidad en vacío                         | Velocidad de rotación, en vacío   |
| .../min   | Por minuto                                 | Revoluciones, carreras, velocidad superficial, órbitas, etc., por minuto  |
| V   | Volts                                      | Voltaje   |
| Hz  | Hertz                                      | Frecuencia (ciclos por segundo)   |
| min   | Minutos                                    | Tiempo  |

# CARACTERÍSTICAS

## Especificaciones del producto

Motor .....58 Volt c.c.  
Ancho de corte.....356 mm/406 mm (14 pulg./16 pulg.)

Diámetro del hilo ..... 2,0 mm (0,08 pulg.) diámetro  
ronda/retorcidos o 2,4 mm (0,095 pulg.)  
diámetro retorcidos/octagonal

## Familiarícese con su recortadora de hilo

Vea la figura 1.

El uso seguro que este producto requiere la comprensión de la información impresa en el producto y en el manual del operador así como ciertos conocimientos sobre el proyecto a realizar. Antes de usar este producto, familiarícese con todas las características de funcionamiento y normas de seguridad.

## Diámetro de corte ajustable

El diámetro de corte se puede ajustar de 356 mm (14 pulg.) a 406 mm (16 pulg.) haciendo girar la cuchilla de corte del hilo.

## Motor sin escobillas

Este producto cuenta con un motor sin escobillas que maximiza la potencia y el desempeño, así como el tiempo de funcionamiento de la batería.

## Protección contra fragmentos

La recortadora incorpora una protección contra fragmentos que ayuda a proteger al operador de los desechos lanzados por la herramienta.

## Sobremoldeado mango

El sobremoldeado mango proporciona mayor comodidad para el operador.

## Interruptor de velocidad

Esta herramienta tiene un selector de velocidad que le permite al operador elegir entre la velocidad ALTA o BAJA. Usar la velocidad baja durante su operación ayuda a prolongar el tiempo de funcionamiento de la batería, mientras que usar la velocidad alta mejora la potencia y el desempeño.

## Gatillo con seguro

El gatillo con seguro evita los arranques accidentales.

# ARMADO

## Desempaquetado

Este producto requiere armarse.

- Extraiga cuidadosamente de la caja el producto y los accesorios. Asegúrese de que estén presentes todos los artículos enumerados en la lista de empaquetado.

### ADVERTENCIA

**No utilice este producto si alguna pieza incluida en la Lista de empaquetado ya está ensamblada al producto cuando lo desempaqueta. El fabricante no ensambla las piezas de esta lista en el producto. Éstas deben ser instaladas por el usuario. El uso de un producto que puede haber sido ensamblado de forma inadecuada podría causar lesiones personales graves.**

- Inspeccione cuidadosamente el producto para asegurarse de que no haya sufrido ninguna rotura o daño durante el transporte.
- No deseche el material de empaquetado hasta que haya inspeccionado cuidadosamente el producto y la haya utilizado satisfactoriamente.
- Si hay piezas dañadas o faltantes, le suplicamos llamar al 1-877-396-3036, donde le brindaremos asistencia.

## Lista de empaquetado

Recortadora de hilo  
Mango delantero con piezas de ferretería  
Hilo del reabastecimiento de 2 mm (0,080 pulg.)  
Pernos (2)  
Tuercas (2)  
Llave hexagonal  
Gafas de seguridad  
Manual del operador

### ADVERTENCIA

**Si hay piezas dañadas o faltantes, no utilice esta producto sin haber reemplazado las piezas dañadas o faltantes. La inobservancia de esta advertencia puede causar lesiones graves.**

### ADVERTENCIA

**No intente modificar este producto ni hacer accesorios no recomendados para la misma. Cualquier alteración o modificación constituye maltrato el cual puede causar una condición peligrosa, y como consecuencia posibles lesiones corporales serias.**

# ARMADO

## ADVERTENCIA

*Para evitar un arranque accidental que podría causar lesiones corporales serias, siempre desmonte de la producto el paquete de baterías al montar piezas a aquélla.*

### Armando de la herramienta

*Vea la figura 2.*

- Quite los pernos y las tuercas de la bolsa de tornillería
- Alinee el conector del extremo superior con el conector del extremo inferior de la herramienta.
- Deslice los conectores para unirlos y, con la llave hexagonal proporcionada, asegure los pernos y las tuercas. Ajuste firmemente.

**NOTA:** Oriente las tuercas de modo que queden sobre las áreas huecas de los conectores.

## ADVERTENCIA

*De no armar correctamente la herramienta según se describe anteriormente, la herramienta podría separarse y causar graves lesiones personales.*

## PRECAUCIÓN

*Tenga cuidado al deslizar los extremos para unirlos a fin de evitar agarrarse los dedos o las manos.*

## ADVERTENCIA

*Esta recortadora de hilo no puede utilizarse con otros accesorios ni cabezales de corte. Intentar usar otros accesorios u otros cabezales de corte podría causar lesiones personales graves.*

### Montaje del mango delantero

*Vea la figura 3.*

- Quite los pernos, las arandelas planas y las arandelas de fijación del mango frontal.
- Instale el mango entre la flecha y el conector de la parte superior de la herramienta.

**NOTA:** Una vez instalado, el mango delantero hará un ángulo hacia el operador.

- Si es necesario, suba o baje el mango para ajustarlo a la posición de manejo deseada.

**NOTA:** El mango delantero siempre debe colocarse más allá de la flecha. Esta es la distancia mínima aceptable entre el mango delantero y trasero.

- Vuelva a instalar las arandelas y los pernos, ajuste firmemente.

# FUNCIONAMIENTO

## ADVERTENCIA

*No permita que su familiarización con las herramientas lo vuelva descuidado. Tenga presente que un descuido de un instante es suficiente para causar una lesión grave.*

## ADVERTENCIA

*Siempre póngase protección ocular con la marca de cumplimiento de la norma ANSI Z87.1. La inobservancia de esta advertencia puede causar el lanzamiento de objetos a los ojos, y por consecuencia posibles lesiones serias.*

## ADVERTENCIA

*Nunca use hojas, dispositivos móviles, alambre ni cuerdas en este producto. No utilice ningún aditamento o accesorio no recomendado por el fabricante de este producto. El empleo de aditamentos o accesorios no recomendados puede causar lesiones serias.*

## AVISO

*Inspeccione periódicamente todo el producto para detectar partes dañadas, faltantes o sueltas, como tornillos, tuercas, pernos, tapas, etc. Apriete firmemente todos los sujetadores y las tapas y no accione este producto hasta que todas las partes faltantes o dañadas sean reemplazadas. Póngase en contacto con el servicio al cliente o con un centro de servicio autorizado para obtener ayuda.*

Este producto acepta los paquetes de baterías de iones de litio de ECHO 58 V solamente.

Para ver las instrucciones de carga completas, consulte los manuales del operador del paquete de baterías ECHO y los modelos de cargador.

## ADVERTENCIA

*Retire siempre el paquete de baterías de la herramienta antes de instalar las piezas, realizar ajustes, limpiarla o cuando no la utilice. Retirar el paquete de baterías evitará que la unidad se accione accidentalmente y provoque lesiones graves.*



# FUNCIONAMIENTO

## Instalación/extracción de la batería

Vea la figura 4.

### Para instalar el paquete de baterías:

- Alinee la ranura exterior del paquete de baterías con la costilla realzada interior del receptáculo para pilas de la herramienta y coloque el paquete de baterías en la herramienta.

### ADVERTENCIA

**Asegúrese de que el pestillo de la herramienta est adecuadamente en su lugar y que el paquete de baterías esté bien colocado y asegurado en el puerto de batería de la herramienta antes de que encenderla. No asentar el paquete de baterías correctamente podría provocar que el paquete de baterías se caiga y cause lesiones personales graves.**

### Para retirar el paquete de baterías:

- Presione el botón del pestillo de la batería en la herramienta y tire del paquete de baterías hacia fuera mediante el mango.

### ADVERTENCIA

**Para evitar lesiones corporales serias, siempre desmonte de la herramienta el paquete de baterías y mantenga manos vacías del gatillo con seguro al llevar herramienta.**

## Encendido y apagado de la recortadora

Vea la figura 5.

### Para encendido:

- Seleccione la velocidad de funcionamiento deseada (ALTA o BAJA).
- Oprima y no suelte el botón del seguro.
- Oprima el gatillo del interruptor.

### Para apagado:

- Suelte el gatillo cuando desee apagar la recortadora de hilo.
- Al soltar el gatillo, el botón del seguro regresa automáticamente a la posición de aseguramiento.

## Manejo de la recortadora de hilo

Vea la figura 6.

### ADVERTENCIA

**Mantenga siempre la recortadora de hilo alejada del cuerpo, manteniendo un espacio entre el cuerpo y la recortadora de hilo. Cualquier contacto con el cabezal de corte de la recortadora de hilo en funcionamiento podría causar lesiones personales de gravedad.**

Sujete la recortadora con la mano derecha en el mango trasero y coloque la mano izquierda en el mango delantero.

Sujete firmemente la unidad con ambas manos durante la operación. Se recomienda sujetar la recortadora en una posición cómoda, con el mango trasero a la altura de la cadera.

Corte la hierba alta desde la parte superior hacia abajo. Esto evitará que la hierba se enrolle alrededor del alojamiento del eje y del cabezal del hilo que pudiese causar daño por calentamiento excesivo. Si la hierba se enrolla alrededor del cabezal del hilo, DETENGA EL MOTOR, retire el paquete de baterías, y desprenda la hierba.

## Sugerencias para cortar

Vea las figuras 6 y 7.

- Evite tocar las superficies calientes de la herramienta; para ello, manténgala lejos del cuerpo. (La posición correcta de manejo de la herramienta se muestra en la figura 6).
- Mantenga la recortadora inclinada hacia el área de corte; ésta es la mejor área de corte.
- La recortadora de eje curvo corta cuando se pasa la unidad de izquierda a derecha. La recortadora de eje recto corta cuando se pasa la unidad de izquierda a derecha. De esta manera se evita el lanzamiento de desechos hacia el operador. Evite cortar en el área peligrosa mostrada en la ilustración en la figura 7.
- Use la punta del hilo para efectuar el recorte; no fuerce el cabezal del hilo hacia la hierba sin cortar.
- Las cercas de alambre y de estacas causa desgaste adicional en el hilo, incluso la ruptura. Los muros de piedra y de ladrillo, los cordones y la madera pueden gastar rápidamente el hilo.
- Evite el contacto con árboles y los arbustos. La corteza de los árboles, las molduras de madera, los revestimientos de las paredes y los postes de las cercas pueden resultar dañados fácilmente por el hilo.

## Avance del hilo

- Presione el gatillo del interruptor por completo por en marcha el motor.
- Golpee levemente el cabezal sobre el suelo para hacer avanzar el hilo. El hilo avanza cada vez que se golpea el cabezal.

**NOTA:** Quizá se necesiten varios golpes hasta que el hilo haga contacto con la cuchilla de corte.

- Reanude el recortado.

**NOTA:** Si el hilo se gasta hasta quedar muy corto quizá no pueda avanzar el hilo tras golpear el cabezal contra el suelo. Si así fuese, DETENGA EL MOTOR, retire el paquete de baterías y avance manualmente el hilo.

### Para avance manualmente el hilo:

- Apagar la unidad y retire el paquete de baterías.
- Presione la superficie del cabezal del hilo, luego tire de la línea para avanzar manualmente.



# FUNCIONAMIENTO

## ⚠ ADVERTENCIA

**La cuchilla de cortar el hilo del deflector de pasto está afilada. Evite tocar la cuchilla. Si no evita tal contacto puede originarse lesiones corporales serias.**

### Cuchilla de corte del hilo

Vea las figuras 8 y 9.

Esta recortadora está equipada con una cuchilla de corte del hilo instalada en el protección contra fragmentos. Para obtener mejores resultados en el recorte, avance el hilo hasta que la cuchilla lo corte a la longitud apropiada. Avance el hilo siempre que escuche que el motor está funcionando

más rápido de lo normal, o cuando disminuya la eficiencia del recorte. Esto mantendrá un desempeño óptimo y mantendrá el hilo a la suficiente longitud para que avance correctamente.

Este recortadora de hilo es puesto actualmente en el 406 mm (16 pulg.) ancho de corte. Para ajustar a una ancho de corte de 356 mm (14 pulg.):

- Apague el motor y retire el paquete de baterías.
- Retire los tornillos de la hoja y tuercas.
- Gira la hoja 180°.
- Réinstalar de los tornillos de la hoja y tuercas. Apriete firmemente.

# MANTENIMIENTO

## ⚠ ADVERTENCIA

**Antes de inspeccionar, limpiar o dar mantenimiento la máquina, apague el motor, espere a que todas las partes en movimiento se detengan y quite la batería. El incumplimiento de estas instrucciones puede provocar lesiones personales graves o daños materiales.**

## ⚠ ADVERTENCIA

**Siempre póngase protección ocular con protección lateral con la marca de cumplimiento de la norma ANSI Z87.1. La inobservancia de esta advertencia puede permitir que los objetos lanzados hacia los ojos puedan provocar lesiones graves.**

## ⚠ ADVERTENCIA

**Al dar servicio a la unidad, sólo utilice piezas de repuesto idénticas. El empleo de piezas diferentes podría causar un peligro o dañar el producto.**

## ⚠ ADVERTENCIA

**Cualquier establecimiento o técnico de reparaciones calificado puede realizar el mantenimiento normal, el reemplazo o la reparación de los dispositivos y sistemas de control de emisiones, con repuestos originales o equivalentes. Un centro de servicio autorizado deberá realizar las reparaciones y el retiro del producto que cubra la garantía; póngase en contacto con el servicio al cliente para obtener ayuda.**

### Mantenimiento general

Evite el empleo de solventes al limpiar piezas de plástico. La mayoría de los plásticos son susceptibles a diferentes tipos de solventes comerciales y pueden resultar dañados. Utilice paños limpios para eliminar la suciedad, el polvo, el aceite, la grasa, etc.

## ⚠ ADVERTENCIA

**No permita en ningún momento que fluidos para frenos, gasolina, productos a base de petróleo, aceites penetrantes, etc., lleguen a tocar las piezas de plástico. Las sustancias químicas pueden dañar, debilitar o destruir el plástico, lo cual a su vez puede producir lesiones corporales serias.**

### Reemplazo del cabezal de la recortadora

Vea la figura 10.

Debe reemplazar el cabezal de hilo cada vez que haya daños visibles o cuando los indicadores de desgaste en la superficie están desgastados. Si únicamente va a reabastecer el hilo, consulte la sección **Reabastecimiento del hilo** más adelante en este manual.

- Apague la unidad y retire el paquete de baterías.
- Coloque la llave hexagonal a través de la ranura en el deflector de pasto y de eje de engranajes de salida.
- Gire el cabezal de hilo en el sentido de las agujas del reloj hasta que pueda extraerlo de eje de engranajes de salida.
- Instale el nuevo cabezal de hilo y gire en el sentido contrario a las agujas del reloj para fijarlo.

### Reabastecimiento del hilo

Vea las figuras 11 a 14.

Solo use línea para recortadora redonda de 2,03 mm (0,08 pulg.), trenzada de 2,03 mm (0,08 pulg.), trenzada de 2,41 mm (0,095 pulg.) u octogonal de 2,41 mm (0,095 pulg.) de diámetro.

- Apagar la unidad y retire el paquete de baterías.
- Gire el cabezal de hilo todo lo necesario para alinear las orejetas del alojamiento del cabezal de hilo con las flechas de la base del cabezal de hilo.

# MANTENIMIENTO

- Corte una pieza de hilo monofilar de 3,67 m (12 pies) de largo. Inserte el hilo en el ojillo ubicado en el alojamiento de la recortadora de hilo. Empuje hasta que el extremo del hilo salga por el otro lado del cabezal del hilo. Tire del hilo del otro lado hasta que obtenga la misma cantidad de hilo en ambos lados.
- Mientras sujeta el cuerpo de la cabeza de corte, gire la base de la cabeza de corte a la izquierda para cerrar la línea en el carrete hasta que el alambre es superior a 152,4 mm (6 pulg.) en cada lado.
- Empuje hacia abajo la superficie del cabezal de hilo mientras tira de la línea para avanzarla manualmente y verificar el armado del cabezal de hilo.

## Almacenamiento de la recortadora

- Retire el paquete de baterías de la recortadora de hilo antes de almacenarla.
- Limpie todos los desechos presentes en la recortadora.
- Almacene la unidad en un espacio inaccesible a los niños.
- Mantenga la unidad alejada de agentes corrosivos como los productos químicos para el jardín y las sales para derretir el hielo.

# CORRECCIÓN DE PROBLEMAS

| Problema  | Causa posible  | Solución   |
|---|--|--|
| No avanza el hilo   | El hilo se pegó a sí mismo.                                      | Lubrique con rociador de silicón.  |
|   | No hay suficiente hilo en el carrete.                            | Instale más hilo. Vea la sección <b>Reemplazo del hilo</b> arriba en este manual.  |
|   | El hilo se desgastó hasta quedar muy corto.                      | Tire de hilo secuencias mientras que presione la superficie del cabezal del hilo.  |
|   | El hilo está enredado en el carrete.                             | Retire el hilo del carrete y vuelva a enrollarlo. Vea la sección <b>Reemplazo del hilo</b> arriba en este manual.  |
|   | El carrete del cabezal del hilo no está correctamente instalado. | Si el cabezal del hilo se ha desarmado por alguna razón, asegúrese de que el lado del carrete que tiene la marca de la letra L quede enfrentado hacia afuera al volverlo a armar.  |
| El césped se enrolla alrededor del alojamiento del eje y del cabezal del hilo | Se está cortando la hierba alta a nivel del suelo.               | Corte la hierba alta desde la parte superior hacia abajo.  |
| El motor falla de arranque cuando disparador de gatillo del interruptor       | La paquete de baterías no está fija.                             | Para fijar el paquete de baterías, asegúrese de que la batería esté completamente asentada y que el pestillo de la herramienta esté encastrado en su lugar.  |
|   | La paquete de baterías no está cargada.                          | Cargue el paquete de baterías según las instrucciones incluidas con su modelo.   |
| El motor se detiene mientras está presionado el gatillo del interruptor.      | El motor está sobrecargado.                                      | Suelte el gatillo del interruptor, espere algunos segundos y vuelva a presionar el gatillo nuevamente. El motor debería reiniciarse. Si no lo hace, retire el paquete de baterías, vuelva a instalarlo e inténtelo nuevamente. |

# GARANTÍA

## Declaración de la garantía limitada

OWT Industries, Inc. garantiza al comprador original al menudeo que este producto para exteriores de la marca ECHO 58 V carece de defectos en los materiales y en la mano de obra, y acuerda reparar o reemplazar, a la sola discreción de OWT Industries, Inc., y/o ECHO Inc., cualquier producto defectuoso, sin cargo alguno al comprador, dentro de los siguientes períodos de tiempo a partir de la fecha de compra.

- Cinco años si los productos se emplean para uso personal, familiar, o casero;
- Dos años si el producto se emplea para el uso comercial;
- Noventa días si emplea para el uso alquiler.

Esta garantía se otorga solamente al comprador original al menudeo, y comienza en la fecha de la compra original al menudeo.

Cualquier parte de este producto que OWT Industries, Inc., y/o ECHO Inc., considere, a su criterio razonable, tiene un defecto de materiales o de manufactura se reparará o cambiará sin costo de repuestos o mano de obra en un centro de servicio técnico autorizado por productos para exteriores ECHO marca 58 V. Los repuestos que se utilicen en reparaciones y los accesorios reemplazados amparadas bajo garantía seguirá estando garantizada por la garantía durante el período de garantía restante.

El producto, incluida toda pieza defectuosa, debe enviarse a un centro de servicio técnico autorizado por productos para exteriores ECHO marca 58 V dentro del período de la garantía. El gasto de enviar el producto al centro de servicio para cualquier trabajo cubierto por la garantía, así como el gasto de devolverlo al propietario después de la reparación, correrán por cuenta del propietario. La responsabilidad de OWT Industries, Inc., y ECHO Inc., con respecto a todo reclamo se limita a las reparaciones o reemplazo del producto, y ningún reclamo de incumplimiento de la garantía será causante de la cancelación o rescisión del contrato de venta de ninguna herramienta de uso en el exterior de la marca ECHO brand 58 V. En el establecimiento se requerirá el recibo de compra para respaldar cualquier reclamo al amparo de la garantía. Todo trabajo cubierto en la garantía debe ser realizado por un un centro de servicio técnico autorizado por productos para exteriores ECHO marca 58 V. Esta garantía no cubre ningún producto que haya sido sujeto a un uso indebido, maltrato, negligencia o accidente, o que haya sido utilizado de cualquier forma contraria a las instrucciones de manejo especificadas en el manual del operador del producto. Esta garantía no aplica a ningún daño en el producto que resulte de un mantenimiento indebido ni a ningún producto que haya sido alterado o modificado. La garantía no cubre ninguna reparación necesaria por el uso normal ni por el uso de piezas o accesorios que sean incompatibles con la herramienta para uso exterior de la marca ECHO brand 58 V, o afecten de forma desfavorable su funcionamiento, desempeño o durabilidad. Además, esta garantía no cubre el desgaste de artículos normales como, entre otros, los siguientes:

Artículos sujetos a desgaste – Perillas de tope, carretes exteriores, hilos de corte, carretes interiores, poleas del

arrancador, cuerdas del arrancador, correas de transmisión, aspas, arandelas de fieltro y pasadores de enganche, hojas de triturar, ventiladores de sopladoras, tubos de sopladoras y de aspiradoras, sacos y correas de aspiradoras, barras guía y cadenas de sierras

OWT Industries, Inc., y ECHO Inc., se reserva el derecho de cambiar o mejorar el diseño de este producto sin asumir cualquier obligación de modificar cualquier producto anteriormente fabricado.

TODAS LAS GARANTÍAS IMPLÍCITAS ESTÁN LIMITADAS EN DURACIÓN SEGÚN EL PERÍODO DE GARANTÍA DECLARADA. POR CONSIGUIENTE, CUALQUIER GARANTÍA IMPLÍCITA, INCLUSO LAS DE COMERCIABILIDAD, IDONEIDAD PARA UN PROPÓSITO EN PARTICULAR, O DE CUALQUIER TIPO, PIERDEN TOTALMENTE SU VALIDEZ DESPUÉS DEL VENCIMIENTO DEL PERÍODO DE GARANTÍA CORRESPONDIENTE DE CINCO AÑOS, DOS AÑOS O NOVENTA DÍAS. DE CONFORMIDAD CON ESTA GARANTÍA, LA OBLIGACIÓN DE OWT INDUSTRIES, INC., Y ECHO INC., SE LIMITA ESTRICTA Y EXCLUSIVAMENTE A LA REPARACIÓN O REPLAZO DE LAS PIEZAS DEFECTUOSAS, Y OWT INDUSTRIES, INC., Y ECHO INC., NO ASUME NINGUNA OTRA OBLIGACIÓN, NI AUTORIZA A NADIE ASUMIRLA A NOMBRE DE DICHA COMPAÑÍA. ALGUNOS ESTADOS NO PERMITEN LIMITACIONES EN CUANTO A LA DURACIÓN DE UNA GARANTÍA IMPLÍCITA, POR LO CUAL ES POSIBLE QUE LA LIMITACIÓN ANTERIOR NO SE APLIQUE EN EL CASO DE USTED. OWT INDUSTRIES, INC., Y ECHO INC., NO ASUME NINGUNA RESPONSABILIDAD POR DAÑOS DIRECTOS, INDIRECTOS O DE NINGÚN OTRO TIPO, COMO EL GASTO DE ENVIAR EL PRODUCTO A UN CENTRO DE SERVICIO TÉCNICO AUTORIZADO POR PRODUCTOS PARA EXTERIORES ECHO MARCA 58 V Y EL GASTO DE ENVIARLO DE ALLÍ AL PROPIETARIO, EL TIEMPO DE VIAJE DEL MECÁNICO, CARGOS TELEFÓNICOS O TELEGRÁFICOS, ALQUILER DE UN PRODUCTO SUSTITUTO DURANTE EL TIEMPO DE REALIZACIÓN DEL SERVICIO DE LA GARANTÍA, VIAJES, PÉRDIDA O DAÑOS A OBJETOS DE PROPIEDAD PERSONAL, PÉRDIDA DE INGRESOS, PÉRDIDA DEL USO DEL PRODUCTO, PÉRDIDA DE TIEMPO O INCONVENIENTES. EN ALGUNOS ESTADOS NO SE PERMITE LA EXCLUSIÓN O LIMITACIÓN DE DAÑOS DIRECTOS O INDIRECTOS, POR LO CUAL ES POSIBLE QUE LA LIMITACIÓN O EXCLUSIÓN DESCRITA ARRIBA NO SE APLIQUE EN SU CASO.

Esta garantía le confiere derechos legales específicos, y es posible que usted goce de otros derechos, los cuales pueden variar de estado a estado.

Esta garantía se aplica a todas las herramientas para uso en el exterior de la marca ECHO brand 58 V fabricadas por OWT Industries, Inc., y/o ECHO Inc., y vendidos en Estados Unidos y Canadá.

Para encontrar el centro de servicio autorizado de la marca ECHO 58 V más cercano a usted, visitar [www.echocordless.com](http://www.echocordless.com) o llame al 1-877-396-3036.

**Operator's Manual**  
**Manuel d'utilisation / Manual del operador**



**58 Volt String Trimmer**

**Taille-bordures à ligne de 58 V / Recortadora de hilo de 58 V**

**CDST-58V**

**PARTS AND SERVICE**

Prior to requesting service or purchasing replacement parts, please obtain your item, manufacturing, and serial numbers from the product data plate.

**Item No.** \_\_\_\_\_ **Serial No.** \_\_\_\_\_

**Manufacturing No.** \_\_\_\_\_

**To obtain replacement parts:** Replacement parts can be purchased by calling 1-877-396-3036. Replacement parts can also be obtained at one of our service centers for ECHO brand 58 V outdoor products.

**To locate a service center:** Service centers for ECHO brand 58 V outdoor products can be located online at [www.echocordless.com](http://www.echocordless.com) or by calling 1-877-396-3036.

**To obtain customer or technical support:** To obtain customer or technical support, please contact us at 1-877-396-3036.

**PIÈCES ET SERVICE**

Avant de faire la demande de service ou l'achat de pièces de remplacement, veuillez obtenir le numéro d'article, le numéro de fabrication et le numéro de série à partir de la plaque de données du produit.

**Numéro d'article** \_\_\_\_\_ **Numéro de série** \_\_\_\_\_

**Numéro de fabrication** \_\_\_\_\_

**Pour obtenir les pièces de remplacement :** Les pièces de remplacement peuvent être achetées par téléphone au 1-877-396-3036. Les pièces de remplacement peuvent être obtenues à un de nos centres de service pour la marque ECHO 58 V produits d'extérieur.

**Pour trouver un centre de service :** Les centres de service pour la marque ECHO 58 V produits d'extérieur peuvent être localisés en ligne au [www.echocordless.com](http://www.echocordless.com) ou en téléphonant au 1-877-396-3036.

**Pour obtenir de l'aide en contactant le service à la clientèle :** Pour contacter le service à la clientèle pour une question technique ou pour tout autre renseignement, veuillez nous téléphoner au 1-877-396-3036.

**PIEZAS DE REPUESTO Y SERVICIO**

Antes de solicitar servicio técnico o comprar piezas de repuesto, obtenga su número de artículo, el número de fabricación y el número de serie de la placa de datos del producto.

**Número de artículo** \_\_\_\_\_ **Número de serie** \_\_\_\_\_

**Número de fabricación** \_\_\_\_\_

**Para obtener piezas de repuesto:** Las piezas de repuesto se pueden comprar en llamando al 1-877-396-3036. Las piezas de repuesto también se pueden obtener en uno de nuestros centros de servicio para la marca ECHO 58 V productos para exteriores.

**Para localizar un centro de servicio:** Puede encontrar los centros de servicio para la marca ECHO 58 V productos para exteriores visitando nuestro sitio en la red mundial, en la dirección [www.echocordless.com](http://www.echocordless.com) or by calling 1-877-396-3036.

**Para obtener servicio o asistencia técnica al consumidor:** Para obtener servicio o asistencia técnica al consumidor, sírvase comunicarse con nosotros llamando al 1-877-396-3036.

ECHO is a trademark of ECHO Incorporated / ECHO est une marque d'ECHO Incorporated / ECHO es una marca de ECHO Incorporated

**OWT INDUSTRIES, INC.**

P.O. Box 1427,  
Anderson, SC 29622, USA  
1-877-396-3036  
[www.echocordless.com](http://www.echocordless.com)