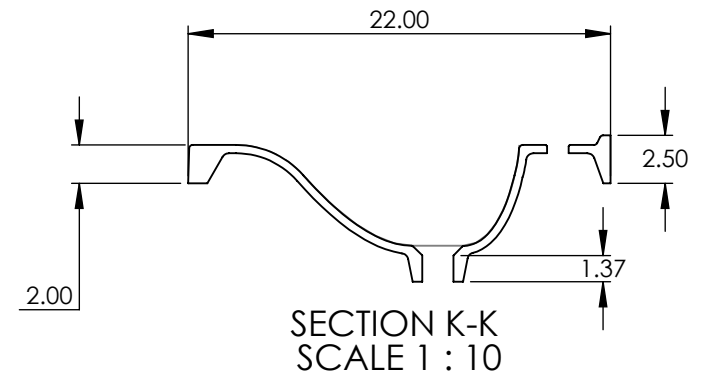
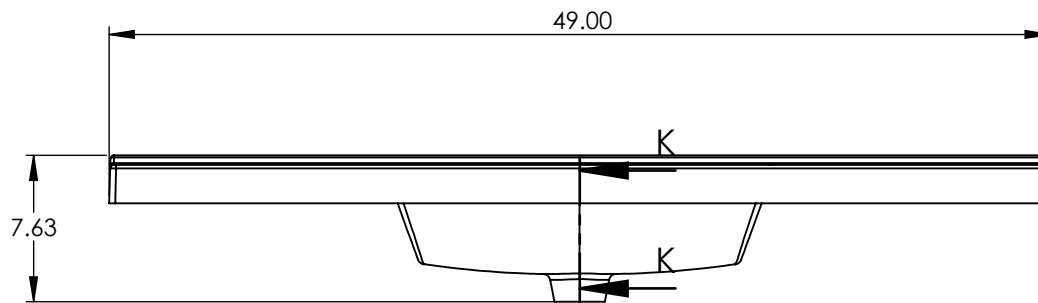
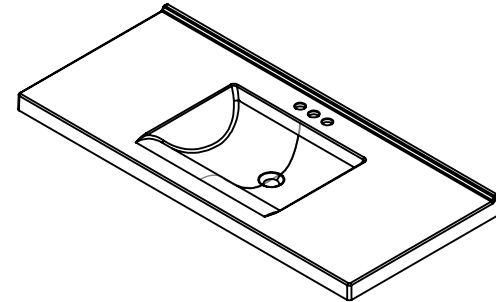
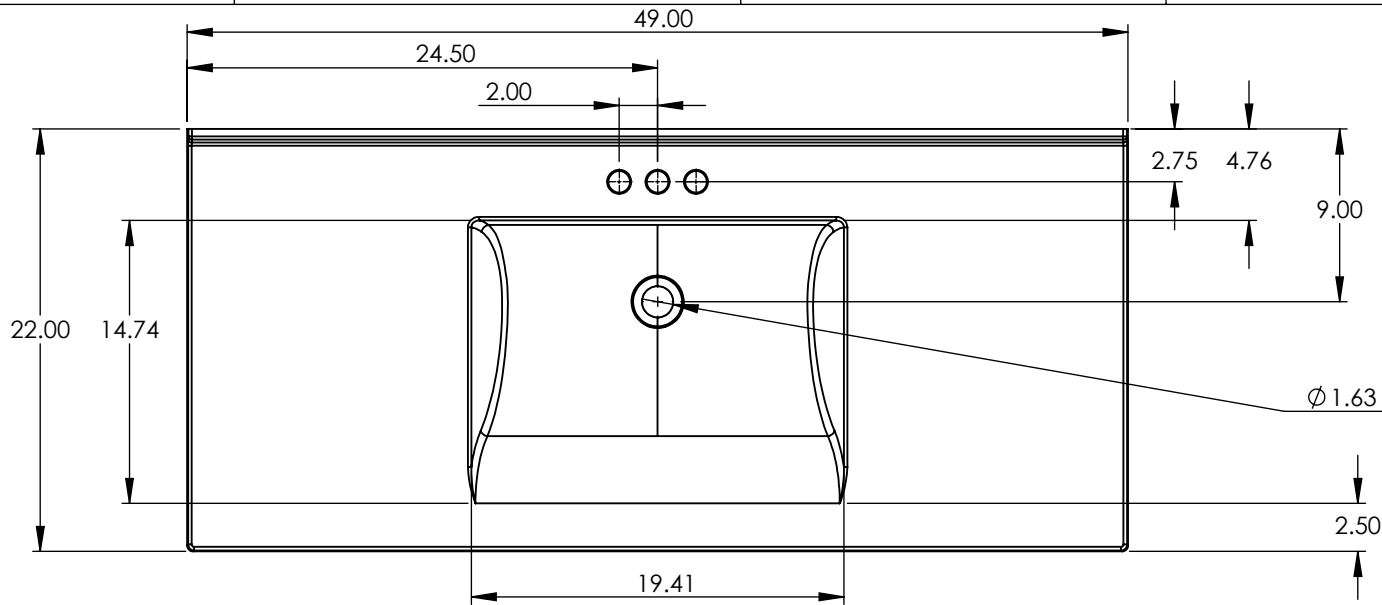



|            |               |              |                |
|------------|---------------|--------------|----------------|
| ID         | Description   | Technology   | Status         |
| HU4922R-WH | Wave 31x22 in | AB Composite | Design Process |



ESTIMATED WEIGHT: 26.5 KG.

|  |  |           |             |   |  |  |         |
|--|--|-----------|-------------|---|--|--|---------|
| <p><b>PROPRIETARY AND CONFIDENTIAL</b></p> <p>THE INFORMATION CONTAINED IN THIS DRAWING IS THE SOLE PROPERTY OF WOODCRAFTERS. ANY REPRODUCTION IN PART OR AS A WHOLE WITHOUT THE WRITTEN PERMISSION OF WOODCRAFTERS IS PROHIBITED.</p> | <p>UNLESS OTHERWISE SPECIFIED</p> <p>DIMENSIONS ARE IN MM. AND (INCHES)</p> <p>TOLERANCES ARE<br/>+ 0.125 [3.175] - 0.125 [-3.175]</p> <p>SCALE:1:10</p> | NAME      | DATE        |  | <p>SIZE DWG. NO.</p> <p><b>A</b> Wave 49x22 in</p> | <p>SHEET 1 OF 1</p> <p>REV. <b>1</b></p> |         |
|  |  | DRAWN     | E. Sandoval |   |  |  | 4/01/16 |
|  |  | CHECKED   | R. Rubio    |   |  |  | 4/01/16 |
|  |  | ENG APPR. | V. Sanchez  |   |  |  | 4/01/16 |
| MFG APPR.  | C. Leal  | 4/01/16   |             |   |  |  |         |