

30" Single Wall Oven

800 Series – Black Stainless Steel HBL8442UC



BOSCH
Invented for life



HBL8442UC
Black Stainless Steel

Also available in:

Black HBL8461UC
Stainless Steel HBL8451UC

Bosch black stainless steel helps guard against scratches and fingerprints.

Features & Benefits

Dampened hinges softly and quietly guide the QuietClose® door shut.

A full-extension telescopic rack offers safe access to the oven cavity.

The wall oven is designed to be installed flush with cabinetry.

Bosch wall ovens are compatible with most competitors' cutouts.

Genuine European Convection for even baking results on multiple racks.

General Properties

Cooking modes	Bake, Variable Broil (hi & low), Roast, Warm, Sabbath, Proof Dough, Convection Bake, Convection Broil, Convection Roast, Pizza, Multi Rack Genuine European Convection, Convection Conversion, Temperature Probe, Fast Preheat
---------------	--

Cleaning type Self Clean

Telescopic rack 1

Illumination type Incandescent

Interior lights 2

Oven Performance

Bake / broil element wattages 2,400 / 3,800 W

Convection element wattages 2,000 W

Technical Details

Watts (W) 6,325 W

Circuit breaker (A) 30 A

Volts (V) 240 / 208 V

Frequency (Hz) 60 Hz

Power cord length (in) 50"

Plug type Fixed Connection, No Plug

Energy source Electric



Dimensions & Weight

Overall appliance dimensions (HxWxD)(in) 29" x 29 3/4" x 24 1/2"

Required cutout size (HxWxD) (in) 27" – 28 5/8" x 28 1/2" x 23 1/2"

Oven cavity size (cu. ft.) 4.6

Overall oven interior dimensions (HxWxD) (in) 17 13/16" x 24 1/8" x 18"

Usable oven interior dimensions (HxWxD) (in) 12 5/16" x 23 1/4" x 15 1/4"

Net weight (lbs) 149 lbs

Accessories—Included

Included 1 Telescopic and 2 Standard Oven Racks, Temperature Probe

Accessories—Optional



HEZTR301
30" Telescopic Rack

Accessories: To purchase Bosch accessories, cleaners & parts please visit www.bosch-home.com/us/store or call 1-800-944-2904 (Mon to Fri 5 am to 6 pm PST, Sat 6 am to 3 pm PST).

Notes: All height, width and depth dimensions are shown in inches. BSH reserves the absolute and unrestricted right to change product materials and specifications, at any time, without notice. Consult the product's installation instructions for final dimensional data and other details prior to making cutout.

Warranties: Please see Use & Care manual or Bosch website for statement of limited warranty.

For more information on our entire line of products, go to www.bosch-home.com/us or call 1-800-944-2904

© BSH Home Appliances Corporation. All rights reserved. Bosch is a registered trademark of Robert Bosch GmbH.

30" Single Wall Oven

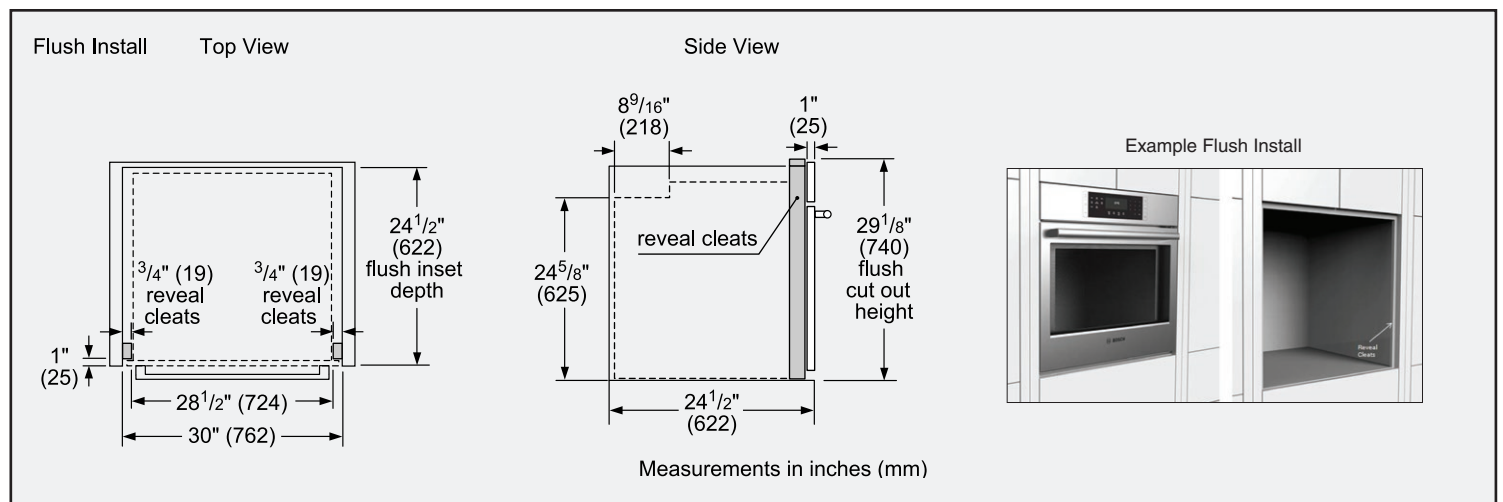
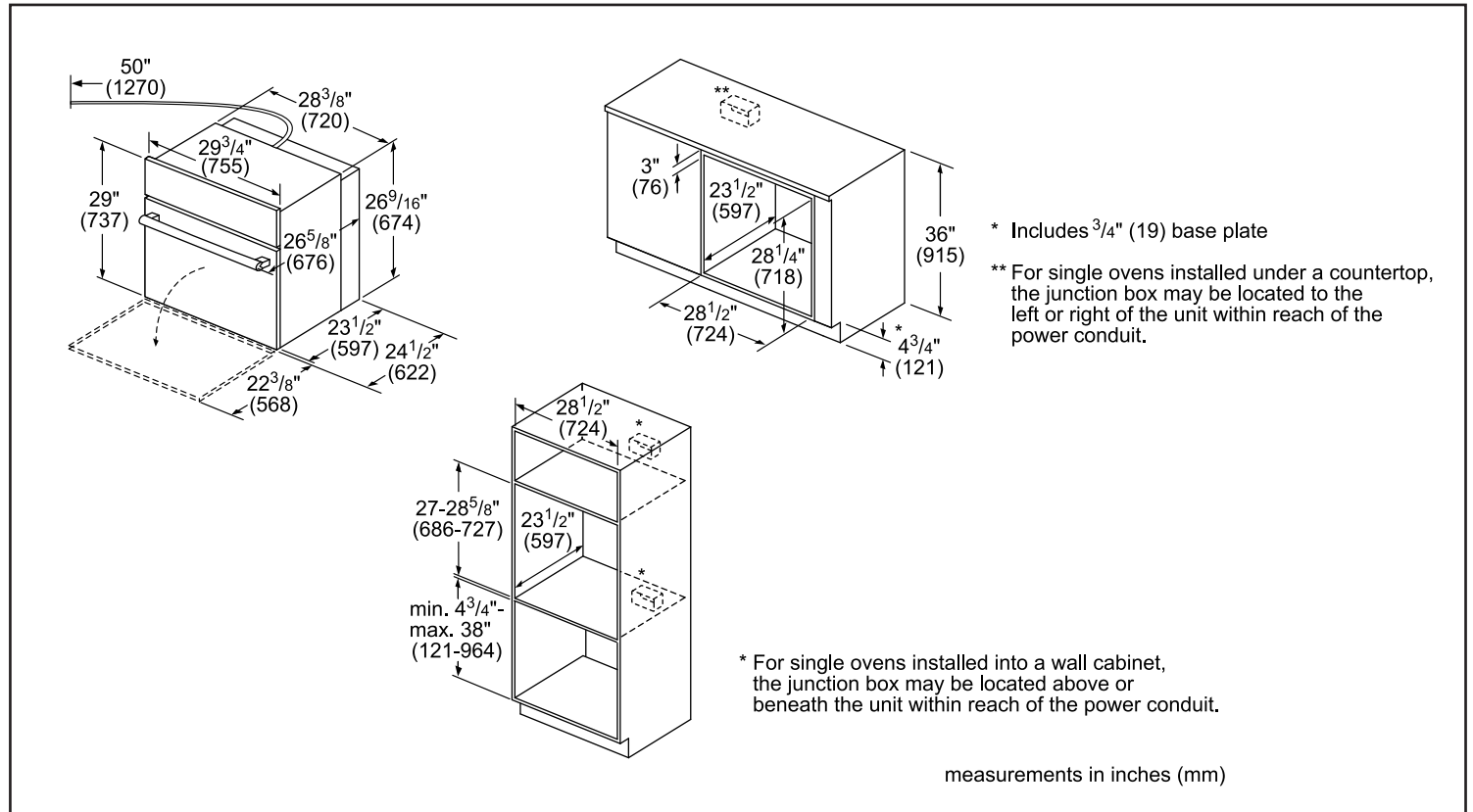
800 Series – Black Stainless Steel HBL8442UC



BOSCH

Invented for life

Installation Details



Accessories: To purchase Bosch accessories, cleaners & parts please visit www.bosch-home.com/us/store or call 1-800-944-2904 (Mon to Fri 5 am to 6 pm PST, Sat 6 am to 3 pm PST).

Notes: All height, width and depth dimensions are shown in inches. BSH reserves the absolute and unrestricted right to change product materials and specifications, at any time, without notice. Consult the product's installation instructions for final dimensional data and other details prior to making cutout.

Warranties: Please see Use & Care manual or Bosch website for statement of limited warranty.

For more information on our entire line of products, go to www.bosch-home.com/us or call 1-800-944-2904

© BSH Home Appliances Corporation. All rights reserved. Bosch is a registered trademark of Robert Bosch GmbH.

30" Single Wall Oven

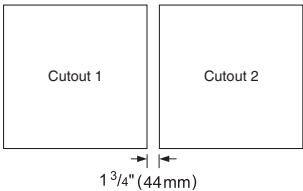
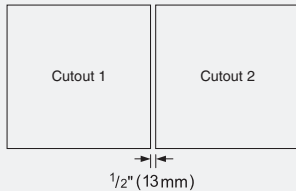
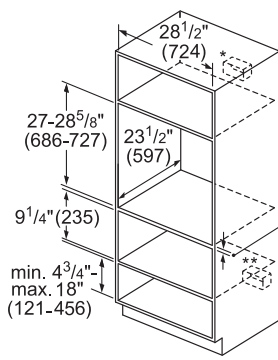
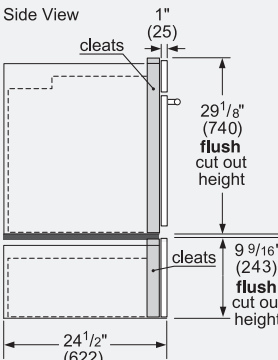
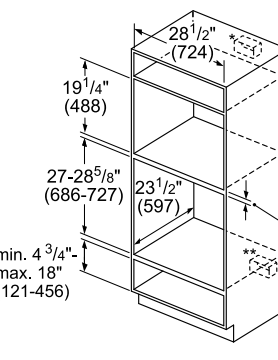
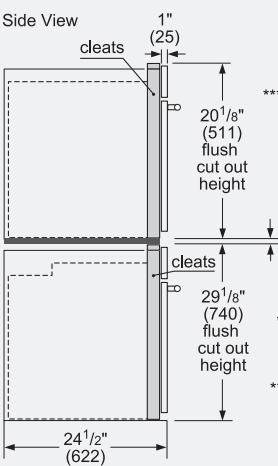
800 Series – Black Stainless Steel HBL8442UC



BOSCH

Invented for life

Installation Details

<p style="text-align: center;">Standard</p>  <p style="text-align: center;">Cutout 1 Cutout 2</p> <p style="text-align: center;">$1\frac{3}{4}"$ (44mm)</p>	<p style="text-align: center;">Side-by-Side Installation</p> <p>The ovens will overlap the cutout resulting in a $\frac{1}{2}"$ (13mm) spacing between the products.</p> <p>IMPORTANT: The spacing between cutouts applies when installing any Bosch 30" or 27" single, double, combination and 27"/30" compact oven in a side-by-side installation.</p>	<p style="text-align: center;">Flush</p>  <p style="text-align: center;">Cutout 1 Cutout 2</p> <p style="text-align: center;">$\frac{1}{2}"$ (13mm)</p>
<p>Standard Installation 30" Single Oven over Storage or Warming Drawer</p>  <p>* Wall oven junction box may be located above or right or left of the unit within reach of the power conduit.</p> <p>** Electrical hook up may be located below (depending on space) or next to the drawer within the reach of the power cord.</p> <p>minimum $\frac{3}{4}"$ (18mm) required between cutouts</p> <p style="text-align: right;">measurements in inches (mm)</p>	<p>Flush Installation Single Oven over Storage or Warming Drawer</p> <p>Side View</p>  <p>Single Wall Oven</p> <p>* IMPORTANT: base has to be able to support oven weight. Please check oven manual for minimum weight requirements.</p> <p>minimum $\frac{1}{2}"$ (13) required between cutouts*</p> <p>Warming Drawer</p> <p style="text-align: right;">measurements in inches (mm)</p>	
<p>Standard Installation 30" Speed Oven or Microwave over Single Oven***</p>  <p>* Junction box may be located above or next to the unit within reach of the power cord.</p> <p>** Junction box may be located below (depending on space) or next to the unit within reach of the power cord.</p> <p>*** Most combinations available as combo oven (one cut out, one electrical hook up).</p> <p>Minimum dimension between cut outs:</p> <ul style="list-style-type: none"> • 1" (25 mm) for wall oven cut out height of 28⁵/₈" • 2⁵/₈" (67 mm) for wall oven cut out height of 27" <p style="text-align: right;">measurements in inches (mm)</p>	<p>Flush Installation Speed Oven or Microwave over 30" Single Oven**</p> <p>Side View</p>  <p>Speed Oven or Microwave</p> <p>*** Flush installation requires a base plate underneath the body: 30" Products – Dimensions: H $5\frac{9}{16}"$ (8) x W $28\frac{1}{2}"$ (724) x D $22\frac{1}{2}"$ (571)</p> <p>minimum $\frac{1}{2}"$ (13) required between cutouts*</p> <p>Wall Oven</p> <p>* IMPORTANT: Base has to be able to support oven weight. Please check oven manual for minimum weight requirements.</p> <p>** Most combinations available as combo oven (one cut out, one electrical hook up).</p> <p style="text-align: right;">measurements in inches (mm)</p>	

Accessories: To purchase Bosch accessories, cleaners & parts please visit www.bosch-home.com/us/store or call 1-800-944-2904 (Mon to Fri 5 am to 6 pm PST, Sat 6 am to 3 pm PST).

Notes: All height, width and depth dimensions are shown in inches. BSH reserves the absolute and unrestricted right to change product materials and specifications, at any time, without notice. Consult the product's installation instructions for final dimensional data and other details prior to making cutout.

Warranties: Please see Use & Care manual or Bosch website for statement of limited warranty.

For more information on our entire line of products, go to www.bosch-home.com/us or call 1-800-944-2904

© BSH Home Appliances Corporation. All rights reserved. Bosch is a registered trademark of Robert Bosch GmbH.