



**ARIENS**

# Apex

## Parts Manual

*Models:*

991151  
991153  
991155  
991157  
991173  
991175  
991177



# THE MANUAL

---

Before you operate your unit, carefully and completely read manuals supplied with the unit. The contents will provide you with an understanding of safety instructions and controls during normal operation and maintenance.

For your safety and the safety of others always read, understand, and follow all DANGER, WARNING, and CAUTION messages found in manuals and on safety decals.

Hardware descriptions are given in decimals.

Decimals to Fractions			
.063	1/16	.563	9/16
.125	1/8	.625	5/8
.188	3/16	.688	11/16
.250	1/4	.750	3/4
.313	5/16	.813	13/16
.375	3/8	.875	7/8
.438	7/16	.938	15/16
.500	1/2	1.00	1

## SERVICE AND REPLACEMENT PARTS

---

When ordering replacement parts or making service inquiries, know the Model and Serial numbers of your unit and engine.

Numbers are located on the product registration card in the unit literature package. They are printed on a serial number label, located on the frame of your unit.

- Record Unit Model and Serial numbers here:
  
  
  
  
  
  
  
  
  
  
- Record Engine Model and Serial numbers here:

## UNAUTHORIZED REPLACEMENT PARTS

Use only Ariens replacement parts. The replacement of any part on this vehicle with anything other than an Ariens authorized replacement part may adversely affect the performance, durability, or safety of this unit and may void the warranty. Ariens disclaims liability for any claims or damages, whether warranty, property damage, personal injury or death arising out of the use of unauthorized replacement parts.

# PRODUCT REGISTRATION

---

The Ariens dealer must register the product at the time of purchase. Registering the product will help the company process warranty claims or contact you with the latest service information. All claims meeting requirements during the limited warranty period will be honored, whether or not the product registration card is returned. Keep a proof of purchase if you do not register your unit.

**Customer Note:** If Dealer does not register your product, please fill out, sign and return the product registration card to Ariens or go to [www.ariens.com](http://www.ariens.com).

## YOUR SATISFACTION IS IMPORTANT

---

Questions? Please follow these helpful steps:

1. Refer to the manuals supplied with your unit.  
They will guide you through safe and proper operation and maintenance.  
They contain specifications on your unit.  
If your questions are not answered in these manuals, go to step number two.
2. Contact Your Dealer.  
Our dealers will be happy to supply any service or advice required to keep your unit operating at peak efficiency.  
A factory trained staff is available to support your equipment needs. They stock genuine Ariens parts and lubricants manufactured with the same precision and skill as the original.  
If your questions are not resolved by the support staff, ask for the manager or owner.  
When contacting your Dealer supply your model and serial numbers.

## TO SPEED PARTS ORDERING:

1. Know the model and serial numbers of your unit.
2. Know the part number required.
3. Know the quantity required.
4. Know the part description.

# MODELS

---

**Model 991151 (Apex 60)**

Kawasaki FR730, 60" Mower Deck  
Serial No. 015000 +

**Model 991153 (Apex 48)**

Kohler KT730, 48" Mower Deck  
Serial No. 015000 +

**Model 991155 (Apex 52)**

Kohler KT730, 52" Mower Deck  
Serial No. 015000 +

**Model 991157 (Apex 60)**

Kohler KT740, 60" Mower Deck  
Serial No. 015000 +

**Model 991173 (Apex 48 CARB)**

Kohler KT730, 48" Mower Deck  
Serial No. 015000 +

**Model 991175 (Apex 52 CARB)**

Kohler KT730, 52" Mower Deck  
Serial No. 015000 +

**Model 991177 (Apex 60 CARB)**

Kawasaki FR730, 60" Mower Deck  
Serial No. 015000 +

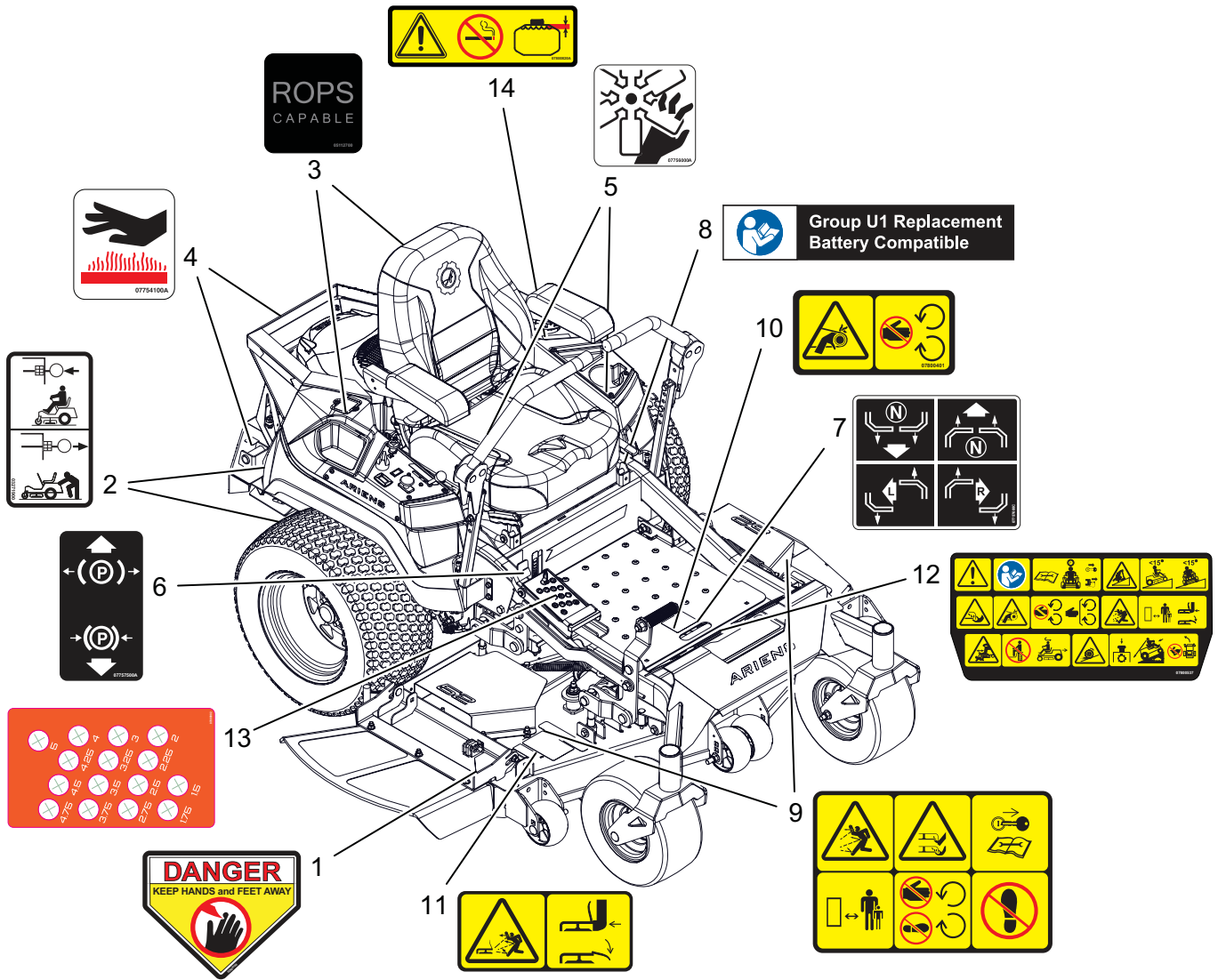
# TABLE OF CONTENTS

---

Decals – Safety .....	4
Decals – Style – 48" .....	5
Decals – Style – 52" .....	6
Decals – Style – 60" .....	7
Frame – 48" and 52" .....	8
Frame – 60" .....	9
Engine – Kawasaki FR730 .....	10
Engine – Kohler KT730 .....	11
Engine – Kohler KT740 .....	12
Clutch .....	13
Heat Shield .....	14
Seat .....	15
Engine Guard and Fenders .....	16
Fuel System – Kawasaki Non-CARB .....	17
Fuel System – Kohler Non-CARB .....	18
Fuel System – Kohler CARB .....	19
Fuel System – Kawasaki CARB .....	20
Controls .....	21
Parking Brake .....	22
Front Caster Wheels .....	23
Rear Tires and Transaxles – 48" .....	24
Rear Tires and Transaxles – 52" .....	25
Rear Tires and Transaxles – 60" .....	26
Transaxle Drive .....	27
Control Panel .....	28
Electrical .....	29
Wiring Diagram .....	30
Deck Lift – LH .....	31
Deck Lift – RH .....	32
Deck, Belts, Blades and Spindles – 48" .....	33
Deck, Belts, Blades and Spindles – 52" .....	34
Deck, Belts, Blades and Spindles – 60" .....	35
Idlers and Sheaves – 48" .....	36
Idlers and Sheaves – 52" .....	37
Idlers and Sheaves – 60" .....	38
Anti-Scalp Wheels and Baffle – 48" .....	39
Anti-Scalp Wheels and Baffle – 52" .....	40
Anti-Scalp Wheels and Baffle – 60" .....	41
Belt Guards – 48" .....	42
Belt Guards – 52" .....	43
Belt Guards – 60" .....	44
Discharge Chute .....	45

# DECALS – SAFETY

Models All

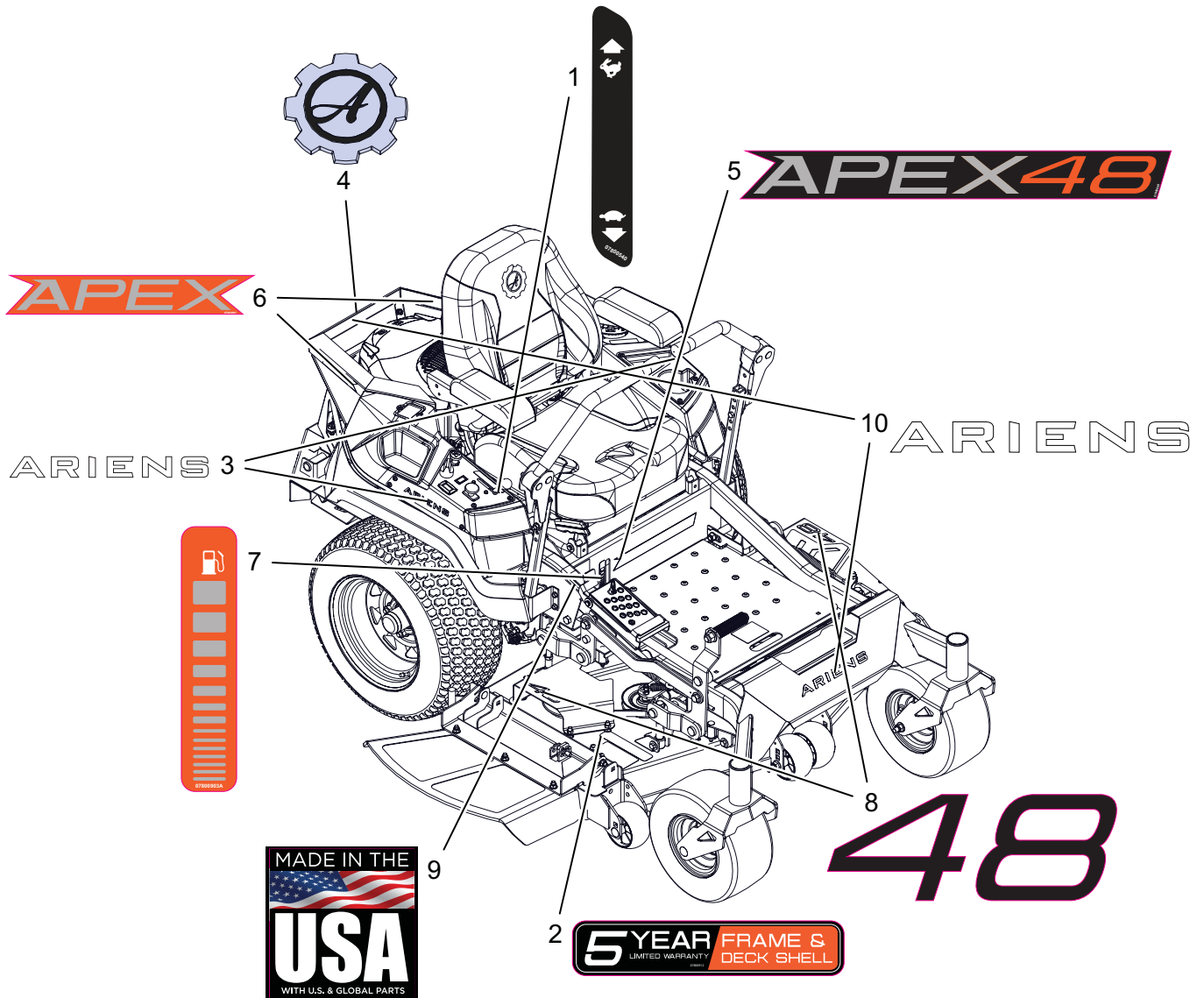


BOM ID	Number	Qty	Description
1	02988100	1	DECAL, DANGER
2	03271900	2	DECAL, TRANSMISSION DISCONNECT
3	05112700	2	DECAL, ROPS LOCATION
4	07754100	2	DECAL, HOT SURFACE
5	07756000	2	DECAL, DANGER - FAN
6	07757500	1	DECAL, PARKING BRAKE LEVER
7	07757600	1	DECAL, INSTRUCTION - STEERING
8	07800336	1	DECAL, INSTRUCTION - U1 REPLACEMENT BATTERY
9	07800340	2	DECAL, SAFETY - MOWER DECK
10	07800401	1	DECAL, SAFETY - GUARDING
11	07800402	1	DECAL, SAFETY - DECK GUARDING
12	07800537	1	DECAL, SAFETY - IKON ZTX
13	07800902	1	DECAL, ARIENS APEX - HOC
14	07800820	1	DECAL, FUEL WARNING



# DECALS – STYLE – 48"

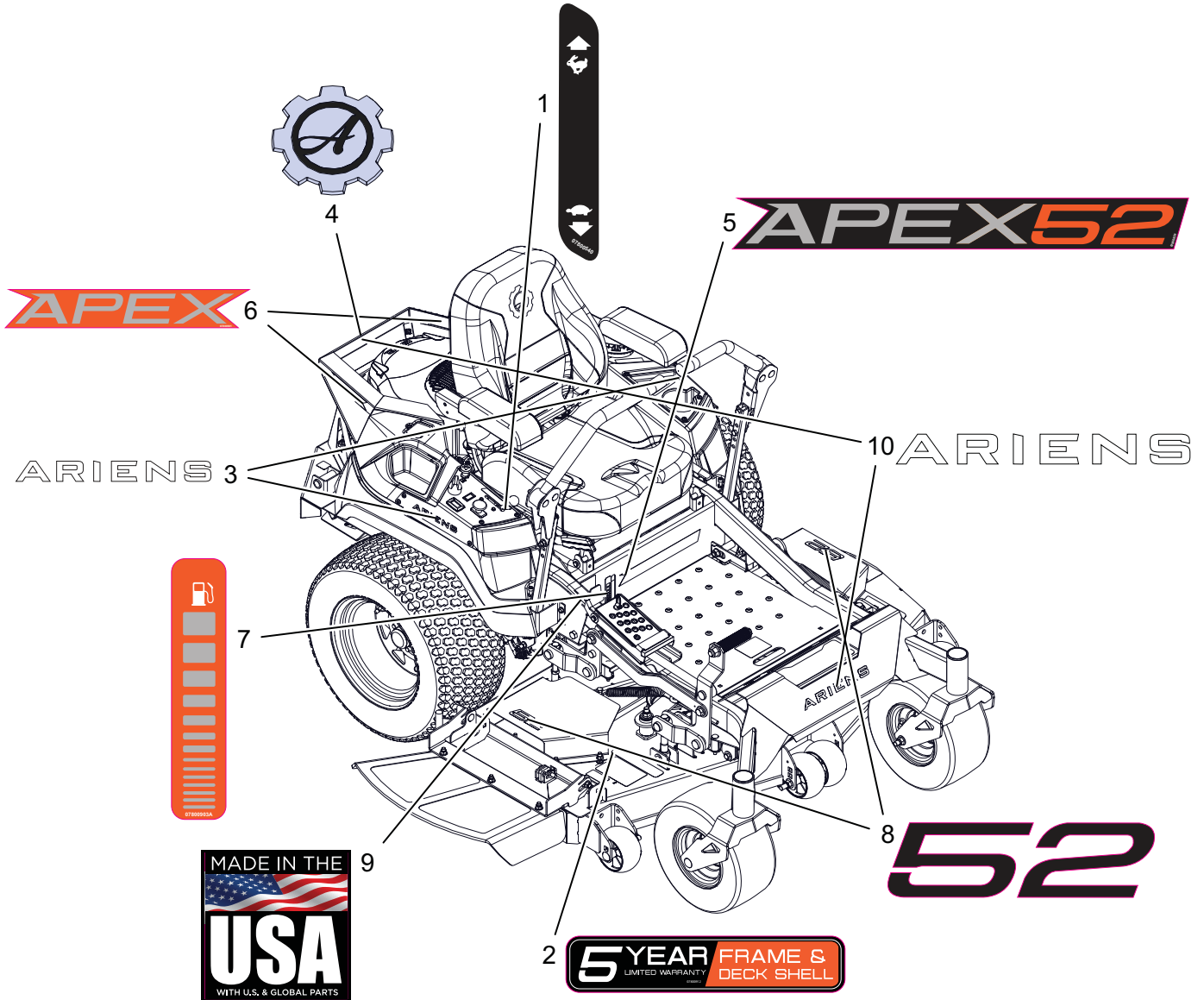
Models 991153, 173



BOM ID	Number	Qty	Description
1	07800540	1	DECAL, DASH
2	07800912	1	DECAL, DECK - 5 YEAR ARIENS
3	07800829	2	DECAL, ARIENS 6.00"
4	07800837	1	DECAL, ARIENS - GEAR BADGE (THK)
5	07800840	1	DECAL, KICKPLATE - ARIENS APEX 48
6	07800901	2	DECAL, APEX FENDER
7	07800903	1	DECAL, FUEL LEVEL - ARIENS APEX
8	07800906	2	DECAL, BLACK - 48
9	08001038	1	DECAL, MADE IN USA
10	08001108	2	DECAL, ARIENS - BADGE

# DECALS – STYLE – 52"

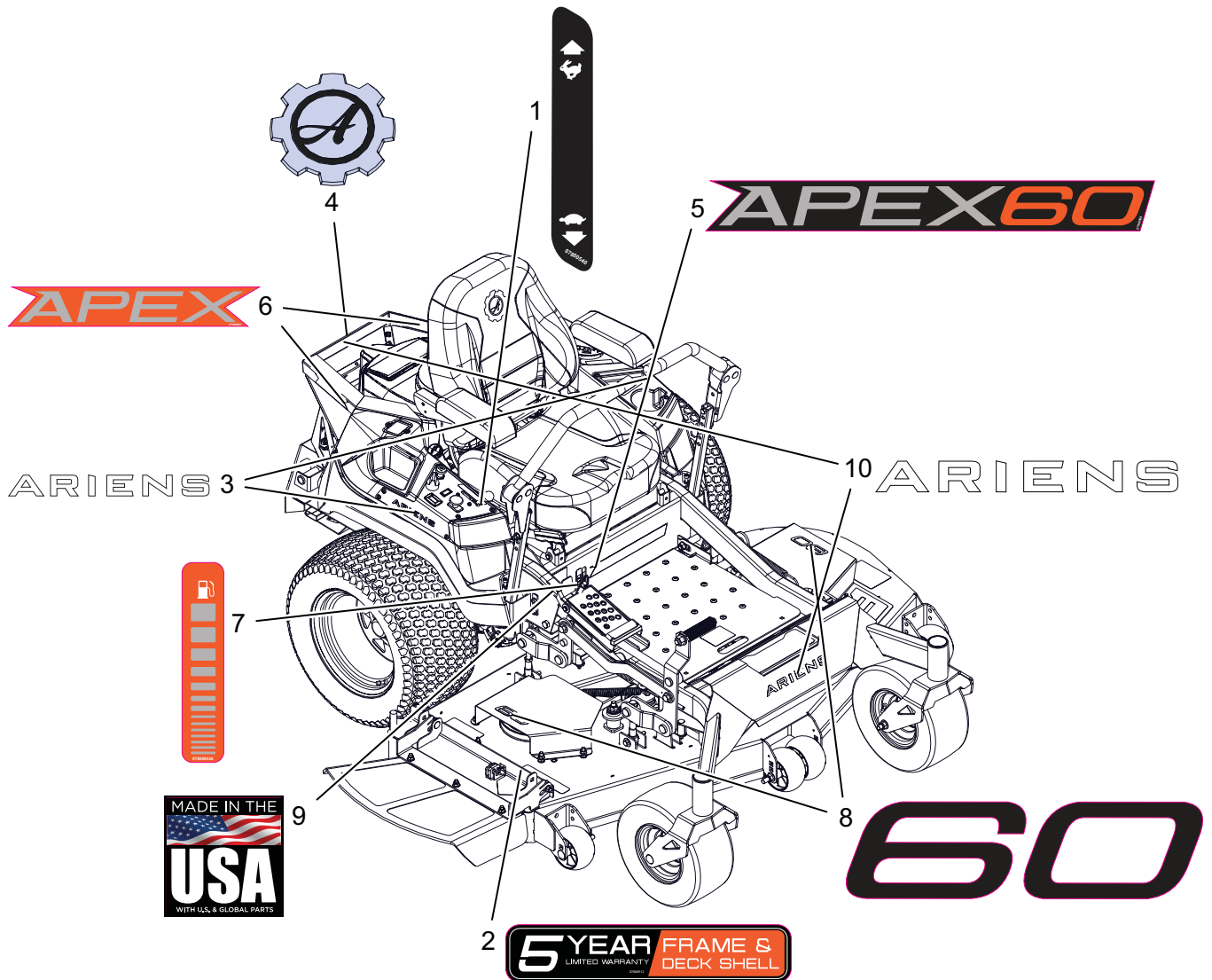
Model 991155, 175



BOM ID	Number	Qty	Description
1	07800540	1	DECAL, DASH
2	07800912	1	DECAL, DECK - 5 YEAR ARIENS
3	07800829	2	DECAL, ARIENS 6.00"
4	07800837	1	DECAL, ARIENS - GEAR BADGE (THK)
5	07800839	1	DECAL, KICKPLATE - ARIENS APEX 52
6	07800901	2	DECAL, APEX FENDER
7	07800903	1	DECAL, FUEL LEVEL - ARIENS APEX
8	07800905	2	DECAL, BLACK - 52
9	08001038	1	DECAL, MADE IN USA
10	08001108	2	DECAL, ARIENS - BADGE

# DECALS – STYLE – 60"

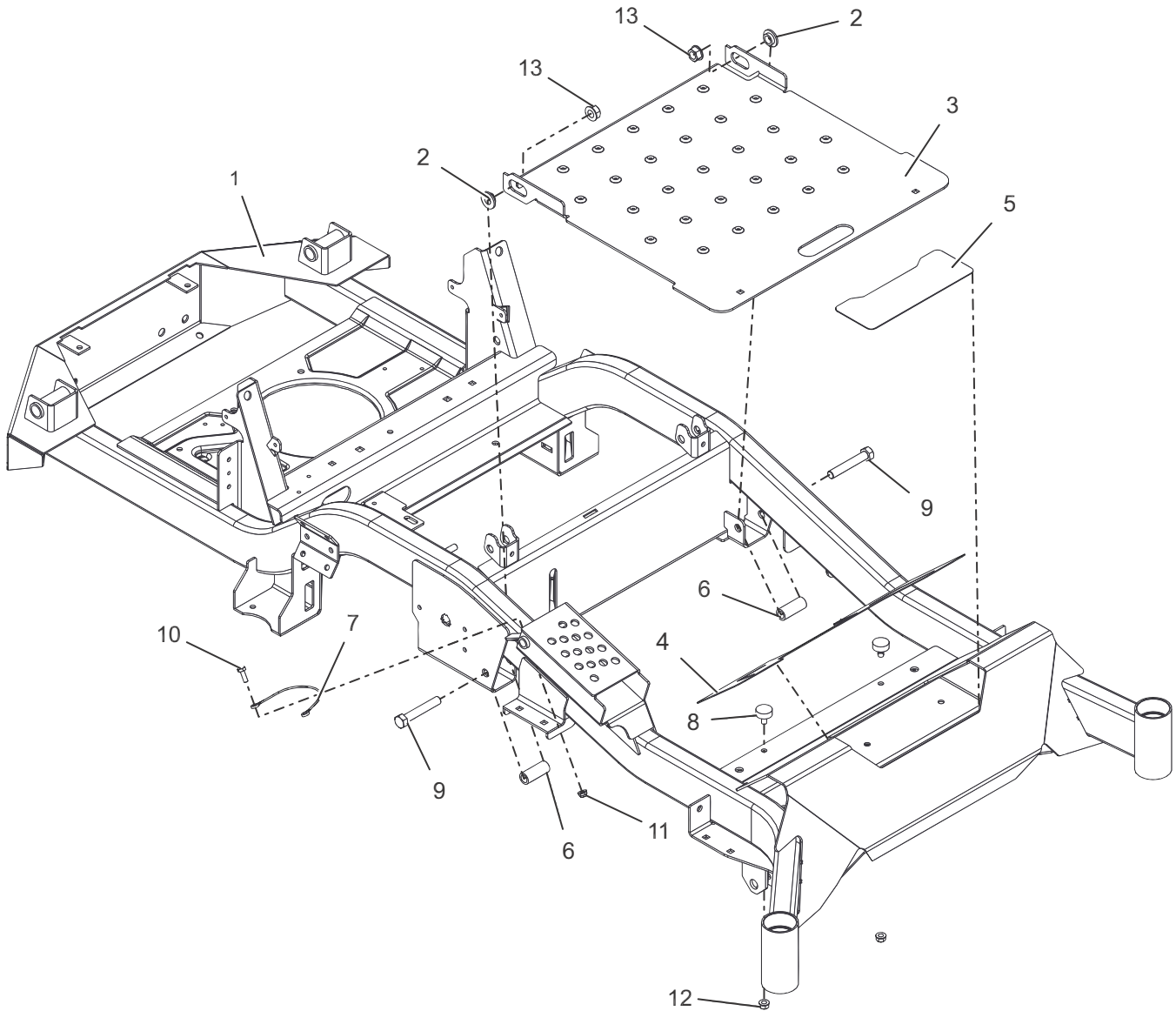
Models 991151, 157, 177



BOM ID	Number	Qty	Description
1	07800540	1	DECAL, DASH
2	07800912	1	DECAL, DECK - 5 YEAR ARIENS
3	07800829	2	DECAL, ARIENS 6.00"
4	07800837	1	DECAL, ARIENS - GEAR BADGE (THK)
5	07800838	1	DECAL, KICKPLATE - ARIENS APEX 60
6	07800901	2	DECAL, APEX FENDER
7	07800903	1	DECAL, FUEL LEVEL - ARIENS APEX
8	07800904	2	DECAL, BLACK - 60
9	08001038	1	DECAL, MADE IN USA
10	08001108	2	DECAL, ARIENS - BADGE

# FRAME – 48" AND 52"

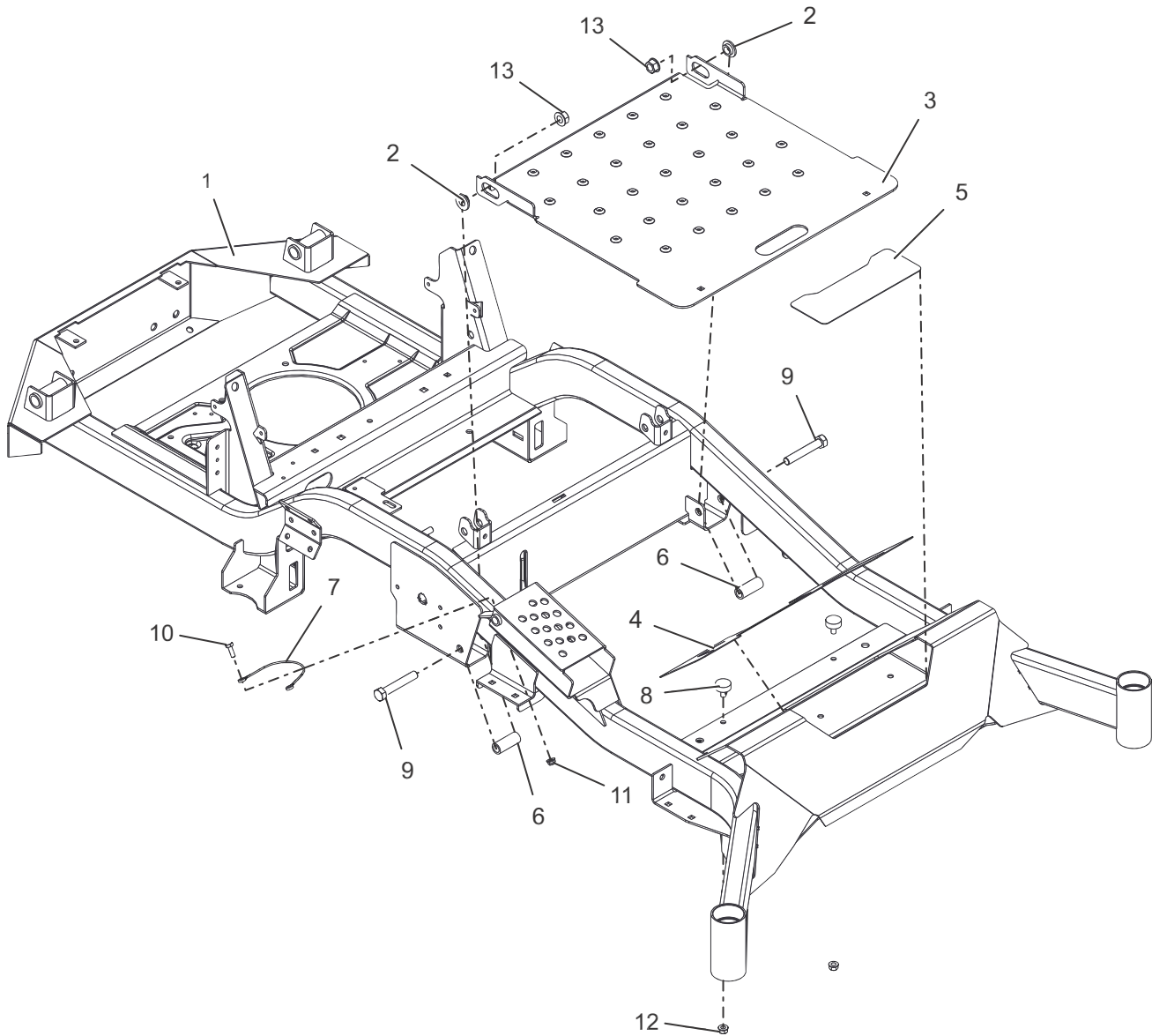
Models 991153, 155, 173, 175



BOM ID	Number	Qty	Description
1	59111200	1	WLDMT, MAIN
2	03989100	2	BSHG, FLANGE .515X.750X.31X1.12
3	59113600	1	PANEL, ACCESS
4	05104800	1	GRIP, FRONT
5	05109100	1	GRIP, STEP
6	05501319	2	SPCR, .515X.75X1.83
7	06900317	1	LANYARD, 12"
8	07533600	2	BUMPER, RUBBER
9	05901737	2	BLT, HEX 0.5-13X3 GR5 ZCC
10	05901716	1	BLT, HEX 0.25-20X0.75 GR5 ZC120
11	06500813	1	NUT, LK-NYL-FLG .25-20 GR5 ZC120
12	06500815	2	NUT, FLG-SPNLK .312-18 GR5 ZC120
13	06500835	2	NUT, FLG-TOP LK .625-11 GR5 ZB500

# FRAME – 60"

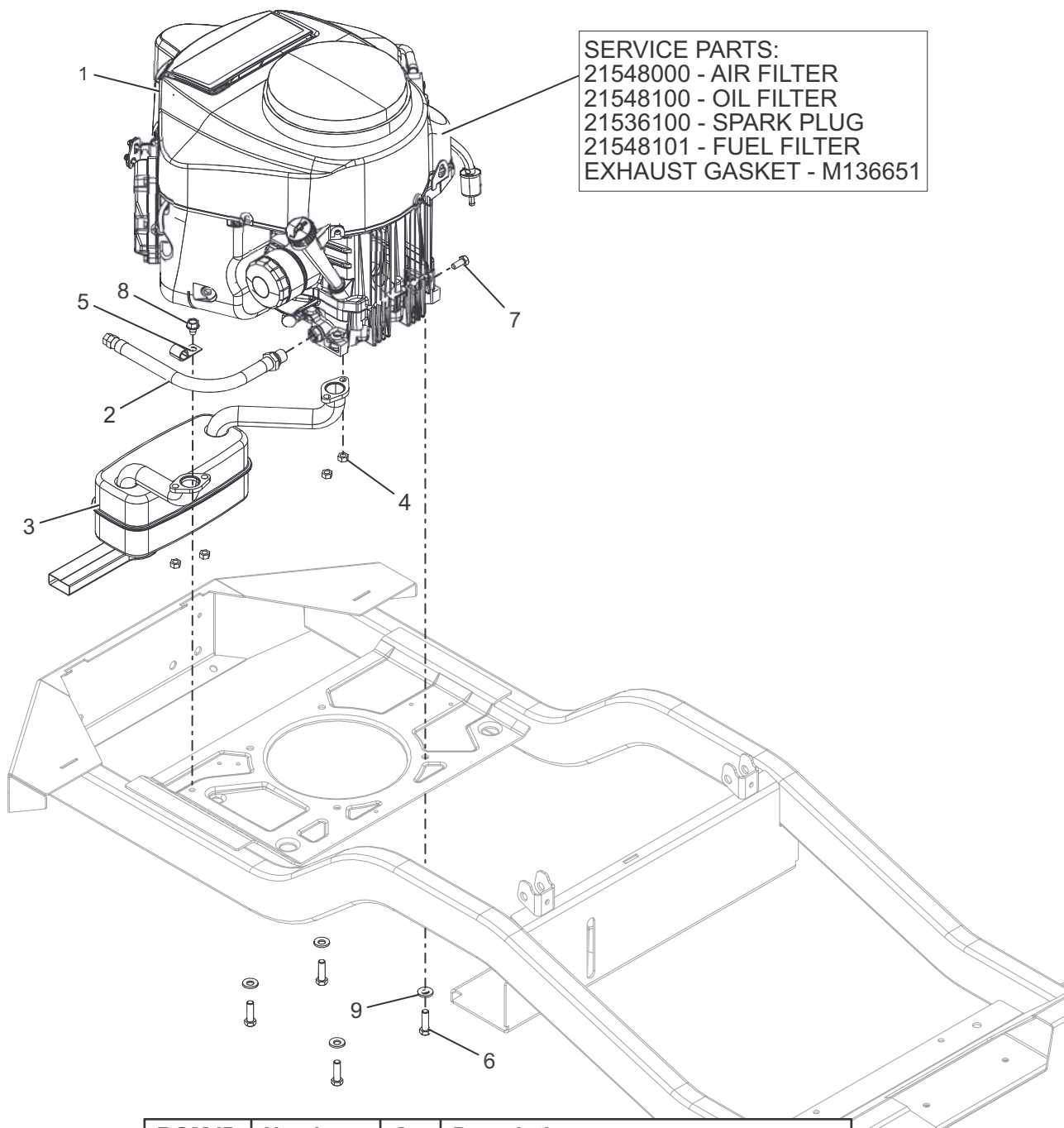
Models 991151, 157, 177



BOM ID	Number	Qty	Description
1	59111300	1	WLDMT, MAIN
2	03989100	2	BSHG, FLANGE .515X.750X.31X1.12
3	59113600	1	PANEL, ACCESS
4	05104800	1	GRIP, FRONT
5	05109100	1	GRIP, STEP
6	05501319	2	SPCR, .515X.75X1.83
7	06900317	1	LANYARD, 12"
8	07533600	2	BUMPER, RUBBER
9	05901737	2	BLT, HEX 0.5-13X3 GR5 ZCC
10	05901716	1	BLT, HEX 0.25-20X0.75 GR5 ZC120
11	06500813	1	NUT, LK-NYL-FLG .25-20 GR5 ZC120
12	06500815	2	NUT, FLG-SPNLK .312-18 GR5 ZC120
13	06500835	2	NUT, FLG-TOP LK .625-11 GR5 ZB500

# ENGINE – KAWASAKI FR730

Model 991151, 177



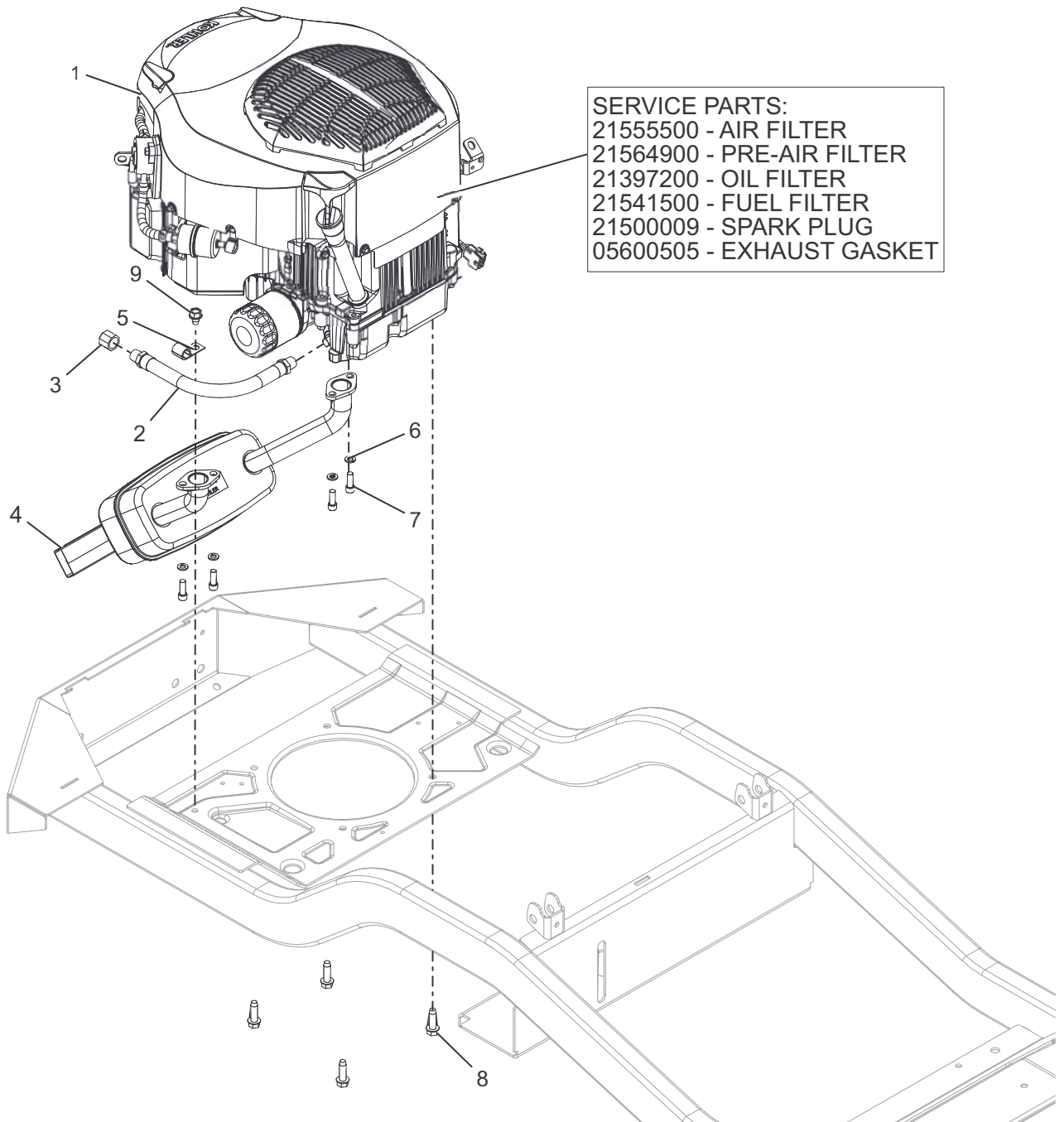
SERVICE PARTS:  
 21548000 - AIR FILTER  
 21548100 - OIL FILTER  
 21536100 - SPARK PLUG  
 21548101 - FUEL FILTER  
 EXHAUST GASKET - M136651

BOM ID	Number	Qty	Description
1	08200718	1	ENGINE, KAWASAKI
2	07001730	1	HOSE, OIL DRAIN
3	04754300	1	MUFFLER, KAWASAKI
4	06500018	4	NUT-LK-TOP M8-1.25 YWZC
5	06916000	1	J-CLAMP
6	05901522	4	BOLT, HEX 0.375-16X1.25 GR5
7	05901628	1	BLT,HEX M8-1.25X20 G8.8 ZC120
8	07412900	1	SCR-TAP .38-16X.50 HWH TR YWZ
9	06400927	4	WSHR, 3/8" SPRING DISC



# ENGINE – KOHLER KT730

Model 991153, 155, 173, 175

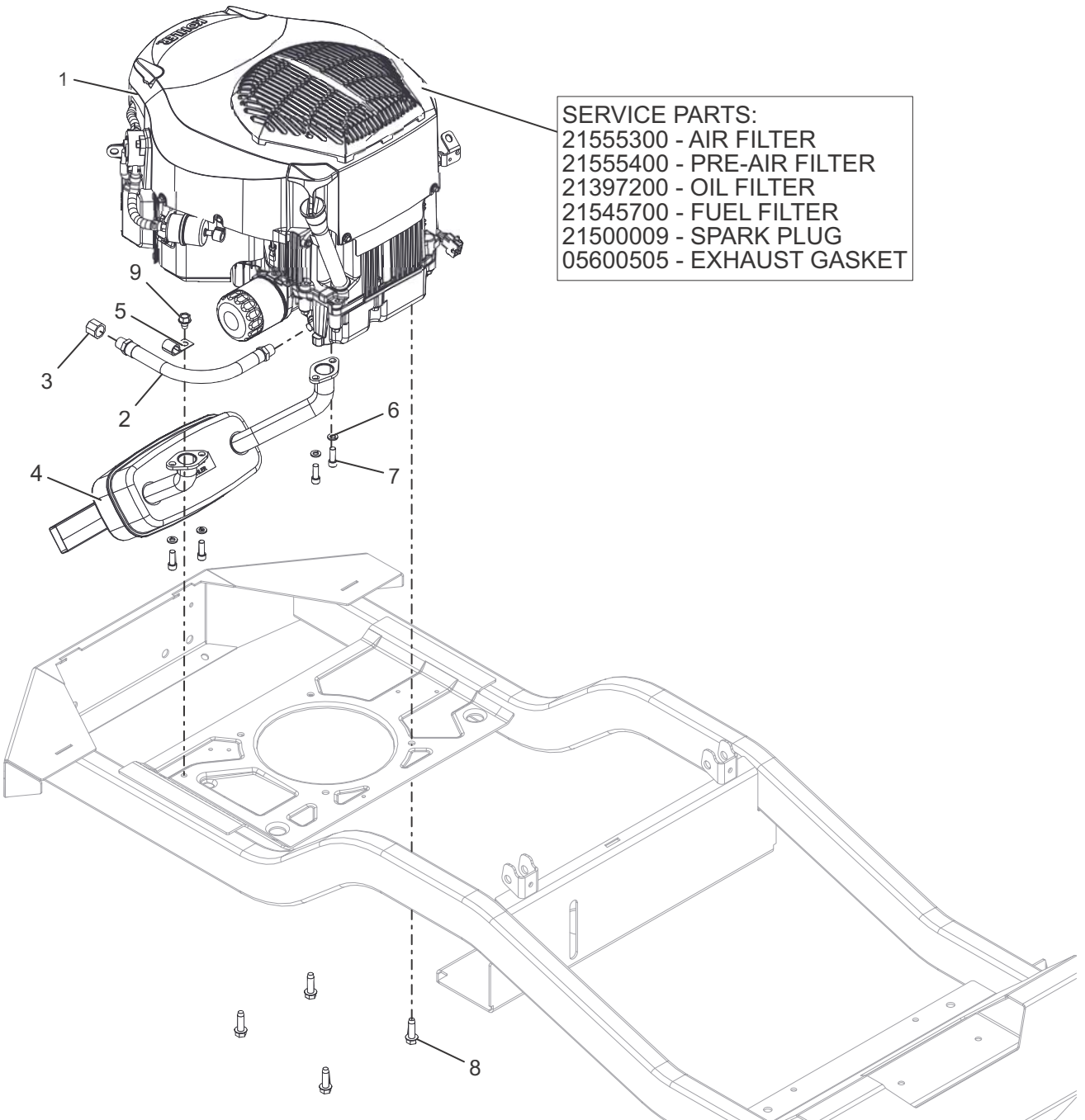


SERVICE PARTS:  
 21555500 - AIR FILTER  
 21564900 - PRE-AIR FILTER  
 21397200 - OIL FILTER  
 21541500 - FUEL FILTER  
 21500009 - SPARK PLUG  
 05600505 - EXHAUST GASKET

BOM ID	Number	Qty	Description
1	08201307	1	ENGINE, KOHLER - KT730
2	03873100	1	HOSE, HYD .38-11-0K M6N0-M6NO
3	03873200	1	PIPE, CAP 3/8 NPT FEMALE
4	04825200	1	MUFFLER, KOHLER
5	06916000	1	J-CLAMP
6	06308600	4	WSHR-LK .31X.078 REG YWZC
7	05901839	4	SCR, SKH .312-18X.875 GR8 ZCC
8	07414700	4	SCR-TAP .38-16X1.25 HWH TR YZ
9	07412900	1	SCR-TAP .38-16X.50 HWH TR YWZ

# ENGINE – KOHLER KT740

Models 991157



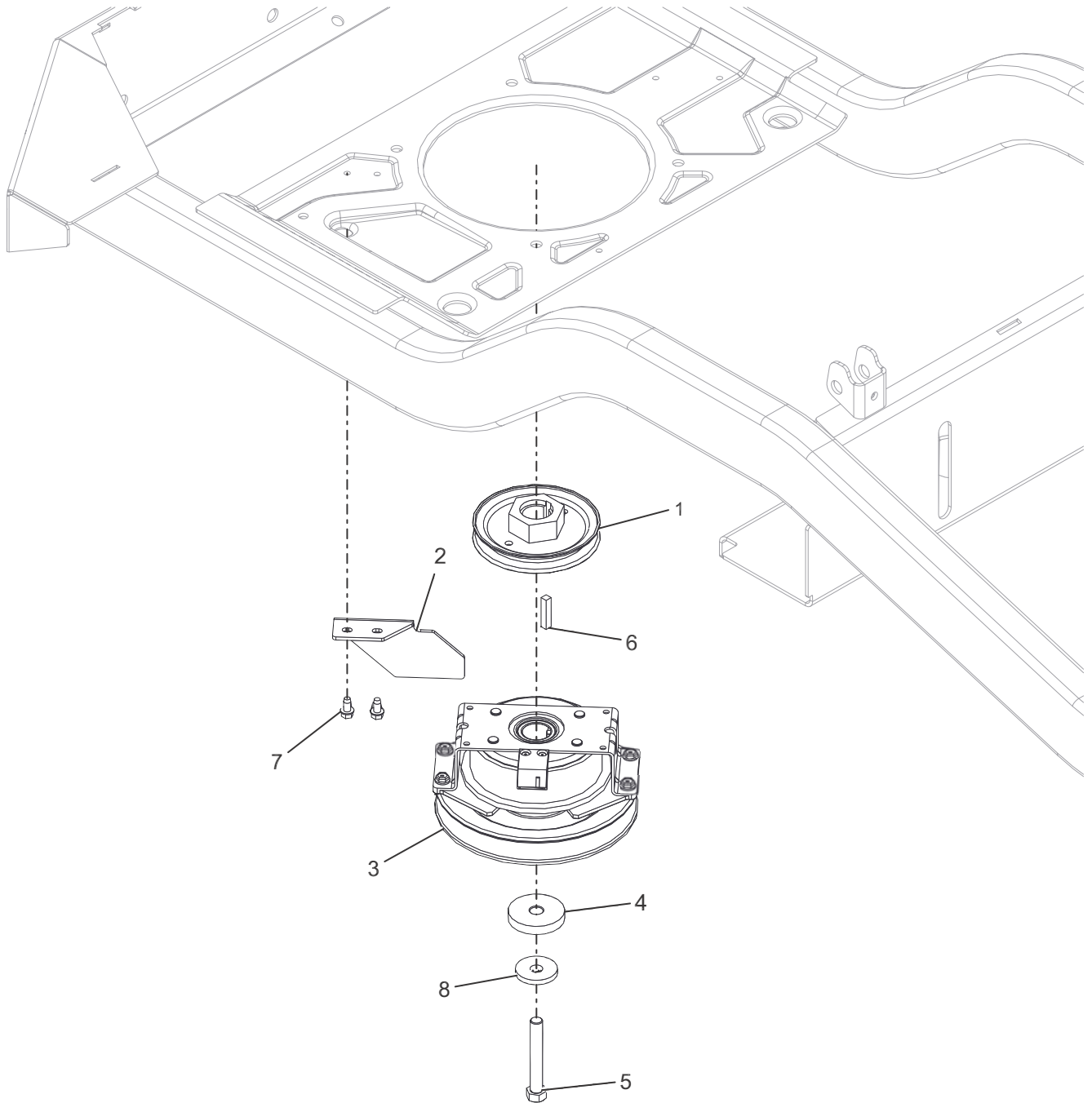
SERVICE PARTS:  
 21555300 - AIR FILTER  
 21555400 - PRE-AIR FILTER  
 21397200 - OIL FILTER  
 21545700 - FUEL FILTER  
 21500009 - SPARK PLUG  
 05600505 - EXHAUST GASKET

BOM ID	Number	Qty	Description
1	08201308	1	ENGINE, KOHLER - KT740
2	03873100	1	HOSE, HYD .38-11-0K M6N0-M6NO
3	03873200	1	PIPE, CAP 3/8 NPT FEMALE
4	04825200	1	MUFFLER, KOHLER
5	06916000	1	J-CLAMP
6	06308600	4	WSHR-LK .31X.078 REG YWZC
7	05901839	4	SCR, SKH .312-18X.875 GR8 ZCC
8	07414700	4	SCR-TAP .38-16X1.25 HWH TR YZ
9	07412900	1	SCR-TAP .38-16X.50 HWH TR YWZ



# CLUTCH

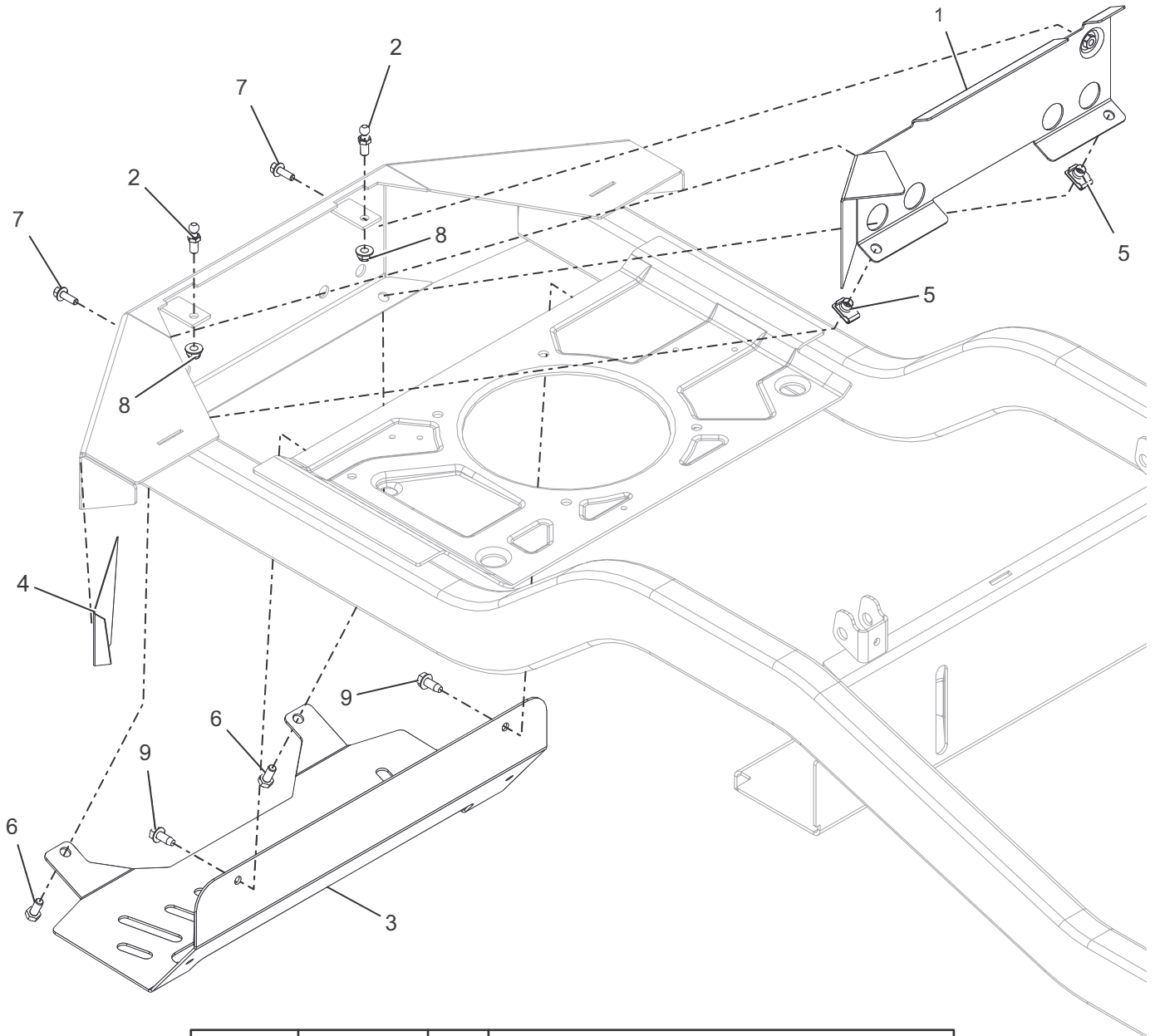
Models All



BOM ID	Number	Qty	Description
1	07346000	1	PULLEY, 4.50 OD X1.002 ENGINE
2	05016151	1	BRKT, CLUTCH STOP (HD)
3	05118900	1	CLUTCH, OGURA, DBL SPRG
4	05501240	1	SPCR, .474/.459 X 2.00 X .350
5	05901819	1	BLT, HEX 0.4375-20X3 G8 ZCC NT
6	06603400	1	KEY-SQ .250X.250X1.250
7	07400122	2	SCR-TAP .25-20X.75 HWH ZCC
8	06400936	1	WSHR, 7/16" SPRING DISC

# HEAT SHIELD

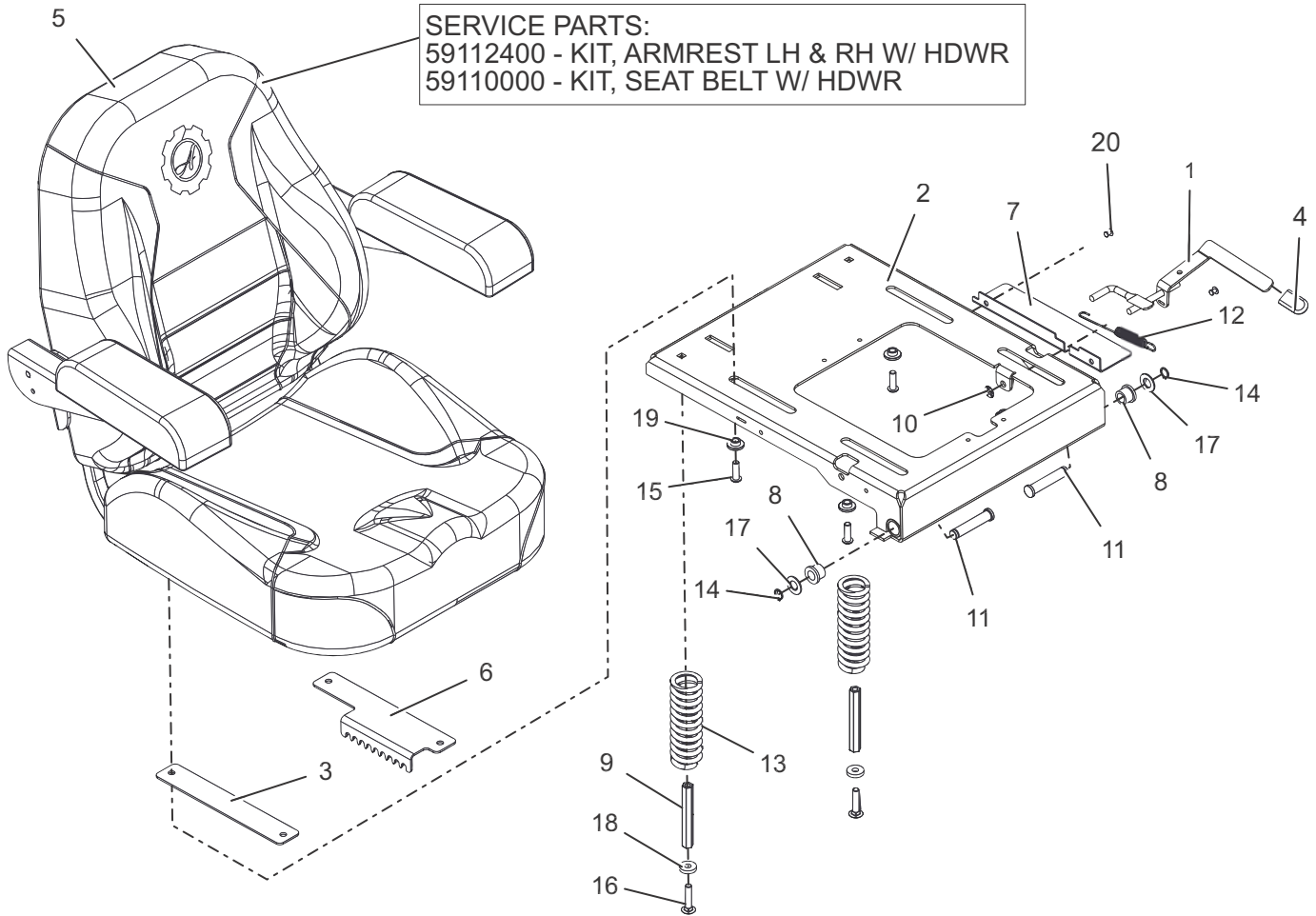
Models All



BOM ID	Number	Qty	Description
1	05116751	1	WLDMT, HEAT BAFFLE
2	03652200	2	STUD-BALL
3	05082851	1	SHIELD, HEAT
4	05116800	1	TAPE, HEAT
5	07000829	2	NUT-CLIP RETAINER 5/16-18X.56
6	05901704	2	BLT, HEX 0.3125-18X0.75 GR5 ZC120
7	05901731	2	BLT, HEX-FLG 0.25-20X0.75 GR5 ZB500
8	06500809	2	NUT, LK-NYL-FLG .31-18 GR5 ZC120
9	07400127	2	SCR-TAP .312-18X.75 HWH ZCC

# SEAT

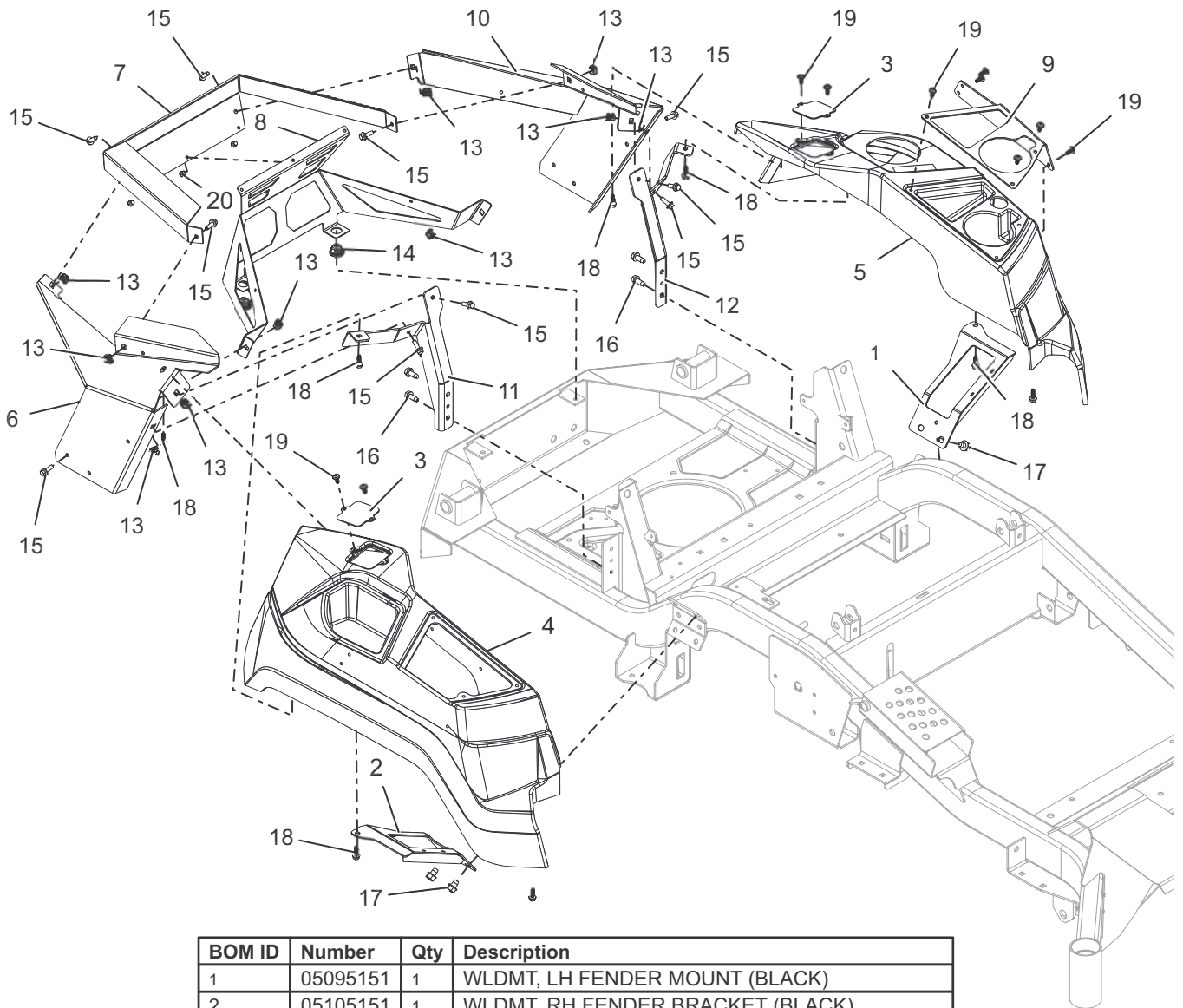
Models All



BOM ID	Number	Qty	Description
1	05015251	1	WLDMT, ADJUSTABLE SEAT LATCH
2	04995659	1	WLDMT, SEAT PLATE (ORANGE)
3	04377051	1	PLATE, ADJUSTABLE SEAT SLIDE
4	04396600	1	GRIP, SEAT LEVER
5	05124700	1	SEAT, APEX
6	05015151	1	PLATE, HD SEAT ADJUSTMENT (BLACK)
7	05108459	1	GUARD, SEAT
8	05500901	2	BSHG, SHLDR EP .358-16X.30 HEX YZ
9	06500828	2	NUT, COUPLING 5/16-18 X 3.75
10	06514900	1	NUT, PUSH .312
11	06800135	2	PIN, PIVOT -SEAT .50X2.31
12	08300022	1	SPRG, EXTENSION
13	08300704	2	SPRING, COMPRESSION
14	05717100	2	RG-RTNG-EXT .500x.050
15	05901840	4	SCR,BTNHD .31-18X1.00 ZCC
16	06200233	2	BTL,RHSN .313-18 X 1.5 G5 ZCC
17	06401115	2	WSHR-FL-STL 0.531X1X0.063 ZCC
18	06401103	2	WSHR-FL-STL 0.328X0.87X0.179 ZCC
19	05514800	4	BSHG, FLG .32X.500.344X.880
20	06800120	2	RVT, POP .187x.250 AL/AL

# ENGINE GUARD AND FENDERS

Models All

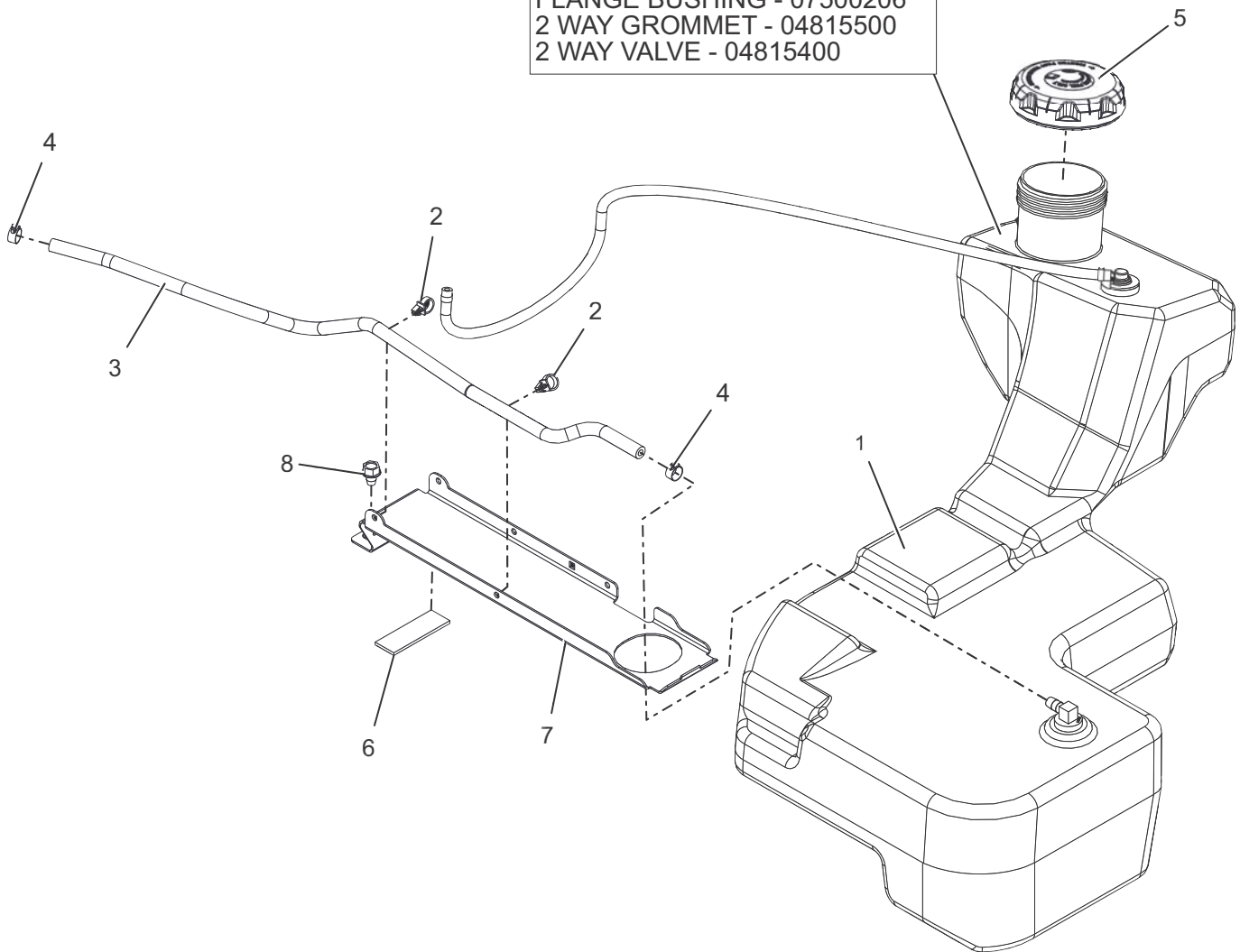


BOM ID	Number	Qty	Description
1	05095151	1	WLDMT, LH FENDER MOUNT (BLACK)
2	05105151	1	WLDMT, RH FENDER BRACKET (BLACK)
3	05078051	2	PLATE, ROPS HOLE- HD (BLACK)
4	05100400	1	FENDER, RH APEX
5	59113800	1	FENDER, LH APEX
6	05103359	1	PANEL, RIGHT REAR FENDER MOUNT (ORANGE)
7	05103559	1	GUARD, ENGINE WRAP (ORANGE)
8	05103651	1	GUARD, ENGINE
9	05108859	1	PLATE, CUP
10	05119359	1	BRKT, LH REAR FENDER MOUNT (ORANGE)
11	05122359	1	BRKT, RH FENDER MTG (ORANGE)
12	05122459	1	BRKT, LH FENDER MTG (ORANGE)
13	07009300	10	NUT, RETAINER .25-20
14	07500407	2	GROMMET, 10mm BOLLHOFF
15	05901731	10	BLT, HEX-FLG 0.25-20X0.75 GR5 ZB500
16	07400127	4	SCR-TAP .312-18X.75 HWH ZCC
17	07400126	4	SCR-TAP .38-16X.500 HWH ZCC
18	06100231	8	SCR, PLASTITE-HWH 0.25 X 0.75 ZC120
19	07400123	10	SCR-TAP .25-15X.50 PLASTITE BLZC
20	06800120	3	RVT, POP .187x.250 AL/AL

# FUEL SYSTEM – KAWASAKI NON-CARB

Models 991151

SERVICE PARTS:  
 FALSE FILL NECK - 05067300  
 FUEL PICK UP ASSY - 05106000  
 FLANGE BUSHING - 07500206  
 2 WAY GROMMET - 04815500  
 2 WAY VALVE - 04815400

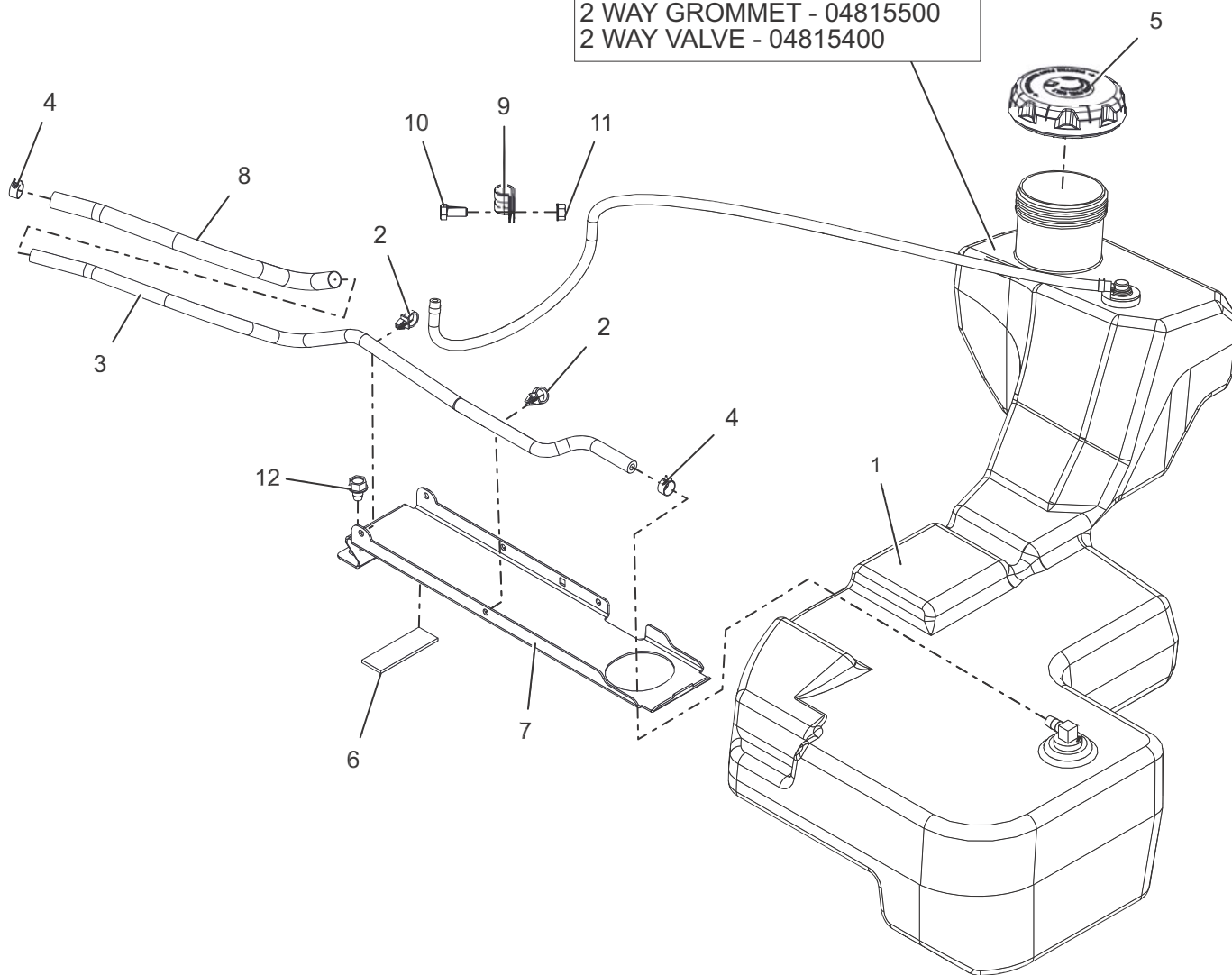


BOM ID	Number	Qty	Description
1	05018100	1	ASM, HD FUEL TANK
2	00367900	2	CLIP, ROUTING (.50 ID)
3	03278100	1	HOSE, .25 LOW PERM FUEL-27" LG.
4	03278800	2	CLAMP, FUEL LINE
5	04558000	1	CAP, FUEL VENT-IN AUTOLOCK
6	04850000	1	PAD, RBR 1.0"X3.0" W/ADHESIVE
7	05024151	1	BRKT, FUEL
8	07400126	1	SCR-TAP .38-16X.500 HWH ZCC

# FUEL SYSTEM – KOHLER Non-CARB

Models 991153, 155, 157

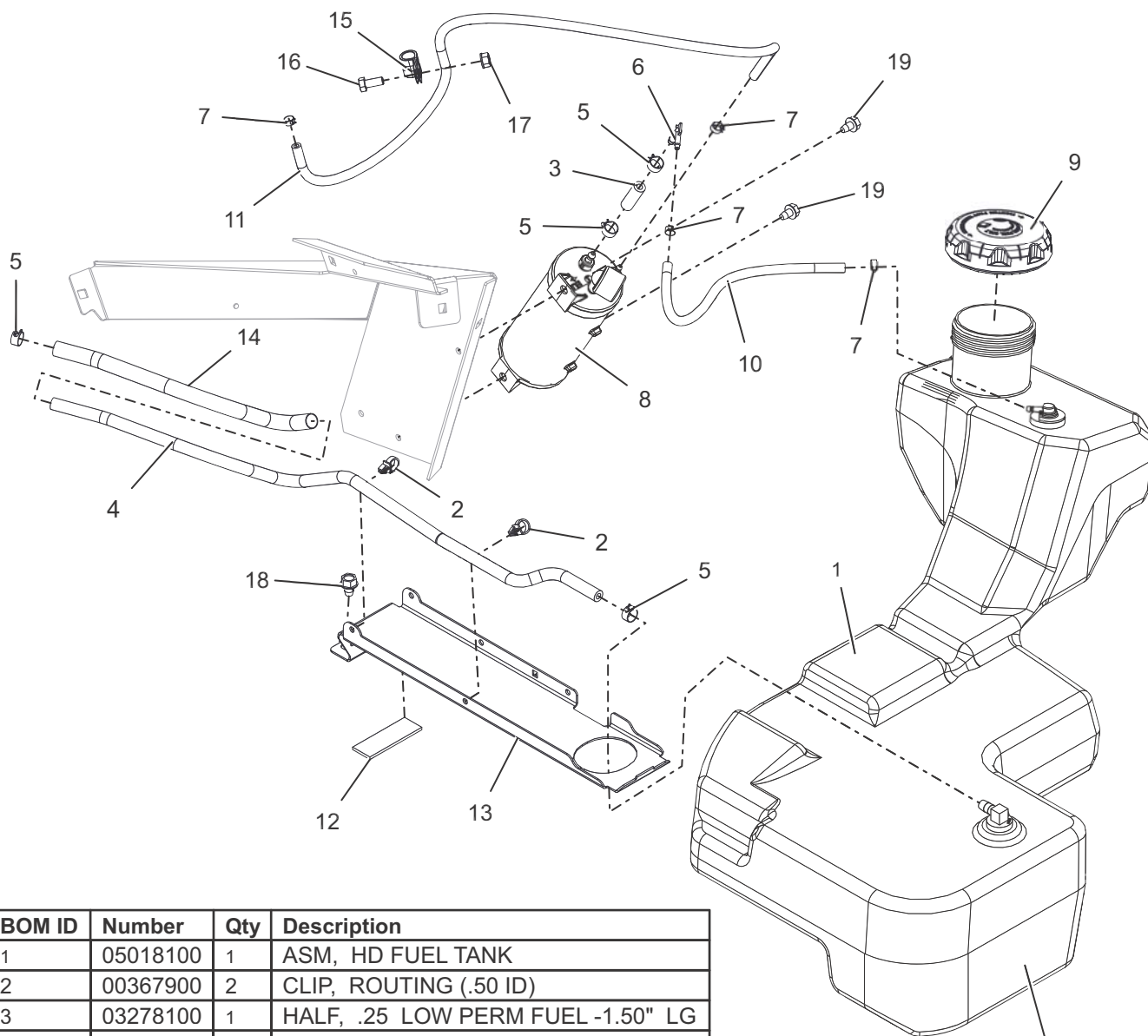
SERVICE PARTS:  
 FALSE FILL NECK - 05067300  
 FUEL PICK UP ASSY - 05106000  
 FLANGE BUSHING - 07500206  
 2 WAY GROMMET - 04815500  
 2 WAY VALVE - 04815400



BOM ID	Number	Qty	Description
1	05018100	1	ASM, HD FUEL TANK
2	00367900	2	CLIP, ROUTING (.50 ID)
3	03278100	1	HOSE, .25 LOW PERM FUEL-27" LG.
4	03278800	2	CLAMP, FUEL LINE
5	04558000	1	CAP, FUEL VENT-IN AUTOLOCK
6	04850000	1	PAD, RBR 1.0"X3.0" W/ADHESIVE
7	05024151	1	BRKT, FUEL
8	05133700	1	SLEEVE, THERMAL 12"
9	06908200	1	CLAMP, CUSHIONED STEEL
10	05901704	1	BLT, HEX 0.3125-18X0.75 GR5 ZC120
11	06500840	1	NUT, FLG-CTR LK .312-18 GR5 ZCC
12	07400126	1	SCR-TAP .38-16X.500 HWH ZCC

# FUEL SYSTEM – KOHLER CARB

Models 991173, 175



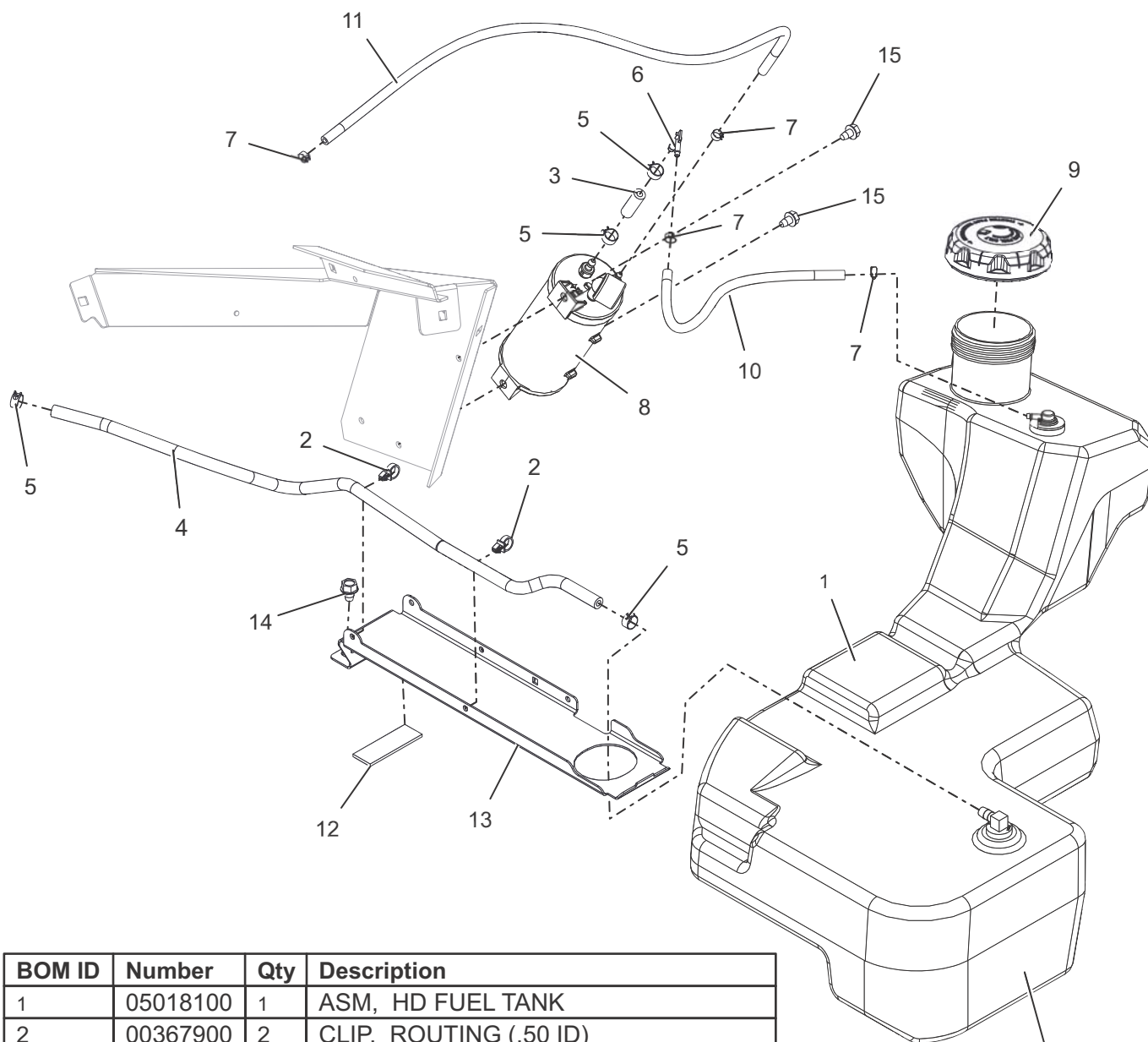
SERVICE PARTS:  
 FALSE FILL NECK - 05067300  
 FUEL PICK UP ASSY - 05106000  
 FLANGE BUSHING - 07500206  
 2 WAY GROMMET - 04815500  
 2 WAY VALVE - 04815400

BOM ID	Number	Qty	Description
1	05018100	1	ASM, HD FUEL TANK
2	00367900	2	CLIP, ROUTING (.50 ID)
3	03278100	1	HALF, .25 LOW PERM FUEL -1.50" LG
4	03278100	1	HOSE, .25 LOW PERM FUEL-27" LG.
5	03278800	4	CLAMP, FUEL LINE
6	04097000	1	FITTING, 3/16 X 1/4 X 90 DEGREE VAC
7	04097700	4	CLAMP - HOSE, SPRING .188
8	04548100	1	CANISTER, CARBON 6.3 G CAP.
9	04558000	1	CAP, FUEL VENT-IN AUTOLOCK
10	04745900	1	HOSE, SAE 30R7 .188-14.50" LG
11	04745900	1	HOSE, SAE 30R7 .188 - 30"LG
12	04850000	1	PAD, RBR 1.0"X3.0" W/ADHESIVE
13	05024151	1	BRKT, FUEL
14	05133700	1	SLEEVE, THERMAL 12"
15	06908200	1	CLAMP, CUSHIONED STEEL
16	05901704	1	BLT, HEX 0.3125-18X0.75 GR5 ZC120
17	06500840	1	NUT, FLG-CTR LK .312-18 GR5 ZCC
18	07400126	1	SCR-TAP .38-16X.500 HWH ZCC
19	07400124	2	SCR-TAP .312-18X.50 HWH ZCC



# FUEL SYSTEM – KAWASAKI CARB

Models 991177



SERVICE PARTS:  
 FALSE FILL NECK - 05067300  
 FUEL PICK UP ASSY - 05106000  
 FLANGE BUSHING - 07500206  
 2 WAY GROMMET - 04815500  
 2 WAY VALVE - 04815400

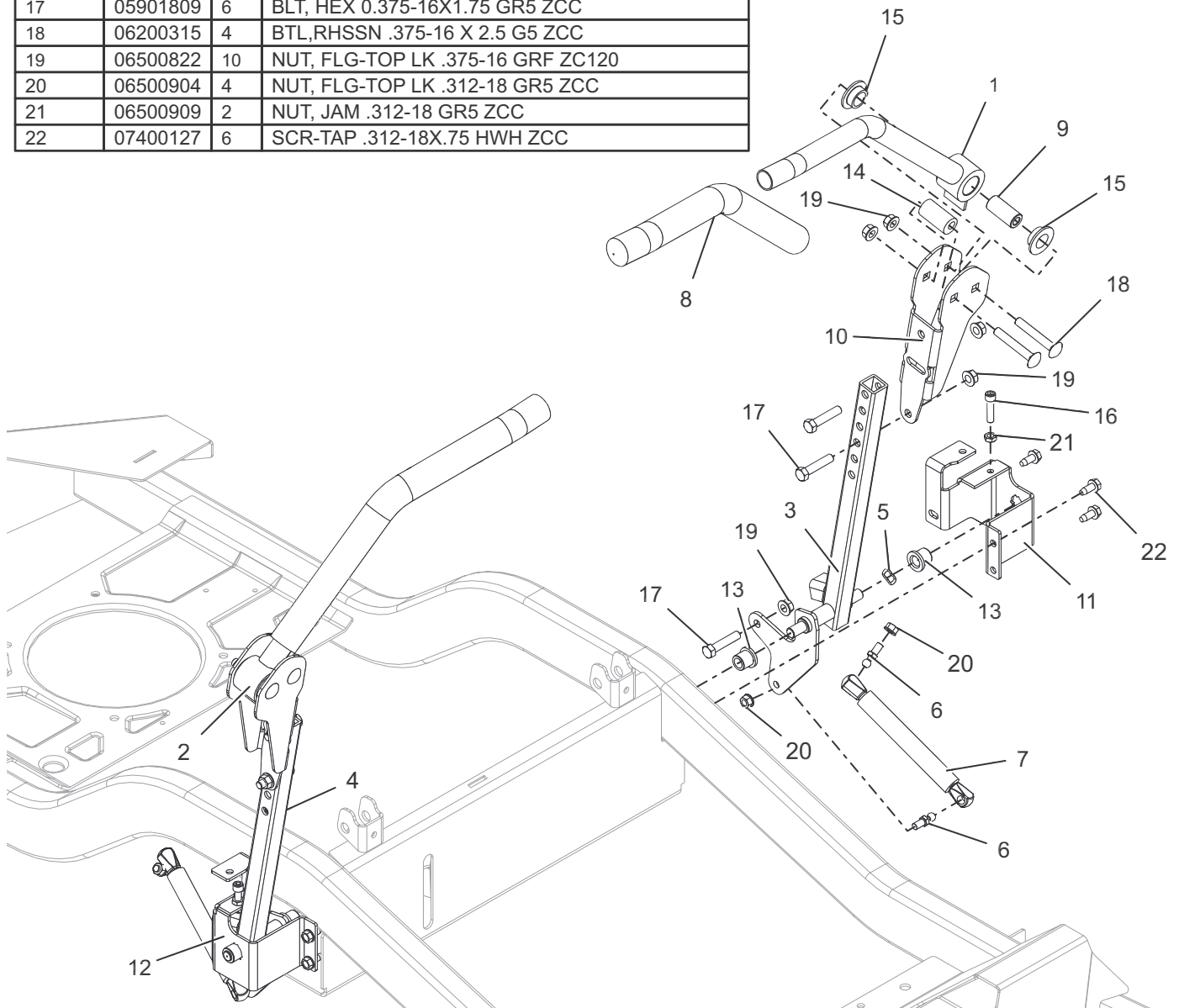
BOM ID	Number	Qty	Description
1	05018100	1	ASM, HD FUEL TANK
2	00367900	2	CLIP, ROUTING (.50 ID)
3	03278100	1	HALF, .25 LOW PERM FUEL -1.50" LG
4	03278100	1	HOSE, .25 LOW PERM FUEL-27" LG.
5	03278800	4	CLAMP, FUEL LINE
6	04097000	1	FITTING, 3/16 X 1/4 X 90 DEGREE VAC
7	04097700	4	CLAMP - HOSE, SPRING .188
8	04548100	1	CANISTER, CARBON 6.3 G CAP.
9	04558000	1	CAP, FUEL VENT-IN AUTOLOCK
10	04745900	1	HOSE, SAE 30R7 .188-14.50" LG
11	04745900	1	HOSE, SAE 30R7 .188- 30"LG
12	04850000	1	PAD, RBR 1.0"X3.0" W/ADHESIVE
13	05024151	1	BRKT, FUEL
14	07400126	1	SCR-TAP .38-16X.500 HWH ZCC
15	07400124	2	SCR-TAP .312-18X.50 HWH ZCC



# CONTROLS

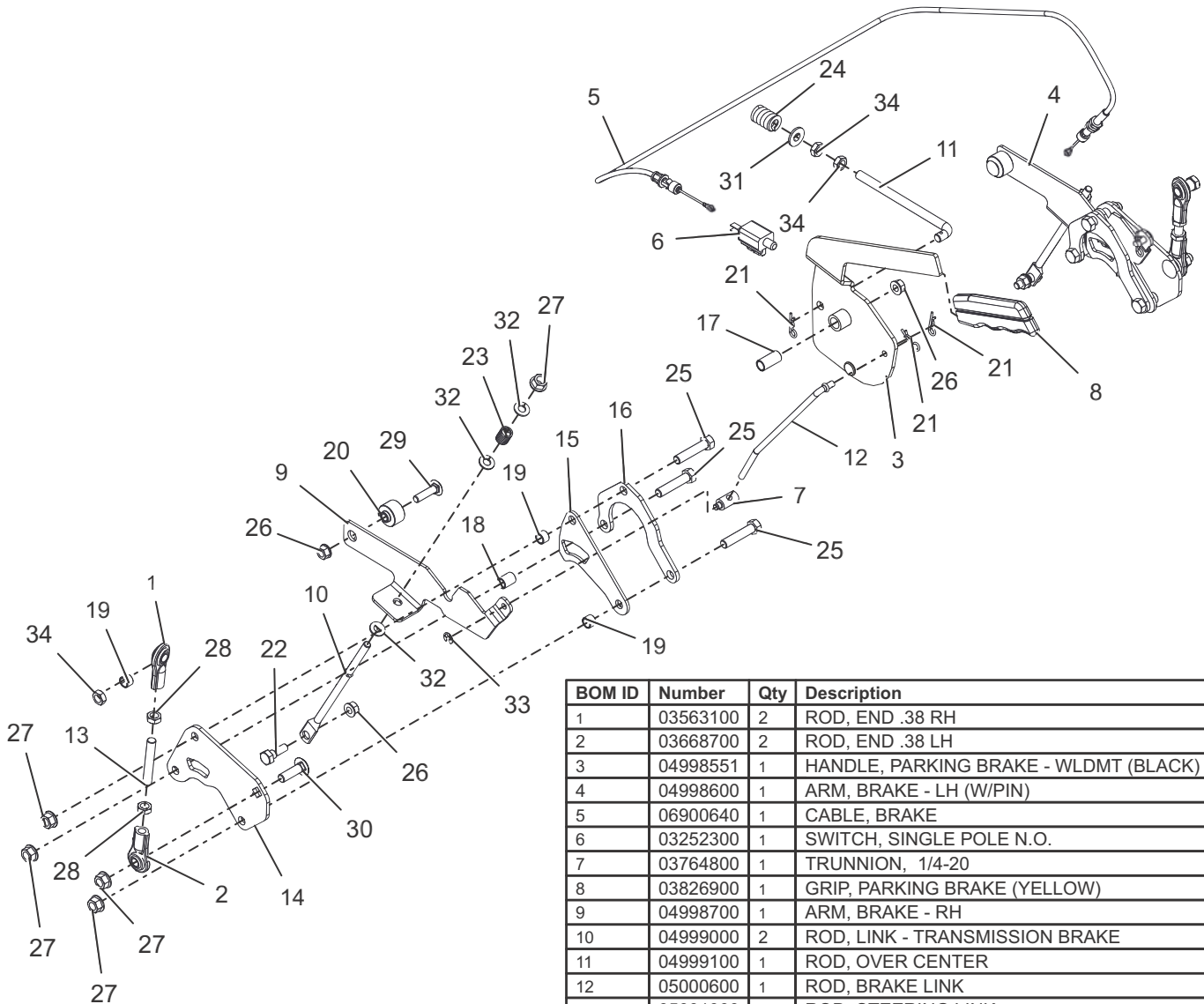
## Models All

BOM ID	Number	Qty	Description
1	05068551	1	WLDMT, CONTROL HANDLE (BLACK)
2	05068651	1	WLDMT, CONTROL HANDLE (BLACK)
3	05011951	1	WLDMT, STEERING -LH (BLACK)
4	05011851	1	WLDMT, STEERING RH (BLACK)
5	00325400	2	WAVE WASHER .531X.781X.125 FH
6	03652200	4	STUD-BALL
7	03769800	2	DAMPER, STEERING
8	04383600	2	GRIP, HANDLEBAR
9	04413600	2	SPCR, STEERING ARM
10	05068751	2	BRKT, ADJ UPPER CONTROL ARM
11	05120459	1	BRKT, STEERING ARM MOUNTING -LH (ORANGE)
12	05120559	1	BRKT, STEERING ARM MOUNTING-RH (ORANGE)
13	05501001	4	BSHG, FLANGE .500X.750X.750X.125
14	05501223	2	BSHG, ECCENTRIC .328 X .750 X 1.625
15	05525200	4	BSHG, FLANGE .762 X 1.48 X .44 NYLON
16	05901320	2	SHCS .312-18 X 1.25 GR8 YWZC
17	05901809	6	BLT, HEX 0.375-16X1.75 GR5 ZCC
18	06200315	4	BTL,RHSSN .375-16 X 2.5 G5 ZCC
19	06500822	10	NUT, FLG-TOP LK .375-16 GRF ZC120
20	06500904	4	NUT, FLG-TOP LK .312-18 GR5 ZCC
21	06500909	2	NUT, JAM .312-18 GR5 ZCC
22	07400127	6	SCR-TAP .312-18X.75 HWH ZCC



# PARKING BRAKE

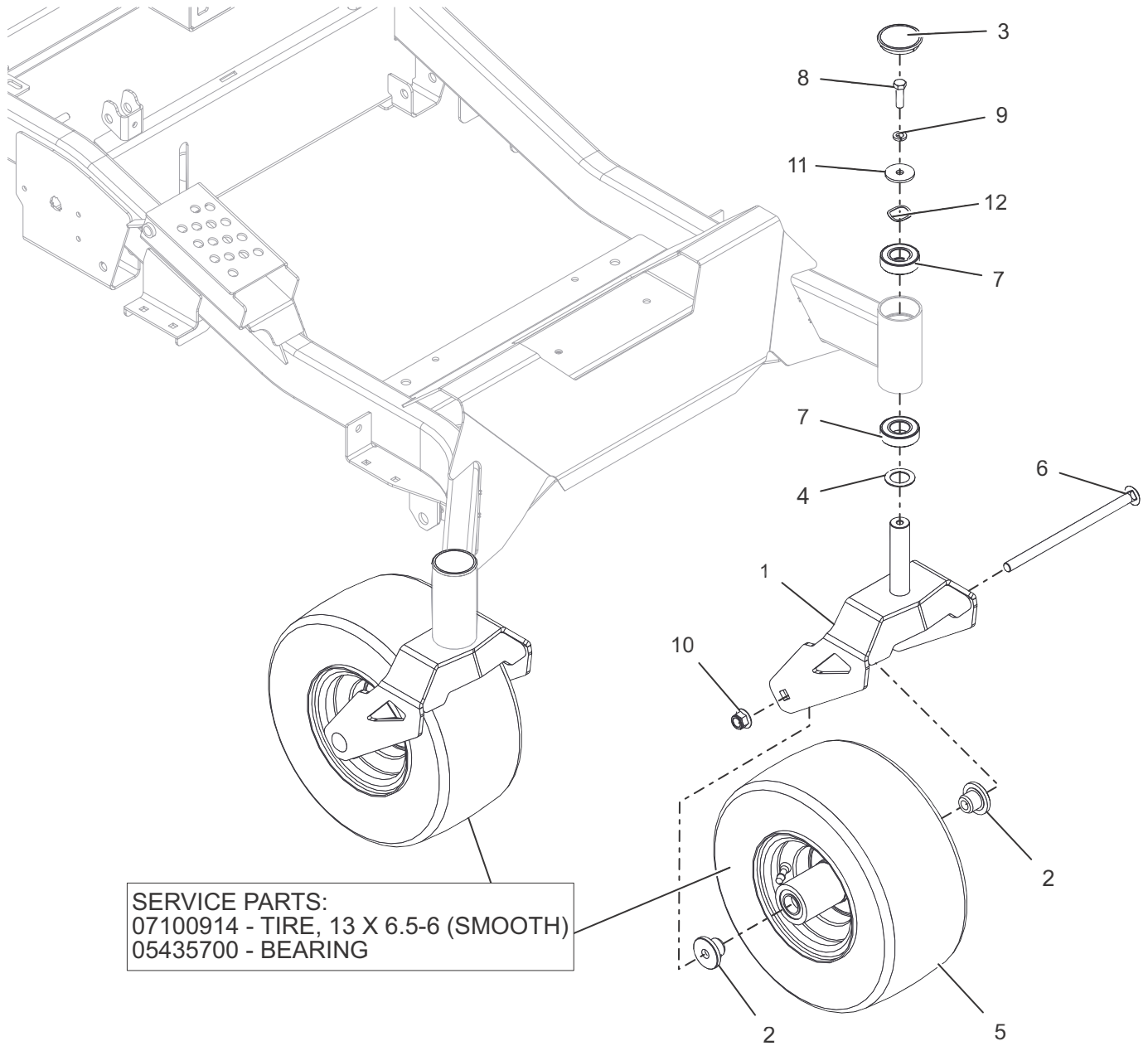
Models All



BOM ID	Number	Qty	Description
1	03563100	2	ROD, END .38 RH
2	03668700	2	ROD, END .38 LH
3	04998551	1	HANDLE, PARKING BRAKE - WLDMT (BLACK)
4	04998600	1	ARM, BRAKE - LH (W/PIN)
5	06900640	1	CABLE, BRAKE
6	03252300	1	SWITCH, SINGLE POLE N.O.
7	03764800	1	TRUNNION, 1/4-20
8	03826900	1	GRIP, PARKING BRAKE (YELLOW)
9	04998700	1	ARM, BRAKE - RH
10	04999000	2	ROD, LINK - TRANSMISSION BRAKE
11	04999100	1	ROD, OVER CENTER
12	05000600	1	ROD, BRAKE LINK
13	05001000	2	ROD, STEERING LINK
14	05019951	2	BRKT, STEERING - TRANSAXLE (BLACK)
15	05067751	2	BRKT, SPCR (BLACK)
16	05104951	2	PLATE, BACK
17	05500106	1	BSHG, SLV .385 X .500 X 1.045
18	05501226	2	SPCR, .385X.500X.652
19	05501235	6	SPCR, .385X.500X.350
20	05501315	2	SPCR, FLANGE
21	06700222	4	PIN, HAIR #213 .08X1.19 ZCC
22	07001734	2	BLT, SHLDR .38X.25 -.31-18X.75THD
23	08300028	2	SPRG, COMPRESSION
24	08320900	1	SPRG, COMPRESSION
25	05901809	6	BLT, HEX 0.375-16X1.75 GR5 ZCC
26	06500904	5	NUT, FLG-TOP LK .312-18 GR5 ZCC
27	06500822	10	NUT, FLG-TOP LK .375-16 GRF ZC120
28	06500739	4	NUT, HEX-JAM .375-24 ZC120
29	06200310	2	BTL,RHSSN .313-18 X 1.25 G5 ZCC
30	06200236	2	BTL,RHSSN .375-16 X 1.25 G5 ZCC
31	06401023	1	WSHR-FL-STL 0.375X0.875X0.083 ZC120
32	06401017	6	WSHR-FL-STL 0.344X0.688X0.065 ZC120
33	05700125	1	RING, RETAINING-E .25X.025
34	06500814	4	NUT, HEX .50-13 GR5 ZC120

# FRONT CASTER WHEELS

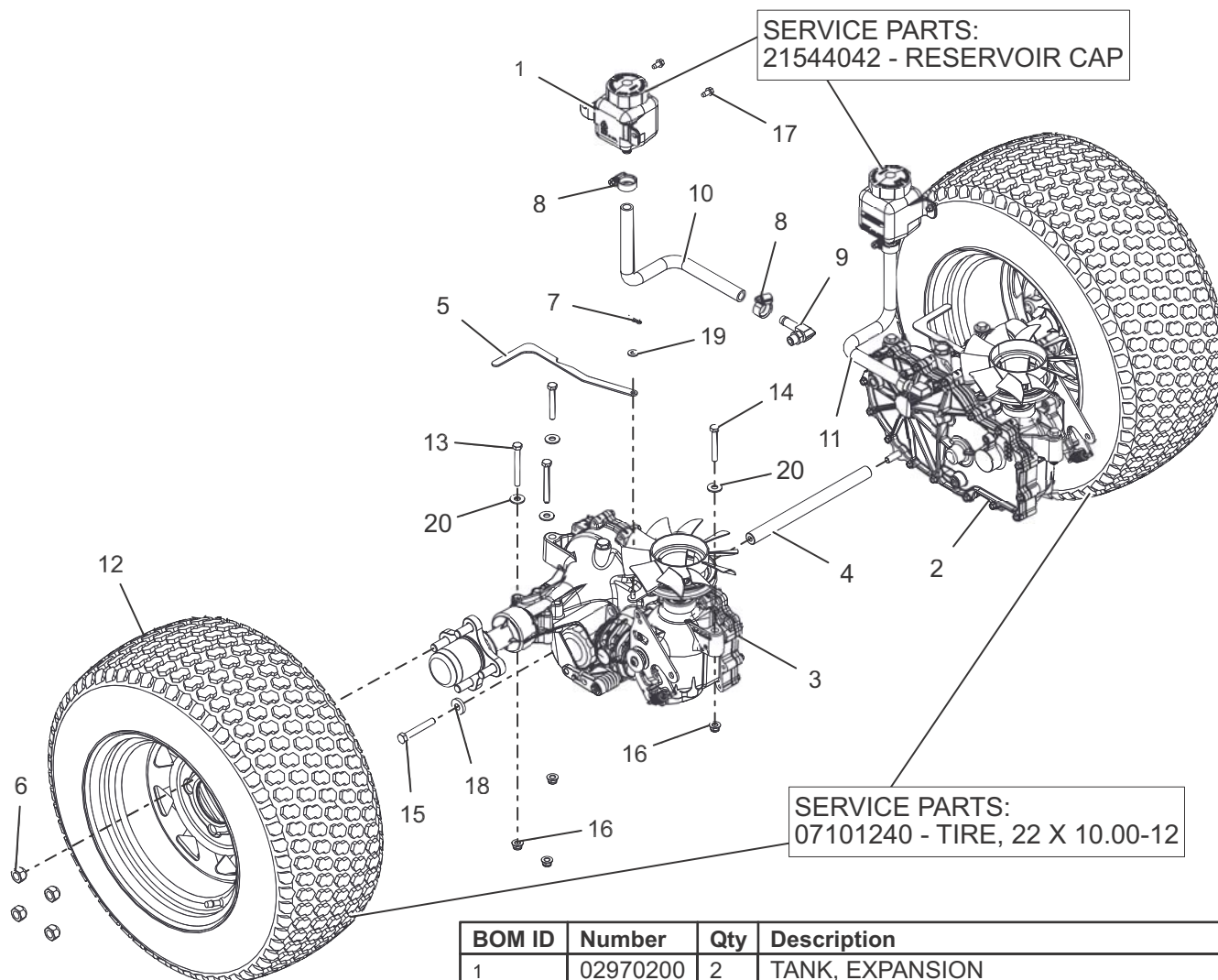
Models All



BOM ID	Number	Qty	Description
1	04999659	2	WLDMT, HD CASTER FORK
2	00675300	4	SPACER, FRONT WHEEL
3	04792200	2	CAP, DUST
4	06416600	2	WSHR, HRD THRS 1.007X1.542X.062
5	07101226	2	ASSM TIREWHEEL, 13 X 6.50-6
6	06200134	2	BOLT, CARRIAGE 0.5-13X9 GR5
7	05400722	4	BRG-BALL 1.00X2.00X.56
8	05958000	2	BOLT, HEX 0.375-16X1.25 GR5
9	06306500	2	WSHR-LK .38X.115 HVY YWZC
10	06500010	2	NUT-LK-NYL-FLG .50-13 YWZC
11	06443400	2	WSHR-FL-STL .380X1.50X.125 YWZC
12	06401030	2	WASHER, WAVE

# REAR TIRES AND TRANSAXLES – 48"

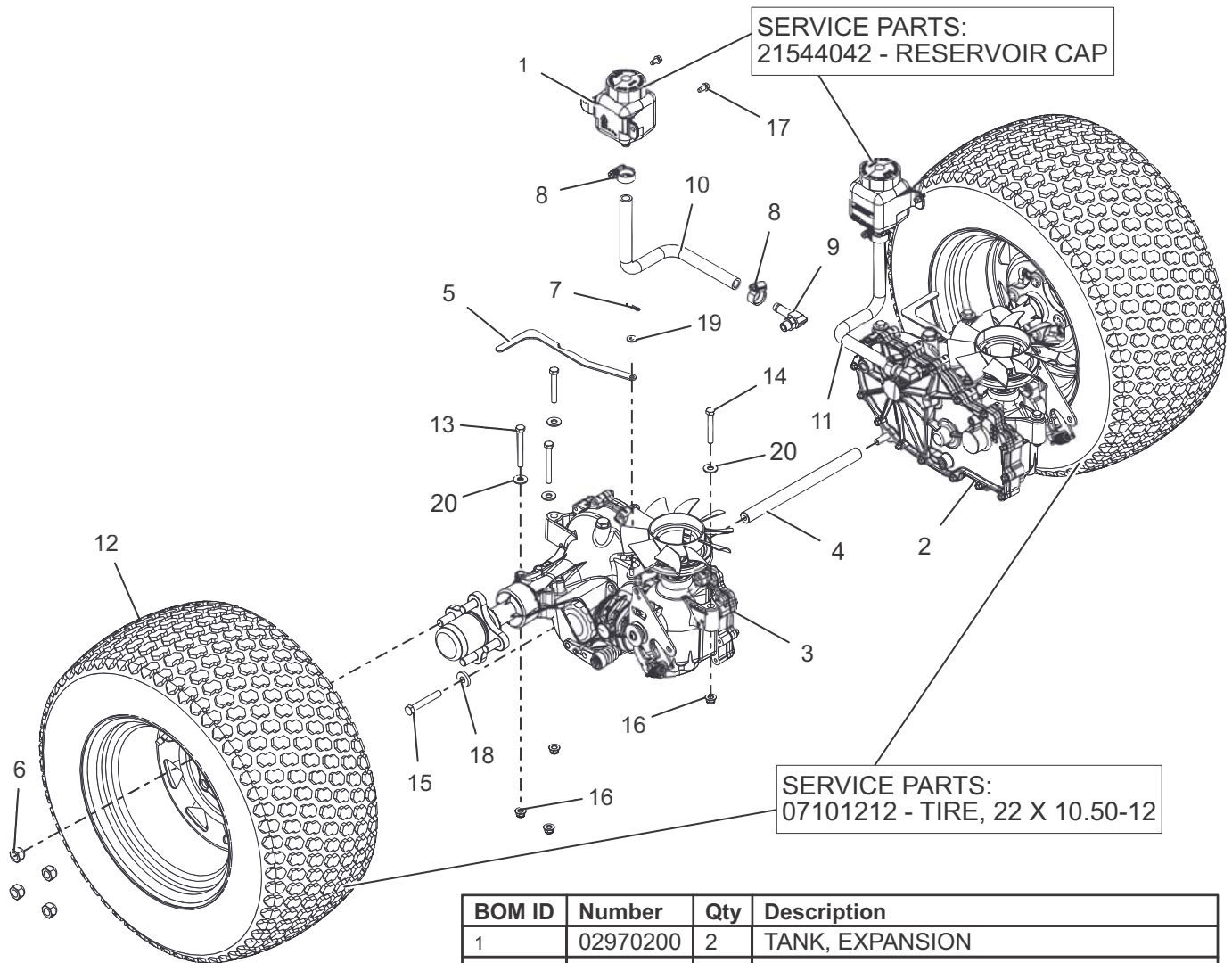
Models 99153, 173



BOM ID	Number	Qty	Description
1	02970200	2	TANK, EXPANSION
2	05002900	1	TRANSAXLE, HYDROGEAR - ZT3100 LH
3	05003000	1	TRANSAXLE, HYDROGEAR - ZT3100 RH
4	05012900	1	SHAFT, TRANSAXLE
5	05076751	2	BRKT, VALVE DUMP
6	06517600	8	NUT, LUG .500-20
7	06714800	2	PIN-HAIR, ENDRIES #25 YWZC
8	06923500	4	CLAMP, HOSE - .88 DIA
9	07001528	2	FITTING, HYD (90 DEG)
10	07001803	1	HOSE, EXPANSION - HD RH
11	07001804	1	HOSE, EXPANSION TANK -HD LH
12	07101224	2	ASSM TIRE\WHEEL, 22 X 10.00 - 12
13	05960600	4	BOLT, HEX 0.313-18X2.75 GR5
14	05963700	4	BOLT, HEX 0.313-18X2.25 GR5
15	05958400	2	BOLT, HEX 0.375-16X2.5 GR5
16	06545400	8	NUT-LK-NYL-FLG .31-18 YWZC
17	07400034	4	SCR-TAP .25-20X.50 HWH TR YWZ
18	06444000	2	WSHR-FL-STL .406X1.00X.188 YWZC
19	06437300	2	WSHR-FL-STL.281X.62X.065 YWZC
20	06435700	8	WSHR-FL-STL.38X.875X.083 YWZC

# REAR TIRES AND TRANSAXLES – 52"

Model 991155, 175

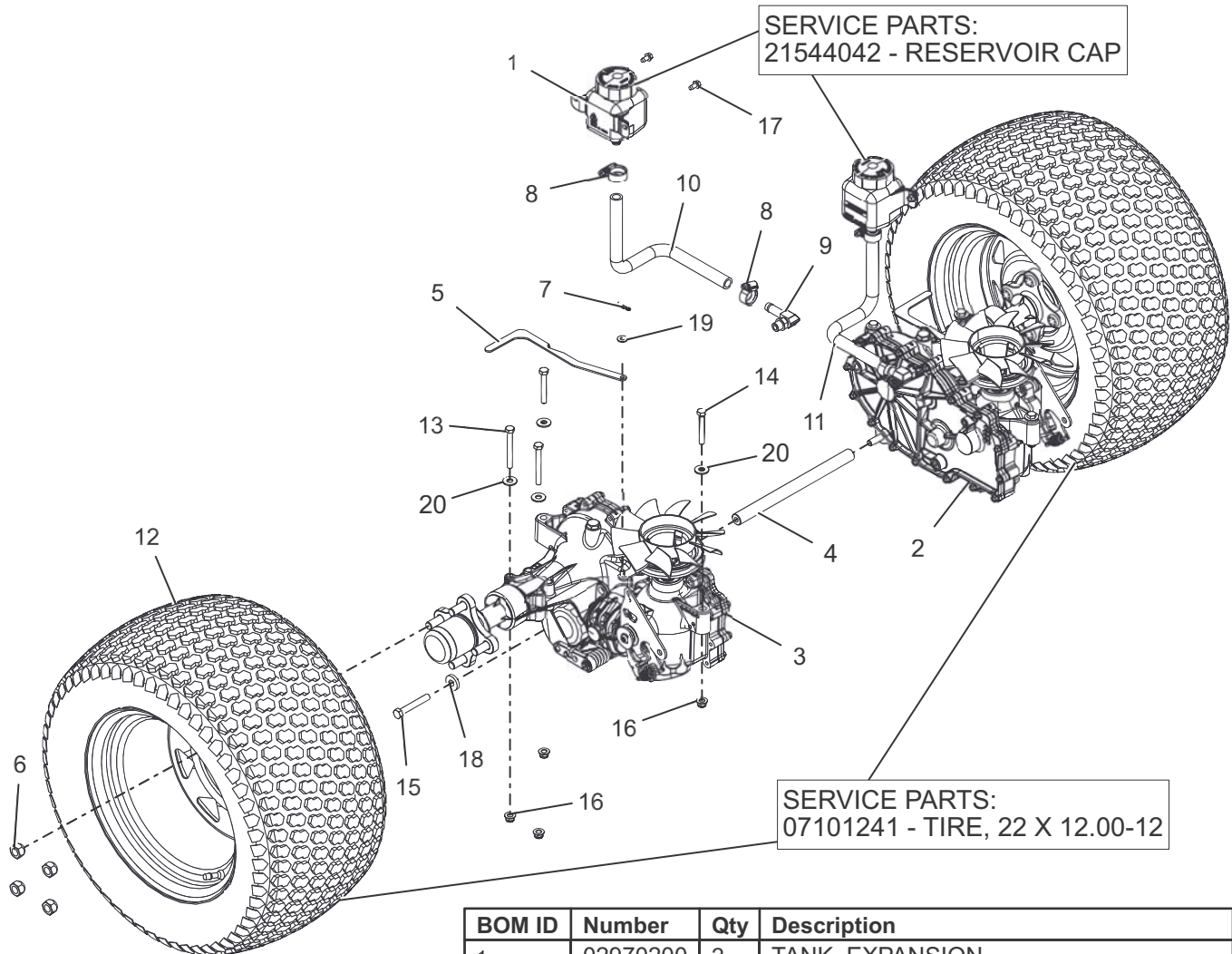


BOM ID	Number	Qty	Description
1	02970200	2	TANK, EXPANSION
2	05002900	1	TRANSAXLE, HYDROGEAR - ZT3100 LH
3	05003000	1	TRANSAXLE, HYDROGEAR - ZT3100 RH
4	05012900	1	SHAFT, TRANSAXLE
5	05076751	2	BRKT, VALVE DUMP
6	06517600	8	NUT, LUG .500-20
7	06714800	2	PIN-HAIR, ENDRIES #25 YWZC
8	06923500	4	CLAMP, HOSE - .88 DIA
9	07001528	2	FITTING, HYD (90 DEG)
10	07001803	1	HOSE, EXPANSION - HD RH
11	07001804	1	HOSE, EXPANSION TANK -HD LH
12	07101211	2	ASSM TIRE\WHEEL, 22 X 10.50 - 12
13	05960600	4	BOLT, HEX 0.313-18X2.75 GR5
14	05963700	4	BOLT, HEX 0.313-18X2.25 GR5
15	05958400	2	BOLT, HEX 0.375-16X2.5 GR5
16	06545400	8	NUT-LK-NYL-FLG .31-18 YWZC
17	07400034	4	SCR-TAP .25-20X.50 HWH TR YWZ
18	06444000	2	WSHR-FL-STL .406X1.00X.188 YWZC
19	06437300	2	WSHR-FL-STL.281X.62X.065 YWZC
20	06435700	8	WSHR-FL-STL.38X.875X.083 YWZC



# REAR TIRES AND TRANSAXLES – 60"

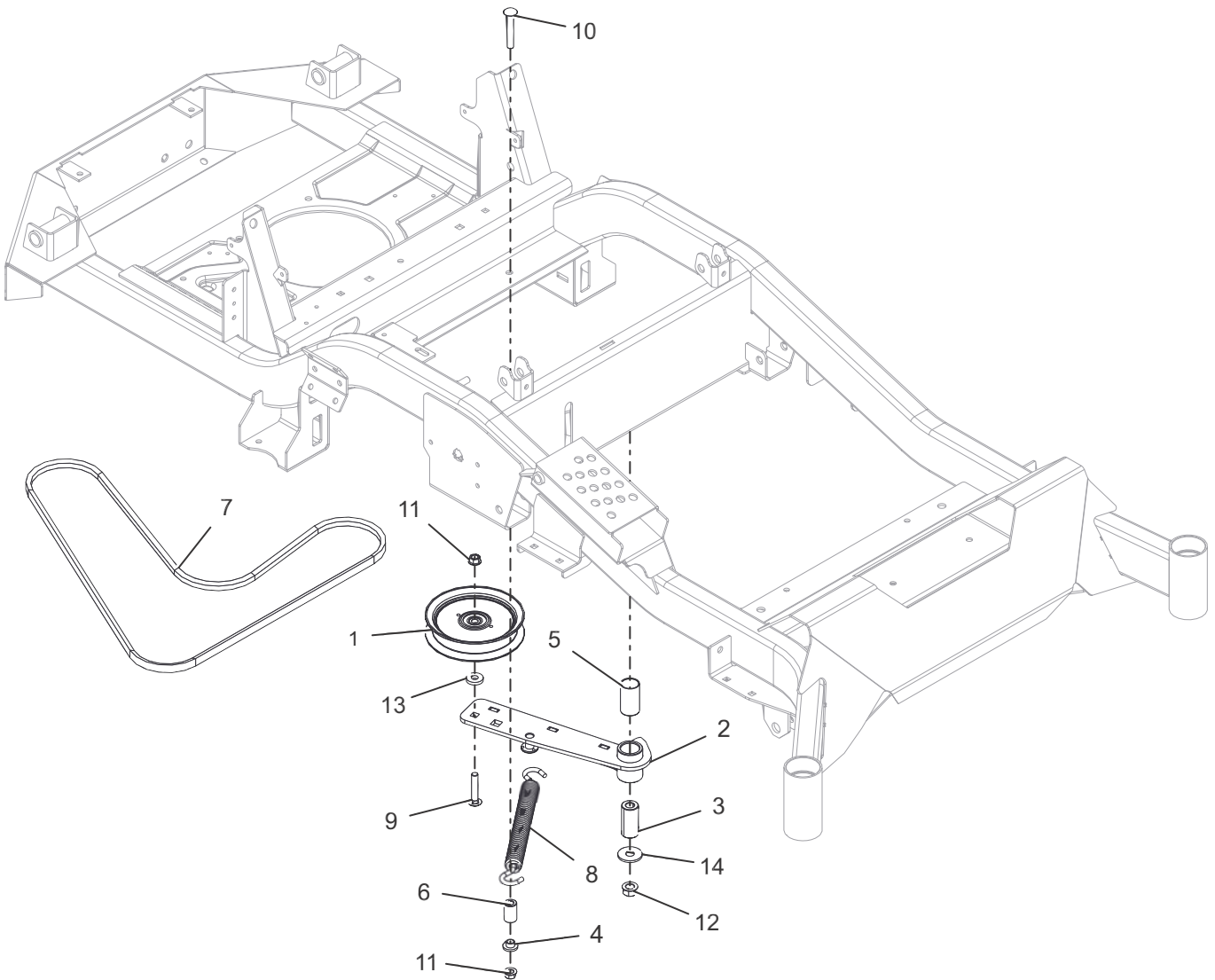
Models 991151, 157, 177



BOM ID	Number	Qty	Description
1	02970200	2	TANK, EXPANSION
2	05002900	1	TRANSAXLE, HYDROGEAR - ZT3100 LH
3	05003000	1	TRANSAXLE, HYDROGEAR - ZT3100 RH
4	05012900	1	SHAFT, TRANSAXLE
5	05076751	2	BRKT, VALVE DUMP
6	06517600	8	NUT, LUG .500-20
7	06714800	2	PIN-HAIR, ENDRIES #25 YWZC
8	06923500	4	CLAMP, HOSE - .88 DIA
9	07001528	2	FITTING, HYD (90 DEG)
10	07001803	1	HOSE, EXPANSION - HD RH
11	07001804	1	HOSE, EXPANSION TANK -HD LH
12	07101227	2	ASSM TIRE\WHEEL, 22 X 12.00 - 12
13	05960600	4	BOLT, HEX 0.313-18X2.75 GR5
14	05963700	4	BOLT, HEX 0.313-18X2.25 GR5
15	05958400	2	BOLT, HEX 0.375-16X2.5 GR5
16	06545400	8	NUT-LK-NYL-FLG .31-18 YWZC
17	07400034	4	SCR-TAP .25-20X.50 HWH TR YWZ
18	06444000	2	WSHR-FL-STL .406X1.00X.188 YWZC
19	06437300	2	WSHR-FL-STL.281X.62X.065 YWZC
20	06435700	8	WSHR-FL-STL.38X.875X.083 YWZC

# TRANSAXLE DRIVE

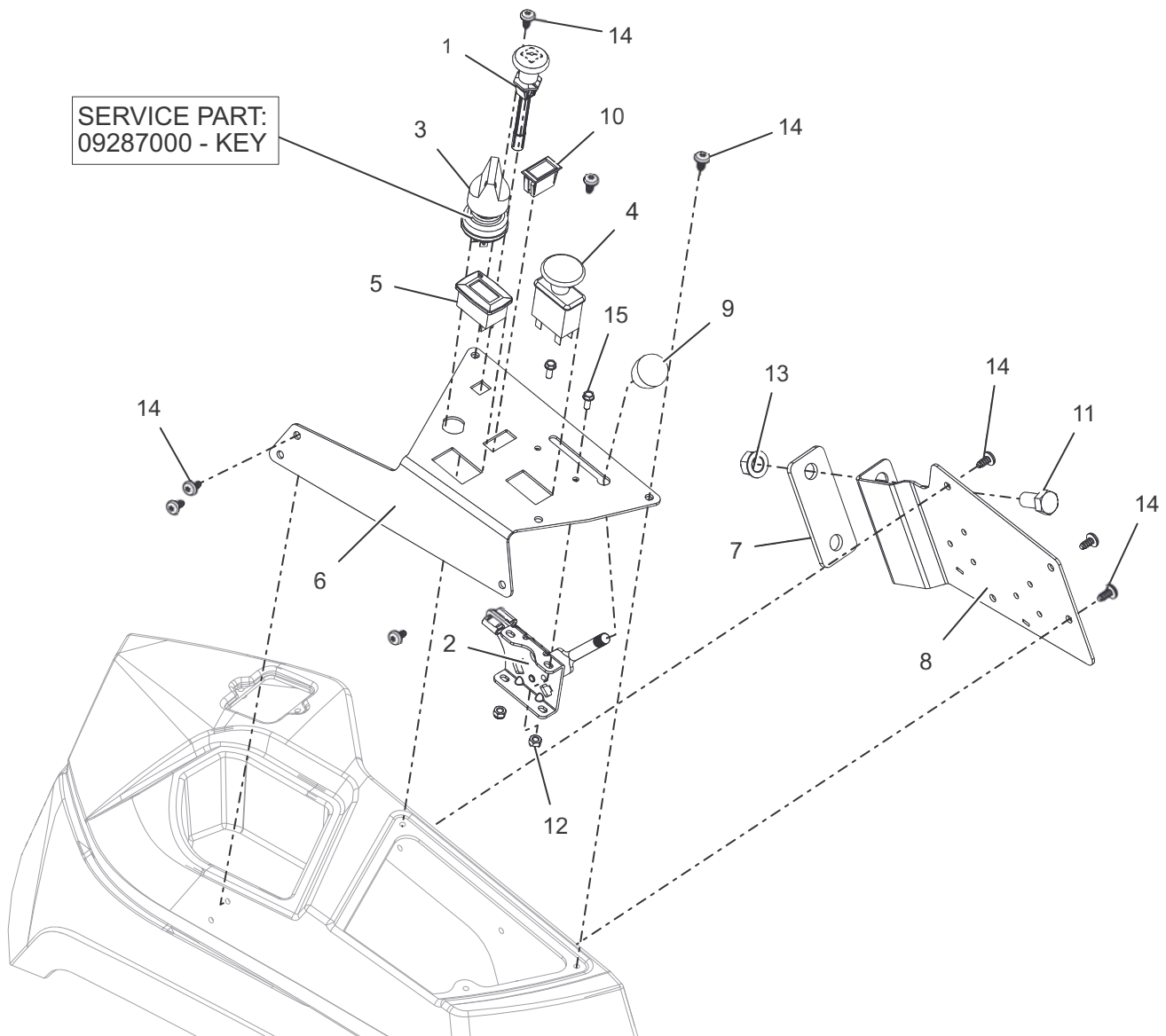
Models All



BOM ID	Number	Qty	Description
1	07345600	1	IDLER, FLAT
2	05007951	1	WLDMT, HYDRO DRIVE IDLER ARM (BLACK)
3	01581700	1	BSHG, SPCR .502X.997X2.03
4	05500435	1	BSHG, FLG .385 X .500 X .875 X .406
5	05501234	1	BSHG, 1.00x1.125x1.9375
6	05501308	1	BUSHING, SLV .380 X .750 X 1.190
7	07225600	1	V-BELT, 4L-WRAPPED
8	08300711	1	SPRG, EXTENSION - SWIVEL
9	06224300	1	BOLT, CARRIAGE 0.375-16X2 GR5
10	06200213	1	BLT-RHDSSQNK .38-16X2.50 G5YZ
11	06542000	2	NUT, LK-TOP-FLG .38-16 YWZC
12	06543600	1	NUT, LK-TOP-FLG .50-13 YWZC
13	06444000	1	WSHR-FL-STL .406X1.00X.188 YWZC
14	06436400	1	WSHR-FL-STL .511X1.441x.125 YWZC

# CONTROL PANEL

## Model All

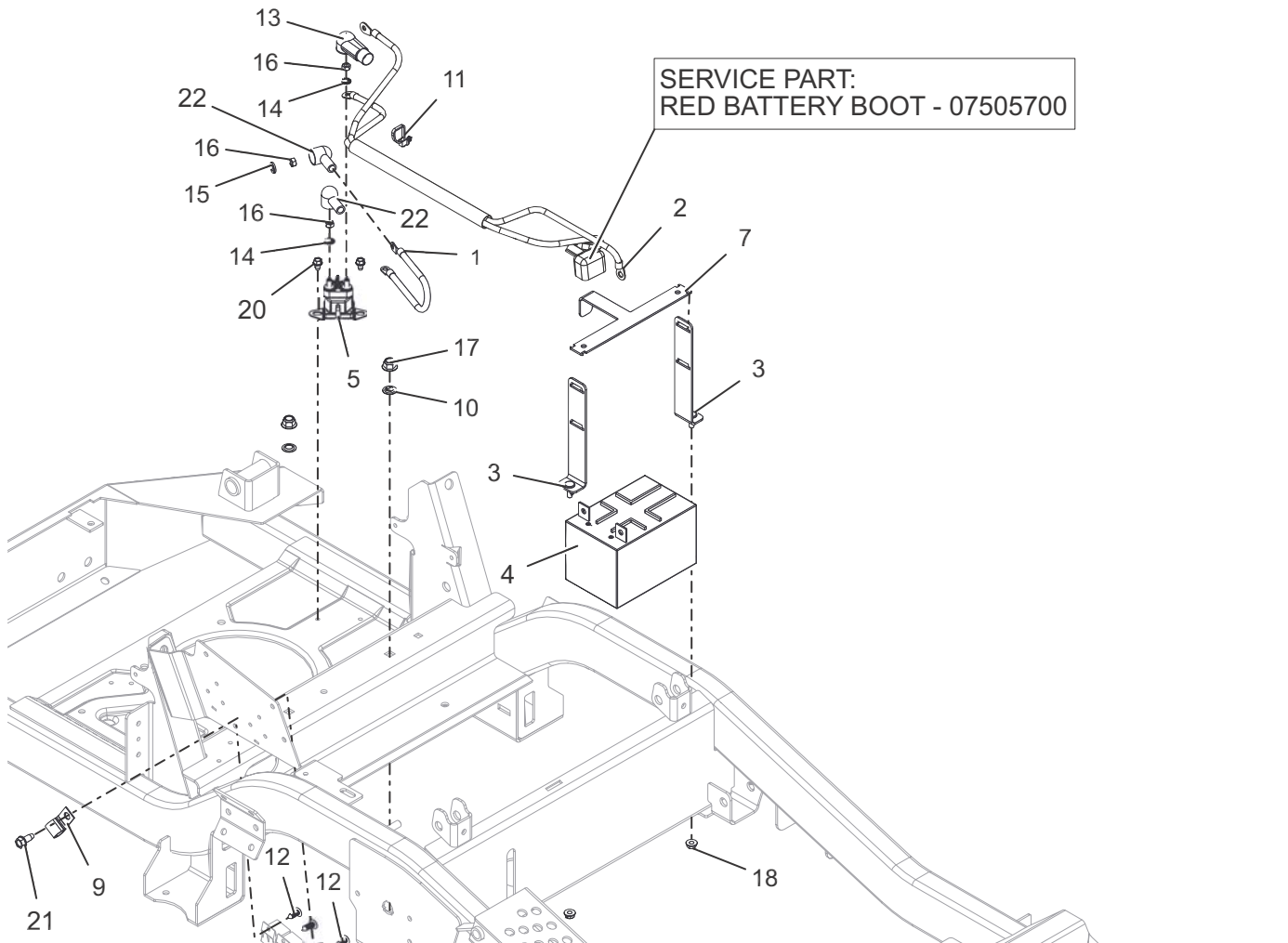


BOM ID	Number	Qty	Description
1	06900621	1	CABLE, CHOKE
2	06900619	1	CABLE, PRO THROTTLE CONTROL
3	04331700	1	SWITCH, IGNITION
4	01545600	1	SWITCH, CLUTCH
5	03966800	1	HOUR, METER - W/MAINTENANCE
6	05108759	1	PLATE, APEX CONTROL PANEL (ORANGE)
7	05117459	1	PLATE, SPCR
8	05126951	1	BRKT, RELAY
9	07500132	1	KNOB, CONTROL
10	09003300	1	SWITCH, BLANK
11	05947100	1	BOLT, HEX 0.5-13X1 GR5
12	06536000	2	NUT-LK-NYL #10-24 YWZC
13	06543600	1	NUT, LK-TOP-FLG .50-13 YWZC
14	07400123	9	SCR-TAP .25-15X.50 PLASTITE BLZC
15	06116700	2	SCR-MCH 10-24X.50 HWH YWZC



# ELECTRICAL

## Models All

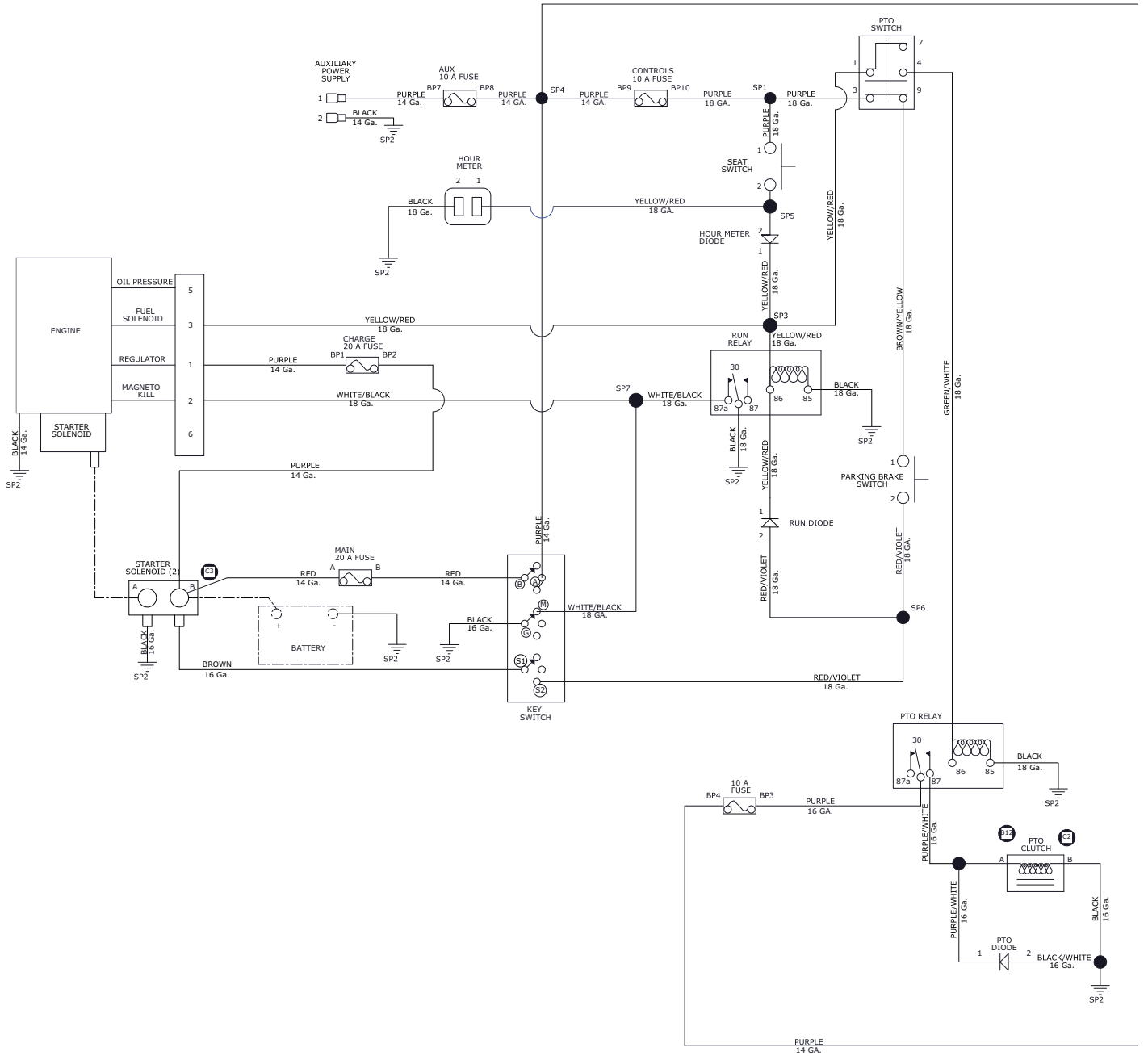


SERVICE PARTS:  
 Diode - 09293501  
 Fuse - 10A Mini 04438100  
 Fuse - 20A Mini 04438300  
 Relay - 00432100  
 Fuse - 20A ATC 00191262

BOM ID	Number	Qty	Description
1	04783300	1	CABLE, POS W/(2) 1/4 RING 9.0 LG
2	05074100	1	HARNESS, BATTERY
3	05107451	2	WLDMT, BATTERY MOUNT HOLD DOWN (BLACK)
4	04738800	1	BATTERY, 12V 12A -190CCA
5	04781700	1	SOLENOID, STARTER (SEALED)
6	05011700	1	HARNESS, WIRE -2017 HD
7	05031551	1	BRKT, BATTERY
8	05111451	1	GUARD, ELEC HARNESS (BLACK)
9	06916000	1	J-CLAMP
10	07009900	2	NUT, PUSH .38 DIA. PAL ZINC
11	07500040	1	CABLE, TIE W/TREE (.25 HOLE)
12	07500125	3	RIVET, .25 NYLON PANEL
13	07500401	1	BOOT, .65 ID POS
14	06300118	2	WSHR-LK-EXT 0.262X0.502X0.026 ZC120
15	06300119	1	WSHR,LK-REG 0.314 X 0.078 ZCC
16	06500925	3	NUT, HEX M6-1.0 GR8.8 ZC120
17	06500726	2	NUT, LK-NYL-FLG .38-16 GR5 ZC120
18	06500903	2	NUT, FLG-TOP LK .250-20 GR5 ZC120
19	06200313	2	BTL,RHSN .375-16 X 1 G5 ZCC
20	07400125	2	SCR-TAP .25-20X.38 HWH ZCC
21	07400127	1	SCR-TAP .312-18X.75 HWH ZCC
22	07533200	2	BOOT, EYELET TERMINAL

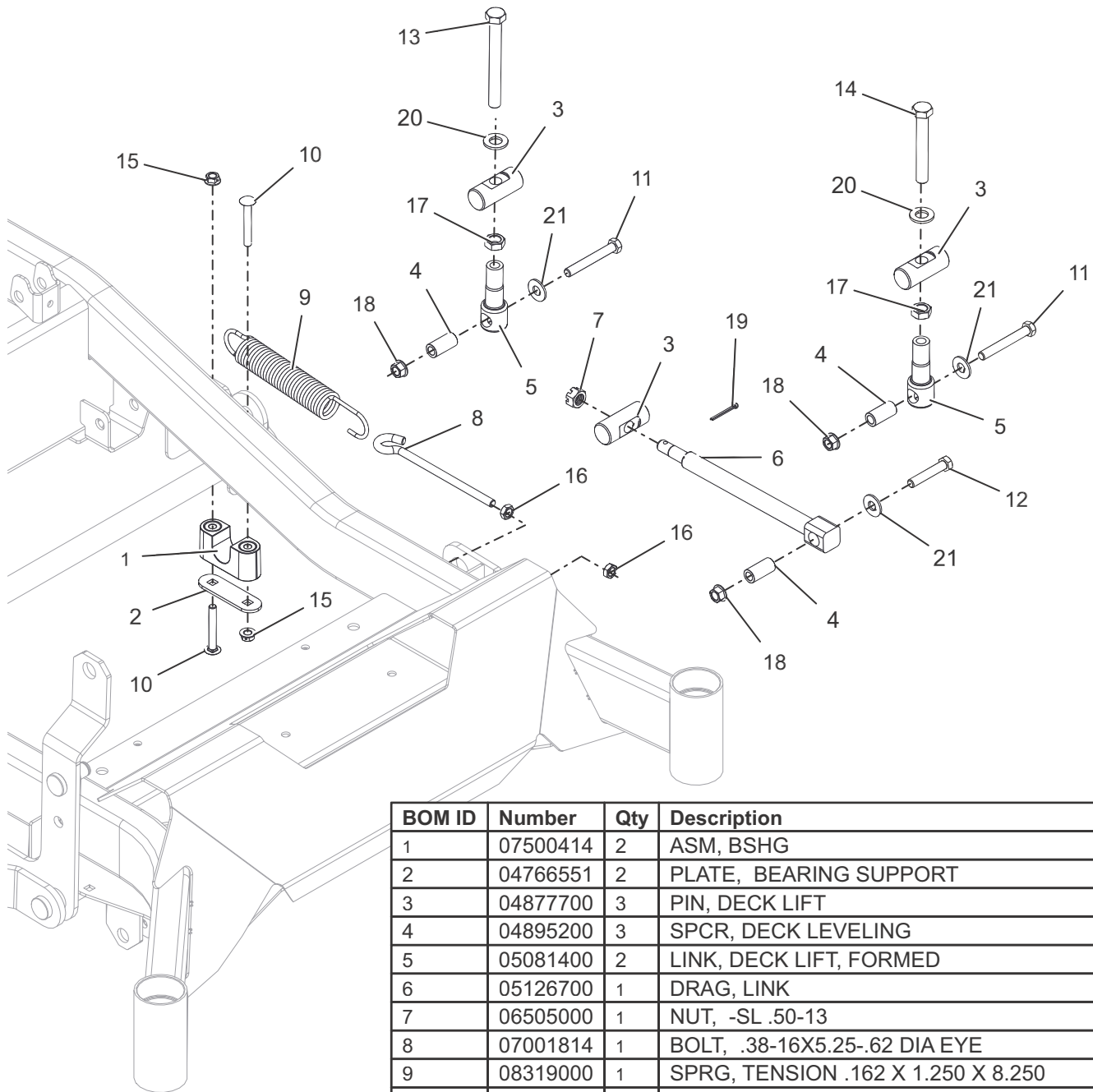
# WIRING DIAGRAM

Models All



# DECK LIFT – LH

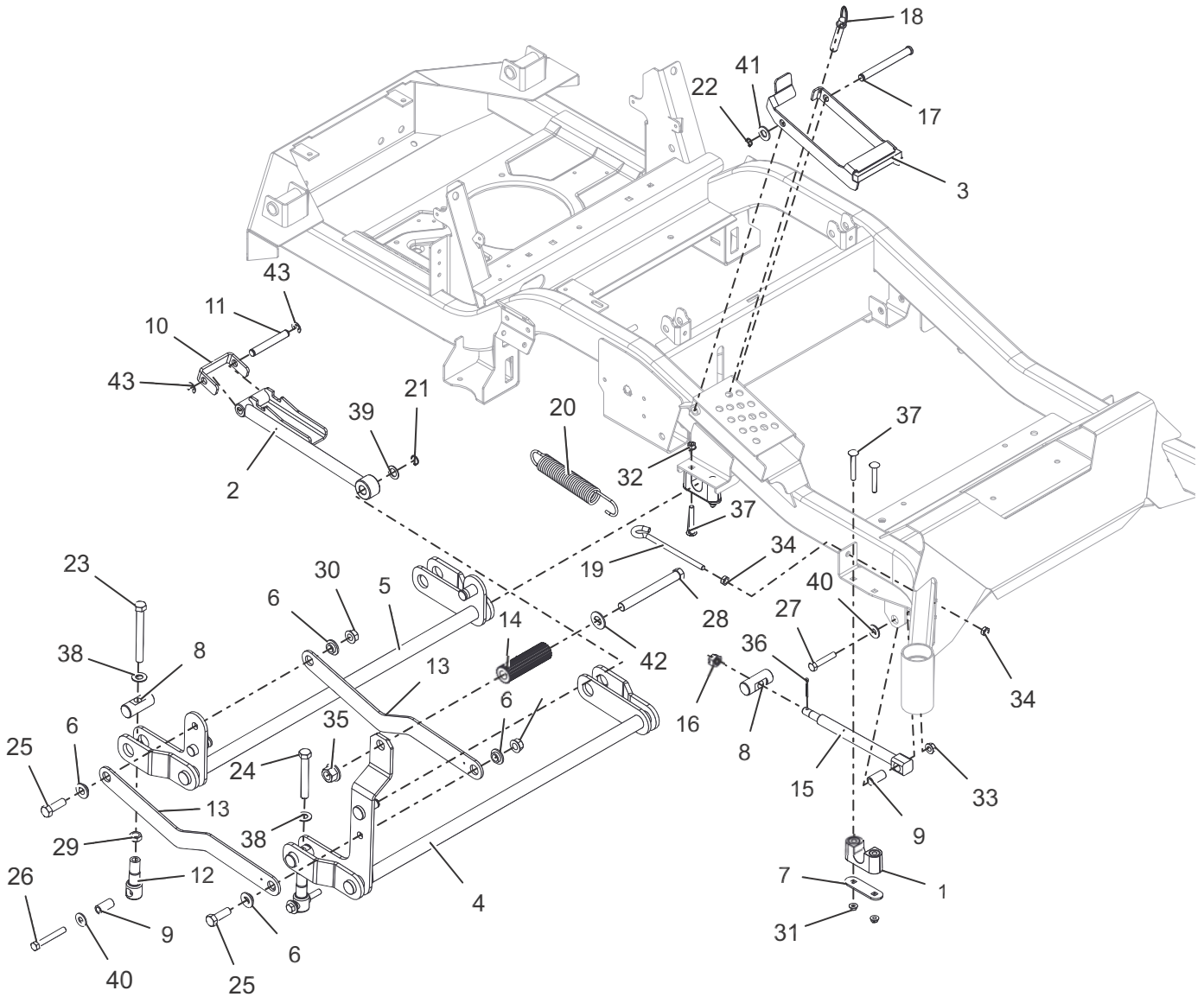
Models All



BOM ID	Number	Qty	Description
1	07500414	2	ASM, BSHG
2	04766551	2	PLATE, BEARING SUPPORT
3	04877700	3	PIN, DECK LIFT
4	04895200	3	SPCR, DECK LEVELING
5	05081400	2	LINK, DECK LIFT, FORMED
6	05126700	1	DRAG, LINK
7	06505000	1	NUT, -SL .50-13
8	07001814	1	BOLT, .38-16X5.25-.62 DIA EYE
9	08319000	1	SPRG, TENSION .162 X 1.250 X 8.250
10	06200226	4	BLT-RDHDSQSHNK .31-18X2.25 YWZC
11	05963000	2	BOLT, HEX 0.375-16X2.75 GR8
12	05963300	1	BOLT, HEX 0.375-16X2 GR5
13	05900102	1	BOLT, HEX 0.5-13X4.5 GR8
14	05901336	1	BOLT, HEX 0.5-13X3.5 GR5
15	06528700	4	NUT, LK-CTR-FLG .31-18 YWZC
16	06535900	2	NUT, JAM .375-16 YWZC
17	06529300	2	NUT, JAM .500-13 YWZC
18	06542000	3	NUT, LK-TOP-FLG .38-16 YWZC
19	06712600	1	PIN-CTR .12X1.25 EXTPRSQCT YW
20	06400418	2	WSHR-FL-STL .557X1.040X.102 YWZC HARD
21	06435900	3	WSHR-FL-STL.438X1.00X.083 YWZC

# DECK LIFT – RH

Models All

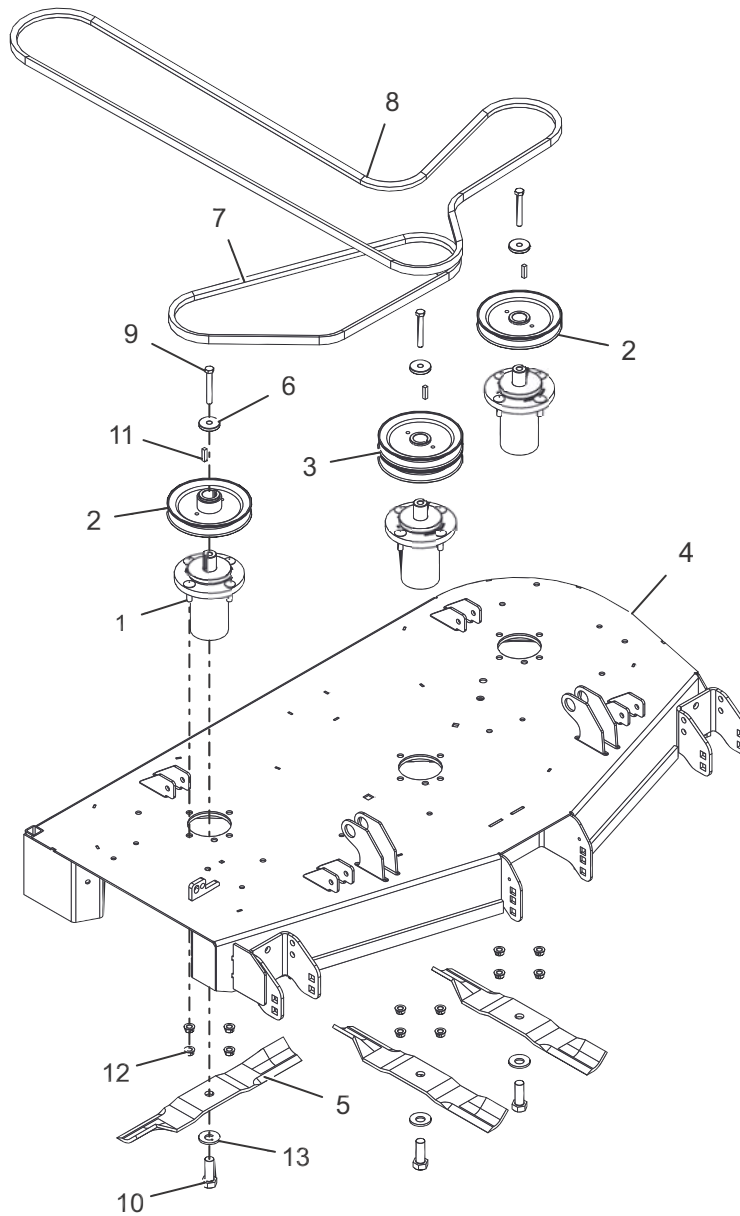


BOM ID	Number	Qty	Description
1	07500414	2	ASM, BSHG
2	05022059	1	WLDMT, HOC LIFT ARM (ORANGE)
3	05025259	1	WLDMT, HOC TRANSFER LOCK (ORANGE)
4	05019659	1	WLDMT, FRONT DECK LIFT PIVOT
5	05019759	1	WLDMT, REAR DECK LIFT PIVOT (ORANGE)
6	03989100	4	BSHG, FLANGE .515X.750X.31X1.12
7	04766551	2	PLATE, BEARING SUPPORT
8	04877700	3	PIN, DECK LIFT
9	04895200	3	SPCR, DECK LEVELING
10	05077551	1	BRKT, HOC LINE (BLACK)
11	05077700	1	ROD, HOC PIVOT
12	05081400	2	LINK, DECK LIFT, FORMED
13	05083959	2	LINK, DECK
14	05120951	1	ROD, FOOT PEDAL (BLACK)
15	05126700	1	DRAG, LINK
16	06505000	1	NUT, -SL .50-13
17	06800132	1	PIN, CLEVIS .500X4.75X4.55
18	06800136	1	PIN, .500 x 2.200 USABLE LG BALL
19	07001814	1	BOLT, .38-16X5.25-.62 DIA EYE
20	08319000	1	SPRG, TENSION .162 X 1.250 X 8.250
21	05709200	1	RG-RTNG-EXT .625x.050
22	05717100	1	RG-RTNG-EXT .500x.050

BOM ID	Number	Qty	Description
23	05901736	1	BLT, HEX 0.5-13X4.5F GR8 ZCC
24	05901735	1	BLT, HEX 0.5-13X3.5F GR5 ZCC
25	05901631	2	BLT, HEX 0.5-13X1.5 GR5 ZC120
26	05901813	2	BLT, HEX 0.375-16X2.75 GR8 ZCC
27	05901718	1	BLT, HEX 0.375-16X2 GR5 ZC120
28	05901730	1	BLT, HEX 0.625-11X5.5 GR5 ZB500
29	06500827	2	NUT, HEX-CTR LK .50-13 GR5 ZC120
30	06500835	2	NUT, FLG-TOP LK .625-11 GR5 ZB500
31	06500903	2	NUT, FLG-TOP LK .250-20 GR5 ZC120
32	06500840	2	NUT, FLG-CTR LK .312-18 GR5 ZCC
33	06500822	1	NUT, FLG-TOP LK .375-16 GRF ZC120
34	06500814	2	NUT, HEX .50-13 GR5 ZC120
35	06500835	1	NUT, FLG-TOP LK .625-11 FBP
36	06700212	1	PIN, CTR .12X1.25 EXTPRSQCT ZC120
37	06200311	4	BTL,RHSSN .313-18 X 2.25 G5 ZCC
38	06401116	2	WSHR-FL-STL 0.526X1.055X0.074 HRD
39	06401117	1	WSHR-FL-STL 0.63X1.005X0.062 ZCC
40	06401008	3	WSHR-FL-STL 0.438X1X0.083 ZC120
41	06401015	1	WSHR-FL-STL 0.531X1.062X0.095 ZC120
42	06401039	1	WSHR-FL-STL 0.656X1.312X0.095 RIE5230
43	05710200	2	RING, RETAINING-E .500X.042

# DECK, BELTS, BLADES AND SPINDLES – 48"

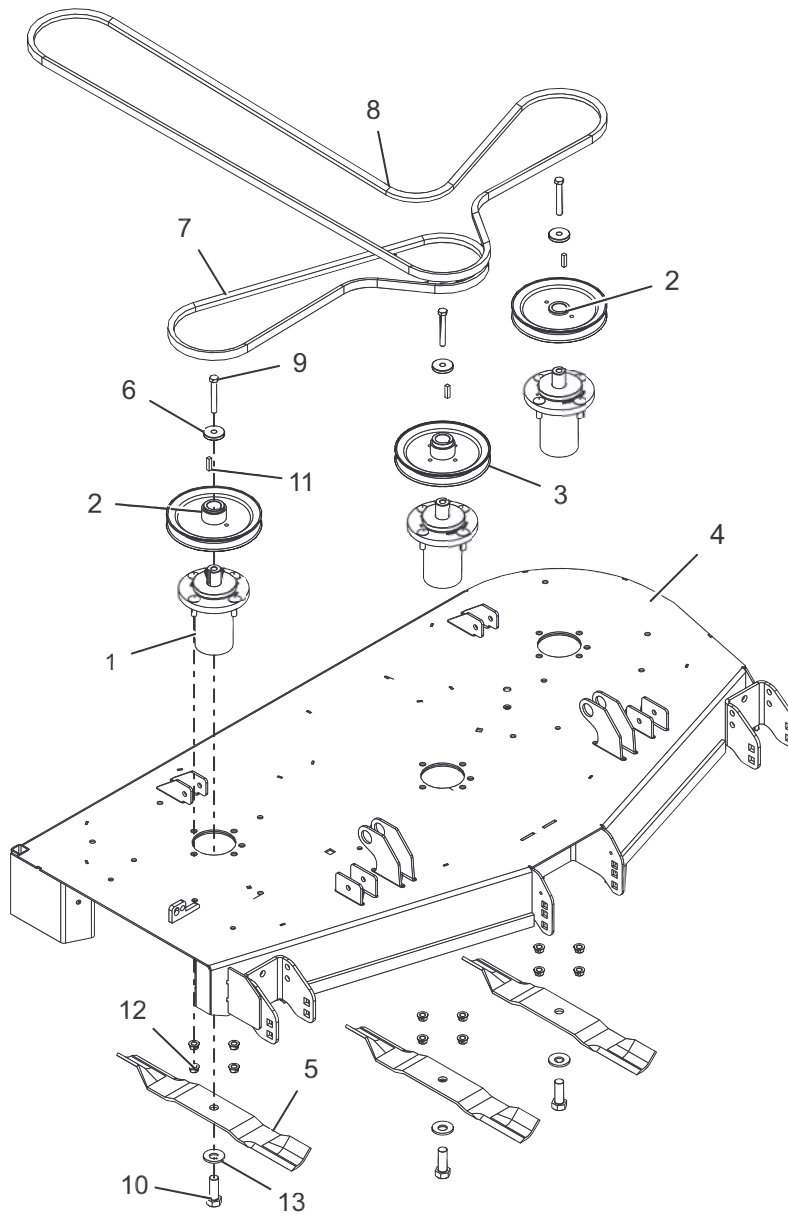
Models 991153, 173



BOM ID	Number	Qty	Description
1	58810800	3	ASM, ALUM SPINDLE
2	07332167	2	PULLEY, SINGLE -1.000 ID X 6.000 OD
3	07332367	1	PULLEY, DOUBLE 1.000 ID X 6.000 OD-BLACK
4	59107800	1	WLDMT, 48" SIDE DISCH DECK (ORANGE)
5	00450200	3	BLADE, 16.19" MOWER (HI-LIFT)
6	04530500	3	RETAINER, SHEAVE SPINDLE
7	07200805	1	V-BELT, B 52.46 RAW COGGED
8	07200815	1	V-BELT, HB SECTION
9	05963000	3	BOLT, HEX 0.375-16X2.75 GR8
10	05978900	3	BLT-HEX .625-18X1.75 GR8 YWZC
11	06611200	3	KEY-SQ .250X.250X1.00 RC 40-50
12	06534800	12	NUT, LK-CTR-FLG .38-16 YWZC
13	06445700	3	WSHR, BLVL-.63X1.625X.14

# DECK, BELTS, BLADES AND SPINDLES – 52"

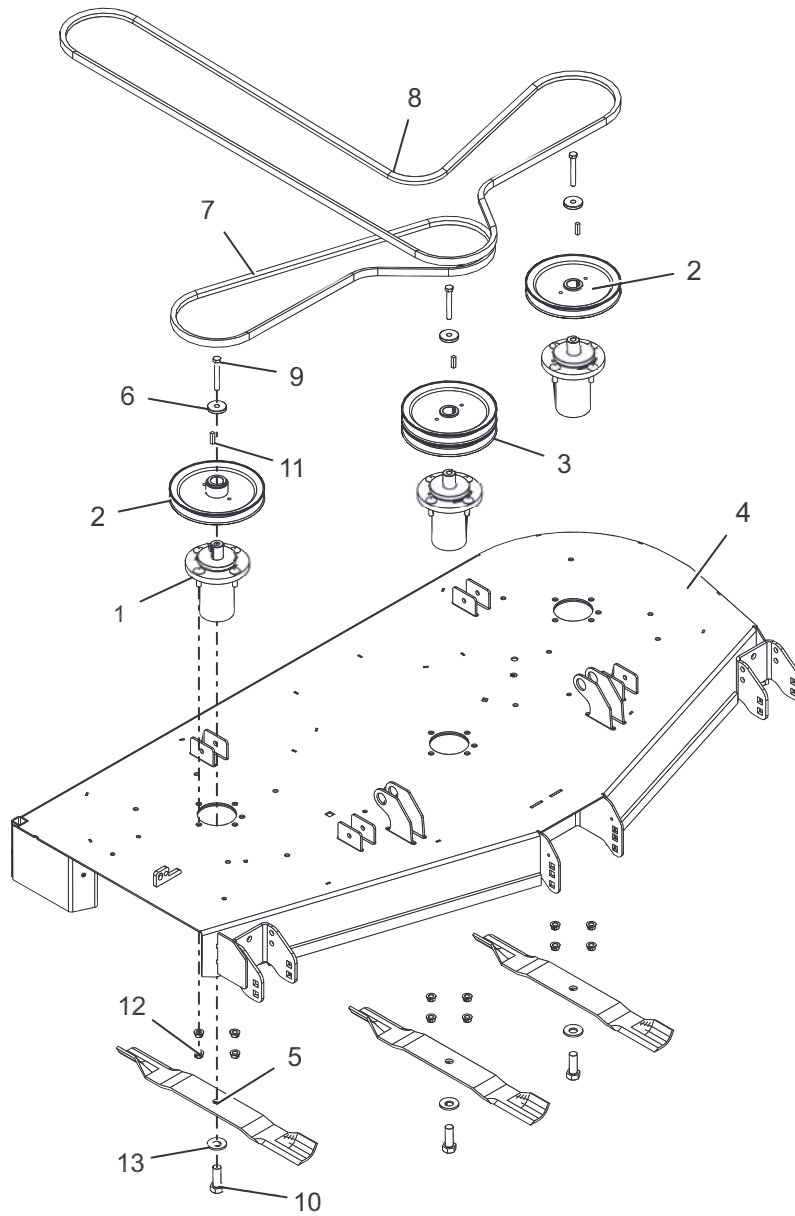
Model 991155, 175



BOM ID	Number	Qty	Description
1	58810800	3	ASM, ALUM SPINDLE
2	07328967	2	PULLEY, V-1.000 ID X 6.750 OD
3	07328867	1	PULLEY, DOUBLE 1.000 ID X 6.750 OD-BLACK
4	59108000	1	WLDMT, 52 SIDE DISCH DECK (ORANGE)
5	03253800	3	BLADE, 18"
6	04530500	3	RETAINER, SHEAVE SPINDLE
7	07200806	1	V-BELT, B 58.45 RAW COGGED
8	07200816	1	V-BELT, HB SECTION
9	05963000	3	BOLT, HEX 0.375-16X2.75 GR8
10	05978900	3	BLT-HEX .625-18X1.75 GR8 YWZC
11	06611200	3	KEY-SQ .250X.250X1.00 RC 40-50
12	06534800	12	NUT, LK-CTR-FLG .38-16 YWZC
13	06445700	3	WSHR, BLVL-.63X1.625X.14

# DECK, BELTS, BLADES AND SPINDLES – 60"

Models 9911151, 157, 177



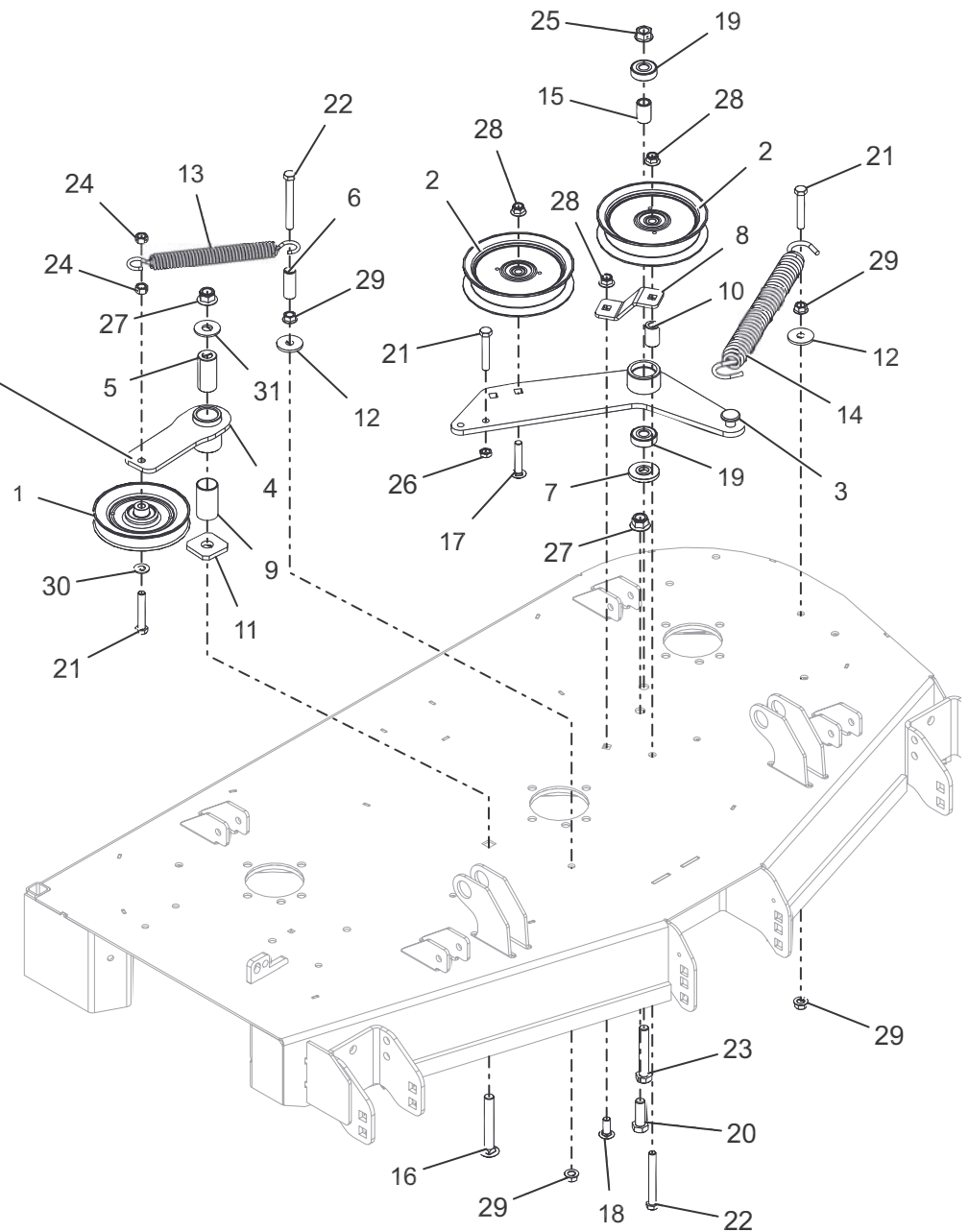
BOM ID	Number	Qty	Description
1	58810800	3	ASM, ALUM SPINDLE
2	07345967	2	PULLEY, V-1" ID X 7.50" OD (BLACK)
3	07346667	1	PULLEY, DOUBLE 1"X7.50"&7.50" (BLACK)
4	59108200	1	WLDMT, 60 SIDE DISCH DECK (ORANGE)
5	03253900	3	BLADE, 20.5"
6	04530500	3	RETAINER, SHEAVE SPINDLE
7	07200807	1	V-BELT, B 65.375 RAW COGGED
8	07200817	1	V-BELT, HB SECTION
9	05963000	3	BOLT, HEX 0.375-16X2.75 GR8
10	05978900	3	BLT-HEX .625-18X1.75 GR8 YWZC
11	06611200	3	KEY-SQ .250X.250X1.00 RC 40-50
12	06534800	12	NUT, LK-CTR-FLG .38-16 YWZC
13	06445700	3	WSHR, BLVL-.63X1.625X.14



# IDLERS AND SHEAVES – 48"

Models 991153, 173

03796400  
DECK RH IDLER ARM  
SERVICE ASSEMBLY  
INCLUDES:  
(1) 03774151 - IDLER ARM  
(1) 05501234 - BUSHING



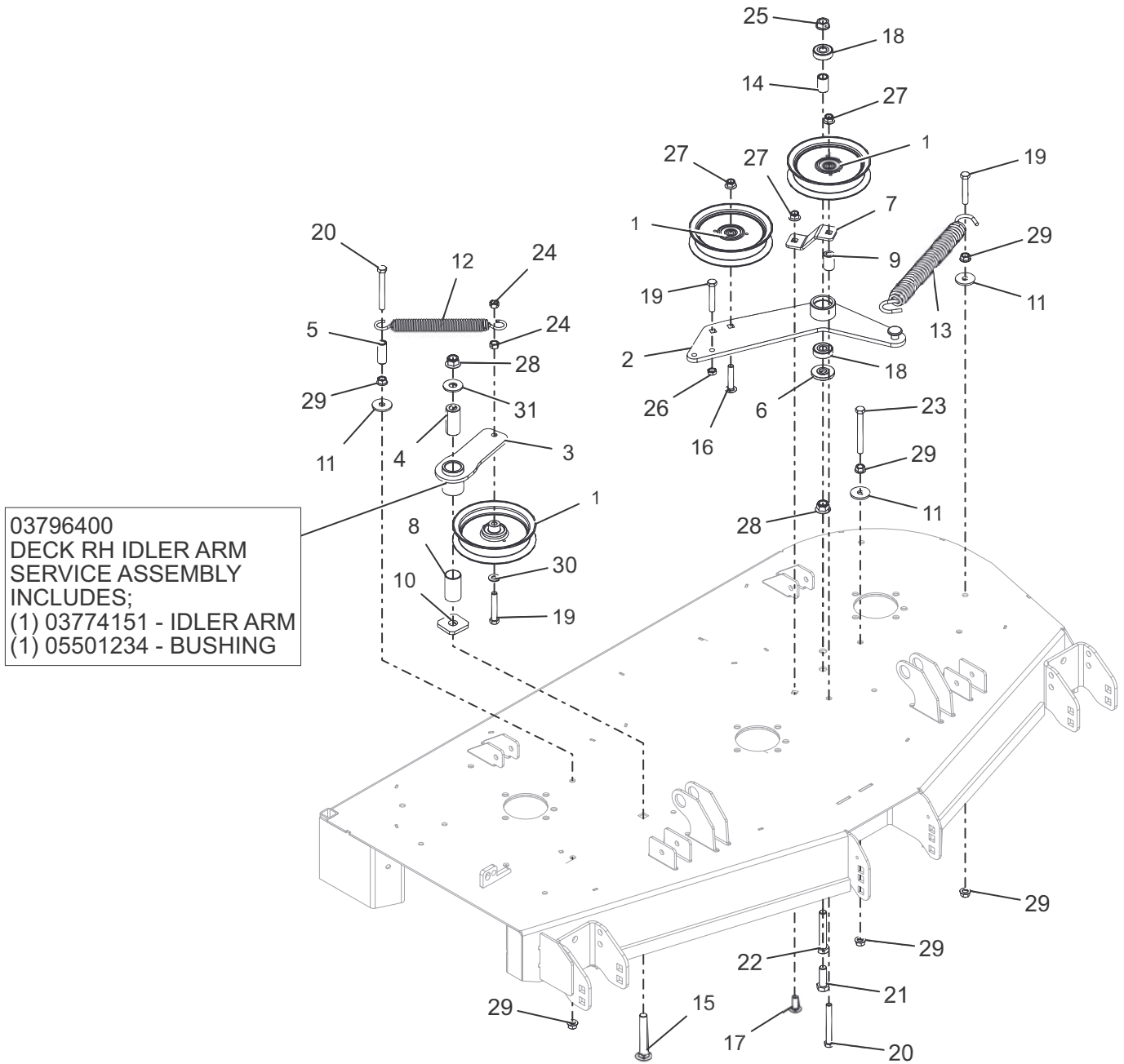
BOM ID	Number	Qty	Description
1	07340100	1	IDLER, V-5.00" W/.69 STANDOFF
2	07345600	2	IDLER, FLAT
3	04985651	1	WLDMT, DECK PTO IDLER ARM
4	03774151	1	WMT, IDLER PIVOT ARM
5	01581700	1	BSHG, SPCR .502X.997X2.03
6	03763400	1	SPCR, .375IDX.625ODX1.66 PM
7	04714600	1	SPACER, IDLER ARM
8	04981859	1	BRKT, PTO FIXED IDLER MTG (ORANGE)
9	05501234	1	BSHG, 1.00x1.125x1.9375
10	05501308	1	BUSHING, SLV .380 X .750 X 1.190
11	06400829	1	WSHR, -FLT.640X1.75X.250
12	06442400	2	WASHER-FLAT-STL, .406 X 1.375 X .135
13	08300507	1	SPRG, EXTENSION - SWIVEL
14	08300708	1	SPRG, EXTENSION
15	09357700	1	SPACER, .510 X .750 X 1.148
16	06225000	1	BOLT, CARRIAGE 0.5-13X3.5 GR5

BOM ID	Number	Qty	Description
17	06203200	1	BLT-RHDSSQNK .38-16X2.00 G5YZ
18	06212000	1	BLT-RDHDSHSQNK.38-16X1.0 G5YZ
19	05408000	2	BRG-BALL .500X1.375X.44
20	05962000	1	BOLT, HEX 0.5-13X1.5 GR5
21	05962900	3	BOLT, HEX 0.375-16X2.25 GR5
22	05961100	2	BOLT, HEX 0.375-16X3.25 GR5
23	05959900	1	BOLT, HEX 0.5-13X3 GR5
24	06529600	2	NUT-LK-CTR .38-16 YWZC
25	06530008	1	NUT-LK-CTR-FLG .50-13 YWZC
26	06535900	1	NUT, JAM, .375-16 YWZC
27	06500010	2	NUT-LK-NYL-FLG .50-13 YWZC
28	06545500	3	NUT-LK-NYL-FLG .38-16 YWZC
29	06534900	4	NUT-SPNLK-FLG .375-16 YWZC
30	06436200	1	WSHR-FL-STL.406X.812X.065 YWZ
31	06442000	1	WSHR-FL-STL.563X1.38X.109YWZC



# IDLERS AND SHEAVES – 52"

Model 991155, 175



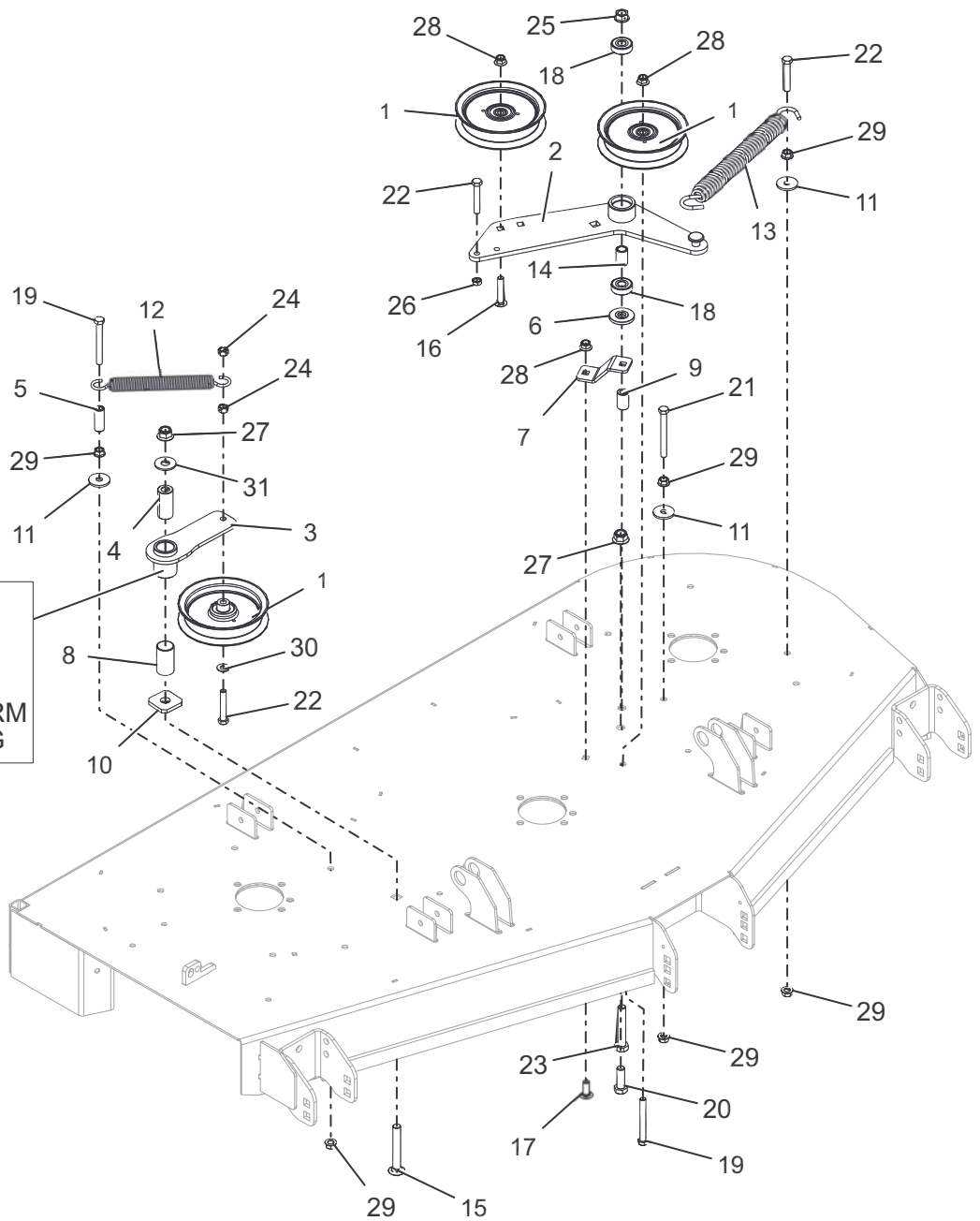
03796400  
DECK RH IDLER ARM  
SERVICE ASSEMBLY  
INCLUDES;  
(1) 03774151 - IDLER ARM  
(1) 05501234 - BUSHING

BOM ID	Number	Qty	Description
1	07345600	3	IDLER, FLAT
2	04985651	1	WLDMT, DECK PTO IDLER ARM
3	03774151	1	WMT, IDLER PIVOT ARM
4	01581700	1	BSHG, SPCR .502X.997X2.03
5	03763400	1	SPCR, .375IDX.625ODX1.66 PM
6	04714600	1	SPACER, IDLER ARM
7	04981859	1	BRKT, PTO FIXED IDLER MTG (ORANGE)
8	05501234	1	BSHG, 1.00x1.125x1.9375
9	05501308	1	BUSHING, SLV .380 X .750 X 1.190
10	06400829	1	WSHR, -FLT.640X1.75X.250
11	06442400	3	WASHER-FLAT-STL, .406 X 1.375 X .135
12	08300507	1	SPRG, EXTENSION - SWIVEL
13	08300708	1	SPRG, EXTENSION
14	09357700	1	SPACER, .510 X .750 X 1.148
15	06225000	1	BOLT, CARRIAGE 0.5-13X3.5 GR5
16	06203200	1	BLT-RHDSSQNK .38-16X2.00 G5YZ

BOM ID	Number	Qty	Description
17	06212000	1	BLT-RDHDSHSQNK.38-16X1.0 G5YZ
18	05408000	2	BRG-BALL .500X1.375X.44
19	05962900	3	BOLT, HEX 0.375-16X2.25 GR5
20	05961100	2	BOLT, HEX 0.375-16X3.25 GR5
21	05962000	1	BOLT, HEX 0.5-13X1.5 GR5
22	05959900	1	BOLT, HEX 0.5-13X3 GR5
23	05960900	1	BOLT, HEX 0.375-16X3.5 GR5
24	06529600	2	NUT-LK-CTR .38-16 YWZC
25	06530008	1	NUT-LK-CTR-FLG .50-13 YWZC
26	06535900	1	NUT, JAM .375-16 YWZC
27	06545500	3	NUT-LK-NYL-FLG .38-16 YWZC
28	06500010	2	NUT-LK-NYL-FLG .50-13 YWZC
29	06534900	6	NUT-SPNLK-FLG .375-16 YWZC
30	06436200	1	WSHR-FL-STL.406X.812X.065 YWZ
31	06442000	1	WSHR-FL-STL.563X1.38X.109YWZC

# IDLERS AND SHEAVES – 60"

Models 991151, 157, 177



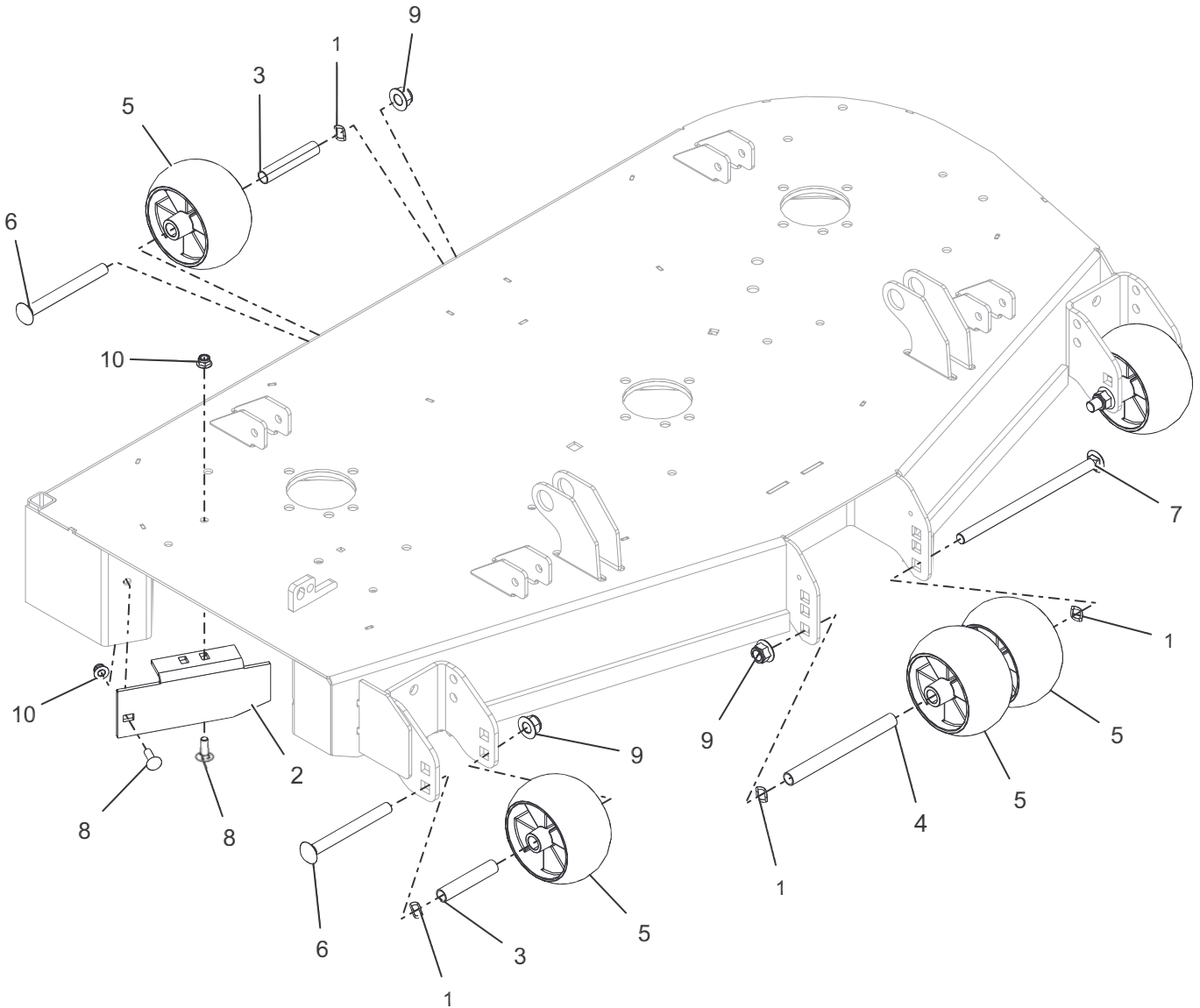
03796400  
DECK RH IDLER ARM  
SERVICE ASSEMBLY  
INCLUDES;  
(1) 03774151 - IDLER ARM  
(1) 05501234 - BUSHING

BOM ID	Number	Qty	Description
1	07345600	3	IDLER, FLAT
2	04985651	1	WLDMT, DECK PTO IDLER ARM
3	03774151	1	WMT, IDLER PIVOT ARM
4	01581700	1	BSHG, SPCR .502X.997X2.03
5	03763400	1	SPCR, .375IDX.625ODX1.66 PM
6	04714600	1	SPACER, IDLER ARM
7	04981859	1	BRKT, PTO FIXED IDLER MTG (ORANGE)
8	05501234	1	BSHG, 1.00x1.125x1.9375
9	05501308	1	BUSHING, SLV .380 X .750 X 1.190
10	06400829	1	WSHR, -FLT.640X1.75X.250
11	06442400	3	WASHER-FLAT-STL, .406 X 1.375 X .135
12	08300507	1	SPRG, EXTENSION - SWIVEL
13	08300708	1	SPRG, EXTENSION
14	09357700	1	SPACER, .510 X .750 X 1.148
15	06225000	1	BOLT, CARRIAGE 0.5-13X3.5 GR5
16	06203200	1	BLT-RHDSSQNK .38-16X2.00 G5YZ

BOM ID	Number	Qty	Description
17	06212000	1	BLT-RDHDSSHQNK.38-16X1.0 G5YZ
18	05408000	2	BRG-BALL .500X1.375X.44
19	05961100	2	BOLT, HEX 0.375-16X3.25 GR5
20	05962000	1	BOLT, HEX 0.5-13X1.5 GR5
21	05960900	1	BOLT, HEX 0.375-16X3.5 GR5
22	05962900	3	BOLT, HEX 0.375-16X2.25 GR5
23	05959900	1	BOLT, HEX 0.5-13X3 GR5
24	06529600	2	NUT-LK-CTR .38-16 YWZC
25	06530008	1	NUT-LK-CTR-FLG .50-13 YWZC
26	06535900	1	NUT, JAM .375-16 YWZC
27	06500010	2	NUT-LK-NYL-FLG .50-13 YWZC
28	06545500	3	NUT-LK-NYL-FLG .38-16 YWZC
29	06534900	6	NUT-SPNLK-FLG .375-16 YWZC
30	06436200	1	WSHR-FL-STL.406X.812X.065 YWZ
31	06442000	1	WSHR-FL-STL.563X1.38X.109YWZC

# ANTI-SCALP WHEELS AND BAFFLE – 48"

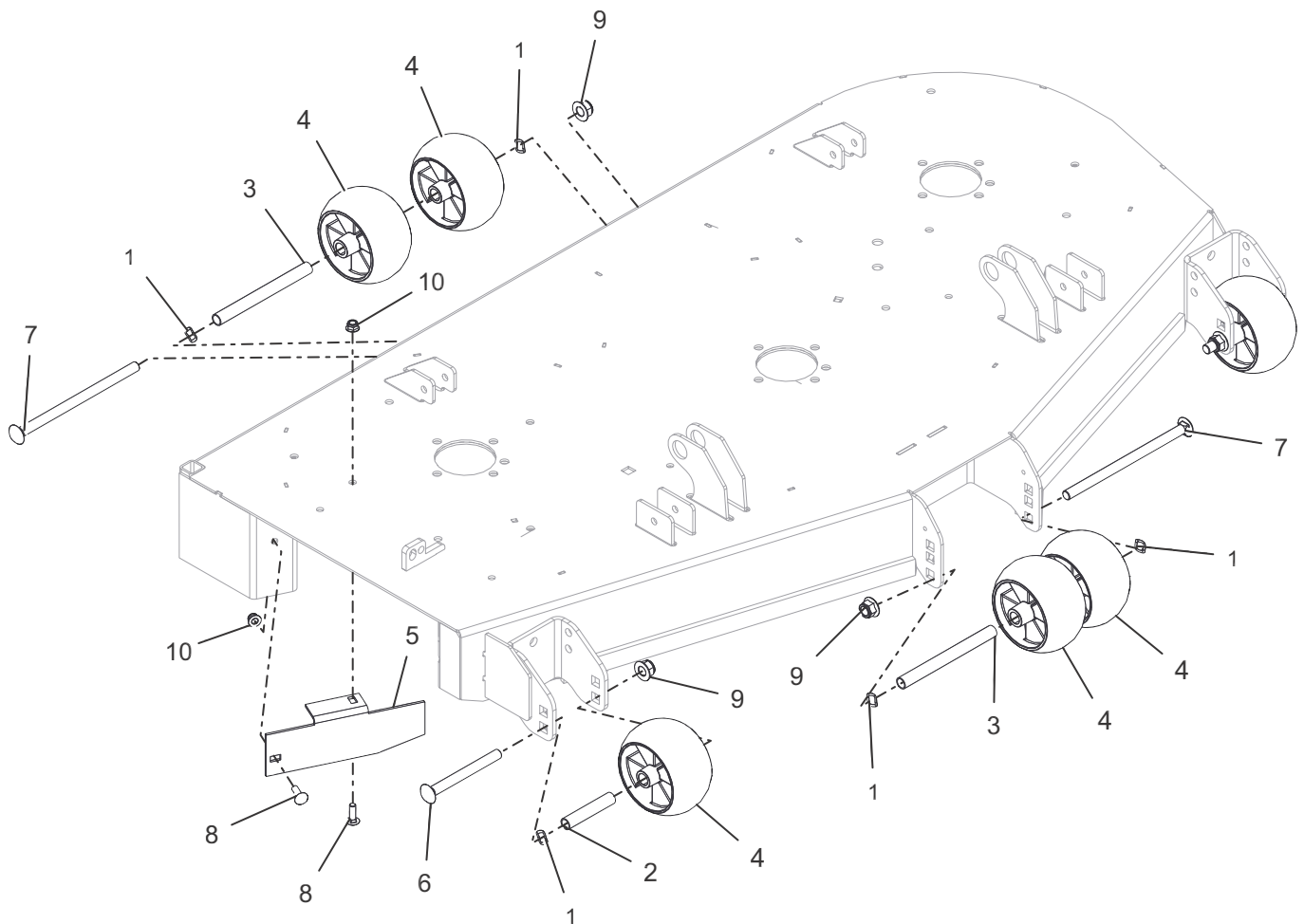
Models 991153, 173



BOM ID	Number	Qty	Description
1	00325400	5	WAVE WASHER .531X.781X.125 FH
2	00451659	1	BAFFLE, 44-48" SIDE DISCHARGE (ORANGE)
3	00473700	3	SPACER, .510X.625X3.35
4	00473800	1	SPACER, .510 X .625 X 6.50
5	03905900	5	ANTI-SCALP WHEEL
6	06225900	3	BOLT, CARRIAGE 0.5-13X5 GR5
7	06206400	1	BOLT, CARRIAGE 0.5-13X8.5 GR5
8	06216100	2	BOLT, CARRIAGE 0.3125-18X1 GR5
9	06500010	4	NUT-LK-NYL-FLG .50-13 YWZC
10	06545400	2	NUT-LK-NYL-FLG .31-18 YWZC

# ANTI-SCALP WHEELS AND BAFFLE – 52"

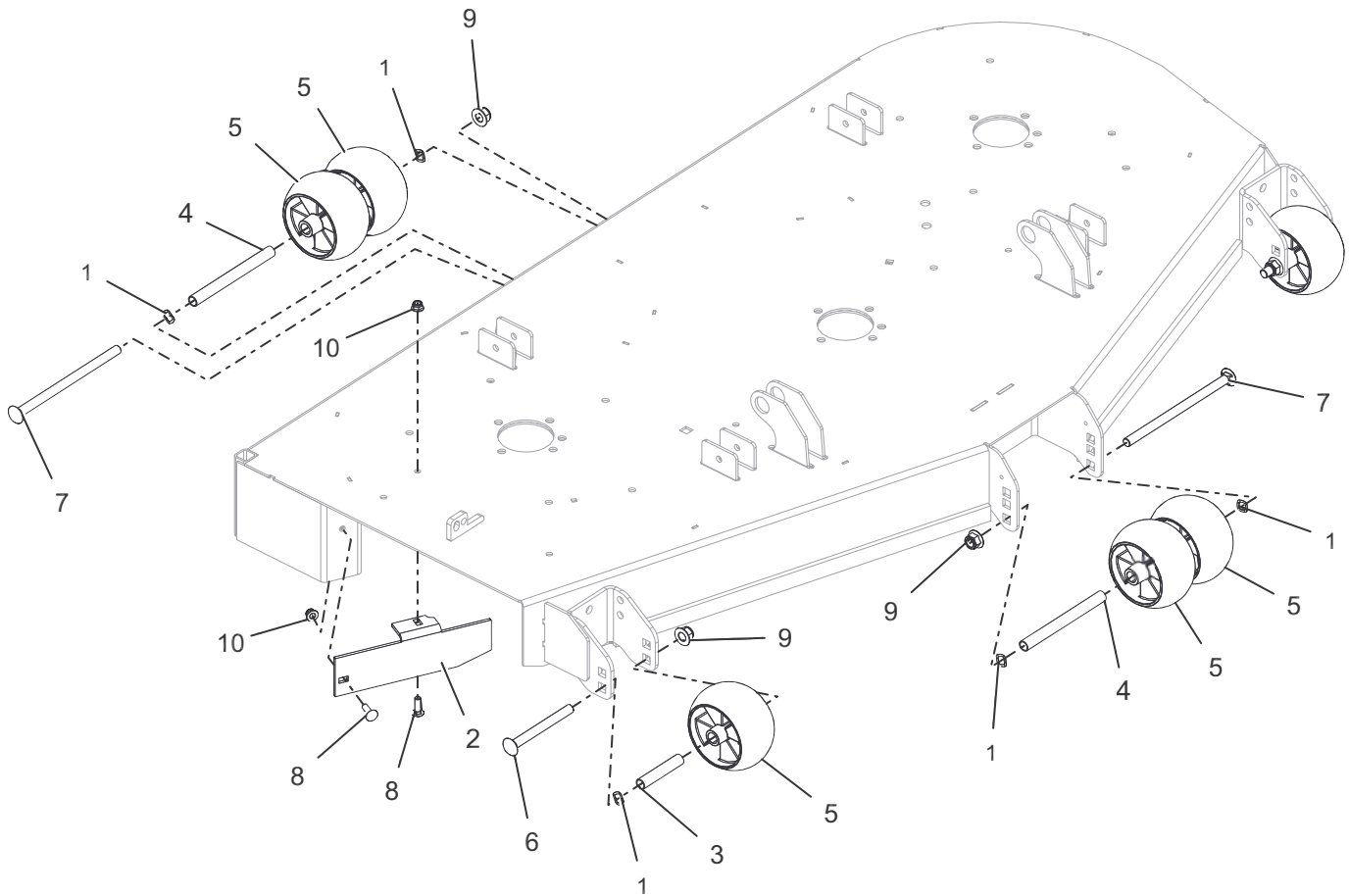
Model 991155, 175



BOM ID	Number	Qty	Description
1	00325400	6	WAVE WASHER .531X.781X.125 FH
2	00473700	2	SPACER, .510X.625X3.35
3	00473800	2	SPACER, .510 X .625 X 6.50
4	03905900	6	ANTI-SCALP WHEEL
5	04389459	1	BAFFLE, DISCHARGE 52"
6	06225900	2	BOLT, CARRIAGE 0.5-13X5 GR5
7	06206400	2	BOLT, CARRIAGE 0.5-13X8.5 GR5
8	06216100	2	BOLT, CARRIAGE 0.3125-18X1 GR5
9	06500010	4	NUT-LK-NYL-FLG .50-13 YWZC
10	06545400	2	NUT-LK-NYL-FLG .31-18 YWZC

# ANTI-SCALP WHEELS AND BAFFLE – 60"

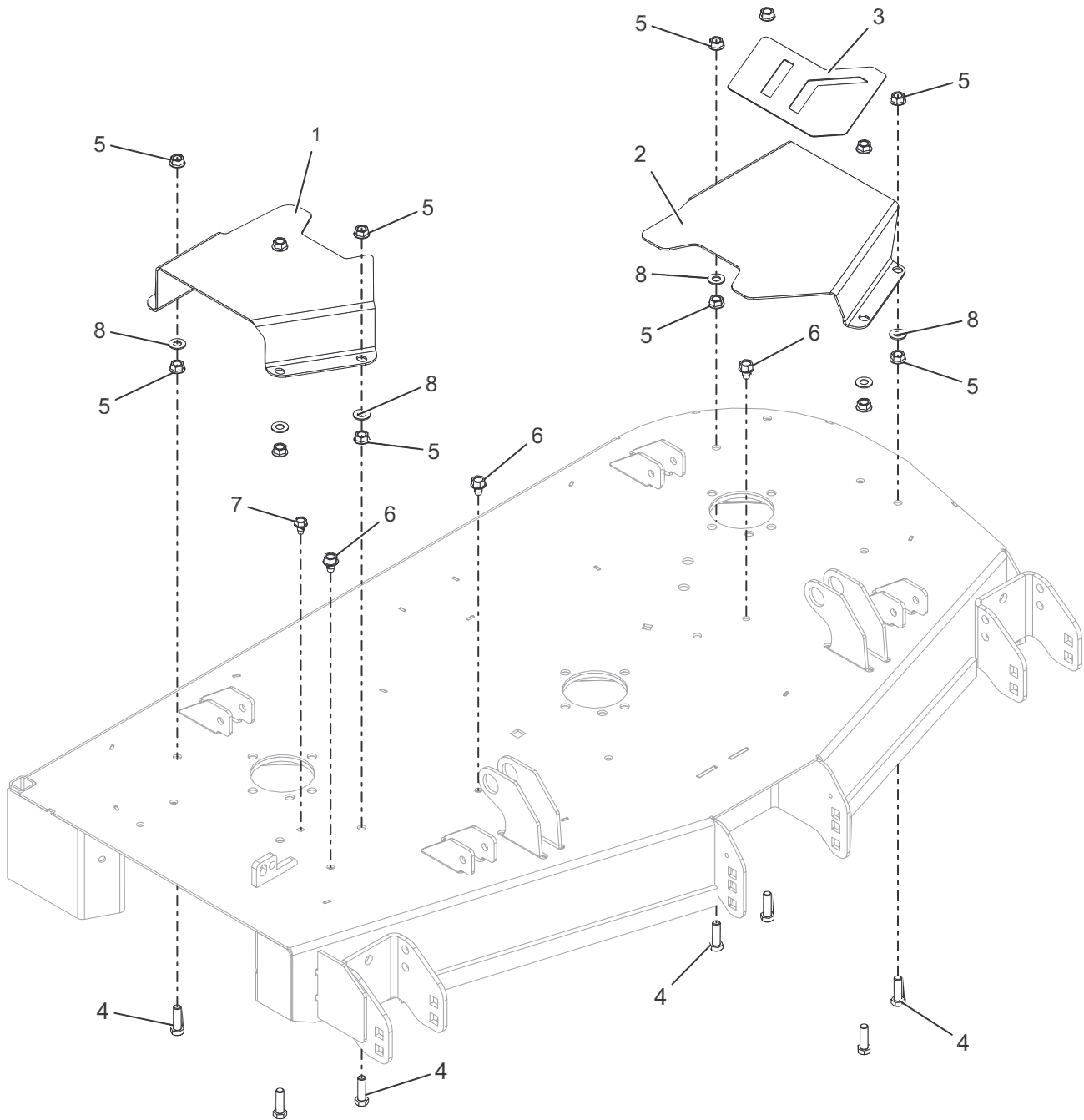
Models 991151, 157, 177



BOM ID	Number	Qty	Description
1	00325400	6	WAVE WASHER .531X.781X.125 FH
2	00374159	1	BAFFLE, 60" DISCHARGE
3	00473700	2	SPACER, .510X.625X3.35
4	00473800	2	SPACER, .510 X .625 X 6.50
5	03905900	6	ANTI-SCALP WHEEL
6	06225900	2	BOLT, CARRIAGE 0.5-13X5 GR5
7	06206400	2	BOLT, CARRIAGE 0.5-13X8.5 GR5
8	06216100	2	BOLT, CARRIAGE 0.3125-18X1 GR5
9	06500010	4	NUT-LK-NYL-FLG .50-13 YWZC
10	06545400	2	NUT-LK-NYL-FLG .31-18 YWZC

# BELT GUARDS – 48"

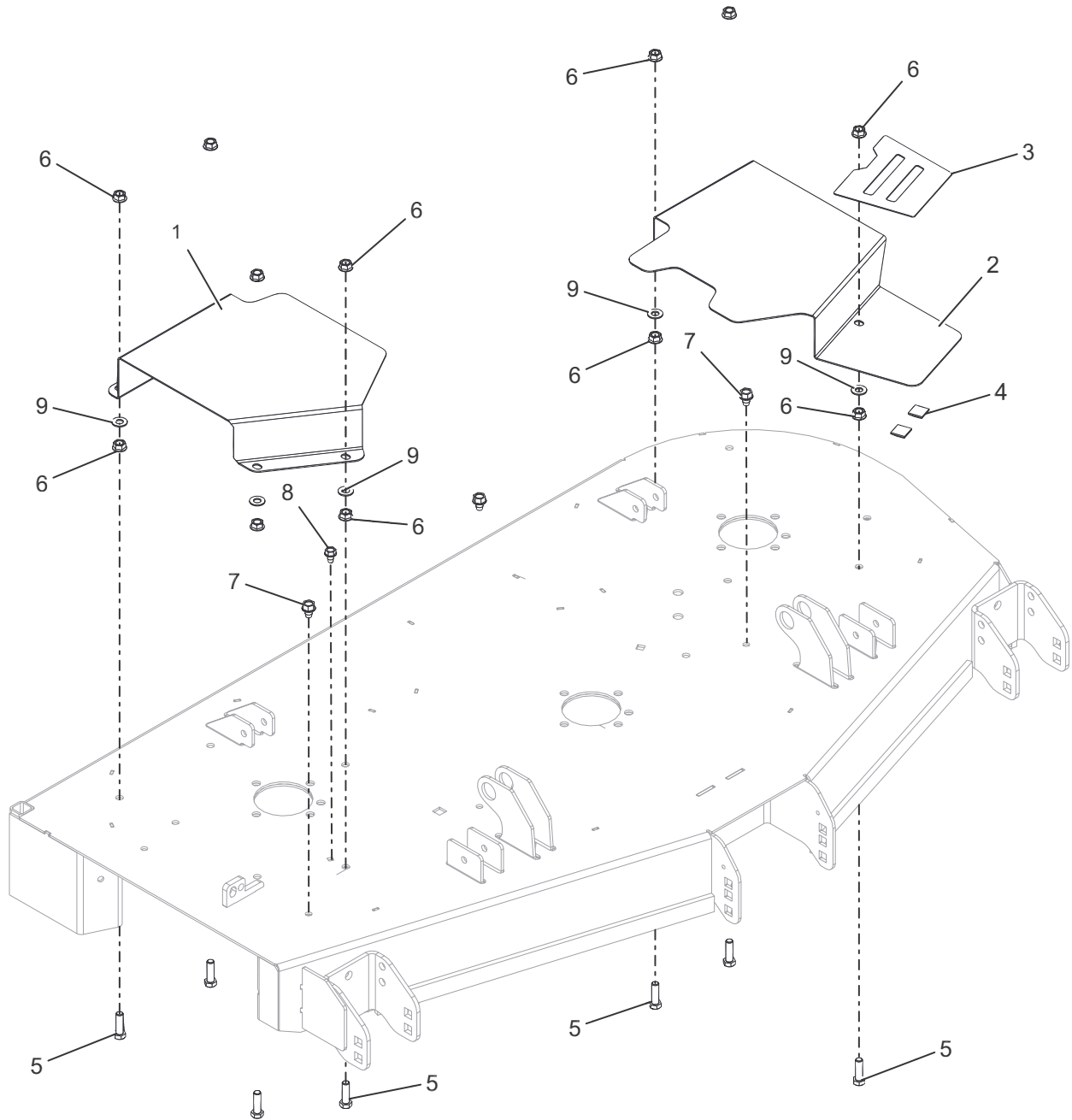
Models 991153, 173



BOM ID	Number	Qty	Description
1	05075959	1	GUARD, BELT 48" RIGHT (ORANGE)
2	05076059	1	GUARD, BELT 48" LEFT (ORANGE)
3	05160000	1	GRIP, TAPE 48 BELT COVER
4	05958000	7	BOLT, HEX 0.375-16X1.25 GR5
5	06534900	14	NUT-SPNLK-FLG .375-16 YWZC
6	07412900	3	SCR-TAP .38-16X.50 HWH TR YWZ
7	07411500	1	SCR-TAP .31-18X.50 HWH TR YWZ
8	06436200	7	WSHR-FL-STL.406X.812X.065 YWZ

# BELT GUARDS – 52"

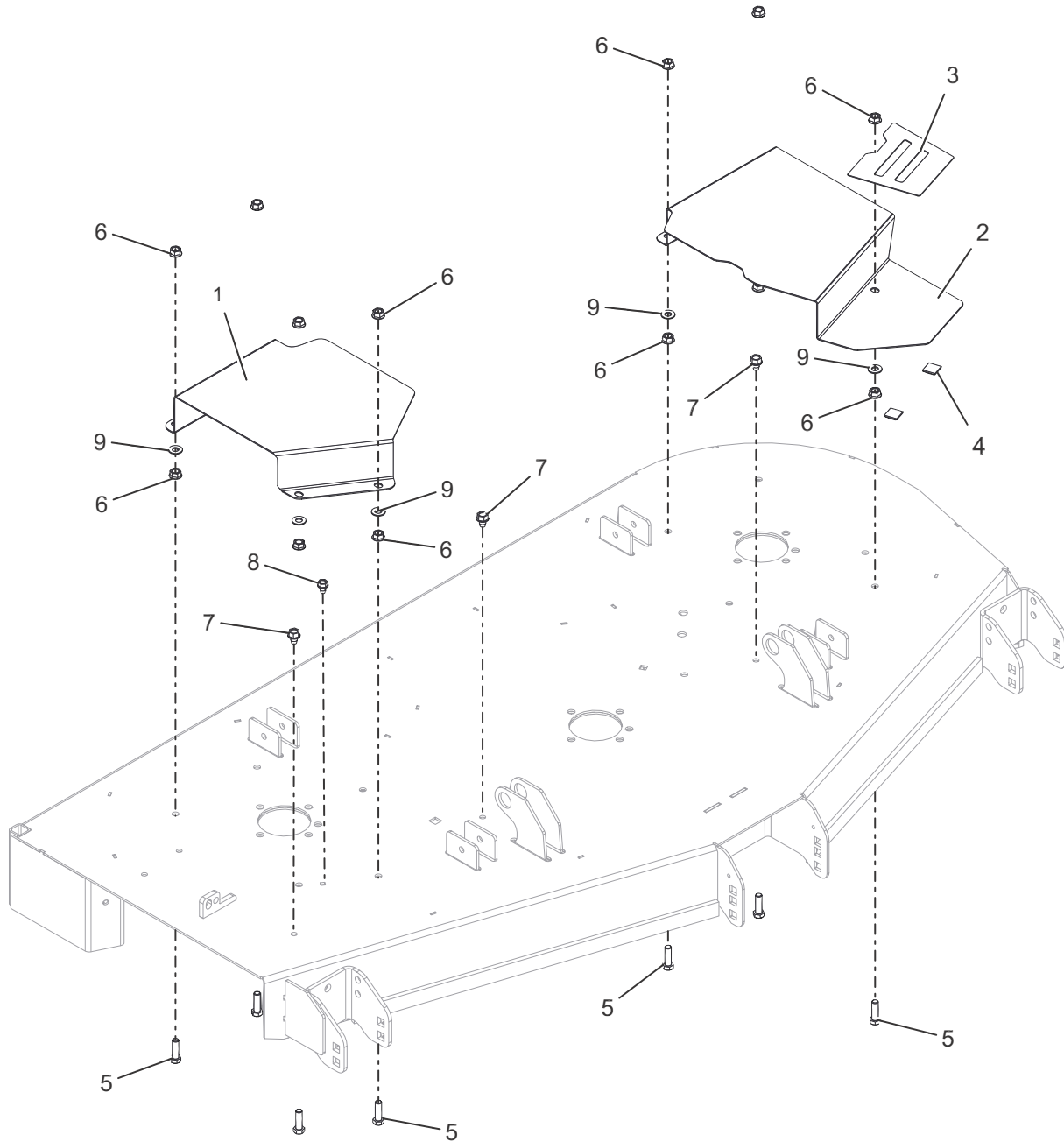
Model 991155, 175



BOM ID	Number	Qty	Description
1	05074459	1	GUARD, BELT 52" & 60" RIGHT (ORANGE)
2	05074559	1	GUARD, BELT 52" LEFT (ORANGE)
3	05160100	1	GRIP, TAPE 52-60 BELT COVER
4	07525100	2	STOP,
5	05958000	7	BOLT, HEX 0.375-16X1.25 GR5
6	06534900	14	NUT-SPNLK-FLG .375-16 YWZC
7	07412900	3	SCR-TAP .38-16X.50 HWH TR YWZ
8	07411500	1	SCR-TAP .31-18X.50 HWH TR YWZ
9	06436200	7	WSHR-FL-STL.406X.812X.065 YWZ

# BELT GUARDS – 60"

Models 991151, 157, 177

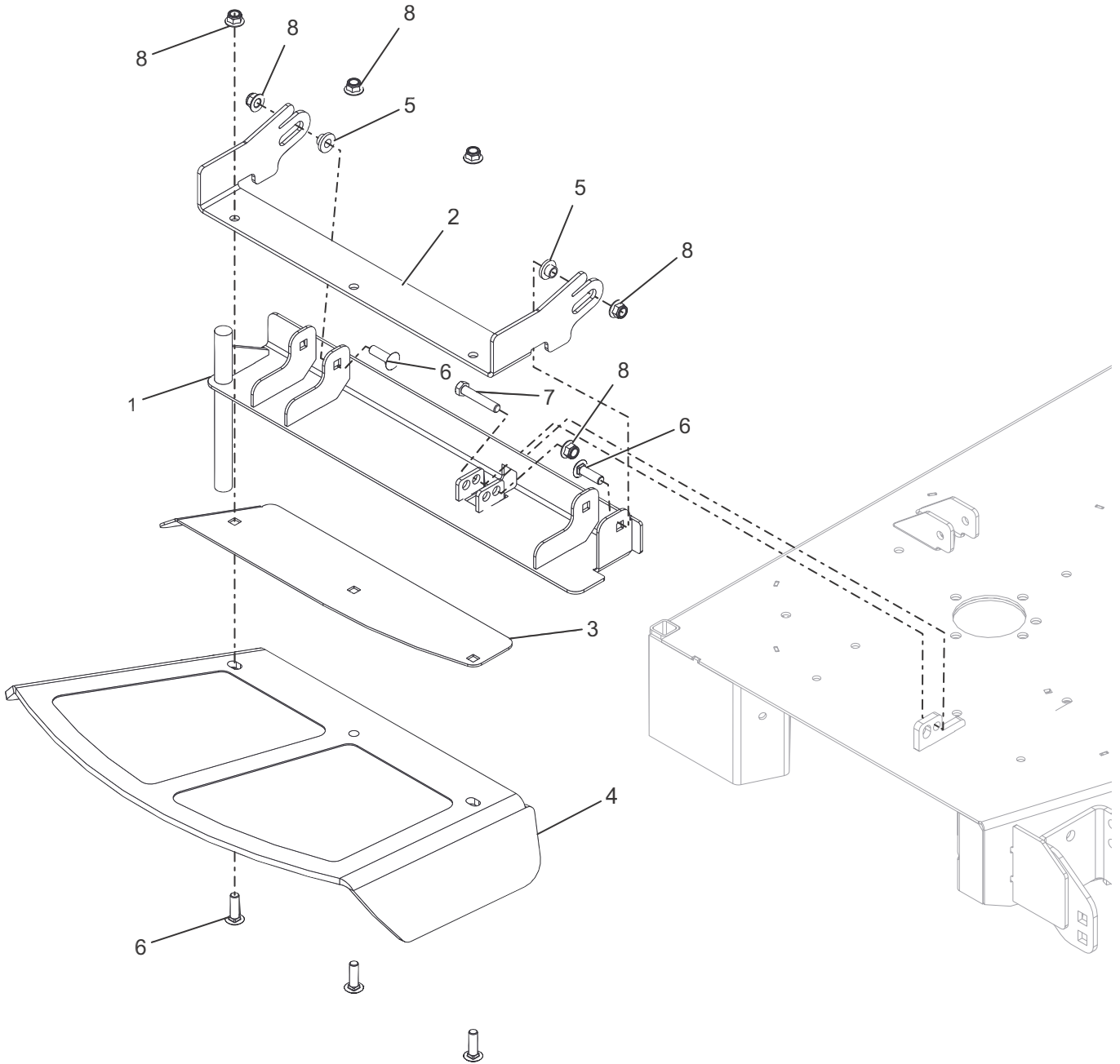


BOM ID	Number	Qty	Description
1	05074459	1	GUARD, BELT 52" & 60" RIGHT (ORANGE)
2	05086859	1	GUARD, BELT 60" LEFT (ORANGE)
3	05160100	1	GRIP, TAPE 52-60 BELT COVER
4	07525100	2	STOP,
5	05958000	7	BOLT, HEX 0.375-16X1.25 GR5
6	06534900	14	NUT-SPNLK-FLG .375-16 YWZC
7	07412900	3	SCR-TAP .38-16X.50 HWH TR YWZ
8	07411500	1	SCR-TAP .31-18X.50 HWH TR YWZ
9	06436200	7	WSHR-FL-STL.406X.812X.065 YWZ



# DISCHARGE CHUTE

Models All



BOM ID	Number	Qty	Description
1	59112100	1	WLDMT, 48-60" DISCH CHUTE MOUNT (ORANGE)
2	04872259	1	BRKT, 48-60" CHUTE MTG (ORANGE)
3	04873759	1	PLATE, 48-60" DISCH CHUTE CLAMP (ORANGE)
4	04881200	1	CHUTE, 48-60" FORMED RUBBER DISCHARGE
5	05500435	2	BSHG, FLG .385 X .500 X .875 X .406
6	06222200	5	BLT-RHDSSQNK .38-16X1.25 G5YZ
7	05963300	1	BOLT, HEX 0.375-16X2 GR5
8	06545500	6	NUT-LK-NYL-FLG .38-16 YWZC



**ARIENS**

Ariens Company  
655 West Ryan Street  
Brillion, WI 54110

[ariensstore.com](http://ariensstore.com)  
(Dealer Locator)

[ariens.custhelp.com](http://ariens.custhelp.com)  
(Customer Support)



— An *Ariens* Company Brand