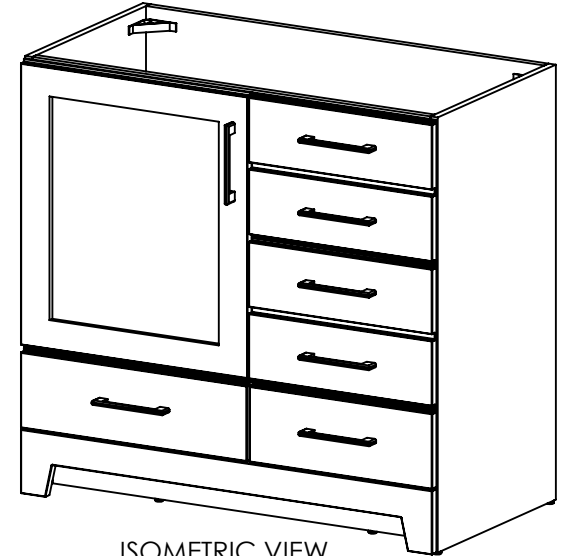
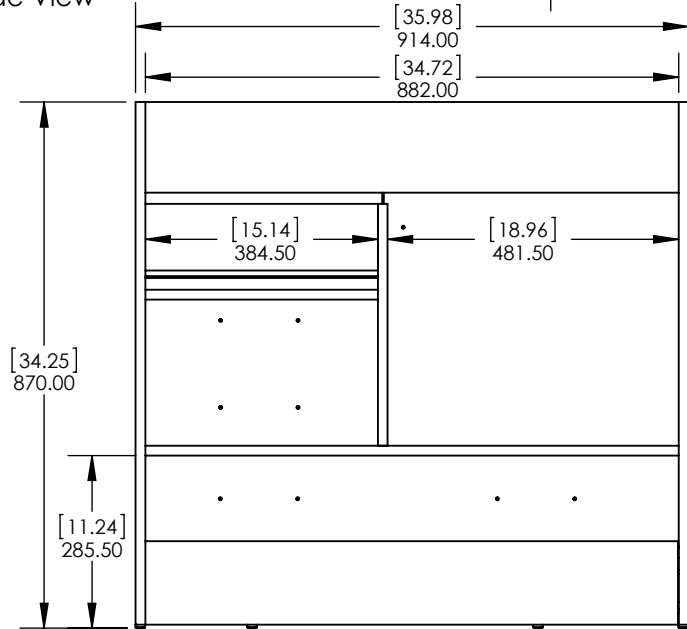
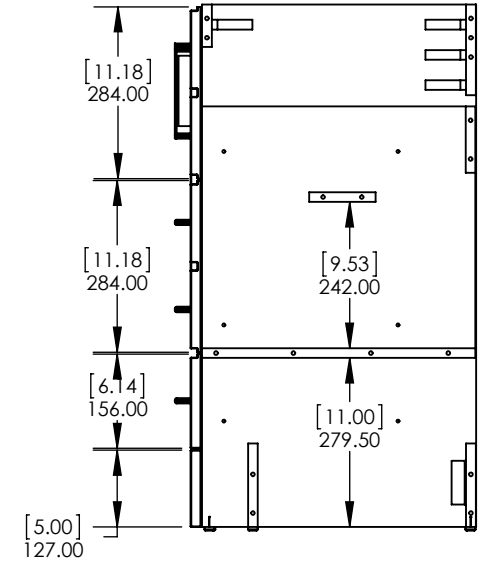
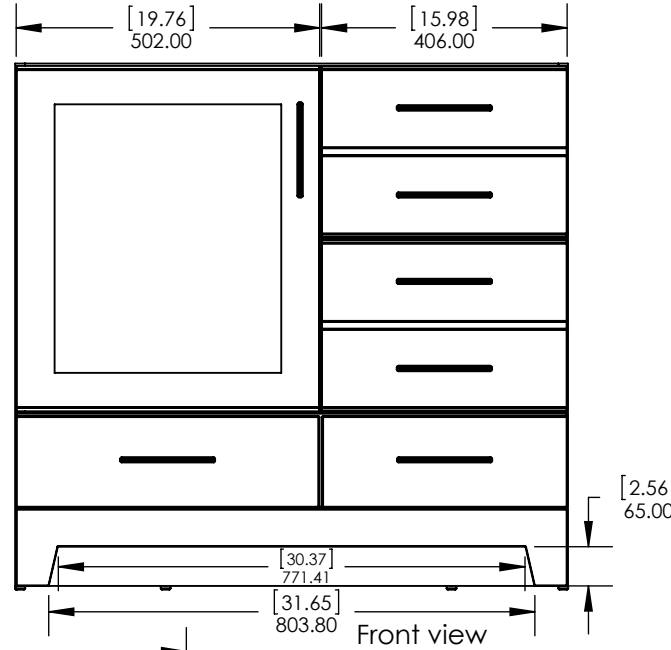
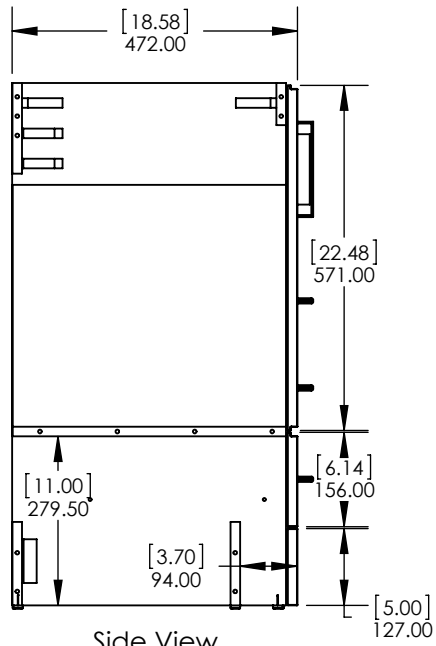


ITEM ID	DESCRIPTION
S1936P3-CT	Concept 13 xxin Vanity w/Vanity Top & Mirror - Cement

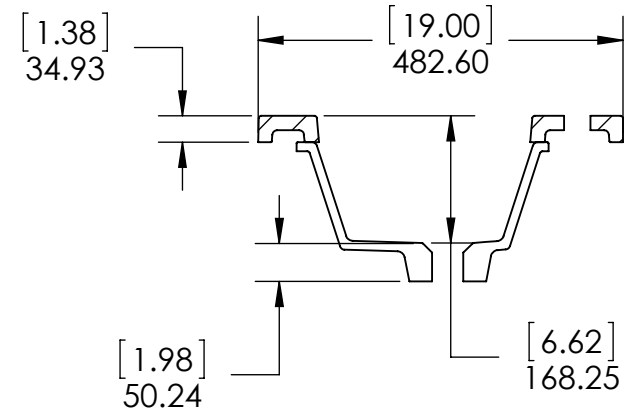
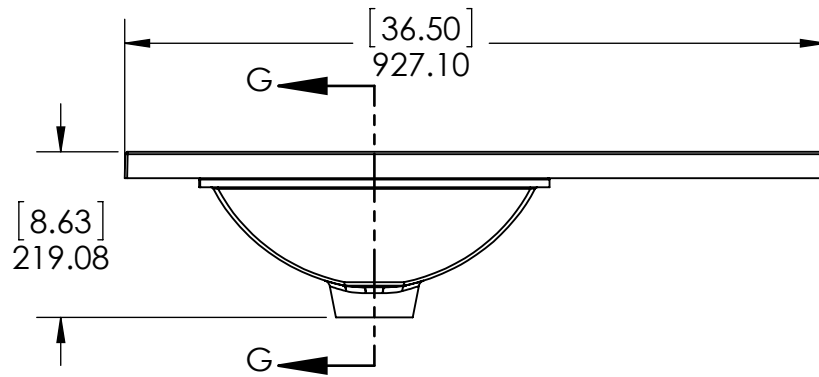
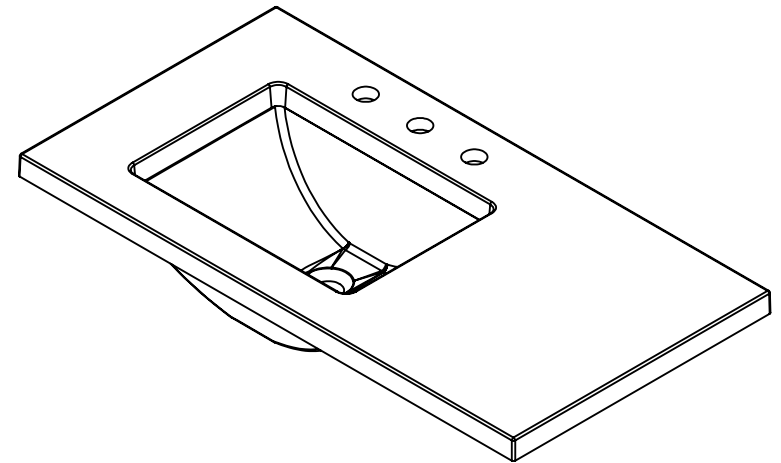
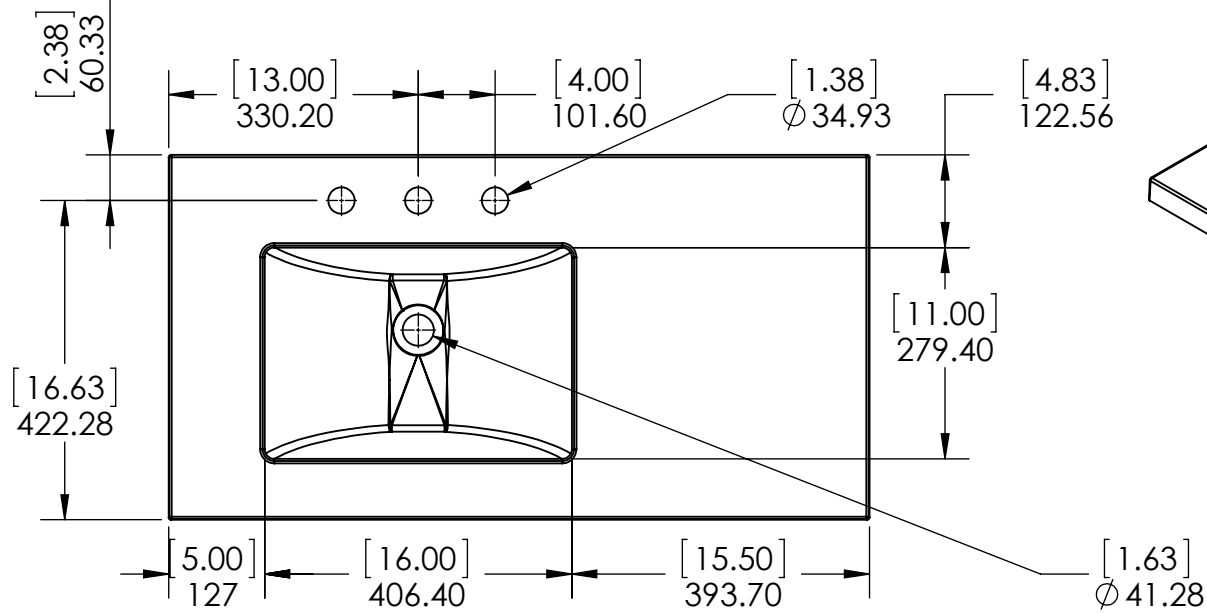
REV	ECO#	DESCRIPTION	REV'D BY DATE	CHK'D BY DATE	APRV'D BY DATE
0		RELEASE	AGS 12/17/18	AGS 12/17/18	AGS 12/17/18



PROPRIETARY AND CONFIDENTIAL THE INFORMATION CONTAINED IN THIS DRAWING IS THE SOLE PROPERTY OF WOODCRAFTERS HOME PRODUCTS L.L.C. ANY REPRODUCTION IN PART OR AS A WHOLE, WITHOUT THE WRITTEN PERMISSION OF WOODCRAFTERS HOME PRODUCTS L.L.C. IS PROHIBITED.	Tolerancia no epsecificada		Drawn By: Adolfo Gallegos	12/17/18	TITLE: S1936P3-CT PART NO: _____ PAGE 1 OF 1 REV: 0
	Lineal ±0.5mm	Angular ±0.5°	Drawn By: Adolfo Gallegos	12/17/18	
			Drawn By: Adolfo Gallegos	12/17/18	

ID	Description	Technology	Status
595619	Vtop Thick SE 36.5x19 offset left Pulsar 8in	Stone Effect	Approved for production

Rev #	Approved by	Change
0	R. Rubio	Released



PROPRIETARY AND CONFIDENTIAL
 THE INFORMATION CONTAINED IN THIS DRAWING IS THE SOLE PROPERTY OF WOODCRAFTERS. ANY REPRODUCTION IN PART OR AS A WHOLE WITHOUT THE WRITTEN PERMISSION OF WOODCRAFTERS IS PROHIBITED.

UNLESS OTHERWISE SPECIFIED
 DIMENSIONS ARE IN MM. AND (INCHES)
 TOLERANCES ARE
 +0.125 [3.175] -0.125 [-3.175]
 SCALE:1:10

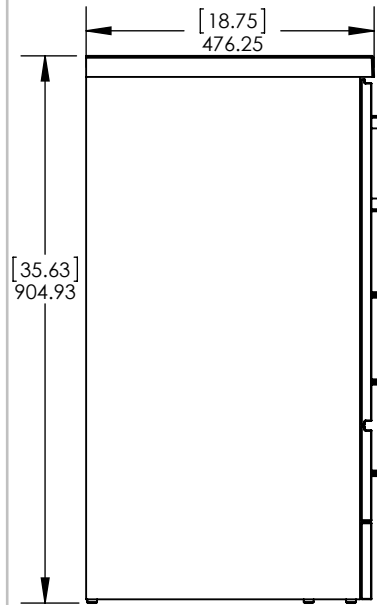
	NAME	DATE
DRAWN	R. Rubio	12/19/18
CHECKED	R. Rubio	12/19/18
ENG APPR.	R. Rubio	12/19/18
MFG APPR.	C. Leal	12/19/18

Wood Crafters

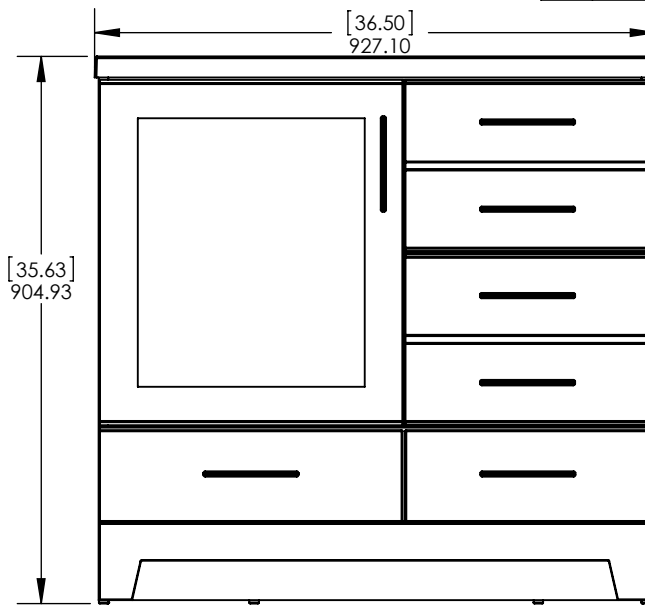
SIZE DWG. NO. SHEET 1 OF 1
 A Vtop Thick SE 36.5x19 offset left Pulsar 8in REV: 0

ITEM ID	DESCRIPTION
S1936P3-CT	Concept 13 xxin Vanity w/Vanity Top & Mirror - Cement

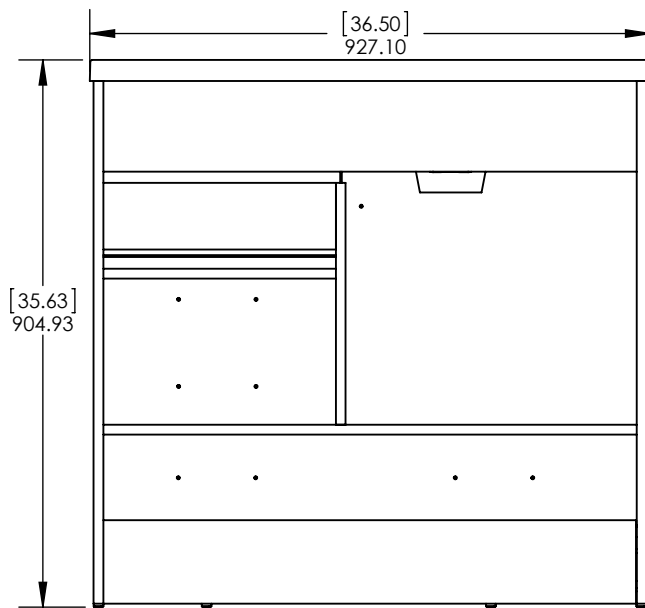
REV	ECO#	DESCRIPTION	REV'D BY DATE	CHK'D BY DATE	APRV'D BY DATE
0		RELEASE	AGS 12/17/18	AGS 12/17/18	AGS 12/17/18



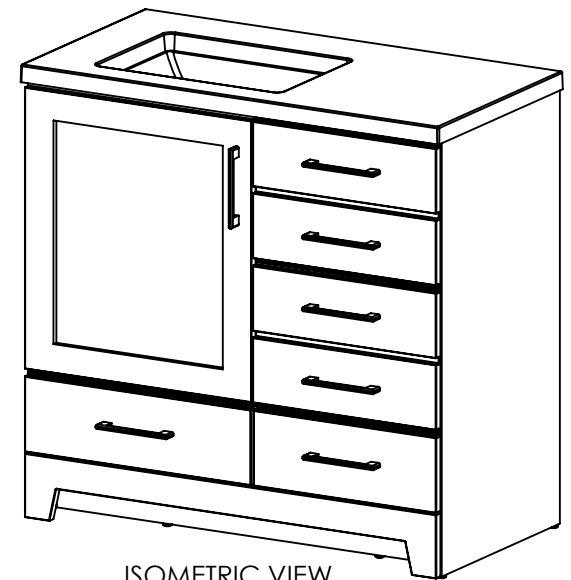
Side View



Front view



Back View



ISOMETRIC VIEW



PROPRIETARY AND CONFIDENTIAL
 THE INFORMATION CONTAINED IN THIS DRAWING IS THE SOLE PROPERTY OF WOODCRAFTERS HOME PRODUCTS L.L.C. ANY REPRODUCTION IN PART OR AS A WHOLE, WITHOUT THE WRITTEN PERMISSION OF WOODCRAFTERS HOME PRODUCTS L.L.C. IS PROHIBITED.

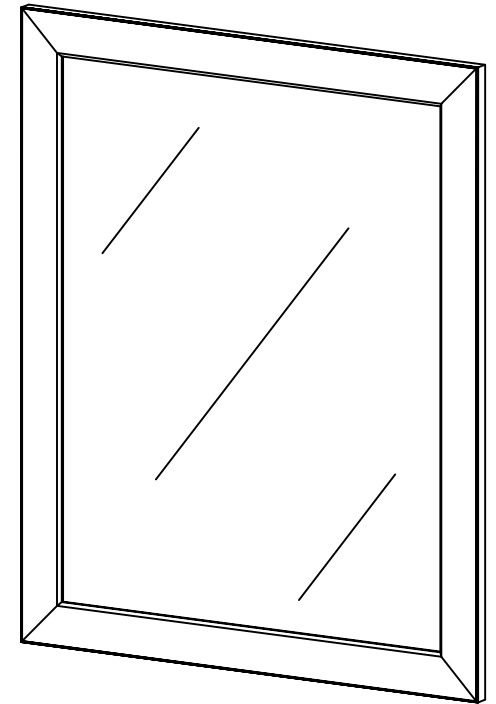
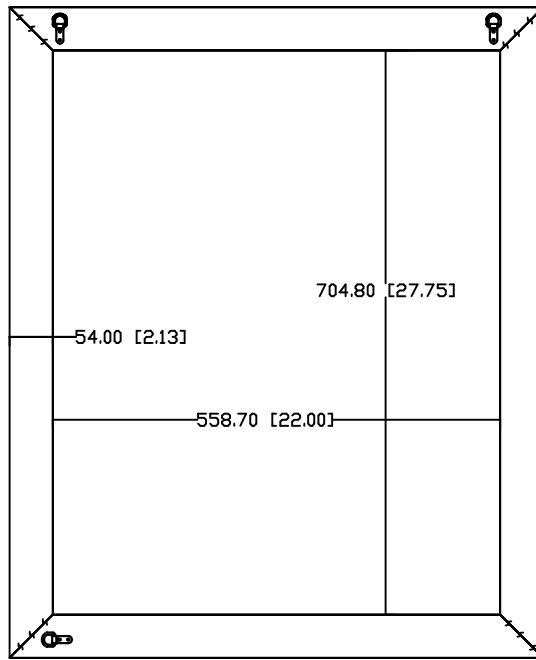
Tolerancia no epsecificada

Lineal ±0.5mm
 Angular ±0.5°

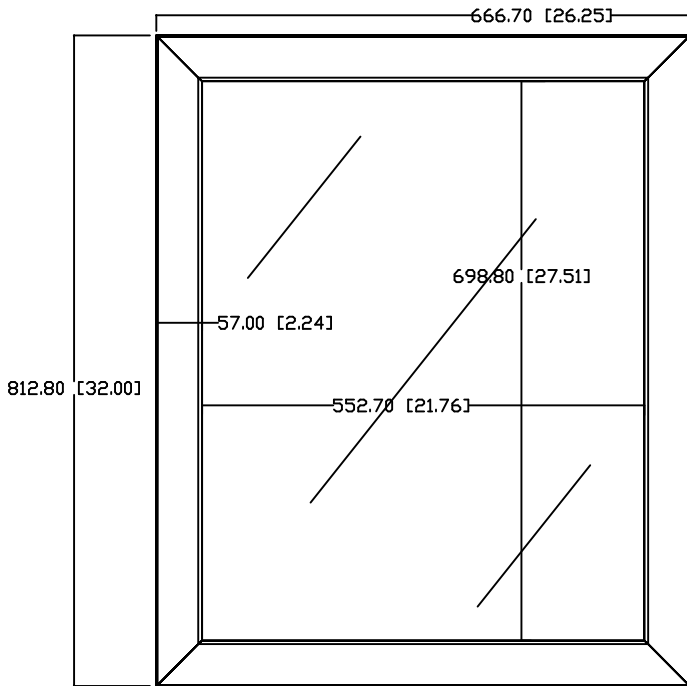
Drawn By:	Adolfo Gallegos	12/17/18
Drawn By:	Adolfo Gallegos	12/17/18
Drawn By:	Adolfo Gallegos	12/17/18

TITLE:	S1936P3-CT
PART NO:	
PAGE	1 OF 1
REV:	0

Back View

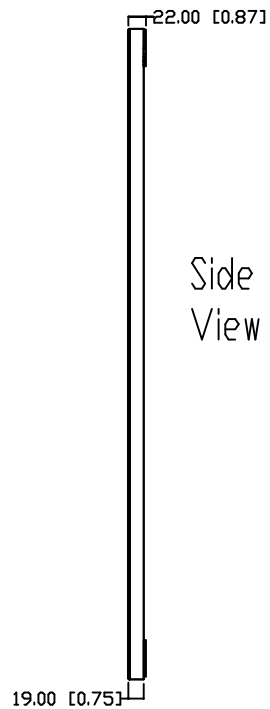


Isometric View



Front View

Side View



UNLESS OTHERWISE SPECIFIED DIMENSIONS ARE IN mm AND [inches] 1mm [.04]		Name:	Date:	TITLE: 294576 Cement Molding Wall Mirror Rev 0
Drawn:	C.R.H	12/17/18		
Checked:	J.S.	12/17/18		
Approved:	A.H.	12/17/18	Form: VH-FEN004	PAGE 1 OF 1