



Edsal Sandusky Corporation Zhongshan

-- EDSAL TECHNICAL SPECIFICATION --

TECHNICAL SPECIFICATION NUMBER:
KDKL151524

EDSAL SKU(s):
KDKL151524

PRODUCT DESCRIPTION:
24" KD COLORED LOCKER

PROGRAM NAME:
24" KD COLORED LOCKER

1.0 PRODUCT DESCRIPTION:	24" KD COLORED LOCKER
---------------------------------	-----------------------

2.0: BRAND:	Sandusky Lee
--------------------	--------------

3.0 PRODUCT IMAGE(S):	KDKL151524
------------------------------	------------

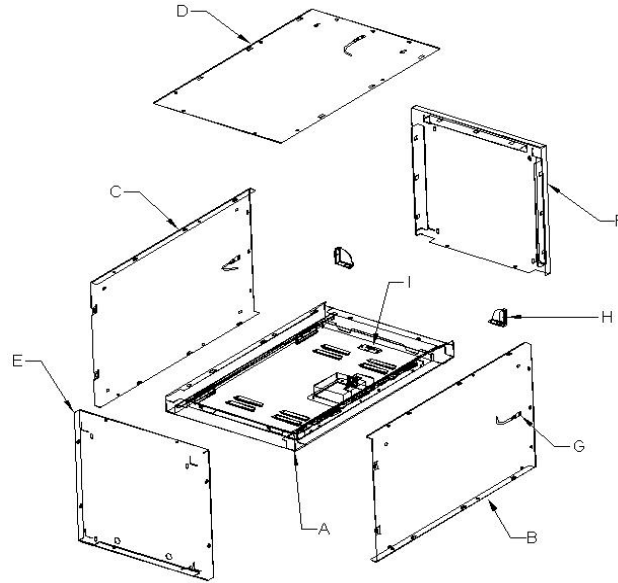
NOTE: Product photos are shown for display purposes only and may not be representative of the actual product. The product is to be manufactured according to the specific requirements listed below Sections 4.0 through 4.6 below and the included technical drawings.

4.0 PRODUCT REQUIREMENTS:

4.1 Key Product Attributes
<ul style="list-style-type: none"> ▪ 24" Locker specification (15"W x 15"D x 24"H) ▪ Secure 3-point locking mechanism. ▪ Stack load – 100 lbs.; Shelf capacity (when applicable) 45 lbs. ▪ Sturdy All Steel Construction ▪ Durable powder coat finish

4.2 Properties / Performance / Reliability	Requirement
SKU	KDKL151524
Description	24" KD Colored Locker
Type	Cabinet
Width (In.)	15"
Depth (In.)	15"
Height (In.)	24"
Color	Red, green, blue, pink, purple
Material	Steel
Includes	Door frame assembly, left side, right side, back, top assembly, bottom

4.3 Materials / Construction	Requirement
-------------------------------------	--------------------



Ref	Part #	Description	Attribute	Specification (in/mm)
				KDK151524
A		Door frame assembly	Quantity	1 PCS
			Length x Width x Height	24" *15" *1.74"
			Material	18 Gauge Steel
B		Left side Panel	Quantity	1 PCS
			Length x Width x Height	24" *13.26 ""*0.75"
			Material	23 Gauge Steel
C		Right side Panel	Quantity	1 PCS
			Length x Width x Height	24" *13.26 ""*0.75"
			Material	23 Gauge Steel
D		Back panel	Quantity	1PCS
			Length x Width	24" *15"
			Material	23 Gauge Steel
E		Bottom Panel	Quantity	1PCS
			Length x Width x Height	15.07" *13.87" * 0.88
			Material	23 Gauge Steel
F		Top assembly	Quantity	1PCS
			Length x Width x Height	15.07" * 13.87" *0.98"
			Material	20 Gauge Steel
G		Hooks	Quantity	3PCS
H		Corner protector	Quantity	1set
I		Number plate	Quantity	1PCS
★		Screws	Quantity	24PCS
★		Nuts	Quantity	24PCS

4.4 Finish / Color	Requirement
All Surface Finishes	a) Surface finishes must be uniform and continuous. The surface finish must not exhibit any visual defects such as blisters, rust, corrosion, scratches, peeling, bubbles, and/or cracking b) All exposed surfaces must be free of burrs and sharp edges c) All applied finishes must adhere to the surface and show no signs of delamination or peeling d) All painted or coated surface finishes must be lead-free
Color	Red(RD06),Green(GR01),Blue(Bu06),Pink(PK00),Purple(PE00)
Finish	powder-coated

4.5 Labels or Printing Applied to Product	Requirement
Appearance of all Labels and/or Printing	All labels must be applied straight and even without any air-bubbles or creases. The labels must adhere uniformly to the surface. Any surface printing must be permanent and legible without pinholes, smearing, or other such defects that would render the print unreadable

4.6 Product Packaging	Requirement
<p>Product Packaging (including Master Pack, Inner Pack, and Sell Pack): Ship Test Integrity & Durability</p>	<ul style="list-style-type: none"> a) All products must be securely packaged in such a manner as to pass the drop test or other Engineering defined tests as outlined in this specification. These tests simulate repeated product handling and shipping by sea, air, rail and truck. b) The product must be packaged and protected as necessary to prevent any shipping damage that may be incurred by abrasion, corrosion, humidity, vibration and/or shock. c) Upon receipt at custom, all packaging must be intact and all product components must remain functional and attached to the product as when the unit was originally built. There shall be no evidence of breakage, scratches, burnishing, rust, corrosion and/or dents.