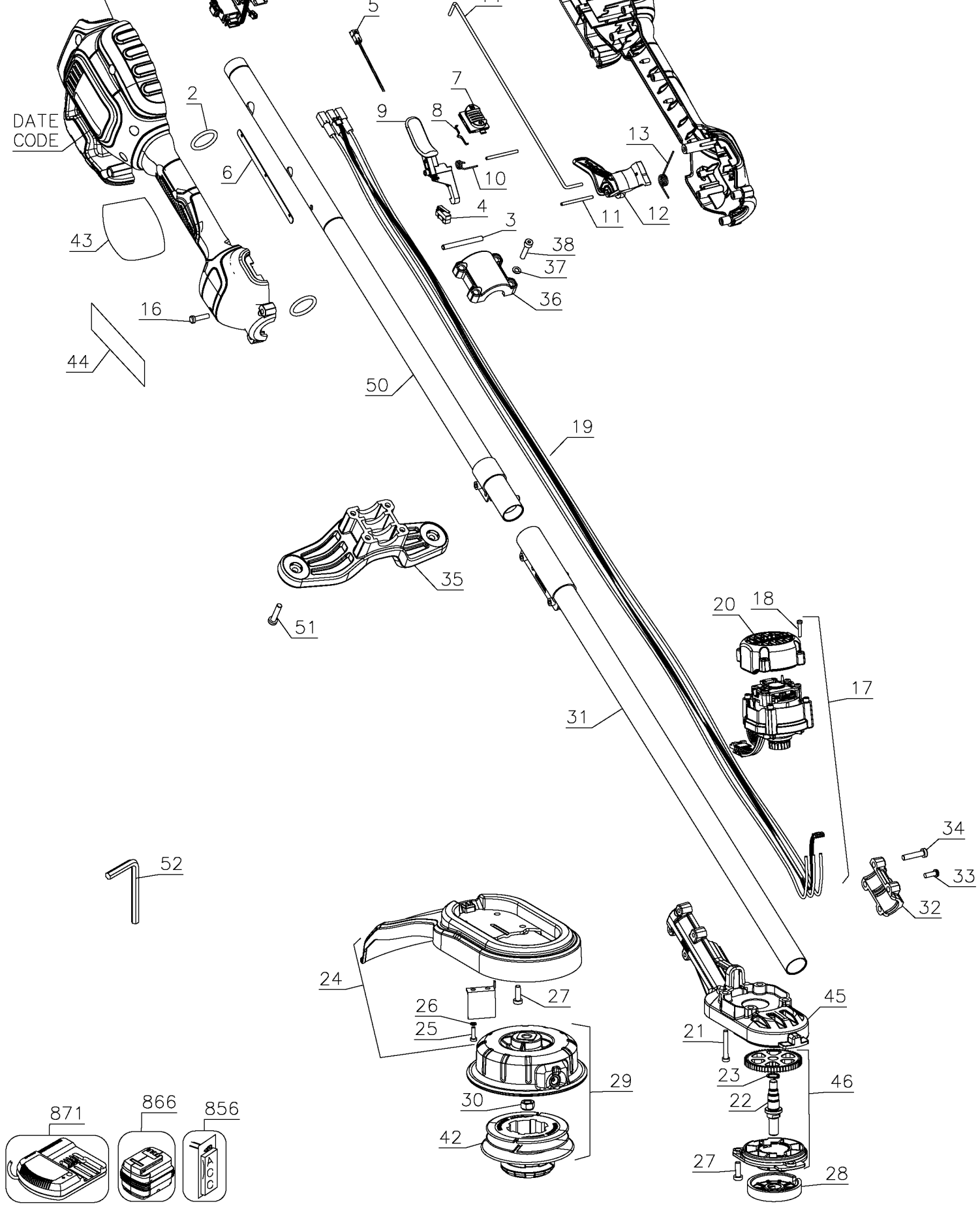


DATE
CODE



Parts List for DCST920B Type 3

Item Number	Part Number	Description	Qty Required
1	90613418	HANDLE ASSEMBLY	1
2	90602632	O-RING	2
3	90608944	DOWEL PIN	1
4	90600458	MOMENTARY SWITCH	1
5	90608663-01	WIRE HARNESS	1
6	90609633	WIRE COVER	1
7	90602320	ACTUATOR	1
8	N014681	DETENT SPRING	1
9	90601034	LOCK OFF BUTTON	1
10	90602633	LOCK OFF SPRING	1
11	90608942	PIVOT PIN	2
12	90599030	ACTUATOR,LEVER	1
13	90602634	ACTUATOR SPRING	1
14	90614754	LINKAGE	1
15	90635511	CONTROL MODULE ASSY	1
16	330019-13	SCREW,PLASTITE	13
17	90638422	MOTOR & PINION ASSY	1
18	N377990	SCREW	4
19	90639569	WIRE HARNESS	1
20	90614000	MOTOR END CAP	1
21	330019-15	SCREW,PLASTITE	4
22	90601861	SPINDLE	1
23	N027674	RETAINING RING	1
24	N496261	GUARD	1
24	90613629	GUARD ASSEMBLY	1
25	330019-02	SCREW,PLASTITE	2
26	098197-03	LOCK WASHER	2

COPYRIGHT© 2005. All Rights Reserved.

Parts list, pricing, and availability subject to change. Please visit www.dewaltservicenet.com for current parts information.

Parts List for DCST920B Type 3

Item Number	Part Number	Description	Qty Required
27	330019-37	SCREW	7
28	90638856	SPINDLE LOCK PLATE	1
29	90599025	REPLACEMENT SPOOL	1
30	370023	NUT	1
31	90625928	POLE ASSEMBLY	1
32	90615950	CLAMP	1
33	330019-11	SCREW	1
34	330019-20	SCREW	6
35	90603784	HANDLE MOUNT	1
36	90608998	HANDLE CLAMP	1
37	488807-00	FLAT WASHER	4
38	608176-00	SCREW	4
39	90603783	AUX HANDLE	1
42	90601087	SPOOL	1
43	90639675	RATING LABEL	1
44	90617534	ID LABEL	1
45	90613424SV	GEARCASE ASSY	1
46	90615764SV	GEARCASE COVER ASSY.	1
50	90626133	POLE ASSEMBLY	1
51	90629201	SCREW	2
52	90628309	WRENCH,HEX	1
856	DWO1DT802	TRIMMER LINE	1
856	DWO1DT801	TRIMMER LINE	1
866	DCB205	BATTERY PACK	1
871	DCB115	CHARGER	1

COPYRIGHT© 2005. All Rights Reserved.

Parts list, pricing, and availability subject to change. Please visit www.dewaltservicenetwork.com for current parts information.