

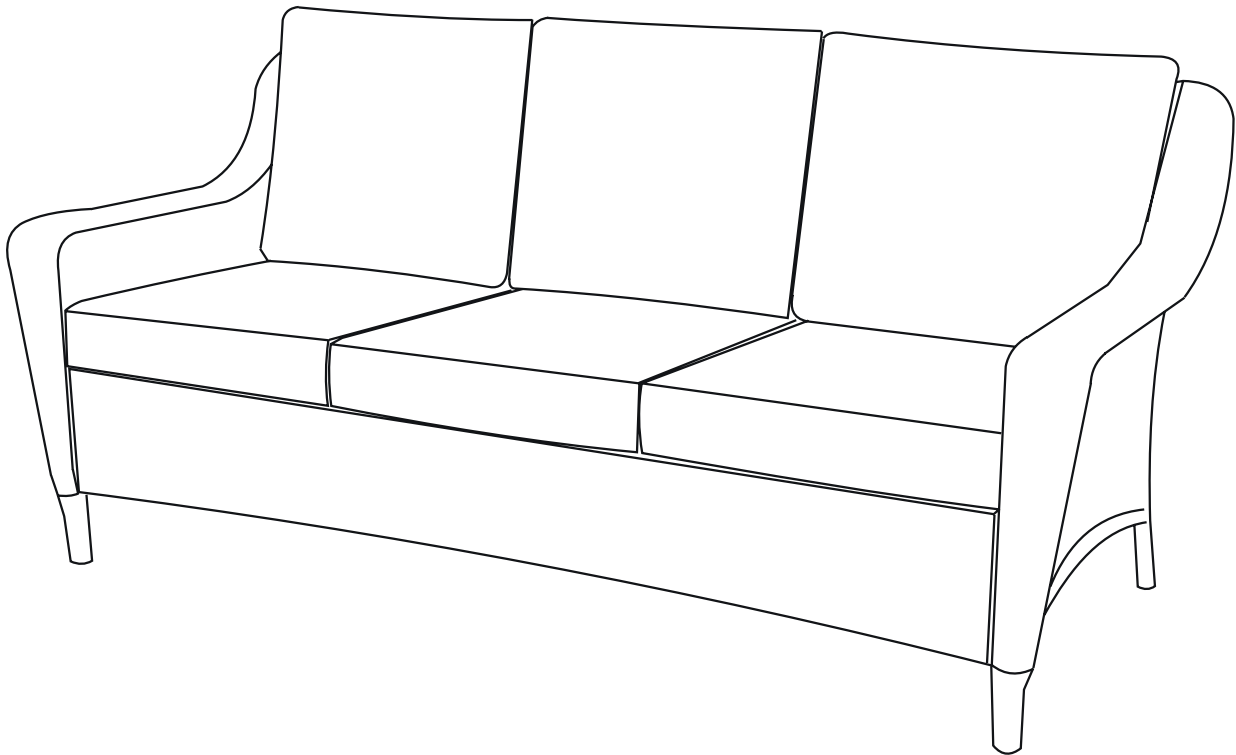


Item #  
Model #

# USE AND CARE GUIDE

---

## SPRING HAVEN PATIO SOFA WITH CUSHION



Questions, problems, missing parts? Before returning to the store,  
call Hampton Bay Customer Service  
8 a.m. - 6 p.m., EST, Monday-Friday

**1-855-HD-HAMPTON**

**HAMPTONBAY.COM**

---

### **THANK YOU**

*We appreciate the trust and confidence you have placed in Hampton Bay through the purchase of this sofa. We strive to continually create quality products designed to enhance your home. Visit us online to see our full line of products available for your home improvement needs. Thank you for choosing Hampton Bay!*

# Table of Contents

<b>Table of Contents</b> .....	<b>2</b>	<b>Pre-Assembly</b> .....	<b>3</b>
<b>Safety Information</b> .....	<b>2</b>	Planning Assembly.....	3
Set Up Your Furniture Properly.....	2	Hardware Included.....	3
Examine Your Furniture.....	2	Package Contents.....	4
Observe Weight Limits.....	2	<b>Assembly</b> .....	<b>5</b>
<b>Warranty</b> .....	<b>2</b>	<b>Care and Cleaning</b> .....	<b>6</b>
What is Covered.....	2		
What is Not Covered.....	2		

# Safety Information

## SET UP YOUR FURNITURE PROPERLY

- Ensure that all parts are assembled properly and fully tightened as per the instructions.
- When placing in the desired location, ensure that all legs are resting on the same surface.

## EXAMINE YOUR FURNITURE

- Examine occasionally to ensure that there are no loose parts. If loose parts are found, they must be re-tightened fully before additional use.

## OBSERVE WEIGHT LIMITS

The weight limits for the following products are listed below:

- |                         |                          |
|-------------------------|--------------------------|
| □ Chair: 300 lbs        | □ Sofa: 700 lbs          |
| □ Swivel Chair: 300 lbs | □ Rocking Chair: 300 lbs |
| □ Loveseat: 500 lbs     | □ Chaise Lounge: 300 lbs |
| □ Ottoman: 150 lbs      | □ Dining Table: 100 lbs  |
| □ Table: 50 lbs         | □ Dining Chair: 200 lbs  |



**CAUTION:** If you overload your furniture, injuries can occur.

# Warranty

## TWO YEAR FRAME, WEAVE AND FABRIC LIMITED WARRANTY

### WHAT IS COVERED

We warrant the frame, weave and fabric to be free of manufacturing defects to the original purchaser for two years. For glass table top we warrant 30 days from the date of purchase.

### WHAT IS NOT COVERED

This warranty does not cover commercial use, hardware, acts of nature, fire, freezing and abusive use. In addition, purchased parts are not covered under this warranty.

We reserve the right to make substitutions with similar merchandise, if the model in question is no longer in production.

Contact the Customer Service Team at 1-855-HD-HAMPTON or visit [www.Hamptonbay.com](http://www.Hamptonbay.com).

# Pre-Assembly

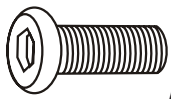
## PLANNING ASSEMBLY

To prevent damage, place all parts on a soft surface during assembly. Remove all protective caps before beginning assembly.



**NOTE:** More than one person may be required to complete the assembly of this product.

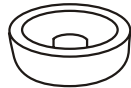
## HARDWARE INCLUDED



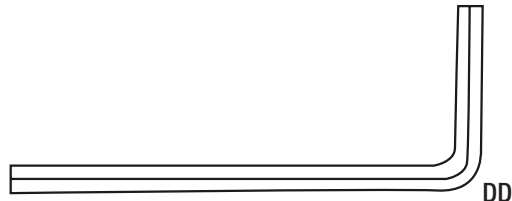
AA



BB



CC

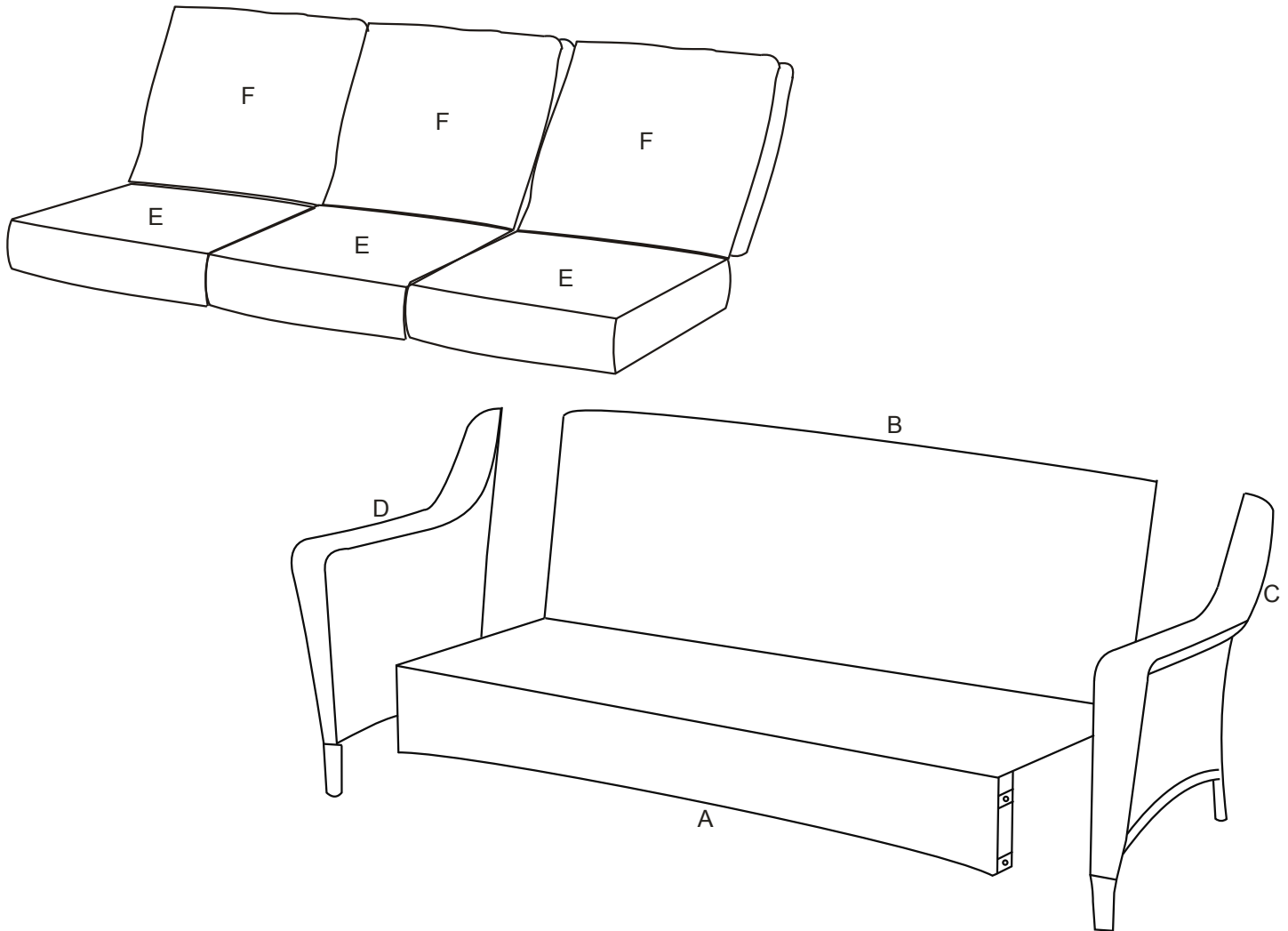


DD

Part	Description	Quantity
AA	Bolt $\phi$ 8x20 mm	11
BB	Washer $\phi$ 8 mm	11
CC	Cap for bolt	11
DD	Hex wrench 5 mm	1

## Pre-Assembly (continued)

### PACKAGE CONTENTS

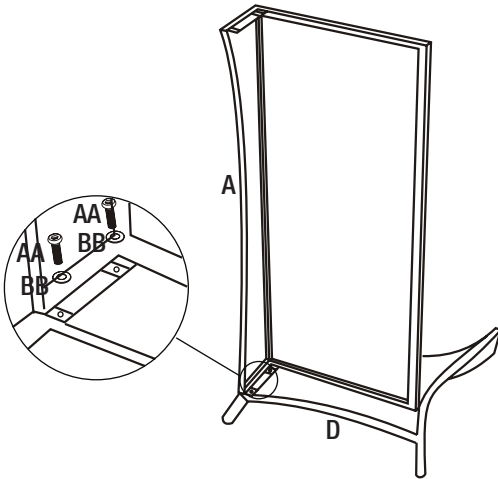


Part	Description	Quantity
A	Seat	1
B	Back	1
C	Left arm	1
D	Right arm	1
E	Seat cushion	3
F	Back cushion	3

# Assembly

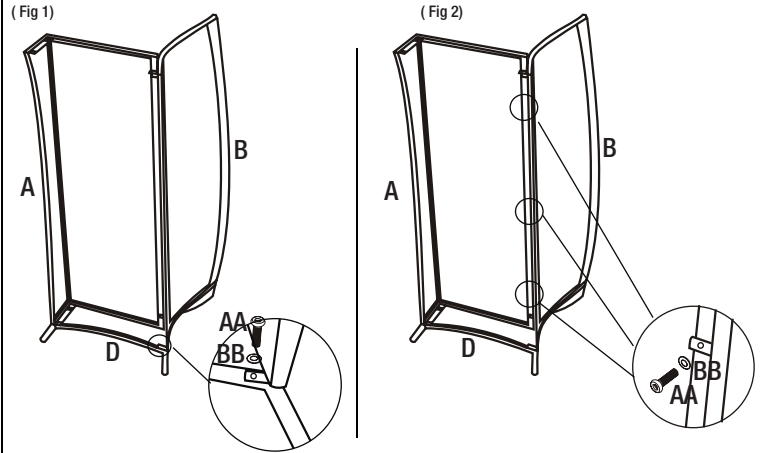
## 1 Attaching the right arm to the seat

- Place the right arm (D) on a soft surface.
- Attach the seat (A) to the right arm (D) by aligning holes on the seat (A) with the holes on the right arm (D) and inserting bolts (AA) with washers (BB). Tighten half way using the Hex wrench (DD). Do not tighten completely.



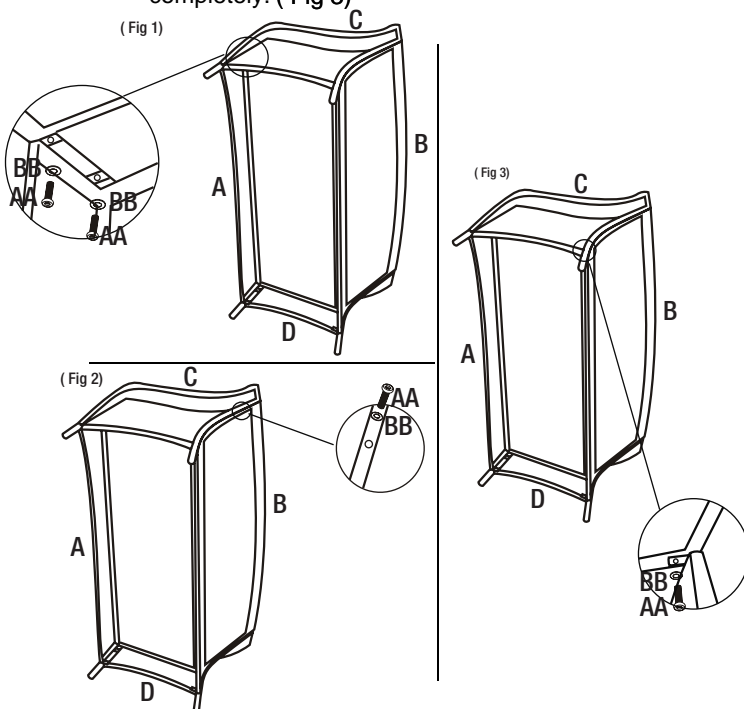
## 2 Attaching the back

- Attach the back (B) to the right arm (D) by aligning the hole on the back (B) with the hole on the right arm (D). Insert a bolt (AA) with washer (BB) and tighten half way using the Hex wrench (DD). Do not tighten completely. ( Fig 1)
- Attach the back (B) to the seat (A) by aligning three holes on the back (B) with the three holes on the seat (A). Insert bolts (AA) with washers (BB) and tighten half way using the Hex wrench (DD). Do not tighten completely. ( Fig 2)



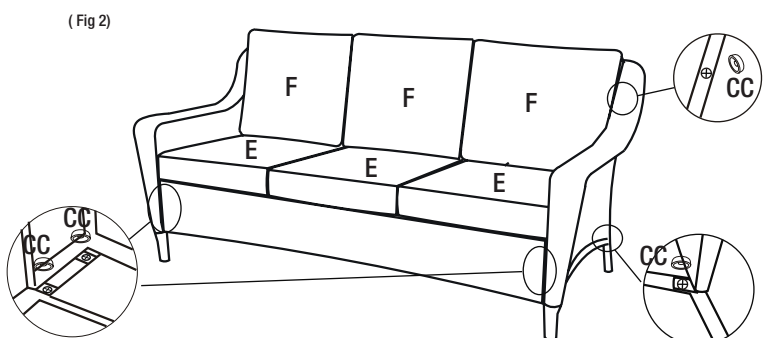
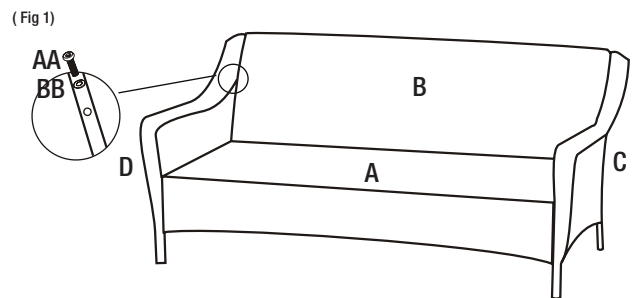
## 3 Attaching the left arm

- Attach the left arm (C) by aligning two holes on the left arm (C) with the two holes on the seat (A) and inserting bolts (AA) with washers (BB). Tighten half way using the Hex wrench (DD). Do not tighten completely. ( Fig 1)
- Insert the peg on the back (B) into the hole on the left arm (C). Fasten with a bolt (AA) and washer (BB) and hand tighten. Do not tighten completely. ( Fig 2)
- Align the hole on the back (B) with the hole on the left arm (C) and attach using a bolt (AA) with washer (BB). Tighten half way using the Hex wrench (DD). Do not tighten completely. ( Fig 3)



## 4 Adding the caps

- Place the sofa right side up.
- Insert the peg on the back (B) into the hole on the right arm (D). Fasten with a bolt (AA) and washer (BB) and hand tighten. ( Fig 1)
- Check and make adjustments as needed.
- Fully tighten all the bolts (AA) with the Hex wrench (DD) and cover with the bolt caps (CC). ( Fig 2)
- Adjust leg levelers as required.
- Place the seat cushions (E) and back cushions (F) on the sofa. This sofa is now ready for your enjoyment.



## Care and Cleaning

---

- Before using, wipe with a clean, dry cloth. Do not use bleach or solvents. When not in use, store furniture in a cool, dry place.
- If your set includes cushions or mesh fabric, they may be cleaned by hand with a mild solution of soap and water. Rinse cushion thoroughly and allow to drip dry. Do not machine wash or tumble dry, as cushions may shrink.
- Do not use bleach or solvents on fabrics. When cleaning the table top make sure to use a soft, clean cloth that does not bleed color as well.



Questions, problems, missing parts? Before returning to the store,  
call Home Depot Customer Service  
8 a.m. - 6 p.m., EST, Monday-Friday

**1-855-HD-HAMPTON**

**HAMPTONBAY.COM**

Retain this manual for future use.