



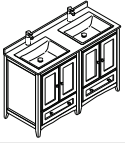
FVN20-2424

OXFORD

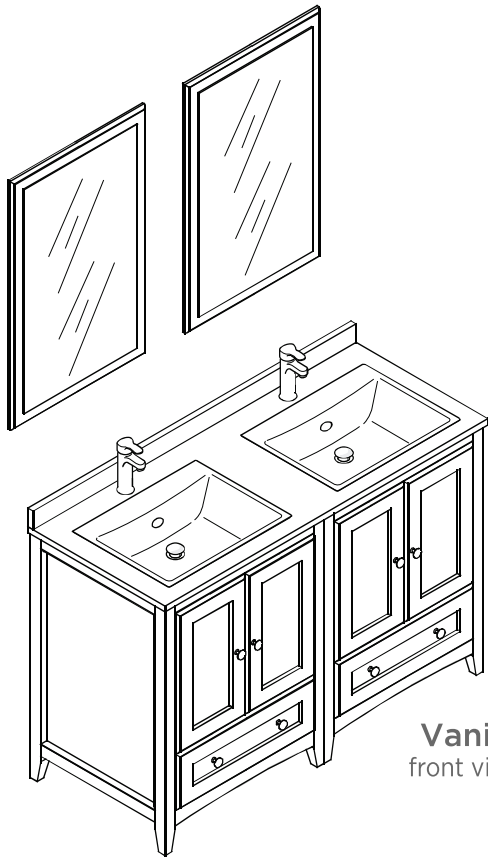
INSTALLATION GUIDE

CONTENTS:

Cabinet.....	(FCB20-2424).....	PAGE 4
Sink.....	(FVS2017).....	PAGE 5
Mirror.....	(FMR2024).....	PAGE 2
Countertop.....	(FCT2048-D).....	PAGE 5

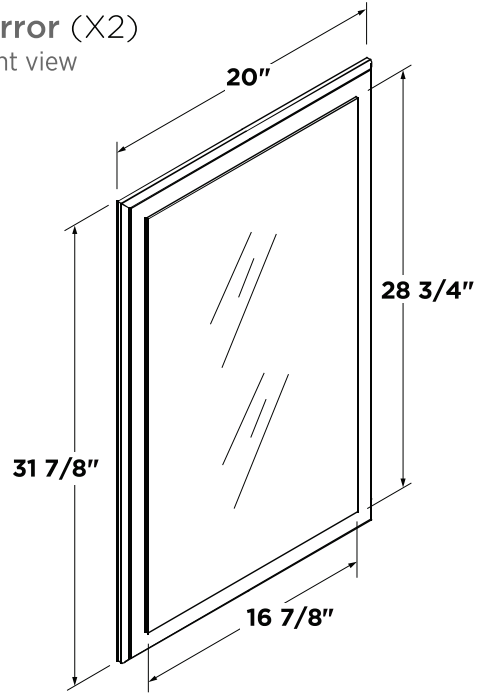


FVN20-2424
OXFORD
INSTALLATION GUIDE

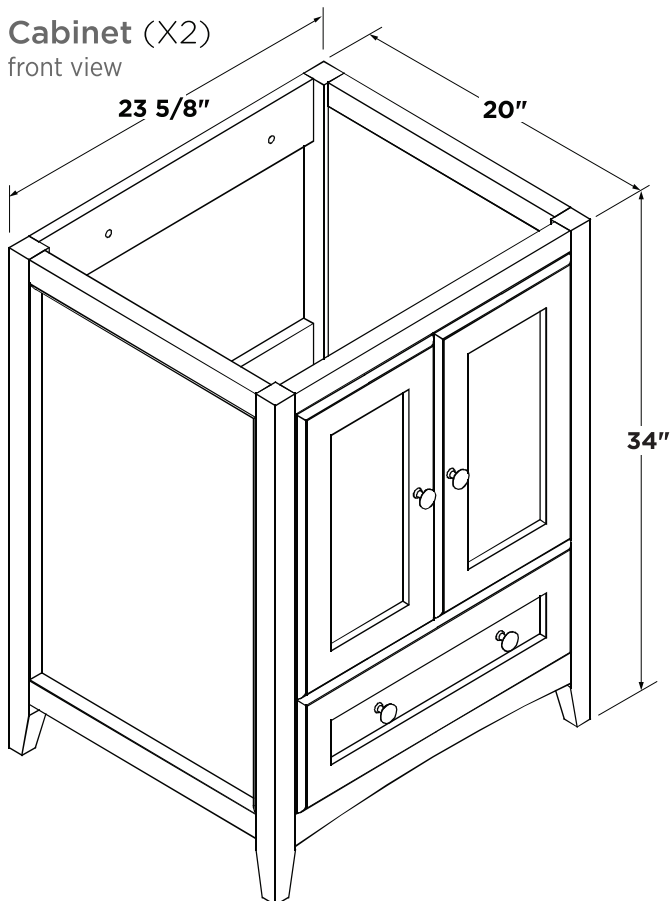


Vanity
front view

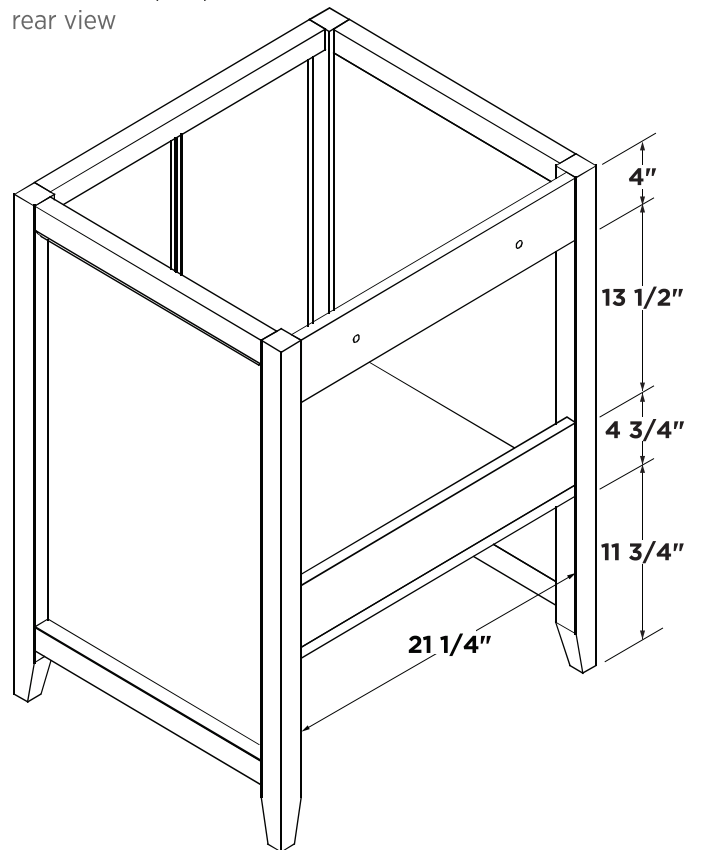
Mirror (X2)
front view



Cabinet (X2)
front view

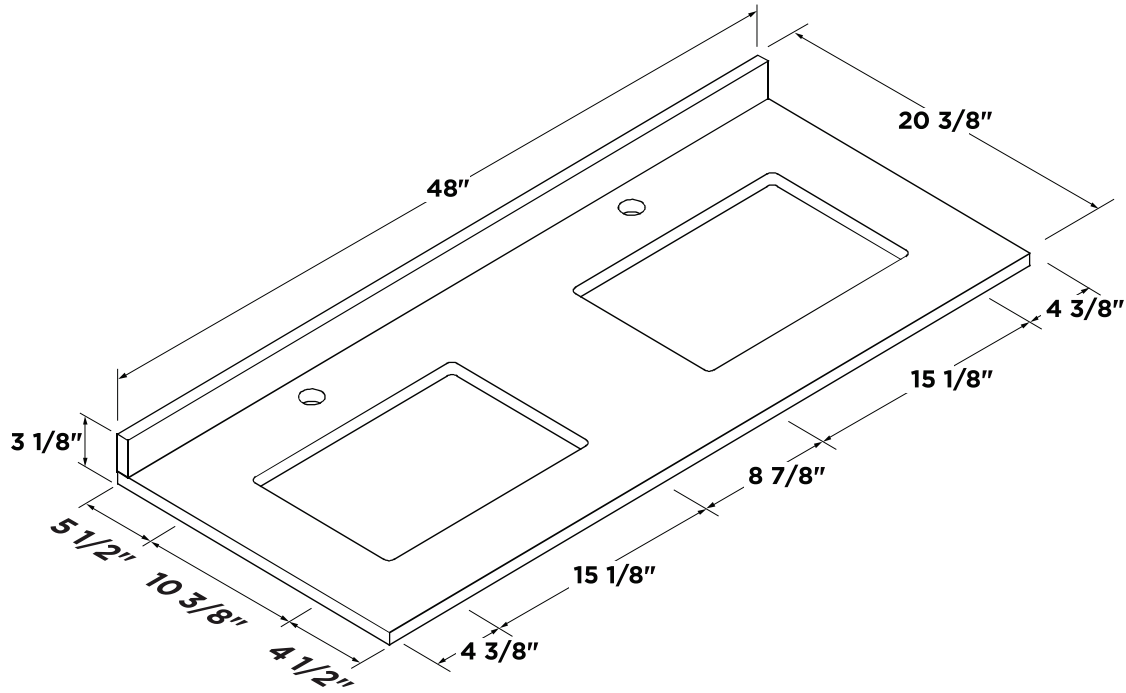


Cabinet (X2)
rear view



NOTE: ALL DIMENSIONS & SPECIFICATIONS ARE APPROXIMATE AND SUBJECT TO CHANGE WITHOUT NOTICE.

COUNTER TOP & BACK SPLASH DIMENSIONS



NOTE: ALL DIMENSIONS & SPECIFICATIONS ARE APPROXIMATE AND SUBJECT TO CHANGE WITHOUT NOTICE.

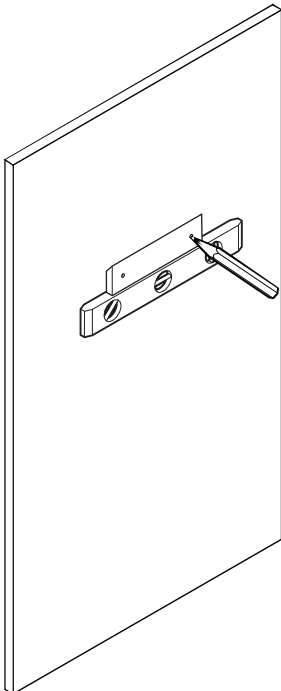
TOOLS FOR ASSEMBLY



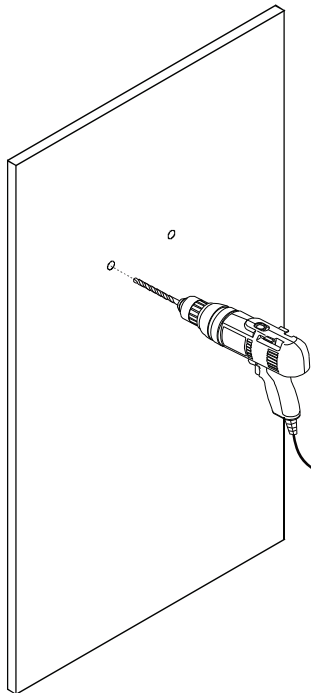
MIRROR INSTALLATION

***NOTE:**
Only use anchors if stud is not available.

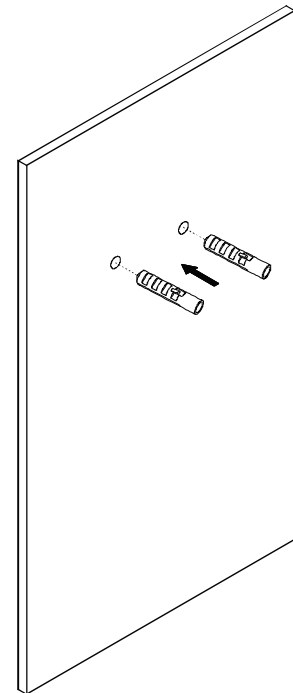
1 Level the mirror bracket and then mark the installation position



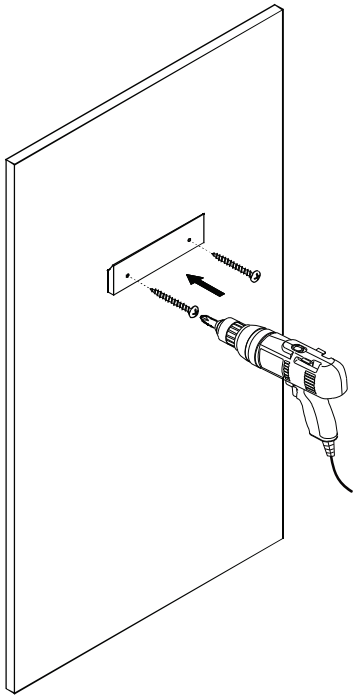
2 Drill the holes



3 Insert the anchors inside the holes

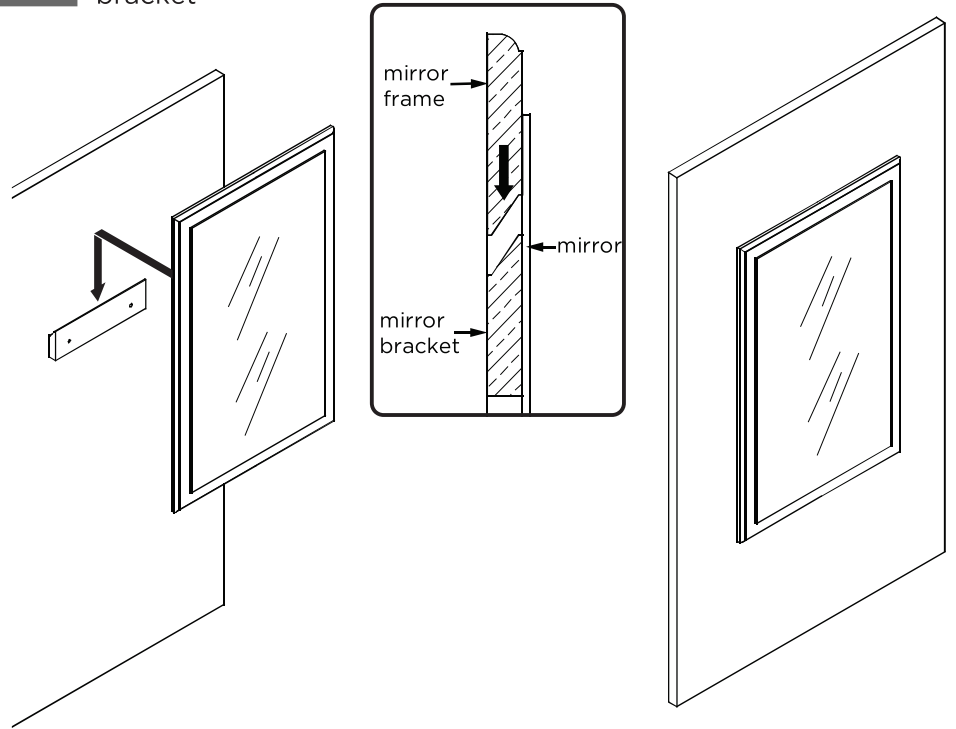


4 Attach the bracket to the wall with the screws



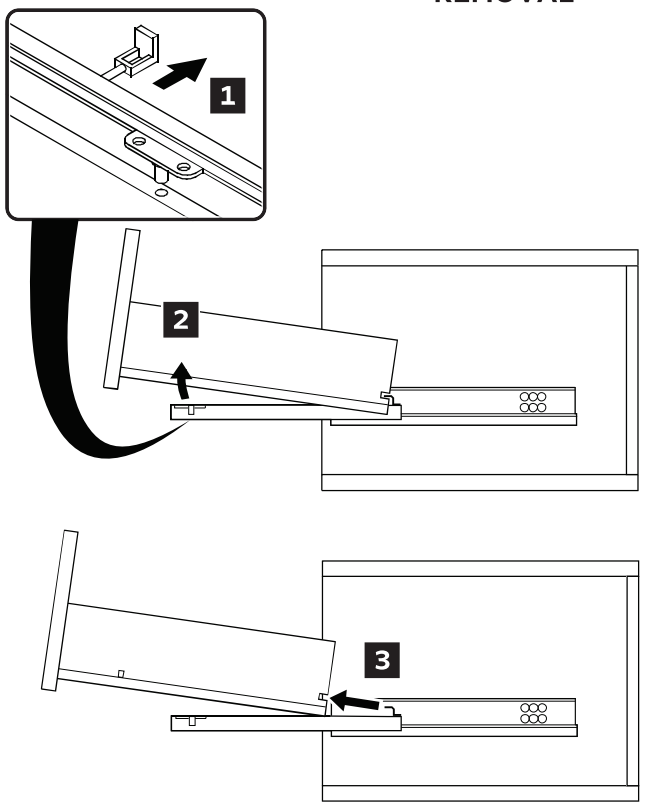
NOTE: Consult an expert for the proper screws/bolts to use when attaching to various constructions. Screws provided do not attach to all wall construction types.

5 Hang the mirror on the bracket

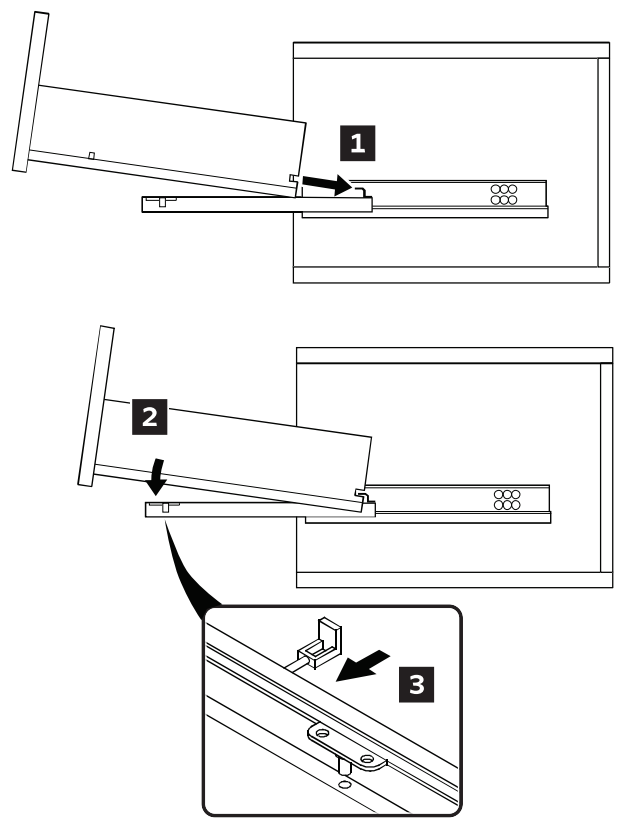


DRAWER REMOVAL & INSTALLATION

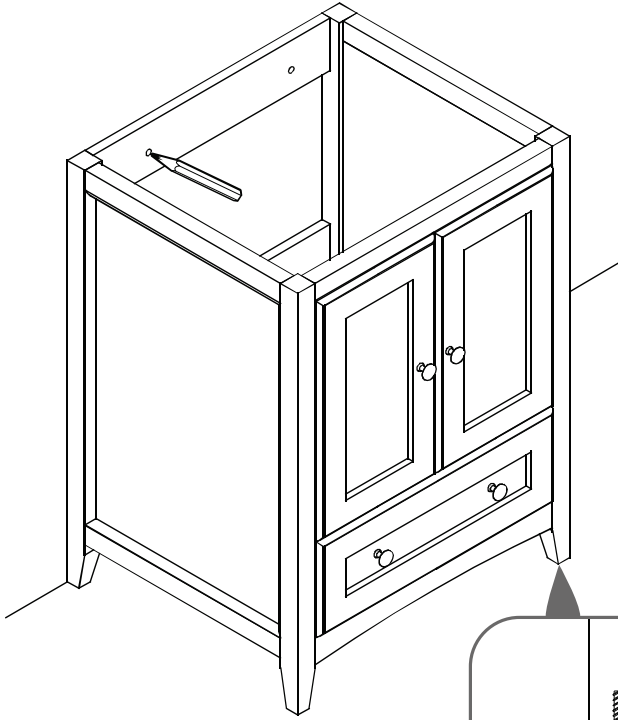
REMOVAL



INSTALLATION

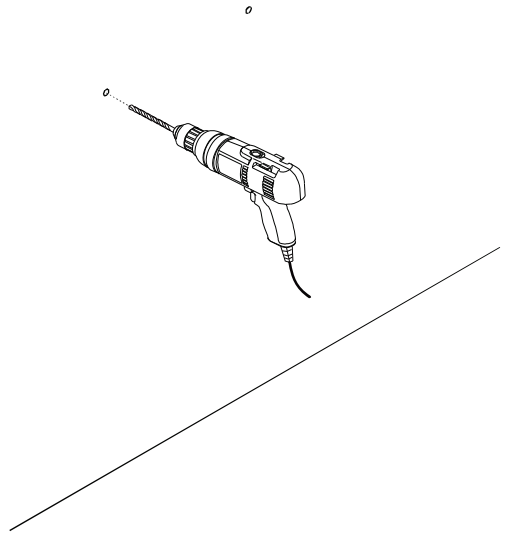


1 Level the cabinet and mark position for the installation.



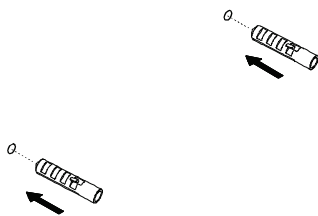
To ensure stability, cabinet's height can be regulated by turning the glide clockwise or counterclockwise.
(Optional Step)

2 Drill the holes previously marked.



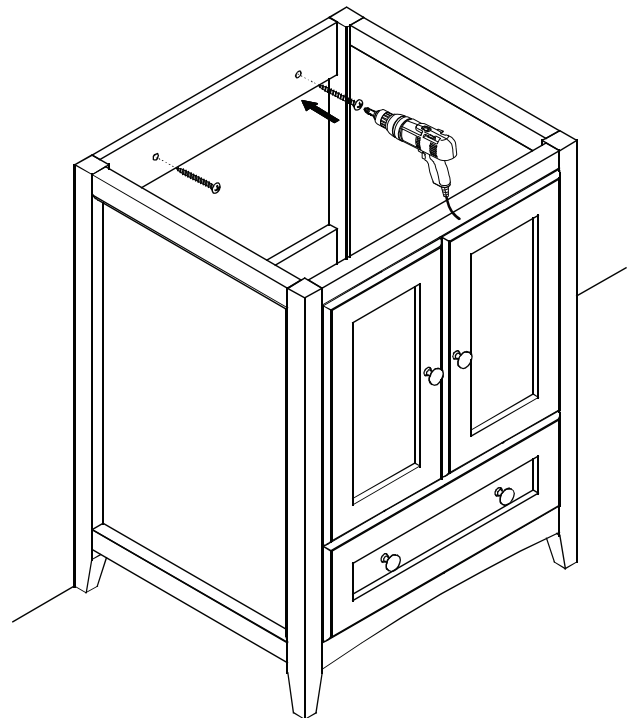
☞ Consult an expert for the proper screws/bolts to use when attaching to various wall constructions. Screws provided **do not attach** to all wall construction types.

3 *Insert the anchors into the holes

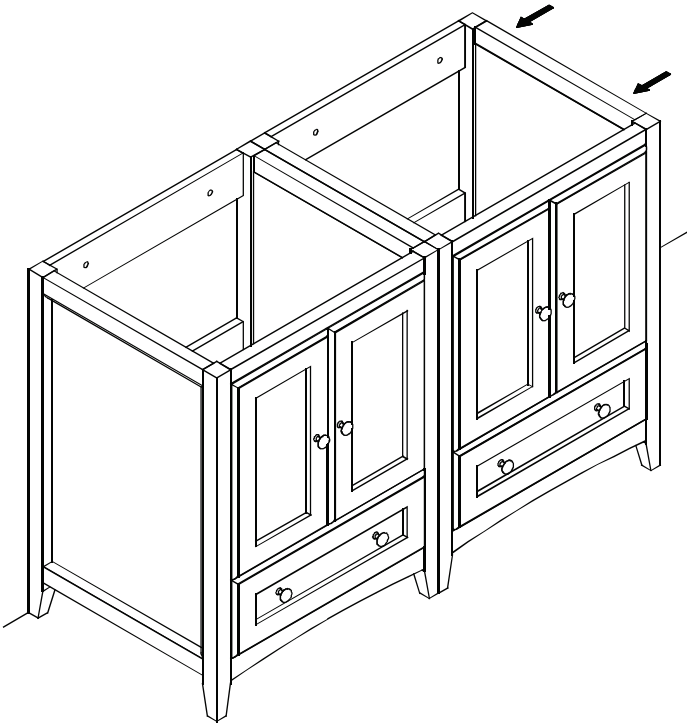


***NOTE:**
Only use anchors if stud is not available.

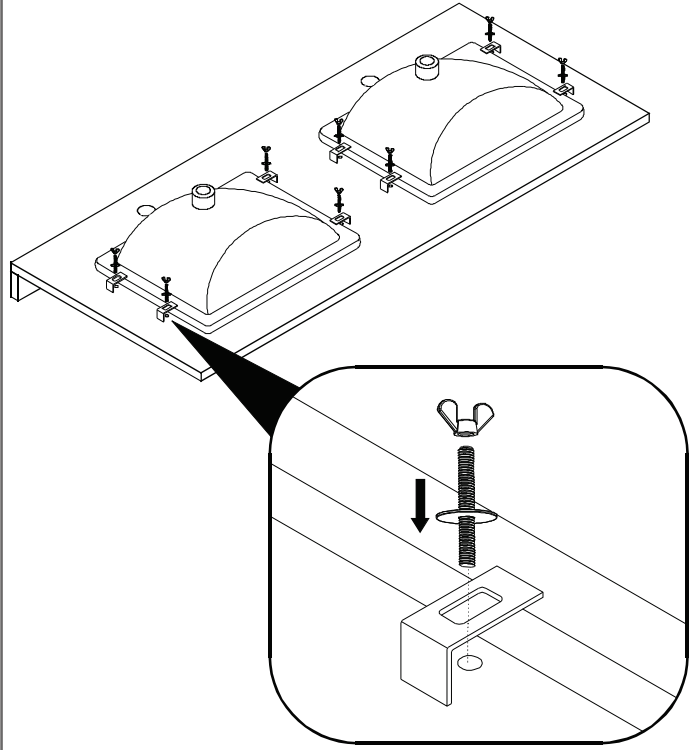
4 Connect the cabinet to the wall using screws



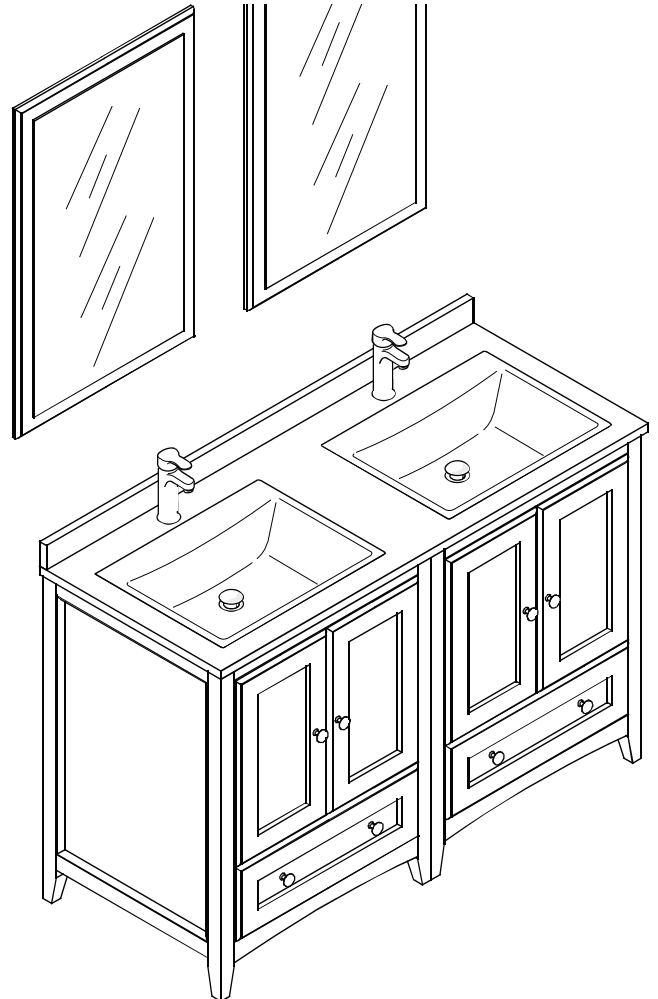
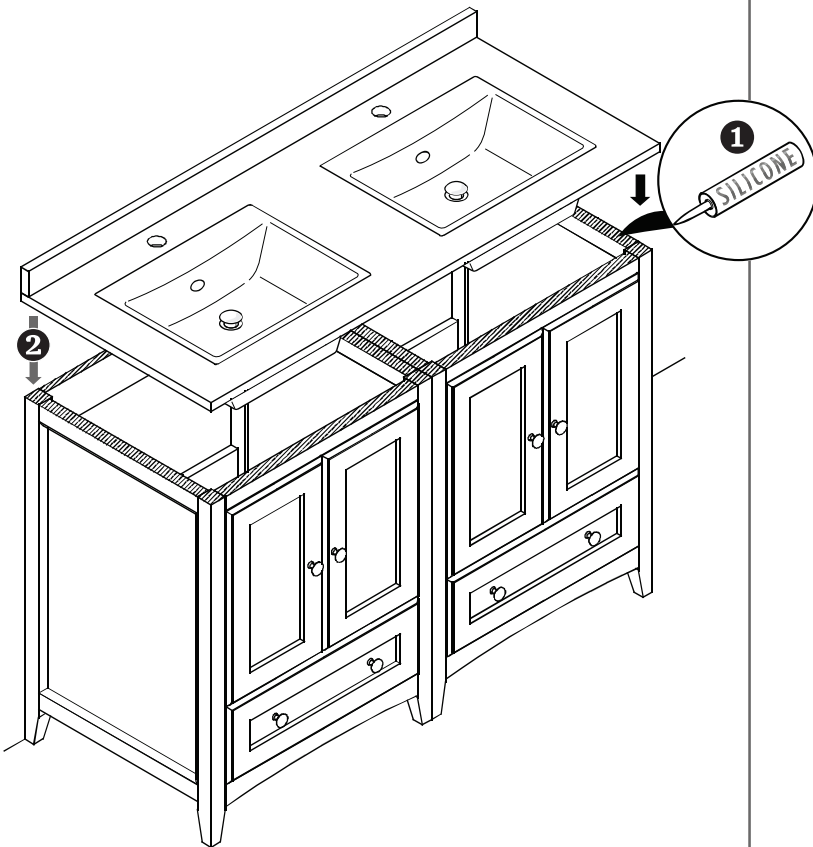
5 Align and repeat the cabinet installation.



6 Attach sinks to the countertop with provided brackets and screws.

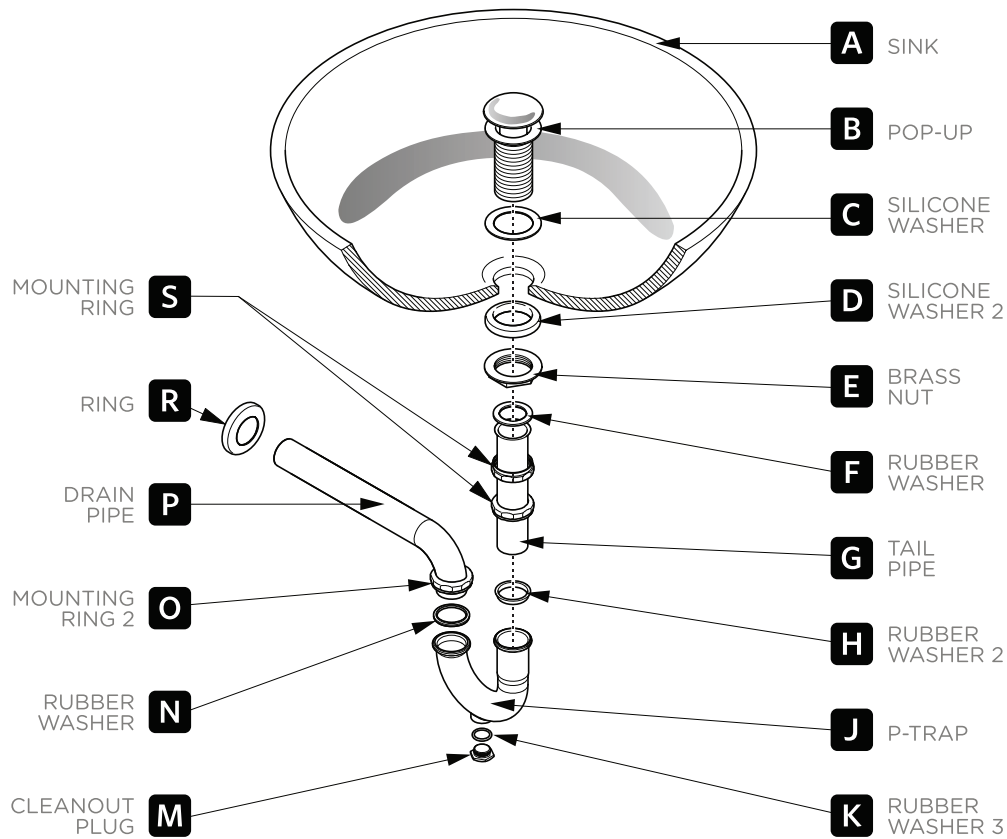


7 Apply silicone on the top of the cabinet and place countertop with sinks on it.



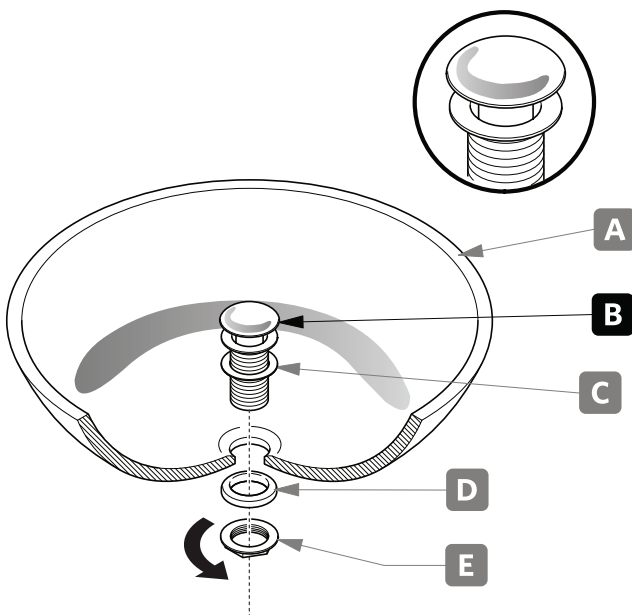
P-TRAP & POP-UP INSTALLATION INSTRUCTIONS

Your item may appear slightly different from the illustration.



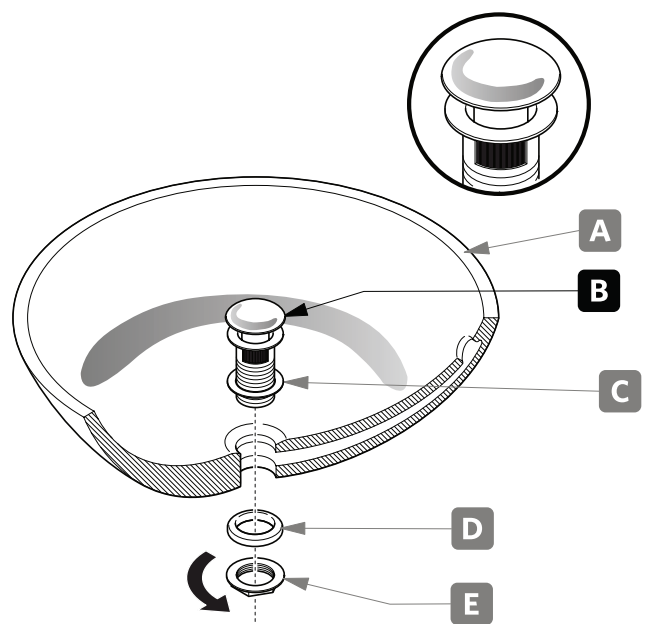
POP-UP INSTALLATION

**FOR SINKS
WITHOUT OVERFLOW**



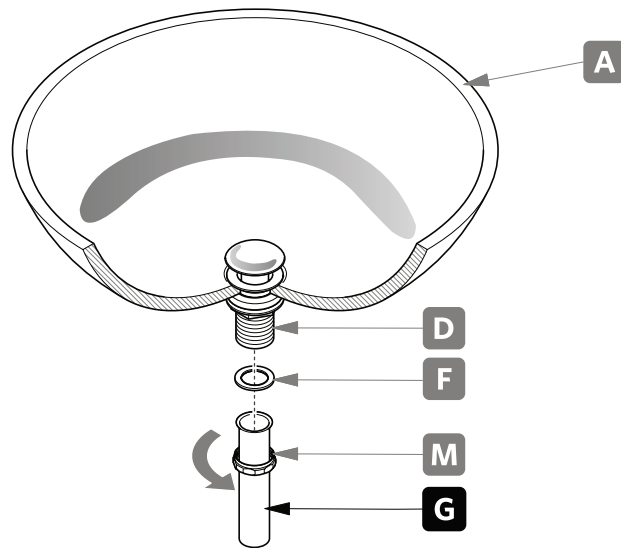
OR

**FOR SINKS
WITH OVERFLOW**



P-TRAP INSTALLATION

1 Install tail pipe (G).



2 Install P-trap (J).

