






Aubrie Swivel Stool


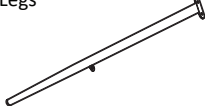

Model #4556-828 Counter Stool

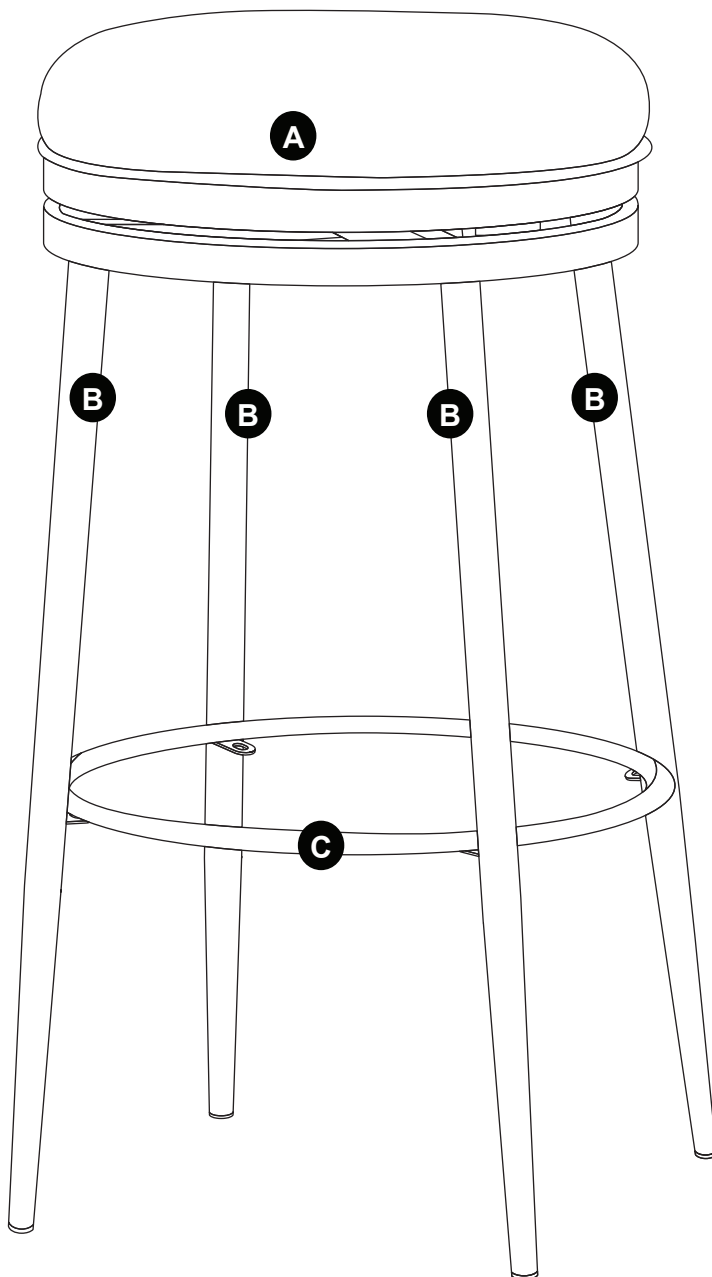
Model #4556-832 Barstool

Examine all packaging material for small parts that may have come loose during shipment. Periodic checks are recommended to insure that all components are in proper position, tight and free from damage. Keep this assembly instruction for future reference. Adult assembly is required. The product of Hillsdale Furniture, LLC is designed for residential use only. Customer Service Phone Number: 502-562-0000

HDFBP

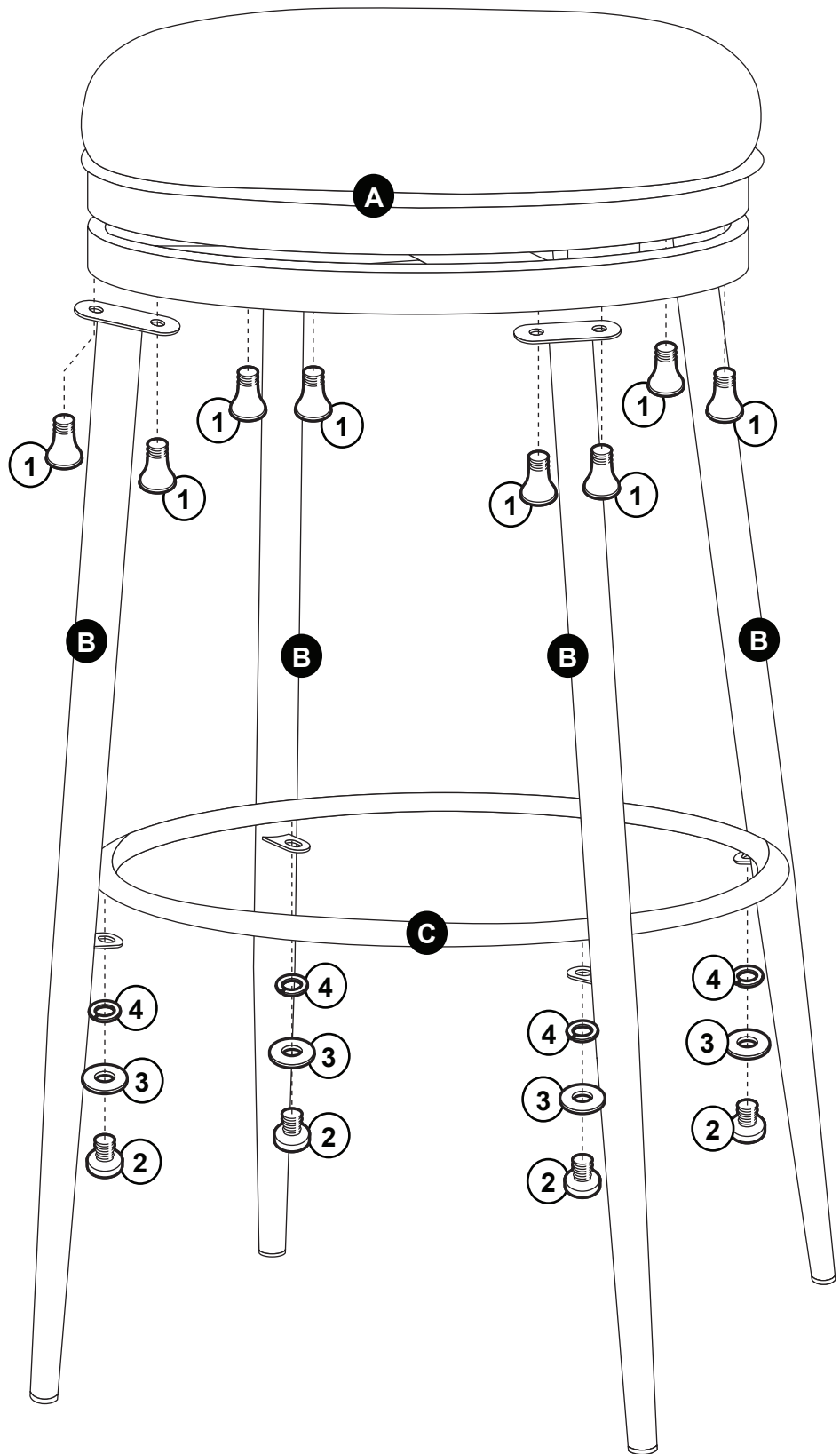
| CODE | QTY | HARDWARE |
|------|-----|--|
| 1 | 8 | 1/4" x 15mm Sunk Bolts  |
| 2 | 4 | 1/4" 15mm Allen Bolts  |
| 3 | 4 | Spring Washers  |
| 4 | 4 | Flat Washers  |
| 5 | 1 | Allen Wrench  |

| CODE | QTY | COMPONENTS | CODE | QTY | COMPONENTS |
|------|-----|---|------|-----|--|
| A | 1 | Seat  | B | 4 | Legs  |
| | | | C | 1 | Support Ring  |



WARNING

- Do not let any sharp objects touch or rub the surface of the product.
- When assembling, do not let children play around the working area.
- Please confirm all parts are correct before starting the assembly process.
- Do not tighten all bolts and screws completely until the entire unit has been assembled and set up.
- Be careful if using power tools as they can over tighten screws and strip threads.



STEP 1

Begin assembly by attaching Support Ring (C) to Legs (B) using 1 Allen Bolt (2), 1 Spring Washer (3) and 1 Flat Washer (4) per leg.

STEP 2

Attach Legs (B) to Seat (A) using 2 Sunk Bolts (1) per leg. Tighten all bolts using Allen Wrench (5) provided. The assembly is now complete.