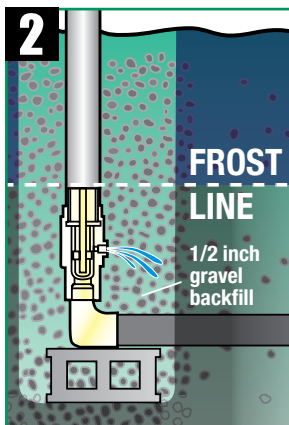


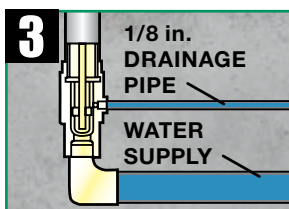
1

- Flush the piping in your water supply before connecting the hydrant to clear any gravel or other debris
- Debris in the system can prevent the hydrant from closing or draining properly



2

- Dig a hole approximately 2 ft wide x 1 ft deeper than the bury depth
- **To prevent freezing**, the brass valve must be buried below the FROST LINE (consult local codes)
- It is a good idea to put a brick or cinder block under the hydrant. This will help support the hydrant and pipe when the ground settles
- For additional support, you can bury a 4x4 post in the ground and clamp the yard hydrant pipe to the post to keep the hydrant level
- Backfill the hole with 1/2 in. or medium sized gravel to help with drainage
- Water drains from weep hole on the side of the brass valve



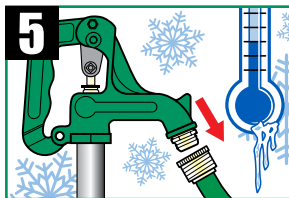
3

- If installing in concrete or asphalt, use 1/8 in. drain tubing on the hydrant weep hole to move water away to a remote drainage area.
- Brass valve is tapped 1/8 in. female NPT



4

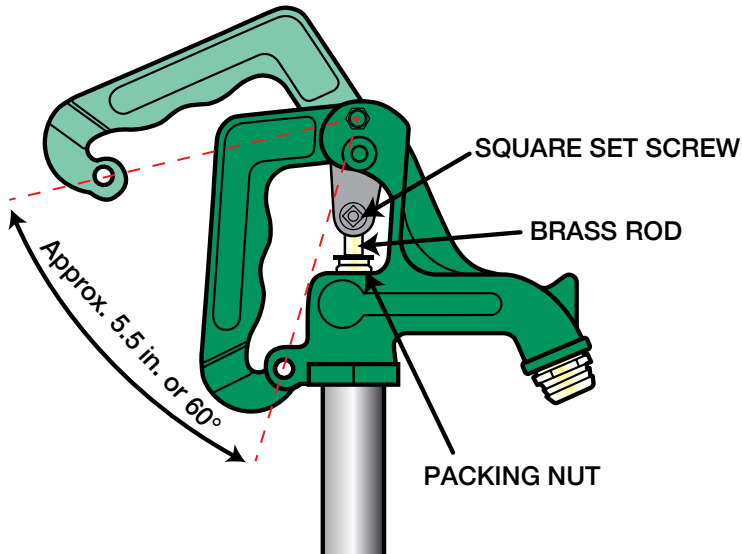
- **WARNING:** Maximum inlet pressure should be no more than 120 PSI
- Higher water pressure can accelerate plunger wear or prevent the hydrant from closing



5

- If freezing conditions exist, you must detach hose from spigot after you are finished using the yard hydrant
- Yard hydrants can only drain when the hose is removed
- If you are using a vacuum breaker, you must remove it or manually drain the hydrant

Do not bury hydrant until you have verified there are no leaks and the hydrant is draining properly. If you do not know the frost line depth, contact your local government agency. If the hydrant is not draining properly, please call **844-251-7446** or visit homedepot.com for helpful videos.



NO NEED TO DIG

Yard hydrants require no digging to repair leaks or damaged parts. They are easily repairable above ground with just a few simple steps. If you have questions before repairing or digging, please call **844-251-7446**.

ADJUSTMENT IF LEAKING WHILE CLOSED (HANDLE DOWN)

LEAKING MAY BE NOTICED FROM SPIGOT OR THE GROUND MAY BE SATURATED

1. Turn the water supply off and drain all pressure by raising and lowering the handle.
2. Hydrant handle must be in the closed position, loosen square set screw.
3. Open hydrant handle approximately 5.5 in. or 60° from the closed position.
Tighten the square set screw and close hydrant handle. **DO NOT OVERADJUST** or you risk damaging the brass rod or plunger at the bottom of the hydrant.
4. Verify hydrant is no longer leaking.
 - a) Turn water supply on.
 - b) Raise hydrant handle to operate, then close hydrant and allow to drain.
 - c) Place your hand over the spigot. You will feel a vacuum that shows the water is draining. If you do not feel a vacuum, the hydrant is still leaking. Repeat steps 1-4 until leak is no longer present.

If the hydrant is still leaking after a few adjustments, the hydrant could require a new plunger. It is also possible that the weep hole is blocked by dirt or debris, preventing drainage. This can happen if the hydrant is not buried in gravel. Try to create back pressure by opening and closing hydrant while kinking hose to clear the blockage.

ADJUSTMENT IF LEAKING WHILE OPEN (HANDLE UP)

LEAKING MAY BE NOTICED AROUND PACKING NUT

1. With hose and sprayer attached, raise handle to open hydrant.
2. With a crescent wrench, turn packing nut 1/2 turn clockwise until leak stops.

NOTE: If hydrant is still leaking after adjustments have been made, the hydrant could require new O-rings. Do not overtighten, or you may damage the O-rings.

HAVE QUESTIONS? NEED TO ORDER PARTS?

Refer to instruction manual, call **844-251-7446**, or visit [homedepot.com](https://www.homedepot.com)