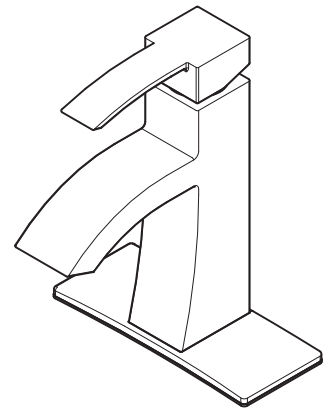


4" Centerset Lavatory Faucet

- LF-042-BNCC Finish(CC)
- LF-042-BNKK Finish(KK)



Specifications

- Single Control
- 1 or 3-Hole Installation
- Pforever Seal

Features

- 1.2 GPM Flow Rate
- All Metal Construction
- 1 or 3-Hole Installation; Deck Plate or Single Hole Mounting Option
- Push & Seal™ Pop-Up
- Pforever Seal Ceramic Disc Valve
- Pforever Warranty®

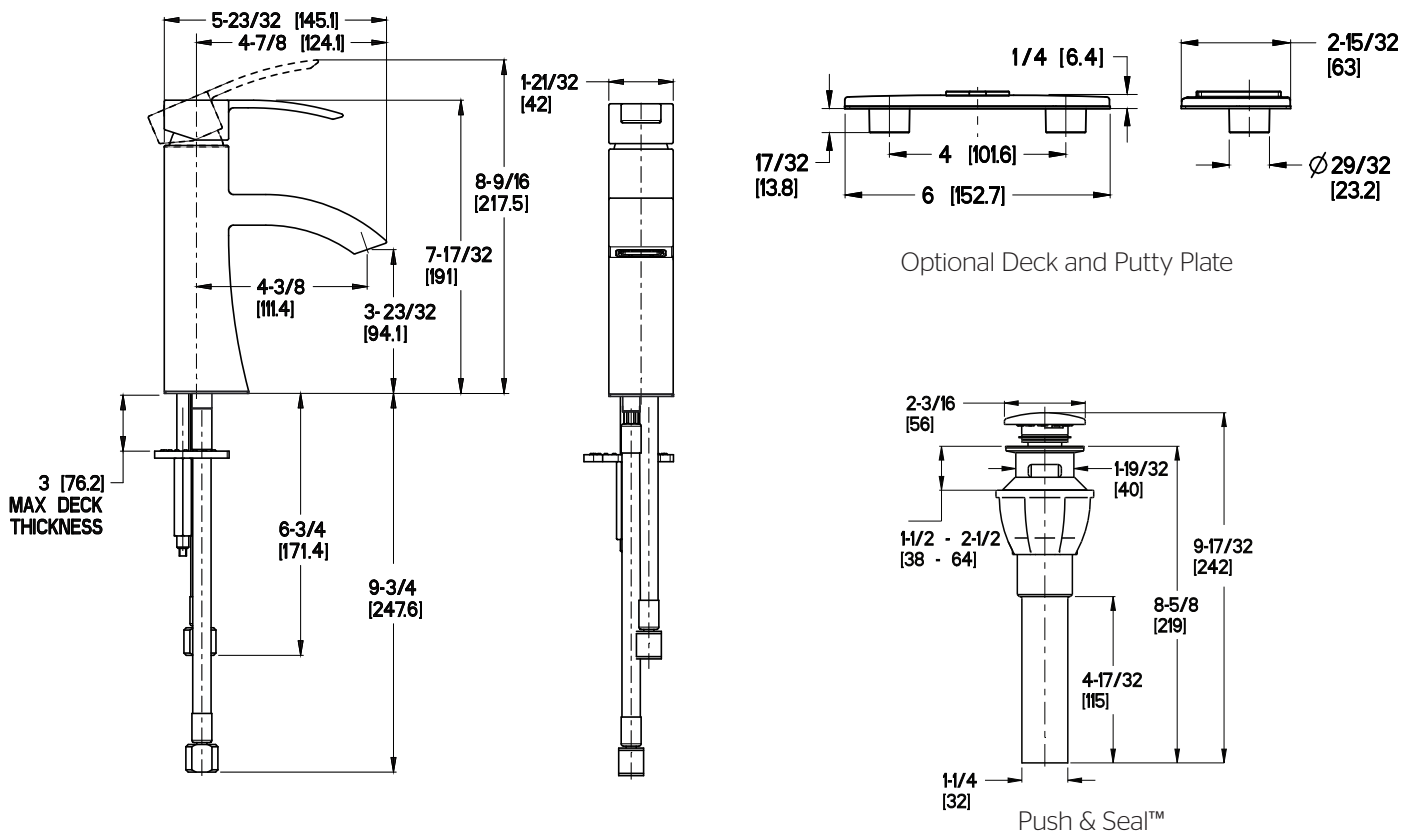
Code Compliance

Pfister products are designed and manufactured in compliance with the following standards and codes:

- IAPMO Certified
- CSA B125 Certified
- ASME A112.18.1
- NSF 61/9 Annex G (Low lead)
- Cal Green Compliant
- CEC Compliant
- EPA WaterSense Certification 1.2 gpm, 4.5 L/Min
- ADA Compliant-ANSI A117.1 (Lever handles only)



Dimensions



Ø1 Min to Ø1-1/2 Max. Deck Hole Openings