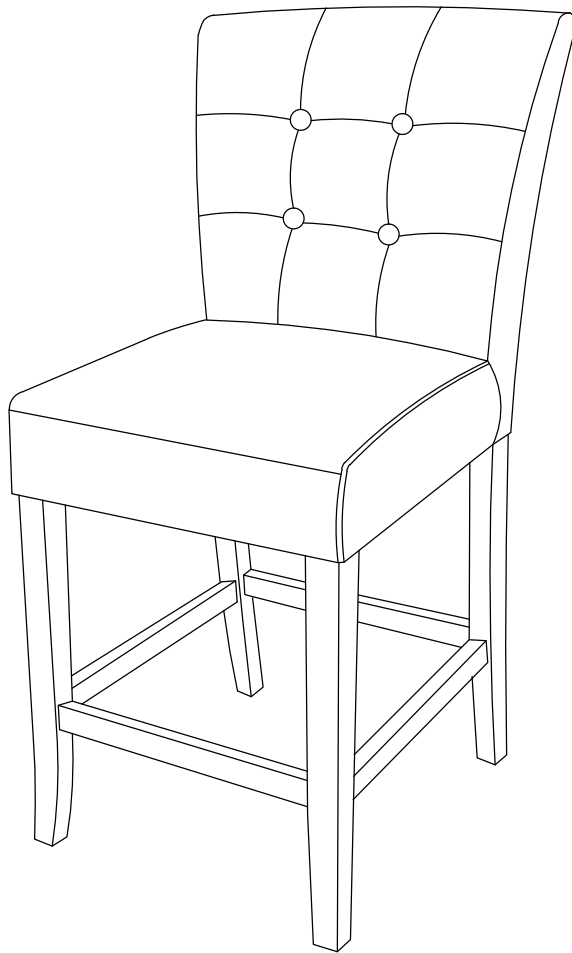




Furniture of America™

ASSEMBLY INSTRUCTION

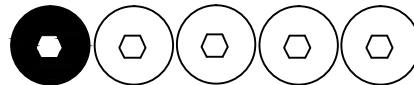
Item No.:CY3866PC-UPS



ASSEMBLY RATING

The Assembly Rating is a 5-point system that shows the degree of effort needed in assembling a specific product (with 1 being easy and 5 being relatively difficult). For some products, two persons are recommended.







EASY



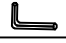






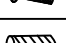
DIFFICULT

Do not tighten screws until completely assembled.

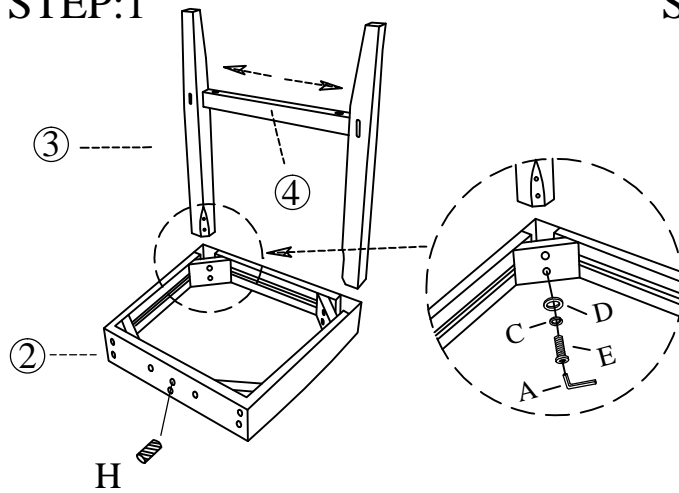
PARTS IDENTIFICATION

| NO | Part | Sketch | Quantity |
|----|---|-----------------|----------|
| 1 |  | Back | 1PC |
| 2 |  | Seat Frame | 1PC |
| 3 |  | Front Legs | 2PCS |
| 4 |  | Front Stretcher | 1PC |
| 5 |  | Left Stretcher | 1PC |
| 6 |  | Right Stretcher | 1PC |

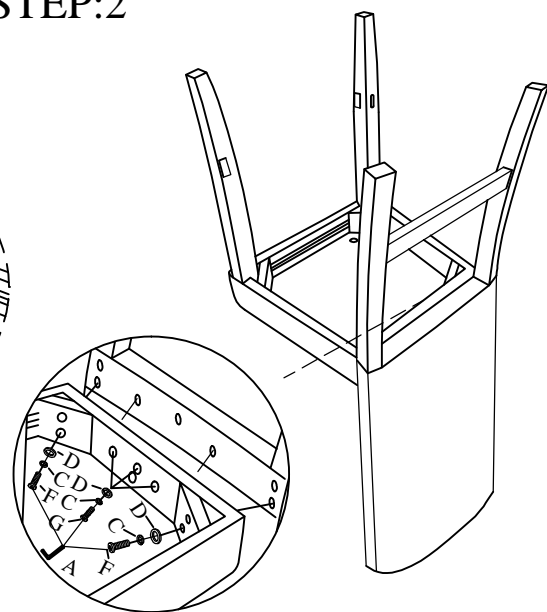
HARDWARE LIST

| NO | Shape | Specification | Quantity |
|----|---|----------------|----------|
| A |  | Allen Wrench | 1PC |
| B |  | (8#x1-1/2") | 6PCS |
| C |  | (5/16") | 11PCS |
| D |  | (5/16"x22MM) | 11PCS |
| E |  | (5/16"x2-1/2") | 4PCS |
| F |  | (5/16"x3-1/2") | 4PCS |
| G |  | (5/16"x2-1/4") | 3PCS |
| H |  | (10*35MM) | 1PC |

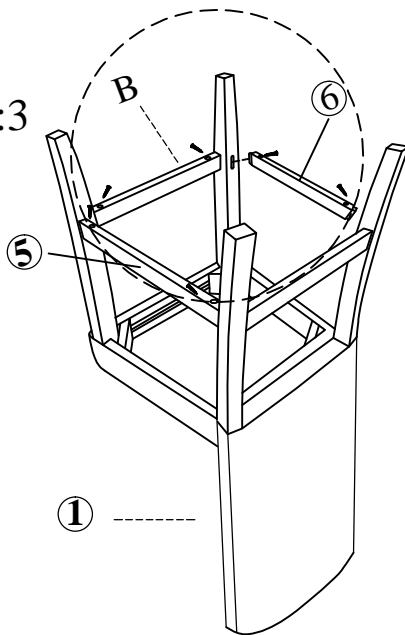
STEP:1



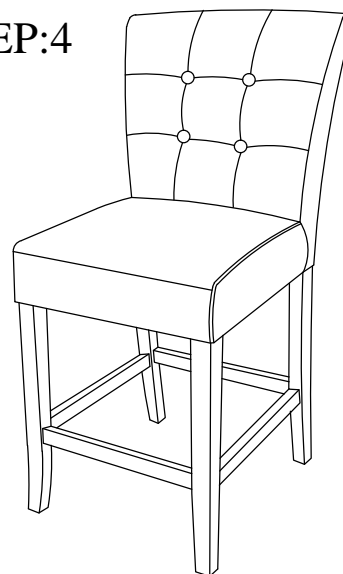
STEP:2



STEP:3



STEP:4



Do not tighten screws until completely assembled.