

# FIRMAN<sup>®</sup>

## OWNER'S MANUAL DUAL FUEL GENERATOR



MODEL NUMBER  
**H05752**

Rev Level:00

**IMPORTANT:** Read all safety precautions and instructions carefully before operating equipment.



Ensure engine is stopped and level before performing any maintenance or service.

Record product information to reference when ordering parts or obtaining warranty coverage.



**DO NOT RETURN TO  
STORE!**



CALL US FIRST!  
CUSTOMER HOTLINE  
1-844-347-6261

FOR QUESTIONS OR SERVICE  
INFORMATION

Serial Number: \_\_\_\_\_

Purchase Date: \_\_\_\_\_

P/N:357745482 Rev:01

# Table of Contents

<b>Introduction</b> . . . . .	1	<b>Maintenance And Storage</b> . . . . .	25
<b>Safety Precautions</b> . . . . .	2	Maintenance Schedule . . . . .	25
<b>Unpacking the Generator</b> . . . . .	6	Engine Maintenance . . . . .	26
Parts Included . . . . .	7	Change Engine Oil . . . . .	26
<b>Assembly</b> . . . . .	8	Air Filter Maintenance . . . . .	26
Install the Wheel Kit . . . . .	8	Spark Plug Maintenance . . . . .	27
Install the Support Leg . . . . .	8	Cleaning Fuel Strainer . . . . .	27
Battery Cable Connection . . . . .	9	Inspect Muffler and Spark Arrester . . . . .	27
<b>Controls and Features</b> . . . . .	10	Generator Maintenance . . . . .	28
Generator . . . . .	10	Battery Replacement . . . . .	28
Control Panel . . . . .	11	Service and Storage . . . . .	29
<b>Specifications</b> . . . . .	13	<b>Trouble Shooting</b> . . . . .	31
Add Engine Oil . . . . .	14	<b>Parts Diagram and Parts List</b> . . . . .	32
Low Oil Shutdown . . . . .	14	Generator Parts Diagram . . . . .	32
Add Fuel . . . . .	15	Engine Parts Diagram . . . . .	33
Operation at High Altitude . . . . .	17	Parts List . . . . .	34
Grounding . . . . .	18	<b>Service Information</b> . . . . .	36
Connecting to a Building's Electrical System . . . . .	18	<b>Warranty</b> . . . . .	36
<b>Operation</b> . . . . .	19		
Generator Location . . . . .	19		
Surge Protection . . . . .	19		
Starting the Generator (Gasoline) . . . . .	20		
Starting the Generator (LPG) . . . . .	20		
Connecting Electrical Loads . . . . .	22		
Stopping the Engine . . . . .	22		
Indicator light - Battery Power Saving Mode . . . . .	23		
Low Oil Shutdown . . . . .	23		
Do Not Overload Generator . . . . .	24		

# INTRODUCTION

Thank you for purchasing a FIRMAN generator.

**This manual contains** safety information to make you aware of the hazards and risks associated with generator products and how to avoid them. This generator is designed and intended only for supplying electrical power for operating compatible electrical lighting, appliances, tools and motor loads, and is not intended for any other purpose. It is important that you read and understand these instructions thoroughly before attempting to start or operate this equipment.

**Save these original instructions for future reference.**

This manual covers operation and maintenance of the FIRMAN generators. All information in this publication is based on the latest production information available at the time of approval for printing. The manufacturer reserves the right to change, alter or other wise improve the generator and this documentation at any time without prior change.

## Important Safety Information

The manufacturer cannot possibly anticipate every possible circumstance that might involve a hazard. The warnings in this manual and the tags and decals affixed to the unit are therefore not all-inclusive. If you use a procedure, work method or operating technique that the manufacturer does not specifically recommend you must satisfy yourself that it is safe for you and others. You must also make sure that the procedure work method or operating technique that you choose does not render the generator unsafe.

### SAFETY INFORMATION



#### DANGER

DANGER indicates a potentially hazardous situation which, if not avoided, WILL result in death or serious injury.



#### WARNING

WARNING indicates a potentially hazardous situation which, if not avoided, could result in death or serious injury.



#### CAUTION

CAUTION indicates a potentially hazardous situation which, if not avoided, may result in minor or moderate personal injury, or property damage.



Toxic Fumes



Risk of Electric Shock



Fire Hazard



Explosion Hazard



Hot Surface.  
Do Not Touch the Surface.



Rotating Parts Entanglement  
Hazard





Kickback



Operator's Manual

## SAFETY PRECAUTIONS

<b>⚠ DANGER</b>	
Using a generator indoors <b>CAN KILL YOU IN MINUTES.</b> Generator exhaust contains carbon monoxide. This is a poison you cannot see or smell.	
	
NEVER use inside a home or garage, EVEN IF doors and windows are open.	Only use <b>OUTSIDE</b> and far away from windows, doors, and vents.
Avoid other generator hazards. <b>READ MANUAL BEFORE USE.</b>	

### **⚠ WARNING** **POISONOUS GAS HAZARD.**



Engine exhaust contains carbon monoxide, a poisonous gas that could kill you in minutes. You **CANNOT** smell it, see it, or taste it. Even if you do not smell exhaust fumes, you could still be exposed to carbon monoxide gas.

- Operate this product **ONLY** outside far away from windows, doors and vents to reduce the risk of carbon monoxide gas from accumulating and potentially being drawn towards occupied spaces.
- Install battery-operated carbon monoxide alarms or plug-in carbon monoxide alarms with battery back-up according to the manufacturer's instructions. Smoke alarms cannot detect carbon monoxide gas.
- **DO NOT** run this product inside homes, garages, basements, crawlspaces, sheds, or other partially-enclosed spaces even if using fans or opening doors and windows for ventilation. Carbon monoxide can quickly build up in these spaces and can linger for hours, even after this product has shut off.
- **ALWAYS** place this product downwind and point the engine exhaust away from occupied spaces. If you start to feel sick, dizzy, or weak while using this product, shut it off and get to fresh air **RIGHT AWAY**. See a doctor. You may have carbon monoxide poisoning.

### **⚠ WARNING**

The engine exhaust from this product contains chemicals known to the State of California to cause cancer, birth defects, or other reproductive harm.

### **⚠ WARNING**

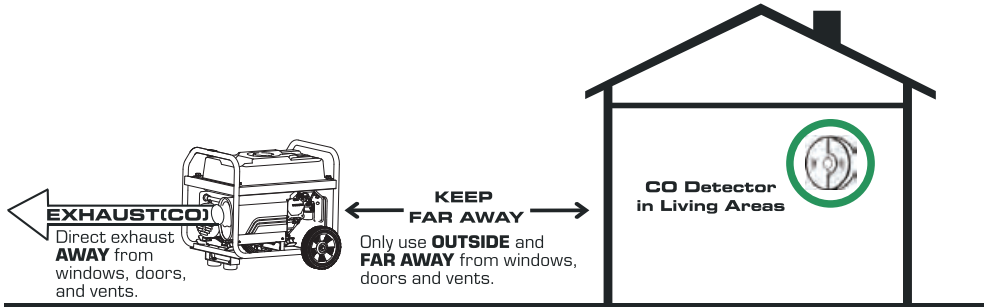
Certain components in this product and related accessories contain chemicals known to the State of California to cause cancer, birth defects or other reproductive harm. Wash hands after handling.

- If you start to feel sick, dizzy or weak while using the portable generator, you may have carbon monoxide poisoning. Get out side to fresh air immediately and call 911 for emergency medical attention. Very high levels of CO can rapidly cause victims to lose consciousness before they can rescue themselves. **DO NOT** attempt to shut off the generator before moving to fresh air. Entering an enclosed space where a generator is or has been running may put you at greater risk of CO poisoning.

## CORRECT USAGE

### Example location to reduce risk of carbon monoxide poisoning

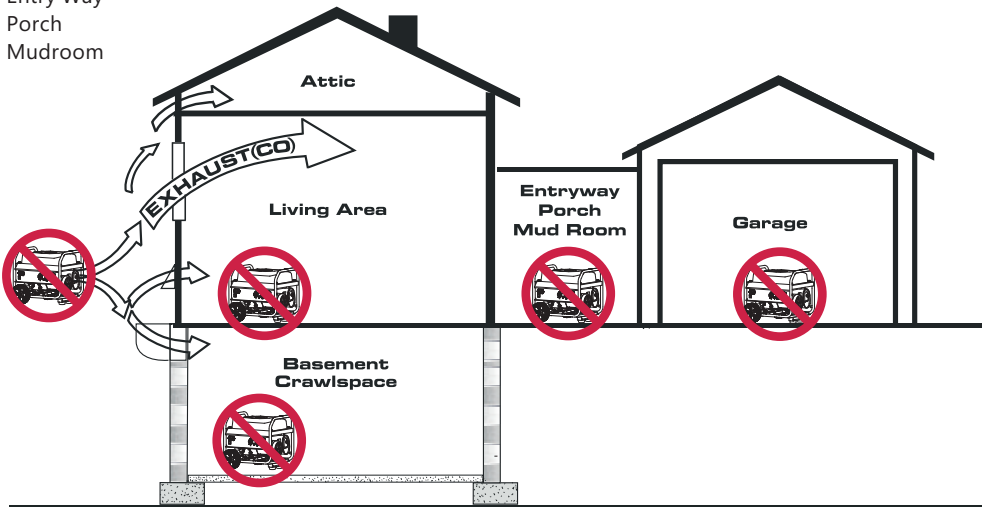
- ONLY use outside and downwind, far away from windows, doors and vents.
- Direct exhaust **AWAY** from windows, doors, and vents.



## INCORRECT USAGE

### Do not operate in any of the following locations:

- Near any door, window or vent
- Garage
- Basement
- Crawl Space
- Living Area
- Attic
- Entry Way
- Porch
- Mudroom



## **WARNING**



Starter cord kickback (rapid retraction) will pull hand and arm toward engine faster than you can let go which could cause broken bones, fractures, bruises, or sprains resulting in serious injury.

- When starting engine, pull cord slowly until resistance is felt and then pull rapidly to avoid kickback.
- **NEVER** start or stop engine with electrical devices plugged in and turned on.

## **WARNING**



Gasoline, gasoline vapors and liquid petroleum gas(LPG) are extremely flammable and explosive which could cause burns, fire, or explosion resulting in death or serious injury and/or property damage.

### **WHEN ADDING OR DRAINING GASOLINE**

- Turn generator engine OFF and let it cool at least 2 minutes before removing fuel cap. Loosen cap slowly to relieve pressure in tank.
- Fill or drain fuel tank outdoors.
- **DO NOT** overfill tank. Allow space for fuel expansion.
- If fuel spills, wait until it evaporates before starting engine.
- Keep fuel away from sparks, open flames, pilot lights, heat, and other ignition sources.
- Check fuel lines, tank, cap, and fittings frequently for cracks or leaks. Replace if necessary.
- **DO NOT** light a cigarette or smoke.

### **WHEN STARTING EQUIPMENT**

- Ensure spark plug, muffler, fuel cap, and air cleaner are in place.
- **DO NOT** crank engine with spark plug removed.

### **WHEN OPERATING EQUIPMENT**

- **DO NOT** operate this product inside any building, carport, porch, mobile equipment, marine applications, or enclosure.
- **DO NOT** tip engine or equipment at angle which causes fuel or oil to spill.
- **DO NOT** stop engine by moving choke control to "Start" position.

### **WHEN TRANSPORTING, MOVING OR REPAIRING EQUIPMENT**

- Transport/move/repair with fuel tank EMPTY or with fuel valve shut OFF.
- **DO NOT** tip engine or equipment at angle which causes fuel or oil to spill.
- Make certain that a LPG cylinder is not attached to generator and is securely stowed away.
- Disconnect spark plug wire.

### **WHEN STORING FUEL OR EQUIPMENT WITH FUEL IN TANK**

- Store away from furnaces, stoves, water heaters, clothes dryers, or other appliances that have pilot light or other ignition source because they could ignite fuel vapors.
- Do not store gasoline or LPG cylinder near furnaces, water heaters, or any other appliances that produce heat or have automatic ignitions.

## **WARNING**

- This generator does not meet U. S. Coast Guard Regulation 33CFR-183 and should not be used on marine applications.
- Failure to use the appropriate U. S. Coast Guard approved generator could result in death or serious injury and/or property damage.

## **WARNING**



Generator voltage could cause electrical shock or burn resulting in death or serious injury.

- Use approved transfer equipment, suitable for the intended use, to prevent backfeed by isolating generator from electric utility workers.

- When using generator for backup power, notify utility company.
- Use a ground fault circuit interrupter (GFCI) in any damp or highly conductive area, such as metal decking or steel work.
- **DO NOT** touch bare wires or receptacles.
- **DO NOT** use generator with electrical cords which are worn, frayed, bare or otherwise damaged.
- **DO NOT** operate generator in the rain or wet weather.
- **DO NOT** handle generator or electrical cords while standing in water, while barefoot, or while hands or feet are wet.
- **DO NOT** allow unqualified persons or children to operate or service generator.

### **WARNING**



Exhaust heat/gases could ignite combustibles, structures or damage fuel tank causing a fire, resulting in death or serious injury and/or property damage.

Contact with muffler area could cause burns resulting in serious injury.

- **DO NOT** touch hot parts and **AVOID** hot exhaust gases.
- Allow equipment to cool before touching.
- It is a violation of California Public Resource Code, Section 4442, to use or operate the engine on any forest-covered, brush-covered, or grass-covered land unless the exhaust system is equipped with a spark arrester, as defined in Section 4442, maintained in effective working order. Other states or federal jurisdictions may have similar laws. Contact the original equipment manufacturer, retailer, or dealer to obtain a spark arrester designed for the exhaust system installed on this engine.
- Replacement parts must be the same and installed in the same position as the original parts.

### **WARNING**



Unintentional sparking could cause fire or electric shock resulting in death or serious injury.

### **WHEN ADJUSTING OR MAKING REPAIRS TO YOUR GENERATOR**

- Disconnect the spark plug wire from the spark plug and place the wire where it cannot contact spark plug.

### **WHEN TESTING FOR ENGINE SPARK**

- Use approved spark plug tester.
- **DO NOT** check for spark with spark plug removed.

### **WARNING**



Starter and other rotating parts could entangle hands, hair, clothing, or accessories resulting in serious injury.

- **NEVER** operate generator without protective housing or covers.
- **DO NOT** wear loose clothing, jewelry or anything that could be caught in the starter or other rotating parts.
- Tie up long hair and remove jewelry.

### **CAUTION**

Excessively high operating speeds could result in minor injury. Excessively low operating speeds impose a heavy load.

- **DO NOT** tamper with governor spring, links or other parts to increase engine speed. Generator supplies correct rated frequency and voltage when running at governed speed.
- **DO NOT** modify generator in any way.

### **NOTE:**

Exceeding generators wattage/amperage capacity could damage generator and/or electrical devices connected to it.

- **DO NOT** exceed the generator's wattage amperage capacity.
- Start generator and let engine stabilize before connecting electrical loads.
- Connect electrical loads in OFF position, then turn ON for operation.
- Turn electrical loads OFF and disconnect from generator before stopping generator.

## NOTE:

Improper treatment of generator could damage it and shorten its life.

- Use generator only for intended uses.
- If you have questions about intended use, ask dealer or contact local service center.
- Operate generator only on level surfaces.
- DO NOT expose generator to excessive moisture, dust, dirt, or corrosive vapors.
- DO NOT insert any objects through cooling slots.
- If connected devices overheat, turn them off and disconnect them from generator.
- Shut off generator if:
  - Electrical output is lost.
  - Equipment sparks, smokes, or emits flames.
  - Unit vibrates excessively.

## WARNING

### Medical and Life Support Uses.

- In case of emergency, call 911 immediately.
- NEVER use this product to power life support devices or life support appliances.
- NEVER use this product to power medical devices or medical appliances.
- Inform your electricity provider immediately if you or anyone in your household depends on electrical equipment to live.
- Inform your electrical provider immediately if a loss of power would cause you or anyone in your household to experience a medical emergency.

## Fuel Safety

### Gasoline:

## DANGER

GASOLINE AND GASOLINE VAPORS ARE HIGHLY FLAMMABLE AND EXPLOSIVE.

Fire or explosion can cause severe burns or death. Unintentional startup can result in entanglement, traumatic amputation or laceration.

- Gasoline can cause a fire or explosion if ignited.
- Gasoline is a liquid fuel but it's vapors can ignite.

- Gasoline is a skin irritant and needs to be cleaned up immediately if spilled on skin or clothes.
- Gasoline has a distinctive odor, this will help detect potential leaks quickly.
- In any gasoline fire, flames should not be extinguished unless by doing so the fuel supply valve can be turned OFF. This is because if a fire is extinguished and a supply of fuel is not turned OFF, then an explosion hazard could be created.
- Gasoline expands or contracts with ambient temperatures. Never fill the gasoline tank to full capacity, as gasoline needs room to expand if temperatures rise.

### Liquid Petroleum Gas (LPG/Propane):

This generator is dual fuel and capable of running with both gasoline and Liquid Petroleum Gas (LPG/Propane).

## DANGER

- Liquid Petroleum Gas (LPG) is highly flammable and explosive. Fire or explosion can cause severe burns or death.
- Do not use or store LPG cylinder in a building, garage or enclosed area.
- Do not check for leaks with a lighted match or flame.
- The LPG cylinder valve should be fully closed when the generator is not in use or is running with gasoline.
- If you smell gas: close off the gas supply. Make sure there is no leak before using the generator.

## WARNING

- Device used for handling LPG must be installed and used in strict conformance with NFPA 58 (Liquefied Petroleum Gas Code) and NFPA 54 (National Fuel Gas) and all other codes, regulations and manufacturer recommendations.
- Never use a gas container, LPG connector hose, LPG cylinder or any other fuel item that is damaged or appears damaged.
- The LPG cylinder valve should be fully closed when the generator is not in use or is running with gasoline.
- The regulator/hose assembly and cylinder valve must be inspected before each use for leaks or sign of damages.



- If you smell gas: close off the gas supply. Spray a soapy water solution to check all connections for leaks before attempting to use generator. Contact a qualified technician to inspect and repair the LPG system if a leak found before using the generator.

**⚠ CAUTION**

- LPG under pressure is highly flammable and can cause a fire or explosion if ignited.
- LPG is heavier than air and can accumulate in confined spaces and low places in the event of a leak.
- LPG has a distinctive odor to help detect potential leaks.
- Do not allow children to tamper or play with the LPG cylinder.
- In the event of an LPG fire, flames should not be extinguished unless by doing so the fuel supply valve can be turned off. If the fire is extinguished and a supply of fuel is not turned off, an explosion hazard greater than the fire hazard could be created.
- Keep a fire extinguisher near the generator all the time.
- Always keep the LPG cylinder in an upright position.
- Do not subject LPG cylinder to excessive heat.
- Contact with liquid contents of the cylinder will cause freeze burns to the skin.
- An LPG cylinder not connected for use shall not be stored in the vicinity of the generator.
- When transporting and storing, turn off the cylinder valve and fuel selector switch, and disconnect the cylinder.

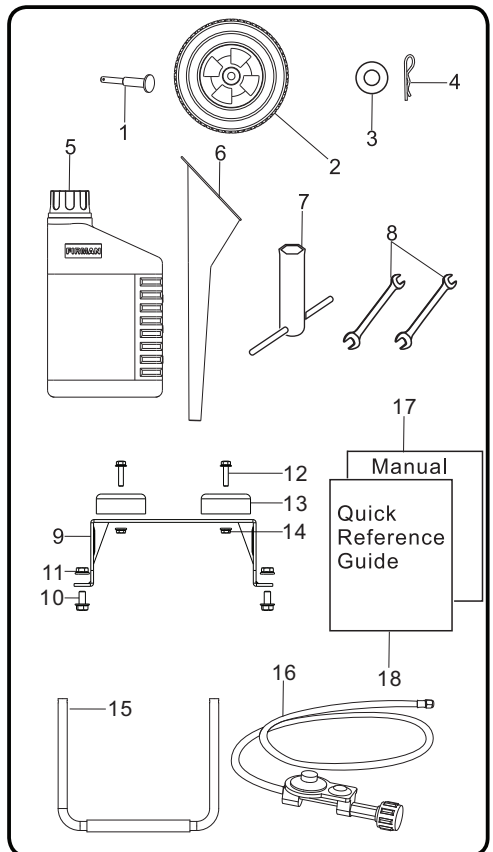
**UNPACKING THE GENERATOR**

- Open carton and Remove packaging materials.
- Remove generator, accessories boxes, and literature from carton. If any items are missing or damaged, contact our product service department at 1-844-347-6261.

**Parts Included**

Your gasoline powered generator ships with the following parts:

1. Axle pin . . . . .	2
2. 10.0" in. Wheel . . . . .	2
3. Flat Washer . . . . .	2
4. Cotter pin . . . . .	2
5. Engine Oil(Bottle) . . . . .	1
6. Oil Funnel . . . . .	1
7. Wrench for Spark plug . . . . .	1
8. Double Open wrench (10mm & 12mm) . . . . .	2
9. Support Leg with Vibration Mounts . . . . .	1
10. Flange Bolt (M8x16 for Support Leg) . . . . .	2
11. Flange Lock Nut (M8) . . . . .	4
12. Flange Bolt M6X25 . . . . .	2
13. Rubber Support . . . . .	2
14. Flange Lock Nut (M6) . . . . .	4
15. Handle . . . . .	1
16. LPG Hose With Regulator 5 ft. (1.5 m) . . . . .	1
17. Manual . . . . .	1
18. Quick Reference Guide . . . . .	1



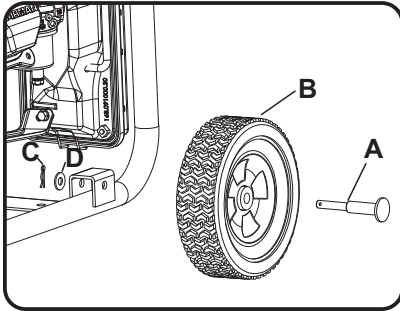
## ASSEMBLY

The generator requires some assembly prior to usage. If problems arise when assembling the generator, call 1-844-347-6261.

### Install the Wheel Kit

#### CAUTION

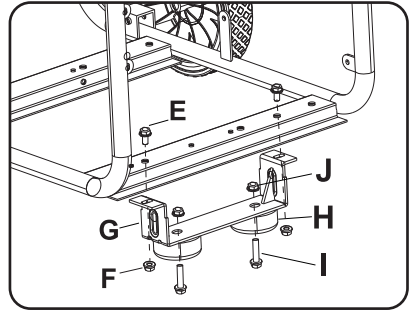
The wheel kit is not intended for over-the-road use.



1. Before adding wheels, tip the generator on its side.
2. Slide the axle pin **A** through the wheel **B**.
3. Slide the axle pin **A** through the mount point on the frame and flat washer **D**.
4. Secure the wheel and axle pin with the cotter pin **C**.
5. Repeat steps 2-4 to attach another wheel.

### Install the Support Leg

1. Attach the rubber support (**H**) to the support leg (**G**) with flange bolt (**I**) (M6X25) and flange lock nut (**J**) (M6).
2. Attach the support leg (**G**) to the generator frame with flange bolt (**E**) (M8X16) and flange lock nut (**F**) (M8).
3. Tip the generator slowly so that it rests on the wheels and support leg.
4. Tighten bolt **E** and nut **F** with provide wrenches.



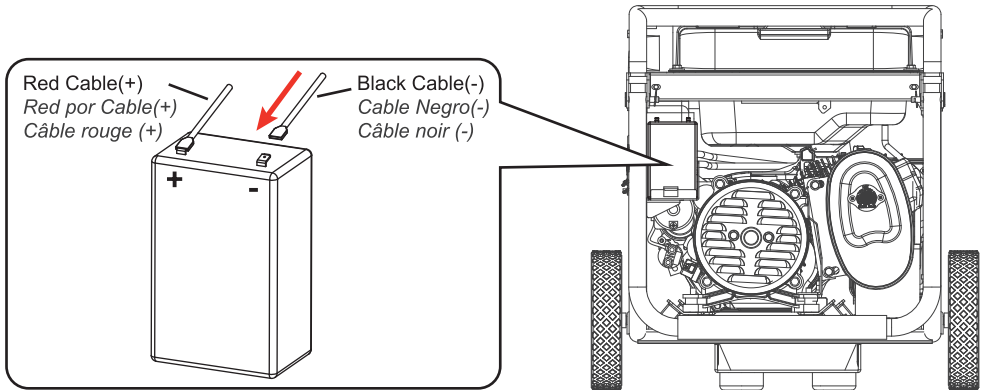
---

## Battery Cable Connection

### NOTE:

The generator comes equipped with the positive red cable (red cable) already attached.

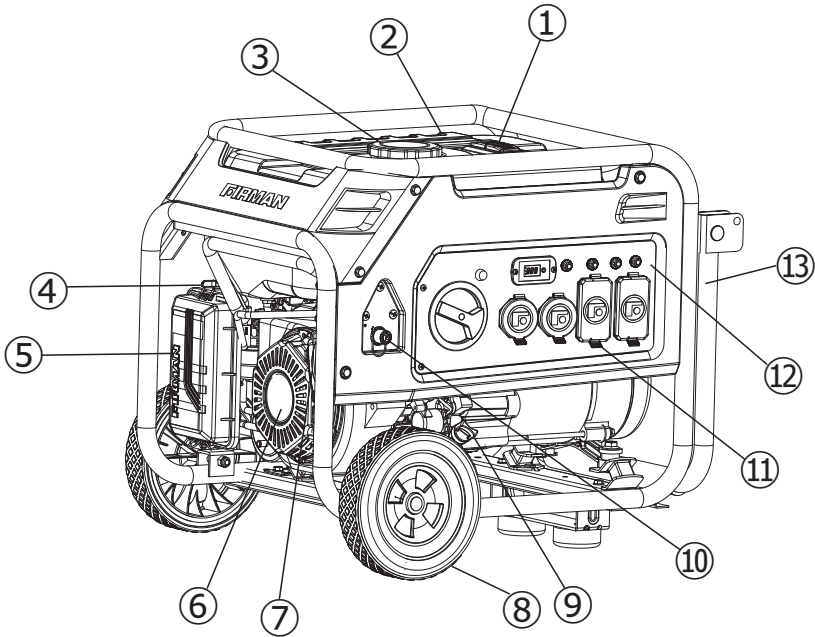
1. Verify the positive (+) red cable is securely tightened to the positive (+) terminal.
2. Connect the negative (-) black cable to negative (-) terminal on the battery.



---

## CONTROLS AND FEATURES

### Generator



**1- Fuel Gauge**

**2- 8.0 Gallon Capacity Fuel Tank**

**3- Fuel Cap**

**4- Choke Lever (behind air filter box)**

**5- Air Filter**

**6- 439cc FIRMAN OHV Engine**

**7- Recoil Starter**

**8- 10.0" Flat Free Wheel**

**9- Oil Filler Cap**

**10- LPG Hose Connector (Inlet)**

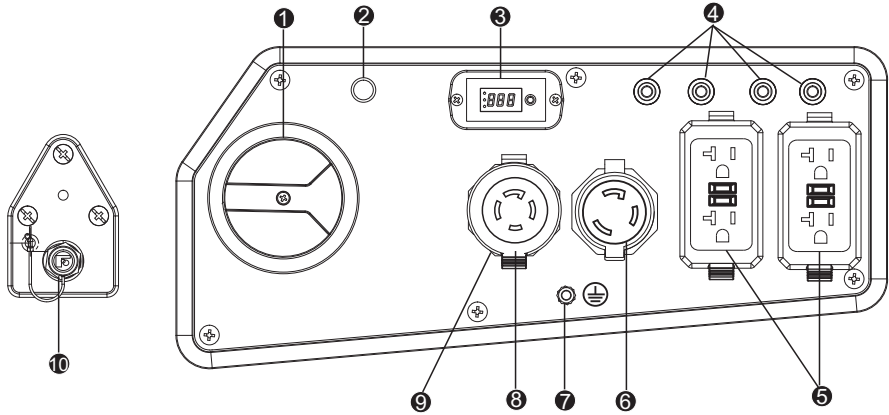
**11- Outlet Cover**

**12- Control Panel**

**13- Handle**

\*We are always working to improve our products. Therefore, the enclosed product may differ slightly from the image on this page.

# Control Panel



**NOTE: Total power drawn from all receptacles must not exceed the name plate rating.**

- 1 Fuel Selector Switch** – Use to select and turn on gasoline or LPG fuel source. Fuel (gasoline) valve is closed when the switch is on “OFF” or “LPG” positions. Engine switch is on when the switch is on “GAS” or “LPG” positions.
- 2 Indicator Light**  
When the fuel selector switch is turned to the “GAS” or “LPG” position, the indicator light will become **RED** up to **4 minutes**(before goes off). Starting the engine successfully during these **4 minutes** will turn the indicator light **GREEN**. **MUST HAVE SOLID RED INDICATOR LIGHT TO BE ABLE TO START THE GENERATOR. THE GENERATOR CANNOT BE STARTED DURING BATTERY POWER SAVING MODE UNLESS THE FUEL SELECTOR SWITCH IS TURNED TO THE “OFF” POSITION AND THEN TURNED BACK TO THE “GAS” OR “LPG” POSITION.** See **Indicator light-Battery power Saving Mode** section for more information.
- 3 3-1 Data-Minder(Multi-Meter)** – Push the SELECT button to show the Voltage, Hertz and running hours.
- 4 Circuit Breakers** – The receptacles are protected by an AC circuit protector. If the generator is overloaded or an external short circuit occurs the circuit protector will trip. If this occurs, disconnect all electrical loads and try to determine the cause of the problem before attempting to use the generator again. If overloading causes the circuit protector to trip, reduce the load. **Note: Continuous tripping of the circuit protector may cause damage to generator or equipment.** The circuit protector may be reset by pushing the button of the protector.
- 5 120V, 20A Duplex GFCI (Ground Fault Circuit Interrupter)** – (NEMA 5-20R)  
This receptacle is rated so that a total of 20 amps may be drawn regardless of whether both halves or just one receptacle is used.  
Ground Fault Circuit Interrupter conforms to UL 943, and NEC requirements. This device protects you against hazardous electrical shock that may be caused if your body becomes a path through which electricity travels to reach ground. This could happen when you touch an appliance or cord that is “live” through faulty mechanism, damp or worn insulation, etc.
- 6 120V, 30A Twist-Lock** – (NEMA L5-30R)  
Maximum full load 30 Amp current may be drawn from this 120 Volt receptacle.
- 7 Ground Terminal** – Consult an electrician for local grounding regulations.

- ⑧ **120/240V, 30A Twist-Lock** – (NEMA L14-30R)  
Maximum 30 Amp current may be drawn from this 120/240 Volt receptacle.
- ⑨ **Outlet Cover** - Protect the receptacles from dust and debris.
- ⑩ **LPG Hose Connector(Inlet)** – Used to connect LPG hose to generator.

## 120VAC, 20AMP GFCI RECEPTACLE

This unit is equipped with a ground fault circuit interrupter (GFCI). This device meets applicable federal, state and local codes .

A GFCI receptacle is different from conventional receptacles. In the event of a ground fault, a GFCI will trip and quickly stop the flow of electricity to prevent serious injury.

Definition: Instead of following its normal safe path, electricity passes through a persons body to reach the ground. For example, a defective appliance can cause a ground fault.

A GFCI receptacle does NOT protect against circuit overloads, short circuits, or shocks. For example, electric shock can still occur if a person touches charged electrical wires while standing on a non-conducting surface, such as a wood floor.

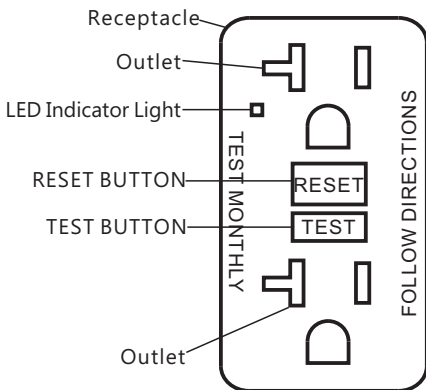
Testing the GFCI: Test the GFCI outlet every month as follows:

1. Plug a test lamp into the receptacle.
2. Start the generator, the test lamp should be on.
3. Press the "Test" button located on the front of the receptacle to trip the device.
4. This should stop the flow of electricity making the lamp shut off. The GFCI's indicator light comes off.
5. To restore the flow of electricity, press the "RESET" button on the front of the receptacle. If the GFCI does not perform in this manner, do not use the receptacle. Contact a local service dealer or costumer service.
6. This outlet is protected against overload by a 20A push-to-reset circuit breaker. Use the outlet to power 120V AC, single-phase, 60 Hz, electrical loads requiring up to a combined 2400 watts (2.4 kW) or 20 amps of current.

## SELF-TEST OPERATION

A Self-Test GFCI receptacle has all the features of a conventional GFCI receptacle. In addition, this receptacle tests itself periodically to confirm the GFCI electronics are functional. The Indicator Light will be solid green when the GFCI is powered from Line side and working correctly.

**Self-Test Indications:** If the Indicator Light is solid orange or flashing red a problem may exist. Press the TEST button to trip the GFCI. If unable to Reset, replace the GFCI.



## SPECIFICATIONS

Model	H05752
Starting Watts	7125(GASOLINE)/7125(LPG)
Running Watts	5700(GASOLINE)/5700(LPG)
Rated AC Voltage	120/240V
Rated Frequency	60Hz
Phase	Single
Voltage Regulator	AVR
Power Factor	1
Alternator Type	Brushed
Engine	FIRMAN
Engine Type	Single Cylinder, 4-Stroke OHV Air Cooled
Displacement	439cc
Low Oil Shutdown	Yes
Ignition System	Breakless Ignition Type, Flywheel Magneto
Starting System	Recoil
Fuel	Unleaded Automotive Gasoline/LPG
Capacity Fuel Tank	8.0 Gallon
Lubricating Oil Capacity	37.2 oz(1.1L)
Carburetor Type	Float
Air Cleaner	Polyurethane Type
P.T.O. Shaft Rotation	Counter Clockwise (Facing P.T.O.)
Oil Type	See "Add Engine Oil" Section

### AN IMPORTANT MESSAGE ABOUT TEMPERATURE:

Your Firman Power Equipment product is designed and rated for continuous operation at ambient temperatures up to 40°C (104°F). When your product is needed, your product may be operated at temperatures ranging from -15°C (5°F) to 50°C (122°F) for short periods. If the product is exposed to temperatures outside this range during storage, it should be brought back within this range before operation. In any event, the product must always be operated outdoors, in a well-ventilated area and away from doors, windows and other vents.

- When operated above 77°F(25°C) there may be a decrease in power.
- Maximum wattage and current are subject to and limited by such factors as fuel BTU content ambient temperature, altitude, engine condition and etc. Maximum power decreases about 3.5% for each 1,000 feet above sea level; and will also decrease about 1% for each 10°F(6°C) above 60°F(16°C) ambient temperature.

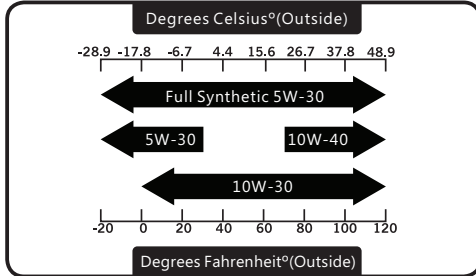
## ADD ENGINE OIL

### CAUTION

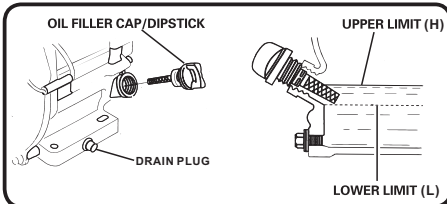
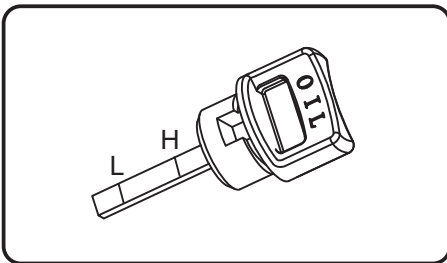
DO NOT attempt to crank or start the engine before it has been properly filled with the recommended type and amount of oil. Damage to the generator as a result of failure to follow these instructions will void your warranty.

### NOTE:

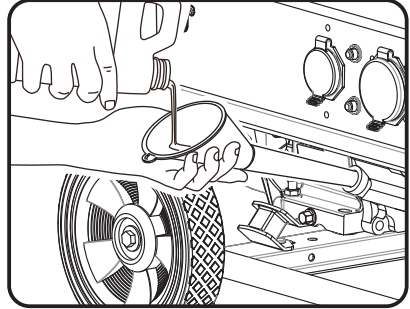
The recommended oil type is 10W-30 automotive oil. However outdoor temperatures determine the space proper oil viscosity for the engine. Use the chart to select the best for the outdoor temperature range expected.



1. Place generator on a flat, level surface.
2. Clean area around oil fill and remove yellow oil fill cap/dipstick.
3. Wipe dipstick clean.



4. Using oil funnel, slowly pour contents of provided oil bottle into oil fill opening to the "H" mark on dipstick. Be careful do not overfill. Overfilling with oil could cause the engine to not start or hard starting.



5. Replace oil fill cap/dipstick and fully tighten.
6. Oil level should be checked prior to each use or at least every 8 hours of operation. Keep oil level maintained.

### CAUTION

The engine is equipped with a low oil shut-off and will stop when the oil level in the crankcase falls below the threshold level.

### NOTE:

We consider the first 5 hours of run time to be the break-in period for the unit. During the break in period stay at or below 50% of the running watt rating and vary the load occasionally to allow stator windings to heat and cool. Adjusting the load will also cause engine speed to vary and help seat piston rings.

### Low Oil Shutdown

The unit is equipped with a low oil shutdown. If the oil level becomes lower than required, the sensor will activate a warning device or stop the engine.

If generator shuts off and the oil level is within specifications, check to see if generator is sitting at an angle that forces oil to shift. Place on an even surface to correct this. If engine fails to start, the oil level may not be sufficient to deactivate low oil level switch. Make sure the sump is completely full of oil.



## ADD FUEL

### 1. Gasoline

Fuel must meet these requirements:

- Clean, fresh, unleaded gasoline.
- Use regular UNLEADED gasoline with the generator engine with a minimum 87 octane / 87 AKI (91 RON).

For high altitude use, see "Operation at High Altitude".

- Do not use gasoline with more than 10% alcohol such as E85 or ethanol.

**NOTE:** Avoid generator damage.

Failure to follow Operator's Manual for fuel recommendations voids warranty.

- DO NOT use unapproved gasoline such as E85.
- DO NOT mix oil in gasoline.
- DO NOT modify engine to run on alternate fuels.

### WARNING



Fuel and its vapors are extremely flammable and explosive which could cause burns, fire or explosion resulting in death, serious injury and/or property damage.

- Fill fuel tank outdoors.



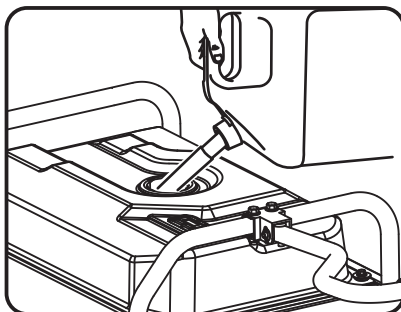
DO NOT overfill tank. Allow space for fuel expansion. If the tank is overfilled, fuel can overflow onto a hot engine and cause fire or explosion. Wipe up any spilled fuel immediately.

- If fuel spills, wait until it evaporates before starting engine.
- Keep fuel away from sparks, open flames, pilot lights, heat, and other ignition sources.
- Check fuel lines, tank, cap and fittings frequently for cracks or leaks. Replace if necessary.



DO NOT light a cigarette or smoke when filling the fuel tank.

1. Clean area around fuel fill cap, remove cap.
2. Slowly add unleaded fuel to fuel tank. Be careful not to fill above the red fuel level indicator. This allows adequate space for fuel expansion.
3. Install fuel cap and let any spilled fuel evaporate before starting engine or wipe up any spilled gasoline.



### CAUTION

- Slowly add unleaded gasoline to fuel tank.
- Do not overfill tank.
- Do not fill above the red line indicator. This will allow expansion in hot weather and prevent overflow.



**IMPORTANT:** It is important to prevent gum deposits from forming in fuel system parts such as the carburetor, fuel hose or tank during storage. Alcohol-blended fuels (called gasohol, ethanol or methanol) can attract moisture, which leads to separation and formation of acids during storage. Acidic gas can damage the fuel system of an engine while in storage. To avoid engine problems, the fuel system should be emptied before storage of 30 days or longer. See the " Long Term Storage" section. Never use engine or carburetor cleaner products in the fuel tank as permanent damage may occur.

### 2-Connecting Liquid Petroleum Gas (LPG/Propane) Cylinder

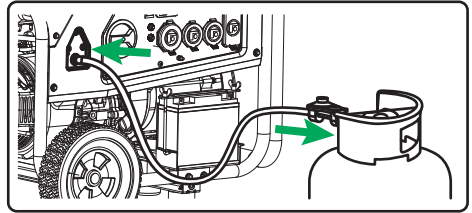
#### DANGER

- Liquid Petroleum Gas (LPG) is highly flammable and explosive. Fire or explosion can cause severe burns or death.
- Do not place the LPG cylinder in the path of muffler outlet.
- Do not use or store LPG cylinder in a building, garage or enclosed area.

- Do not check for leaks with a lighted match or flame.
- The LPG cylinder valve should be fully closed when the generator is not in use or is running with gasoline.
- If you smell gas: close off the gas supply. Make sure there is no leak before using the generator.

### **⚠ WARNING**

- Device used for handling LPG must be installed and used in strict conformance with NFPA 58 (Liquefied Petroleum Gas Code) and NFPA 54 (National Fuel Gas) and all other codes, regulations and manufacturer recommendations.
- Never use a gas container, LPG connector hose, LPG cylinder or any other fuel item that is damaged or appears damaged.
- The LPG cylinder valve should be fully closed when the generator is not in use or is running with gasoline.
- The regulator/hose assembly and cylinder valve must be inspected before each use for leaks or sign of damages.
- If you smell gas: close off the gas supply. Spray a soapy water solution to check all connections for leaks before attempting to use generator. Contact a qualified technician to inspect and repair the LPG system if a leak found before using the generator.
- Use only 20 or 30 lb capacity cylinders with Type 1, right hand Acme threads with this generator. Verify the re-qualification date on the tank has not expired. Do not use rusted or damaged cylinders.
- All new cylinders must be purged of air and moisture prior to filling. Used cylinders that have not been plugged or kept closed must also be purged. The purging process should be done by your propane gas supplier.
- Do not connect or disconnect the LPG cylinder in enclosed area.
- Do not install or replace the LPG cylinder near open flames, pilot lights, or sparking electrical equipment such as power tools, welders and grinders.



- Attach the LPG regulator/hose assembly (included) to the LPG hose connector (inlet) on the control panel of the generator. Tighten the nut with 19 mm or adjustable wrench.
- Remove the safety plug or cap from the cylinder valve.
- Attach the other end of the LPG regulator/hose assembly to the cylinder valve. Tighten the nut by hand clockwise to a positive stop. Do not use a wrench to tighten. Use of wrench may damage quick closing coupling nut and result in a hazardous condition.
- Do not use tape or any type sealant to seal the LPG hose connections.
- You must use the supplied regulator/hose assembly for safe operation.
- Always position the cylinder so the connection between the valve and the regulator won't cause bends or kinks in the hose.
- Spray a soapy water solution (one part liquid detergent and one part water) to check all connections for leaks before attempting to use generator. Slowly open the cylinder valve. A leak exists if bubbles appear or grow larger in size or number. This must be corrected before using the generator. Contact your local Authorized Service Facility for assistance. Do not attempt to make repairs yourself.
- Do not check for leaks with a lighted match or flame.
- Do not light or smoke cigarettes.
- Check the fuel system periodically for leaks or signs of damages.

### **⚠ CAUTION**

- LPG under pressure is highly flammable and can cause a fire or explosion if ignited.
- LPG is heavier than air and can accumulate in confined spaces and low places in the event of a leak.
- LPG has a distinctive odor to help detect potential leaks.
- Do not allow children to tamper or play with the LPG cylinder.

- LPG has a distinctive odor to help detect potential leaks.
- Do not allow children to tamper or play with the LPG cylinder.
- In the event of an LPG fire, flames should not be extinguished unless by doing so the fuel supply valve can be turned off. If the fire is extinguished and a supply of fuel is not turned off, an explosion hazard greater than the fire hazard could be created.
- Keep a fire extinguisher near the generator all the time.
- Always keep the LPG cylinder in an upright position.
- Do not subject LPG cylinder to excessive heat.
- Contact with liquid contents of the cylinder will cause freeze burns to the skin.
- An LPG cylinder not connected for use shall not be stored in the vicinity of the generator.
- When transporting and storing, turn off the cylinder valve and fuel selector switch, and disconnect the cylinder.

### 3-Permanent Connection to a large Propane supply tank:

In the instance that you would need to connect your generator to a large propane Supply tank, larger than 20 or 30 lb DOT cylinder, it is recommended to contact your Gas Equipment Company. Various equipment for use with LPG, is required for proper conformance to all NFPA regulations. Your Gas Equipment Company can help you select and install the proper regulator, fittings and connections to meet all the Codes and manufacturer regulations. Each installation may be different and will required proper equipment. Contact your Gas Equipment Company to assure that you are meeting all NFPA 58 (Liquefied Petroleum Gas Code) and NFPA 54 (National Fuel Gas) Codes.

### Operation at High Altitude

At altitudes over 5,000 feet(1524 meters), a minimum 85 octane / 85 AKI (89 RON) gasoline is acceptable.

The density of air at high altitude is lower than at sea level. Engine power is reduced as the air mass and air-fuel ratio decrease. Engine power and generator output will be reduced approximately 3.5% for every 1000 feet of elevation above sea level. This is a natural trend and cannot be changed by adjusting the engine. At high altitudes increased exhaust emissions can also result due to the increased enrichment of the air fuel ratio.

Other high altitude issues can include hard starting, increased fuel consumption and spark plug fouling. To alleviate high altitude issues other than the natural power loss, **FIRMAN** can provide a high altitude carburetor main jet. The alternative main jet and installation instructions can be obtained by contacting Customer Support. Installation instructions are also available in the Technical Bulletin area of the FIRMAN internet site. The part number and recommended minimum altitude for the application of the high altitude carburetor main jet is listed in the table below.

	439cc	Altitude
Altitude main jet 1	380717004	3000-6000Feet
Altitude main jet 2	380717005	6000-8000Feet

### WARNING

Operation using the alternative main jet at elevations lower than the recommended minimum altitude can damage the engine. For operation at lower elevations, the standard main jet must be used. Operating the engine with the wrong engine configuration at a given altitude may increase its emissions and decrease fuel efficiency and performance.

---

---

## Grounding

The National Electric Code requires your generator must be properly connected to an appropriate ground to help prevent electric shock.

### **WARNING**



Failure to properly ground the generator can result in electric shock.

A ground terminal connected to the frame of the generator has been provided on the control panel. For remote grounding, connect of a length of heavy gauge (12 AWG minimum) copper wire between the generator ground terminal and a copper rod driven into the ground. We strongly recommend that you consult with a qualified electrician to ensure compliance with local electrical codes.

**THERE IS A PERMANENT CONDUCTOR BETWEEN THE GENERATOR (STATOR WINDING) AND THE FRAME.**

## Connecting to a Building's Electrical System

Connections for standby power to a building's electrical system must be made by a qualified electrician. The connection must isolate the generator power from utility power or other alternative power sources and must comply with all applicable laws and electrical codes.

### **WARNING**



Generator voltage could cause electrical shock or burn resulting in death or serious injury.

- Use approved transfer equipment to prevent backfeed by isolating generator from electric utility workers.
- When using generator for backup power, notify utility company.
- Use a ground fault circuit interrupter (GFCI) in any damp or highly conductive area, such as metal decking or steel work.
- DO NOT touch bare wires or receptacles.
- DO NOT use generator with electrical cords which are worn, frayed, bare or otherwise damaged.
- DO NOT operate generator in the rain or wet weather.
- DO NOT handle generator or electrical cords while standing in water, while barefoot, or while hands or feet are wet.
- DO NOT allow unqualified persons or children to operate or service generator.

## 5. OPERATION

### Generator Location

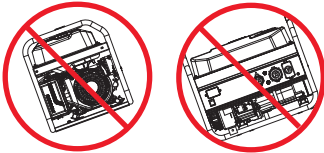
#### WARNING

Make sure you review each warning in order to prevent fire hazard.

- Keep area clear of inflammables or other hazardous materials.
- Select a site that is dry, well ventilated and protected from the weather.
- Keep exhaust pipe clear of foreign objects.
- Keep generator away from open flame.
- Keep generator on a stable and level surface.

#### CAUTION

Tilting can cause fuel spillage.



- Do not block generator air vents with paper or other material.

#### DANGER

Using a generator indoors **CAN KILL YOU IN MINUTES.**

Generator exhaust contains carbon monoxide. This is a poison you cannot see or smell.



**NEVER** use inside a home or garage, **EVEN IF** doors and windows are open.



**Only use OUTSIDE** and far away from windows, doors, and vents.

Avoid other generator hazards.  
**READ MANUAL BEFORE USE.**

#### WARNING

### POISONOUS GAS HAZARD.



Engine exhaust contains carbon monoxide, a poisonous gas that could kill you in minutes. You **CANNOT** smell it, see it, or taste it. Even if you do not smell exhaust fumes, you could still be exposed to carbon monoxide gas.

- Operate this product **ONLY** outside far away from windows, doors and vents to reduce the risk of carbon monoxide gas from accumulating and potentially being drawn towards occupied spaces.
- Install battery-operated carbon monoxide alarms or plug-in carbon monoxide alarms with battery back-up according to the manufacturer's instructions. Smoke alarms cannot detect carbon monoxide gas.
- **DO NOT** run this product inside homes, garages, basements, crawlspaces, sheds, or other partially-enclosed spaces even if using fans or opening doors and windows for ventilation. Carbon monoxide can quickly build up in these spaces and can linger for hours, even after this product has shut off.
- **ALWAYS** place this product downwind and point the engine exhaust away from occupied spaces. If you start to feel sick, dizzy, or weak while using this product, shut it off and get to fresh air **RIGHT AWAY**. See a doctor. You may have carbon monoxide poisoning.

### Surge Protection

#### CAUTION

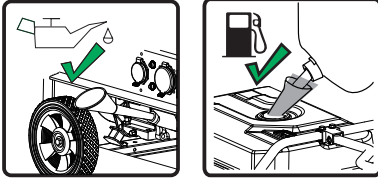
Voltage fluctuation may impair the proper functioning of sensitive electronic equipment.

Electronic devices, including computers and many programmable appliances use components that are designed to operate within a narrow voltage range and may be affected by momentary voltage fluctuations. While there is no way to prevent voltage fluctuations, you can take steps to protect sensitive electronic equipment.

Install UL1449, CSA-listed, plug-in surge suppressors on the outlets feeding your sensitive equipment. Surge suppressors come in single- or multi-outlet styles. They're designed to protect against virtually all short-duration voltage fluctuations.

## Starting the Generator (Gasoline)

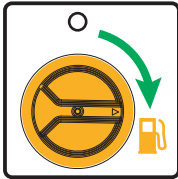
1. Before starting the generator, check for loose or missing parts and for any damage which may have occurred during shipment.
2. Check oil level and fuel(Gasoline).



3. Make sure the LPG cylinder knob is fully closed.

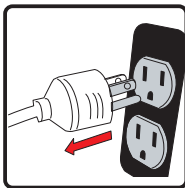


4. Turn the fuel selector switch to "GAS" position.

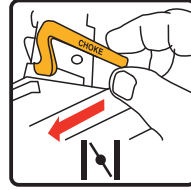


**NOTE:** When the fuel selector switch is turned to the "GAS" position, the indicator light will become **RED** up to **4 minutes**(before goes off). Starting the engine successfully during these **4 minutes** will turn the indicator light **GREEN**.

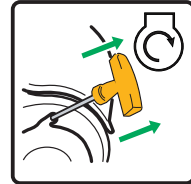
5. Disconnect all electrical loads from the generator. Never start or stop the generator with electrical devices plugged in or turned on.



6. Move choke lever located on engine to "START" position.

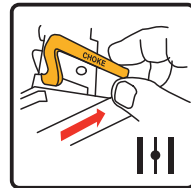


7. Pull the starter cord slowly until resistance is felt and then pull rapidly.



**REMINDER:** MUST HAVE **SOLID RED INDICATOR LIGHT** TO BE ABLE TO START THE GENERATOR. THE GENERATOR CANNOT BE STARTED DURING **BATTERY POWER SAVING MODE** UNLESS THE FUEL SELECTOR SWITCH IS TURNED TO THE "OFF" POSITION AND THEN TURNED BACK TO THE "GAS" POSITION. See **Indicator light-Battery power Saving Mode** section for more information.

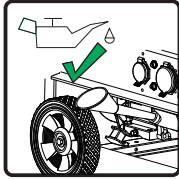
8. Do not over-choke. As soon as engine starts and warms up, move the choke lever to the "RUN" position.



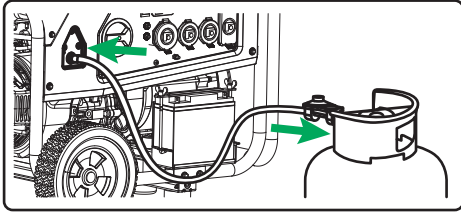
9. Allow generator to run at no load for few minutes upon each initial start-up to permit engine and generator to stabilize.

## Starting the Generator (LPG)

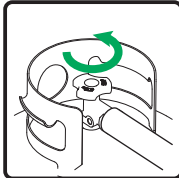
1. Before starting the generator, check for loose or missing parts and for any damage which may have occurred during shipment.
2. Check oil level .



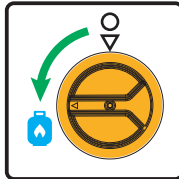
3. Connect the regulator to both LPG cylinder and generator.



**NOTE:** Do not place the LPG cylinder in the path of muffler outlet.  
4. Fully open the LPG cylinder knob.

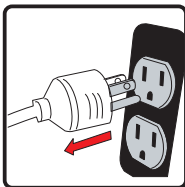


5. Turn the fuel selector switch to "LPG" position.



**NOTE:** When the fuel selector switch is turned to the "LPG" position, the indicator light will become **RED** up to **4 minutes** (before goes off). Starting the engine successfully during these **4 minutes** will turn the indicator light **GREEN**.

6. Disconnect all electrical loads from the generator. Never start or stop the generator with electrical devices plugged in or turned on.

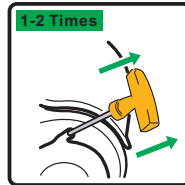


7. Move choke lever located on engine to "START" position.

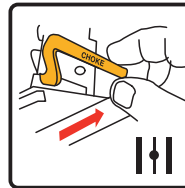


8. **PULL-TO-PRIME:**

Pull the starter cord 1-2 times. Pull slowly until resistance is felt and then pull rapidly.

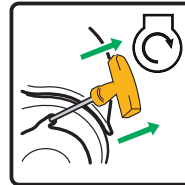


9. Move the choke lever to the "RUN" position.



10. **PULL-TO-RUN:**

Pull the starter cord slowly until resistance is felt and pull rapidly to run the unit.



If the engine fails to start in 1-2 pulls with choke in the "RUN" position, then move choke lever to "START" position and repeat the "PULL-TO-PRIME" step.

11. Allow generator to run at no load for few minutes upon each initial start-up to permit engine and generator to stabilize.

**REMINDER:** MUST HAVE **SOLID RED INDICATOR LIGHT** TO BE ABLE TO START THE GENERATOR. THE GENERATOR CANNOT BE STARTED DURING **BATTERY POWER SAVING MODE** UNLESS

THE FUEL SELECTOR SWITCH IS TURNED TO THE "OFF" POSITION AND THEN TURNED BACK TO THE "LPG" POSITION.

See **Indicator light-Battery power Saving Mode** section for more information.

### **WARNING**



Starter cord kickback (rapid retraction) will pull hand and arm toward engine faster than you can let go which could cause broken bones, fractures, bruises, or sprains resulting in serious injury.

When starting engine, pull cord slowly until resistance is felt and then pull rapidly to avoid kickback.

### **NOTE:**

Keep choke lever in "START" position for only 1 pull of the recoil starter. After first pull, move choke lever to the "RUN" position for up to the next 3 pulls of the recoil starter. Too much choke leads to sparkplug fouling/engine flooding due to the lack of incoming air. This will cause the engine not to start.

### **NOTE:**

If engine starts after 3 pulls but fails to run, or if unit shuts down during operation, make sure unit is on a level surface and check for proper oil level in crankcase. This unit may be equipped with a low oil protection device. If so, oil must be at proper level for engine to start.

## **Connecting Electrical Loads**

This unit has been pretested and adjusted to handle its full capacity. Before starting the generator, disconnect all load. Apply load only after generator is running. Voltage is regulated via the engine speed adjusted at the factory for correct output. Readjusting will void warranty.

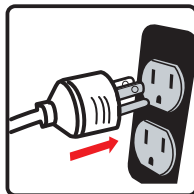
### **CAUTION**

When applying a load, do not exceed the maximum wattage rating of the generator when using one or more receptacles. Also, do not exceed the amperage rating of any one receptacle.

Do not apply heavy electrical load during break-in period (the first five hours of operations).

1. Let engine stabilize and warm up for a few minutes after starting.
2. Ensure circuit breaker on control panel is in on position.

3. Plug in and turn on the desired 120 Volt AC, single phase, 60Hz electrical loads. It is better to attach the item with largest load first.

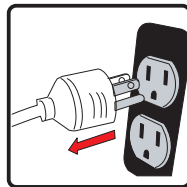


### **NOTE:**

Connecting a generator to your electric utility company's power lines or to another power source may be against the law. In addition this action, if done incorrectly, could damage your generator and appliances and could cause serious injury or even death to you or a utility worker who may be working on nearby power lines. If you plan to run a portable electric generator during an outage, please notify your electric utility company immediately and remember to plug your appliances directly into the generator. Do not plug the generator into any electric outlet in your home. Doing so could create a connection to the utility company power lines. You are responsible for ensuring that your generator's electricity does not feed back into the electric utility power lines. If the generator will be connected to a building electrical system, consult your local utility company or a qualified electrician. Connections must isolate generator power from utility power and must comply with all applicable laws and codes.

## **Stopping the Engine**

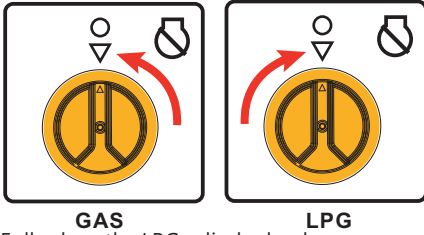
1. Turn off and remove entire electrical loads. Never start or stop the generator with electrical devices plugged in or turned on.



Let the generator run at no-load for two minutes to stabilize internal temperatures of the engine and generator.



2. Turn the fuel selector switch to **OFF (O)** position.



3. Fully close the LPG cylinder knob.



If a cover is used, do not install until unit has cooled.

**NOTE:** Disconnect the LPG cylinder from the generator during transportation.

#### **WARNING**



Fuel and its vapors are extremely flammable and explosive which could cause burns, fire or explosion resulting in death, serious injury and/or property damage.

DO NOT stop engine by moving choke control to **"START"** position.

**Important:** Always ensure that the fuel selector switch is in the **"OFF"** position when the engine is not in use.

#### **NOTE:**

If the engine will not be used for a period of two weeks or longer, please see the Storage section for proper engine and fuel storage.

### **Indicator light - Battery Power Saving Mode**

This generator is equipped with an electronic module which consumes battery power. When the fuel selector switch is turned to the **"GAS"** or **"LPG"** position, the indicator light will become **RED** up to **4 minutes** (before goes off).

Starting the engine successfully during these **4 minutes** will turn the indicator light **GREEN**.

Starting the engine unsuccessfully or not attempting to start the engine at all during these **4 minutes** will switch generator to **Battery Power Saving Mode** in order to conserve and increase the life of battery. **MUST HAVE SOLID RED INDICATOR LIGHT TO BE ABLE TO START THE GENERATOR. THE GENERATOR CANNOT BE STARTED DURING BATTERY POWER SAVING MODE UNLESS THE FUEL SELECTOR SWITCH IS TURNED TO THE "OFF" POSITION AND THEN TURNED BACK TO THE "GAS" OR "LPG" POSITION.**

Unwanted Shutdown:

The indicator light will start **FLASHING** for **4 minutes** in the event of any unwanted shutdown such as low oil, running out of fuel (gasoline or LPG), or any other unwanted shutdown. This is a reminder that the generator is switching to **Battery Power Saving Mode**. The generator should be checked for any unwanted shutdown.

The generator cannot be started during or after the **4 minutes** of **FLASHING** mode unless the fuel selector switch is turned to the **"OFF"** position and then turned back to the **"GAS"** or **"LPG"** position.

#### **NOTE:**

This generator is equipped with an automatic battery charging circuit and the battery will receive a proper charge when the engine is running to keep the battery charged.

### **Low Oil Shutdown**

If the engine oil drops below a preset level, an oil switch will stop the engine. Check oil level with dipstick.

If oil level is between LOW and HIGH mark on dipstick:

1. DO NOT try to restart the engine.
2. Contact an Authorized FIRMAN Service Dealer.
3. DO NOT operate engine until oil level is corrected.

If oil level is below LOW mark on dipstick:

1. Add oil to bring level to HIGH mark.
2. Restart engine and if the engine stops again a low oil condition may still exist. DO NOT try to restart the engine.
3. Contact an Authorized FIRMAN Service Dealer.
4. DO NOT operate engine until oil level is corrected.

## Do Not Overload Generator

Overloading a generator in excess of its rated wattage capacity can result in damage to the generator and to connected electrical devices.

To prolong the life of your generator and attached devices, follow these steps to add electrical load:

1. Start the generator with no electrical load attached.
2. Allow the engine to run for several minutes to stabilize.
3. Plug in and turn on the first item. It is best to attach the item with the largest load first.
4. Allow the engine to stabilize.
5. Plug in and turn on the next item.
6. Allow the engine to stabilize.
7. Repeat steps 5-6 for each additional item.

### NOTE:

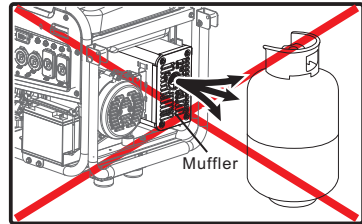
Observing frost on LPG cylinders and regulators is common during operation and normally is not an indication of a problem. As LPG vaporizes and travels from the tank to the generator engine it expands. The amount of frost that forms can be affected by the size of the cylinder, the amount of fuel being used, the humidity of the air and other operating conditions. In unusual situations this frost may eventually restrict the flow of LPG gas to the generator resulting in deteriorating performance. For example, if the tank temperature is reduced to a very low level then the rate at which the LPG vaporizes is also reduced and may not provide sufficient fuel flow to the engine. This is not an indication of a problem with the generator but only a problem with the flow of gas from the LPG cylinder. If generator performance seems to be deteriorating at the same time that ice formation is observed on tank valve, hose or regulator then some actions may be taken to eliminate this symptom. In these rare situations it can be helpful to reduce or eliminate the cold fuel system effects by doing one of the following:

- Exchanging fuel tanks to allow the first tank to warm up, repeating as necessary

- Placing the LPG cylinder at the end of the generator near the handle, where engine fan air flows out from the generator. This air is slightly heated by flowing over the engine.

### **⚠ DANGER**

THE LPG CYLINDER SHOULD NOT BE PLACED IN THE PATH OF THE MUFFLER OUTLET.



- The LPG cylinder can be temporarily warmed by pouring warm water over the top of the cylinder.

# MAINTENANCE AND STORAGE

## MAINTENANCE SCHEDULE

ITEM	NOTES	Daily(Before operation)	Initial 25 hours	Every 50 hours	Every 100 hours (or annual)
Spark Plug	Check condition. Adjust gap and clean. Replace if necessary.				✓
Engine Oil	Check oil level.	✓			
	Replace.		✓		✓
Air Filter	Clean, replace if necessary.			✓	
Fuel Filter	Clean fuel filter and fuel tank strainer. Replace if necessary.				✓
Fuel Line	Check fuel hose for cracks or other damage. Replace if necessary.	✓			
LPG Regulator /Hose Assy.	Check for damage and leaks. Replace if necessary.	✓			
Exhaust System	Check for leakage. Retighten or replace gasket if necessary.	✓			
	Check spark arrester screen. Clean/Replace if necessary.				✓
Carburetor	Check choke operation.	✓			
Starting System	Check recoil starter operation.	✓			
Fittings/ Fasteners	Check. Replace if necessary.				✓

### General Recommendations

Regular maintenance will improve the performance and extend the life of the generator. See any authorized dealer for service.

The generator's warranty does not cover items that have been subjected to operator abuse or negligence. To receive full value from the warranty, the operator must maintain the generator as instructed in this manual.

Some adjustments will need to be made periodically to properly maintain your generator.

All service and adjustments should be made at least once each season. Follow the requirements in the Maintenance Schedule chart above.

**Notice** Once a year you should clean or replace the spark plug and replace the air filter. New spark plugs and clean air filter assure proper fuel-air mixture and help your engine run better and last longer.

## ENGINE MAINTENANCE

To prevent accidental starting, remove and ground spark plug wire before performing any service.

### Change Engine Oil

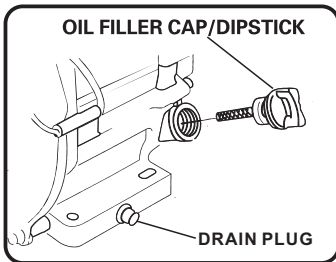
Change engine oil every 100 hours.  
(for a new engine, change oil after 25 hours.)

If you are using your generator under extremely dirty or dusty conditions, or in extremely hot weather, change the oil more often.

#### CAUTION

Avoid prolonged or repeated skin contact with used motor oil.

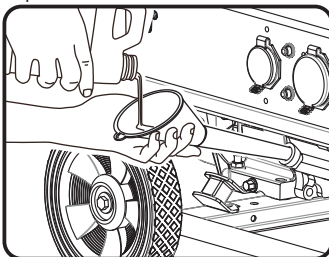
- Used motor oil has been shown to cause skin cancer in certain laboratory animals.
  - Thoroughly wash exposed areas with soap and water.
- (a) Drain oil by removing the drain plug and the oil filler cap while the engine is warm.



#### NOTE:

Please use a container to dump the used oil for protecting the environment.

(b) Reinstall the drain plug and fill the engine with oil until it reaches the HIGH(H) level on the oil filler cap.

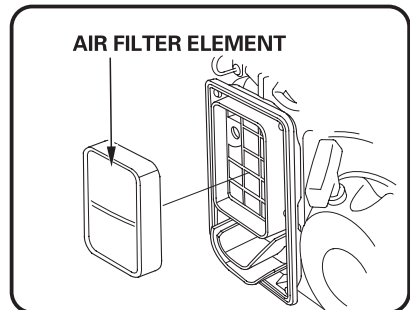
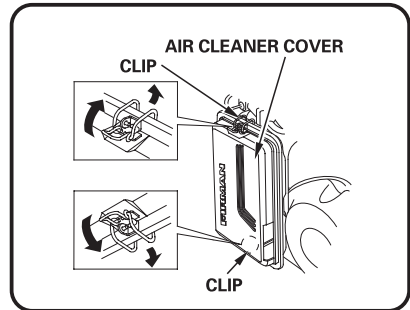


- Use fresh and high quality lubricating oil to the specified quantity.  
If contaminated or deteriorated oil is used or the quantity of the engine oil is not sufficient, the engine damage will result and its life will be greatly shortened.

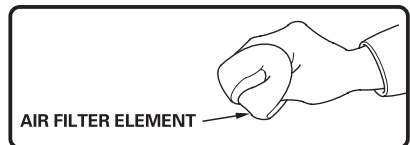
### Air Filter Maintenance

Maintaining an air filter in proper condition is very important. Dirt induced through improperly installed, improperly serviced, or inadequate elements damages and wears out engines. Always keep the element clean.

(a) Take out the air cleaner, clean it well in kerosene and dry it.



(b) After wetting the element by clean engine oil squeeze it tight by hand.

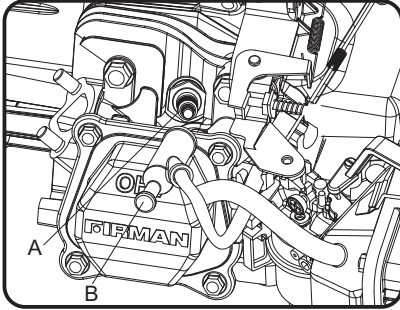


(c) Lastly, put the element in the case and install it securely.

## Spark Plug Maintenance

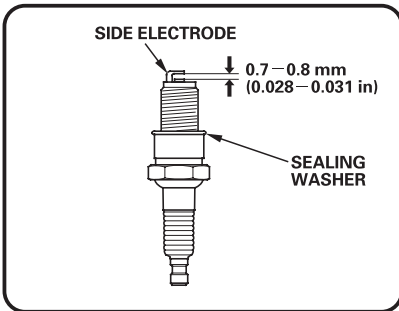
Changing the spark plug will help your engine to start easier and run better.

- (a) Remove the spark plug cap.
- (b) Remove spark plug using provided wrench.



A- Spark plug  
B- Spark plug cap

- (c) Inspect spark plug for damage and clean with a wire brush before reinstalling
- (d) Adjust the electrode gap to 0.7 to 0.8 mm (0.028" to 0.031").
- (e) Seat spark plug in position and thread by hand to prevent cross threading.
- (f) Tighten plug with provided wrench and put the cap back on spark plug.



SPARK PLUG: TORCH F6RTC  
NGK BPR6ES  
CHAMPION RN9YC or equivalent.

## Inspect Muffler and Spark Arrester

Inspect the muffler for cracks, corrosion, or other damage. Remove the spark arrester, if equipped, and inspect for damage or carbon blockage. If replacement parts are required, make sure to use only original equipment replacement parts.

### ⚠ WARNING



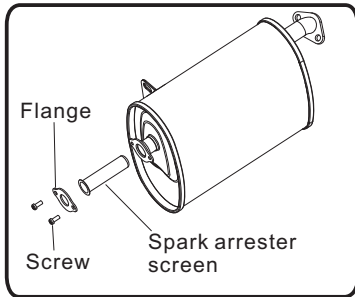
Exhaust heat/gases could ignite combustibles, structures or damage fuel tank causing a fire, resulting in death or serious injury and/or property. Contact with muffler area could cause burns resulting in serious injury.

- **DO NOT** touch hot parts and **AVOID** hot exhaust gases.
- Allow equipment to cool before touching.
- Keep at least 5 feet (1.5 m) of clearance on all sides of generator including overhead.
- Replacement parts must be the same and installed in the same position as the original parts.

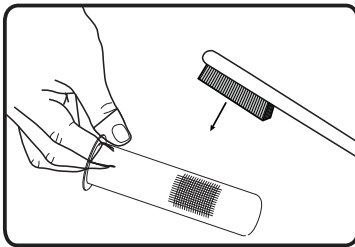
## Clean or replace spark arrester as follows:

Depending on the type fuel used, the type and amount of lubricant used, and/or your operating conditions, the exhaust part and muffler may become blocked with carbon deposits. If you notice power loss, you may need to remove these deposits to restore performance.

1. Allow the engine to cool completely before servicing the spark arrester.
2. Remove the screws securing the spark arrester in place and the remove it from muffler.



3. Carefully remove the carbon deposits from the spark arrester screen with a wire brush.



4. Replace the spark arrester if it is damaged.
5. Position the spark arrester in the muffler and attach with the screws.

### **CAUTION**

Failure to clean the spark arrester will result in degraded engine performance.

## **GENERATOR MAINTENANCE**

Make certain that the generator is kept clean and stored properly. Only operate the unit on a flat, level surface in a clean, dry operating environment. **DO NOT** expose the unit to extreme conditions, excessive dust, dirt, moisture or corrosive vapours.

### **CAUTION**

**DO NOT** use a garden hose to clean the generator. Water can enter the generator through the cooling slots and damage the generator windings.

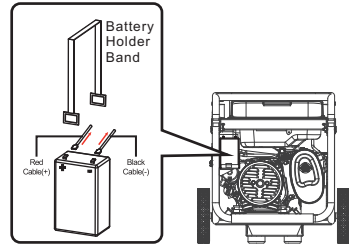
Use a damp cloth to clean exterior surfaces of the generator.

Use a soft bristle brush to remove dirt and oil.

Use an air compressor (25 PSI) to clear dirt and debris from the generator.

Inspect all air vents and cooling slots to ensure that they are clean and unobstructed.

## **Battery Replacement**



1. Disconnect the negative(-) black cable to negative(-) terminal on the battery and disconnect the positive(+) red cable to positive(+) terminal on the battery.
2. Remove the battery holder rubber band.
3. Remove the battery and recycle and dispose of properly.
4. Install the new battery with following specification:  
12V sealed lead acid 2.5AH  
LXWXH:80X70X105mm(3.15X2.75X4.13inch)
5. Reattach the battery holder rubber band.
6. Connect the red positive(+) battery cable to the battery first.
7. Connect the black positive(-) battery cable to the battery second.

### **WARNING**



**To avoid electric shock:**

**ALWAYS** connect the positive (+) battery cable (red boot) first when connecting battery cables.

**ALWAYS** disconnect the negative (-) battery cable (black boot) first when disconnecting battery cables.

**NEVER** connect the negative (-) battery cable (black boot) to the positive (+) post on the battery.

**NEVER** connect the positive (+) battery cable (red boot) to the negative (-) post on the battery.

**NEVER** touch both battery posts simultaneously.

**NEVER** place a metal tool across both battery posts.

**ALWAYS** use insulated or nonconducting tools when installing the battery.

## SERVICE AND STORAGE

### Infrequent Service

If the unit is used infrequently, difficult starting may result. To eliminate hard starting, follow these instructions:

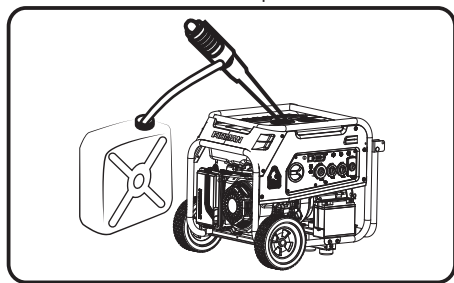
1. Run the generator at least 30 minutes every month.
2. Run the generator, then close the fuel shut-off valve and allow the unit to run until the engine stops.
3. Move the fuel selector to the "OFF" position.

### Long Term Storage

It is important to prevent gum deposits from forming in essential fuel system parts such as the carburetor, fuel hoses or tank during storage. Also, experience indicates that alcohol-blended fuels (called gasohol, ethanol or methanol) can attract moisture, which leads to separation and formation of acids during storage. Acidic gas can damage the fuel system of an engine while in storage.

When the generator set is not being operated, or is being stored for more than one month, follow these instructions to avoid engine problems:

- 1-**ADD** a properly formulated commercially **FUEL STABILIZER** to the tank if it is not already added.
- 2-Operate the engine for 5-10 minutes to circulate treated fuel into fuel lines and carburetor before shutdown.
- 3- After engine cools down, remove all gasoline from the fuel tank. Use a commercially available, non-conductive vacuum siphon.



### **⚠ DANGER**

**Drain fuel into approved container outdoors, away from open flame. Be sure engine is cool. Do not smoke.**

**4-FUEL STARVATION:** Turn fuel selector switch to "GAS" position. Start and run the generator until it stops from lack of gasoline. This will dry out all remaining gasoline in tank, fuel lines and carburetor. 5-Turn fuel selector switch to "OFF" position. Fully close the LPG cylinder knob if it is open and disconnect LPG cylinder from the generator. 6-Allow the unit to cool entirely before cleaning and storage.

7-Change oil with recommended grade oil. 8-Remove spark plug and pour about one teaspoon of engine oil through the spark plug hole, then pull the recoil starter several times to distribute the oil for lubricating the cylinder. Reattach the spark plug. Pull recoil slowly until resistance is felt. This will close the valves so moisture cannot enter engine cylinder. Gently release recoil starter. 9-Cover the unit and store in a clean, dry place out of direct sunlight. **NEVER USE WATER TO CLEAN GENERATOR.**

### Note:

- We recommend always using a fuel stabilizer. A **FUEL STABILIZER** will minimize the formulation of fuel gum deposits during storage, the fuel stabilizer can be added to the gasoline in the fuel tank, or into the gasoline in a storage container.
- If it is not practical to empty the fuel tank and the unit is to be stored for some time, use a commercially available **FUEL STABILIZER** added to the gasoline to increase the life of the gasoline. Run the unit for 5-10 minutes to circulate treated gasoline into the fuel lines and carburetor before shutdown. **DO NOT STORE GENERATOR WITHOUT FUEL STABILIZER IN FUEL SYSTEM INCLUDING TANK, FUEL LINES AND CARBURETOR.**
- Any damages or hazards caused by using improper fuel, improperly stored fuel, and/or improperly formulated stabilizers, are not covered by manufacturer's warranty.
- Do not store gasoline from one season to another season.

---

## Battery Charging & Maintenance

**The battery powers up the control module in this generator.** This product is equipped with an automatic battery charging circuit. The battery will receive charging voltage when the engine is running. The battery will maintain a proper charge if the unit is used on a regular basis (about once every two weeks). If it is used less frequently, the battery should be connected to a trickle charger (not included) or battery maintainer (not included) to keep the battery properly charged. If the battery voltage is extremely low, the charging circuit may not be able to re-charge the battery. In this case, the battery must be connected to a standard automotive style battery charger for re-charging before it can be used. When the battery is dead, generator can be run only on "GAS" position.

### **WARNING**

Generator exhaust contains odorless and colorless carbon monoxide gas.

To avoid accidental or unintended ignition of your generator during periods of storage, the following precautions should be followed:

When storing the generator for short or extended periods of time make sure that the fuel selector switch is in the "OFF" position and the battery leads have been disconnected from the battery.

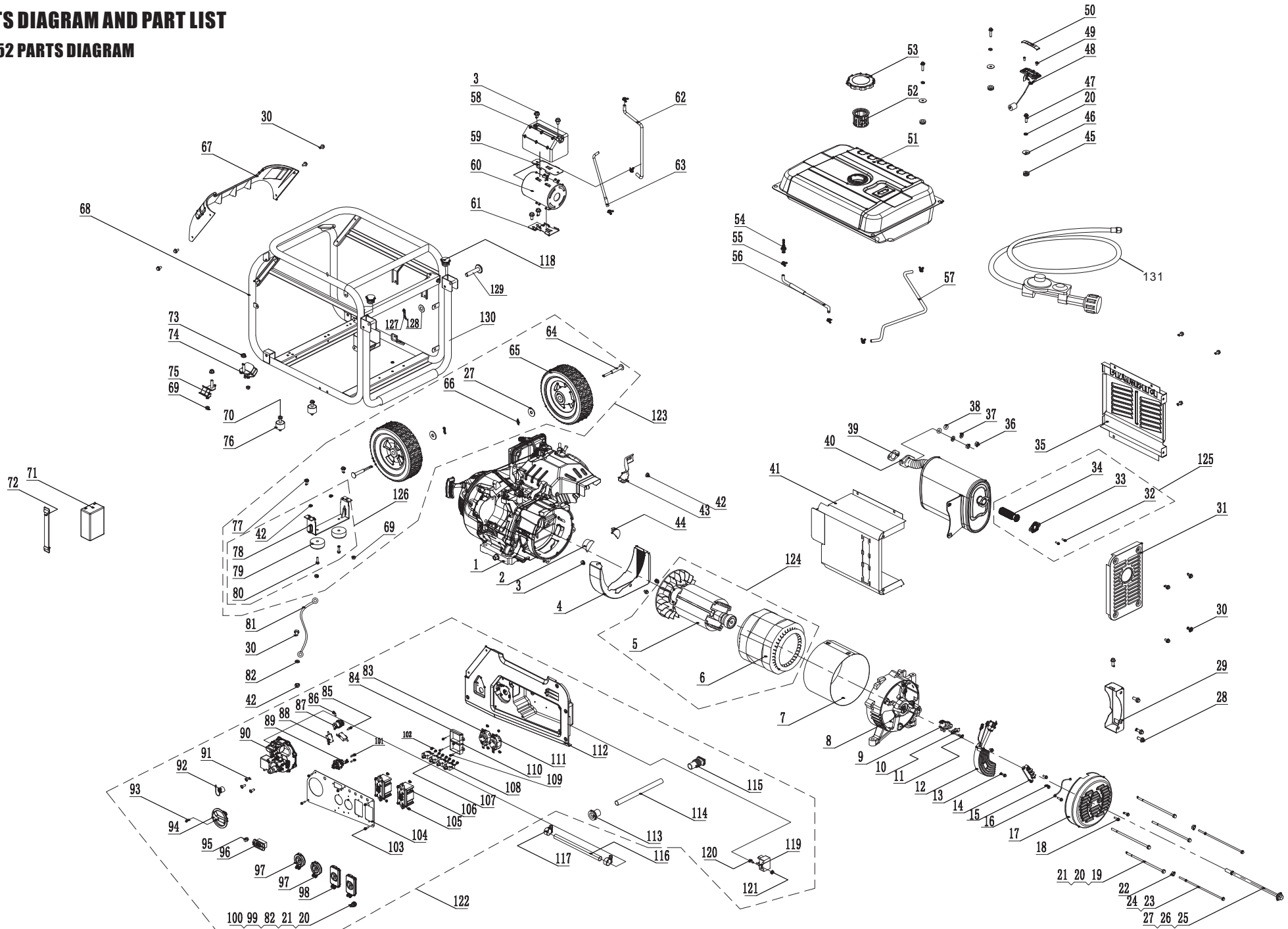


## TROUBLE SHOOTING

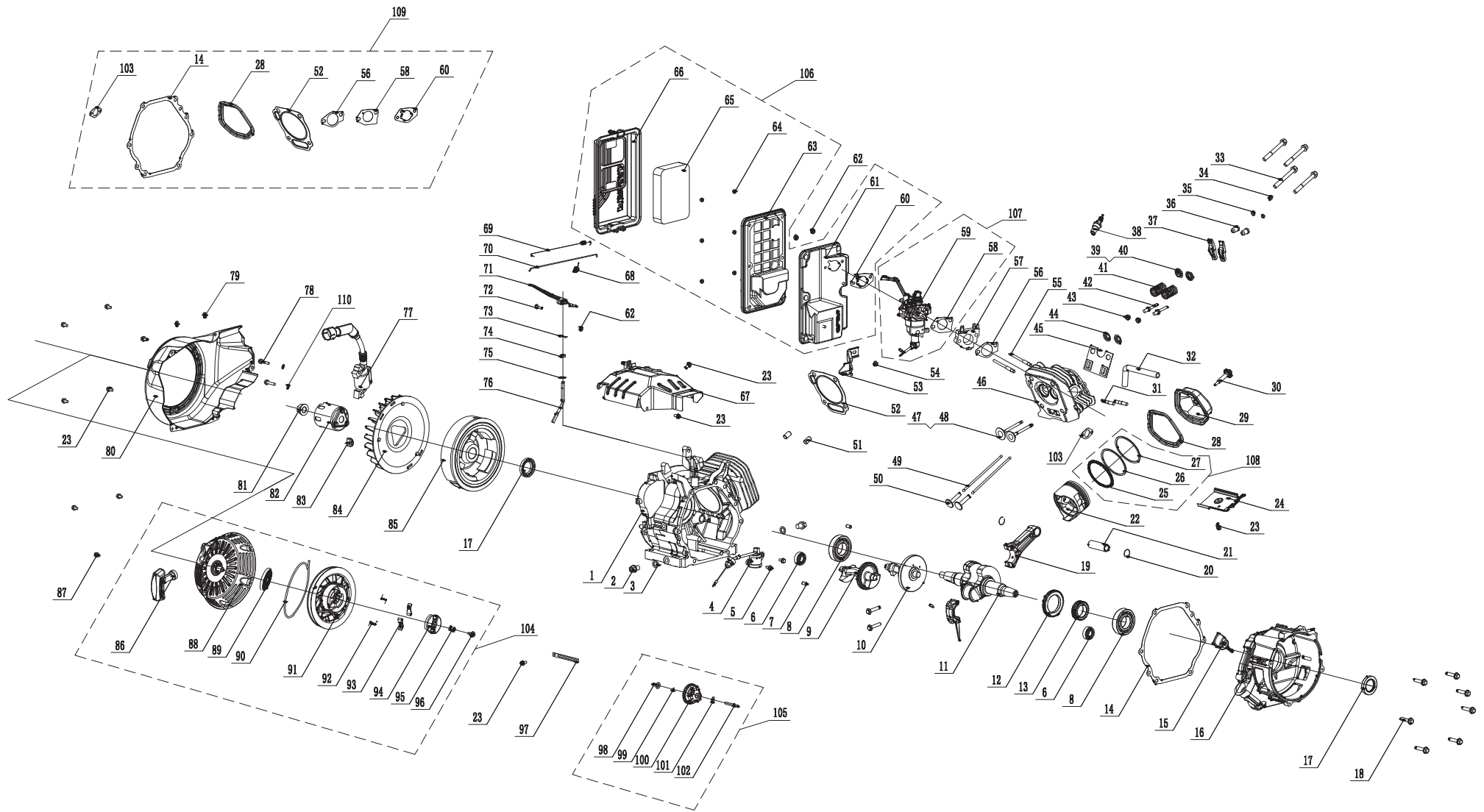
Problem	Cause	Correction
<b>Engine is running, but no AC output is available.</b>	<ol style="list-style-type: none"> <li>1. Circuit breaker is open.</li> <li>2. Fault in generator.</li> <li>3. Poor connection or defective cord set.</li> <li>4. Connected device is bad.</li> </ol>	<ol style="list-style-type: none"> <li>1. Reset circuit breaker.</li> <li>2. Contact authorized service facility.</li> <li>3. Check and repair.</li> <li>4. Connect another device that is in good condition.</li> </ol>
<b>Engine runs good at no-load but "bogs down" when loads are connected.</b>	<ol style="list-style-type: none"> <li>1. Short circuit in a connected load.</li> <li>2. Engine speed is too slow.</li> <li>3. Generator is overloaded.</li> <li>4. Shorted generator circuit.</li> <li>5. Clogged or dirty fuel filter.</li> </ol>	<ol style="list-style-type: none"> <li>1. Disconnect shorted electrical load.</li> <li>2. Contact authorized service facility.</li> <li>3. See Don't Overload Generator</li> <li>4. Contact authorized service facility.</li> <li>5. Clean or replace fuel filter.</li> </ol>
<b>Engine will not start; starts and runs rough or shuts down when running.</b>	<ol style="list-style-type: none"> <li>1. Fuel selector switch set to OFF (O) position.</li> <li>2. The indicator light is OFF or flashing red.</li> <li>3. Low oil level.</li> <li>4. Dirty air cleaner.</li> <li>5. Out of gasoline.</li> <li>6. Stale gasoline.</li> <li>7. Spark plug wire not connected to spark plug.</li> <li>8. Bad spark plug.</li> <li>9. Water in gasoline.</li> <li>10. Flooded.</li> <li>11. Excessively rich fuel mixture.</li> <li>12. Intake valve stuck open or closed.</li> <li>13. Engine has lost compression.</li> <li>14. Clogged or dirty fuel filter.</li> <li>15. Starting battery may have in sufficient charge.</li> <li>16. Out of LPG.</li> <li>17. LPG cylinder knob is not open.</li> <li>18. Out of battery Power.</li> </ol>	<ol style="list-style-type: none"> <li>1. Set fuel selector switch to "GAS" or "LPG" position.</li> <li>2. Must have solid red indicator light to be able to start the engine.</li> <li>3. Fill crankcase to proper level or place generator on level surface.</li> <li>4. Clean or replace air cleaner.</li> <li>5. Fill fuel tank with gasoline.</li> <li>6. Drain fuel tank and carburetor; fill with fresh gasoline.</li> <li>7. Connect wire to spark plug.</li> <li>8. Replace spark plug.</li> <li>9. Drain gas tank and carburetor; fill with fresh gasoline.</li> <li>10. Wait 5 minutes and re-crank engine.</li> <li>11. Contact authorized service facility.</li> <li>12. Contact authorized service facility.</li> <li>13. Contact authorized service facility.</li> <li>14. Clean or replace fuel filter.</li> <li>15. Check battery output and charge battery as necessary.</li> <li>16. Replace LPG tank.</li> <li>17. Fully open LPG cylinder knob.</li> <li>18. Start Engine in "GAS" position. Charge or replace battery.</li> </ol>
<b>Engine lacks power.</b>	<ol style="list-style-type: none"> <li>1. Load is too high.</li> <li>2. Dirty air filter.</li> <li>3. Clogged or dirty fuel filter.</li> <li>4. Clogged spark arrester.</li> </ol>	<ol style="list-style-type: none"> <li>1. Don't Overload Generator</li> <li>2. Replace air filter.</li> <li>3. Clean or replace fuel filter.</li> <li>4. Clean or replace spark arrester.</li> </ol>
<b>Engine "hunts" or falters.</b>	<ol style="list-style-type: none"> <li>1. Carburetor is running too rich or too lean.</li> <li>2. Clogged or dirty fuel filter.</li> </ol>	<ol style="list-style-type: none"> <li>1. Contact authorized service facility.</li> <li>2. Clean or replace fuel filter.</li> </ol>
<b>Engine shuts down when running.</b>	<ol style="list-style-type: none"> <li>1. Out of gasoline or LPG.</li> <li>2. Dirty air cleaner.</li> <li>3. Low oil level.</li> </ol>	<ol style="list-style-type: none"> <li>1. Fill fuel tank with gasoline or replace LPG tank.</li> <li>2. Clean or replace air cleaner.</li> <li>3. Fill crankcase to proper level or place generator on level surface.</li> </ol>

# PARTS DIAGRAM AND PART LIST

## H05752 PARTS DIAGRAM



# 439cc ENGINE PARTS DIAGRAM



## NO5752 PARTS LIST

NO.	Part Number	Description	Qty.	NO.	Part Number	Description	Qty.
1	357713593	FIRMAN 439cc Dual Fuel Engine	1	67	357713582	Plastic Front Cover	1
2	357713501	Rubber Cap B	1	68	357713583	Frame	1
3	336713528	Flange Bolt M6×8	5	69	336713558	Nut M8	6
4	357713573	Generator Wind Shield	1	70	357713584	Flange Bolt M8×35	2
5	357713574	Rotor Assy	1	71	336713838	Battery	1
6	357713575	Stator Assy	1	72	336713839	Battery Holder Band	1
7	380713503	Stator Cover	1	73	357713531	Nut M10	2
8	357713506	Generator End Cover	1	74	357713532	Isolator 2	1
9	357713507	Carbon Brush Assembly	1	75	357713533	Isolator 1	1
10	336713525	Carbon Brush Holder	1	76	357713585	Motor Mount	2
11	336713524	Bolt & washer Assemblies	1	77	336713559	Flange Bolt M8×16	4
12	357713508	AVR	1	78	357713538	Support Leg	1
13	336713519	Flange Bolt M5×16	2	79	336713557	Rubber, Support	2
14	336713523	Terminal Block	1	80	336713561	Flange Bolt M6×25	4
15	336713520	Bolt M5×16	2	81	336713514	Ground Wire	1
16	336713522	Ground Wire	1	82	336713516	External Star Washer Ø6	1
17	357713509	Generator End Cover Cap	1	83	336713601	Receptacle L14-30R	1
18	336713507	Flange Bolt M5×12	3	84	336713817	Control Module	1
19	336713511	Flange Bolt M6×179	4	85	336713819	Tapping Screw St2.9×19	2
20	336713512	Lock Washer Ø6	8	86	336713820	Tapping Screw St2.9×32	1
21	336713513	Washer Ø6	4	87	336713821	Micro Switch 1	1
22	336713577	Nut M5	2	88	336713822	Micro Switch 2	2
23	357713510	Side Cover Bolt M5×214	2	89	336713824	Fuel Valve	1
24	357713511	Lock Washer Ø5	2	90	336713823	Main Regulator Assy.	1
25	357713512	Flange Bolt M10×265	1	91	357713594	Screw M6×12	3
26	357713513	Lock Washer Ø10	1	92	336713826	LPG Inlet Cover	1
27	357713514	Washer Ø10	5	93	336713816	Screw M4×12	1
28	336713531	Flange Bolt M8×20	4	94	336713815	Fuel Selector Switch	1
29	357713515	Holder,Muff	1	95	336713828	Indicator Light	1
30	336713515	Flange Bolt M6×12	19	96	357713586	Multi Meter	1
31	357713516	Muffler Fixed Plate A	1	97	336713573	Outlet Cover L5-30R	2
32	336713538	Screw&washer Assy M5×14	2	98	357713541	Outlet Cover 5-20R GFCI	2
33	357713517	Holder,Spark Arrester	1	99	380713512	Bolt M6×22	1
34	336713536	Arrester,Spark	1	100	380713515	Nut M6	2
35	357713518	Muffler Fixed Plate B	1	101	336713830	Tapping Screw St4.8×20	2
36	336713534	Nut M8	2	102	336713569	Screw&washer Assy M4×8	8
37	336713509	Lock Washer Ø8	2	103	330713582	Screw&washer Assy M4×14	6
38	336713533	Flat Washer Ø8	2	104	357713595	Control Panel	1
39	357713520	Gskt.,ext.	1	105	336713568	Nut M4	8
40	357713576	Muff.,assy.	1	106	357713588	5-20R Duplex GFCI	2
41	357713523	Muffler Fixed Plate C	1	107	357713589	Circuit Breaker 24Amp	2
42	336713517	Nut M6	4	108	336713585	Circuit Breaker 20Amp	2
43	357713577	Air Filter Bracket	1	109	336713565	Screw M5×14	4
44	357713524	Rubber Cap A	1	110	336713818	Charger	1
45	336713542	Grommet, Fuel Tank	4	111	336713583	Receptacle L5-30R	1
46	336713543	Washer Tank Buffer	4	112	357713590	Control Box	1
47	336713544	Flange Bolt M6×20	4	113	357713545	Grommet	1
48	357713578	Fuel Gauge Assy.	1	114	357713546	Sleeve	1
49	336713546	Screw M5×10	2	115	357713548	Grommet	1
50	336713547	Fuel Gauge Display	1	116	357713591	LPG Hose	1
51	357713579	Fuel Tank Assy.	1	117	336713835	Metal Clamp (ø8-ø14)×b8	2
52	336713806	Fuel Filter, Wire Mesh	1	118	357713598	Waterproof Cover	2
53	336713549	Fuel Cap	1	119	336713643	VF Protection Module	1
54	336713807	Tank Fitting With Filter	1	120	330713502	Screw M5×20	1
55	336713540	Clamp Ø8×6	7	121	336713578	Nut M5	1
56	357713580	Hose,Fuel 1	1	122	357413511	Control Panel Assy.	1
57	357713581	Hose,Fuel 2	1	123	357413509	Wheel Kit	1
58	336713636	Carbon Canister Shield	1	124	357413510	Rotor And Stator Set	1
59	336713639	Carbon Canister Bracket	1	125	357413503	Spark Arrestor Kit	1
60	336713637	Carbon Canister	1	126	357413506	Support Leg Assembly	1
61	336713638	Carbon Canister Holder	1	127	336713590	Cotter Pin, Handle	2
62	380713532	Vapor Hose 1	1	128	336713844	Washer Ø8	2
63	380713533	Vapor Hose 2	1	129	357713596	Axle Pin, Handle	2
64	357713535	Axle Pin	2	130	357713597	Handle Assy.	1
65	357713592	Wheel	2	131	336713834	Regulator / Hose Assy.	1
66	357713536	Cotter Pin	2				

## FIRMAN 439cc Engine Parts List

NO.	Part Number	Description	Qty.
1	380723514	Crankcase Comp.	1
2	357723501	Bolt,drain	2
3	357723502	Washer,drain Bolt	2
4	357723503	Oil Level Sensor	1
5	357723504	Flg. Bolt M6×15	2
6	357723505	Bearing	2
7	336723501	Locating Pins	2
8	357723506	Bearing	2
9	357723507	Balance Shaft	1
10	357723508	Camshaft Comp	1
11	380723501	Crankshaft	1
12	357723510	Gear,crank Shaft	1
13	357723511	Gear,drive	1
14	357723512	Gskt.,crankcase Cover	1
15	357723513	Oil Dipstick Assy	1
16	357723514	Cover,crankcase	1
17	357723515	Oil Seal	2
18	357723516	Flg. Bolt M8×40	7
19	357723517	Conn., Rod Comp	1
20	357723518	Piston Pin Retainer Ring	2
21	357723519	Wrist Pin	1
22	380723502	Piston	1
23	336723503	Flange Bolt M6×12	8
24	357723521	Air Guide Lower	1
25	380723503	Ring,Oil	1
26	380723504	Ring, Second Piston	1
27	380723505	Ring,First Piston	1
28	357723525	Gasket, Valve Cover	1
29	357723526	Valve Cover Assy	1
30	357723527	Bolt	1
31	357723528	Exhaust Valves Stud Bolt	2
32	357723529	Breather Tube	1
33	357723530	Flg. Bolt M10×80	4
34	357723531	Rotator, Exhaust Valve	1
35	336723528	Locknut	2
36	336723529	Adjusting Nut, Valve	2
37	357723532	Valve Rocker	2
38	336723556	Spark Plug	1
39	357723533	Retainer, Intake Valve	1
40	357723534	Retainer, Exhaust Valve	1
41	357723535	Spring,Valve	2
42	336723537	Bolt,Rocker Arm	2
43	357723536	Oil Seal,Valve	2
44	357723537	Retainer, Valve	2
45	357723538	Guide Plate, Push Rod	1
46	380723506	Cylinder Head	1
47	380723507	Valve,In take	1
48	380723508	Valve, Exhaust	1
49	357723542	Push Rod	2
50	357723543	Lifter,Valve	2
51	357723544	Locating Pins	2
52	380723509	Gasket,cyl.head	1
53	357723546	Air Cleaner Holder	1
54	357723547	Nut M6	1
55	357723548	Air Intake Stud Bolt	2
56	357723549	Gskt., Insulator	1
57	357723550	Insulator, Carburetor	1
58	357723551	Gskt., Carburetor	1

NO.	Part Number	Description	Qty.
59	380723515	Carburetor	1
60	357723554	Gskt., Air Cleaner	1
61	357723555	Elbow, Air Cleaner	1
62	336723555	Nut M6	3
63	357723556	Clapboard	1
64	357723557	Nut M5	6
65	380723516	Element, Air Cleaner	1
66	357723559	Cover, Air Cleaner	1
67	357723560	Wind Guide, Top	1
68	357723561	Spring, Governor	1
69	357723562	Spring, Throttle Return	1
70	357723563	Rod, Governor	1
71	357723564	Arm, Governor	1
72	336723567	Bolt, Governor Arm	1
73	357723565	Pin, Shaft	1
74	357723566	Oil Seal	1
75	336723564	Rocker Shim	1
76	357723567	Shaft, Governor Arm	1
77	357723568	Ignition Coil	1
78	357723569	Flg. Bolt M6×29	2
79	336723606	Wire Clip	2
80	357723570	Fan Cover Comp	1
81	357723571	Nut, Shaft	1
82	357723572	Pulley, Starter	1
83	336723612	Sheath, Wire	1
84	380723511	Cooling Fan	1
85	380723517	Flywheel Comp	1
86	357723577	Grip, Starter	1
87	357723578	Flange Bolt M6×8	3
88	357723579	Case Comp.,recoil Starter	1
89	357723580	Spring,starter Return	1
90	357723581	Cord	1
91	357723582	Pulley, Recoil Starter	1
92	336723589	Spring, Patchet	2
93	336723590	Patchet, Starter	2
94	336723591	Pawl Guide	1
95	336723592	Clip Sprg.,Pawl Guide	1
96	336723593	Screw, Pawl Guide	1
97	330723528	Wire Clip	1
98	357723584	Bushing, Governor Gear	1
99	336723597	Clip, Governor Gear	1
100	357723585	Gear, Governor	1
101	336723595	Inner Washer, Gear	1
102	357723586	Gov.,gear Shaft	1
103	357713520	Gskt.,ext.	1
104	357423500	Recoil Starter Set	1
105	357423501	Governing Gear Set	1
106	357423508	Air Cleaner Set	1
107	357423509	Carburetor Set	1
108	380423501	Piston Rings Set	1
109	380423502	Gasket Set	1
110	336723615	Lock Washer	2

---

---

## SERVICE INFORMATION

### CONTACT THE FIRMAN PRODUCT SERVICE DEPARTMENT AT 1-844-347-6261

or at [www.firmangenerators.com](http://www.firmangenerators.com)  
to obtain warranty service  
information or to order  
replacement parts or  
accessories.

## HOW TO ORDER REPLACEMENT PARTS

Even quality built equipment such as the electric generator you have purchased might need occasional replacement parts to maintain it in good condition over the years. To order replacement parts, please give the following information:

1. Model No. ,Rev. Level and Serial No. and all specifications shown on the Model No./Serial No. plate.
2. Parts number or numbers as shown in the Parts List section.
3. A brief description of the trouble with the generator.

## REGISTER YOUR PRODUCT

Register your Firman generator online at [www.firmangenerators.com](http://www.firmangenerators.com)

## WARRANTY

### FIRMAN Three (3) Year Limited Warranty

#### Warranty Qualifications

FIRMAN GENERATOR will register the warranty upon receipt of your Warranty Registration Card and a copy of your sales receipt from one of FIRMAN's retail locations as proof of purchase. Please submit your warranty registration and your proof of purchase within ten (10) days of the date of purchase.

#### Repair/Replacement Warranty

FIRMAN warrants to the original purchaser that the mechanical and electrical components will be free of defects in material and workmanship for a period of one (1) year (parts and labor) and three (3) years (parts) from the original date of purchase 90 days [parts and labor] and 180 days [parts] for commercial & industrial use. Transportation charges on product submitted for repair or replacement under this warranty are the sole responsibility of the purchaser. This warranty only applies to the original purchaser and is not transferable.

#### Do Not Return the Unit to the Place of Purchase

Contact the FIRMAN Service Center and FIRMAN will troubleshoot any issue via phone or e-mail. If the problem is not corrected by this method, FIRMAN will, at its option, authorize evaluation, repair or replacement of the defective part or component at a FIRMAN Service Center. FIRMAN will provide you with a case number for warranty service. Please keep it for future reference. Repairs or replacements without prior authorization, or at an unauthorized repair facility, will not be covered by this warranty.

#### Warranty Exclusions

This warranty does not cover the following repairs and equipment:

##### Normal Wear

Your product needs periodic parts and service to perform well. This warranty does not cover repair when normal use has exhausted the life of a part or the equipment as a whole.

---

---

## Installation, Use and Maintenance

This warranty will not apply to parts and/or labor if your product is deemed to have been misused, neglected, involved in an accident, abused, loaded beyond the generator's limits, modified, installed improperly or connected incorrectly to any electrical component.

Normal maintenance is not covered by this warranty.

## Other Exclusions

This warranty excludes:

- cosmetic defects such as paint, decals, etc.
- wear items
- accessory parts
- failures due to acts of God and other force majeure events beyond the manufacturer's control
- problems caused by parts that are not original FIRMAN parts

## Limits of Implied Warranty and Consequential Damage

FIRMAN disclaims any obligation to cover any loss of time, use of this product, freight, or any incidental or consequential claim by anyone from using this product. THIS WARRANTY IS IN LIEU OF ALL OTHER WARRANTIES, EXPRESS OR IMPLIED, INCLUDING WARRANTIES OF MERCHANTABILITY OR FITNESS FOR A PARTICULAR PURPOSE.

A unit provided as an exchange will be subject to the warranty of the original unit. The length of the warranty governing the exchanged unit will remain calculated by reference to the purchase date of the original unit.

This warranty gives you certain legal rights which may change from state to state. Your state may also have other rights you may be entitled to that are not listed within this warranty.

## Contact Information

You may contact FIRMAN at:

### Address

Firman Power Equipment Inc.  
Attn: Customer Service  
8716 West Ludlow Dr. Suite #6  
Peoria, AZ 85381  
[www.firmangenerators.com](http://www.firmangenerators.com)

*We are FIRMAN POWER - And we are here for you.  
Customer Service Desk - 1-844-347-6261(1-844-FIRMAN1)  
6am PST(9am EST) until 8pm EST(5pm PST)  
Technical Service Desk - 1-844-347-6261(1-844-FIRMAN1)  
6am PST(9am EST) until 8pm EST(5pm PST)  
24/7 Tech Support - 1-844-347-6261(1-844-FIRMAN1)*

---

---

# **FIRMAN POWER EQUIPMENT INC.**

## **Emission Control System Warranty**

### **CALIFORNIA AND FEDERAL EXHAUST AND EVAPORATIVE EMISSIONS CONTROL WARRANTY STATEMENT GASOLINE ENGINES**

#### **YOUR WARRANTY RIGHTS AND OBLIGATIONS**

The California Air Resources Board, US Environmental Protection Agency ("US EPA") and FIRMAN POWER EQUIPMENT INC. (FIRMAN) are pleased to explain the exhaust and evaporative emissions control systems warranty on your 2016-2017 or later Small Off-Road Engine ("SORE") and engine powered equipment as applicable. In California and the USA, SORE and engine powered equipment must be designed, built and equipped to meet California as applicable. In California and the USA, SORE and engine powered equipment must be designed, built and equipped to meet California and US EPA stringent anti-smog standards. FIRMAN must warrant the emissions control systems on your SORE and engine powered equipment for the period listed below provided there has been no abuse, neglect or improper maintenance of your SORE or engine powered equipment. Your exhaust emission control systems may include parts such as carburetors, fuel-injection systems, the ignition system, and catalytic converters. Also included may be an evaporative emission control system which may include fuel tanks, fuel lines, fuel caps, valves, canisters, filters, vapor hoses, clamps, connectors, belts and other associated components. For engines less than or equal to 80 cc, only the fuel tank is subject to the evaporative emission control warranty requirements of this section (California only).

#### **OWNER'S WARRANTY RESPONSIBILITIES:**

As the SORE or engine powered equipment owner, you are responsible for the performance of the required maintenance listed in your owner's manual. FIRMAN recommends that you retain all receipts covering maintenance on your SORE or engine powered equipment, but FIRMAN cannot deny warranty solely for the lack of receipts.

As the SORE or engine powered equipment owner, you should however be aware that FIRMAN may deny you warranty coverage if your SORE or engine powered equipment or a part has failed due to abuse, neglect, improper maintenance or unapproved modifications.

You are responsible for presenting your SORE or engine powered equipment to a FIRMAN distribution or service center as soon as a problem exists. The warranty repairs should be completed in a reasonable amount of time, not to exceed 30 days. If you have a question regarding your warranty coverage, you should contact FIRMAN at 1-844-347-6261 or firmangenerators@sumec-na.com.

#### **GENERAL EMISSIONS WARRANTY COVERAGE**

This emission control system is warranted for three years. The warranty period begins on the date the engine or equipment is delivered to an ultimate purchaser. FIRMAN warrants to the ultimate purchaser and each subsequent purchaser that the engine is:

Designed, built, and equipped so as to conform with all applicable regulations adopted by the Air Resources Board and US EPA; and Free from defects in materials and workmanship that cause the failure of a warranted part to be identical in all material respects to the part as described in the engine manufacturers application for certification.

The warranty on emissions-related parts is as follows:

- (1) Any warranted part that is not scheduled for replacement as required maintenance in the owner's manual supplied, is warranted for the warranty period stated above. If any such part fails during the period of warranty coverage, the part will be repaired or replaced by FIRMAN at no charge to the owner. Any such part repaired or replaced under the warranty will be warranted for the remaining warranty period.
- (2) Any warranted part that is scheduled only for regular inspection in the owner's manual supplied, is warranted for the warranty period stated above. Any such part repaired or replaced under warranty will be warranted for the remaining warranty period.
- (3) Any warranted part that is scheduled for replacement as required maintenance in the owner's manual supplied, is warranted for the period of time prior to the first scheduled replacement point for that part. If the part fails prior to the first scheduled replacement, the part will be repaired or replaced by FIRMAN at no charge to the owner. Any such part repaired or replaced under warranty will be warranted for the remainder of the period prior to the first scheduled replacement point for the part.
- (4) Repair or replacement of any warranted part under the warranty must be performed at no charge to the owner at a warranty station.
- (5) Notwithstanding the provisions of Subsection (4) above, warranty services or repairs must be provided by FIRMAN that are franchised to service the subject engines.
- (6) The owner must not be charged for diagnostic labor that leads to the determination that a warranted part is in fact defective, provided that such diagnostic work is performed at a warranty station.
- (7) FIRMAN is liable for damages to other engine components proximately caused by a failure under warranty of any warranted part.
- (8) Throughout the emissions warranty period defined in Subsection (b)(2), FIRMAN will maintain a supply of warranted parts sufficient to meet the expected demand for such parts.
- (9) Any replacement part may be used in the performance of any warranty maintenance or repairs and must be provided without charge to the owner. Such use will not reduce the warranty obligations of the manufacturer.
- (10) Add-on or modified parts that are not exempted by the Air Resources Board may not be used. The use of any non-exempted add-on or modified parts by the ultimate purchaser will be grounds for disallowing a warranty claim.

The manufacturer will not be liable to warrant failures of warranted parts caused by the use of a non-exempted add-on or modified part.



---

---

## PARTS COVERED BY WARRANTY

Listed below are the parts (if equipped) covered by the Federal and California Emission Control Systems Warranty. Some parts listed below may require scheduled maintenance and are warranted up to the first scheduled replacement point for that part.

1. Ignition system including: <ul style="list-style-type: none"><li>- Spark plug</li><li>- Ignition coil</li></ul>	4. Air induction system including: <ul style="list-style-type: none"><li>- Intake pipe/manifold</li><li>- Air cleaner</li></ul>
2. Fuel metering system: <ul style="list-style-type: none"><li>- Fuel tank</li><li>- Fuel cap</li><li>- Fuel line and related fittings/clamps</li><li>- Carburetor assembly including internal parts and gaskets</li></ul>	5. Crankcase breather assembly including: <ul style="list-style-type: none"><li>- Breather connection tube</li></ul>
3. Catalytic muffler assembly including: <ul style="list-style-type: none"><li>- Exhaust manifold</li><li>- Catalytic converter</li><li>- Muffler gasket</li><li>- pulse valve</li></ul>	6. Fuel tank evaporative emission control system including: <ul style="list-style-type: none"><li>- Purge valves</li><li>- Carbon canister</li><li>- Vapor hoses and fitting/clamps</li></ul>

### Limitations

This Emission Control Systems Warranty shall not cover any of the following:

- (a) Consequential damages such as loss of time, inconvenience, loss of use of the engine or equipment, etc.
- (b) Diagnosis and inspection fees that do not result in eligible warranty service being performed.

FIRMAN POWER EQUIPMENT INC.  
firmangenerators@sumec-na.com  
www.firmangenerators.com

**Firman Power Equipment Inc.**  
8716 West Ludlow Dr. Suite #6  
Peoria, AZ 85381  
[www.firmangenerators.com](http://www.firmangenerators.com)

# FIRMAN<sup>®</sup>

## MANUAL PARA EL PROPIETARIO GENERADOR COMBUSTIBLE DUAL



MODELO N°  
**H05752**  
Nivel rev:00

**IMPORTANTE:** Lea detenidamente todas las instrucciones y precauciones de seguridad antes de operar con el equipo. Asegúrese de que el motor está parado y nivelado antes de realizar ningún mantenimiento o servicio.



Guarde la información del producto como referencia de consulta al realizar pedidos de piezas u obtener la cobertura de la garantía.



**NO LO DEVUELVA A  
LA TIENDA!**



LLÁMENOS PRIMERO!  
TELÉFONO DE ATENCIÓN AL CLIENTE  
1-844-347-6261

PARA CONSULTAS O INFORMACIÓN  
DEL SERVICIO

Número de serie: \_\_\_\_\_

Fecha de compra: \_\_\_\_\_

P/N:357745482 Rev:01

# Índice de Contenido

<b>Introducción</b> . . . . .	1	<b>Mantenimiento Y Almacenamiento.</b> . . . . .	25
<b>Precauciones De Seguridad</b> . . . . .	2	Programa de Mantenimiento . . . . .	25
<b>Desempaquetar El Generador.</b> . . . . .	7	Mantenimiento del Motor . . . . .	26
Piezas Incluidas. . . . .	7	Cambiar El Aceite Del Motor. . . . .	26
<b>Montaje.</b> . . . . .	8	Mantenimiento del Filtro De Aire. . . . .	26
Instalar El Equipo De Ruedas. . . . .	8	Mantenimiento de La Bujía. . . . .	27
Instalar La Pata De Apoyo. . . . .	8	Inspeccionar El Silenciador Y El	
Instalar La Manivela. . . . .	9	Apagachispas . . . . .	27
<b>Controles Y Características.</b> . . . . .	10	Mantenimiento del Generador . . . . .	28
Generador. . . . .	10	Cambio de batería. . . . .	28
Panel De Control. . . . .	11	Servicio Y Almacenamiento . . . . .	29
<b>Especificaciones.</b> . . . . .	13	<b>Solucion de Problemas</b> . . . . .	31
Añadir Aceite Al Motor . . . . .	14	<b>Diagrama de Las Piezas Y Lista de Piezas</b> . 32	
Apagado Por Bajo Nivel De Aceite . . . . .	14	Diagrama de Las Piezas(Generador) . . . . .	32
Añadir Combustible . . . . .	15	Diagrama de Las Piezas(Motor) . . . . .	33
Funcionamiento A Gran Altitud . . . . .	17	Lista de Piezas . . . . .	34
Toma de Tierra. . . . .	18	<b>Información de Servicio.</b> . . . . .	36
Sistema Electrico De Conexion a un		<b>Garantía.</b> . . . . .	36
Edificio. . . . .	18		
<b>Funcionamiento</b> . . . . .	19		
Ubicación del Generador . . . . .	19		
Protección Contra Sobrecargas . . . . .	19		
Encendido del Generador (Gasolina). . . . .	20		
Encendido del Generador (GLP). . . . .	20		
Conexión de Cargas Eléctricas. . . . .	22		
Parada del Motor . . . . .	22		
Indicador luminoso - Modo de ahorro de			
energía de la batería. . . . .	23		
Desconexión Por Nivel de Aceite Bajo . . . . .	23		
No Sobrecargue El Generador . . . . .	24		

# INTRODUCCIÓN

Muchas gracias por comprar el generador FIRMAN.

**Este manual contiene** información de seguridad para que usted tome conciencia de los peligros y riesgos asociados a los productos electrógenos y para saber cómo puede evitarlos. Este generador está diseñado y previsto solo para suministrar energía eléctrica para operar con iluminación, aparatos, herramientas y cargas de motor compatibles, y no está previsto para ningún otro propósito. Es importante que usted lea y entienda completamente estas instrucciones antes de intentar empezar a operar con este equipo.

**Guarde estas instrucciones originales para consultas futuras.**

Este manual incluye el funcionamiento y el mantenimiento de los generadores FIRMAN. Toda información incluida en esta publicación está basada en la información de producción más actualizada disponible en el momento de la aprobación para impresión. El fabricante se reserva el derecho a modificar, alterar o, de otro modo, mejorar el generador y esta documentación en cualquier momento sin ningún cambio previo.

## Información de Seguridad Importante

El fabricante no puede anticipar con posibilidad todas las circunstancias posibles que puedan implicar un peligro. Es decir, las advertencias en este manual y las etiquetas y pegatinas adheridas en la unidad no incluyen todas las posibilidades. Si usted sigue un procedimiento, un método de trabajo o una técnica de funcionamiento que el fabricante no recomienda específicamente, deberá confiar usted mismo de que ello es seguro para usted y para otros. Usted también debe asegurarse de que el método de trabajo y proceso o técnica de funcionamiento que elija no le aporta peligrosidad al generador.

### INFORMACIÓN DE SEGURIDAD



#### PELIGRO

PELIGRO indica una situación potencialmente peligrosa que, si no se evita, **RESULTARÁ** en muerte o lesión grave.



#### ADVERTENCIA

ADVERTENCIA indica una situación potencialmente peligrosa que, si no se evita, podría resultar en muerte o lesión grave.



#### PRECAUCIÓN

PRECAUCIÓN indica una situación potencialmente peligrosa que, si no se evita, podría resultar en una lesión humana menor o moderada, o en daños en la propiedad.



Gases tóxicos



Riesgo de descarga eléctrica



Peligro de incendio



Peligro de explosión



Superficie caliente.  
No tocar la superficie.



Peligro de entrelazamiento  
entre las piezas en rotación





Retroceso



Manual del Operario

## SAFETY PRECAUTIONS

<b>⚠ PELIGRO</b>	
Utilizar un generador en el interior PUEDE MATARLE EN CUESTIÓN DE MINUTOS. El tubo de escape del generador contiene monóxido de carbono. Se trata de un gas tóxico que no se ve ni se huele.	
	
<b>NUNCA</b> lo use en el interior de una casa o de un garaje, <b>INCLUSO SI</b> las puertas o las ventanas están abiertas.	Utilizar solo <b>EN EL EXTERIOR</b> y lejos de ventanas, puertas y conductos de ventilación.
Evitar otros peligros del generador. <b>LEA EL MANUAL ANTES DE USAR.</b>	

### ⚠ ADVERTENCIA

#### PELIGRO DE GAS TÓXICO



El tubo de escape del motor contiene monóxido de carbono, un gas tóxico que podría matarle en cuestión de minutos. Usted **NO PUEDE** olerlo, verlo ni notarlo al gusto. Incluso si usted no huele el gas del tubo de escape, podría seguir estando expuesto al gas del monóxido de carbono.

- Utilizar este producto **SOLO** en el exterior y lejos de ventanas, puertas y conductos de ventilación para reducir el riesgo de que el gas monóxido de carbono se acumule y sea conducido potencialmente hacia espacios ocupados.
- Instale alarmas de monóxido de carbono a batería o alarmas de monóxido de carbono con enchufe y con batería de seguridad según las instrucciones del fabricante. Las alarmas de humo no pueden detectar el gas de monóxido de carbono.
- **NO** haga funcionar este producto dentro de casas, garajes, sótanos, sótanos de poca altura, cobertizos u otros espacios parcialmente cerrados, aunque tenga ventiladores o puertas y ventanas abiertas para ventilar. El monóxido de carbono puede aumentar rápidamente en estos espacios y puede permanecer durante horas, incluso una vez apagado este producto.

- **SIEMPRE** coloque este producto en la dirección del viento y situando el tubo de escape del motor lejos de espacios ocupados. Si se empieza a encontrar mal, mareado o débil durante la utilización de este producto, apáguelo y salga a tomar aire fresco **INMEDIATAMENTE**. Visite a un médico. Usted podría haberse intoxicado por monóxido de carbono.

### ⚠ ADVERTENCIA

El tubo de escape del motor de este producto contiene sustancias químicas que según el Estado de California son conocidas por causar cáncer, malformaciones congénitas u otros daños reproductivos.

### ⚠ ADVERTENCIA

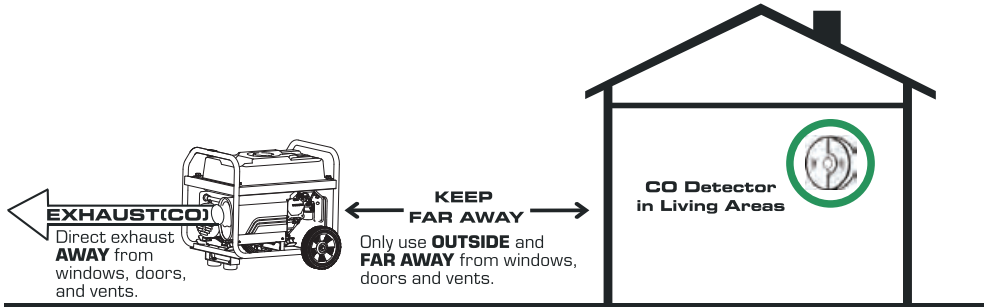
Ciertos componentes en este producto y accesorios relacionados contienen sustancias químicas que según el Estado de California son conocidas por causar cáncer, malformaciones congénitas u otros daños reproductivos. Lávese las manos antes de su manipulación.

- Si se empieza a encontrar mal, mareado o débil durante el uso del generador portátil, podría haberse intoxicado por monóxido de carbono. Salga a tomar aire fresco inmediatamente y llame al 911 para recibir atención médica de emergencia. Niveles muy altos de CO podrían provocar que las víctimas perdieran el conocimiento antes de poderse salvar. **NO** intente apagar el generador antes de salir a tomar aire fresco. Entrar en espacios cerrados donde un generador está o ha estado funcionando podría podenerle en un mayor riesgo de intoxicación por CO.

## USO CORRECTO

### Ubicación ejemplar para reducir los riesgos de intoxicación por monóxido de carbono

- ISOLO usarse en el exterior y en la dirección del viento, lejos de ventanas, puertas y conductos de ventilación.
- Direccionar el tubo de escape lejos de espacios ocupados.



## USO INCORRECTO

### No utilizar en ninguno de los lugares siguientes:

Cerca de una puerta, ventana o conducto de ventilación

Garaje

Sótano

Sótano de poca altura

Espacio habitado

Ático

Pasillo de acceso

Porche

Vestíbulo.



## **⚠️ ADVERTENCIA**



El retroceso del cable de arranque (retracción rápida) estirará la mano y el brazo hacia el motor muy rápido y antes de que usted lo pueda soltar, lo cuál podría causar huesos rotos, fracturas, moratones o esguinces, resultando en una grave herida.

- Cuando vaya a poner en marcha el motor, estire el cable poco a poco hasta que note resistencia, y entonces estire rápidamente para evitar el retroceso.
- **NUNCA** ponga en marcha o apague el motor con aparatos eléctricos enchufados y encendidos.

## **⚠️ ADVERTENCIA**



El combustible y su vapor son extremadamente inflamables y explosivos, y podrían provocar quemaduras, incendios o explosiones resultando en muerte o heridas graves, y en daños en la propiedad.

## **AÑADIR O VACIAR COMBUSTIBLE**

- Apague el motor y déjelo enfriar durante al menos 2 minutos antes de quitar el tapón del combustible. Afloje el tapón lentamente para atenuar la presión del depósito. Fill or drain fuel tank outdoors.
- Rellene o vacíe el depósito de combustible en un lugar exterior.
- **NO** llene demasiado el depósito. Deje espacio para la expansión del combustible.
- Si se vierte combustible espere hasta que se evapore antes de poner el motor en marcha.
- Mantenga el combustible lejos de chispas, llamas abiertas, luces piloto, calor y otras fuentes de ignición.
- Revise frecuentemente las líneas, el depósito, el tapón y el equipamiento del combustible y compruebe que no haya grietas o escapes. Reemplázelo si es necesario.
- **NO** encienda un cigarrillo ni fume.

## **PONER EN MARCHA EL EQUIPO**

- Asegúrese de que la bujía, el silenciador, el tapón del combustible y el limpiador de aire están en su sitio.
- **NO** gire el motor con la bujía quitada.

## **PONER EL EQUIPO EN FUNCIONAMIENTO**

- **NO** ponga en funcionamiento este producto dentro de un edificio, garaje abierto, porche, equipamiento móvil, aplicaciones marinas o recintos cerrados.
- **NO** incline el motor o el equipo hacia un ángulo que pueda hacer verter combustible.
- **NO** apague el motor girando el mando del estárter hacia la posición "Start" ("Encender")

## **TRANSPORTAR, MOVER O REPARAR EL EQUIPO**

- Transportar/mover/ reparar con el depósito de combustible VACÍO o con la válvula de interrupción de combustible apagada (OFF).
- **NO** incline el motor o el equipo hacia un ángulo que podría hacer verter combustible.
- Desconecte el cable de la bujía.

## **ALMACENAJE DE COMBUSTIBLE O DEL EQUIPO CON COMBUSTIBLE EN EL DEPÓSITO**

- Almacenar lejos de hornos, estufas, calentadores de agua, secadoras de ropa, u otros aparatos que puedan tener una luz piloto u otras fuentes de ignición, ya que podrían prender fuego al vapor del combustible.

## **⚠️ ADVERTENCIA**

- Este generador no cumple con el Reglamento de la Guarda Costera de los EUA 33CFR-183, y no debería utilizarse en aplicaciones marinas.
- La utilización de generadores no homologados por la Guarda Costera de los EUA, podría resultar en muerte o en heridas graves y/o daños de la propiedad.

## **⚠️ ADVERTENCIA**



El voltaje del generador podría causar descargas eléctricas o quemadas resultando en muerte o heridas graves.

- Utilice el equipo de transferencia homologado, y adaptado para el uso intencionado, con tal de prevenir retroalimentación por separar el generador de los operarios eléctricos.



- Cuando utilice el generador como energía de reserva, notifique a la empresa eléctrica.
- **No** usar un interruptor de circuito con falla a tierra (GFCI de las siglas en inglés) en ningún área húmeda o altamente conductora, como entablados de metal u obras de acero.
- **NO** tocar cables o receptáculos pelados.
- **NO** utilizar el generador con cuerdas eléctricas que estén gastadas, peladas o dañadas de algún modo.
- **NO** hacer funcionar el generador bajo la lluvia o con un clima húmedo.
- **NO** manipular el generador o cables eléctricos si se está encima del agua, con los pies descalzos o con las manos o los pies mojados.
- **NO** permitir a personal no calificado o niños que operen o sirvan el generador.

### **ADVERTENCIA**



El calor/gases del tubo de escape podrían prender fuego a combustibles, estructuras o depósito de combustible dañado, provocando un incendio y resultando en muerte o heridas graves y/o daños en la propiedad.

El contacto con el área del silenciador podría encenderse y resultar en daños graves.

- **NO** tocar las partes calientes y EVITAR los gases calientes del tubo de escape.
- Dejar que el equipo se enfríe antes de tocarlo.
- Se considera violación del Código de Recursos Públicos de California, Sección 4442, utilizar u operar el motor en cualquier terreno cubierto de árboles, de arbustos o de hierba, excepto si el sistema de escape está equipado con un parachispas, tal y como se describe en la Sección 4442, mantenido en perfecto funcionamiento. Otros estados o jurisdicciones federales pueden tener leyes similares. Contacte con el fabricante original, minorista, o distribuidor del equipo para obtener un parachispas diseñado para el sistema de escape instalado en este motor.
- El recambio de las piezas debe ser el mismo y estar instalado en la misma posición que las piezas originales.

### **ADVERTENCIA**



Chispas no intencionadas podrían provocar un incendio o una descarga eléctrica, resultando en muerte o heridas graves.

### **AJUSTAR O HACER REPARACIONES A SU GENERADOR**

- Desconecte el cable de la bujía de la bujía y coloque el cable donde no pueda haber contacto con la bujía.

### **HACER PRUEBAS PARA LAS CHISPAS DEL MOTOR**

- Utilice un tester para bujías apto
- **NO** revise si hay chispas cuando la bujía esté retirada.

### **ADVERTENCIA**



El interruptor de encendido y otras partes giratorias podrían enredarse con manos, pelo, ropa u otros accesorios, resultando en heridas graves.

- **NUNCA** haga funcionar el generador sin cubierta o sin tapas protectoras.
- **NO** lleve ropa holgada, joyas o nada que pueda atascarse en el interruptor de encendido o en otras partes giratorias.
- Átese los cabellos largos y quítese las joyas.

### **PRECAUCIÓN**

Velocidades de funcionamiento excesivamente altas podrían resultar en heridas menores. Velocidades de funcionamiento excesivamente bajas obligan a una carga pesada.

- **NO** altere el muelle gobernador, los enlaces u otras partes para incrementar la velocidad del motor. El generador suministra una frecuencia y voltajes correctamente evaluados cuando funcionan a una velocidad gobernada.
- **NO** modifique el generador de ninguna manera.

### **NOTA:**

Exceder la capacidad de potencia eléctrica/amperaje de los generadores podría dañar el generador y/o los dispositivos eléctricos conectados a él.

- **NO** exceda la capacidad de amperaje y potencia eléctrica del generador.
- Encienda el generador y deje que el motor se estabilice antes de conectar las cargas eléctricas.
- Conecte las cargas eléctricas en la posición de apagado (OFF), y luego enciéndalo (ON) para ponerlo en funcionamiento.
- Apague (OFF) las cargas eléctricas y desconéctelas del generador antes de interrumpir el generador.

## NOTA:

Un tratamiento inapropiado del generador podría dañarlo y acortarle la vida.

- Use el generador solo para los usos intencionados.
- Si tiene alguna duda sobre el uso intencionado, pregúntele o contacte con el centro de servicio local.
- Opere el generador solo en superficies niveladas.
- NO exponga el generador a humedad, polvo, suciedad o vapores corrosivos en exceso.
- NO inserte ningún objeto a través de las ranuras de refrigeración.
- Si los dispositivos conectados estuvieran recalentados, apáguelos y desconéctelos del generador.
- Apague el generador si:
  - Se ha perdido la potencia de salida eléctrica.
  - Si el equipo suelta chispas, humos o emana llamas.
  - Si la unidad vibra excesivamente.

## ADVERTENCIA

### Usos médicos y de soporte vital.

- En caso de emergencia, llame al 911 inmediatamente.
- NUNCA use este producto para dispositivos de soporte vital con potencia o a electrodomésticos de soporte vital.
- NUNCA use este producto para dispositivos médicos con potencia o electrodomésticos médicos.
- Informe a su suministrador eléctrico inmediatamente si usted o alguien de su familia depende de un equipo eléctrico para vivir.
- Informe a su suministrador eléctrico inmediatamente si una pérdida de potencia le causara a usted o a alguien de su familia una experiencia de emergencia médica.

## Seguridad de Combustible

### Gasolina:

## PELIGRO

LA GASOLINA Y LOS VAPORES DE GASOLINA SON ALTAMENTE INFLAMABLES Y EXPLOSIVOS.

Un incendio o explosión podría causar quemaduras graves o la muerte. Un encendido accidental podría resultar en entrelazamientos, amputaciones traumáticas o en laceraciones.

- La gasolina puede causar un incendio o explosión si se enciende.
- La gasolina es un combustible luido, pero sus vapores pueden encenderse.

- La gasolina es un irritante cutáneo y requiere ser limpiado inmediatamente en caso de verterse en la piel o la ropa.
- La gasolina tiene un olor distintivo, esto ayudara detectar rápidamente escapes potenciales.
- Si se produce un incendio de gasolina, las llamas no se deberían extinguir a menos que al hacerlo la válvula de suministro de combustible se pueda APAGAR. Esto es porque si se extingue el fuego y el suministro de combustible no está APAGADO, podría crearse el riesgo de explosión.
- La gasolina se expande o se contrae con la temperatura ambiente. Nunca rellene el depósito de gasolina hasta llenar su capacidad, ya que la gasolina necesita espacio para expandirse en caso de aumento de la temperatura.

### Gas Licuado del Petróleo (GLP/Propano):

Este generador es de doble combustible y puede funcionar con gasolina y con Gas Licuado del Petróleo (GLP/Propano).

## PELIGRO

- El Gas Licuado del Petróleo (GLP) es altamente inflamable y explosivo. Un fuego o explosión podría causar graves quemaduras o la muerte.
- No use o almacene el cilindro GLP en un edificio, garaje o área cerrada.
- No revise si hay fugas con una cerilla encendida o una llama.
- La válvula del cilindro GLP debería estar completamente cerrada cuando el generador no esté en uso o esté funcionando con gasolina.
- Si huele gas: apague el suministro de gas. Asegúrese de que no hay fugas antes de usar el generador.

## ADVERTENCIA

- El dispositivo usado para manipular el GLP debe estar instalado y debe ser usado en estricta conformidad con el NFPA 58 (Código de Gas Licuado de Petróleo) y el NFPA 54 (Gas Combustible Nacional) y todos los otros códigos, regulaciones y recomendaciones del fabricante.
- Never use a gas container, LPG connector hose, LPG cylinder or any other fuel item that is damaged or appears damaged.
- Nunca use un contenedor de gas, manguera conectora LPG, cilindro LPG o cualquier otro elemento de combustible que esté dañado o parezca dañado.
- La válvula del cilindro GLP debería estar completamente cerrada cuando el generador no esté en uso o esté funcionando con gasolina.

- Si huele gas: apague el suministro de gas. Rocíe con un spray una solución enjabonada para revisar todas las conexiones y ver si hay fugas antes de intentar usar el generador. Contacte con un técnico cualificado para examinar y reparar el sistema GLP en caso de que encuentre una fuga, antes de usar el generador.

## **⚠ PRECAUCIÓN**

- El GLP bajo presión es altamente inflamable y puede causar un incendio o explosión si se enciende.
- El GLP es más pesado que el aire y puede acumularse en espacios limitados y en lugares bajos, en el caso de una fuga.
- El GLP tiene un olor distintivo para ayudar a detectar posibles fugas.
- No permita que los niños alteren o jueguen con el cilindro GLP.
- En el caso de un incendio GLP, las llamas no deberían ser extinguidas a menos que haciéndolo se pueda apagar la válvula de suministro de combustible. Si el fuego se extingue y un suministro de combustible no está apagado, se podría crear peligro de explosión mayor que el peligro de incendio.
- Tenga siempre un extintor de incendios cerca del generador.
- Conserve siempre el cilindro GLP en posición vertical.
- No someta al cilindro GLP a un calor excesivo.
- El contacto con el contenido líquido del cilindro provocaría quemaduras congeladas a la piel.
- Un cilindro GLP no conectado para su uso no debería estar almacenado en las inmediaciones del generador.
- Durante el transporte y el almacenaje, apague la válvula del cilindro y el interruptor de selección de combustible, y desconecte el cilindro.

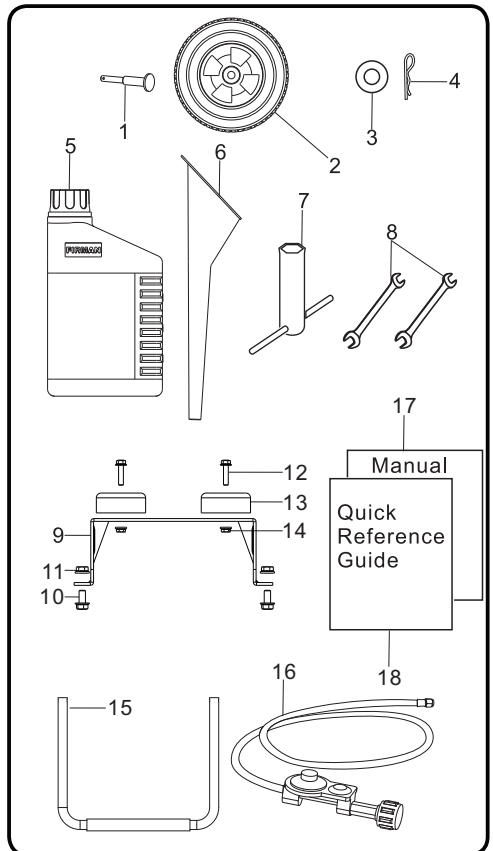
## **DESEMPAQUETAR EL GENERADOR**

- Abra la caja y retire los materiales del embalaje.
- Retire de la caja el generador, las cajas de los accesorios, y el libro. Si falta algún material o está dañado, contacte con nuestro departamento de servicio de producto al 1-844-347-6261.

## **Piezas incluidas**

Su generador de potencia de gasolina se envía con las siguientes piezas:

1. Sujetador del eje . . . . . 2
2. Rueda de 10.0" pulgadas . . . . . 2
3. Arandela plana . . . . . 2
4. Chaveta . . . . . 2
5. Aceite . . . . . 1
6. Embudo del aceite . . . . . 1
7. Llave inglesa para la bujía . . . . . 1
8. Llave en dos (10mm & 12mm) . . . . . 2
9. Pata de apoyo con soportes de vibración . . . 1
10. Tornillo para brida  
(M8 x 16 para Pata de apoyo) . . . . . 2
11. Contratuerca para brida (M8) . . . . . 4
12. Perno de brida M6X25 . . . . . 2
13. Soporte de caucho . . . . . 2
14. Tuerca de bloqueo de brida (M6) . . . . . 4
15. Manivela . . . . . 1
16. Manguera de LPG con regulador 1.5 m . . . 1
17. Manual . . . . . 1
18. Guía de referencia rápida . . . . . 1



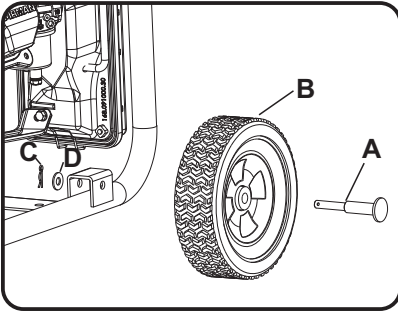
## MONTAJE

El generador requiere un cierto montaje antes de su uso. Si surgiera algún problema durante el montaje del generador, llame al 1-844-347-6261.

### Instalar el Equipo de Ruedas

#### **⚠ PRECAUCIÓN**

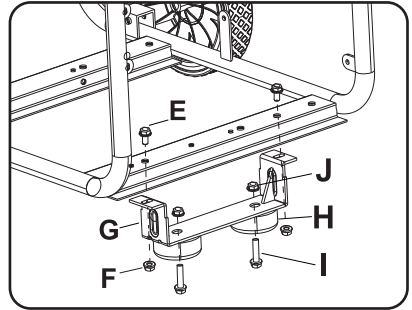
El equipo de ruedas no está previsto para un uso en carretera.



1. Antes de añadir las ruedas, gire el generador hacia un lado.
2. Deslice el sujetador del eje **A** a través de la rueda **B**.
3. Deslice el sujetador del eje **A** a través del punto de montaje en el marco y la arandela **D**.
4. Asegure bien la rueda y el sujetador del eje con la chaveta **C**.
5. Repita los pasos 2-4 para adjuntar la otra rueda.

### Instalar la Pata de Apoyo

1. Sujete el soporte de goma (**H**) a la pata de soporte (**G**) con el perno de brida (**I**) (M6X25) y la tuerca de bloqueo de brida (**J**) (M6).
2. Adjunte la pata de apoyo **G** al marco del generador con los tornillos para brida **E** (M8x16) y las contratuercas para brida **F** (M8).
3. Incline lentamente el generador para que se apoye sobre las ruedas y sobre la pata de apoyo.
4. Ajuste el tornillo **E** y la tuerca **F** con las llaves facilitadas.

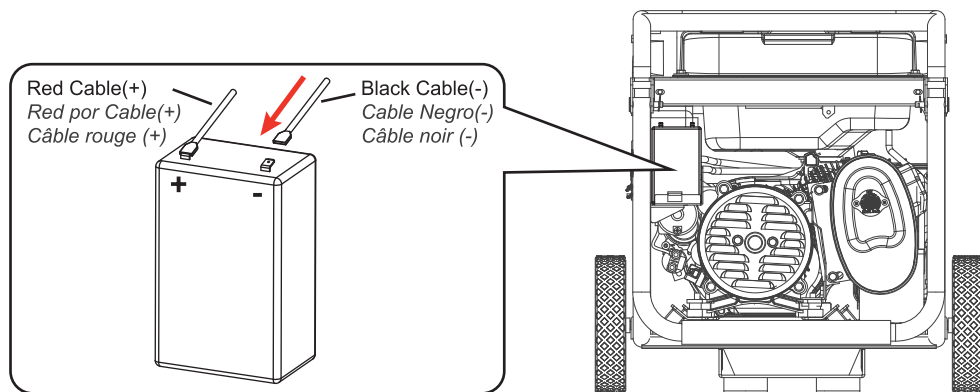


## Conexión del Cable de La Batería

### NOTA:

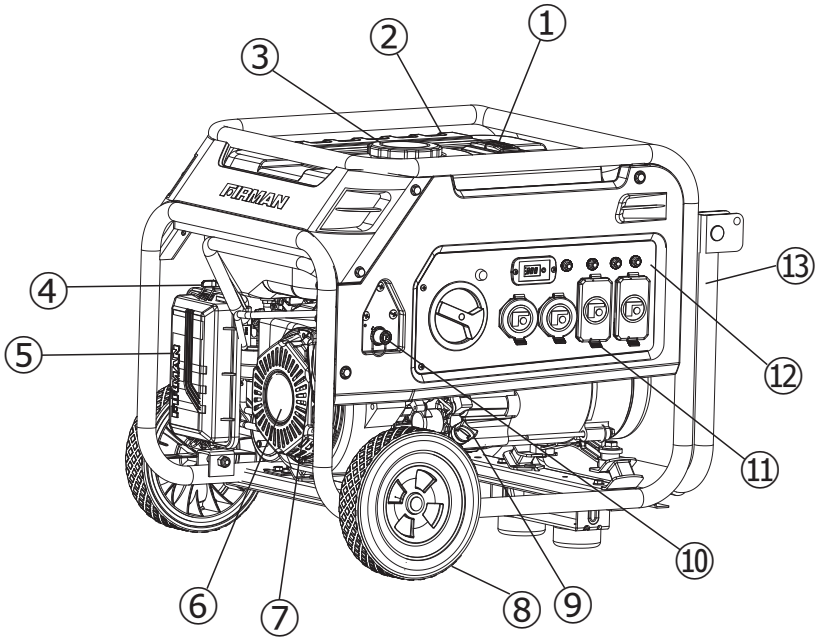
El generador viene equipado con el cable rojo positivo (caja roja) ya adjunto.

1. Compruebe el cable (+) positivo rojo está bien apretado al terminal positivo (+) del terminal.
2. Conectar el cable negativo (-) cable negro al negativo (-) de la batería.



## CONTROLES Y CARACTERÍSTICAS

### Generador

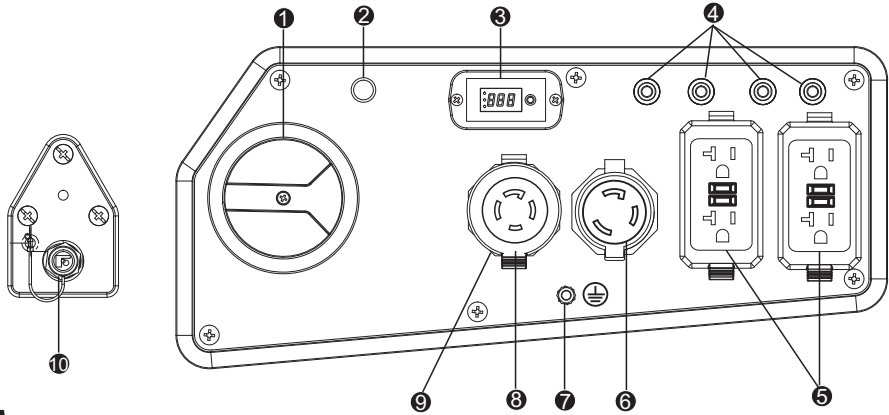


- 1-Medidor de combustible
- 2-Depósito de combustible con capacidad para 8.0 galones
- 3-Tapón del combustible
- 4-Palanca del obturador
- 5-Filtro de aire
- 6-Motor FIRMAN OHV 439cc
- 7-Interruptor de encendido de retroceso

- 8-Rueda libre y plana 10.0"
- 9-Tapón del depósito de aceite
- 10-Conector de la manguera LPG
- 11-Cubierta de salida
- 12-Panel de control
- 13-Manivela

\*Estamos siempre trabajando para mejorar nuestros productos. Por lo tanto, los productos puede diferir ligeramente de la imagen en esta página.

# Panel de Control

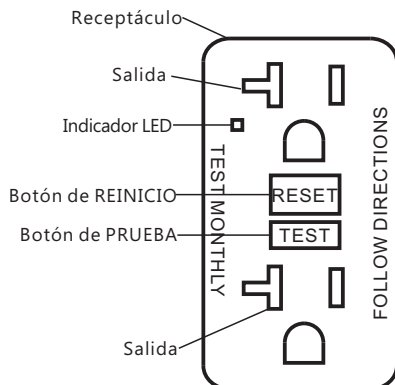


## NOTA:

La potencia total recogida desde todos los receptáculos no debe ser superior a la potencia de la placa de identificación.

- 1 Interruptor selector de combustible** - Use para seleccionar y girar En la gasolina o en la fuente de combustible LPG. Combustible (gasolina) Válvula está cerrada cuando el interruptor está en "OFF" o Posiciones "GLP". El interruptor del motor está encendido Está en las posiciones "GAS" o "GLP".
- 2 Luz indicadora**  
Cuando el interruptor selector de combustible se ponga en posición de "GAS" o "GLP", la luz indicadora se encenderá de color ROJO durante 4 minutos (antes de apagarse). Si se consigue encender el motor durante estos 4 minutos, la luz indicadora cambiará a color VERDE. LA LUZ INDICADORA DEBE ESTAR DE COLOR ROJO SÓLIDO PARA PODER ENCENDER EL GENERADOR. EL GENERADOR NO PUEDE ENCENDERSE DURANTE EL MODO DE AHORRO DE POTENCIA DE LA BATERÍA A MENOS QUE EL INTERRUPTOR SELECTOR DE COMBUSTIBLE HAYA ESTADO EN POSICIÓN "OFF" Y LUEGO HAYA VUELTO A LA POSICIÓN "GAS" O "GLP". Consulte la sección Luz indicadora-Modo ahorro de potencia de la batería para más información.
- 3-1 Recordatorio de información (Multímetro)**- Pulse el botón SELECT para mostrar el voltaje, los Hercios y las horas de funcionamiento.
- 4 Disyuntores** - Los receptáculos están protegidos por un protector de circuito de corriente alterna. Si el generador está sobrecargado o sucede un cortocircuito externo, el protector de circuito se activará. Si esto ocurre, desconecte todas las cargas eléctricas e intente determinar la causa del problema antes de intentar utilizar de nuevo el generador. Si la sobrecarga es la causante de que se active el protector de circuito, reduzca la carga.  
**Nota: Una activación continuada del protector de circuito podría causar daños al generador o al equipo.** El protector de circuito puede ser reiniciado pulsando el botón del protector.
- 5 120V 20A GFCI Dúplex, Tipo Auto-test Versión** - (NEMA 5-20R) 20 amps de corriente podrían recibirse en el receptáculo. Sin embargo, la potencia total debería mantenerse según la que se indica en la placa de identificación. Ground Fault Interruptor cumple con UL 943 y NEC requisitos. Este dispositivo le protege contra descargas eléctricas peligrosas que pueden ser causados si su cuerpo se convierte en un camino a través del cual la electricidad viaja para llegar a tierra. Esto podría suceder cuando usted toca un aparato o el cable que está "vivo" a través del mecanismo defectuoso, aislamiento húmedo o desgastado, etc.

- ⑥ **120V, 30A Cierre de giro (NEMA L5-30R)** - Máxima 30A corriente se pueden dibujar de este receptáculo 120V.
- ⑦ **Terminal de tierra** – Consulte con un electricista acerca del reglamento sobre tomas de tierra locales.
- ⑧ **120/240V, 30A Cierre de giro (NEMA L14-30R)** - Máxima 30A corriente se pueden dibujar de este receptáculo 120/240V.
- ⑨ **Cubierta de la toma de corriente** – Protege los receptáculos del polvo y escombros.
- ⑩ **Conector de la manguera GLP (válvula)**- Se usa para conectar la manguera GLP al generador.



### RECEPTÁCULO GFCI DE 120 VAC, 20 AMP

Esta unidad está equipada con un interruptor de circuito por falla de tierra (GFCI) Este dispositivo cumple los códigos locales, federales y estatales aplicables .

Un receptáculo GFCI es diferente a los receptáculos convencionales. En el caso de una falla de tierra, un GFCI se activará y detendrá rápidamente el flujo de electricidad para evitar daños serios.

Definición: En lugar de seguir su ruta normal segura, la electricidad pasa a través del cuerpo de las personas para llegar a tierra. Por ejemplo, un dispositivo defectuoso puede causar una falla de tierra.

Un receptáculo GFCI NO protege contra sobrecargas del circuito, cortocircuitos, o descargas. Por ejemplo, todavía puede ocurrir una descarga eléctrica si una persona toca cables cargados eléctricamente mientras está parado sobre una superficie no conductiva, como un piso de madera.

Probando el GFCI Pruebe la toma GFCI cada mes de la siguiente manera:

1. Enchufe una lámpara de prueba en el receptáculo.
2. Arranque el generador, la lámpara de prueba debe encenderse.
3. Presione el botón de "Test" ubicado al frente del receptáculo para activar el dispositivo.
4. Esto debe detener el flujo de electricidad haciendo que la lámpara se apague. La luz indicadora GFCI vienen apagado.
5. Para restaurar el flujo de electricidad, presione el botón "Reset" frente al receptáculo. Si el GFCI no se comporta de esta manera, no use el receptáculo. Contacte a algún concesionario de servicio local.
6. La toma está protegida contra sobrecargas por un interruptor de circuito de presionar para reiniciar de 20A. Use la toma para alimentar cargas eléctricas de 120 volts, monofásicas de 60 Ha que requieran hasta una potencia combinada de 2,400 vatios (2.4 Kw) o 20 amperios de corriente.

### FUNCIONAMIENTO AUTO PRUEBA

Un receptáculo de autocomprobación GFCI tiene todas las características de un receptáculo GFCI convencional. En adición,este propio receptáculo pruebas periódicamente para confirmar la electrónica GFCI son funcionales. El estado Luz indicadora será verde cuando el GFCI es alimentado desde el lado de línea y funcionando correctamente.

**Indicaciones Auto-Prueba:** Si la luz de estado Indicador es Rojo o sólido naranja parpadeante puede existir un problema. oprima el botón TEST para desconectar el GFCI. Si no se puede restablecer,sustituir el GFCI.



## SPECIFICATIONS

Modelo	H05752
Vatios de encendido	7125(GASOLINE)/7125(LPG)
Vatios en funcionamiento	5700(GASOLINE)/5700(LPG)
Voltaje de CA catalogado	120/240V
Frecuencia catalogada	60Hz
Fase	Fase única
Regulador de voltaje	AVR
Factor de potencia	1
Tipo de alternador	Con Cepillo
Motor	FIRMAN
Tipo de motor	Cilindro único, 4-tiempos OHV Enfriamiento por Aire
Cilindrada	439cc
Apagado por nivel de aceite bajo	Yes
Sistema de encendido	Tipo de Encendido sin Ruptor, Flywheel Magneto
Sistema de arranque	Por Retroceso
Fuel Combustible	Gasolina Automotora sin Plomo/LPG
Capacidad del depósito para combustible	8.0 Gallon
Capacidad del Aceite lubricante	37.2 onzas (1.1L)
Tipo de carburador	Flotador
Filtro de aire	Tipo Poliuretano
Rotación de eje PTO (Toma de Fuerza)	Contar en el sentido de las agujas del reloj (frente a la Toma de Fuerza)
Tipo de aceite	Ver Sección "Añadir Aceite al Motor"

### MENSAJE IMPORTANTE SOBRE LA TEMPERATURA:

Su Equipo de Potencia Firman está diseñado y catalogado para operaciones continuadas a una temperatura ambiente hasta los 40°C (104°F). Cuando sea necesario, su producto podría operar a temperaturas entre los -15°C (5°F) y los 50°C (122°F) por períodos cortos. Si el producto se expone a temperaturas fuera de este alcance durante el almacenamiento, se debería volver a su alcance de temperatura antes de ponerlo en funcionamiento. En cualquier situación, el producto debe hacerse funcionar siempre en el exterior, en un área bien ventilada y lejos de puertas, ventanas y otros conductos de ventilación.

- Cuando se hace funcionar con temperaturas superiores a los 77°F (25°C) podría haber una disminución de la potencia.
- El vatiaje y la corriente máximas están sujetos a y limitados por factores tales como el combustible, contenido de BTU, temperatura ambiente, altitud, condiciones del motor, etc. La potencia máxima disminuirá alrededor de un 3,5% por cada 1000 pies sobre el nivel del mar; y también disminuirá alrededor de un 1% por cada 10°F (6°C) sobre 60°F (16°) de temperatura ambiente.

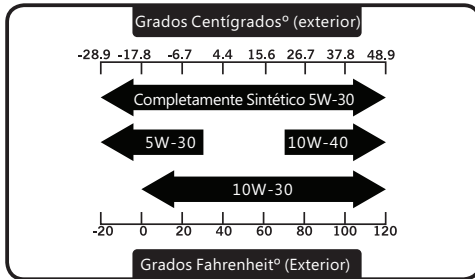
## AÑDIR ACEITE AL MOTOR

### ⚠ PRECAUCIÓN

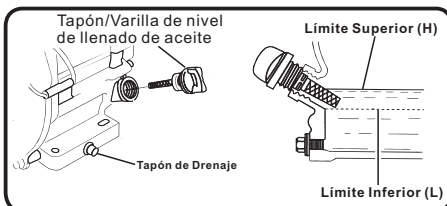
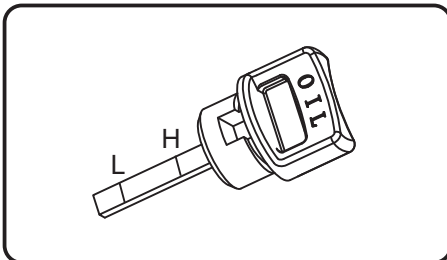
NO intente arrancar o encender el motor antes de que se haya llenado adecuadamente con el tipo y cantidad de aceite recomendados. Cualquier daño al generador como resultado de no haber seguido estas instrucciones invalidará su garantía.

### NOTE:

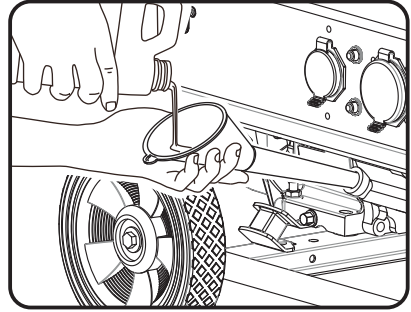
El tipo de aceite recomendado es el aceite automotor 10W-30. Sin embargo, la temperatura exterior determinará la viscosidad adecuada del aceite para el motor. Use la siguiente tabla para seleccionar el mejor para el alcance de temperatura exterior esperado.



1. Ponga el generador en una superficie llana y nivelada.
2. Limpie el área alrededor del llenado de aceite y retire el tapón/varilla de nivel de color amarillo de llenado de aceite.
3. Pásele un trapo a la varilla de nivel.



4. Con la ayuda de un embudo para aceite, vaya vertiendo el contenido de la botella de aceite proporcionada en la apertura de llenado de aceite hasta llegar a la marca "H" de la varilla de nivel. Tenga cuidado de no llenarlo demasiado. Llenarlo demasiado podría provocar que el motor no arranque o arranque con dificultades.



5. Vuelva a poner el tapón/varilla de nivel y asegúrelo completamente.

6. El nivel de aceite debería ser revisado antes de cada uso o al menos cada 8 horas de funcionamiento. Realice un buen mantenimiento del nivel de aceite.

### ⚠ PRECAUCIÓN

El motor está equipado con un sistema de apagado por bajo nivel de aceite, por lo tanto, se apagará cuando el nivel de aceite en el cárter descienda por debajo del umbral.

### NOTA:

Consideramos que las 5 primeras horas de funcionamiento son el período de rodaje para la unidad. Durante el período de rodaje, mantenga el ratio de vatios durante el funcionamiento al 50% o por debajo, y cambie la carga ocasionalmente para permitir que las bobinas del estátor se calienten y se enfríen.

### Apagado por Bajo Nivel de Aceite

Esta unidad está equipada con un sistema de apagado por bajo nivel de aceite. Si el nivel de aceite pasa a ser inferior al nivel requerido, el sensor activará un dispositivo de advertencia o parará el motor.

Si el generador se apaga y el nivel de aceite está dentro de las especificaciones, compruebe que el generador esté colocado en un ángulo que permita que el aceite se mueva. Colóquelo en una superficie uniforme para corregirlo. Si el motor no se enciende, podría ser que el nivel de aceite no sea suficiente para desactivar el interruptor del nivel bajo de aceite. Asegúrese de que el cárter está completamente lleno de aceite.

## AÑADIR COMBUSTIBLE

### 1. Gasolina

El combustible debe cumplir con los siguientes requisitos:

- Gasolina limpia, nueva, y sin plomo.
- Utilice gasolina SIN PLOMO regular con el motor del generador con un mínimo de 87 octanos /87 AKI (91 RON). Para un uso a gran altitud, lea "Funcionamiento a gran altitud".
- **No** use gasolina con más de un 10% de alcohol como E85 o etanol.

**NOTA:** Evitar daños al generador.

No seguir o no seguir correctamente las recomendaciones para combustible del Manual del Operador invalidará la garantía.

- **NO** usar gasolina no aprobada, como la E85.
- **NO** mezclar aceite en la gasolina.
- **NO** modificar el motor para que funcione con combustibles alternados.

#### **ADVERTENCIA**



El combustible y su vapor son extremadamente inflamables y explosivos, y podrían provocar quemaduras, incendios o explosiones resultando en muerte, o heridas graves y/o daños en la propiedad.

### AÑADIR COMBUSTIBLE

- Rellene el depósito de combustible en el exterior.

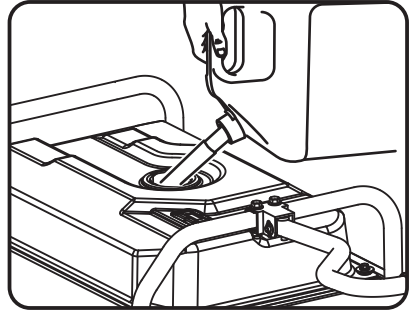


**NO** llene demasiado el depósito. Deje espacio para la expansión del combustible. Si el depósito está demasiado lleno, el combustible puede derramarse encima de un motor caliente y provocar un incendio o explosión. Limpie cualquier resto de combustible derramado inmediatamente.

- Si el combustible se derrama, espere hasta que se haya evaporado antes de encender el motor.
- Mantenga el combustible lejos de chispas, llamas abiertas, luces piloto, calor y otras fuentes de ignición.
- Revise frecuentemente las líneas, el depósito, el tapón y los accesorios del combustible y compruebe que no haya grietas o escapes. Reemplázelo si es necesario.



1. Limpie el área alrededor del tapón de llenado de combustible, retire el tapón.
2. Añada lentamente combustible sin plomo al depósito de combustible. Tenga cuidado de no llenar por encima del indicador de nivel de color rojo. Esto le permite adecuar el espacio para la expansión del combustible.
3. Ponga el tapón de combustible y espere a que cualquier resto de combustible derramado se evapore antes de arrancar el motor, o limpie cualquier resto de gasolina derramado.



#### **PRECAUCIÓN**

- Añada lentamente gasolina sin plomo al depósito de combustible.
- No llene demasiado el depósito.
- No llene el depósito por encima de la parte superior de la pantalla del combustible. Esto se expandirá cuando haga mucho calor y previene que se desborde.



**IMPORTANTE:** Es importante evitar que se formen depósitos de goma en las partes del sistema de combustible tales como el carburador, la manguera de combustible o el tanque durante el almacenamiento. Los combustibles mezclados con alcohol (llamados gasohol, etanol o metanol) pueden atraer la humedad, lo que lleva a la separación y la formación de ácidos durante el almacenamiento. El gas ácido puede dañar el sistema de combustible de un motor mientras se almacena. Para evitar problemas en el motor, el sistema de combustible debe vaciarse antes de almacenar 30 días o más. Consulte la sección "Almacenamiento a largo plazo". Nunca utilice productos limpiadores del motor o del carburador en el tanque de combustible, ya que pueden producirse daños permanentes.

## 2-Conectar el cilindro de Gas Licuado de Petróleo (GLP/Propano)

#### **PELIGRO**

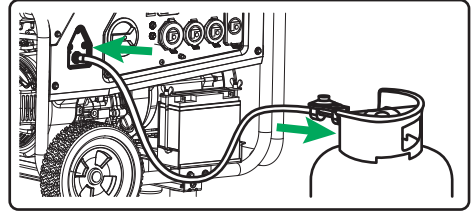
- El Gas Licuado de Petróleo (GLP) es altamente inflamable y explosivo. Un incendio o explosión podría causar quemaduras graves o la muerte.
- No coloque el cilindro GLP en medio de la toma de corriente de un silenciador.

- No use o almacene un cilindro GLP en un edificio, garaje o área cerrada.
- No revise si hay fugas con una cerilla encendida o una llama.
- La válvula del cilindro GLP debería estar completamente cerrada cuando el generador no esté en uso o esté funcionando con gasolina.
- Si huele gas: apague el suministro de gas. Asegúrese de que no hay fugas antes de usar el generador.

### **⚠ ADVERTENCIA**

- El dispositivo usado para manipular el GLP debe estar instalado y usarse en estricta conformidad con el NFPA 58 (Código del Gas Licuado de Petróleo) y el NFPA 54 (Gas Combustible Nacional) y con todos los otros códigos, regulaciones y recomendaciones del fabricante.
- No utilice nunca un contenedor de gas, manguera conectora de GLP, cilindro GLP o cualquier otro artículo de combustible que esté dañado o parezca dañado.
- La válvula del cilindro GLP debería estar completamente cerrada cuando el generador no esté en uso o esté funcionando con gasolina.
- El ensamblaje regulador/manguera y la válvula del cilindro deben ser examinados antes de cada uso para revisar que no haya fugas o signos de daños.
- Si huele gas: apague el suministro de gas. Rocíe con spray solución de agua enjabonada para comprobar que no haya fugas en todas las conexiones antes de intentar usar el generador. Contacte con un técnico especializado para examinar y reparar el sistema GLP en caso de encontrar una fuga usando el generador.
- Use solamente cilindros de capacidad 20 o 30lb con Tipo 1, mano derecha y hilos Acme con este generador. Compruebe que la fecha de recalificación en el depósito no haya caducado. No use cilindros oxidados o dañados.
- Todos los cilindros nuevos deben haber pasado por una purga de aire y humedad antes del llenado. Los cilindros usados que no hayan sido conectados o que se hayan mantenido cerrados también deben pasar por un proceso de purga. El proceso de purga debería ser realizado por su suministrador de gas propano.
- No conecte o desconecte el cilindro GLP en un área cerrada.
- No instale o reemplace el cilindro GLP cerca de llamas, pilotos, o equipos eléctricos chispeantes como por ejemplo herramientas eléctricas,

soldadoras y trituradoras.



- Junte el ensamblaje de regulador/manguera GLP (incluidos) con el conector (válvula) de la manguera GLP en el panel de control del generador. Ajuste bien la tuerca con una llave de 19mm o regulable.
- Retire el enchufe de seguridad o el tapón de la válvula del cilindro.
- Junte el otro extremo del ensamblaje del regulador/manguera GLP a la válvula del cilindro. Apriete la tuerca con la mano en el sentido de las manecillas del reloj hasta una parada positiva. No use una llave inglesa para apretar. El uso de una llave inglesa podría dañar la tuerca del enganche de cerrado rápido y resultar en condiciones peligrosas.
- No use un tapón o cualquier otro tipo de sellador para sellar las conexiones de la manguera GLP.
- Debe usar el ensamblaje de regulador/manguera proporcionados para un funcionamiento seguro.
- Coloque siempre el cilindro de forma que la conexión entre la válvula y el regulador no cause doblados o retorceduras en la manguera.
- Rocíe con un spray una solución de agua enjabonada (una parte detergente líquido y la otra parte agua) para comprobar que no haya fugas en todas las conexiones antes de intentar usar el generador. Abra lentamente la válvula del cilindro. Hay una fuga cuando aparecen burbujas o crecen mucho más en tamaño o en número. Ésto se debe corregir antes de usar el generador. Contacte con su establecimiento de servicio autorizado local para asistencia. No intente repararlo usted mismo.
- No revise si hay fugas con una cerilla encendida o una llama.
- No encienda o fume cigarrillos.
- Revise el sistema de combustible periódicamente para comprobar que no haya fugas ni signo de daños.

### **⚠ PRECAUCIÓN**

- El GLP bajo presión es altamente inflamable y podría causar fuego o explosión si se enciende.

- El GLP es más pesado que el aire y puede acumularse en espacios limitados y en lugares bajos, en el caso de una fuga .
- El GLP tiene un olor distintivo para ayudar a detectar posibles fugas.
- No permita que los niños alteren o jueguen con el cilindro GLP.
- En el caso de un incendio GLP, las llamas no deberían ser extinguidas a menos que haciéndolo se pueda apagar la válvula de suministro de combustible. Si el fuego se extingue y un suministro de combustible no está apagado, se podría crear peligro de explosión mayor que el peligro de incendio.
- Tenga siempre un extintor de incendios cerca del generador.
- Conserve siempre el cilindro GLP en posición vertical.
- No someta el cilindro GLP a un calor excesivo.
- El contacto con el contenido líquido del cilindro provocaría quemaduras congeladas a la piel.
- Un cilindro GLP no conectado para su uso no debería estar almacenado en las inmediaciones del generador.
- Durante el transporte y el almacenaje, apague la válvula del cilindro y el interruptor de selección de combustible, y desconecte el cilindro.

### 3-conexión Permanente A Un Depósito Grande De Suministro De Propano:

En el caso de que necesite conectar su generador a un depósito grande de suministro de propano, un cilindro DOT (Departamento de Transporte) superior a 20 o 30lb, se recomienda que contacte con su Empresa de Equipamiento de Gas. Se requieren varios equipamientos para usar con GLP en conformidad con todas las regulaciones NFPA. Su Empresa de Equipamiento de Gas le ayudará a seleccionar e instalar el regulador, los accesorios y las conexiones apropiados para cumplir con todos los códigos y regulaciones del fabricante. Cada instalación puede ser diferente y necesitará el equipo adecuado. Contacte con su Empresa de Equipamiento de Gas para asegurarse de que está cumpliendo con todos los códigos NFPA 58 (Código de Gas Licuado de Petróleo) y NFPA 54 (Gas Combustible Nacional).

### Operation at High Altitude

A altitudes de más de 5000 pies (1524 metros), es aceptable gasolina de 85 octanos mínimo / 85 AKI (89 RON).

La densidad del aire a grandes altitudes es más baja que al nivel del mar. La potencia del motor se reduce a medida que la masa del aire y el índice aire-combustible disminuyen.

La potencia del motor y la salida del generador se reducirán aproximadamente un 3,5% por cada 1000 pies de elevación por encima del nivel del mar. Ésta es una tendencia natural que no puede modificarse ajustando el motor. A grandes altitudes las emisiones del tubo de escape aumentadas también pueden ocurrir a causa del enriquecimiento aumentado del índice de combustible en el aire.

Entre otros problemas causados por gran altitud también se pueden dar: dificultad en el arranque, aumento del consumo de combustible y ensuciamiento de la bujía. Para paliar problemas por la gran altitud, además de la pérdida de potencia natural, FIRMAN puede facilitar un reactor principal de carburador de gran altitud.

El reactor principal alternativo y las instrucciones de instalación se pueden obtener contactando con el Servicio al Cliente. Las instrucciones de instalación también están disponibles en el apartado del Boletín Técnico en la página web de FIRMAN. El número de la pieza y la altitud mínima recomendada para el uso del reactor principal de carburador de gran altitud lo encontrará en la tabla que hay a continuación.

	439cc	Altitud
Reactor principal de Altitud 1	380717004	3000-6000Pies
Reactor principal de Altitud 2	380717005	6000-8000Pies

### ADVERTENCIA

Un funcionamiento usando el reactor principal alternativo a alturas inferiores a la altitud mínima recomendada podría dañar el motor. Para operaciones a alturas inferiores, se debe usar el reactor principal estándar. Hacer funcionar el motor con la configuración de motor errónea a una altitud dada, puede aumentar sus emisiones y disminuir el rendimiento y resultado del combustible.

## Toma de Tierra

El Código Eléctrico Nacional requiere que su generador esté correctamente conectado a una toma de tierra adecuada para ayudar a prevenir una descarga eléctrica.

### ADVERTENCIA



Un fallo en la toma de tierra del generador podría resultar en una descarga eléctrica.

En el panel de control se proporciona una terminal de toma de tierra conectada al marco del generador. Para una toma de tierra apartada, conecte la longitud de un cable de cobre de calibre grueso (mínimo 12 AWG) entre la terminal de toma de tierra del generador y una vara de cobre que conduzca a la tierra. Le recomendamos encarecidamente que consulte con un electricista calificado para garantizar el cumplimiento con los códigos eléctricos locales.

**HAY UN CONDUCTOR PERMANENTE ENTRE EL GENERADOR (BOBINA DEL ESTÁTOR) Y EL MARCO.**

## Conectar al Sistema Eléctrico del Edificio

Las conexiones para la potencia de reserva al sistema eléctrico de un edificio deben ser realizadas por un electricista calificado. La conexión debe aislar la potencia del generador de la potencia de los servicios públicos o de otras fuentes de potencia alternativas, y debe cumplir con todas las leyes y códigos eléctricos aplicables.

### ADVERTENCIA



El voltaje del generador podría causar descargas eléctricas o incendios resultando en muerte o heridas graves.

- Use un equipo de transferencia homologado, con tal de prevenir retroalimentación por separar el generador de los operarios eléctricos.
- Cuando utilice el generador como energía de reserva, notifíquelo a la empresa eléctrica.
- No usar un interruptor de circuito con falla a tierra (GFCI de las siglas en inglés) en ningún área húmeda o altamente conductora, como entablados de metal u obras de acero.
- NO tocar cables o receptáculos pelados.
- NO usar el generador con cables eléctricos que estén gastados, desgastados, pelados o dañados de algún modo.
- NO hacer funcionar el generador bajo la lluvia o con mucha humedad.
- NO manipular el generador o los cables eléctricos si está de pie encima del agua, con los pies descalzos o cuando las manos o los pies estén mojados.
- NO permita a personas no calificadas o a niños hacer funcionar o servir el generador.

## FUNCIONAMIENTO

### Ubicación del Generador

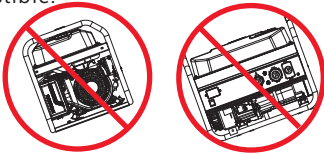
#### **⚠️ ADVERTENCIA**

Asegúrese de repasar todas las advertencias para prevenir riesgo de incendio.

- Mantenga el área alejada de materiales inflamables u otros materiales peligrosos.
- Escoja un lugar seco, bien ventilado y protegido de la intemperie.
- Mantenga el tubo de escape alejado de objetos extraños.
- Mantenga el generador lejos de llamas abiertas.
- Mantenga el generador encima de una superficie estable y nivelada.

#### **⚠️ PRECAUCIÓN**

Inclinarlo podría causar derramamiento de combustible.



- No bloquee el conducto de ventilación del generador con papel u otro material.

<b>⚠️ PELIGRO</b>	
Utilizar un generador en el interior PUEDE MATARLE EN CUESTIÓN DE MINUTOS. El tubo de escape del generador contiene monóxido de carbono. Se trata de un gas tóxico que no se ve ni se huele.	
 <b>NUNCA</b> lo use en el interior de una casa o de un garaje, <b>INCLUSO</b> SI las puertas o las ventanas están abiertas.	 Utilizar solo en <b>EL EXTERIOR</b> y lejos de ventanas, puertas y conductos de ventilación.
Evitar otros peligros del generador. <b>LEA EL MANUAL ANTES DE USAR.</b>	

#### **⚠️ ADVERTENCIA**

### PELIGRO POR GAS TÓXICO



El tubo de escape del motor contiene monóxido de carbono, un gas tóxico que podría causarle la muerte en cuestión de minutos. **NO PUEDE** olerlo, verlo, o notarlo al gusto. Incluso si usted no huele gases de escape, podría estar expuesto al gas de monóxido de carbono de todas formas.

- Utilizar este producto **SOLO** en el exterior y lejos de ventanas, puertas y conductos de ventilación para reducir el riesgo de que el gas monóxido de carbono se acumule y sea conducido potencialmente hacia espacios ocupados.
- Instale alarmas de monóxido de carbono a batería o alarmas de monóxido de carbono con enchufe y con batería de seguridad según las instrucciones del fabricante. Las alarmas de humo no pueden detectar el gas de monóxido de carbono.
- **NO** haga funcionar este producto dentro de casas, garajes, sótanos, sótanos de poca altura, cobertizos u otros espacios parcialmente cerrados, aunque tenga ventiladores o puertas y ventanas abiertas para ventilar. El monóxido de carbono puede aumentar rápidamente en estos espacios y puede permanecer durante horas, incluso una vez apagado este producto.
- **SIEMPRE** coloque este producto en la dirección del viento y situando el tubo de escape del motor lejos de espacios ocupados. Si se empieza a encontrar mal, mareado o débil durante la utilización de este producto, apáguelo y salga a tomar aire fresco **INMEDIATAMENTE**. Visite a un médico. Usted podría haberse intoxicado por monóxido de carbono.

### Protección contra Sobrecargas

#### **⚠️ PRECAUCIÓN**

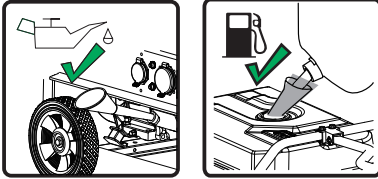
La fluctuación del voltaje podría perjudicar un correcto funcionamiento de equipos electrónicos sensibles.

Los dispositivos electrónicos, incluyendo ordenadores y muchos aparatos programables utilizan componentes que están diseñados para operar con un rango de voltaje reducido, y podrían verse afectados por fluctuaciones de voltaje momentáneas. Si no hay ningún método para prevenir fluctuaciones de voltaje, puede tomar medidas para proteger los equipos electrónicos sensibles.

Instale supresores de sobrecarga UL 1449, listados por la CSA, para enchufar a las tomas de corriente de forma que alimenten su equipo sensible. Los supresores de sobrecarga vienen o bien en un formato único o de varias tomas de corriente. Están diseñados para proteger contra prácticamente todas las fluctuaciones de voltaje de duración corta.

## Encendido del Generador (Encendido de retroceso - Gasolina)

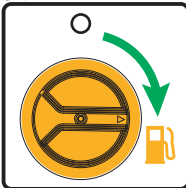
1. Antes de arrancar el generador, compruebe que no haya partes sueltas, que falten o algún tipo de daño ocasionado durante el envío.
2. Compruebe el nivel de aceite y carburante.



3. Asegúrese de que el nudo del cilindro GLP esté completamente cerrado.

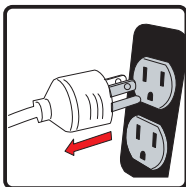


4. Gire el interruptor selector de combustible hasta la posición "GAS".

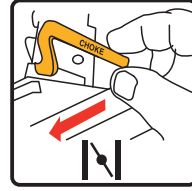


**NOTA:** Cuando el interruptor selector de combustible esté en posición "GAS", la luz indicadora se pondrá de color **ROJO** durante **4 minutos** (antes de apagarse). Si se consigue encender el motor con éxito durante estos **4 minutos**, la luz indicadora se pondrá de color **VERDE**.

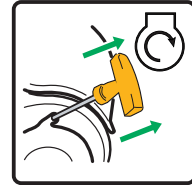
5. Desconecte todas las cargas eléctricas del generador. Nunca encienda o apague el generador con dispositivos eléctricos conectados o encendidos.



6. Gire la palanca del obturador situada en el motor hacia la posición "START".



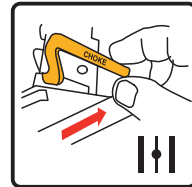
7. Estire la cuerda de arranque lentamente hasta que se note resistencia y entonces estire rápidamente.



**RECORDATORIO:** LA LUZ DEL INDICADOR DEBE ESTAR DE COLOR ROJO SÓLIDO PARA PODER ENCENDER EL GENERADOR. EL GENERADOR NO SE PUEDE ENCENDER DURANTE EL **MODO DE AHORRO DE POTENCIA DE LA BATERÍA** A MENOS QUE EL INTERRUPTOR SELECTOR DE COMBUSTIBLE HAYA ESTADO EN POSICIÓN "OFF" Y LUEGO HAYA VUELTO A LA POSICIÓN "GAS".

Consulte la **sección Luz indicadora-Modo ahorro** de potencia de la batería para más información.

8. No obstruya demasiado. Tan pronto el motor se encienda y se caliente, gire la palanca del obturador hacia la posición "RUN".

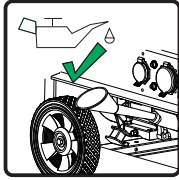


9. Permita que el generador opere sin carga durante algunos minutos tras cada encendido inicial para permitir que el motor y el generador se estabilicen.

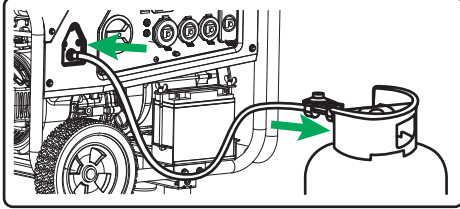
## Encendido del Generador (Encendido de retroceso - GLP)

1. Antes de arrancar el generador, compruebe que no haya partes sueltas, que falten o algún tipo de daño ocasionado durante el envío.
2. Compruebe el nivel de aceite y carburante.



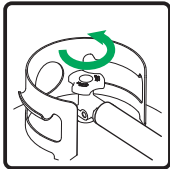


3. Conecte el regulador al cilindro GLP y al generador.

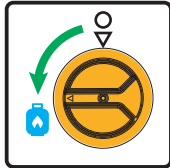


**NOTA:** No coloque el cilindro GLP en medio de la toma de corriente de un silenciador.

4. Abra completamente el nudo del cilindro GLP.

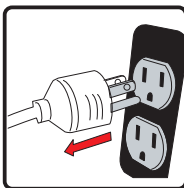


5. Gire el interruptor selector de combustible hacia la posición "GLP".



**NOTA:** Cuando el interruptor selector de combustible esté en posición "LPG", la luz indicadora se pondrá de color **ROJO** durante **4 minutos** (antes de apagarse). Si se consigue encender el motor con éxito durante estos **4 minutos**, la luz indicadora se pondrá de color **VERDE**.

6. Desconecte todas las cargas eléctricas del generador. Nunca encienda o apague el generador con dispositivos eléctricos conectados o encendidos.

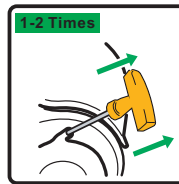


7. Gire la palanca del obturador situada en el motor hacia la posición "START".

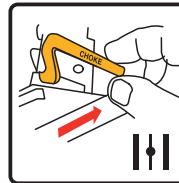


8. **ESTIRAR PARA PREPARAR:**

Estire la cuerda del motor de arranque 1-2 veces. Estire lentamente hasta que note resistencia y luego estire rápidamente.

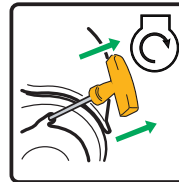


9. Gire la palanca del obturador hacia la posición "RUN".



10. **ESTIRAR PARA HACER FUNCIONAR:**

Estire la cuerda del motor de arranque lentamente hasta que note resistencia y luego estire rápidamente para hacer funcionar la unidad.



Si el motor no consigue encenderse tras 1-2 estiros con el obturador en la posición "RUN", gire la palanca del obturador hacia la posición "START" y repita el paso "ESTIRAR PARA PREPARAR".

11. Permita que el generador opere sin carga durante algunos minutos tras cada encendido inicial para permitir que el motor y el generador se estabilicen.

**RECORDATORIO:** LA LUZ INDICADORA DEBE SER DE COLOR ROJO SÓLIDO PARA PODER ENCENDER EL GENERADOR. EL GENERADOR NO PUEDE ENCENDERSE DURANTE EL MODO DE AHORRO DE POTENCIA DE LA

BATERÍA A MENOS QUE EL INTERRUPTOR SELECTOR DE COMBUSTIBLE HAYA ESTADO EN POSICIÓN "OFF" Y LUEGO HAYA VUELTO A LA POSICIÓN "GLP".

Consulte la sección Luz indicadora-Modo ahorro de potencia de la batería para más información.

### **⚠ ADVERTENCIA**



El retroceso del cable de arranque (retracción rápida) estirará la mano y el brazo hacia el motor muy rápido y antes de que usted lo pueda soltar, lo cuál podría causar huesos rotos, fracturas, moratones o esguinces, resultando en heridas graves..

Cuando arranque el motor, tire lentamente de la cuerda hasta que note resistencia y luego tire rápidamente para evitar el retroceso.

### **NOTA:**

Mantenga la palanca del estrangulador en posición "START" por sólo un tirón del arrancador de retroceso. Tras el primer tirón, mueva la palanca del estrangulador a la posición "RUN" para los 3 tirones siguientes del arrancador de retroceso. Estrangularlo demasiado lleva a un ensuciamiento de la bujía/inundación del motor debido a la falta de entrada de aire. Eso hará que no arranque el motor.

Si el motor arranca tras 3 tirones pero no llega a ponerse en marcha, o si la unidad se apaga durante el funcionamiento, asegúrese de que la unidad esté en una superficie plana y compruebe que el nivel de aceite sea correcto en la caja del cárter. Puede que esta unidad esté equipada con un dispositivo de protección en caso de nivel bajo de aceite. De ser así, el aceite debe estar al nivel adecuado para que arranque el motor.

## **Conexión de Cargas Eléctricas**

Esta unidad ha sido testada y ajustada para soportar su capacidad máxima. Antes de arrancar el generador, desconecte todas las cargas. Aplique las cargas sólo cuando el generador ya esté funcionando. El voltaje se regula mediante la velocidad del motor que se ajusta en fábrica para conseguir un rendimiento correcto. Los reajustes anulan la garantía.

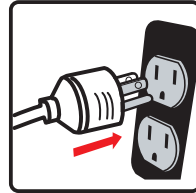
### **⚠ PRECAUCIÓN**

Cuando se aplique una carga, no exceda la potencia máxima del generador cuando use uno o más receptáculos. Asimismo, no exceda el emperaje de ninguno de los receptáculos. No aplique cargas eléctricas pesadas durante el período de rodaje inicial (las dos o tres primeras horas de operaciones).

1. Deje que el motor se establezca y se caliente durante unos minutos tras el arrancado.

2. Asegúrese de que el cortacircuitos en el panel de control está en posición "on".

3. Enchufe y encienda las cargas eléctricas deseadas de 120 y 240 voltios AC, fase única, 60Hz.

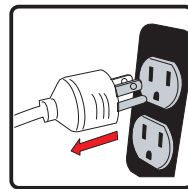


### **NOTA:**

Conectar un generador al tendido de su empresa de electricidad o a otra fuente de energía puede estar en contra de la ley. Además esta acción, si no se hace correctamente, puede dañar su generador y aparatos y le podría provocar heridas graves o incluso la muerte a usted o a un usuario de la empresa que pueda estar trabajando cerca del tendido. Si planea utilizar un generador eléctrico durante un apagón, por favor notifíquelo a su empresa eléctrica inmediatamente y recuerde enchufar sus aparatos directamente al generador. No enchufe el generador a ninguna toma eléctrica en su casa. Eso podría crear una conexión al tendido de la empresa eléctrica. Es su responsabilidad asegurar que su generador eléctrico no se retroalimenta de las líneas eléctricas del servicio público. Si el generador estará conectado a un sistema eléctrico de un edificio, consulte a su compañía local de servicios públicos o a un electricista calificado. Las conexiones deben aislar la energía del generador de la energía de la red y deben cumplir con todas las leyes y códigos aplicables.

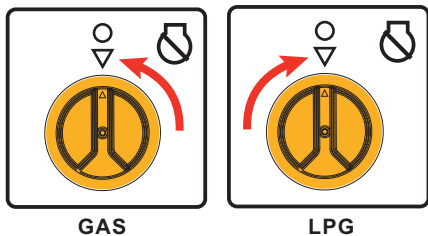
## **Parada del Motor**

1. Retire las cargas eléctricas enteras. Nunca arranque o pare el generador si hay dispositivos eléctricos enchufados o conectados.



Deje que el generador funcione sin carga unos minutos para estabilizar las temperaturas internas del motor y el generador.

2. Gire el interruptor selector de combustible hacia la posición **OFF (O)**.



3. Cierre completamente el nudo del cilindro GLP.



Si se usa una cubierta, no la instale hasta que la unidad no se haya enfriado.

**NOTA:** Desconecte el cilindro GLP del generador durante el transporte.

#### **ADVERTENCIA**



El combustible y sus vapores son extremadamente inflamables y explosivos, y podrían causar quemaduras, incendio o explosión resultando en la muerte, heridas graves y/o daños en la propiedad.

NO pare el motor moviendo el control del obturador a la posición "**START**".

**Importante:** Asegure siempre que la Válvula del Carburante y el Interruptor del Motor estén en posición "OFF" cuando el motor no esté en uso.

#### **NOTA:**

Si el motor no se utiliza durante un periodo de dos semanas o más, por favor vea la sección de Almacenamiento para un almacenamiento adecuado del motor y el carburante.

### **Luz indicadora - Modo Ahorro de Potencia de la batería**

Este generador está equipado con un módulo electrónico que consume potencia de la batería. Cuando el interruptor selector de combustible está en posición "**GAS**" o "**GLP**", la luz indicadora se pondrá de color **ROJO** durante **4 minutos** (antes de apagarse).

Si se consigue encender el motor con éxito durante estos **4 minutos**, la luz indicadora se pondrá de color **VERDE**.

Si no se consigue encender el motor con éxito o no se intenta encender el motor durante estos **4 minutos**, el generador se pondrá en Modo Ahorro de Potencia de la Batería para conservar y aumentar la vida de la batería.

LA LUZ INDICADORA DEBE SER DE COLOR ROJO SÓLIDO PARA PODER ENCENDER EL GENERADOR. EL GENERADOR NO SE PUEDE ENCENDER DURANTE EL MODO AHORRO DE POTENCIA DE LA BATERÍA A MENOS QUE EL INTERRUPTOR SELECTOR DE COMBUSTIBLE HAYA ESTADO EN POSICIÓN "OFF" Y LUEGO HAYA VUELTO A LA POSICIÓN "**GAS**" O "**GLP**". Apagado no deseado:

La luz indicadora empezará a parpadear durante **4 minutos** en caso de haber un apagado no deseado como sería tener un nivel bajo de aceite, quedarse sin combustible (gasolina o GLP), o cualquier otro apagado no deseado. Esto es un recordatorio de que el generador se pondrá en **Modo Ahorro de Potencia de la Batería**. El generador debería ser revisado por cualquier apagado no deseado.

### **Desconexión por Nivel de Aceite Bajo**

Si el nivel de aceite del motor baja del nivel preestablecido, un interruptor del aceite parará el motor. Compruebe el nivel del aceite con una varilla medidora.

Si el nivel de aceite está entre la marca de LOW y HIGH en la varilla medidora:

1. NO intente arrancar el motor.
2. Contacte con un Servicio Distribuidor autorizado de FIRMAN.
3. NO utilice el motor hasta que el nivel de aceite sea correcto.

Si el nivel de aceite está por debajo de la marca LOW en la varilla medidora:

1. Añada aceite hasta llegar al nivel de la marca HIGH.
2. Reinicie el motor y si el motor se para de nuevo puede que aún exista una condición de aceite bajo. NO intente arrancar el motor de nuevo.
3. Contacte con un servicio de Distribución autorizado FIRMAN.
4. NO utilice el motor hasta que el nivel de aceite sea correcto.

## No Sobrecargue el Generador

Sobrecargar un generador excediendo su capacidad de potencia eléctrica indicada, podría resultar en daños al generador y a los dispositivos eléctricos conectados.

Para prolongar la vida de su generador y los dispositivos conectados, siga estos pasos para añadir carga eléctrica:

1. Arranque el generador sin cargas eléctricas conectadas.
2. Permita que el motor funcione durante unos minutos para que se estabilice.
3. Enchufe y encienda el primer dispositivo. Es mejor conectar primero el dispositivo con la mayor carga.
4. Permita que se estabilice el motor.
5. Enchufe y encienda el siguiente dispositivo.
6. Permita que el motor se estabilice.
7. Repita los pasos 5-6 para cada dispositivo adicional.

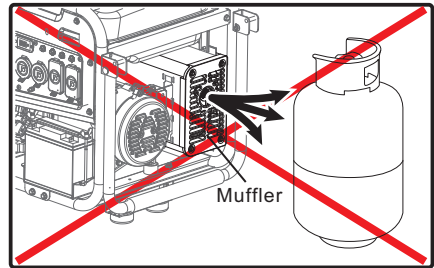
## NOTA:

Observar escarcha en el GLP y los reguladores es frecuente durante el funcionamiento y, normalmente, no es una indicación de un problema. Dado que el GLP se vaporiza y se propaga desde el depósito al motor del generador, se expande. La cantidad de escarcha que se forma puede variar dependiendo de la medida del cilindro, la cantidad de combustible usado, la humedad del aire y otras condiciones de funcionamiento. En situaciones inusuales esta escarcha podría limitar la circulación de gas GLP al generador, lo cuál podría deteriorar su actuación. Por ejemplo, si la temperatura del depósito se reduce a un nivel muy bajo, entonces el índice al que el GLP se vaporiza también se reduciría y podría no proporcionar suficiente circulación de combustible para el motor. Esto no es una indicación de un problema con el generador, sino solamente un problema con la circulación de gas desde el cilindro GLP. Si parece que el generador se está deteriorando a la vez que se observa formación de hielo en la válvula del depósito, la manguera o el regulador, se deberían tomar medidas para eliminar este síntoma. Si se diera esta situación anormal, sería de ayuda reducir o eliminar los efectos del sistema por el combustible frío, realizando una de las siguientes acciones:

- Intercambiar los depósitos de combustible para permitir que el primer depósito de caliente, y repetirlo tantas veces como sea necesario.
- Colocar el cilindro GLP al final del generador, cerca de la manivela, donde el aire del ventilador del motor sale del generador. Este aire está ligeramente calentado por haber circulado por encima del motor.

## **⚠ PELIGRO**

NO COLOQUE EL CILINDRO GLP EN MEDIO DE LA TOMA DE CORRIENTE DE UN SILENCIADOR.



- El cilindro GLP puede calentarse temporalmente vertiendo agua caliente por encima del cilindro.

# MANTENIMIENTO Y ALMACENAMIENTO

## PROGRAMA DE MANTENIMIENTO

ITEM	OBSERVACIONES	A diario (Antes de usar)	Primeras 25 horas	Cada 50 horas	Cada 100 horas (o anualmente)
Bujía	Comprobar el estado. Ajustar la separación y limpiar. Cambiar si es necesario.				✓
Aceite del motor	Comprobar el nivel de aceite.	✓			
	Reemplazar.		✓		✓
Filtro de aire	Limpiar, reemplazar si es necesario.			✓	
Filtro de Carburante	Limpiar el filtro de carburante y el colador del depósito de combustible.				✓
Línea de combustible	Comprobar que no haya grietas u otros daños en la manguera de carburante. Reemplazar si es necesario.	✓			
Regulador de GLP / Manguera d'Assy.	Check for damage and leaks. Replace if necessary.	✓			
Sistema de escape	Comprobar que no haya fugas. Volver a ajustar o reemplazar la junta si es necesario.	✓			
	Revisar la rejilla del apagachispas. Limpiar/Reemplazar si es necesario.				✓
Carburador	Revisar el funcionamiento del estárter.	✓			
Sistema de arrancado	Comprobar el funcionamiento del arrancador de retroceso.	✓			
Accesorios /Cierres	Revisar. Reemplazar si es necesario.				✓

### Recomendaciones Generales

Un mantenimiento regular mejorará el rendimiento y prolongará la vida del generador. Busque el servicio de cualquier distribuidor autorizado.

La garantía del generador no cubre las piezas que hayan sido sometidas a abuso o negligencia por parte del operador. Para recibir el valor total de la garantía, el operador debe mantener el generador como se indica en el manual.

Algunos ajustes deberán llevarse a cabo periódicamente para mantener su generador adecuadamente. Todo servicio y ajustes deberían llevarse a cabo por lo menos una vez por temporada. Siga los requisitos en el Programa de Mantenimiento del cuadro de arriba.

**Aviso:** Una vez al año debería limpiar o reemplazar la bujía y reemplazar el filtro de aire. Las bujías nuevas y los filtros de aire limpios aseguran una mezcla de carburante y aire adecuada y ayudan a su motor a funcionar mejor y más tiempo.

## MANTENIMIENTO DEL MOTOR

Para evitar el arrancado accidental, quite y ponga en el suelo el cable de la bujía antes de realizar cualquier servicio.

### Cambiar el Aceite del Motor

Cambie el aceite del motor cada 100 horas.

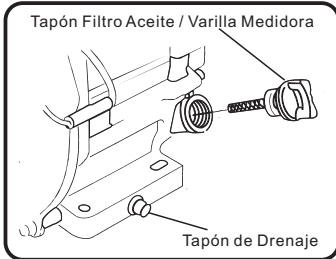
(para motores nuevos, cambie el aceite cada 25 horas.)

Si utiliza su generador bajo condiciones de suciedad o polvo extremo, o bajo calor extremo, cambie el aceite más a menudo.

### ⚠ PRECAUCIÓN

Evite el contacto prolongado o repetitivo con la piel con el aceite de motor.

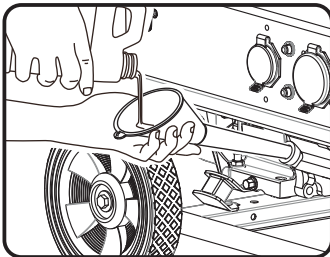
- Se ha comprobado que el aceite de motor usado causa cáncer en ciertos animales de laboratorio.
  - Lave bien las zonas expuestas con agua y jabón.
- (a) Vacíe el aceite quitando el tapón de drenaje y el tapón de llenado de aceite mientras el motor está caliente.



### NOTA:

Por favor utilice un contenedor para vaciar el aceite usado para proteger el medio ambiente.

(b) Vuelva a instalar el tapón de drenaje y a llenar el motor con aceite hasta que alcance el nivel ALTO(H) del tapón del depósito de aceite.



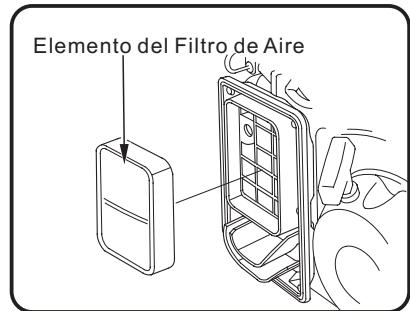
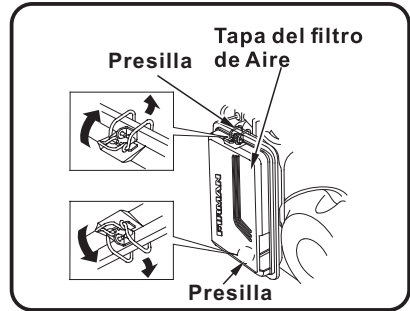
- Utilice lubricante nuevo y de alta calidad en la cantidad especificada.

Si se utiliza aceite contaminado o deteriorado o si la cantidad del aceite del motor no es suficiente, el motor será dañado y se acortará su vida.

### Mantenimiento del Filtro de Aire

Mantener el filtro de aire en condiciones adecuadas es muy importante. La suciedad inducida mediante instalación incorrecta, servicio incorrecto, o elementos inadecuados daña y desgasta los motores. Mantenga siempre los elementos limpios.

(a) Saque el filtro de aire, límpielo bien con queroseno y séquelo.



(b) Después de mojar el elemento con aceite de motor limpio, apriételo con fuerza con la mano.

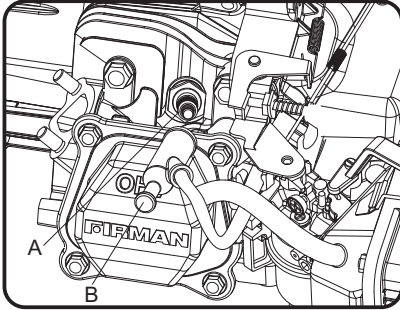


(c) Finalmente, ponga el elemento en la caja y instálelo de forma segura.

## Mantenimiento de La Bujía

Cambiar la bujía hará que su motor arranque con más facilidad y funcione mejor.

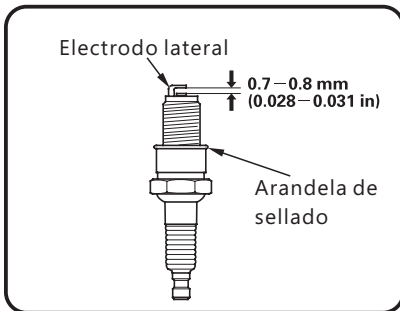
- Quite el tapón de la bujía.
- Quite el tapón de la bujía con la llave proporcionada.



A- Bujía

B- Tapón de la bujía

- Inspeccione la bujía en busca de daños y límpiela con un cepillo de alambre antes de reinstalarla.
- Ajuste la distancia entre electrodos a 0.7 a 0.8mm (0.028" a 0.031").
- Ponga la bujía en posición y enrosque a mano para prevenir el enroscado cruzado.
- Apriete el tapón con la llave proporcionada y ponga la tapa en la bujía.



BUJÍA: TORCH F6RTC  
NGK BPR6ES  
CHAMPION RN9YC o equivalente.

## Inspeccionar el Silenciador Y el Apagachispas

Inspeccione el silenciador en busca de grietas, corrosión u otros daños. Quite el apagachispas, si está instalado, e inspeccione en busca de daños u obstrucción de carbono. Si se necesitan piezas de repuesto, asegúrese de que sólo usa piezas de repuesto del equipamiento original.

### ⚠️ ADVERTENCIA



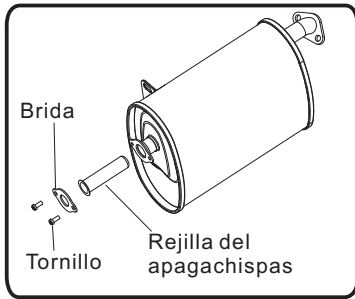
El calor y los gases de escape podrían encender materiales combustibles, estructuras o dañar el depósito de carburante provocando un incendio, causando la muerte o heridas graves y/o daños en la propiedad. El contacto con la zona del silenciador podría provocar quemaduras causando heridas graves.

- NO toque las parts calientes y EVITE los gases calientes de escape.
- Deje que el equipamiento se enfríe antes de tocarlo.
- Mantenga por lo menos 1.5m de espacio libre alrededor del generador incluyendo la parte de arriba.
- Los repuestos deben ser iguales e instalarse en la misma posición que las piezas originales.

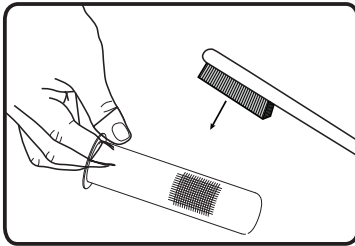
## Limpiar o reemplazar el apagachispas de la siguiente manera:

Dependiendo del tipo de carburante utilizado, el tipo y cantidad de lubricante, y/o condiciones operativas, la pieza del tubo de escape y el silenciador pueden bloquearse con restos de carbón. Si nota una pérdida de energía, podría tener que quitar los restos para recuperar el rendimiento.

- Deje que el motor se enfríe completamente antes de dar servicio al apagachispas.
- Quite los tornillos fijando bien el apagachispas en su sitio y luego sáquelo del silenciador.



3. Retire cuidadosamente los restos de carbono de la rejilla del apagachispas con un cepillo de alambre.



4. Reemplace el apagachispas si está dañado.  
5. Posicione el apagachispas en el silenciador y adjúntelo con los tornillos.

### ⚠ PRECAUCIÓN

Si no se limpia el apagachispas, el rendimiento del motor se degradará.

## MANTENIMIENTO DEL GENERADOR

Asegúrese de que el generador se mantiene limpio y almacenado correctamente. Haga funcionar la unidad sólo en una superficie plana y nivelada en un ambiente operativo limpio y seco. **NO** exponga la unidad a condiciones extremas, polvo excesivo, suciedad, humedad o vapores corrosivos.

### ⚠ PRECAUCIÓN

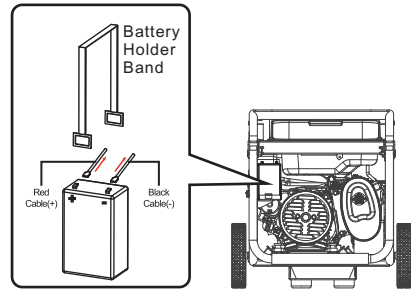
**NO** utilice una manguera de jardín para limpiar el generador. El agua podría entrar en el generador a través de las ranuras de refrigeración y dañar las bobinas del generador.

Utilice un paño húmedo para limpiar las superficies exteriores del generador.

Use un cepillo de púas suaves para eliminar la suciedad y el aceite. Use un compresor de aire (25 PSI) para despejar la suciedad y los desechos del generador.

Revise todos los orificios y ranuras de refrigeración para asegurar que están limpias y despejadas.

## Cambio de Batería



1. Desconectar el cable negativo (-) cable negro al negativo (-) de la batería y desconecte el cable positivo (+) rojo al positivo (+) de la batería.

2. Retire la cinta de goma soporte de la batería.  
3. Retire la batería y recicle y disponer de manera adecuada.

4. Instale una nueva batería con las siguientes especificaciones:

12V. 2.5AH Batería de litio

Largo-Ancho-Alto: 80X70X105mm(3.15X2.75X4.13inch)

5. Vuelva a colocar la banda de goma soporte de la batería.

6. Conectar el cable positivo de la batería rojo (+) para primero la batería.

7. Conecte el positivo negro (-) de la batería a la segunda batería.

### ⚠ ADVERTENCIA



**Para evitar una descarga eléctrica:**

**SIEMPRE** conecte primero el cable de la batería (funda protectora roja) positivo (+), cuando conecte los cables de la batería.

**SIEMPRE** desconecte primero el cable de la batería (funda protectora negra) negativa (-), cuando desconecte los cables de la batería.

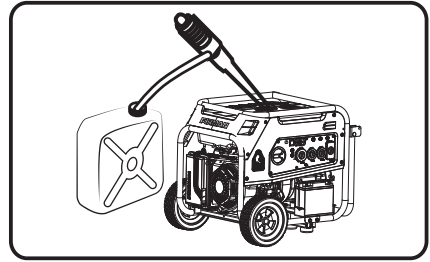
**NUNCA** conecte el cable de la batería (funda protectora negra) negativo (-) al poste positivo (+) en la batería.



**NUNCA** conecte el cable de la batería (funda protectora roja) positivo (+) al poste negativo (-) en la batería.

**NUNCA** toque los dos postes de la batería simultáneamente. **NUNCA** coloque una herramienta metálica a través de los dos postes de la batería.

**SIEMPRE** use herramientas aisladas o no conductoras cuando instale la batería.



### **⚠ DANGER**

**Drene el combustible en el recipiente aprobado al aire libre, Lejos de la llama abierta. Asegúrese de que el motor esté fresco. No fume.**

4-**FUEL STARVATION:** Gire el selector de combustible A la posición "GAS". Arranque y ejecute el generador hasta Paradas por falta de gasolina. Esto secará todo La gasolina permanecía en el tanque, las líneas de combustible y el carburador.

5-Coloque el selector de combustible en la posición "OFF".Cierre completamente la perilla del cilindro de GLP si está abierta y Desconecte el cilindro de GLP del generador.

6-Deje que la unidad se enfríe completamente antes de limpiar Y almacenamiento.

7-Cambie el aceite con aceite recomendado.

8-Retire la bujía y vierta aproximadamente una cucharadita de aceite del motor a través del orificio de la bujía, tire del arrancador de retroceso varias veces para distribuir el aceite para lubricar el cilindro. Vuelva a colocar la bujía. Tire del retroceso lentamente hasta que se sienta resistencia. Esto cerrará las válvulas para que la humedad no pueda entrar en el cilindro del motor. Suavemente suelte el arrancador de retroceso.

9-Cubra la unidad y guárdela en un lugar limpio y seco Fuera de la luz directa del sol. **NUNCA USE AGUA PARA GENERADOR LIMPIO.**

### **NOTA:**

- Recomendamos utilizar siempre un estabilizador de combustible. Un estabilizador de combustible minimizará la formulación de depósitos de goma de combustible durante el almacenamiento, el estabilizador de combustible se puede agregar a la gasolina en el tanque de combustible, o en la gasolina en un contenedor de almacenamiento.

## **SERVICIO Y ALMACENAMIENTO**

### **Servicio Infrecuente**

Si la unidad es utilizada pocas veces, podría ser difícil de encender. Para eliminar un encendido difícil, siga las siguientes instrucciones:

1. Haga funcionar el generador al menos 30 minutos cada mes.
2. Haga funcionar el generador, entonces cierre la válvula de interrupción del combustible y deje que la unidad funcione hasta que el motor se pare.
3. Gire el selector de combustible hacia la posición "OFF".

### **Almacenamiento de Largo Plazo**

Es importante evitar que los depósitos de goma se formen en partes esenciales del sistema de combustible tales como el carburador, las mangueras de combustible o el tanque durante el almacenamiento. Además, la experiencia indica que los combustibles mezclados con alcohol (llamados gasohol, etanol o metanol) pueden atraer la humedad, lo que lleva a la separación y la formación de ácidos durante el almacenamiento. El gas ácido puede dañar el sistema de combustible de un motor mientras se almacena.

Si el grupo electrógeno no se está utilizando o se almacena durante más de un mes, siga estas instrucciones para evitar problemas con el motor:

- 1-**AÑADIR** un estabilizador de combustible FUEL adecuadamente formulado al tanque si aún no se ha agregado.
- 2-Haga funcionar el motor durante 5-10 minutos para hacer circular el combustible tratado en las líneas de combustible y el carburador antes de apagarse.
- 3- Después de que el motor se enfríe, retire toda la gasolina del tanque de combustible. Utilice un sifón de vacío no conductor disponible en el mercado.

- Si no es práctico vaciar el tanque de combustible y la unidad se va a almacenar durante algún tiempo, utilice un ESTABILIZADOR de COMBUSTIBLE disponible en el mercado agregado a la gasolina para aumentar la vida útil de la gasolina. Haga funcionar la unidad durante 5-10 minutos para hacer circular la gasolina tratada en el carburador de las líneas de combustible antes de apagarse. **NO GUARDE EL GENERADOR SIN ESTABILIZADOR DE COMBUSTIBLE EN EL SISTEMA DE COMBUSTIBLE, INCLUYENDO TANQUE, LÍNEAS DE COMBUSTIBLE Y CARBURADOR.**
- Cualquier daño o daño causado por el uso de combustible inadecuado, combustible almacenado incorrectamente y / o estabilizadores de formato incorrecto, no están cubiertos por la garantía del fabricante.
- No guarde gasolina de una estación a otra.

## **Carga y mantenimiento de la batería**

**Esta batería enciende el motor de arranque y el módulo de control en este generador.** Este producto está equipado con un circuito de carga de batería automático. La batería recibirá voltaje de carga cuando el motor esté en funcionamiento. La batería mantendrá una carga adecuada si la unidad se utiliza en una base regular (alrededor de una vez cada dos semanas). Si se usa con menos frecuencia, la batería debería estar conectada a un cargador gradual (no incluido) o un mantenedor de batería (no incluido) para mantener la batería debidamente cargada. Si la batería no puede encender el motor, se puede encender manualmente solo en la posición "GAS", estirando la cuerda de retroceso del motor. Si el voltaje de la batería es extremadamente bajo, el circuito de carga podría no poder recargar la batería. En este caso, la batería debe conectarse a un cargador de batería automático estándar para recargarla antes de ser utilizada.

### **ADVERTENCIA**

El escape del generador contiene gas monóxido de carbono inodoro e incolor.

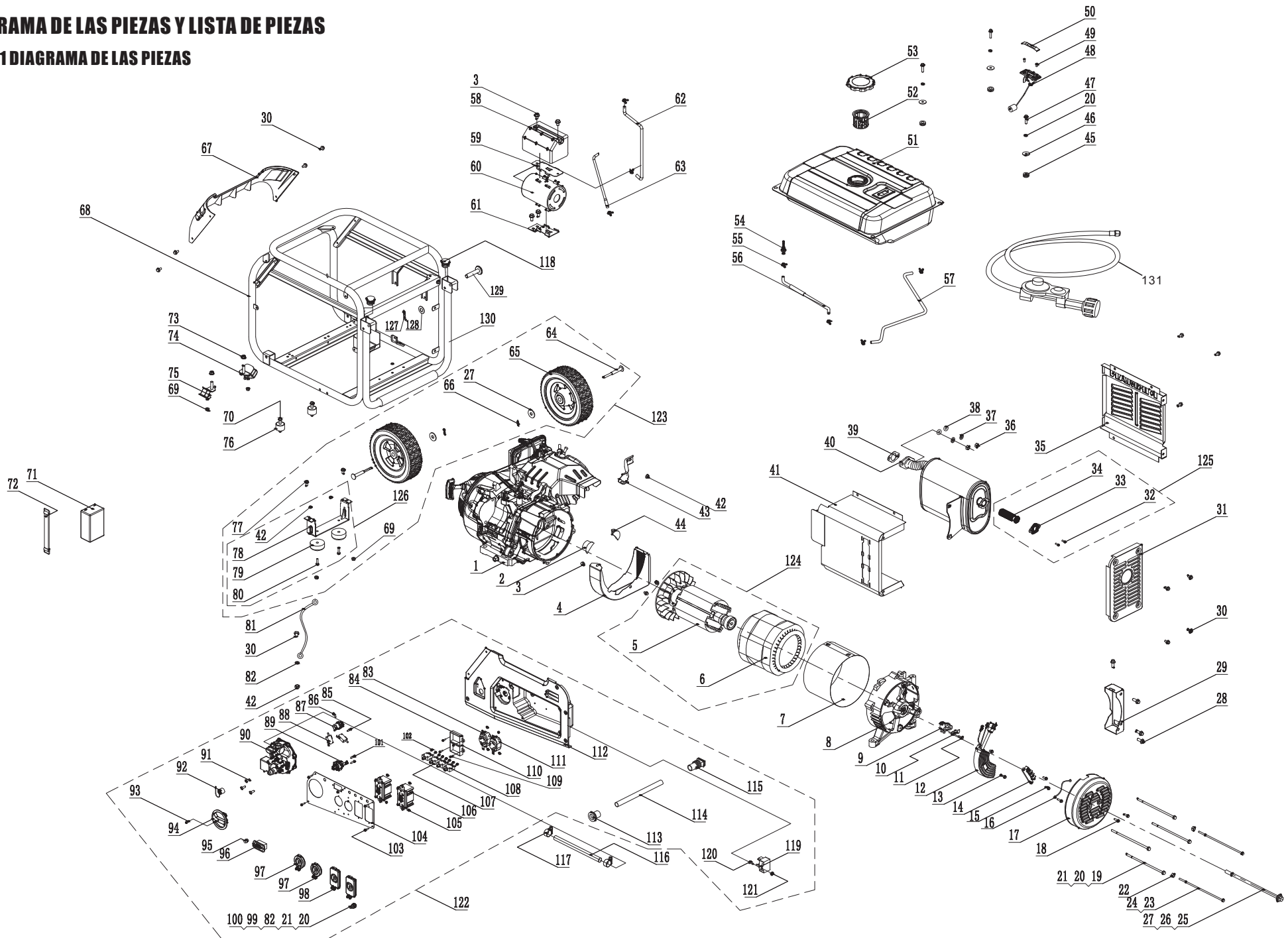
Para evitar una ignición accidental o no intencionada de su generador durante períodos de almacenamiento, se deben seguir las siguientes precauciones: Cuando almacene el generador para períodos de tiempo cortos

## LOCALIZACIÓN Y RESOLUCIÓN DE PROBLEMAS

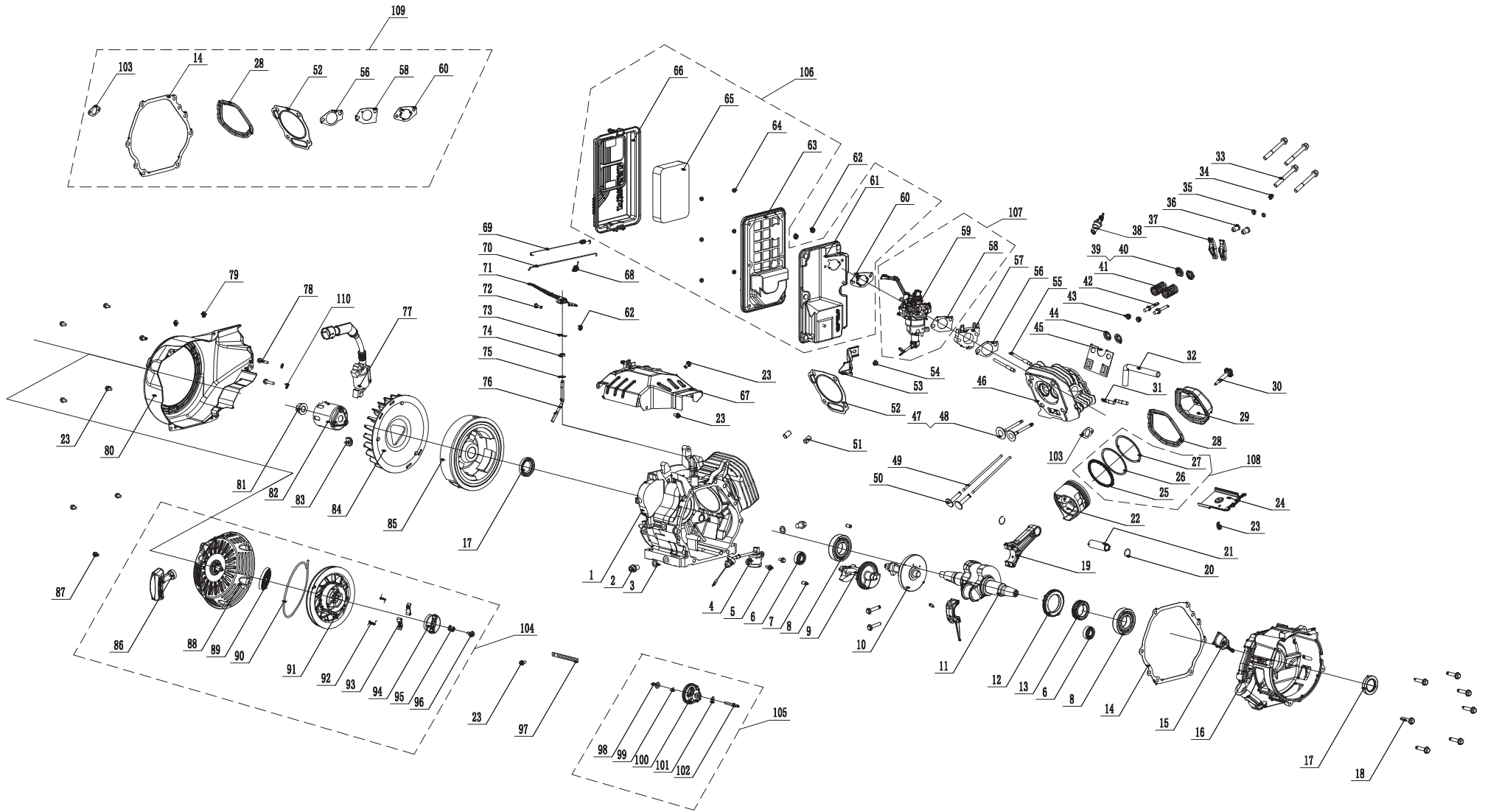
Problema	Motivo	Corrección
<b>El motor funciona, pero no hay ninguna salida de CA disponible.</b>	<ol style="list-style-type: none"> <li>1. El cortacircuitos está abierto.</li> <li>2. Desperfecto en el generador.</li> <li>3. Mala conexión o conjunto de cuerdas defectuoso.</li> <li>4. El dispositivo está mal conectado.</li> </ol>	<ol style="list-style-type: none"> <li>1. Reinicie el cortacircuitos.</li> <li>2. Contacte con instalación de servicio autorizado.</li> <li>3. Revise y repare.</li> <li>4. Conéctelo a otro dispositivo que esté en buenas condiciones.</li> </ol>
<b>El motor funciona bien sin carga pero funciona con dificultades cuando las cargas están conectadas.</b>	<ol style="list-style-type: none"> <li>1. Cortocircuito en una carga conectada.</li> <li>2. La velocidad del motor es demasiado lenta.</li> <li>3. El generador está sobrecargado.</li> <li>4. El circuito del generador se ha cortado.</li> <li>5. El filtro del combustible está obstruido o sucio.</li> </ol>	<ol style="list-style-type: none"> <li>1. Desconecte la carga eléctrica cortada.</li> <li>2. Contacte con servicio de instalación autorizado.</li> <li>3. Lea el apartado "No sobrecargue el generador".</li> <li>4. Contacte con instalación de servicio autorizado.</li> <li>5. Limpie o reemplace el filtro de combustible.</li> </ol>
<b>El motor no se enciende; se enciende y funciona de forma irregular o se apaga cuando está en funcionamiento</b>	<ol style="list-style-type: none"> <li>1. Conmutador selector de combustible En la posición OFF (O).</li> <li>2. El indicador luminoso está apagado o parpadeando en rojo.</li> <li>3. Nivel bajo de aceite.</li> <li>4. Filtro de aire sucio.</li> <li>5. Sin combustible.</li> <li>6. Combustible obsoleto.</li> <li>7. El cable de la bujía no está conectado a la bujía.</li> <li>8. Bujía en mal estado.</li> <li>9. Agua en el combustible.</li> <li>10. Inundado.</li> <li>11. Mezcla de combustible demasiado abundante.</li> <li>12. La válvula de entrada está atascada, abierta o cerrada.</li> <li>13. El motor ha perdido compresión</li> <li>14. Filtro obstruido o sucio.</li> <li>15. A partir de la batería puede tener una carga insuficiente.</li> <li>16. Fuera de GLP.</li> <li>17. Perilla del cilindro de GLP no está abierto.</li> <li>18. Fuera de la energía de la batería.</li> </ol>	<ol style="list-style-type: none"> <li>1. Ponga el selector de combustible a la posición "GLP" o "GAS".</li> <li>2. Debe tener la luz indicadora de color rojo sólido ser capaz de arrancar el motor.</li> <li>3. Llene el cárter hasta el nivel adecuado o ponga el generador en una superficie nivelada.</li> <li>4. Limpie o reemplace el filtro de aire.</li> <li>5. Llene el depósito de combustible.</li> <li>6. Vacíe el depósito del combustible y el carburador; llénelo con combustible nuevo.</li> <li>7. Conecte el cable a la bujía.</li> <li>8. Reemplace la bujía.</li> <li>9. Vacíe el depósito del gas y carburador; llénelo con combustible limpio.</li> <li>10. Espere 5 minutos y vuelva a darle a la manivela del motor.</li> <li>11. Contacte con instalación de servicio autorizado.</li> <li>12. Contacte con instalación de servicio autorizado</li> <li>13. Contacte con instalación de servicio autorizado</li> <li>14. Limpie o reemplace el filtro de combustible.</li> <li>15. Comprobar que la potencia de la batería y la carga de la batería cuando sea necesario.</li> <li>16. Vuelva a colocar el tanque de GLP.</li> <li>17. Perilla del cilindro de GLP totalmente abierta.</li> <li>18. De arranque del motor en la posición "GAS". Cargar o sustituir la batería.</li> </ol>
<b>El motor tiene poca potencia.</b>	<ol style="list-style-type: none"> <li>1. La carga es demasiado alta.</li> <li>2. El filtro de aire está sucio</li> <li>3. El filtro de combustible está obstruido o sucio.</li> <li>4. El parachispas está obstruido.</li> </ol>	<ol style="list-style-type: none"> <li>1. No sobrecargue el generador.</li> <li>2. Cambie el filtro de aire.</li> <li>3. Limpie o cambie el filtro de combustible.</li> <li>4. Limpie o cambie el parachispas.</li> </ol>
<b>El motor "se mueve" o se tambalea.</b>	<ol style="list-style-type: none"> <li>1. El carburador está funcionando con demasiada abundancia o demasiado poca.</li> <li>2. El filtro del combustible está obstruido o sucio.</li> </ol>	<ol style="list-style-type: none"> <li>1. Contacte con instalación de servicio autorizado.</li> <li>2. Limpie o cambie el filtro de combustible.</li> </ol>
<b>El motor se apaga cuando está en funcionamiento.</b>	<ol style="list-style-type: none"> <li>1. Sin combustible.</li> <li>2. El filtro de aire está sucio.</li> <li>3. Nivel de aceite bajo.</li> </ol>	<ol style="list-style-type: none"> <li>1. Llene el depósito de combustible</li> <li>2. Limpie o cambie el filtro de aire</li> </ol> <p>Llene el cárter hasta el nivel adecuado o ponga el generador en una superficie nivelada</p>

# DIAGRAMA DE LAS PIEZAS Y LISTA DE PIEZAS

## H05751 DIAGRAMA DE LAS PIEZAS



# FIRMAN 439cc Motor DIAGRAMA DE LAS PIEZAS



## NO5751 LISTA DE PIEZAS

NO	Número de Pieza	Descripción	Qty.	NO	Número de Pieza	Descripción	Qty.
1	357713593	FIRMAN 439cc Dual Fuel Engine	1	67	357713582	Cubierta Plástica	1
2	357713501	Gorra de goma B	1	68	357713583	Marco	1
3	336713528	Perno de brida M6 x 8	5	69	336713558	Tuerca M8	6
4	357713573	Generador Wind Shield	1	70	357713584	Perno de brida M8 x 35	2
5	357713574	Rotor Assy	1	71	336713838	Batería	1
6	357713575	estator	1	72	336713839	Banda de soporte de la batería	1
7	380713503	Cubierta del estator	1	73	357713531	Tuerca M10	2
8	357713506	Cubierta del generador	1	74	357713532	Aislador 2	1
9	357713507	Ensamble del cepillo del carbón	1	75	357713533	Aislador 1	1
10	336713525	Sostenedor del cepillo del carbón	1	76	357713585	Montaje del motor	2
11	336713524	Conjuntos de tornillos y arandelas	1	77	336713559	Perno de brida M8 x 16	4
12	357713508	AVR	1	78	357713538	Pata de apoyo	1
13	336713519	Perno de brida M5 x 16	2	79	336713557	Caucho, Soporte	2
14	336713523	Bloque de terminales	1	80	336713561	Perno de la brida M6 x 25	4
15	336713520	Perno M5 x 16	2	81	336713514	Cable de tierra	1
16	336713522	Cable de tierra	1	82	336713516	Arandela de estrella externa Ø6	1
17	357713509	Tapa del extremo del generador	1	83	336713601	Receptáculo L14-30R	1
18	336713507	Perno de brida M5 x 12	3	84	336713817	Módulo de control	1
19	336713511	Perno de brida M6 x 179	4	85	336713819	Tornillo roscado St2.9 x 19	2
20	336713512	Arandela de bloqueo Ø6	8	86	336713820	Tornillo roscado St2.9 x 32	1
21	336713513	Arandela Ø6	4	87	336713821	Micro Switch 1	1
22	336713577	Tuerca M5	2	88	336713822	Micro Switch 2	2
23	357713510	Perno de la cubierta lateral M5 x 214	2	89	336713824	Válvula de gasolina	1
24	357713511	Arandela de seguridad Ø5	2	90	336713823	Regulador principal Assy.	1
25	357713512	Perno de brida M10 x 265	1	91	357713594	Tornillo M6 x 12	3
26	357713513	Arandela de seguridad Ø10	1	92	336713826	Cubierta de entrada de GLP	1
27	357713514	Lavadora Ø10	5	93	336713816	Tornillo M4 x 12	1
28	336713531	Perno de brida M8 x 20	4	94	336713815	Selector de combustible	1
29	357713515	Titular, manguito	1	95	336713828	Luz indicadora	1
30	336713515	Perno de la brida M6 x 12	19	96	357713586	multímetro	1
31	357713516	Placa fija del silenciador A	1	97	336713573	Cubierta de salida L5-30R	2
32	336713538	Tornillo y arandela Assy M5 x 14	2	98	357713541	Cubierta de salida 5-20R GFCI	2
33	357713517	Soporte, Parabrisas	1	99	380713512	Bolt M6 x 22	1
34	336713536	Paracaídas, chispa	1	100	380713515	Tuerca M6	2
35	357713518	Silenciador Placa Fija B	1	101	336713830	Tornillo roscado St4.8 x 20	2
36	336713534	Tuerca M8	2	102	336713569	Tornillo y arandela Assy M4 x 8	8
37	336713509	Arandela de seguridad Ø8	2	103	330713582	Tornillo y arandela Assy M4 x 14	6
38	336713533	Arandela plana Ø8	2	104	357713595	Panel de control	1
39	357713520	Gskt., Ext.	1	105	336713568	Tuerca M4	8
40	357713576	Muff., Assy.	1	106	357713588	5-20R Duplex GFCI	2
41	357713523	Silenciador Placa Fija C	1	107	357713589	Disyuntor 24Amp	2
42	336713517	Tuerca M6	4	108	336713585	Disyuntor 20Amp	2
43	357713577	Soporte del filtro de aire	1	109	336713565	Tornillo M5 x 14	4
44	357713524	Gorra de goma A	1	110	336713818	Cargador	1
45	336713542	Ojal, Tanque de combustible	4	111	336713583	Receptáculo L5-30R	1
46	336713543	Tampón del tanque de la lavadora	4	112	357713590	Caja de control	1
47	336713544	Perno de brida M6 x 20	4	113	357713545	Ojal	1
48	357713578	Indicador de combustible Assy.	1	114	357713546	Manga	1
49	336713546	Tornillo M5 x 10	2	115	357713548	Ojal	1
50	336713547	Pantalla del medidor de combustible	1	116	357713591	Manguera de gas	1
51	357713579	Depósito de combustible.	1	117	336713835	Abrazadera metálica (ø8-ø14) x b8	2
52	336713806	Filtro de combustible, malla de alambre	1	118	357713598	Cubierta impermeable	2
53	336713549	Tapa de combustible	1	119	336713643	Módulo de protección VF	1
54	336713807	Ajuste del Tanque con Filtro	1	120	330713502	Tornillo M5 x 20	1
55	336713540	Abrazadera Ø8 x 6	7	121	336713578	Tuerca M5	1
56	357713580	Manguera, combustible 1	1	122	357413511	Panel de control Assy.	1
57	357713581	Manguera, combustible 2	1	123	357413509	Kit de ruedas	1
58	336713636	Protector del cartucho de carbono	1	124	357413510	Conjunto Rotor Y Estator	1
59	336713639	Soporte del cartucho de carbono	1	125	357413503	Spark Arrestor Kit	1
60	336713637	Cartucho de Carbono	1	126	357413506	Montaje de la pata de apoyo	1
61	336713638	Porta contenedores de carbono	1	127	336713590	Pasador, Mango	2
62	380713532	Manguera de vapor 1	1	128	336713844	Arandela Ø8	2
63	380713533	Manguera de vapor 2	1	129	357713596	Pin de eje, mango	2
64	357713535	Pin del eje	2	130	357713597	Asa de manija	1
65	357713592	Rueda	2	131	336713834	Regulador / manguera.	1
66	357713536	Pasador	2				

## FIRMAN 439cc Motor LISTA DE PIEZAS

NO.	Número de Pieza	Descripción	Qty.	NO.	Número de Pieza	Descripción	Qty.
1	380723514	Cárter Comp.	1	59	380723515	Carburador	1
2	357723501	Tornillo de drenaje	2	60	357723554	Gskt., Limpiador de aire	1
3	357723502	Arandela, tornillo de drenaje	2	61	357723555	Codo, filtro de aire	1
4	357723503	Sensor de nivel de aceite	1	62	336723555	Tuerca M6	3
5	357723504	Fig. Bolt M6 x 15	2	63	357723556	Tablilla	1
6	357723505	Cojinete	2	64	357723557	Tuerca M5	6
7	336723501	Pernos de localización	2	65	380723516	Elemento, filtro de aire	1
8	357723506	Cojinete	2	66	357723559	Cubierta, filtro de aire	1
9	357723507	Eje de equilibrio	1	67	357723560	Guía del viento, Top	1
10	357723508	Comp de árbol de levas	1	68	357723561	Primavera gobernador	1
11	380723501	Cigüeñal	1	69	357723562	Primavera, Vuelta del acelerador	1
12	357723510	Engranaje, eje de manivela	1	70	357723563	Rod, gobernador	1
13	357723511	Engranaje	1	71	357723564	Brazo gobernador	1
14	357723512	Gskt., Cubierta del cárter	1	72	336723567	Perno, brazo del gobernador	1
15	357723513	Ensamble de la varilla de nivel de aceite	1	73	357723565	Pin, eje	1
16	357723514	Cubierta, cárter	1	74	357723566	Sello de aceite	1
17	357723515	Sello de aceite	2	75	336723564	balancín	1
18	357723516	Fig. Perno M8 x 40	7	76	357723567	Eje, brazo del gobernador	1
19	357723517	Conn, Rod Comp	1	77	357723568	Bobina de encendido	1
20	357723518	Anillo Retenedor de Pasador de Pistón	2	78	357723569	Fig. Bolt M6 x 29	2
21	357723519	Conector	1	79	336723606	Clip de alambre	2
22	380723502	Pistón	1	80	357723570	Cubierta del ventilador	1
23	336723503	Perno de la brida M6 x 12	8	81	357723571	Tuerca, eje	1
24	357723521	Guía del Aire Baja	1	82	357723572	Polea, arrancador	1
25	380723503	Anillo de aceite	1	83	336723612	Vaina, alambre	1
26	380723504	Anillo, segundo pistón	1	84	380723511	Ventilador	1
27	380723505	Anillo, primer pistón	1	85	380723517	Comp. del volante	1
28	357723525	Junta, tapa de la válvula	1	86	357723577	Apretón, arrancador	1
29	357723526	Cubierta de la válvula Assy	1	87	357723578	Perno de brida M6 x 8	3
30	357723527	Tornillo	1	88	357723579	Caja Comp., Recoil Starter	1
31	357723528	Válvulas de escape	2	89	357723580	Resorte, arrancador	1
32	357723529	tubo de respiración	1	90	357723581	Cable	1
33	357723530	Fig. Bolt M10 x 80	4	91	357723582	Polea, arrancador de retroceso	1
34	357723531	Rotator, válvula de escape	1	92	336723589	Primavera, Patchet	2
35	336723528	Tuerca de bloqueo	2	93	336723590	Patchet, Entrante	2
36	336723529	Tuerca de ajuste, válvula	2	94	336723591	Qué hacer en Pawl	1
37	357723532	Valve Rocker	2	95	336723592	Clip Sprg., Pawl Guía	1
38	336723556	Bujía	1	96	336723593	Screw, Pawl Guía	1
39	357723533	Retenedor, Válvula de admisión	1	97	330723528	Clip de alambre	1
40	357723534	Retenedor, Válvula de escape	1	98	357723584	Buje, engranaje de Governor	1
41	357723535	Muelle, válvula	2	99	336723597	Clip, Governor Gear	1
42	336723537	Perno, brazo oscilante	2	100	357723585	Engranaje gobernador	1
43	357723536	Sello de aceite, válvula	2	101	336723595	Arandela interior, engranaje	1
44	357723537	Retenedor, Válvula	2	102	357723586	Gov., eje de engranaje	1
45	357723538	Placa guía, empujador	1	103	357713520	Gskt., Ext.	1
46	380723506	Cabeza de cilindro	1	104	357423500	Juego de arranque de retroceso	1
47	380723507	Válvula en la toma	1	105	357423501	Conjunto de engranajes gobernantes	1
48	380723508	Válvula de escape	1	106	357423508	Juego de filtro de aire	1
49	357723542	Varilla de empuje	2	107	357423509	Juego de carburador	1
50	357723543	Elevador, válvula	2	108	380423501	Juego de anillos de pistón	1
51	357723544	Pernos de localización	2	109	380423502	Juego de juntas	1
52	380723509	Junta, cil. head	1	110	336723615	Arandela de seguridad	2
53	357723546	Soporte del filtro de aire	1				
54	357723547	Tuerca M6	1				
55	357723548	Tornillo de entrada de aire	2				
56	357723549	Gskt., Aislador	1				
57	357723550	Aislante, Carburador	1				
58	357723551	Gskt., Carburador	1				

## INFORMACIÓN DE SERVICIO

**CONTACTE CON  
EL DEPARTAMENTO  
DE SERVICIO DE PRODUCTO  
DE FIRMAN EN  
1-844-347-6261**

o en [www.firmangenerators.com](http://www.firmangenerators.com)  
para obtener información sobre  
el servicio de garantía o para  
pedir piezas de repuesto  
o accesorios.

### CÓMO PEDIR PIEZAS DE REPUESTO

Incluso equipamiento de calidad como el generador eléctrico que acaba de adquirir puede necesitar piezas de repuesto ocasionalmente, para mantenerlo en buenas condiciones a lo largo de los años. Para pedir piezas de repuesto, por favor proporcione la siguiente información:

1. Modelo No. , Rev. Nivel y No. de Serie y todas las especificaciones que aparecen en la placa del No. de Modelo/ No. de Serie.
2. El Número o números de las piezas en la sección Lista de piezas.
3. Una breve descripción de la problemática con el generador.

### REGISTRE SU PRODUCTO

Registre online su generador Firman en  
[www.firmangenerators.com](http://www.firmangenerators.com)

## GARANTÍA

### Garantía Limitada de Tres (3) Años FIRMAN

#### Calificaciones de Garantía

El GENERADOR FIRMAN registrará la garantía cuando reciba su Carta de Registro de Garantía y una copia de su recibo de compra de uno de los puntos de venta FIRMAN como comprobante de compra. Envíe su registro de garantía y el comprobante de compra en un plazo de diez (10) días tras la fecha de compra.

#### Garantía de Reparación/Repuesto

FIRMAN garantiza al comprador original que los componentes mecánicos y eléctricos estarán libres de defectos en los materiales y fabricación durante el periodo de un (1) año (piezas y mano de obra) y tres (3) años (piezas) desde la fecha original de compra 90 días [piezas y mano de obra] y 180 días [piezas] para uso comercial & industrial. Los gastos de transporte de productos presentados para su reparación o repuesto bajo esta garantía son responsabilidad exclusiva del comprador. Esta garantía sólo se aplica al comprador original y no es transferible.

#### No Devuelva la Unidad al Lugar de Compra

Póngase en contacto con el Centro de Servicio FIRMAN y FIRMAN diagnosticará cualquier problema por teléfono o correo electrónico.

Si con este método no se soluciona el problema, FIRMAN podrá, a su elección, autorizar la evaluación, reparación o repuesto de la pieza o componente defectuosos en un Centro de Servicio FIRMAN. FIRMAN le proporcionará un número de caso para el servicio de garantía. Por favor, consérvelo para consultarlo en el futuro. Las reparaciones o repuestos sin autorización previa, o en un centro de reparación no autorizado, no serán cubiertos por esta garantía.

#### Exclusiones de La Garantía

Esta garantía no cubre las reparaciones y equipos siguientes:

#### Desgaste Normal

Su producto necesita periódicamente repuestos y servicio para un buen desempeño. Esta garantía no cubre la reparación cuando el uso normal haya agotado la vida útil de una parte o del equipo en su conjunto.



---

---

## Instalación, Uso y Mantenimiento

Esta garantía no se aplicará a las partes y / o mano de obra si su producto se considera que ha sido mal utilizado, descuidado, involucrado en un accidente, abusado, cargado más allá de los límites del generador, modificado, instalado incorrectamente o mal conectado a cualquier componente eléctrico. El mantenimiento normal no está cubierto por esta garantía.

## Otras Exclusiones

Esta garantía excluye:

- Defectos cosméticos como la pintura, etiquetas, etc.,
- Desgaste de objetos
- Piezas accesorias,
- Fallos debido a hechos fortuitos y a otros acontecimientos de fuerza mayor que escapan al control del fabricante,
- Problemas causados por piezas que no son originales de FIRMAN.

## Límites de La Garantía Implícita y Daños Consecuentes

FIRMAN se exime de cualquier obligación de cubrir toda pérdida de tiempo, el uso de este producto, flete, o cualquier reclamo incidental o consecuente por parte de cualquier usuario de este producto. ESTA GARANTÍA TOMA EL LUGAR DE CUALQUIER OTRA GARANTÍA, EXPRESA O IMPLÍCITA, INCLUYENDO LAS GARANTÍAS DE COMERCIALIZACIÓN O IDONEIDAD PARA UN PROPÓSITO PARTICULAR.

Una unidad proporcionada como un intercambio estará sujeta a la garantía de la unidad original. La longitud de la garantía de la unidad de intercambio se seguirá calculando en función de la fecha de compra de la unidad original.

Esta garantía le otorga ciertos derechos legales que pueden variar de estado a estado. Su estado puede que también tenga otros derechos a los que pueda acogerse y que no se mencionan en esta garantía.

## Información de Contacto

Puede contactar FIRMAN en:

### Dirección

Firman Power Equipment  
Attn: Customer Service  
8716 West Ludlow Dr. Suite #6  
Peoria, AZ 85381  
[www.firmangenerators.com](http://www.firmangenerators.com)

**Somos FIRMAN el poder - y estamos aquí para usted.**  
**Oficina de servicio al cliente - 1-844-347-6261 (1-844-firman1)**  
**6 AM PST (9am est) hasta las 8pm EST (5PM PST)**  
**Servicio tecnico escritorio - 1-844-347-6261 (1-844-firman1)**  
**6 AM PST (9am est) hasta las 8pm EST (5PM PST)**  
**24 / 7 Tech Support - 1-844-347-6261 (1-844-firman1)**

---

---

# FIRMAN POWER EQUIPMENT INC.

## Garantía Del Sistema De Control De Emisiones

### DECLARACIÓN DE GARANTÍA FEDERAL Y CALIFORNIANA SOBRE EL CONTROL DE EMISIONES DE ESCAPE Y EVAPORACIÓN MOTORES DE GASOLINA

#### SUS DERECHOS Y OBLIGACIONES DE GARANTÍA

La Junta de Recursos del Aire de California, Agencia de Protección Ambiental de EE.UU. ("US EPA") y FIRMAN POWER EQUIPMENT INC.(FIRMAN) se complacen en explicar la garantía del sistema de control de emisiones por evaporación y escape en el 2016-2017 o el posterior Motor Off-Road pequeño ("SORE") y el motor del equipo accionado según corresponda. En California y los EE.UU., SORE y los equipos accionados por motor deben fabricarse y equiparse para cumplir con California según corresponda. En California y EE.UU., SORE y los equipos accionados por motor deben diseñarse, fabricarse y equiparse para cumplir con los altos estándares anti-contaminación de California y EPA Estados Unidos. FIRMAN debe garantizar el sistema de control de emisiones a su SORE y equipo accionado por motor durante el periodo listado abajo siempre que no haya habido abuso, negligencia o mantenimiento inapropiado con su SORE o equipo accionado por motor. Su sistema de control de emisiones de escape pueden incluir piezas como carburadores, sistemas de inyección de combustible, el sistema de encendido, y los convertidores catalíticos. También puede incluir un sistema de control de emisiones por evaporación que puede incluir depósitos de combustible, líneas de combustible, las tapas de combustible, válvulas, latas, filtros, mangueras de vapor, abrazaderas, conectores, cinturones y otros componentes asociados. Para motores menores o iguales a 80 cc, sólo el depósito de combustible está sujeto a los requisitos de la garantía de control de emisiones por evaporación de esta sección (California solamente).

#### RESPONSABILIDADES DE GARANTÍA DE LOS PROPIETARIOS:

Como propietario de SORE o un equipo accionado por motor, es responsable del rendimiento del mantenimiento requerido listado en su manual del propietario. FIRMAN recomienda que guarde todos los recibos de mantenimiento del SORE o equipo accionado por motor, aunque FIRMAN no puede denegar la garantía sólo por falta de recibos.

Como propietario de SORE o un equipo accionado por motor, debería saber que FIRMAN puede denegar la cobertura de garantía si su SORE o equipo accionado por motor o una pieza ha fallado debido al abuso, negligencia, mantenimiento inapropiado o modificaciones no aprobadas.

Es su responsabilidad presentar su SORE o equipo accionado por motor a un centro de servicio o distribución FIRMAN tan pronto como el problema surja. Las reparaciones de garantía deberían completarse en un periodo de tiempo razonable, que no exceda los 30 días. Si tiene alguna pregunta referente a la cobertura de garantía, debería contactar con FIRMAN al 1-844-347-6261.

#### COBERTURA DE GARANTÍA DE EMISIONES GENERALES

Este sistema de control de emisiones está justificada por tres años. El periodo de garantía empieza el día que el motor o equipo es entregado al comprador final. FIRMAN garantiza al comprador final y a cada subsecuente comprador que el motor está: Diseñado, fabricado, y equipado para cumplir con todas las regulaciones aplicables adoptadas por la Junta de Recursos de Aire y EPA (Agencia de Protección Ambiental de Estados Unidos); y libre de defectos en materiales y mano de obra que causen el fallo de una pieza garantizada que debe ser idéntica con referencia a todos los materiales así como la pieza descrita en la petición de certificación de fabricantes de motores.

La garantía de piezas relacionadas con las emisiones es la siguiente:

- 1) Cualquier pieza en garantía que no esté previsto cambiar como parte del mantenimiento requerido en el manual del propietario facilitado, está bajo garantía durante el periodo de garantía indicado más arriba. Si alguna pieza falla durante el periodo de la cobertura de la garantía, esta pieza será reparada o reemplazada por FIRMAN sin cargos para el propietario. Cualquier parte reparada o reemplazada bajo garantía permanecerá en garantía para el periodo restante que dure la garantía. Cualquier pieza en garantía que solamente esté prevista para recibir una inspección regular según el manual del propietario facilitado, estará en garantía durante el periodo de garantía indicado más arriba. Cualquier parte reparada o reemplazada bajo garantía permanecerá en garantía para el periodo restante que dure la garantía.
- 2) Cualquier pieza en garantía que esté previsto cambiar como parte del mantenimiento especificado en el manual del propietario facilitado, está bajo garantía durante el periodo de tiempo anterior al primer punto de repuesto para esta pieza. Si la pieza falla antes del primer repuesto previsto, la pieza será reparada o reemplazada por FIRMAN sin cargos para el propietario. Cualquier pieza reparada o reemplazada bajo garantía permanecerá en garantía por el periodo de tiempo restante antes del primer punto de repuesto para esta pieza.
- 3) Reparar o reemplazar cualquier parte en garantía bajo garantía debe realizarse sin cargos para el propietario en un centro del servicio técnico de la garantía.
- 4) A pesar de las provisiones de la Subsección (4) de más arriba, los servicios o reparaciones de la garantía deben estar proporcionados por FIRMAN, que serán franquiciados para dar servicio a los motores en cuestión.
- 5) Al propietario no se le debe cobrar por las tareas de diagnóstico que lleguen a determinar que la pieza en garantía está, en realidad, defectuosa, siempre y cuando este diagnóstico se lleve a cabo en un centro del servicio técnico de la garantía.
- 6) FIRMAN se hace responsable de los daños ocasionados a otros componentes de motor que sean causa inmediata de un fallo bajo el periodo de garantía de cualquier pieza en garantía.
- 7) A lo largo del periodo de la garantía de las emisiones descrito en la subsección (b)(2), FIRMAN seguirá manteniendo un suministro de las piezas en garantía adecuadas para cumplir con la demanda esperada de estas piezas.
- 8) Cualquier pieza de repuesto que deba ser usada durante cualquier mantenimiento o reparación bajo garantía, será proporcionada sin cargos para el propietario. Dicho uso no reducirá las obligaciones de la garantía del fabricante.

9) Las piezas añadidas o modificadas que no estén exentas por el Air Resources Board (Agencia de Protección Ambiental de California) no deberán utilizarse. El uso de cualquier pieza añadida o modificada que no esté exenta por el último comprador tendrá fundamento para serle denegada la petición de garantía.

El fabricante no se hará responsable de fallos en la garantía de piezas en garantía causados por el uso de piezas añadidas o modificadas no exentas.

### PIEZAS CUBIERTAS POR LA GARANTÍA

A continuación se listan las piezas (si están provistas) cubiertas por la Garantía de Sistemas de Control de Emisiones Federales y de California. Algunas piezas en la lista siguiente podrían requerir un mantenimiento programado y están bajo garantía hasta el primer punto de repuesto previsto para dicha pieza.

1. Sistema de encendido, incluyendo: -Bujía -Bobina de encendido	4. Sistema de inducción por aire, incluyendo: -Tubería de entrada/colector -Filtro de aire
2. Sistema medidor de combustible: -Depósito de combustible -Tapón del combustible -Línea de combustible y accesorios/tornillos relacionados	5. Ensamblaje del respiradero del cárter, incluyendo: -Tubo de conexión del respiradero
3. Ensamblaje del silenciador catalítico, incluyendo: -Colector del escape -Convertidor catalítico -Junta del silenciador -Válvula de tensión	6. Sistema de control de las emisiones de evaporación del depósito de combustible, incluyendo: -Válvulas de purga -Contenedor de carbono -Mangueras de vapor y accesorios/tornillos

### Limitaciones

La presente Garantía de los Sistemas de Control de las emisiones no debe cubrir las siguientes cuestiones:

- (a) Daños emergentes como pérdida de tiempo, molestias, pérdida del uso del motor o equipo, etc.
- (b) Los cargos por diagnóstico e inspección que no den como resultado un servicio calificado cubierto por la garantía.

FIRMAN POWER EQUIPMENT INC.  
firmangenerators@sumec-na.com  
www.firmangenerators.com

**Firman Power Equipment Inc.**  
8716 West Ludlow Dr. Suite #6  
Peoria, AZ 85381  
[www.firmangenerators.com](http://www.firmangenerators.com)

# FIRMAN®

## MANUEL DE PROPRIÉTAIRE CARBURANT À DOUBLE GÉNÉRATEUR



NUMÉRO DE MODÈLE  
**H05752**

Niveau:00

**IMPORTANT:** lisez toutes les précautions et instructions de sécurité avec grand soin avant d'opérer l'équipement.



Assurez que le moteur s'arrête et le niveau avant d'appliquer aucun entretien ou service.

Enregistrez l'information du produit comme référence lors de la commande de pièces ou d'obtenir la couverture de garantie.



**NE PAS RETOURNEZ  
AU MAGASIN!**



APPELEZ-NOUS D'ABORD!  
NUMÉRO D'URGENCE DU CLIENT  
1-844-347-6261

POUR LES QUESTIONS OUR  
SERVICE INFORMATION

Numéro en Série: \_\_\_\_\_

Date D'achat: \_\_\_\_\_

P/N:357745482 Rev:01

# Table des matières

<b>Introduction</b> . . . . .	1	<b>L'entretien Et La Conservation</b> . . . . .	25
<b>Précautions De Sécurité</b> . . . . .	2	Recommandations Générales . . . . .	25
<b>Déballage Du Générateur</b> . . . . .	7	Entretien Du Moteur . . . . .	26
Partis Inclus . . . . .	7	Changement D'huile De Moteur . . . . .	26
<b>Assemblez</b> . . . . .	8	L'entretien Du Filtre D'air . . . . .	26
Installez Le Kit De Roue . . . . .	8	L'entretien De Bougie . . . . .	27
Installez Le Support Du Pied . . . . .	8	Nettoyage Du Filtre De Carburant . . . . .	27
Câble De Connexion De La Batterie . . . . .	9	Inspectez Silencieux Et Pare-étincelles . . . . .	27
<b>Commandes Et Caractéristiques</b> . . . . .	10	L'entretien Du Générateur . . . . .	28
Générateur . . . . .	10	Remplacement de la batterie . . . . .	28
Panneau De Contrôle . . . . .	11	Service and Storage . . . . .	30
<b>Spécifications</b> . . . . .	13	<b>Le Dépannage</b> . . . . .	31
Ajoutez L'huile De Moteur . . . . .	14	<b>Le Schema Des Pieces Et La Liste De Pieces</b> . . . . .	32
Arrêt De L'huile Basse . . . . .	14	Schema Des Pieces . . . . .	32
Ajoutez Le Combustible . . . . .	15	Moteur Schéma Des Pièces . . . . .	33
Opération À La Haute Altitude . . . . .	17	Liste Des Pieces . . . . .	34
Mise À La Terre . . . . .	18	<b>Information De Service</b> . . . . .	36
Connectez Au Système Électrique D'un Bâtiment . . . . .	18	<b>Garantie</b> . . . . .	36
<b>Opération</b> . . . . .	19		
Location De Générateur . . . . .	19		
Protection Contre La Surtension . . . . .	19		
Démarrer Le Générateur (Recoil Démarrer-GAS) . . . . .	20		
Démarrer Le Générateur (Recoil Démarrer-LPG) . . . . .	20		
Connectez Les Charges Électriques . . . . .	22		
S'arrêtez Le Moteur . . . . .	23		
Enfermement De L'huile Basse . . . . .	23		
Ne Pas Surchargez E Générateur . . . . .	24		

# INTRODUCTION

Je vous remercie pour acheter le générateur du FIRMAN.

**Ce manuel contient** l'information de sécurité afin de vous faire prendre conscience des dangers et des risques associés aux produits de générateur et comment y éviter. Ce générateur est dessiné et visé seulement pour fournir énergie électrique dans l'intention d'opérer l'éclairage d'électrique compatible, les appareils, les outils et les charges de moteur, en plus, il ne vise pas à d'autres objets. Il est important que vous lisez et comprenez ces instructions ces instructions totalement avant de tenter de démarrer our d'opérer cet équipement. **Conservez ces instructions originales pour référence future.**

Ce manuel couvre l'opération et la maintenance des générateurs FIRMAN. Toutes les informations dans cette publication se basent sur la dernière information de production disponible au moment de l'approbation pour l'impression. La fabrication réserve le droit de changer, altérer ou d'autre améliorer sagement le générateur et cette documentation à tout moment sans modification préalable.

## Information de Sécurité Importante

Le fabricant ne peut pas anticiper du possible toutes les circonstances possibles qui pourraient impliquer un danger. Les avertissements dans ce manuel et les étiquettes et les décalcomanies apposés sur l'unité donc ne sont pas tout y compris. Si vous utilisez une procédure, une méthode de travail ou technique d'opération que le fabricant ne recommande pas spécifiquement que vous devez satisfaire à vous-même, il est sûr pour vous et les autres. Vous devez aussi assurer que la méthode de travail de la procédure ou la technique d'opération ce que vous choisissez ne rendent pas le générateur dangereux.

## INFORMATION DE SÉCURITÉ



### DANGER

DANGER indique une situation potentiellement dangereuse, s'il ne peut pas éviter, il IRA entraîner la mort ou de graves blessures.



### AVERTISSEMENT

AVERTISSEMENT indique une situation potentiellement dangereuse, s'il ne peut pas éviter, il peut entraîner la mort ou de graves blessures.



### CAUTION

CAUTION indique une situation potentiellement dangereuse, s'il ne peut pas éviter, il peut des blessures .



Fumées Toxiques



Risque De Choc Électrique



Risque D'incendie



Risque D'explosion



Surface Chaude  
Ne Pas Touchez La Surface.



Enchevêtrement Des Pièces  
Tournantes .  
Risque .





Ristourne



Manuel D'opérateur

## Précautions de Sécurité

<b>⚠ DANGER</b>	
Generator exhaust contains carbon monoxide. This is a poison you cannot see or smell. Échappement du générateur contient le monoxyde de carbone. C'est un poison que vous ne pouvez pas voir ou sentir.	
	
NE JAMAIS utilisez dans une maison ou garage. MEME SI les portes et les fenêtres sont ouvertes.	JUSTE utilisez EN DEHORS et loin de fenêtres, portes et événements.
Évitez les autres dangers du générateur. Lisez le manuel avant d'utiliser.	

### **⚠ AVERTISSEMENT**

#### **RISQUE DE GAZ TOXIQUE**



L'échappement du moteur contient le monoxyde de carbone, un gaz toxique peut vous tuer dans quelques minutes. Vous ne pouvez pas le sentir, voir ou goûter. Même si vous ne sentez pas de gaz d'échappement, vous pourriez encore être exposé au gaz du monoxyde de carbone.

- Opérez ce produit juste à l'extérieur loin des fenêtres, portes et ventilation à réduire le risque du gaz de monoxyde de carbone en provenant de l'accumulation et d'être attiré potentiellement vers les espaces occupés.
- Installez des alarmes du monoxyde de carbone à piles ou des alarmes de brancher l'alimentation du monoxyde de carbone avec la batterie de secours selon les instructions du fabricant. Les alarmes de fumée ne peuvent pas détecter le gaz du monoxyde de carbone.
- Ne pas exécuter ce produit à l'intérieur des maisons, garages, sous-sols, espaces sanitaires, abris ou d'autres espaces partiellement fermés, même si l'utilisation de ventilateurs ou de portes ouvertes et les fenêtres pour la ventilation. Le monoxyde de carbone peut mettre en place rapidement dans ces espaces et peut persister pendant des heures, même après ce produit est éteint.

- Toujours placez ce produit sous le vent et pointez l'échappement du moteur loin des espaces occupés. Si vous commencez à vous sentir malade, étourdi ou faible en utilisant ce produit, l'éteignez et le prenez à l'air frais immédiatement. Voyez un docteur. Vous pouvez rencontrer un monoxyde de carbone toxique.

### **⚠ AVERTISSEMENT**

L'échappement du moteur de ce produit contient des chimies reconnues par l'état de Californie à causer le cancer, des malformations congénitales ou d'autres détriments régénérés.

### **⚠ AVERTISSEMENT**

Certains composants dans ce produit et les accessoires associés contiennent des chimies reconnues par l'état de Californie pour causer le cancer, des malformations congénitales ou d'autres détriments régénérés. Lavez les mains après la manipulation.

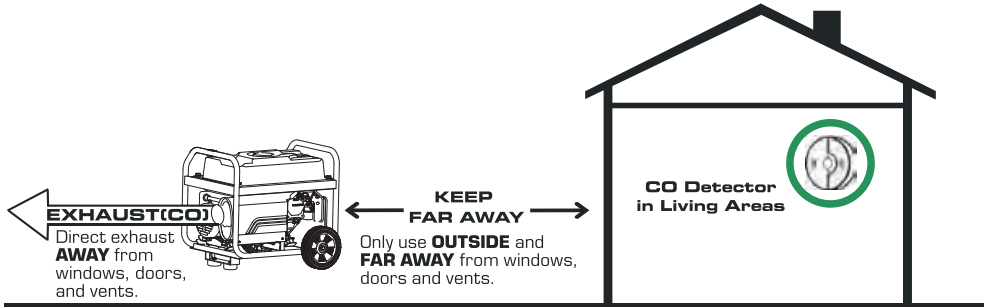
- Si vous commencez à sentir malade, étourdi ou faible en utilisant le générateur portable, vous pouvez rencontrer le monoxyde de carbone toxique. Sortez à l'air frais immédiatement et appelez 911 pour les soins médicaux. Les niveaux très hauts de CO peuvent rapidement causer des victimes à perdre la conscience avant qu'ils puissent sauver eux-même. Ne pas tentez de couper le générateur avant de se déplacer à l'air frais. Entrez dans un espace où le générateur est ou a été en cours d'exécution qui peut vous mettre plus de risque de CO toxique.



## USAGE CORRECT

### Location d'exemple à réduire le risque de monoxyde de carbone toxique

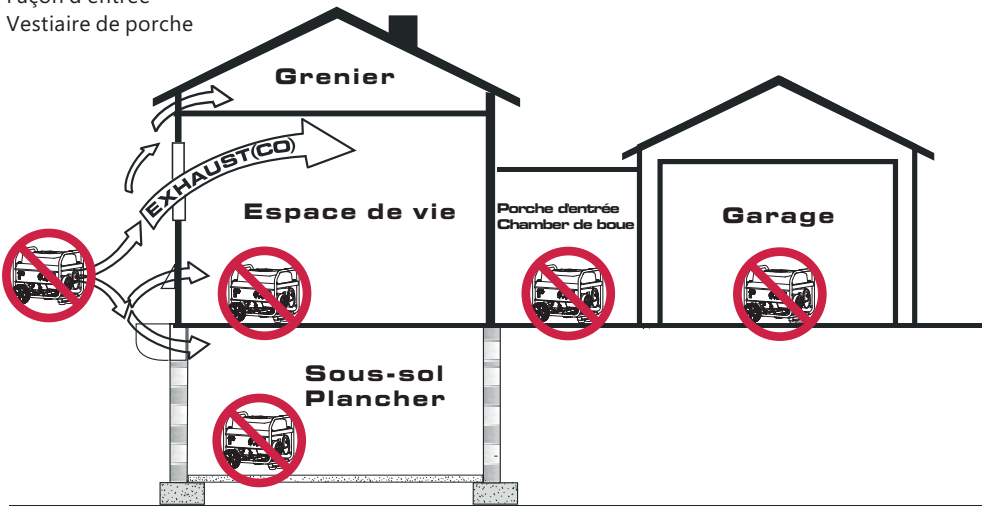
- Juste utilisez à l'extérieur et sous le vent, loin de fenêtres, portes et évents.
- Echappement direct loin des espaces occupés.



## USAGE INCORRECT

### Ne pas opérez dans aucune location suivante:

- Près de toute porte, fenêtre ou ventilation
- Garage
- Sous-sol vide sanitaire
- Espace
- Surface de vie
- Grenier
- Façon d'entrée
- Vestiaire de porche



## **⚠ AVERTISSEMENT**



Rebond de corde de lanceur (retrait rapide) va tirer votre main et votre bras vers le moteur plus rapide que vous pouvez laisser aller ce qui peut causer des OS cassés, des fractures, des contusions, entorses ou provoquant de graves blessures.

- Lors de démarrer le moteur, tirez lentement sur la corde jusqu'à sentir la résistance, et puis tirez rapidement pour éviter tout recul.
- **Ne jamais** démarrez ou arrêtez le moteur avec les appareils électriques qui sont branchés et allumés.

## **⚠ AVERTISSEMENT**



Le combustible et ses vapeurs sont extrêmement inflammables et explosives qui peuvent causer des brûlures, incendie ou explosion en provoquant la mort ou de graves blessures et / ou des dommages des matériels.

### **LORS D'AJOUTER OU D'ÉPUISER LE COMBUSTIBLE**

- Fermez le moteur de générateur et le laissez refroidir au moins de 2 minutes avant d'enlever le bouchon de combustible. Le desserrez lentement pour soulager la pression sur le réservoir.
- Remplissez ou uissez le combustible de réservoir l'xtieur.
- **Ne pas** remplissez le réservoir trop. Prévoyez des espaces pour l'expansion du combustible.
- Si le combustible déborde, atteignez jusqu'il évopore avant de démarrer le moteur.
- Elognez l'issance des incelles, es flammes, des veilleuses, de la chaleur et les autres sources d'gnition.
- Vérifiez les conduites de combustible, le réservoir, le bouchon et les raccords de issues ou de fuites. Remplacez s'il est nessaire.
- **Ne pas** allumez la cigarette ou la fumée.

### **LORS DE DÉMARRER L'ÉQUIPEMENT**

- Assurez la bougie d'allumage, silencieux, bouchon de combustible et purificateur d'air sont en place.
- **Ne pas** aissez tourner le moteur avec la bougie enlev.

### **LORS D'OPÉRER L'ÉQUIPEMENT**

- **Ne pas** opérez ce produit à l'intérieur d'un bâtiment, carport, porche, équipement mobile, application marine ou enceinte.
- **Ne pas** basculez le moteur ou l'équipement à l'angle qui causent le débordement du combustible.
- **Ne pas** arrétez le moteur en dlant le contre de starter en position 'arrer' .

### **LORS DE TRANSPORTER, DÉPLACER OU RÉPARER L'ÉQUIPEMENT**

- Transportez/dlangez/rarez avec le réservoir de combustible VIDE ou avec le combustible avec a alve ferm.
- **Ne pas** asculez le moteur ou l'uipeement l'ngle qui causent le dordement de combustible.
- Déconnectez le fil de bougie d'llumage.

### **LORS DE STOCKER LE COMBUSTIBLE OU ÉQUIPEMENT AVEC LE COMBUSTIBLE DANS LE RÉSERVOIR**

- Stockez loin des fours, cuisinières, chauffages de l'eau, les sécheuses, ou d'autres appareils qui ont la veilleuse ou l'autre source d'inflammation, parce qu'ils peuvent enflammer les vapeurs de combustible.

## **⚠ AVERTISSEMENT**

- Ce générateur ne répond pas à la régulation de garde côtière américaine 33CFR-183 et ne doit pas être utilisé sur les applications marines.
- **Ne pas** utilisez le générateur de la Garde côtière américaine appropriée et approuvée qui peut entraîner la mort ou des blessures graves et / ou des dommages matériels.

## **⚠ AVERTISSEMENT**



La tension de générateur peut causer un choc électrique ou de brûlure provoquant la mort ou des blessures graves.

- Utilisez l'équipement de transfert approuvé, adapté à l'usage prévu pour prévenir les remontées de produits en isolant le générateur des travailleurs de l'électricité

- Lorsque vous utilisez le générateur pour l'alimentation de secours, notifiez des utilisateurs de compagnie.
- Utilisez un disjoncteur de circuit de terre dans une zone humide ou de haute conduction, comme les terrasses en métal ou de travail de l'acier.
- **NE PAS** touchez les fils nus ou les prises.
- **NE PAS** utilisez le générateur avec des cordons électriques usés, effilochés, nus ou endommagés.
- **NE PAS** opérez le générateur dans la pluie ou le climat humide.
- **NE PAS** manipulez le générateur ou les cordons électriques en restant debout dans l'eau, pieds nus ou les mains ou les pieds mouillés.
- **NE PAS** laissez les personnes non qualifiées ou des enfants opérer le service du générateur.

### **AVERTISSEMENT**



Échappement de chaleur/gaz peut enflammer les combustibles, les structures ou le réservoir de combustible de carbone en causant l'incendie, provoquant la mort ou de graves blessures et/ou dommages des matériels.

Contactez avec la zone du silencieux peut causer des brûlures qui peuvent provoquer de graves blessures.

- **NE PAS** touchez les pièces chaudes et évitez le gaz d'échappement chauds.
- Laissez l'équipement refroidir avant de le toucher.
- Il est une violation Code des ressources publiques de Californie, Section 4442, à utiliser ou opérer le moteur sur le recouvert de forêt, la brosse-couverte, ou de l'herbe couverte au moins que le système d'échappement est équipé d'un pare-étincelles, tels que définis dans la section 4442, en bon état de fonctionnement. D'autres états ou juridictions fédérales peuvent avoir des lois similaires. Contactez le fabricant d'équipement d'origine, le distributeur à obtenir un pare-étincelle d'échappement installé sur ce moteur.
- Les pièces de rechange doivent être les mêmes et être installées dans la même position que les pièces d'origine.

### **AVERTISSEMENT**



Unintentional d'allumage peut causer l'incendie ou un choc électrique entraînant la mort ou des blessures graves.

### **LORS DE RÉGLER OU RÉPARER VOTRE GÉNÉRATEUR**

- Déconnectez le fil de bougie d'allumage de la bougie d'allumage et placez le fil où il ne peut pas contacter avec la bougie d'allumage.

### **LORS DE TESTER POUR LE MOTEUR D'ALLUMAGE**

- Utilisez le testeur de bougie d'allumage approuvé.
- **Ne Pas** vérifiez pour l'étincelle avec la bougie enlevée.

### **AVERTISSEMENT**



Démarrez et lest autres pièces tournantes peuvent empêtrer les mains, les cheveux, les vêtements ou accessoires provoquant de graves blessures.

- **Jamais** opérez le générateur sans bâti ou couvercle protecteur.
- **Ne pas** portez d'amples vêtements, des bijoux ou aucun peut être pris dans le démarreur ou d'autres pièces tournantes.
- Attachez les cheveux longues et enlevez les bijoux.

### **CAUTION**

Les vitesses d'opération excessivement élevées peuvent provoquer des blessures mineures. Les vitesses d'opération excessivement faibles imposent une charge lourde.

- **Ne pas** modifiez les ressorts du régulateur, liaisons ou d'autres parts afin d'augmenter la vitesse de moteur. Le générateur fournit une fréquence correctement nominale et une tension lors d'exécuter à une vitesse régulée.
- **Ne pas** modifiez le générateur dans toute façon.

### **NOTE:**

Dépassez la capacité du générateur en watts/ampérage peut endommager le générateur et/ou des appareils électrique lui à connecter.

- **Ne pas** dépassez la capacité de générateur en watt ou ampérage.
- Démarrez le générateur et laissez le moteur stabiliser avant de connecter les charges électriques.
- Connectez les charges électrique en position FERME, et puis allumez pour l'opération.
- Eteignez les charges électriques et déconnectez du générateur avant d'arrêter le générateur.

## REMARQUE:

Un traitement inapproprié de la génératrice pourrait endommager et réduire sa durée de vie.

- Utilisez la génératrice uniquement pour les utilisations prévues.
- Si vous avez des questions sur l'utilisation prévue, demandez votre fournisseur ou contactez le centre de service local.
- N'opérez la génératrice que sur des surfaces planes.
- N'exposez pas la génératrice à une humidité excessive, la poussière, la saleté ou des vapeurs corrosives.
- N'insérez pas d'objets à travers les fentes de refroidissement.
- Si les appareils branchés surchauffent, éteignez-les et déconnectez ces appareils de la génératrice.
- Eteignez la génératrice au cas où:
  - la sortie électrique est perdue.
  - les équipements étincellent, fument ou émettent des flammes.
  - L'unité vibre excessivement.

## ⚠ AVERTISSEMENT

### Utilisations de soutien médical et de vie.

- En cas d'urgence, appelez 911 immédiatement.
- N'utilisez jamais ce produit pour alimenter les équipements de soutien ou d'aide de vie.
- N'utilisez jamais ce produit pour alimenter des dispositifs ou des appareils médicaux.
- Informez votre fournisseur d'électricité immédiatement si vous ou quelqu'un de votre famille dépend de l'équipement électrique pour vivre.
- Informez votre fournisseur électrique immédiatement si la perte de puissance vous cause ou à quelqu'un dans votre famille de connaître une urgence médicale.

## Sécurité de Carburant

### Essence:

## ⚠ DANGER

L'ESSENCE ET LES VAPEURS D'ESSENCE SONT EXTREMEMENT INFLAMMABLES ET EXPLOSIFS. L'incendie ou l'explosion peut causer des brûlures graves ou la mort. Le démarrage accidentel peut entraîner l'enchevêtrement, l'amputation traumatique ou la lésation.

- L'essence peut provoquer un incendie ou une explosion en cas d'inflammation.
- L'essence est un carburant liquide, mais ses vapeurs peuvent s'enflammer.

- L'essence est un irritant pour la peau et elle doit être nettoyée immédiatement en cas de déversement sur la peau ou les vêtements.
- L'essence a une odeur particulière, ce qui vous aidera à détecter les fuites potentielles rapidement.
- En tout incendie de l'essence, les flammes ne doivent pas être éteintes à moins que, ce faisant, la vanne d'alimentation de carburant puisse être fermée. C'est parce que, si le feu est éteint mais l'alimentation de carburant n'est pas fermée, il pourrait créer le risque d'explosion.
- L'essence se dilate ou se contracte en suivant des températures ambiantes. Ne remplissez jamais le réservoir d'essence à pleine capacité, car l'essence a besoin d'espace pour se dilater si la température augmente.

### Gaz de pétrole liquéfié (GPL / propane):

Ce générateur utilise deux carburants et il est capable de fonctionner à la fois avec l'essence et le gaz de pétrole liquéfié (GPL / propane).

## ⚠ DANGER

- Le gaz de pétrole liquéfié (GPL) est hautement inflammable et explosif. Un incendie ou une explosion peut causer des brûlures graves ou la mort.
- N'utilisez pas ni stockez les bouteilles de GPL dans un bâtiment, un garage ou un espace clos.
- Ne vérifiez pas les fuites avec une allumette allumée ou une flamme.
- La valve de la bouteille de GPL doit être complètement fermée lorsque la génératrice n'est pas utilisée ou qu'il fonctionne avec de l'essence.
- Si vous sentez du gaz: fermez l'alimentation du gaz. Assurez-vous qu'il n'y a pas de fuite avant d'utiliser la génératrice.

## ⚠ AVERTISSEMENT

- Les équipements utilisés pour le traitement du GPL doivent être installés et utilisés en stricte conformité avec la norme NFPA 58 (Code du gaz de pétrole liquéfié) et NFPA 54 (gaz de carburant national) et avec tous les autres codes, réglementations et recommandations du fournisseur.
- N'utiliser jamais un réservoir de gaz, un tuyau de connexion du GPL, une bouteille de GPL ou tout autre élément de carburant qui est endommagé ou semble être endommagé.
- La valve de la bouteille de GPL doit être complètement fermée lorsque la génératrice n'est pas utilisée ou qu'il fonctionne avec de l'essence.
- L'assemblage de régulateur / tuyau et la valve de la bouteille doivent être inspectés avant chaque utilisation pour éviter des fuites ou des signes de dommages.

- Si vous sentez du gaz: fermez l'alimentation du gaz. Pulvérisez de la solution d'eau savonneuse pour vérifier l'étanchéité des raccordements avant de tenter d'utiliser la génératrice. Contactez un technicien qualifié pour inspecter et réparer le système de GPL en cas de fuite trouvée avant d'utiliser la génératrice.

## **⚠ PRÉCAUTION**

- Le GPL sous pression est très inflammable et peut provoquer un incendie ou une explosion en cas d'inflammation.
- Le GPL est plus lourd que l'air et peut s'accumuler dans l'espace clos et les lieux bas en cas de fuite.
- LPG a une odeur particulière pour aider à détecter les fuites potentielles.
- Ne laissez pas les enfants manipuler ou jouer avec la bouteille de GPL.
- Dans le cas d'un feu de GPL, les flammes ne doivent pas être éteintes à moins que, ce faisant, la vanne d'alimentation du carburant puisse être fermée. Si le feu est éteint mais l'alimentation du carburant n'est pas fermée, il pourrait causer un risque d'explosion plus grand que le risque d'incendie.
- Gardez tout le temps un extincteur d'incendie près de la génératrice.
- Gardez toujours la bouteille de GPL en position verticale.
- Ne mettez pas la bouteille de GPL à une chaleur excessive.
- Le contact avec du liquide de la bouteille provoquera des brûlures de gel à la peau.
- Une bouteille de GPL non connectée pour l'utilisation ne doit pas être stockée près de la génératrice.
- Lors du transport et de stockage, éteignez le commutateur de la valve de la bouteille et le sélecteur de carburant, et déconnectez la bouteille.

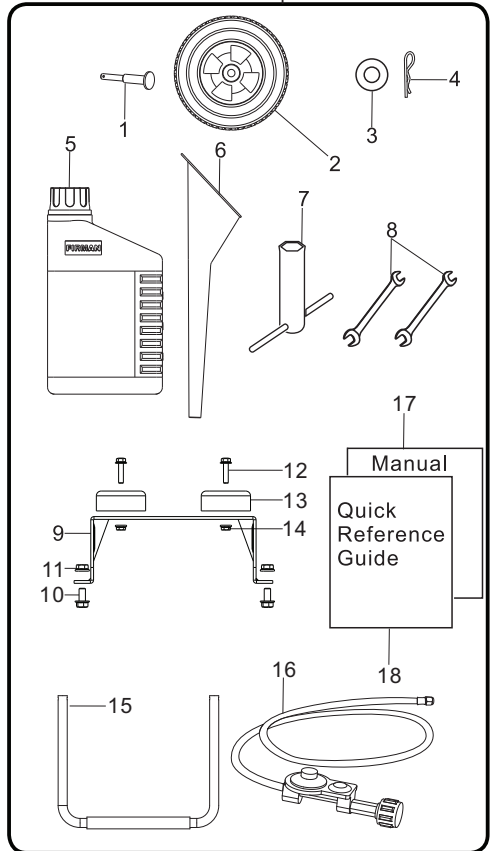
## **DÉBALLAGE DU GÉNÉRATEUR**

- Ouvrez la boîte et enlevez les matériaux d'emballage.
- Enlevez le générateur, boîtes d'accessoires, et de la littérature à partir de carton. Si des éléments sont manquants ou endommagés, contactez notre service de produit au 1-844-347-6261.

## **Parts Inclus**

Vos navires de générateur à gaz avec les parts suivants:

1. Goupille De Pont .....	2
2. Roué De 10.0" .....	2
3. Rondelle Plate .....	2
4. Goupille Fendue .....	2
5. Huile De Moteur (bouteille) .....	1
6. Entonnoir D'huile .....	1
7. Clé Pour Bougie D'allumage .....	1
8. Clé À Ouverture Double (10mm & 12mm) ..	2
9. Jambe De Support Avec Des Supports De Vibration ..	1
10. Boulon De Bride (M8x16 Pour Les Jambes De Supports) ..	2
11. Écrou De Bride De Blocage (M8) .....	4
12. Boulon De Bride M6x25 .....	2
13. Support En Caoutchouc .....	2
14. Écrou De Bride De Blocage (M6) .....	4
15. Poignée .....	1
16. Tuyau De Gpl Avec Régulateur, 5 Pieds (1.5 M) ..	1
17. Manuel .....	1
18. Guide De Référence Rapide .....	1



## ASSEMBLEZ

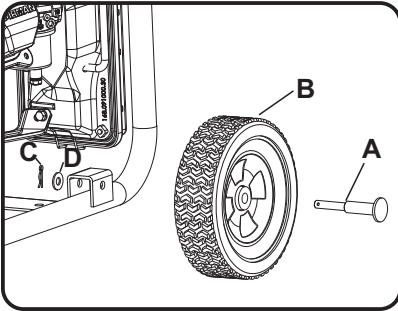
Le générateur exige un certain usage. Si le problème se pose lors de l'assemblage du générateur, appelez 1-844-347-6261.

## Installez Le Kit De Roue



**CAUTION**

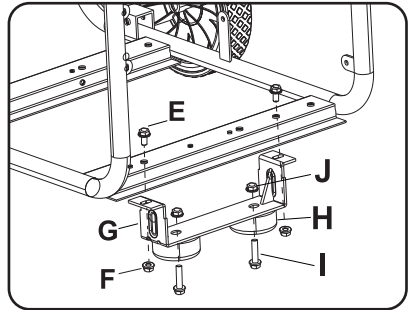
Le kit de roue n'est pas conçu pour l'utilisation sur la route.



1. Avant d'ajouter des roues, inclinez le générateur sur son côté.
2. Faites glisser l'axe de l'essieu **A** dans la roue **B**.
3. Faites glisser l'axe de l'essieu **A** à travers le point de montage sur le cadre et la rondelle **D**.
4. Fixez l'axe de la roue et l'axe avec la goupille **C**.
5. Répétez les étapes 2-4 pour fixer une autre roue.

## Installez Le Support Du Pied

1. Fixer le support en caoutchouc (**H**) à la jambe de support (**G**) avec le boulon à bride (**I**) (M6X25) et l'écrou à bride (**J**) (M6).
2. Fixez le pied de support **G** au cadre du générateur avec des boulons **E** (M8x16) et de la bride contre-écrous **F** (M8).
3. Inclinez légèrement le générateur de manière à ce qu'il repose sur les roues et la jambe d'appui.
4. Serrez la vis et l'écrou **E** et **F** avec le fournissement des serre-écrous.

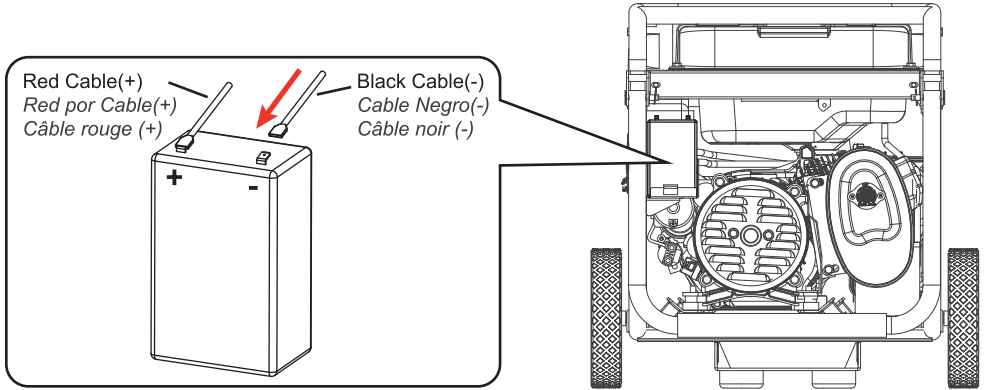


## Câble De Connexion De La Batterie

### NOTE:

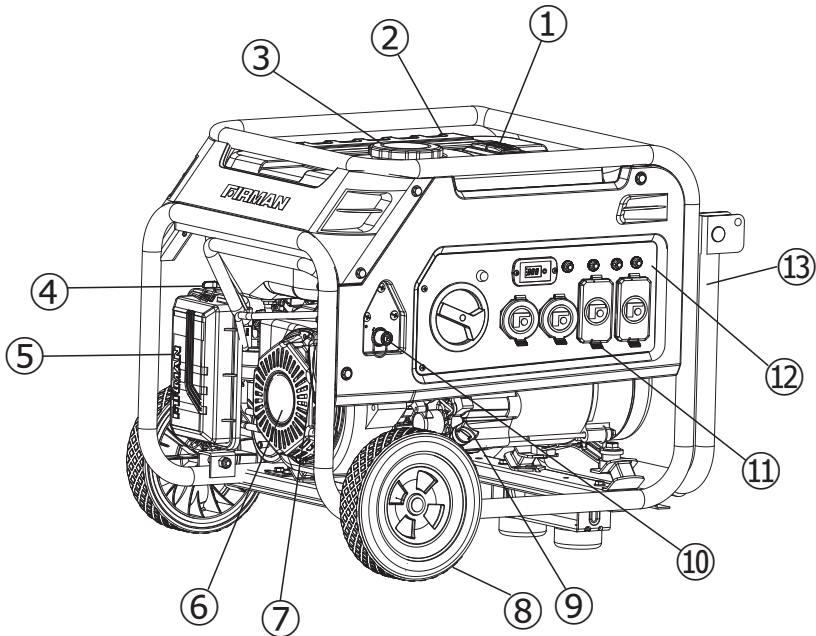
Le générateur est équipé du câble rouge positif (câble rouge) déjà fixée.

1. Vérifiez que le (+) câble rouge positif est bien serré à la borne positive (+) terminal.
2. Connecter le négatif (-) câble noir négatif (-) de la batterie.



# CONTRÔLES ET CARACTÉRISTIQUES

## Générateur



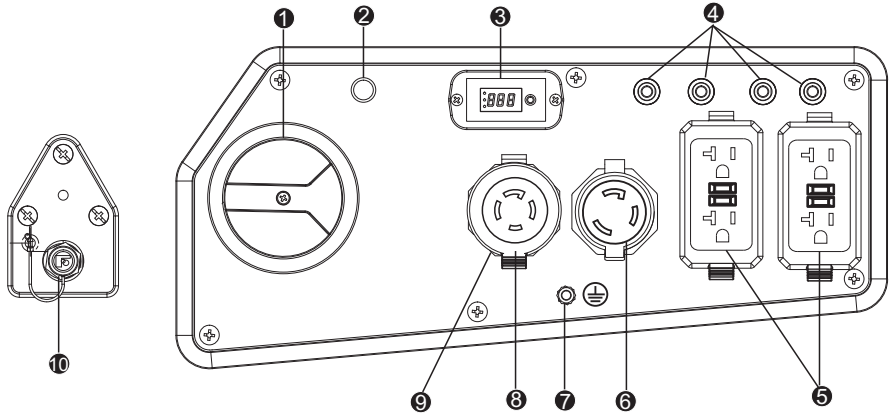
- 1- Jauge De Combustible
- 2- Réservoir De Combustible De Capacité 8 Gallon
- 3- Bouchon De Combustible
- 4- Levier D'étranglement
- 5- Filtre À Air
- 6- Moteur 439cc Firman OHV
- 7- Démarrage De Recul

- 8- 10.0" à plate roue libre
- 9- Bouchon de filtre d'huile
- 10- Raccord de tuyau GPL (entrée)
- 11- Couverture de sortie
- 12- Panneau de contrôle
- 14- Manipulez

\*Nous travaillons toujours à améliorer nos produits. Par conséquent, le produit ci-joint peut différer légèrement de l'image sur cette page.



## Panneau de Contrôle



**NOTE:** Puissance totale tirée de tous les réceptacles ne doit pas dépasser la valeur nominale de la plaque signalétique.

- 1 Sélecteur de carburant** - Permet de sélectionner et de Sur l'essence ou la source de carburant LPG. Carburant (essence) la vanne est fermée lorsque le commutateur est sur "OFF" ou positions "GPL". L'interrupteur du moteur est Le commutateur se trouve sur les positions "GAZ" ou "GPL".
- 2 Voyant Lumineux**  
Lorsque le sélecteur de carburant est tourné vers la position «GAZ» ou « GPL », le voyant deviendra ROUGE jusqu'à 4 minutes (avant de s'éteindre). Le démarrage du moteur avec succès durant ces **4 minutes** tournera la lumière du voyant en VERT. DOIRE AVOIR LE VOYANT ROUGE SOLIDE POUR POUVOIR DEMARRER LA GENERATRICE. LA GENERATRICE NE PEUT PAS ETRE DEMARREE EN MODE D'ECONOMIE D'ENERGIE DE LA BATTERIE, SAUF SI LE SELECTEUR DE CARBURANT EST TOURNE VERS LA POSITION "OFF", PUIS SE RETOURNA VERS LA POSITION "GAZ" OU "LPG".  
Voir la partie mode d'économie d'énergie de la batterie pour plus d'informations.
- 3-1 Data-Minder (multimètre)** - Appuyez sur le bouton SELECT pour afficher le voltage, hertz et la durée de fonctionnement.
- 4 Disjoncteurs** - Les prises sont protégées par un protecteur de circuit du courant alternatif. Si le générateur est surchargé ou un court-circuit externe se produit, le protecteur de circuit se déclenche. Si ceci a lieu, débranchez toutes les charges électriques et essayez de déterminer la cause du problème avant d'essayer de le réutiliser. Si la surcharge cause le protecteur de circuit de déclenchement, réduisez la charge.  
**Note:** Déclenchement continu du protecteur de circuit peut causer des dommages au générateur ou à l'équipement. Le protecteur de circuit peut être remis à zéro en appuyant sur le bouton du protecteur.
- 5 120V, 20A Duplex GFCI (disjoncteur de fuite à la terre)** - (NEMA 5-20R)  
Ce réceptacle est évalué de sorte qu'un total de 20 ampères peut être établi indépendamment du fait que les deux moitiés ou un seul réceptacle est utilisé.  
Les Interrupteurs de circuit de pannes mis à la terre sont conformes à la norme UL 943 et aux exigences NEC. Cet appareil vous protège contre les chocs électriques dangereux qui peuvent être causés si votre corps devient une voie à travers laquelle l'électricité se transporte pour atteindre la terre. Cela peut se produire lorsque vous touchez un appareil ou cordon est «branché» à travers le mécanisme défectueux, l'isolation humide ou usée, etc.

- ⑥ **120V, 30A Twist-Lock** - (NEMA L5-30R) Une charge pleine maximum de 30 ampères peut être tirée de ce réceptacle de 120 Volts.
- ⑦ **Terminal de Terre** - Consultez un électricien pour la régulation de terre locale.
- ⑧ **120 / 240V, 30A Twist-Lock** - (NEMA L14-30R) Une charge pleine maximum de 30 ampères peut être tirée de ce réceptacle de 120/240 Volts.
- ⑨ **Couverture de Sortie** - Protégez les récipients de poussière et de débris.
- ⑩ **Raccord de tuyau GPL (entrée)** - Utilisé pour connecter les tuyaux de GPL à la génératrice.

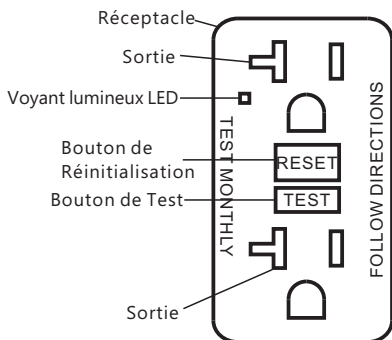
## 120VAC, 20AMP RÉCEPTACLE GFCI

Cette unité est équipée d'un disjoncteur de fuite à la terre (GFCI). Cet appareil est conforme aux codes fédéraux, provinciaux et locaux en vigueur.

Un réceptacle de GFCI est différent d'un réceptacle classiques. Dans le cas d'un défaut à la terre, un GFCI se déclenchera et arrêtera rapidement le courant d'électricité pour éviter des blessures graves.

Définition: Au lieu de suivre sa trajectoire normale et sécuritaire, l'électricité passe à travers un corps d'une personne pour atteindre la terre. Par exemple, un appareil défectueux peut provoquer un défaut à la terre.

Un réceptacle de GFCI ne protège pas contre les surcharges de circuit, les courts-circuits ni des chocs. Par exemple, un choc électrique peut encore se produire si une personne touche des câbles électriques branchés tout en se tenant sur une surface non conductrice, comme sur un plancher de bois.



Test du GFCI: Testez la sortie du GFCI chaque mois comme suit:

1. Branchez une lampe de test dans le réceptacle.
2. Démarrez la génératrice, la lampe d'essai doit être allumée.
3. Appuyez sur le bouton "Test" situé à l'avant du réceptacle pour déclencher le dispositif.
4. Cela devrait arrêter le courant d'électricité par éteindre la lampe. Le témoin lumineux du GFCI se débranche.
5. Pour rétablir le courant d'électricité, appuyez sur le bouton "**RESET**" à l'avant du réceptacle. Si le GFCI ne fonctionne pas de cette manière, n'utilisez pas ce réceptacle. Contactez un fournisseur de service ou le service de clients local.
6. Cette sortie est protégée contre les surcharges par un disjoncteur de 20A « appuyer pour réinitialiser ». Utilisez la sortie pour alimenter 120V AC, monophasé, 60 Hz, les charges électriques nécessitant jusqu'à une puissance combinée de 2400 watts (2,4 kW) ou d'un courant de 20 ampères.

### OPERATIONS D'AUTO-TEST

Un réceptacle GFCI d'autotest a toutes les caractéristiques d'un réceptacle GFCI classique. En outre, ce réceptacle se teste périodiquement pour assurer que les électroniques GFCI sont fonctionnelles. Le voyant lumineux sera vert lorsque le GFCI est alimenté par le côté de la ligne et qu'il fonctionne correctement.

**Indications d'autotest:** Si le voyant lumineux est rouge-orange fiable ou qu'il clignote en rouge, il pourrait exister un problème.

Appuyez sur le bouton TEST pour déclencher le GFCI. En cas d'impossibilité pour réinitialiser, remplacez le GFCI.

## SPÉCIFICATIONS

Modèle	H05752
Watts de démarrage	7125(GASOLINE)/7125(LPG)
Watts courir	5700(GASOLINE)/5750(LPG)
Tension CA Nominale	120/240V
Fréquence Nominale	60Hz
Phase	Phase Monoposé
Régulateur de Tension	AVR
Facteur de Puissance	1
Type D'alternateur	Brossé
Moteur	FIRMAN
Type du Moteur	Cylindre Simple, 4 OHV Refoidi Par Air
Déplacement	439cc
Arrêt de L'huile Basse	Yes
Système D'allumage de Feu	Type D'allumage De Feu Statique, Volant Magnétique
Système de Démarrage	Recul
Combustible	L'essence Sans Plomb D'automobile/LPG
Capacité De Réservoir Du Combustible	8 Gallon
Capacité De L'huile De Lubrication	37.2 oz(1.1L)
Type de carburateur	Flotteur
Purificateur d'air	Type de Polyuréthane
Rotation d'arbre	Antihoraire (de P.T.O. Face)
Type de l'huile	Voyez La Section 'ajoutez L'huile De Moteur'

### UN MESSAGE IMPORTANT SUR LA TEMPÉRATURE

Votre produit Firman Power Equipment est dessiné et évalué pour une opération continue aux températures ambiantes jusqu'à 40 ° C (104 ° F). Lorsque votre produit a besoin, votre produit peut être opéré aux températures allant de -15 ° C (5 ° F) à 50 ° C (122 ° F) pendant de courtes périodes. Si le produit est exposé aux températures en dehors de cette plage pendant le stockage, il devrait être ramené dans cette plage avant de l'opération. Dans tous les cas, le produit doit toujours être opéré à l'extérieur, dans un endroit bien ventilé et loin des portes, fenêtres et les autres ventilations.

- Lors de oper au dessus e 77 F (25 C) il peut y avoir ue diminution ans lapuissance.
- Puissance maxmale et le courant sont soumis et limitpar des facteurs ommle cmbustibleBtu ontient la temperature ambiante de la condition d'ltitude du moteur etc.uissance maximale diminue d'environ 3,5% pour chaque 1000 pieds au-dessus u iveau de la meret alement diminue d'environ 1% pour chaque 10 F (6 C) au-dessus de 60 F (16 C) tempature ambiante.

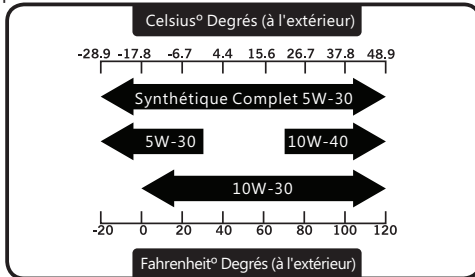
## AJOUTEZ L'HUILE DE MOTEUR

### ⚠ CAUTION

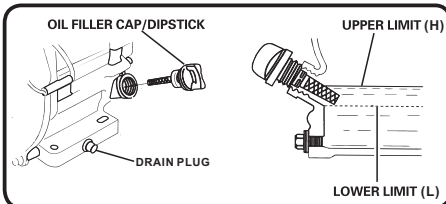
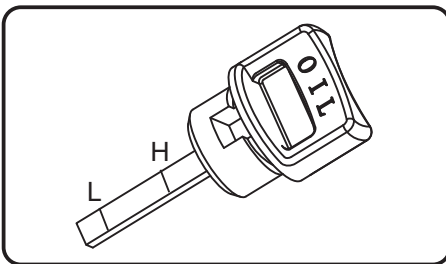
NE PAS tentez de démarrer le moteur avant qu'il ait été rempli proprement avec le type et la quantité d'huile recommandés. Les dommages au générateur comme le résultat d'échec à suivre ces instructions qui peuvent annuler votre garantie.

### NOTE:

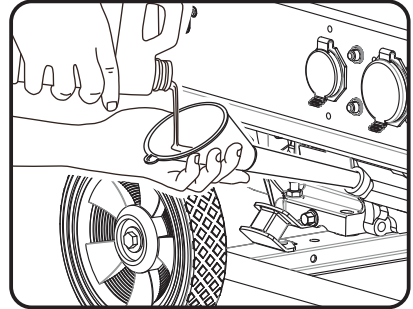
Le type d'huile recommandée est de 10W-30 huile d'automobile. Cependant les températures extérieures déterminent l'espace de viscosité de l'huile propre pour le moteur. Utilisez le tableau pour sélectionner le meilleur pour la plage de température extérieure prévue.



1. Placez le générateur sur une surface de niveau plat.
2. Nettoyez la zone autour de remplissage d'huile et enlevez le bouchon de remplissage jaune / jauge.
3. Essuyez la jauge propre.



4. Utilisez l'entonnoir d'huile, versez lentement le contenu de la bouteille d'huile fournie en remplissage d'huile ouverture à la marque " H1 " sur la jauge. Soyez prudent de ne pas trop remplir. Un remplissage excessif d'huile peut causer le moteur à ne démarrer pas ou le démarrer difficilement.



5. Remplacez le bouchon de remplissage d'huile / jauge et serrez de fond.
6. Le niveau d'huile doit être vérifié antérieur à chaque utilisation ou au moins toutes les 8 heures d'opération. Maintenez le niveau d'huile.

### ⚠ CAUTION

Le moteur est équipé avec une huile à faible arrêt et il va arrêter quand le niveau d'huile dans le moteur tombe en dessous du niveau de seuil.

### NOTE:

Nous considérons les 5 premières heures du temps d'exécution à être la période de rodage pour l'unité. Pendant la période de rodage du séjour est égale ou inférieure à 50% de la puissance en watts d'exécution et varie la charge de temps en temps pour permettre les enroulements du stator afin de chauffer et refroidir. Réglez la charge qui peut provoquer également la vitesse du moteur à varier et aider de segments de piston de siège.

### Arrêt de l'huile basse

L'unité est équipée de fermée d'une huile faible. Si le niveau d'huile devient inférieure à l'exigence, le capteur va activer un dispositif d'avertissement ou arrêter le moteur.

Si le générateur est coupé et le niveau d'huile est conforme aux spécifications, vérifiez à voir si le générateur est assis à un angle qui force l'huile à déplacer. Placez sur une surface plane pour le corriger. Si le moteur ne démarre pas, le niveau d'huile ne peut pas être suffisant pour désactiver le commutateur de niveau d'huile basse. Assurez-vous que le carter est complètement rempli d'huile.

## Ajoutez le Combustible

### 1. Essence

Le combustible doit répondre aux exigences:

- Propre, frais, l'essence sans plomb.
- Utilisez l'essence sans plomb ruliavec le moteur du gateur du minimum 87 octane 87 AKI (91 RON) Pour utiliser l'altitude haute, voyez 'opération sur l'altitude haute'.
- Ne pas utilisez l'essence avec plus de 10% d'alcool comme E85 ou éthanol.

**NOTE:** Évitez le dommage de générateur.

L'éché à suivre le manuel de l'opérateur pour les recommandations du combustible de garantie vide.

- NE PAS utilisez d'essence non approuv comme E85.
- NE PAS mangez l'huile dans l'essence.
- NE PAS modifiele moteur exuteravec des ombustibles.

#### **AVERTISSEMENT**



Le combustible et ses vapeurs sont extrêmement inflammables et explosives qui peuvent causer des brûlures, incendie ou explosion en provoquant la mort, des blessures graves et / ou des dommages des matériels

#### **LORS D'AJOUT DE COMBUSTIBLE**

- Remplissez le réservoir de combustible à l'extérieur.

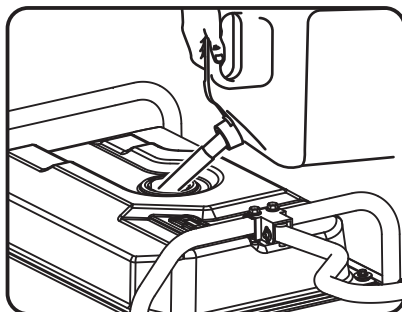


NE PAS trop remplissez le réservoir. Prévoyez un espace pour l'expansion du combustible.

- Si le réservoir est trop rempli, le combustible peut déborder sur un moteur chaud et provoquer l'incendie ou l'explosion. Essayez immédiatement tout combustible renversé.
- Si les dersements de carburant, attendre son aporation comple avant de darrer le moteur.
- Éloignez l'essence des incelles, des flammes, des veilleses, de la chaleur et d'autres sources d'ignition.
- Vérifiez les conduites de combustible, le réservoir, le bouchon et les raccords de fissures ou des fuites. Remplacez si nécessaire.



1. Nettoyez la zone autour du bouchon de remplissage, enlevez le bouchon.
2. Ajoutez lentement du combustible sans plomb dans le réservoir de combustible. Veillez à ne pas remplir au-dessus de l'indicateur au niveau de combustible rouge. Cela permet d'espace suffisant pour l'expansion du combustible.
3. Installez le bouchon de combustible et laissez tout combustible du débordement évaporer avant de commencer le moteur ou essuyer toute essence renversée.



#### **CAUTION**

- Ajoutez l'essence sans plomb lentement au réservoir de combustible.
- Ne pas trop remplissez le réservoir.
- Ne pas remplissez au dessus de l'écran de combustible. Ceci va toute expansion dans le climat chaud et prévenir le débordement.



**IMPORTANT:** Il est important de prévenir la formation de dépôts de gomme dans les pièces du système d'alimentation comme le carburateur, le tuyau de carburant ou le réservoir pendant le stockage. Les combustibles mélangés à l'alcool (appelés gasohol, éthanol ou méthanol) peuvent attirer l'humidité, ce qui entraîne la séparation et la formation d'acides pendant le stockage. Le gaz acide peut endommager le système d'alimentation d'un moteur pendant son stockage. Pour éviter les problèmes de moteur, le système d'alimentation doit être vidé avant stockage de 30 jours ou plus. Voir la section «Stockage à long terme». Ne jamais utiliser de produits de nettoyage du moteur ou du carburateur dans le réservoir de carburant car des dommages permanents peuvent se produire.

### 2-Connexion des bouteilles de gaz de pétrole liquéfié (GPL / propane)

#### **DANGER**

- Le gaz de pétrole liquéfié (GPL) est hautement inflammable et explosif. Un incendie ou une explosion peut causer des brûlures graves ou la mort.
- Ne placez pas la bouteille de GPL dans la voie de la sortie du silencieux.

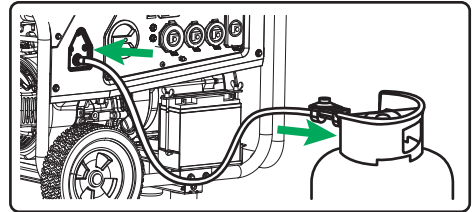
- N'utilisez pas ni stockez la bouteille de GPL dans un bâtiment, un garage ou un espace clos. N'utilisez pas ni stockez la bouteille de GPL dans un bâtiment, un garage ou un espace clos.
- Ne vérifiez pas les fuites avec une allumette allumée ou d'une flamme.
- La valve de la bouteille de GPL doit être complètement fermée lorsque la génératrice n'est pas utilisée ou qu'elle fonctionne à l'essence.
- Si vous sentez le gaz: fermez l'alimentation de gaz. Assurez-vous qu'il n'y a pas de fuite avant d'utiliser la génératrice.



## AVERTISSEMENT

- Les équipements utilisés pour le traitement du GPL doivent être installés et utilisés en stricte conformité avec la norme NFPA 58 (Code du gaz de pétrole liquéfié) et NFPA 54 (gaz de carburant national) et avec tous les autres codes, réglementations et recommandations du fournisseur.
- N'utilisez jamais un réservoir de gaz, un tuyau de connexion du GPL, une bouteille du GPL ou tout autre élément de carburant qui est endommagé ou semble être endommagé.
- La valve de la bouteille de GPL doit être complètement fermée lorsque la génératrice n'est pas utilisée ou qu'il fonctionne avec de l'essence.
- L'assemblage de régulateur / tuyau et la valve de la bouteille doivent être inspectés avant chaque utilisation pour éviter des fuites ou des signes de dommages.
- Si vous sentez du gaz: fermez l'alimentation du gaz. Pulvérisez de la solution d'eau savonneuse pour vérifier l'étanchéité des raccordements avant de tenter d'utiliser la génératrice. Contactez un technicien qualifié pour inspecter et réparer le système de GPL en cas de fuite trouvée avant d'utiliser la génératrice.
- Utilisez seulement les bouteilles de capacité de 20 ou 30 livres avec type 1, la main droite et le filet trapézoïdal pour cette génératrice. Vérifiez que la date de requalification sur le réservoir n'a pas expiré. N'utilisez pas de bouteilles rouillées ou endommagées.
- Tous les nouvelles bouteilles doivent être purgées de l'air et de l'humidité avant le remplissage. Les bouteilles d'occasion qui ne sont pas branchés ou fermées doivent également être purgées. Le processus de purge doit être effectué par votre fournisseur de gaz de propane.
- Ne branchez ou débranchez pas la bouteille de GPL dans les zones closes.

- N'installez ou remplacez pas la bouteille de GPL près des flammes, des veilleuses, ou des équipements électriques s'étincellent tels que les outils électriques, les soudeurs et les broyeurs.



- Fixez l'assemblage régulateur de GPL / tuyau (inclus) au connecteur de tuyau de GPL (entrée) sur le panneau de contrôle de la génératrice. Enserrez l'écrou avec une clé 19 mm ou à molette.
- Retirez le bouchon de sécurité ou le bouchon de la valve de la bouteille.
- Fixez l'autre extrémité de l'assemblage régulateur de GPL / tuyau à la valve de la bouteille. Enserrez l'écrou à la main dans le sens horaire jusqu'à l'arrêt positif. N'utilisez pas une clé pour serrer. L'utilisation de la clé peut endommager rapidement l'écrou de fermeture et entraîner une situation dangereuse.
- N'utilisez pas de ruban adhésif ou aucun type de mastic pour sceller les connexions de tuyau de GPL.
- Vous devez utiliser l'assemblage régulateur de GPL / tuyau fourni pour les opérations en sécurité.
- Positionnez toujours la bouteille de sorte que la connexion entre la vanne et le régulateur ne causera pas de coudes ou nœuds dans les tuyaux.
- Vaporisez une solution d'eau savonneuse (une partie de détergent liquide et une partie d'eau) pour vérifier toutes les connexions pour les fuites avant de tenter d'utiliser la génératrice. Ouvrez lentement la vanne de la bouteille. Il existe une fuite si des bulles apparaissent ou deviennent plus grandes ou plus nombreuses. Cela doit être corrigé avant d'utiliser la génératrice. Contactez votre service d'installation local pour l'aide. N'essayez pas de faire des réparations par vous-même.
- Ne vérifiez pas les fuites avec une allumette allumée ou une flamme.
- N'allumez pas ni fumez de cigarettes.
- Vérifiez le système de carburant pour déceler des fuites ou les signes de dommages.

## **⚠ PRÉCAUTION**

- Le GPL sous pression est très inflammable et peut provoquer un incendie ou une explosion en cas d'inflammation.
- Le GPL est plus lourd que l'air et peut s'accumuler dans l'espace clos et les lieux bas en cas de fuite.
- LPG a une odeur particulière pour aider à détecter les fuites potentielles.
- Ne laissez pas les enfants manipuler ou jouer avec la bouteille de GPL.
- Dans le cas d'un feu de GPL, les flammes ne doivent pas être éteintes à moins que, ce faisant, la vanne d'alimentation du carburant puisse être fermée. Si le feu est éteint mais l'alimentation du carburant n'est pas fermée, il pourrait causer un risque d'explosion plus grand que le risque d'incendie.
- Gardez tout le temps un extincteur d'incendie près de la génératrice.
- Gardez toujours la bouteille de GPL en position verticale.
- Ne mettez pas la bouteille de GPL à une chaleur excessive.
- Le contact avec du liquide de la bouteille provoquera des brûlures de gel à la peau.
- Une bouteille de GPL non connectée pour l'utilisation ne doit pas être stockée près de la génératrice.
- Lors du transport et de stockage, éteignez le commutateur de la valve de la bouteille et le sélecteur de carburant, et déconnectez la bouteille.

### **3-Connexion permanente à un grand réservoir d'alimentation de propane:**

Dans le cas où vous auriez besoin de connecter votre génératrice à un grand réservoir d'alimentation de propane, supérieure à la bouteille de 20 ou 30 livres DOT, il est recommandé de contacter votre société d'équipement de gaz. De divers équipements pour l'utilisation du GPL sont nécessaires pour la conformité appropriée à tous les règlements de la NFPA. Votre société d'équipement de gaz peut vous aider à choisir et installer les régulateurs appropriés, des raccords et des connexions pour répondre à tous les codes et règlements du fabricant. Chaque installation peut être différente et demander des équipements appropriés. Contactez société d'équipement de gaz pour assurer que vous conformer à tous les codes de NFPA 58 (Code de gaz de pétrole liquéfié) et NFPA 54 (Gaz de carburant national).

## **Opération À La Haute Altitude**

Aux altitudes en plus de 5000 pieds (1524 mètres), un indice d'octane au minimum 85/85 AKI (89 RON) l'essence est acceptable.

La densité de l'air à l'altitude haute est inférieure au niveau de la mer. La puissance du moteur est réduite car la masse d'air et de rapport air-combustible diminuent.

La sortie de la puissance du moteur et du générateur seront réduite d'environ 3,5% pour chaque tranche de 1000 pieds d'altitude au dessus du niveau de la mer. Ceci est une tendance naturelle et ne peut pas être modifié en ajustant le moteur. A l'altitude haute, l'augmentation des émissions d'échappement de gaz peut également résulter à cause de l'enrichissement accru du rapport air-combustible.

Les autres questions à l'altitude haute peuvent inclure un démarrage difficile, l'augmentation de la consommation de combustible et l'encrassement des bougies. Pour atténuer les problèmes de haute altitude autres que la perte de puissance naturelle, FIRMAN peut fournir une haute altitude carburateur de gicleur principal. Le jet d'alternatif principal et les instructions d'installation peuvent être obtenus en contactant le support du client. Les instructions d'installation sont également disponibles dans la zone Bulletin technique sur le site internet FIRMAN. Le numéro du part et l'altitude minimale recommandée pour l'application de la haute altitude carburateur gicleur principal est répertorié dans le tableau ci-dessous.

	439cc	Altitude
Le jet principal d'altitude 1	380717004	3000-6000Feet
Le jet principal d'altitude 2	380717005	6000-8000Feet

## **⚠ AVERTISSEMENT**

L'opération à l'aide du jet d'alternatif principal aux altitudes inférieures à l'altitude minimale recommandée qui peut endommager le moteur. Pour une opération aux élévations plus basses, le jet du standard principal doit être utilisé. L'opération du moteur avec la configuration du moteur erroné à une altitude donnée qui peut augmenter ses émissions et diminuer l'efficacité et la performance du combustible.

## Mise À La Terre

Le Code d'électricité National exige votre générateur qui doit être correctement relié à la terre approprié pour éviter les chocs électriques.

### **AVERTISSEMENT**



Echec à mettre à la terre le générateur proprement peut entraîner un choc électrique.

Un terminal de terre reliée au cadre du générateur a été prévu sur le panneau de contrôle. Pour la terre distante, branchez une longueur de gros calibre (12 AWG minimum) de cuivre entre le terminal de terre du générateur et le piquet en cuivre enfoncé dans le sol. Nous vous recommandons fortement de consulter un électricien qualifié pour assurer la conformité aux codes électriques locaux.

IL Y A UN CONDUCTEUR PERMANENT ENTRE LE GÉNÉRATEUR(ENROULEMENT DE STATOR) ET LE CADRE.

## Connectez Au Système Électrique D'un Bâtiment

Connexions pour alimentation de secours au système électrique d'un bâtiment doivent être effectuées par un électricien qualifié. La connexion doit isoler la puissance du générateur de secteur d'alimentation ou d'autres sources d'énergie alternative et doit se conformer à toutes les lois et codes électriques.

### **AVERTISSEMENT**



La tension du générateur peut provoquer un choc électrique ou une brûlure en entraînant la mort ou des blessures graves.

- Utilisez l'équipement de transfert pour vous protéger des retours de produits isolants et des travailleurs électriques.
- Lorsque vous utilisez le générateur pour l'alimentation de secours, avisez les utilisateurs de compagnie.
- Utilisez un joint de terre dans une zone ouverte ou conductrice comme les terrasses en métal ou l'acier.
- NE PAS touchez les fils nus ou les prises.
- NE PAS utiliser le générateur avec des cordons électriques usés, effilochés, nus ou endommagés.
- NE PAS opérez le générateur dans la pluie ou le climat humide.
- Ne pas manipulez le générateur ou les cordons électriques en se tenant debout dans l'eau, pieds nus ou avec les mains ou les pieds mouillés.
- NE PAS laissez les personnes non qualifiées ou des enfants opérer le service du générateur.



## OPÉRATION

### Location de Générateur

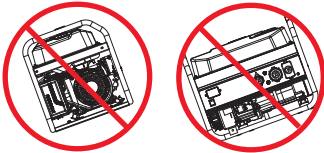
#### **⚠ AVERTISSEMENT**

Assurez-vous vérifier chaque avertissement afin de provenir le danger d'incendie.

- Gardez l'endroit libre de produits inflammables ou autres matières dangereuses.
- Sélectionnez un site sec, bien ventilé et protégé du climat.
- Gardez la pipe d'échappement claire d'objets étrangers.
- Gardez le générateur loin de feu nu.
- Gardez le générateur sur une surface stable et du niveau.

#### **⚠ CAUTION**

Inclinaison peut provoquer des fuites de combustible.



- Ne pas bloquez les événements d'air du générateur avec le papier ou l'autre matériel.

#### **⚠ DANGER**

Generator exhaust contains carbon monoxide. This is a poison you cannot see or smell.  
Échappement du générateur contient le monoxyde de carbone. C'est un poison que vous ne pouvez pas voir ou sentir.



NE JAMAIS utilisez dans une maison ou garage. MEME SI les portes et les fenêtres sont ouvertes.



JUSTE utilisez EN DEHORS et loin de fenêtres, portes et événements.

Évitez les autres dangers du générateur. Lisez le manuel avant d'utiliser.

#### **⚠ AVERTISSEMENT**

### Risque de gaz toxique.



L'échappement du moteur contient du monoxyde de carbone, un gaz toxique qui peut vous tuer dans quelques minutes. Vous ne pouvez pas le sentir, le voir, ni le goûter. Même si vous ne sentez pas de gaz d'échappement, vous pourriez encore être exposé aux gaz de monoxyde de carbone.

- Opérez cet appareil uniquement à l'extérieur loin des fenêtres, portes et ventilations à réduire le risque de monoxyde de carbone en provenant de l'accumulation et potentiellement d'être attiré vers les espaces occupés.
- Installez des alarmes de monoxyde de carbone à piles ou des alarmes de brancher l'alimentation du monoxyde de carbone avec batterie de secours selon les instructions du fabricant. Les alarmes de fumée ne peuvent pas détecter carbone le monoxyde de gaz.
- NE PAS exécutez ce produit à l'intérieur des maisons, garages, sous-sols, les vides sanitaires, abris, ou autres espaces partiellement clos, même si l'utilisation des ventilateurs ou des portes ouvertes et fenêtres pour la ventilation. Le monoxyde de carbone peut rapidement mettre en place dans ces espaces et peut persister pendant des heures, même après que ce produit est éteint.
- TOUJOURS placez ce produit sous le vent et pointez l'échappement du moteur loin des espaces occupés. Si vous commencez à vous sentir malade, étourdi, ou faible en utilisant ce produit, l'éteignez et prenez à l'air frais immédiatement. Voyez un docteur. Vous pouvez rencontrer le monoxyde de carbone toxique.

### Protection contre la surtension

#### **⚠ CAUTION**

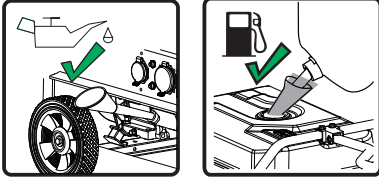
Les fluctuations de tension peuvent entraver le propre fonctionnement du sensible matériel électronique.

Les appareils électroniques, y compris les ordinateurs et de nombreux dispositifs programmables, utilisent des composants conçus pour opérer dans une plage de tension étroite et peuvent être affectés par les fluctuations momentanées de tension. Bien qu'il n'y ait aucun moyen d'empêcher les fluctuations de tension, vous pouvez prendre des mesures pour protéger les sensibles équipements électroniques.

Installez UL1449, CSA-énuméré, parasurtenseurs de brancher l'alimentation sur les prises en alimentant l'équipement sensible. Les parasurtenseurs sont dans des styles simple ou multi-sortie. Ils sont conçus pour protéger virtuellement contre toutes les fluctuations de tension de courte durée.

## Démarrage de la génératrice (Démarrage de recul-Essence)

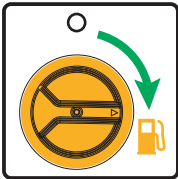
1. Avant de démarrer la génératrice, vérifiez les pièces qui manquent ou lâches et tout dommage qui aurait pu se produire pendant le transport.
2. Vérifier le niveau d'huile et de carburant (essence).



3. Assurez-vous que le bouton de la bouteille de GPL est complètement fermé.

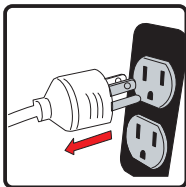


4. Tournez le sélecteur de carburant sur la position «GAZ».

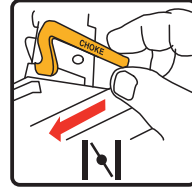


**REMARQUE:** Lorsque le sélecteur de carburant est tourné vers la position «GAZ», le voyant deviendra ROUGE jusqu'à **4 minutes** (avant de s'éteindre). Le démarrage du moteur avec succès durant ces **4 minutes** tournera la lumière du voyant en VERT.

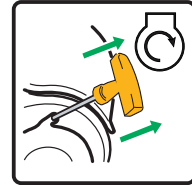
5. Débranchez toutes les charges électriques de la génératrice. Ne démarrez jamais ni arrêtez la génératrice avec des appareils électriques branchés ou allumés.



6. Déplacez le levier de starter sur le moteur à la position «START».



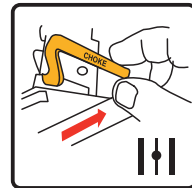
7. Tirez le cordon de starter doucement jusqu'à sentir une résistance, puis tirez rapidement.



**RAPPEL:** DOIRE AVOIR LE VOYANT ROUGE SOLIDE POUR POUVOIR DEMARRER LA GENERATRICE. LA GENERATRICE NE PEUT PAS ETRE DEMARREE EN MODE D'ECONOMIE D'ENERGIE DE LA BATTERIE, SAUF SI LE SELECTEUR DE CARBURANT EST TOURNE VERS LA POSITION "OFF", PUIS SE RETOURNE VERS LA POSITION "GAZ".

Voir la partie mode d'économie d'énergie de la batterie pour plus d'informations.

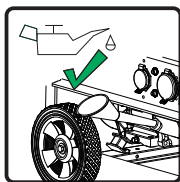
8. Ne démarrez pas trop le starter. Dès que le moteur s'est démarré et se réchauffe, déplacez le levier de starter sur la position "RUN".



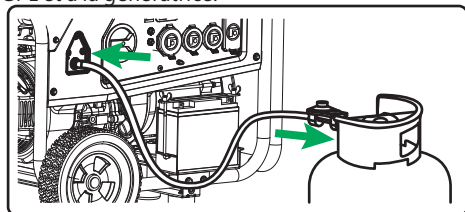
9. Laissez la génératrice fonctionner à vide pendant quelques minutes pour chaque démarrage initial afin de permettre le moteur et la génératrice de se stabiliser.

## Démarrage de la génératrice (Démarrage de recul-GPL)

1. Avant de démarrer la génératrice, vérifiez les pièces qui manquent ou lâches et tout dommage qui aurait pu se produire pendant le transport.
2. Vérifier le niveau d'huile.

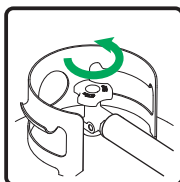


3. Branchez le régulateur à la fois à la bouteille de GPL et à la génératrice.

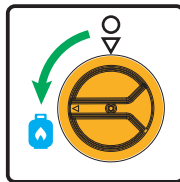


**Remarque:** Ne placez pas la bouteille de GPL dans la voie de la sortie du silencieux.

4. Ouvrez complètement le bouton de la bouteille de **LPG**.

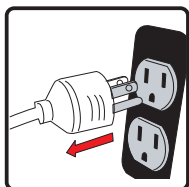


5. Tournez le sélecteur de carburant sur la position "**GPL**".



**REMARQUE:** Lorsque le sélecteur de carburant est tourné vers la position «**GPL**», le voyant deviendra **ROUGE** jusqu'à **4 minutes** (avant de s'éteindre). Le démarrage du moteur avec succès durant ces **4 minutes** tournera la lumière du voyant en **VERT**.

6. Débranchez toutes les charges électriques de la génératrice. Ne démarrez jamais ni arrêtez la génératrice avec des appareils électriques branchés ou allumés.

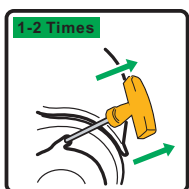


7. Déplacez le levier de starter sur le moteur à la position «**START**».

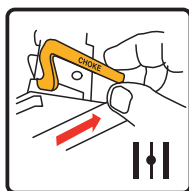


8. **Tirer Pour Amorcer:**

Tirez sur le cordon de démarrage 1-2 fois. Tirez lentement jusqu'à ce que la résistance est senti, puis tirez rapidement.

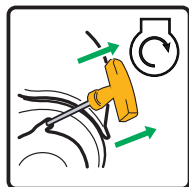


9. Déplacez le levier de starter sur la position "**RUN**".



10. **Tirer Pour Démarrer:**

Tirez sur le cordon de démarrage lentement jusqu'à ce que la résistance soit sentie et tirez rapidement pour faire fonctionner l'unité



Isi le moteur ne démarre pas dans 1-2 tires avec le starter en position "**RUN**", alors déplacez le levier de starter en position "**START**" et répétez l'étape "**tirer Pour Amorcer**".

11. Laissez la génératrice de fonctionner à vide pendant quelques minutes pour chaque démarrage initial afin de permettre le moteur et la génératrice de se stabiliser.

**RAPPEL: DOIRE AVOIR LE VOYANT ROUGE SOLIDE POUR POUVOIR DEMARRER LA GENERATRICE. LA GENERATRICE NE PEUT PAS ETRE DEMARREE EN MODE D'ECONOMIE**

D'ENERGIE DE LA BATTERIE, SAUF SI LE SELECTEUR DE CARBURANT EST TOURNE VERS LA POSITION "OFF", PUIS SE RETOURNA VERS LA POSITION "GPL". Voir la partie mode d'économie d'énergie de la batterie pour plus d'informations.

### **AVERTISSEMENT**



Rebond de corde de lanceur (retrait rapide) va tirer votre main et votre bras vers le moteur plus rapidement que vous pouvez laisser aller ce qui pourrait causer des OS cassés, des fractures, des contusions, entorses ou en entraînant des blessures graves.

Lors de démarrer le moteur, tirez lentement sur la corde jusqu'à sentir une résistance, puis tirez rapidement pour éviter tout recul.

### **REMARQUE:**

Gardez le levier de starter en position "START" pour seulement 1 traction du lanceur. Après la première traction, déplacez le levier de l'étrangleur en position «RUN» jusqu'à les 3 prochaines tractions du lanceur. Trop étranglement conduit à la bougie d'inondations d'encrassement /le moteur à cause de manque d'air entrant. Cela entraînera le moteur de ne pas commencer.

### **REMARQUE:**

Si le moteur démarre après 3 essais, mais ne parvient pas à exécuter, ou si l'appareil éteint pendant l'opération, assurez-vous que l'unité est sur une surface du niveau et vérifiez le niveau d'huile propre dans le carter de moteur. Cet appareil peut être équipé d'un dispositif de protection de l'huile basse. Si oui, l'huile doit être au niveau propre pour le moteur à démarrer.

## **Connectez Les Charges Électriques**

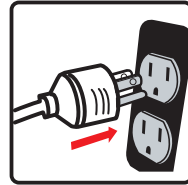
Cette unité a été prétestée et ajustée pour manipuler sa pleine capacité. Avant de démarrer le générateur, débranchez toutes les charges. Appliquez la charge seulement après que le générateur est en marche. La tension est réglée par la vitesse du moteur réglé en usine pour la sortie correcte. Réajustant annulera la garantie.

### **CAUTION**

Lors d'appliquer la charge, ne pas dépassez la puissance nominale au maximum de générateur en utilisant un ou plusieurs récipients. Aussi, ne pas dépassez l'ampérage nominal de chaque prise.

Ne pas appliquez charge électrique lourde pendant la période de rodage (les deux ou trois premières heures de fonctionnements).

1. Laissez le moteur se stabiliser et chauffer pendant quelques minutes après le démarrage.
2. Assurez que le disjoncteur sur le panneau de contrôle est en position.
3. Branchez et mettez sur le désiré de 120 volts de courant alternatif, monophasé, 60Hz charges électriques. Il est préférable de joindre l'élément avec la plus grande première charge.

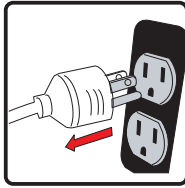


### **NOTE:**

Connectez un générateur aux lignes d'alimentation de votre entreprise électrique d'utilité ou à une autre source d'énergie qui peut être contraire à la loi. En plus de cette action, si mal fait, il pourrait endommager votre générateur et appareils et causer des blessures graves ou même la mort pour vous ou un travailleur d'utilité qui peut travailler sur les lignes électriques à proximité. Si vous envisagez de faire tourner un générateur électrique portable lors d'une panne, s'il vous plaît avisez votre compagnie d'électricité immédiatement et se rappelez de brancher vos appareils directement dans le générateur. Ne branchez le générateur dans une prise électrique dans votre maison. Cela pourrait créer une connexion aux lignes électriques de la compagnie d'électricité. Vous êtes responsable de veiller à ce que l'électricité de votre générateur ne pas réinjecte dans les lignes électriques de l'électricité. Si le générateur est connecté à un système électrique du bâtiment, consultez votre compagnie d'électricité locale ou un électricien qualifié. Les connexions doivent isoler la puissance du générateur du secteur d'alimentation et doivent se conformer à toutes les lois et réglementations applicables.

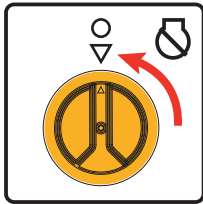
## **S'arrêtez le moteur**

1. Enlevez les charges électriques entières. Ne jamais démarrez ou arrêtez le générateur si les appareils électriques sont branchés ou allumés.

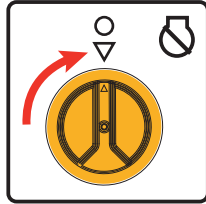


Laissez le générateur tourner sans charge pendant plusieurs minutes afin de stabiliser les températures internes du moteur et du générateur.

2. Tournez le sélecteur de carburant sur la position **OFF (O)**.



**GAS**



**LPG**

3. Fermez complètement le bouton de la bouteille de **GPL**.



Si un couvercle est utilisé, n'installez pas jusqu'à ce qu'il ait refroidi.

**REMARQUE:** Débranchez la bouteille de GPL de la génératrice pendant le transport.

### **⚠ AVERTISSEMENT**



Le carburant et ses vapeurs sont extrêmement inflammables et explosifs qui pourraient causer des brûlures, un incendie ou une explosion entraînant la mort, des blessures graves et / ou des dommages matériels.

**NE PAS** arrêter le moteur en déplaçant la commande de starter en position **"START"**.

**Important:** Assurez-vous toujours que le sélecteur de carburant est en position **«OFF»** lorsque le moteur n'est pas utilisé.

### **REMARQUE:**

Si le moteur n'est pas utilisé pour une période de deux semaines ou plus, voyez la section de Stockage pour un stockage propre du moteur et du carburant.

## **Voyant Lumineux - Mode D'économie D'énergie De Batterie**

Ce générateur est équipé d'un module électronique qui consomme de l'énergie de la batterie. Lorsque le sélecteur de carburant est tourné vers la position **«GAZ»** ou **« GPL »**, le voyant deviendra **ROUGE** jusqu'à 4 minutes (avant de s'éteindre).

Le démarrage du moteur avec succès au cours de ces **4 minutes** tournera le voyant en **VERT**.

Il transfère la génératrice en mode d'économie d'énergie de batterie de démarrage le moteur sans succès ou ne pas tenter de démarrer le moteur du tout pendant ces 4 minutes afin de conserver et augmenter la durée de vie de la batterie.

**DOIRE AVOIR LE VOYANT ROUGE SOLIDE POUR POUVOIR DEMARRER LA GENERATRICE. LA GENERATRICE NE PEUT PAS ETRE DEMARREE EN MODE D'ECONOMIE D'ENERGIE DE LA BATTERIE, SAUF SI LE SELECTEUR DE CARBURANT EST TOURNE VERS LA POSITION "OFF", PUIS SE RETOURNA VERS LA POSITION "GAZ" ou "GPL".**

Arrêt Imprévu:

Le voyant se met à clignoter pendant 4 minutes dans le cas d'un arrêt imprévu tel que l'huile faible, pas de carburant (essence ou GPL), ou tout autre arrêt imprévu. C'est un rappel que la génératrice est en train de convertir en mode d'économie d'énergie de batterie. La génératrice doit être vérifiée pour tout arrêt indésirable.

La génératrice ne peut pas être démarrée pendant ou après les 4 minutes du mode clignotant, sauf si le sélecteur de carburant est tourné vers la position **«OFF»**, puis se retourna vers la position **«GAZ»** ou **« GPL »**.

### **REMARQUE:**

Cette génératrice est équipée d'un circuit automatique de charge de la batterie et la batterie recevra une charge appropriée lorsque le moteur est en marche pour maintenir la batterie chargée.

## **Arrêt de faible huile**

Si l'huile du moteur tombe en dessous d'un niveau prédéfini, un commutateur de l'huile s'arrête le moteur. Vérifiez le niveau de l'huile avec la jauge. Si le niveau de l'huile est entre la marque **BAS** et **HAUT** sur la jauge:

1. Ne pas essayez de redémarrer le moteur.
2. Contactez un concessionnaire du service de **FIRMAN** autorisé.

3. Ne pas opérer le moteur jusqu'à le niveau de l'huile est corrigé.

Si le niveau de l'huile est en dessous de marque de basse:

1. Ajoutez l'huile pour amener le niveau à la marque HAUT.
2. Redémarrez le moteur et si le moteur s'arrête encore, la condition de l'huile basse peut encore exister. Ne pas essayer de redémarrer le moteur.
3. Contactez un concessionnaire du service de FIRMAN autorisé.
4. Ne pas opérer le moteur jusqu'à le niveau de l'huile est corrigé.

### Ne Pas Surchargez Le Générateur

Surchargez un générateur au delà de sa capacité de puissance nominale peut causer des dommages au générateur et aux appareils électriques connectés. Afin de prolonger la vie de votre générateur et appareil attaché, suivez ces étapes à ajouter la charge électrique:

1. Démarrez le générateur sans aucun charge électrique attaché.
2. Laissez le moteur opérer pendant plusieurs minutes à stabiliser.
3. Branchez et allumez sur premier article. Il est le meilleur à attacher l'article avec la charge la plus grande tout d'abord.
4. Laissez le moteur à stabiliser.
5. Branchez et allumez l'article suivant.
6. Laissez le moteur à stabiliser.
7. Répétez étapes 5-6 pour chaque article additionel.

#### REMARQUE:

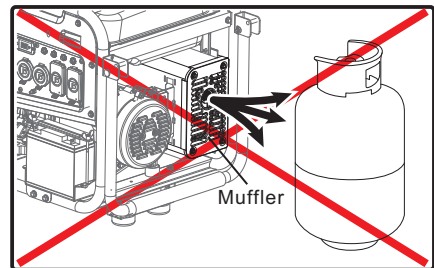
Il est normal de trouver du gel sur le GPL et les régulateurs pendant le fonctionnement et, normalement, il ne constitue pas une indication d'un problème. Puisque le GPL se vaporise et se déplace du réservoir au moteur de la génératrice, il se dilate. La quantité de givre qui se forme peut être affectée par la taille de la bouteille, la quantité de carburant utilisé, l'humidité de l'air et d'autres conditions de fonctionnement. Dans des situations inhabituelles, ce gel peut éventuellement limiter l'écoulement du gaz GPL à la génératrice, ce qui entraîne la détérioration de la performance. Par exemple, si la température du réservoir est réduite à un niveau très faible, alors la vitesse de vaporisation du GPL est également réduite, il peut ne pas fournir

un débit de carburant suffisant pour le moteur. Il ne constitue pas une indication d'un problème avec la génératrice, mais seulement un problème avec le flux de gaz de la bouteille de GPL. Si les performances de la génératrice semblent se détériorer en même temps que la formation de la glace est observée sur la valve du réservoir, le tuyau ou le régulateur, alors il doit prendre certaines actions pour éliminer ce symptôme. Dans ces situations rares, il peut être utile de réduire ou éliminer les effets du système d'alimentation refroidie en effectuant l'une des opérations suivantes:

- Échanger des réservoirs de carburant pour permettre au premier réservoir de se réchauffer, en répétant cette action si nécessaire.
- Placer la bouteille de GPL à l'extrémité de la génératrice à proximité de la poignée, où l'air du ventilateur du moteur sort de la génératrice. Cet air est légèrement chauffé par l'écoulement sur le moteur.

#### **⚠ DANGER**

NE PAS PLACER LE GPL CYLINDRE DANS LE CHEMIN DE SILENCIEUX SORTIE.



- Le cylindre GPL peut être réchauffé temporairement en versant de l'eau chaude sur le dessus de la bouteille.

# L'ENTRETIEN ET LA CONSERVATION

## LE CALENDRI

ITEM	NOTES	Daily(Before operation)	Initial 25 hours	Every 50 hours	Every 100 hours (or annual)
Bougie	Condition d'inspecter. Ajustez l'écart et nettoyez. Remplacez si nécessaire.				✓
Huile de Moteur	Inspectez le niveau d'huile.	✓			
	Remplacez.		✓		✓
Filtre D'air	Nettoyez, remplacez si nécessaire.			✓	
Filtre de Carburant	Nettoyez le filtre de carburant et la passoire à réservoir d'huile. Remplacez si nécessaire.				✓
Tuyau D'huile	Inspectez le tuyau s'il y a de fissures ou d'autre détérioration. Remplacez si nécessaire.	✓			
Système D'échappement	Inspectez la fuite. Resserrez ou remplacez le shimme si nécessaire.	✓			
	Inspectez l'écran du stoppeur de la bougie. Nettoyez /Remplacez si nécessaire..				✓
Carburateur	Inspectez l'étouffement.	✓			
Système de Démarrage	Inspectez le fonctionnement du lanceur.	✓			
Raccords / Attaches	Inspectez et remplacez si nécessaire.				✓

## Recommandations Générales

Un entretien régulier permettra d'améliorer les performances et de prolonger la vie du générateur. Voir les revendeurs autorisés pour le service.

La garantie du générateur ne comprend pas les articles qui appartiennent aux mauvais traitements ou à la négligence de l'opérateur. Pour recevoir la pleine valeur de la garantie, l'opérateur doit maintenir le générateur selon l'instruction dans ce manuel.

Certains ajustements devront être faits périodiquement pour maintenir correctement votre générateur.

Tous les services et ajustements doivent être réalisés au moins une fois chaque saison. Suivez les exigences dans le tableau ci-dessus: le calendrier d'entretien.

**AVIS:** Une fois par an, vous devez nettoyer ou remplacer la bougie et, remplacer le filtre d'air. Les nouvelles bougies et le filtre d'air assurent le mélange carburant-air propre et, vous aident marcher mieux votre moteur et la durer plus longtemps.

## ENTRETIEN DU MOTEUR

Pour empêcher un démarrage accidentel, retirez le fil de contact de la bougie avant d'effectuer tout service.

## CHANGEMENT D'HUILE DE MOTEUR

Changez l'huile de moteur toutes les 100 heures. (pour un nouveau moteur, changez l'huile après 25 heures.)

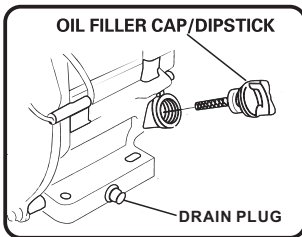
Si vous utilisez votre générateur dans des conditions extrêmement sales ou poussiéreux, ou dans le temps très chaud, changez l'huile plus souvent.

### ⚠ CAUTION

Eviter le contact de la peau durable ou fréquenté avec de l'huile de moteur usagée.

- L'huile de moteur usée a été démontré qu'il cause le cancer de la peau chez certains laboratoires à animaux.
- Lavez soigneusement les zones exposées avec de l'eau et du savon.

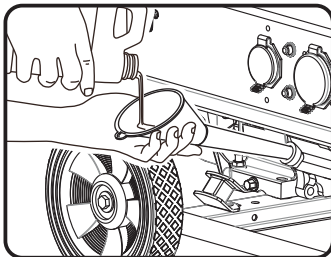
(a) Vidangez l'huile en enlevant le bouchon de vidange et le bouchon de remplissage d'huile alors que le moteur est chaud.



### NOTE:

Veuillez utiliser un conteneur de larguer le pétrole utilisé pour la protection de l'environnement.

(b) Rétablissez le bouchon de vidange et comblez le moteur avec le pétrole jusqu'à ce qu'il atteigne le haut niveau d'huile (H) sur le bouchon.



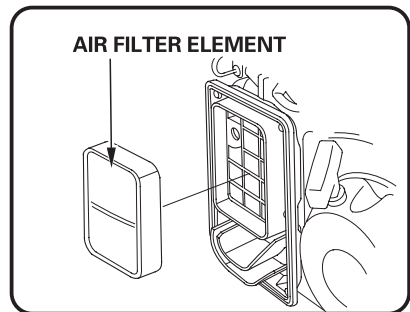
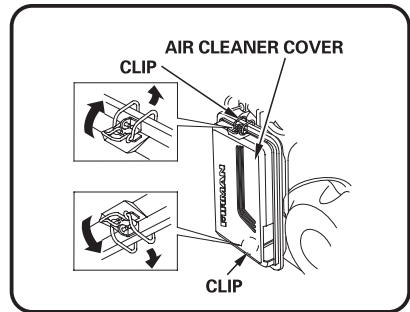
- Utilisez l'huile lubrifiante frais avec la bonne qualité à la quantité spécifiée. Si l'huile contaminée ou détériorée est utilisé ou la quantité de l'huile de moteur ne suffit pas, les dommages du moteur se produit et sa durée de vie sera grandement réduite.

## L'ENTRETIEN DU FILTRE D'AIR

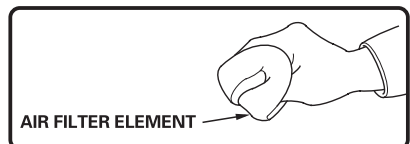
Le maintien d'un filtre d'air en bon état est très important. La saleté induite par mal installé, mal entretenu, ou des éléments de dommages disconvenants et par les moteurs usés.

Toujours garder l'élément propre.

(a) Sortez le filtre d'air, nettoyez-le bien dans le kérosène et le sécher.



(b) Après le mouillage de l'élément nettoyé avec l'huile de moteur, et serré par la main.



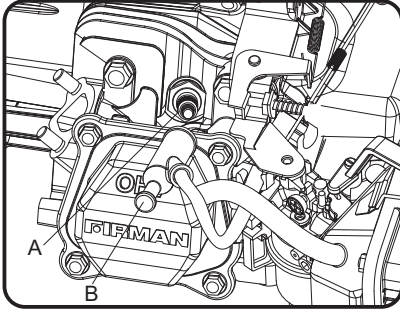
(c) A la fin, mettez l'élément dans le boîtier et l'installez en toute sécurité.



## L'ENTRETIEN DE BOUGIE

Changeant de la bougie aidera votre moteur de démarrer plus facilement et de mieux fonctionner.

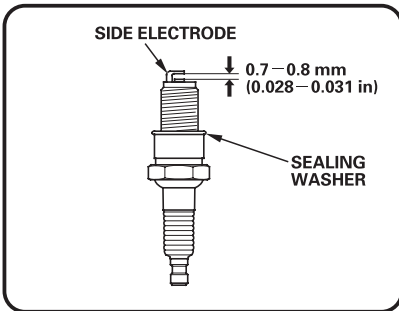
- (a) Retirez le capuchon de bougie.
- (b) Retirez la bougie à l'aide de la clé fournie.



A- Bougie

B- Capuchon de bougie

- (c) Inspectez le dommage de la bougie et le nettoyer avec une brosse métallique avant la réinstallation.
- (d) Ajustez l' écart d'électrode de 0,7 à 0,8 mm (0028 "à 0031").
- (e) Mettez la bougie en position et enfoncez-la avec la main pour éviter les enfler.
- (f) Serrez la bougie avec la clé fournie et mettez le capuchon sur la bougie.



Bougie: TORCH F6RTC  
NGK BPR6ES  
CHAMPION RN9YC ou équivalent.

## INSPECTEZ SILENCIEUX ET PARE-ÉTINCELLES

Inspectez le silencieux pour des fissures, des corrosions ou d'autres dommages.

Retirez le pare-étincelles, en cas d'échappement, et inspectez des dommages ou de blocage de carbone. Si le remplacement de pièces sont nécessaires, assurez-vous d'utiliser uniquement des pièces d'équipement d'origine

### ⚠ AVERTISSEMENT



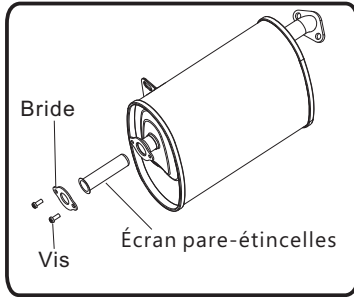
La chaleur d'échappement/gaz pourrait s'enflammer de combustibles, des structures ou des dommages de réservoir causant un incendie, résultant de la mort ou de graves lésions et/ou des biens. La contact avec la zone de la silencieux peut causer des brûlures qui entraîne des blessures graves.

- **NE PAS** toucher les pièces chaudes et évitez d'échappement de gaz chauds.
- Laissez l'équipement refroidir avant de le toucher.
- Gardez au moins 5 pieds (1,5 m) de dégagement de tous les côtés de générateur, y compris le haut.
- La remplacement des pièces doit être les mêmes et installé dans la même position que les pièces d'origine.

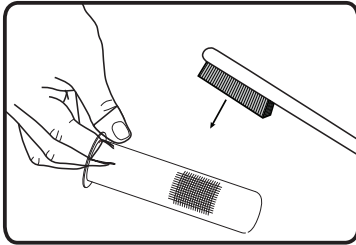
### Nettoyez ou remplacez le pare-étincelles comme suit:

Selon le type de carburant utilisé, le type et la quantité de lubrifiant utilisé, et/ou les conditions de fonctionnement, la partie d'échappement et le silencieux peuvent être obstrués par des dépôts de carbone. Si vous remarquez une perte de puissance, vous devrez peut-être retirer ces dépôts pour rétablir les performances.

1. Laissez le moteur refroidir complètement avant de réparer le pare-étincelles.
2. Retirez les vis de fixation du pare-étincelles en place et le retirer du silencieux.



3. Retirez soigneusement les dépôts de carbone à partir de l'écran pare-étincelles avec une brosse métallique.



4. Remplacez le pare-étincelles si elle est endommagée.

5. Placez le pare-étincelles dans le silencieux et le fixez avec les vis.

### ⚠ CAUTION

Le nettoyage échoué de pare-étincelles s'entraîne une dégradation de la performance du moteur.

## L'ENTRETIEN DU GÉNÉRATEUR

Assurez-vous que le générateur est maintenue propre et stocké correctement. Ne faire fonctionner l'appareil sur une surface plane et à niveau dans un environnement de travail propre et sec. NE PAS exposer l' appareil à des conditions extrêmes, à la poussière, la saleté, humidité ou vapeurs corrosives.

### ⚠ CAUTION

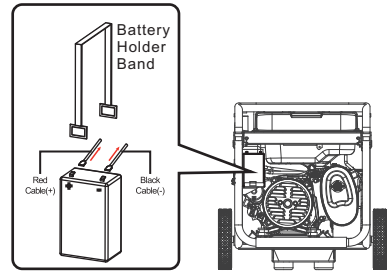
**NE PAS** utiliser un tuyau d'arrosage pour nettoyer le générateur. L'eau peut pénétrer dans le générateur à travers les fentes d'aération et endommager les enroulements de générateur.

Utilisez un chiffon humide pour nettoyer les surfaces extérieures de la génératrice.

Utilisez une brosse à poils doux pour enlever la saleté et l'huile.

Utilisez un compresseur d'air (25 PSI) pour retirer la poussière et les débris du générateur.

la poussière et les débris du générateur. Inspectez tous les évacuations d'air et le slot de refroidissement pour assurer qu'ils sont propres et dégagées.



1. Débrancher la borne négative (-) câble noir négatif (-) de la batterie, déconnectez le positif (+) câble rouge positive (+) de la batterie.

2. Retirer la bande élastique de maintien de la batterie.

3. Retirez la batterie et recycler et éliminer de façon appropriée.

4. Installez la nouvelle pile avec la spécification suivante:

12V plomb scellée 2.5AH acide  
LxWxH:80x70x105mm(3.15x2.75x4.13inch)

5. Rattacher la bande de caoutchouc de support de batterie.

6. Branchez le câble positif de la batterie rouge (+) à la batterie.

7. Connecter le positif noir (-) câble de batterie la deuxième de la batterie.

## SERVICE ET STOCKAGE

### SERVICE PEU FREQUENT

Si l'appareil est rarement utilisé, il peut entraîner des difficultés au démarrage. Pour éliminer un démarrage difficile, suivez les instructions suivantes:

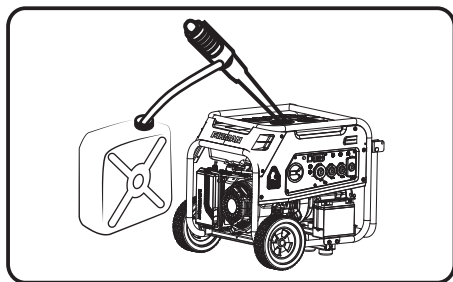
1. Fonctionnez le générateur au moins 30 minutes chaque mois.
2. Fonctionnez le générateur, puis fermez la vanne d'arrêt de carburant et permettez à l'appareil de fonctionner jusqu'à l'arrêt du moteur.
3. Déplacez le commutateur du moteur à la position «OFF».

### STOCKAGE À LONG TERME

Il est important de prévenir la formation de dépôts de gomme dans les parties essentielles du système d'alimentation comme le carburateur, les flexibles de carburant ou le réservoir pendant le stockage. En outre, l'expérience indique que les carburants mélangés à l'alcool (appelés gasohol, éthanol ou méthanol) peuvent attirer l'humidité, ce qui entraîne la séparation et la formation d'acides pendant le stockage. Le gaz acide peut endommager le système d'alimentation d'un moteur pendant son stockage.

Lorsque le groupe électrogène n'est pas utilisé ou est stocké plus d'un mois, suivez ces instructions pour éviter les problèmes du moteur:

- 1-**AJOUTER** un stabilisateur de carburant commercialement formulé au réservoir s'il n'est pas déjà ajouté.
- 2-Faites fonctionner le moteur pendant 5 à 10 minutes pour faire circuler le carburant traité dans les conduites de carburant et le carburateur avant de fermer.
- 3- Une fois le moteur refroidi, retirez toute l'essence du réservoir de carburant. Utiliser un siphon à vide non conducteur et disponible dans le commerce.



### ⚠ DANGER

**Vidanger le carburant dans un récipient approuvé à l'extérieur, à l'écart des flammes nues. Assurez-vous que le moteur est froid.**

**Ne pas fumer.**

**4-FUEL STARVATION:** Mettre le sélecteur de carburant en position "GAS". Démarrer et faire fonctionner le générateur jusqu'à des arrêts de manque d'essence. Cela séchera tout l'essence restée dans le réservoir, les conduites de carburant et le carburateur.

5-Mettre le sélecteur de carburant sur la position "OFF". Fermez complètement le bouton du cylindre de GPL s'il est ouvert et débranchez le cylindre de GPL du générateur.

6-Laissez l'appareil refroidir complètement avant de le nettoyer et de le ranger.

7-Remplacez l'huile par de l'huile recommandée.

8-Enlevez la bougie et versez environ une cuillère à café d'huile moteur dans le trou de la bougie, tirez le démarreur à plusieurs reprises pour distribuer l'huile pour lubrifier le cylindre. Rebranchez la bougie. Tirer lentement le recul jusqu'à ce que la résistance soit ressentie. Cela ferme les vannes afin que l'humidité ne puisse pas entrer dans le cylindre du moteur. Relâcher doucement le démarreur de recul.

9-Couvrez l'appareil et rangez-le dans un endroit propre et sec, à l'abri de la lumière directe du soleil.

**NE JAMAIS UTILISER D'EAU POUR NETTOYER LE GÉNÉRATEUR.**

### REMARQUE :

● Nous recommandons toujours d'utiliser un stabilisateur de carburant. Un **STABILIZER** de **CARBURANT** minimisera la formulation des dépôts de gomme de carburant pendant le stockage, le stabilisateur de carburant peut être ajouté à l'essence dans le réservoir de carburant, ou dans l'essence dans un récipient de stockage.

● S'il n'est pas pratique de vider le réservoir de carburant et que l'appareil doit être entreposé pendant un certain temps, utilisez un **STABILISATEUR DE CARBURANT** disponible dans le commerce, ajouté à l'essence pour augmenter la durée de vie de l'essence. Faire fonctionner l'appareil pendant 5 à 10 minutes pour faire circuler l'essence traitée dans le carburateur de carburant avant de l'arrêter.

**NE PAS ENTREPOSER LE GÉNÉRATEUR SANS**

---

## **STABILISATEUR DE CARBURANT DANS LE SYSTÈME DE COMBUSTIBLE COMPRENANT LE RÉSERVOIR, LES LIGNES DE CARBURANT ET LE CARBURATEUR.**

- Les dommages ou dangers résultant de l'utilisation d'un carburant inadéquat, d'un stockage incorrect de carburant et / ou de stabilisateurs mal formatés ne sont pas couverts par la garantie du fabricant.
- Ne pas stocker l'essence d'une saison à une autre saison.

## **Recharge Et Entretien De La Batterie**

**La batterie alimente le moteur du starter et le module de commande dans cette génératrice.** Ce produit est équipé d'un circuit automatique de charge de la batterie. La batterie reçoit la tension de charge lorsque le moteur est en marche. La batterie maintiendra une charge correcte si l'appareil est utilisé sur une base régulière (environ une fois toutes les deux semaines). Si elle est utilisée moins fréquemment, la batterie doit être connectée à un chargeur d'entretien (non inclus) ou à un mainteneur de la batterie (non inclus) pour maintenir la batterie appropriée chargée. Si la batterie ne peut pas démarrer le moteur, il peut être démarré manuellement uniquement sur la position "GAZ" en tirant le cordon de recul du moteur. Si la tension de la batterie est extrêmement faible, le circuit de charge n'est pas capable de recharger la batterie. Dans ce cas, la batterie doit être connectée à un chargeur de batterie standard de type automobile pour la recharge avant d'être utilisée.

### **AVERTISSEMENT**

Échappement du générateur contient du monoxyde de carbone incolore et inodore.

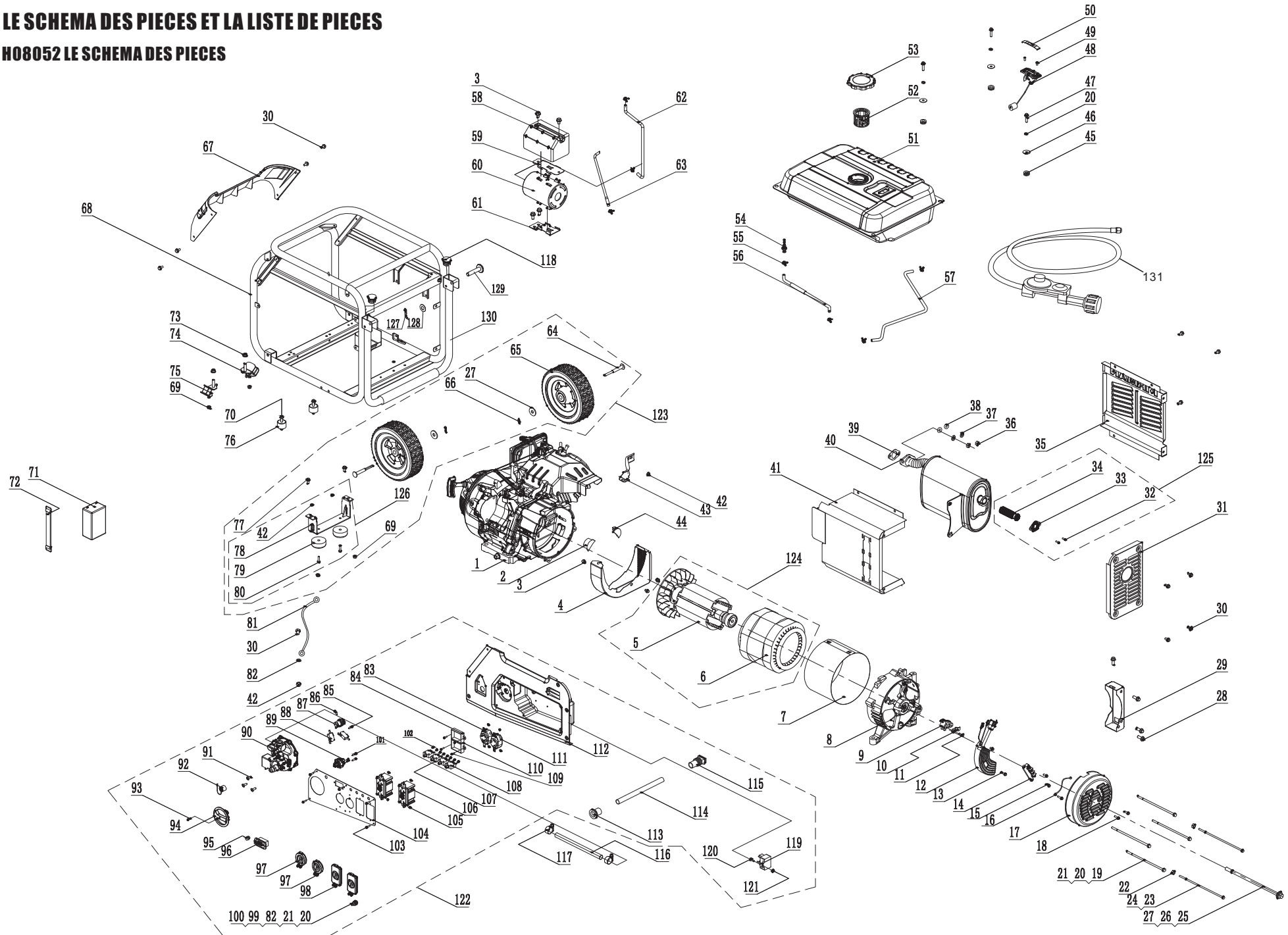
Pour éviter l'inflammation accidentelle ou involontaire de votre générateur pendant les périodes de stockage, les précautions suivantes doivent être suivies: Lors du stockage du générateur pour des périodes plus ou moins longues assurez-vous que le commutateur de moteur et la vanne de carburant sont mis en position **OFF**.

## LE DÉPANNAGE

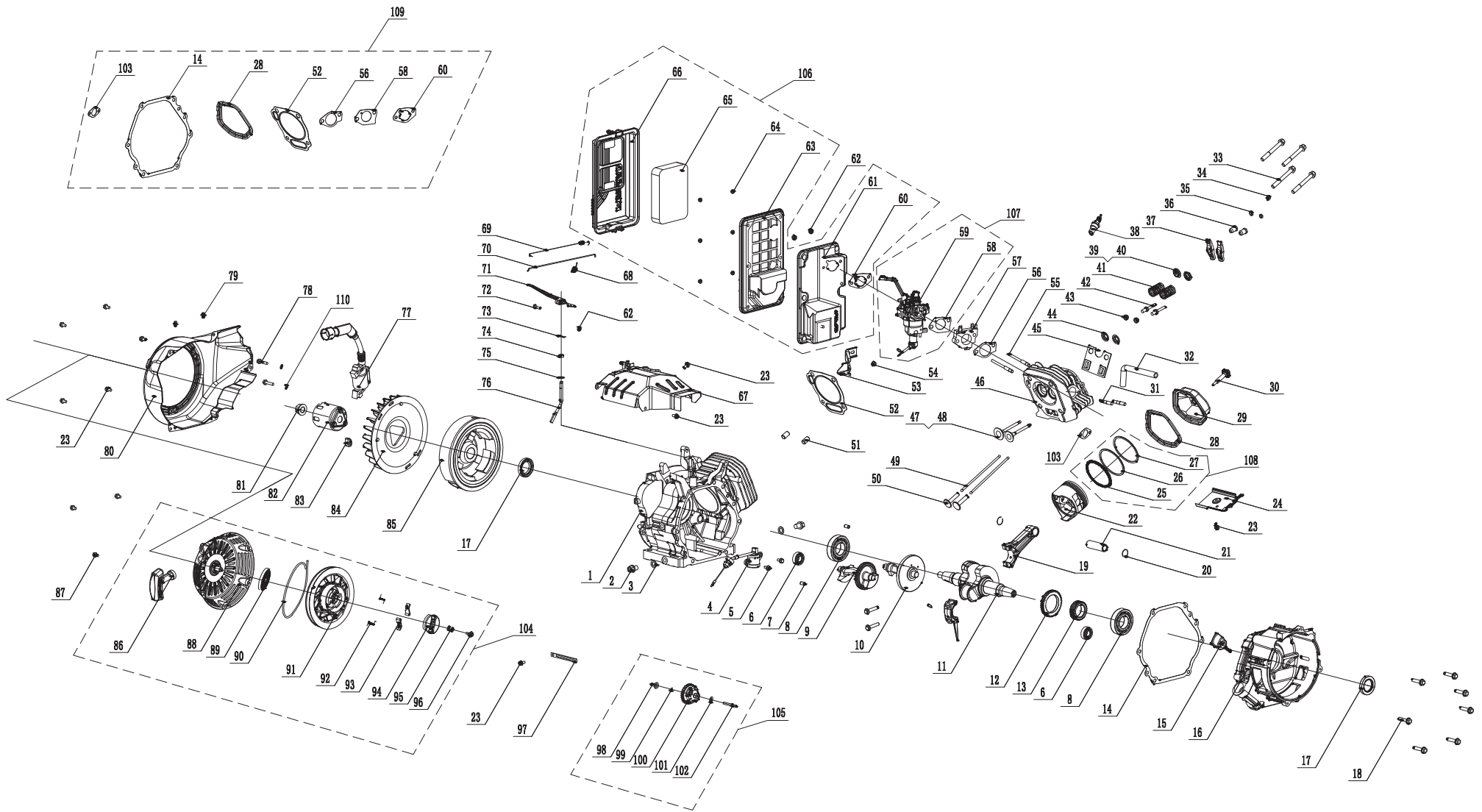
Problème	Cause	Correction
<b>Le moteur marche, mais pas de sortie de CA est disponible</b>	<ol style="list-style-type: none"> <li>1. Disjoncteur est ouvert.</li> <li>2. Défaut dans le générateur.</li> <li>3. Pauvre connexion ou rallonge défectueuse.</li> <li>4. Dispositif branché est défectueux.</li> </ol>	<ol style="list-style-type: none"> <li>1. Réenclenchez le disjoncteur.</li> <li>2. Contactez le dispositif de service autorisé.</li> <li>3. Vérifiez et réparez.</li> <li>4. Branchez un autre dispositif qui est en bon état.</li> </ol>
<b>Le moteur marche bien sans charge mais "enlise" lorsque les charges sont connectés.</b>	<ol style="list-style-type: none"> <li>1. Court-circuité dans une charge connectée.</li> <li>2. La vitesse du moteur est trop lent.</li> <li>3. Générateur est surchargé.</li> <li>4. Court-circuité du générateur .</li> <li>5. Filtre de carburant bouché ou sale.</li> </ol>	<ol style="list-style-type: none"> <li>1. Débranchez la charge électrique en court-circuité.</li> <li>2. Contactez le dispositif de service autorisé.</li> <li>3. Voir Ne Pas Surcharger Générateur.</li> <li>4. Contactez le dispositif de service autorisé.</li> <li>5. Nettoyez ou remplacez le filtre de carburant.</li> </ol>
<b>Le moteur ne démarre pas; démarre et marche mal ou arrête lors de fonctionnement.</b>	<ol style="list-style-type: none"> <li>1. Sélecteur de carburant Position OFF.</li> <li>2. Mettez levier d'arrêt de carburant en position OFF (0)</li> <li>3. Niveau d'huile bas.</li> <li>4. Filtre d'air sale.</li> <li>5. Manque de carburant.</li> <li>6. Carburant éventé.</li> <li>7. Fil de bougie n'est pas connecté à la bougie.</li> <li>8. Mauvaise bougie d'allumage.</li> <li>9. Eau dans le carburant.</li> <li>10. Inondées.</li> <li>11. Mélange de carburant trop riche.</li> <li>12. La soupape d'admission bloquée en position ouverte ou fermée.</li> <li>13. Moteur a perdu de compression.</li> <li>14. Filtre de carburant est bouché ou sale.</li> <li>15. De la batterie peut avoir un undercharge.</li> <li>16. Out of GLP.</li> <li>17. LPG bouton de cylindre est pas ouvert.</li> <li>18. Hors de la puissance de la batterie.</li> </ol>	<ol style="list-style-type: none"> <li>1. Réglez le sélecteur de carburant sur la position "LPG" ou "GAZ".</li> <li>2. Mettez le levier d'arrêt de carburant en position ON (I)</li> <li>3. Remplir le carter au niveau requis ou placez le générateur sur une surface plane.</li> <li>4. Nettoyez ou remplacez le filtre d'air.</li> <li>5. Remplissez du carburant dans le réservoir.</li> <li>6. Vidangez le réservoir de carburant et le carburateur; remplissez avec du carburant frais.</li> <li>7. Connectez le fil à la bougie.</li> <li>8. Remplacez la bougie.</li> <li>9. Vidangez le réservoir d'essence et le carburateur; remplissez avec du combustible neuf.</li> <li>10. Attendez 5 minutes et réinstallez la manivelle du moteur.</li> <li>11. Contactez le dispositif de service autorisé.</li> <li>12. Contactez le dispositif de service autorisé.</li> <li>13. Contactez le dispositif de service autorisé.</li> <li>14. Nettoyez ou remplacez le filtre de carburant.</li> <li>15. Vérifiez la sortie de la batterie et la batterie de charge si nécessaire.</li> <li>16. Remplacer le réservoir GPL.</li> <li>17. Entièrement ouvert GPL cylindre bouton.</li> <li>18. Démarrez le moteur en position "GAZ". Chargez ou remplacez la batterie.</li> </ol>
<b>Le moteur manque de puissance.</b>	<ol style="list-style-type: none"> <li>1. La charge est trop élevée.</li> <li>2. Filtre d'air sale.</li> <li>3. Filtre de carburant obstrué ou sale.</li> <li>4. pare-étincelles bouché.</li> </ol>	<ol style="list-style-type: none"> <li>1. Ne Pas Surcharger Générateur</li> <li>2. Remplacez le filtre d'air.</li> <li>3. Nettoyez ou remplacez le filtre de carburant.</li> <li>4. Nettoyez ou remplacez pare-étincelles.</li> </ol>
<b>Moteur "chasses" ou vacille.</b>	<ol style="list-style-type: none"> <li>1. Le carburateur est trop riche ou trop pauvre.</li> <li>2. Filtre de carburant obstrué ou sale.</li> </ol>	<ol style="list-style-type: none"> <li>1. Contactez le dispositif de service autorisé.</li> <li>2. Clean or replace fuel filter.</li> </ol>
<b>Le moteur s'arrête lors de fonctionnement.</b>	<ol style="list-style-type: none"> <li>1. Manque de carburant.</li> <li>2. Filtre d' air sale.</li> <li>3. Niveau d'huile bas.</li> </ol>	<ol style="list-style-type: none"> <li>1. Remplissez le réservoir de carburant</li> <li>2. Nettoyez ou remplacez le filter'd air</li> <li>3. Remplissez le carter au niveau requis ou placez le générateur sur une surface plane.</li> </ol>
<b>Système de démarrage à distance ne fonctionne pas.</b>	<ol style="list-style-type: none"> <li>1. Batterie faible dans le contrôle à distance.</li> <li>2. Dépasser la gamme de contrôle à distance.</li> <li>3. Télécommande pas programmé pour le générateur.</li> </ol>	<ol style="list-style-type: none"> <li>1. Remplacez les piles dans la télécommande.</li> <li>2. Rapprochez générateur. Ne doit pas être plus de 164 pieds.</li> <li>3. Programme supprimer le contrôle de générateur (voir Programmation du générateur pour le démarrage à distance)</li> </ol>

# LE SCHEMA DES PIECES ET LA LISTE DE PIECES

## H08052 LE SCHEMA DES PIECES



# 439cc Moteur Schéma Des Pièces



## NO5752 LISTE DES PIECES

NO.	Référence	La Description	Qty.	NO.	Référence	La Description	Qty.
1	357713593	FIRMAN 439cc Dual Fuel Engine	1	67	357713582	Couverture plastique	1
2	357713501	Capuchon en caoutchouc B	1	68	357713583	Cadre	1
3	336713528	Boulon de bride M6 x 8	5	69	336713558	Écrou M8	6
4	357713573	Générateurs Wind Shield	1	70	357713584	Boulon de bride M8 x 35	2
5	357713574	Rotor Assy	1	71	336713838	Batterie	1
6	357713575	Stator Assy	1	72	336713839	Bande de support de batterie	1
7	380713503	Couvercle de stator	1	73	357713531	Écrou M10	2
8	357713506	Couvercle du générateur	1	74	357713532	Isolateur 2	1
9	357713507	Ensemble brosse carbone	1	75	357713533	Isolateur 1	1
10	336713525	Porte-brosses carbone	1	76	357713585	Support moteur	2
11	336713524	Ensembles boulons et rondelles	1	77	336713559	Boulon de bride M8 x 16	4
12	357713508	AVR	1	78	357713538	Jambe de soutien	1
13	336713519	Boulon de bride M5 x 16	2	79	336713557	Caoutchouc, Support	2
14	336713523	Bornier	1	80	336713561	Boulon de bride M6 x 25	4
15	336713520	Bolt M5 x 16	2	81	336713514	Fil de terre	1
16	336713522	Fil de terre	1	82	336713516	Rondelle élastique externe Ø6	1
17	357713509	Capuchon de la gaine du générateur	1	83	336713601	Réceptacle L14-30R	1
18	336713507	Boulon de bride M5 x 12	3	84	336713817	Module de controle	1
19	336713511	Boulon de bride M6 x 179	4	85	336713819	Vis à taraudage St2.9 x 19	2
20	336713512	Rondelle de blocage Ø6	8	86	336713820	Vis à taraudage St2.9 x 32	1
21	336713513	Rondelle Ø6	4	87	336713821	Micro Switch 1	1
22	336713577	Écrou M5	2	88	336713822	Micro Switch 2	2
23	357713510	Boulon du couvercle latéral M5 x 214	2	89	336713824	Vanne de carburant	1
24	357713511	Rondelle de blocage Ø5	2	90	336713823	Régulateur principal Assy.	1
25	357713512	Boulon de bride M10 x 265	1	91	357713594	Vis M6 x 12	3
26	357713513	Rondelle de blocage Ø10	1	92	336713826	Couvercle d'entrée de GPL	1
27	357713514	Rondelle Ø10	5	93	336713816	Vis M4 x 12	1
28	336713531	Boulon de bride M8 x 20	4	94	336713815	Sélecteur de carburant	1
29	357713515	Titulaire, Muff	1	95	336713828	Voyant	1
30	336713515	Boulon de bride M6 x 12	19	96	357713586	Multi Meter	1
31	357713516	Plaque fixe de silencieux A	1	97	336713573	Couvercle de sortie L5-30R	2
32	336713538	Vis et rondelle Assy M5 x 14	2	98	357713541	Couvercle de sortie 5-20R GFCI	2
33	357713517	Support, pare-étincelles	1	99	380713512	Boulon M6 x 22	1
34	336713536	Arrêt, Étincelle	1	100	380713515	Écrou M6	2
35	357713518	Plaque fixe de silencieux B	1	101	336713830	Vis à taraudage St4.8 x 20	2
36	336713534	Écrou M8	2	102	336713569	Vis et rondelle Assy M4 x 8	8
37	336713509	Rondelle de blocage Ø8	2	103	330713582	Vis et rondelle Assy M4 x 14	6
38	336713533	Rondelle plate Ø8	2	104	357713595	Panneau de contrôle	1
39	357713520	Gskt., Ext.	1	105	336713568	Écrou M4	8
40	357713576	Muff., Assy.	1	106	357713588	5-20R Duplex GFCI	2
41	357713523	Silencieux Plaque fixe C	1	107	357713589	Disjoncteur 24Amp	2
42	336713517	Écrou M6	4	108	336713585	Disjoncteur 20Amp	2
43	357713577	Support de filtre à air	1	109	336713565	Vis M5 x 14	4
44	357713524	Capuchon en caoutchouc A	1	110	336713818	Chargeur	1
45	336713542	Grommet, réservoir de carburant	4	111	336713583	Réceptacle L5-30R	1
46	336713543	Tube tampon de lave-glace	4	112	357713590	Boîtier de commande	1
47	336713544	Boulon de bride M6 x 20	4	113	357713545	Grommet	1
48	357713578	Mesure de jauge de carburant.	1	114	357713546	Manche	1
49	336713546	Vis M5 x 10	2	115	357713548	Grommet	1
50	336713547	Affichage de la jauge de carburant	1	116	357713591	Tuyau de GPL	1
51	357713579	Réservoir de carburant.	1	117	336713835	Collier métallique (ø8-ø14) x b8	2
52	336713806	Filtre à carburant, treillis métallique	1	118	357713598	Housse imperméable	2
53	336713549	Bouchon du réservoir d'essence	1	119	336713643	Module de protection VF	1
54	336713807	Raccord de réservoir avec filtre	1	120	330713502	Vis M5 x 20	1
55	336713540	Pince Ø8 x 6	7	121	336713578	Écrou M5	1
56	357713580	Tuyau, carburant 1	1	122	357413511	Panneau de configuration Assy.	1
57	357713581	Tuyau, carburant 2	1	123	357413509	Kit de roue	1
58	336713636	Bouclier de cartouche de carbone	1	124	357413510	Ensemble Rotor Et Stator	1
59	336713639	Support de canister en carbone	1	125	357413503	Kit d'amortisseurs d'étincelles	1
60	336713637	Carbone	1	126	357413506	Assemblage des jambes de soutien	1
61	336713638	Porte-bidon en carbone	1	127	336713590	Broche, poignée	2
62	380713532	Tuyau de vapeur 1	1	128	336713844	Rondelle Ø8	2
63	380713533	Tuyau de vapeur 2	1	129	357713596	Axle Pin, Poignée	2
64	357713535	Axe Pin	2	130	357713597	Assiette à poignée.	1
65	357713592	Roue	2	131	336713834	Régulateur / Aspirateur.	1
66	357713536	Goupille	2				



## 439cc Liste des Pièces de Moteur

				NO.	Référence	La Description	Qty.
1	380723514	Carter Comp.	1	59	380723515	Carburateur	1
2	357723501	Boulon, drain	2	60	357723554	Gskt., Filtre à air	1
3	357723502	Rondelle, boulon de vidange	2	61	357723555	Coude, Air Cleaner	1
4	357723503	Capteur de niveau d'huile	1	62	336723555	Écrou M6	3
5	357723504	Flg. Boulon M6 x 15	2	63	357723556	Bardeau	1
6	357723505	Palier	2	64	357723557	Écrou M5	6
7	336723501	Goupilles de positionnement	2	65	380723516	Élément, Air Cleaner	1
8	357723506	Palier	2	66	357723559	Couverture, Air Cleaner	1
9	357723507	Arbre d'équilibrage	1	67	357723560	Guide du vent, Top	1
10	357723508	Comp.	1	68	357723561	Printemps, gouverneur	1
11	380723501	Vilebrequin	1	69	357723562	Printemps, Retour d'accélérateur	1
12	357723510	Engrenage, manivelle	1	70	357723563	Rod, gouverneur	1
13	357723511	Entraînement à engrenages	1	71	357723564	Bras, gouverneur	1
14	357723512	Gskt., Carter de vilebrequin	1	72	336723567	Boulon, bras de gouverneur	1
15	357723513	Ensemble de jauge à huile	1	73	357723565	Broche, arbre	1
16	357723514	Capot, carter moteur	1	74	357723566	Joint d'étanchéité	1
17	357723515	Joint d'étanchéité	2	75	336723564	Rocker Shim	1
18	357723516	Flg. Bolt M8 x 40	7	76	357723567	Arbre de gouverneur	1
19	357723517	Conn, Rod Comp	1	77	357723568	Bobine d'allumage	1
20	357723518	Bague de retenue de tige de piston	2	78	357723569	Flg. Boulon M6 x 29	2
21	357723519	Poignet	1	79	336723606	Clip de fil	2
22	380723502	Piston	1	80	357723570	Fan Comp Comp	1
23	336723503	Boulon de bride M6 x 12	8	81	357723571	Écrou, arbre	1
24	357723521	Guide de l'Air	1	82	357723572	Poulie, Démarreur	1
25	380723503	Bague, Huile	1	83	336723612	Gaine, Fil	1
26	380723504	Anneau, deuxième piston	1	84	380723511	Ventilateur	1
27	380723505	Anneau, premier piston	1	85	380723517	Compas volant	1
28	357723525	Joint d'étanchéité	1	86	357723577	Poignée, Démarreur	1
29	357723526	Assiette de couvercle de vanne	1	87	357723578	Boulon de bride M6 x 8	3
30	357723527	Boulon	1	88	357723579	Étui Comp., Recul Démarreur	1
31	357723528	Vannes d'échappement	2	89	357723580	Ressort, démarreur Retour	1
32	357723529	Tube de respiration	1	90	357723581	Corde	1
33	357723530	Flg. Bolt M10 x 80	4	91	357723582	Poulie, démarreur de recul	1
34	357723531	Rotor, soupape d'échappement	1	92	336723589	Printemps, Patchet	2
35	336723528	Contre-écrou	2	93	336723590	Patchet, Démarreur	2
36	336723529	Écrou de réglage, vanne	2	94	336723591	Guide de Pawl	1
37	357723532	Valve Rocker	2	95	336723592	Clip Sprg., Pawl Guide	1
38	336723556	Bougie d'allumage	1	96	336723593	Vis, Guide de cliquet	1
39	357723533	Récepteur, soupape d'admission	1	97	330723528	Clip de fil	1
40	357723534	Retenue, Valve d'échappement	1	98	357723584	Douilles, Governor Gear	1
41	357723535	Ressort, soupape	2	99	336723597	Clip, Governor Gear	1
42	336723537	Boulon, bras oscillant	2	100	357723585	Gear, Gouverneur	1
43	357723536	Joint d'étanchéité, vanne	2	101	336723595	Rondelle intérieure, équipement	1
44	357723537	Récepteur, Valve	2	102	357723586	Gouv., Arbre de transmission	1
45	357723538	Plaque de guidage, poussoir	1	103	357713520	Gskt., Ext.	1
46	380723506	Cylindre	1	104	357423500	Jeu de démarrage	1
47	380723507	Soupape	1	105	357423501	Ensemble de gouverneurs	1
48	380723508	Échappement de soupape	1	106	357423508	Ensemble de filtre à air	1
49	357723542	Poussoir	2	107	357423509	Carburateur	1
50	357723543	Soupape de levage	2	108	380423501	Piston Rings Set	1
51	357723544	Goupilles de positionnement	2	109	380423502	Jeu de joint	1
52	380723509	Joint, cyl.head	1	110	336723615	Rondelle de blocage	2
53	357723546	Support de filtre à air	1				
54	357723547	Écrou M6	1				
55	357723548	Piston d'admission d'air	2				
56	357723549	Gskt., Isolateur	1				
57	357723550	Isolateur, Carburateur	1				
58	357723551	Gskt., Carburateur	1				

## INFORMATION DE SERVICE

**CONTACTEZ LE DEPARTEMENT DE SERVICE DE PRODUIT DE FIRMAN PAR 1-844-347-6261 OU ALLEZ SUR LE SITE: [www.firmangenerators.com](http://www.firmangenerators.com) pour obtenir les informations de service de garantie, ou afin de commander les pièces de remplacement et les accessoires.**

## COMMENT COMMANDER DES PIÈCES DE REMPLACEMENT

Même la qualité de construction des équipements tels que le générateur électrique que vous avez acheté pourrait avoir besoin des pièces de remplacement occasionnels pour maintenir en bon état au fil des ans. Pour commander des pièces, veuillez donner les informations suivantes.

1. N° de modèle, Rév., Niveau et N° de série et toutes les spécifications indiquées sur le modèle n°/n° de série plaque.
2. Des pièces ou des chiffres, comme indiqué dans la section de « Liste des pièces ».
3. Une brève description du problème avec le générateur.

### ENREGISTREZ VOTRE PRODUIT

Enregistrez votre produit de Firman générateur en ligne sur at [www.firmangenerators.com](http://www.firmangenerators.com).

## GARANTIE

**FIRMAN OFFRE Trois (3) ans de garantie limitée**

### Conditions De La Garantie

FIRMAN générateur enregistre la garantie dès la réception de votre carte de garantie et une copie de votre facture d'achat de l'un des magasins de détail de Firman comme preuve d'achat. Veuillez soumettre votre enregistrement de la garantie et votre preuve d'achat dans les dix (10) jours de la date d'achat.

### Garantie de Réparation / Remplacement

Garantie de Firman à l'acheteur original que les composants mécaniques et électriques seront exempts de défauts de matériaux et de fabrication pour une période d'un (1) an (pièces et main-d'œuvre) et trois (3) ans (pièces) à partir de la date d'achat originale 90 jours (pièces et main-d'oeuvre) et 180 jours (pièces) à l'usage commercial et industriel. Les frais de transport du produit pour réparation ou remplacement sous cette garantie sont de la seule responsabilité de l'acheteur. Cette garantie est applicable uniquement à l'acheteur original et est incessible.

### Ne Pas Renvoyer L'appareil Au Lieu D'achat

Contactez le Centre de Service de FIRMAN et, FIRMAN diagnostiquera tout problème par téléphone ou par E-mail.

Si le problème est pas résolu par cette méthode, FIRMAN, à sa discrétion, permettra l'évaluation, la réparation ou le remplacement de la pièce ou du composant défectueux dans un centre de service FIRMAN. FIRMAN vous fournira un numéro de cas pour le service de garantie. Veuillez le garder pour la référence au future. Les réparations ou remplacements sans autorisation préalable, ou dans un centre de réparation non autorisée, ne seront pas compris par cette garantie.

### Exclusions de Garantie

Cette garantie ne comprend pas les réparations et équipements suivants:

---

## Usure Normale

Votre produit a besoin de pièces et de service périodiques de bien performer. Cette garantie ne comprend pas les réparations quand d'une partie ou de l'équipement ensemble a épuisé à l'usage normale pendant la durée de vie.

## Installation, Utilisation et Entretien

Cette garantie ne sera pas applicable aux pièces et/ou à la main-d'oeuvre si votre produit est réputé avoir été mal utilisé, négligé, impliqué dans un accident, abusé, chargé au-delà des limites de la génératrice, modifié, installé inadéquatement ou mal connecté à un composant électrique. L'entretien normal n'est compris pas par cette garantie.

## Les Autres Exclusions

Cette garantie exclut:

- Défauts cosmétiques comme la peinture, les autocollants, etc.
- Les pièces d'usure,
- Pièces accessoires,
- Les défauts à cause des actes de Dieu et autres événements de force majeure hors du contrôle du fabricant,
- Les problèmes causés par des pièces qui ne sont pas des pièces originales de FIRMAN.

## Limites De La Garantie Implicite Et Des Dommages Indirects

FIRMAN décline toute obligation de couvrir toute perte de temps, l'utilisation de ce produit, le fret ou toute autre réclamation secondaire ou indirect par quiconque d'utiliser ce produit. CETTE GARANTIE EST EN LIEU ET PLACE DE TOUTE AUTRE GARANTIE, EXPLICITE OU IMPLICITE, Y COMPRIS LES GARANTIES DE QUALITÉ MARCHANDE OU D'ADAPTATION À UN USAGE PARTICULIER.

Une unité fournis en remplacement seront soumis à la garantie de l'unité originale. La durée de la garantie du produit échangé continuera à être calculée en fonction de la date d'achat de l'unité d'origine.

Cette garantie vous donne certains droits juridiques qui peuvent varier d'un pays à l'autre. Votre pays peut également avoir d'autres droits que vous pourriez avoir ce qui ne sont pas mentionnés dans cette garantie.

## Information de Contact

Vous pouvez contacter FIRMAN par:

### Adresse

Firman Power Equipment Inc.  
Attn: Customer Service  
8716 West Ludlow Dr. Suite #6  
Peoria, AZ 85381  
[www.firmangenerators.com](http://www.firmangenerators.com)

***Nous sommes PUISSANCE FIRMAN - Et nous sommes là pour vous.***

***Service Clientèle- 1-844-347-6261(1-844-FIRMAN1)***

***6am PST(9am EST) jusqu'à 8pm EST(5pm PST)***

***Service technique Bureau - 1-844-347-6261(1-844-FIRMAN1)***

***6am PST(9am EST) jusqu'à 8pm EST(5pm PST)***

***24/7 Support Technique - 1-844-347-6261(1-844-FIRMAN1)***

---

---

## **FIRMAN POWER EQUIPMENT INC. LA GARANTIE DU SYSTÈME D'EMISSION**

### **LA DÉCLARATION DE GARANTIE DU CONTROLE DES EMISSIONS D'ÉCHAPPEMENT ET D'ÉVAPORATION POUR MOTEURS DE L'ESSENCE, CALIFORNIE ET LA FÉDÉRATION**

#### **DES DROITS ET DES OBLIGATIONS DE VOTRE GARANTIE**

La Commission de l'air Ressources de Californie, l'Agence de la Protection Environnemental des Etats-Unis ("EPA") et FIRMAN Energie Electrique,SARL (FIRMAN), sont contents d'expliquer la garantie des systèmes de contrôle des émissions et évaporations d'échappement de gaz sur votre Petit Moteur Hors-Route ("PMHR") et de l'équipement du moteur alimenté dans les années 2016-2017 ou tard le cas échéant. En Californie et aux États-Unis, PMHR et le moteur alimenté doivent être conçu, fabriqué et équipé pour répondre à la Californie comme applicable. En Californie et aux États-Unis, PMHR et le moteur alimenté doivent être conçu, fabriqué et équipé pour répondre aux normes anti-smog rigoureuses de la Californie et de l'APE. FIRMAN doit garantir des systèmes de contrôle des émissions et évaporations d'échappement de gaz sur PMHR et de l'équipement du moteur alimenté pour la période indiquée ci-dessous pourvu qu'il n'y ait eu aucun abus, négligence ou entretien inadéquat de votre PMHR ou l'équipement moteur alimenté. Vos systèmes de contrôle des émissions d'échappement peuvent inclure des pièces telles que les carburateurs, systèmes d'injection de carburant, le système d'allumage et les convertisseurs catalytiques. Il peut également inclure un système de contrôle des émissions par évaporation qui peut inclure des réservoirs de carburant, les conduites de carburant, bouchons de carburant, les soupapes, les bidons, les filtres, les tuyaux de vapeur, les colliers, ceintures, et autres composants associés. Pour les moteurs inférieures ou égales à 80 cc, seul le réservoir de carburant est soumis aux exigences de la garantie de contrôle des émissions par évaporation de cette section (Californie seulement).

#### **LES RESPONSABILITÉS DE GARANTIE DU PROPRIÉTAIRE:**

Comme le propriétaire de PMHR ou de l'équipement du moteur alimenté, vous êtes responsable de l'exécution de l'entretien requis indiqué dans votre manuel du propriétaire. FIRMAN vous recommande de conserver tous les reçus couvrant l'entretien de votre PMHR ou l'équipement de moteur alimenté, mais FIRMAN ne peut pas refuser la garantie uniquement pour le manque de recettes.

Comme le propriétaire de PMHR de l'équipement du moteur alimenté, vous devez, cependant, être conscient que FIRMAN peut vous refuser la couverture de garantie si votre MHR ou l'équipement de moteur alimentés ou une des parties a échoué en raison d'abus, de négligence, de mauvais entretien ou des modifications non approuvées.

Vous êtes responsable de présenter votre PMHR ou l'équipement de moteur alimenté à un centre de distribution ou un service FIRMAN dès qu'un problème existe. Les réparations sous garantie doivent être effectuées dans un délai raisonnable, ne dépassant pas 30 jours. Si vous avez des questions concernant votre couverture de garantie, vous devez contacter un FIRMAN au 1-844-347-6261 ou [firmangenerators@sumec-na.com](mailto:firmangenerators@sumec-na.com).

#### **LA COUVERTURE DE LA GARANTIE D'ÉMISSIONS GÉNÉRALES**

La période de garantie commence à la date où le moteur ou l'équipement est livré à un acheteur ultime. FIRMAN garantit à l'acheteur final et à chaque acheteur suivant que le moteur est:

Conçu, construit et équipé afin de se conformer à toutes les réglementations applicables adoptées par la Commission de l'air Ressources de Californie et de l'APE des Etats-Unis; et exempts de défauts matériels et de fabrication qui causent la défaillance d'une pièce garantie identique à tous égards importants à la partie tel que décrit dans la demande de fabricants de moteurs pour la certification.

La garantie sur les pièces liées aux émissions est comme suivant:

- (1) Toute pièce garantie qui ne soit pas prévu de le remplacer en tant entretien requis dans le manuel du propriétaire fourni est garanti pour la période de la garantie indiquée ci-dessus. Si une telle pièce tombe en panne pendant la période de couverture de la garantie, la pièce sera réparée ou remplacée par FIRMAN sans frais pour le propriétaire. Toute pièce réparée ou remplacée en vertu de la garantie sera garanti pour la période de garantie restante.
- (2) Toute pièce garantie qui est prévue uniquement pour l'inspection régulière dans le manuel du propriétaire fourni est garanti pour la période de la garantie indiquée ci-dessus. Toute pièce réparée ou remplacée sous garantie sera garanti pour la période de garantie restante.
- (3) Toute pièce garantie dont le remplacement est prévu que l'entretien requis dans le manuel du propriétaire fourni, est garanti pour la période de temps avant le premier remplacement prévu pour cette pièce. Si la pièce fait défaut avant le premier remplacement prévu, la pièce sera réparée ou remplacée par FIRMAN sans frais pour le propriétaire. Toute pièce réparée ou remplacée sous garantie sera garanti pour le reste de la période avant le premier point de remplacement prévu pour la partie.
- (4) La réparation ou le remplacement de toute pièce sous garantie en vertu de la garantie doivent être effectuées sans frais pour le propriétaire à la station de garantie.
- (5) Nonobstant les dispositions du paragraphe (4) ci-dessus, les services de garantie ou des réparations doivent être fournis par FIRMAN qui sont franchisés de réparer les moteurs en question.
- (6) Le propriétaire ne doit pas être facturé pour le travail de diagnostic qui conduit à la détermination que la pièce garantie est effectivement défectueuse, à condition que ce travail de diagnostic est effectué à une station de garantie.
- (7) FIRMAN est responsable des dommages à d'autres composants du moteur causés directement par une défaillance sous garantie de toute pièce garantie.
- (8) Tout au long de la période de garantie d'émission au sens du paragraphe (b) (2), FIRMAN maintiendra un approvisionnement des pièces garanties suffisantes pour répondre à la demande prévue pour de telles pièces.
- (9) Toute pièce de remplacement peut être utilisé dans l'exécution de tout entretien ou la réparation sous garantie et doit être fourni sans frais pour le propriétaire. Une telle utilisation ne réduira pas les obligations de garantie du fabricant.
- (10) Des pièces ajoutés ou modifiées qui ne sont pas exemptés par la Commission de l'air Ressources de Californie ne peuvent être utilisées. L'utilisation des pièces ajoutés ou modifiées non exemptées par l'acheteur final sera un motif de refus d'une réclamation de garantie.

Le fabricant ne sera pas responsable de garantir les défaillances de pièces garanties causées par l'utilisation des pièces ajoutés ou modifiées non-exemptée.

### DES PIÈCES SOUS LE COUVERT DE LA GARANTIE

Voici la liste des pièces (si équipée) qui est couvert par la garantie fédérale et les systèmes de contrôle des émissions en Californie. Certaines pièces énumérés ci-dessous peuvent nécessiter une maintenance planifiée et sont garanties jusqu'au premier point de remplacement prévu pour cette pièce.

1. Système d'allumage comprenant: <ul style="list-style-type: none"><li>- Bougie</li><li>- Bobine d'allumage</li></ul>	4. Système d'induction d'air y compris: <ul style="list-style-type: none"><li>- Tuyau d'admission / collecteur</li><li>- Purificateur d'air</li></ul>
2. Système du mesure de carburant: <ul style="list-style-type: none"><li>- Réservoir de carburant</li><li>- Capot du réservoir</li><li>- Tuyau de carburant et ses raccords / pinces</li><li>- Carburateur assemblé y compris les pièces internes et les joints</li></ul>	5. Reniflard du carter assemblage y compris: <ul style="list-style-type: none"><li>- Tuyau de connexion du reniflard</li></ul>
3. Silencieux catalytic assemblé, y compris: <ul style="list-style-type: none"><li>- Collecteur d'échappement</li><li>- Convertisseur catalytique</li><li>- Joint de silencieux</li><li>- Vanne d'impulsion</li></ul>	6. Système de contrôle des émissions d'évaporation du réservoir de carburant y compris: <ul style="list-style-type: none"><li>- Vannes de purge</li><li>- Cartouche de carbone</li><li>- Tuyaux de vapeur et ses raccords / pinces</li></ul>

### Limites

Cette garantie des systèmes de contrôle des émissions ne doit pas comprendre une des caractéristiques suivantes:

- (a) Les dommages indirects tels que la perte de temps, désagrément, perte d'usage du moteur ou de l'équipement, etc.
- (b) Des frais de diagnostic et de contrôle qui ne causent pas d'un service de garantie éligible effectué.

FIRMAN POWER EQUIPMENT INC.  
Email: [firmangenerator@sumec-na.com](mailto:firmangenerator@sumec-na.com)  
[www.firmangenerator.com](http://www.firmangenerator.com)

