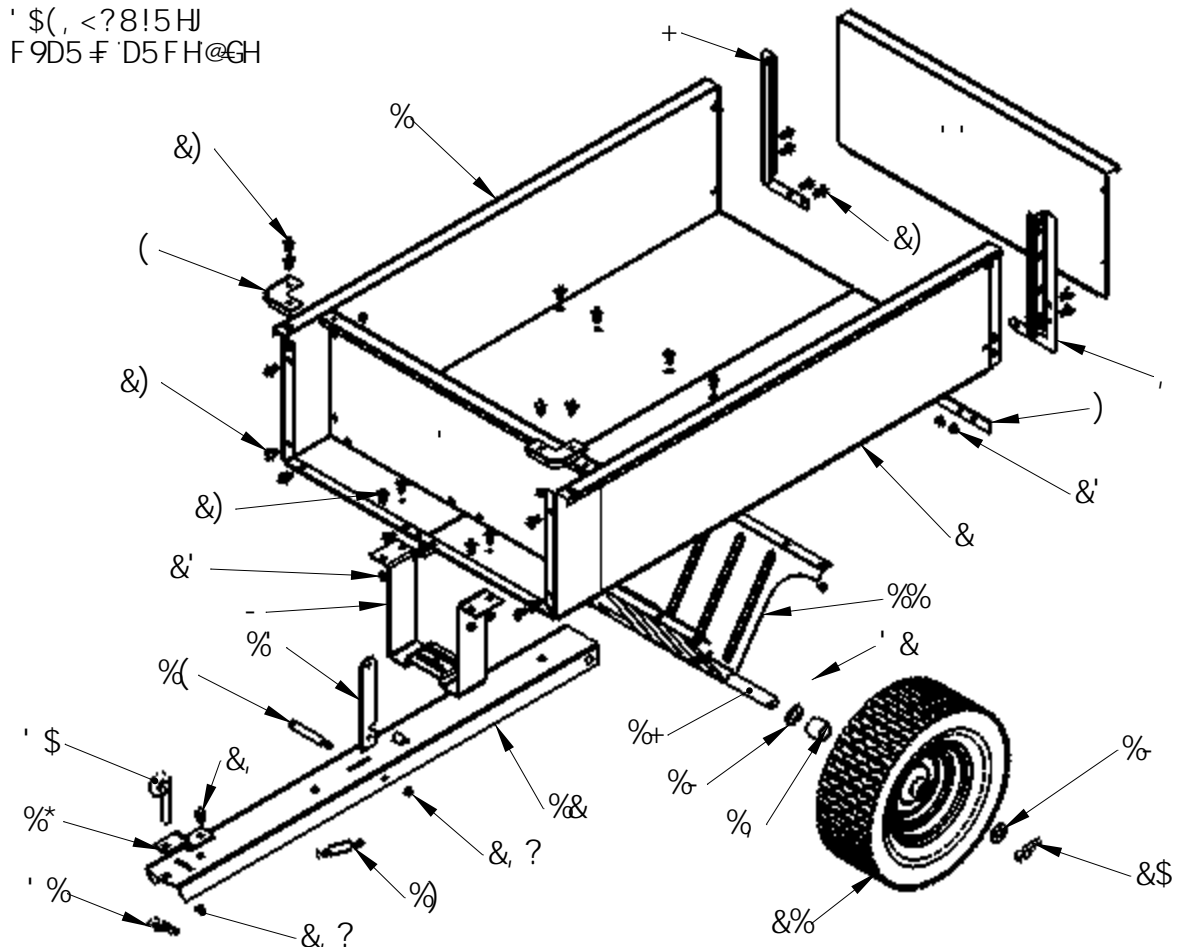
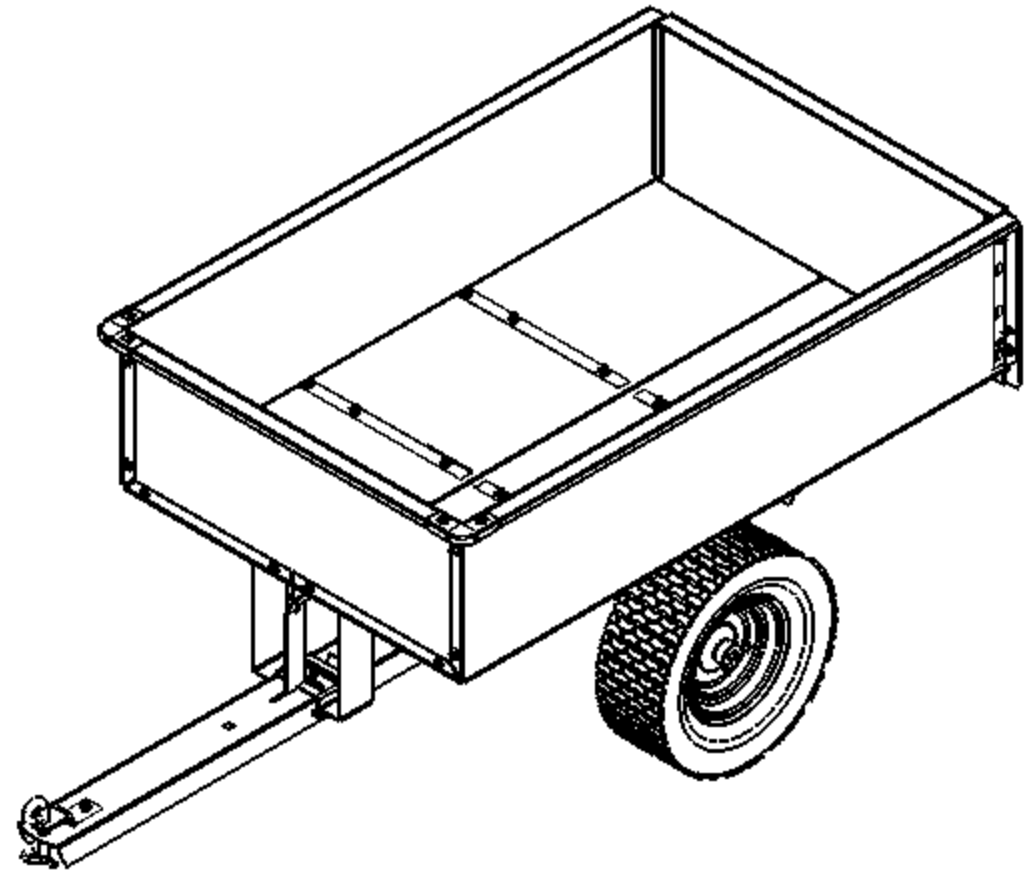


' \$(, <?8!5HJ  
F9D5 F 'D5FH@GH



REF. NO.	PART NO.	QTY.	DESCRIPTION	REF. NO.	PART NO.	QTY.	DESCRIPTION
1	5-1	1	Body half - Right	17	5-17ATV	1	Axle
2	5-1	1	Body half - Left	18	5-18ATV	2	HDPE spacer
3	5-3	1	Front gate	19	5-19	4	Axle washer
4	5-4	2	Corner				
5	5-5	1	Rear support bar	21	5-21ATV	2	Wheel ATV
7	5-7A	1	Gate retainer - Right	23	5-23N	46	5/16"-18 keps nut
8	5-8A	1	Gate retainer - Left	25	5-25	46	5/16"-18 x 3/4" pan head
10	5-9A	1	Front Support	28	5-28	1	3/8"-16 x 3/4" hex head
11	5-11	1	Axle Holder	28K	5-28K	2	3/8"-16 keps nut
12	5-12A	1	Drawbar	30	5-30	1	Hitch pin
13	5-13A	1	Latch post bar	31	5-31	1	Hair pin cotter
14	5-14A	1	Latch bolt	32	5-32	2	Cotter pin
15	5-15A	1	Latch spring	33	5-33	1	Tail gate
16	5-16A	1	Hitch bracket	34	5-34ATV	1	Assembly manual

' \$(, <?8!5HJ  
%\$'71 6-7 : C C H5 @H9FF5-B '7 5FH  
5GG9A 6@MA 5BI 5@/ 'D5FH@GH



7 51 H€ B.  
F958 '5B8 : C @C K  
5 @G5 : 9HMF1 @G  
5B8 'BGFI 7 H€ BG  
69: C F9' I GB;  
H-€9E I DA 9BH

&) +) : 9FF-€FC 58  
7 C @ A 6l GZC <€ (' &&(!&) - +  
' \$(, <?8!5HJ '!F9J '6'##\$(

**HCC@GF9E I F98**

@fj Y V UXY gMYk Xfj Yf'  
 %&"k fybW UbX#cfgc W\_YH'  
 D"Yfg'

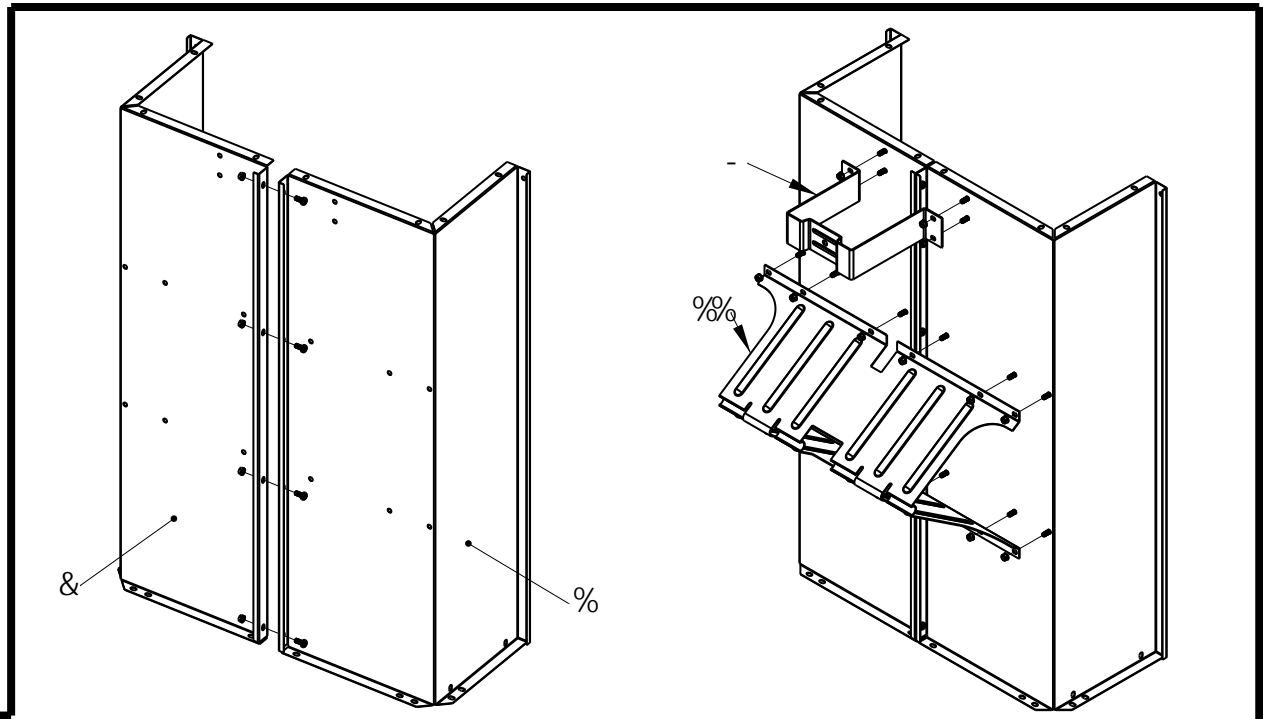
**G5: 9MBGFI 7HCB**

8c bchWUffmdUggy b[ Yfg]b WUfh'  
 8c bchhc k WUfhcb di V WfcUXg'  
 BYj YfYI WYX "cUX WUdUWmhc Z%\$\$\$Vg'  
 5j cX'g' XXYb'hi fbgcfa UbYi j Yfg'  
 K \Yb'cdYfUhb[ 'cb'gcdYgzi gY "ck Ygh'  
 [ fci bX'gdYYX UbX "ja ]h'cUX hc &\$\$ Vg'  
 CdYfUHY 'i d'UbX Xck b'gcdYgzbYj Yf'  
 UWfcgg'hY ZJWY"

**A 5-BH8B5B79**

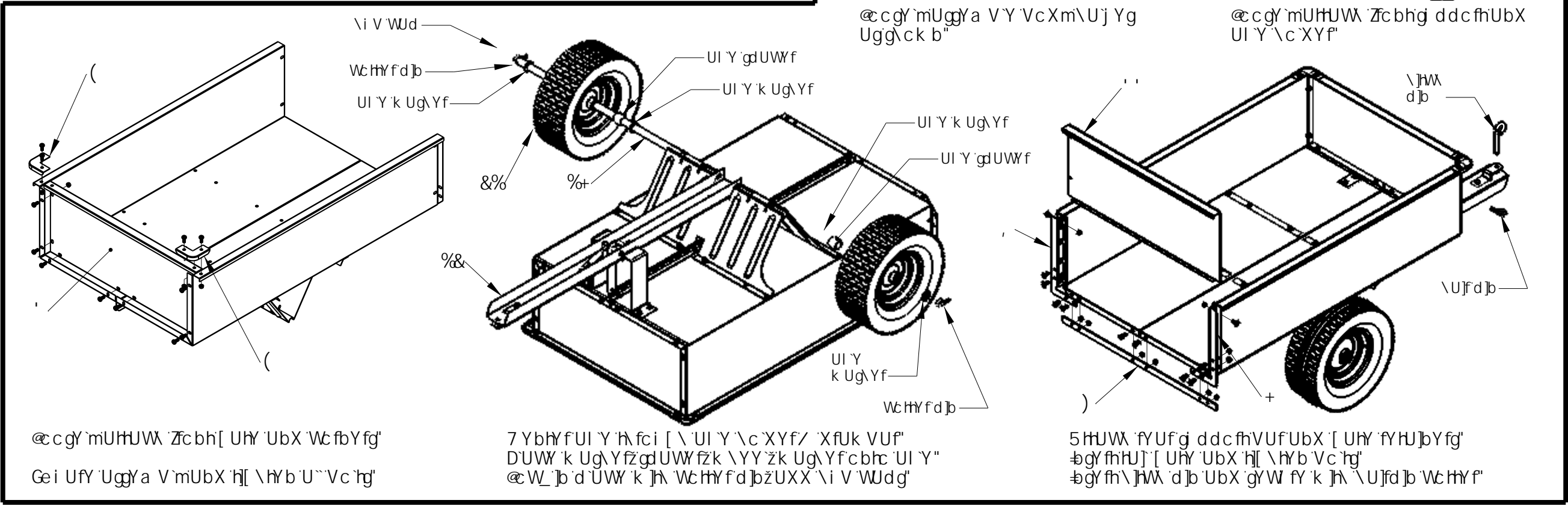
7 \YW W\_hjfy d'fygg fy 'fy [ i 'Ufm'  
 DYfjcX]WU "mWYW W\_U "Vc'hg'  
 ?YYd WUfhWYUb hc 'd'fyj Ybhf gh'  
 Grcfy ]bgjXY U WYUb X'fmUfYU"

CARTON CONTENTS		
REF. NO.	QTY.	DESCRIPTION
1	1	Body half - Right
2	1	Body half - Left
3	1	Front gate
4	2	Corner
5	1	Rear support bar
7	1	Tail gate retainer - Right
8	1	Tail gate retainer - Left
9	1	Front support
11	1	Axle holder
12	1	Drawbar assembly
17	1	Axle #9
21	2	ATV wheel
33	1	Tail gate
34	1	Assembly manual
BB	1	Hardware bag



@cgY mUggYa V Y VcXm\Uj Yg Ugj'ck b"

@cgY mUHUW Zfcbhig ddc fhUbX UI Y \c XYf"



@cgY mUHUW Zfcbh[ UHY UbX Wc'fbYfg'  
 Gei UfY UggYa V mUbX'hj[ \hYb U "Vc'hg'

7 YbhYfUI Y h'fci [ \ UI Y \c XYf/ Xfuk VUP"  
 D'UW W k UgYfzgdUWfzk \YY z'k UgYfcbhc UI Y"  
 @W\_ ]b'd UW W k ]h' Wc'hYf'd]bzUXX \i V WUd'g'

5 HUW W fYUf'g ddc fhVUfUbX [ UHY fYHU]bYfg'  
 @gY fhUJ]' [ UHY UbX'hj[ \hYb Vc'hg'  
 @gY fh\ ]hW d]b UbX g'W fy k ]h' \U]fd]b Wc'hYf'