



INSTALLATION INSTRUCTIONS CHINA VANITY TOP

SQUARE BOWL
(all sizes)

SUGGESTED TOOLS AND MATERIALS



Silicone Sealant



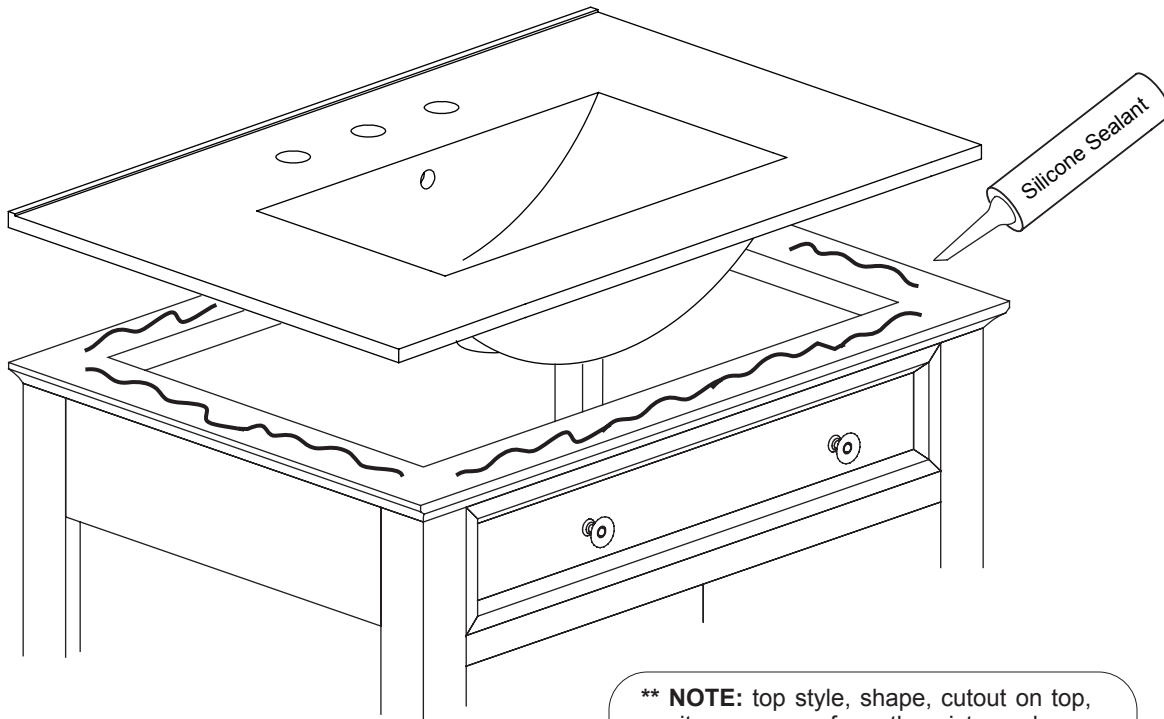
Level



Tape Measure



Safety Glasses



**** NOTE:** top style, shape, cutout on top, vanity may vary from the picture above. Instructional purposes only.

VANITY TOP INSTALLATIONS

1. Install the cabinet / vanity according to the cabinet / vanity manufacturer
2. Check to make sure the vanity top sits level on top of the vanity
3. Apply silicone sealant to the top of cabinet / vanity as shown above
4. Install faucet and drain assembly per the manufacturers' instructions

CARE AND CLEANING

For best results in caring for your vitreous china top, we suggest:

- Always wipe off spills immediately.
- Never use strong / abrasive cleaner. Always test your cleaning solution on unnoticeable areas before applying to the entire surface.
- Wipe surfaces clean, immediately after applying cleaner.
- Do not allow cleaner to sit or soak. Never let cleaners sit on the surface of the vitreous china for long periods of time.
- Use a soft, dampened sponge and cloth. Never use an abrasive material such as brush or scouring pad to clean surfaces. They will scratch the surface of the vitreous china top and lavatory.
- Always rinse and wipe clean the fixtures to prevent soap buildup.