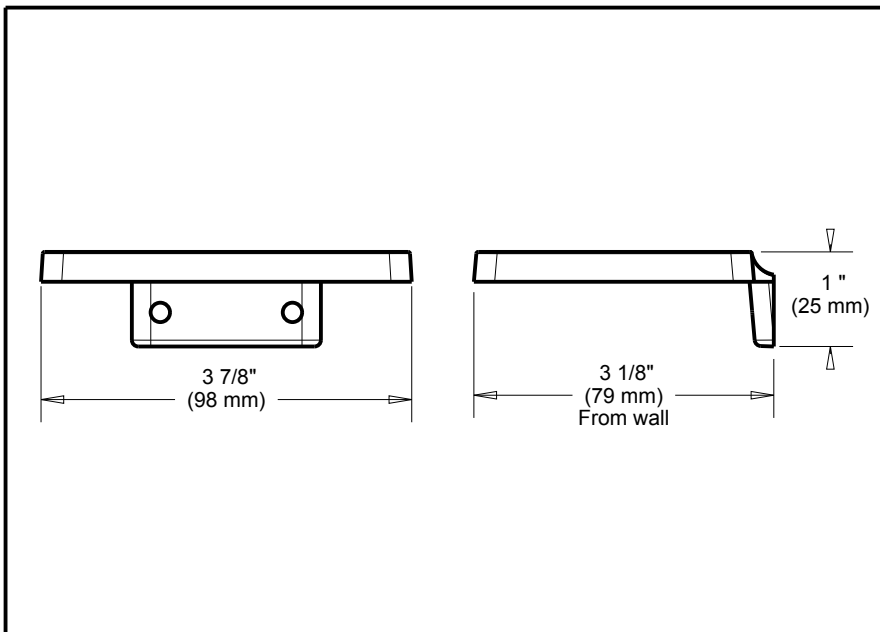


## ACCESSORIES

- Centura™ Bath Collection
- Soap Dish

Submitted Model No.: \_\_\_\_\_

Specific Features: \_\_\_\_\_



### STANDARD SPECIFICATIONS:

- Wood blocking is preferable behind all wall surfaces. If wood blocking is not available, the following fasteners are suggested: Tile/Masonry-Plastic or lead Anchors Plaster/drywall-Toggle bolts.
- Mounting hardware and mounting template included with product.

### WARRANTY

- Limited Lifetime Warranty to the original consumer purchaser to be free from defects in material and workmanship.
- Limited Lifetime Warranty for usage in all industrial, commercial and business applications.