



## Mantel Kit Assembly And Installation

MODEL: ASHTRMK-W



**⚠ CALIFORNIA PROPOSITION 65 WARNING:**

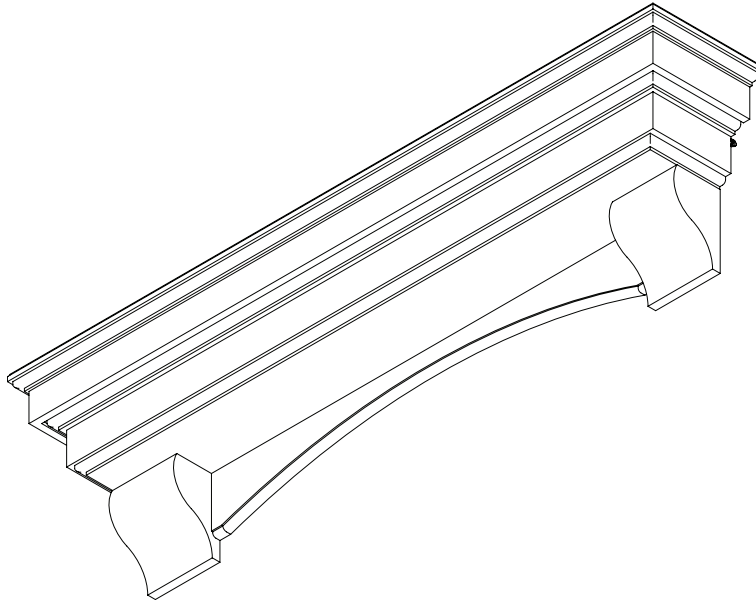
This product can expose you to chemicals including formaldehyde, which is known to the State of California to cause cancer, birth defects and/or other reproductive harm. For more information, go to [www.P65warnings.ca.gov](http://www.P65warnings.ca.gov)

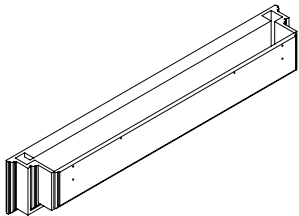
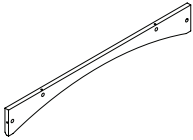


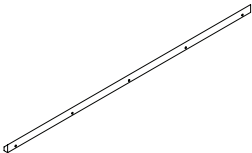
**Caution! The appliance is very heavy. The assistance from a second person is strongly suggested. Please use proper lifting technique when positioning the appliance for assembly and installation.**


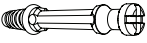
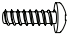
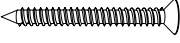

**UNITED STATES  
STOVE CO**  
ESTD 1869

United States Stove Company  
PO Box 151, 227 Industrial Park Rd.,  
South Pittsburg, TN 37380  
PH: (800) 750-2723  
[www.usstove.com](http://www.usstove.com)

# Parts List And Hardware



| PARTS LIST |                   |                                                                                     |     |
|------------|-------------------|-------------------------------------------------------------------------------------|-----|
| KEY        | NAME              | FIGURE                                                                              | QTY |
| ①          | FLOATING SHELVING |   | 1   |
| ②          | CURVED BOARD      |  | 1   |
| ③          | LEFT CORBELS      |  | 1   |
| ④          | RIGHT CORBELS     |  | 1   |
| ⑤          | WOOD STRIP        |  | 1   |

| HARDWARE LIST |                         |                                                                                       |     |
|---------------|-------------------------|---------------------------------------------------------------------------------------|-----|
| KEY           | NAME                    | FIGURE                                                                                | QTY |
| A             | CAM LOCKS<br>(Φ15x9mm)  |   | 4   |
| B             | CAM BOLTS<br>(Φ6x40mm)  |  | 4   |
| C             | SCREWS<br>(M6x35mm)     |  | 4   |
| D             | WOOD SCREWS<br>(8x60mm) |  | 5   |
| E             | WALL PLUGS<br>(Φ8x60mm) |  | 5   |

- Please check that you have all contents shown before starting assembly. Assemble on a soft surface to avoid damaging the product on your floor. To ensure safe and stable installation:
1. The assembled floating shelving can be fixed/secured to wall.
  2. The wall must be sturdy and in good repair.
  3. Some walls require alternative fixings not included.
  4. When drilling into the wall, check for hidden pipes and cables.

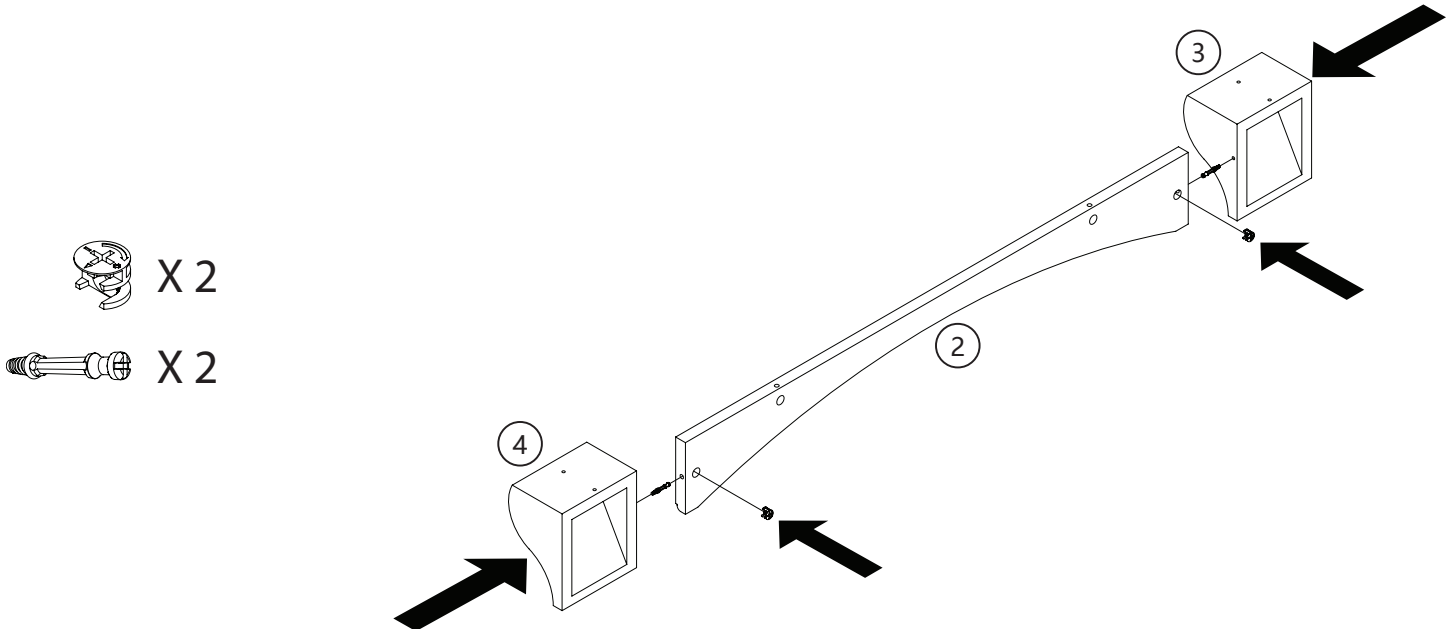
# Assembly Instructions

  
Mini Flat  
head Screwdriver

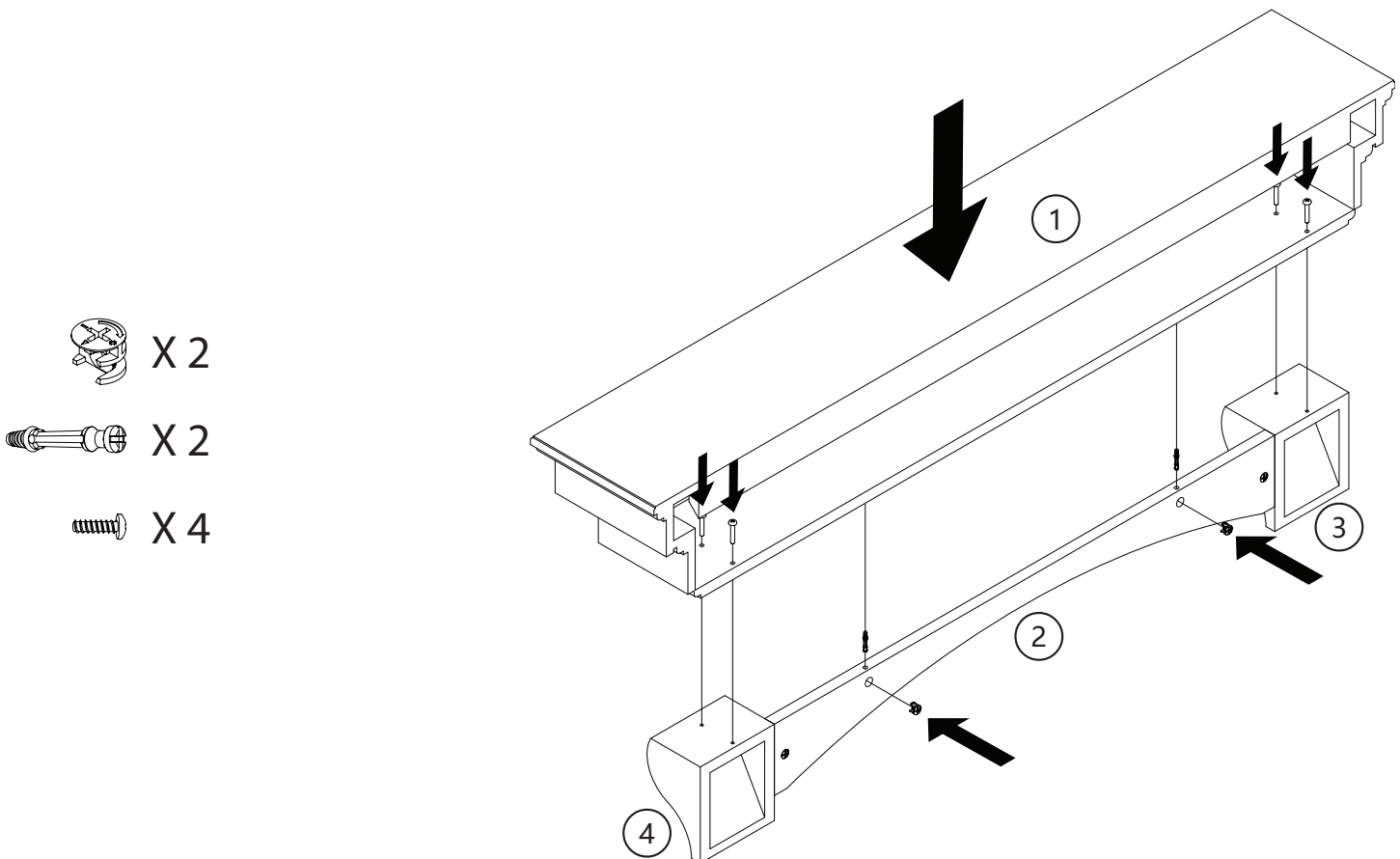
  
Mini Phillips  
head Screwdriver

  
Small hammer

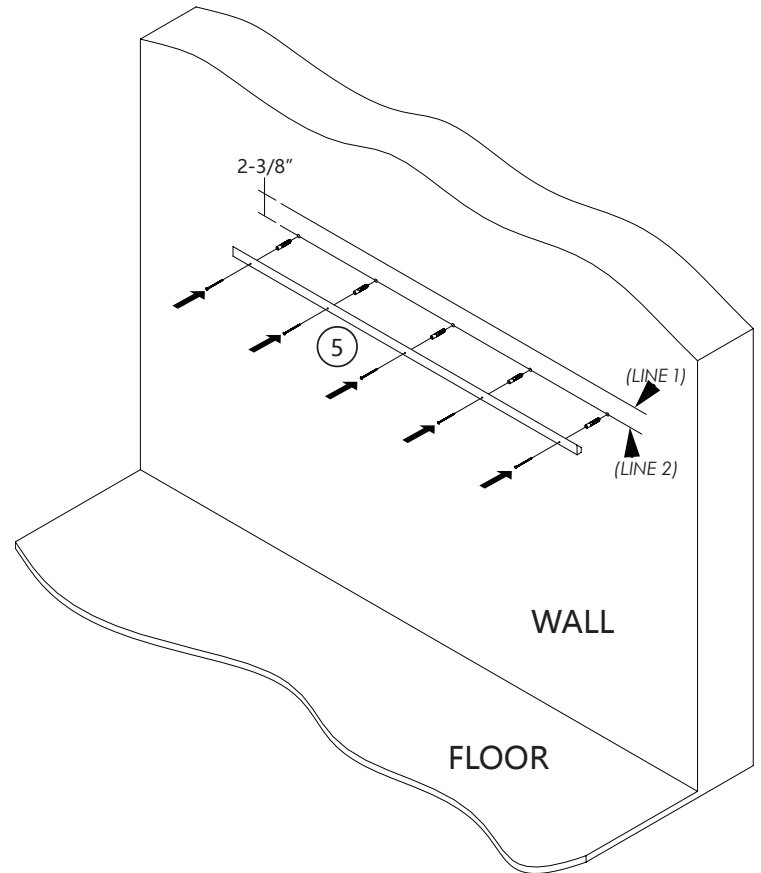
1. Attach the two (#3),(#4) corbels to the (#2) curved board using two Cam locks (A) and two Cam bolts (B).



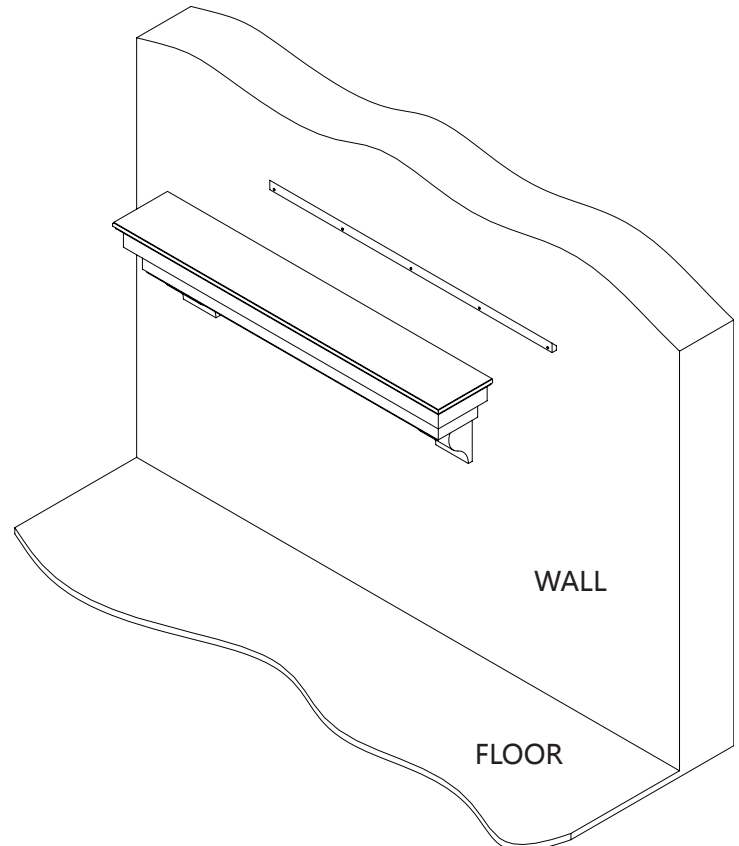
2. Attach the (#2) curved board to the (#1) float shelving using two Cam locks (A), and two Cam bolts (B). Attach the two (#3),(#4) corbels to the (#1) float shelving using four Screws (C).



3. Mark on the wall where you want the mantel mounted. Then measure 2-7/8" below that mark and draw a level straight line (Line 2). This is where you will mount your (#5) Wood Strip. Mark the 5 hole positions on the wall using the (#5) Wood Strip. Using a 7/16" drill bit, drill a pilot hole in each of the 5 marked hole positions. Using a hammer, insert the 5 wall plugs (E) into the wall, then attach the (#5) Wood Strip to the wall with 5 wood screws(D).



4. Align and center the Floating Shelf to the Wall Strip and hang it on the Wood Strip.



# Limited Warranty

The use of this mantel in a manner inconsistent with the owner's manual will void the warranty. United States Stove Company warrants this product to be free from defects in material and workmanship, to the original retail purchaser only, for the time period identified below, measured from the date of the initial purchase as evidenced on an invoice, canceled check, sales receipt, etc., to receipt of a claim by United States Stove Company ("USSC") or an authorized dealer, as follows:

## TIME PERIOD

One Year

## WARRANTY CONDITIONS

- This warranty only covers USSC mantels that are purchased through an USSC authorized retailer, dealer, distributor, or an authorized on-line retailer.
- This warranty is only valid while the USSC mantel remains at the site of original installation. This warranty does not apply to products purchased for rental use.

## CLAIM PROCEDURE

Contact United States Stove Company for warranty service. You will be asked to provide detailed descriptions and pertinent data, including proof of purchase which will be returned upon request. Providing the mantel has been installed and used in accordance with the Owners Manual supplied with the mantel and the issue does not fall under a situation of exclusion, United States Stove Company will either:

- Replace the defective part free of charge. Parts and/or service replacements made under the terms of this warranty are warranted only for the remaining period of the original unit warranty.
- Replace the unit free of charge. Should the unit be replaced by United States Stove Company "free of charge", all further warranty obligations are thereby met.
- Where the defect is of a cosmetic (non-functional) nature, United States Stove Company will bear reasonable expense to repair the unit, including such items as painting, and incidental labor. A "reasonable expense" is defined by terms of this warranty as \$30.00/hour with full refund for any purchase of parts.

## WARRANTY EXCLUSIONS

This warranty does not cover the following:

- Damage to or changes in surface finishes as a result of normal use.
- Repair or replacement of parts that are subject to normal wear and tear during the warranty period. These parts include: wood and painted surfaces.
- Damages resulting from: (1) failure to install, operate, or maintain the mantel in accordance with the installation instructions, operating instructions. (2) shipping or improper handling; (3) improper operation, abuse and misuse, alteration, or improperly/incorrectly performed repairs; (4) environmental conditions, weather. (5) installation or use of components not supplied with appliance or any other components not expressly authorized and approved by USSC; (6) modification of the appliance not expressly authorized and approved by USSC in writing.

## THIS WARRANTY IS VOID IF

- The appliance is subjected to prolonged periods of dampness or condensation. There is any damage to the appliance or other components due to water or weather damage.

## LIMITATIONS OF LIABILITY

The owner's exclusive remedy and USSC's sole obligation under this warranty, under any other warranty, express or implied, or in contract, tort or otherwise, shall be limited to replacement, repair, or refund, in USSC's sole and absolute discretion. In no event will USSC be liable for any incidental or consequential damages. THE LIMITED WARRANTY SET FORTH HEREIN IS THE SOLE WARRANTY PROVIDED TO PURCHASER AND IS IN LIEU OF ALL OTHER WARRANTIES AND REPRESENTATIONS, EXPRESS OR IMPLIED. USSC MAKES NO REPRESENTATIONS OR WARRANTIES WHATSOEVER, EXPRESS OR IMPLIED, WITH RESPECT TO THE PRODUCT, OTHER THAN (i) THE LIMITED WARRANTY ABOVE, AND (ii) ANY IMPLIED WARRANTIES IMPOSED BY APPLICABLE LAW WHICH CANNOT BE WAIVED OR

DISCLAIMED UNDER APPLICABLE LAW. ALL OTHER WARRANTIES OF ANY KIND, INCLUDING WITHOUT LIMITATION IMPLIED WARRANTIES OF MERCHANTABILITY AND FITNESS FOR A PARTICULAR PURPOSE, ARE HEREBY DISCLAIMED AND EXCLUDED TO THE FULLEST EXTENT NOT PROHIBITED BY APPLICABLE LAW. This Limited Warranty gives the purchaser specific legal rights; a purchaser may have other rights depending upon where he or she resides. Some states do not allow the exclusion or limitation of special, incidental or consequential damages, or state law may affect the duration of limitations, so the above exclusion and limitations may not be applicable.

## **WARRANTOR**

The warrantor of record is United States Stove Company, PO Box 151, 227 Industrial Park Road, South Pittsburg, Tennessee 37380. Phone number: (800)-750-2723. Register your product on line at [www.usstove.com](http://www.usstove.com). Save your proof of purchase, as documented in a receipt or invoice, with your records for any claims.

## **IMPORTANT**

We congratulate you on your selection of United States Stove Company and its products. As the oldest solid fuel manufacturer in the United States (since 1869), the United States Stove Company is very proud of its products, service, employees, and satisfied customers. We would like to hear from you if you are not satisfied with the manner in which you have been handled by our distributor, dealer, representative, customer service department, parts department, or sales department. Please reach out to us by using any of the contact information listed above.