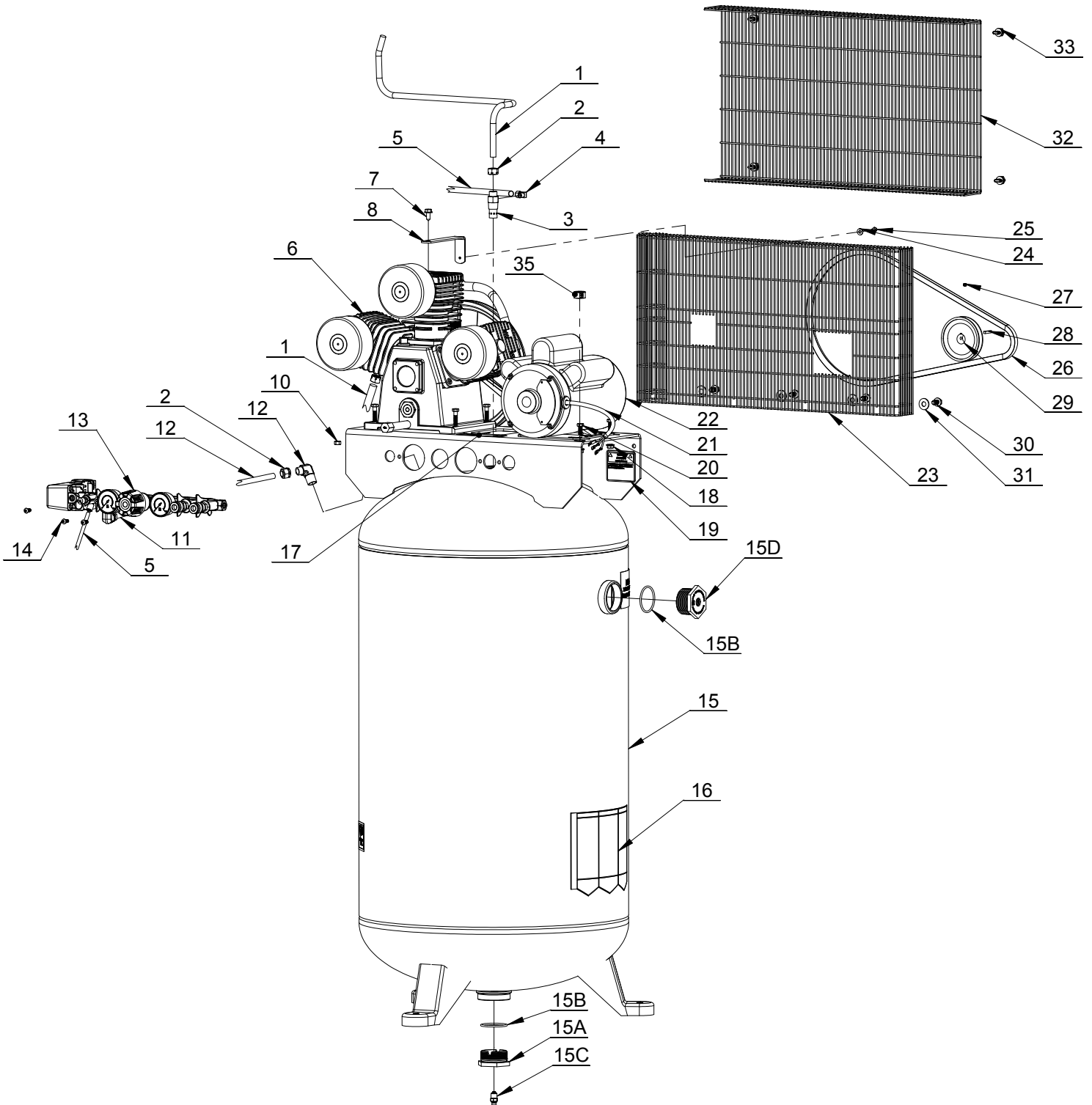


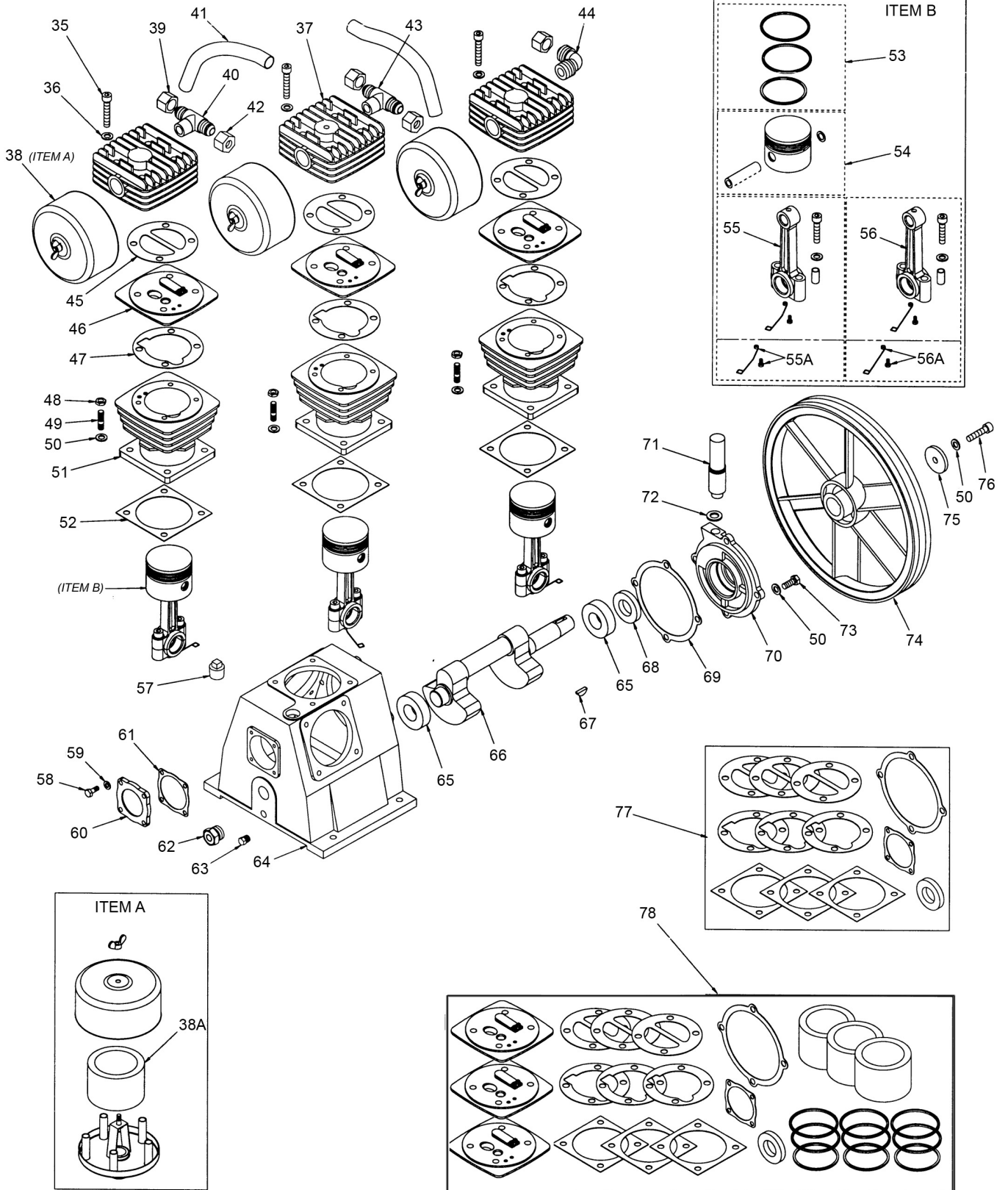
Parts drawing for DXCMLA4708065



Parts list for DXCMLA4708065

Item Number	Part Number	Description	Qty. Required
1	145-0488	Transfer tube	1
2	058-0016	Compression nut	2
3	031-0060	Check valve	1
4	064-0003	Elbow	1
5	145-0495	Bleeder tube	1
6	040-0353 (see pages 3 & 4)	Pump assembly (<i>includes items 35-73</i>)	1
7	059-0012	Bolt, 5/16 x 1/2"	1
8	114-0624	Bracket	1
9	059-0010	Bolt, 5/16 x 1.25"	4
10	058-0145	Nut, 5/16"	4
11	145-0536	Transfer tube	1
12	064-0002	Elbow	1
13	See page 5	Manifold assembly	1
14	061-0213	Screw, 1/4-20 x 5/8"	3
15	021-0235	Tank assembly (<i>includes items 15A-15D</i>)	1
15A	512-0041	<i>Bushing, 2" NPT x 1/4" NPT</i>	1
15B	513-0001	<i>O-Ring 2"</i>	2
15C	072-0006	<i>Petcock</i>	1
15D	512-0042	<i>Bushing, 2" NPT x 3/8" NPT</i>	1
16	098-3870	Warning label	1
17	098-2856	Warning label	1
18	058-0125	Nut, 5/16-18	4
19	098-3031	Warning label	1
20	059-0362	Bolt, 5/16 x .75"	4
21	026-0735	Interconnect cord	1
22	160-0337	Motor	1
22A	166-0191	<i>Start capacitor</i>	1
22B	166-0193	<i>Start capacitor cover</i>	1
22C	166-0192	<i>Run capacitor</i>	1
22D	166-0194	<i>Run capacitor cover</i>	1
23	125-0177	Beltguard (inner)	1
24	060-0146	Washer, #10	1
25	061-0113	Screw, 10-24 x .50"	1
26	007-0069	Belt	1
27	061-0238	Setscrew	2
28	146-0016	Key	1
29	006-0152	Pulley	1
30	059-0164	Screw, 3/8-16 x 3/4	4
31	060-0023	Washer 3/8"	4
32	115-0312	Beltguard	1
33	103-0073	Fastener	4
34	093-0078	Grommet	1

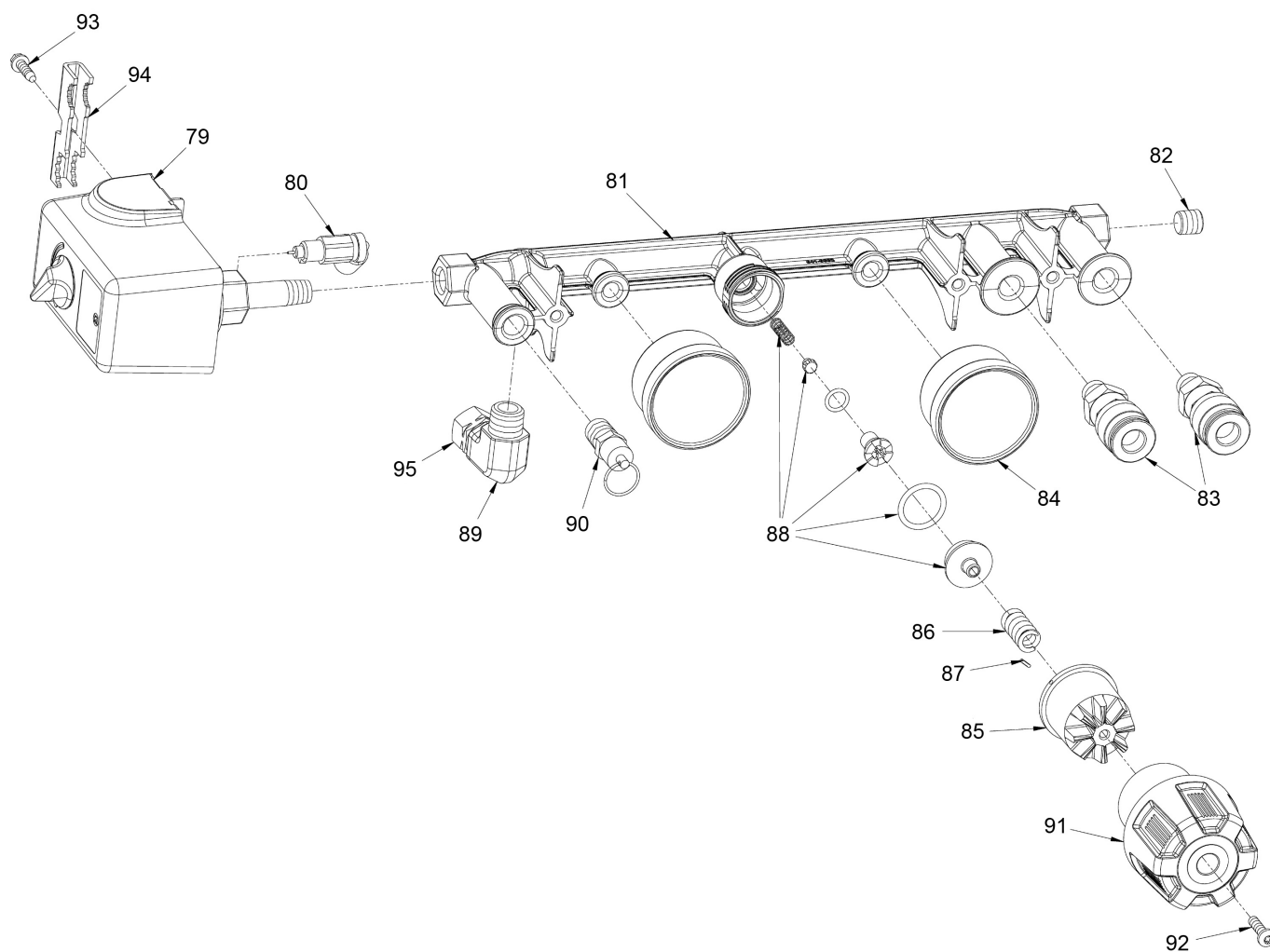
Parts drawing for pump 040-0353 (14 CFM)



Parts list for pump 040-0353 (14 CFM)

Item Number	Description	Qty. Required	Qty. Required
35	059-0412	Screw, M8 x 65	12
36	060-0219	Washer, M8	12
37	042-0117	Head	3
38	019-0222	Filter canister assembly <i>(includes item 4A)</i>	3
38A	019-0221	Element, filter replacement	3
39	058-0016	Compression nut	1
40	069-0025	Tee fitting	1
41	145-0447	Finned tube <i>(includes item 10 (qty. 2))</i>	2
42	058-0186	Airflow nut	4
43	069-0024	Tee fitting	1
44	064-0077	Elbow	1
45	046-0286	Gasket, head to valve plate	3
46	043-0194	Valve plate assembly	3
47	046-0287	Gasket, valve plate to cylinder	3
48	058-0188	Nut, M8	12
49	059-0413	Stud, M8*22	12
50	060-0222	Lock washer, M8	23
51	050-0062	Cylinder	3
52	046-0288	Gasket, cylinder to crankcase	3
53	054-0241	Ring Set	3
54	048-0117	Piston assembly	3
55	047-0094	Rod (middle)	1
55A	056-0068	Oil dipper, straight	1
56	047-0095	Rod (outer)	2
56A	056-0069	Oil dipper, bend	2
57	056-0070	Oil fill plug	1
58	059-0414	Screw, M6 x 18	4
59	060-0220	Lockwasher, M6	4
60	077-0180	Cap, rear end	1
61	046-0289	Gasket, rear end	1
62	032-0071	Oil sight glass w/o-ring	1
63	062-0075	Oil drain plug, 3/8" NPT	1
64	049-0051	Crankcase	1
65	051-0099	Bearing	2
66	053-0105	Crankshaft, extended	1
67	146-0026	Key, 5 MM x 20 MM	1
68	046-0290	Oil seal	1
69	046-0291	Gasket, carrier	1
70	077-0181	Carrier	1
71	056-0071	Breather, <i>(includes item 40)</i>	1
72	060-0221	Breather washer, 22MM dia	1
73	059-0415	Screw, M8 x 20	4
74	044-0063	Flywheel, 12" A groove	1
75	060-0183	Flywheel washer	1
76	059-0416	Screw, M8 x 35	1
77	046-0292	Gaskets, complete set <i>(includes items 13, 15, 20, 29, 36 and 37)</i>	1
78	165-0265	Overhaul kit <i>(includes items 13, 15, 20, 29, 36 and 37)</i>	1

Parts drawing for manifold assembly 141-0284



Parts list for manifold assembly 141-0284

Item Number	Part Number	Description	Qty. Required
79	034-0184	Switch, pressure <i>(includes items 80 & 93-94)</i>	1
80	136-0090	Valve, bleeder	1
81	141-0283	Manifold assembly <i>(includes items 82-89)</i>	1
82	062-0035	Plug, 1/4"	1
83	036-0031	Quick connect coupler	2
84	032-0092	Gauge, 300# 1/8" back connect	2
85	092-0025	Knob, inner	1
86	055-0078	Spring	1
87	107-0056	Pin	1
88	105-0016	Regulator repair kit	1
89	064-0091	Elbow 3/8" NPT x 1/2"	1
90	136-0077	Pressure relief valve	1
91	092-0037	Knob, outer	1
92	061-0203	Screw, #10-16 x 1/2"	1
93	071-0033	Strain relief	1
94	061-0216	Screw	1
95	058-0016	Compression nut, 1/2"	1