

Features

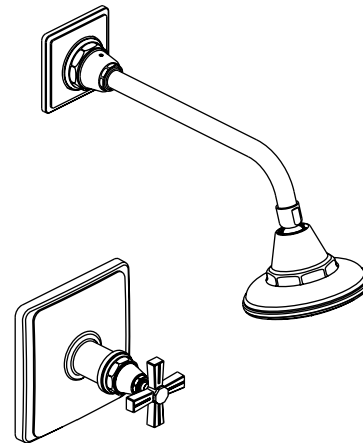
- Metal construction
- Available with cross or lever handles
- For use with non-diverter valve
- Complements Pinstripe[®] Suite

**SHOWER FAUCET TRIM
K-T13134
ALSO K-T13135**

Codes/Standards Applicable

Specified model meets or exceeds the following:

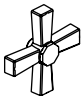
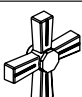

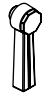
- ASME A112.18.1/CSA B125.1



Colors/Finishes

- CP: Polished Chrome
- Other: Refer to Price Book for additional colors/finishes
- NA: None applicable

Specified Model

Model	Description		Colors/Finishes	
K-T13134-3A	Shower trim with plain cross handles		<input type="checkbox"/> CP	<input type="checkbox"/> Other ____
K-T13135-3A	Valve trim with plain cross handles		<input type="checkbox"/> CP	<input type="checkbox"/> Other ____
K-T13134-3B	Shower trim with grooved cross handles		<input type="checkbox"/> CP	<input type="checkbox"/> Other ____
KT-13135-3B	Valve trim with grooved cross handles		<input type="checkbox"/> CP	<input type="checkbox"/> Other ____
K-T13134-4A	Shower trim with plain lever handles		<input type="checkbox"/> CP	<input type="checkbox"/> Other ____
K-T13135-4A	Valve trim with plain lever handles		<input type="checkbox"/> CP	<input type="checkbox"/> Other ____
K-T13134-4B	Shower trim with grooved lever handles		<input type="checkbox"/> CP	<input type="checkbox"/> Other ____
KT-13135-4B	Valve trim with grooved lever handles		<input type="checkbox"/> CP	<input type="checkbox"/> Other ____

Product Specification

The shower faucet trim shall be made of metal construction. Product shall be available with cross or lever handles. Shower trim is for use with a non-diverter valve. Product shall complement the Pinstripe Suite. Faucet trim shall be K-____-____-____ and Rite-Temp pressure-balancing valve shall be K-____-____-NA.

PINSTRIBE®

Required Accessories

K-304-*	Rite-Temp® valve OR	<input type="checkbox"/> NA
K-2971-KS	HiFlow Rite-Temp valve with stops OR	<input type="checkbox"/> NA

* For a complete listing of all the Rite-Temp valves, refer to the K-304-* Specification Sheet or Roughing-In Sheet.

Optional Accessories

73418	Deep rough-in kit	<input type="checkbox"/> NA	
88526	HiFlow Rite-Temp® thin wall installation kit	<input type="checkbox"/> CP	<input type="checkbox"/> Other ____

Installation Notes

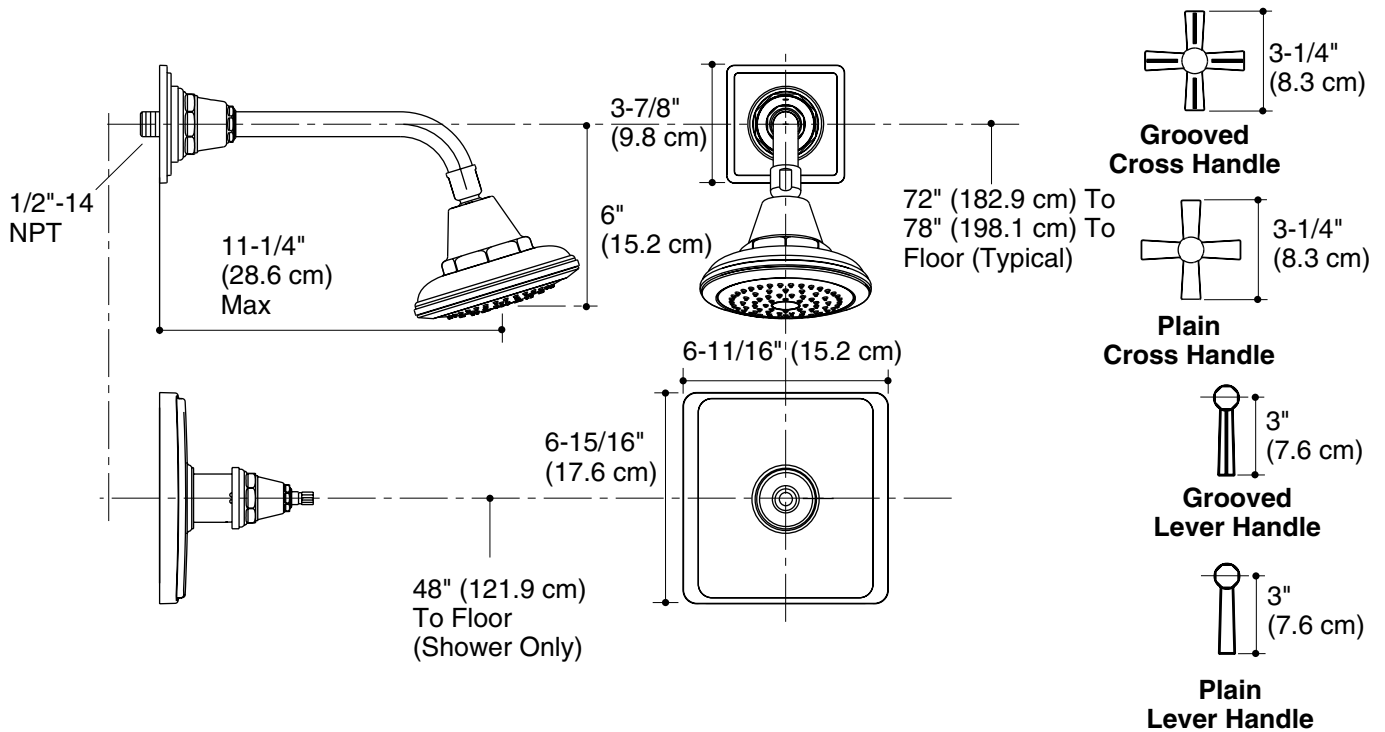
Install this product according to the installation guide.

NOTICE: Risk of product damage. Long screws, for installing trim, can damage the K-2971-KS valve. Consult the trim installation guide to verify if the thin wall installation kit (88526) is needed.

Avoid cross-flow conditions. Do not install shut-off device on either valve outlet.

Cap shower outlet if deck-mount spout, diverter, or handshower is connected to spout outlet.

Install straight pipe or tube drop of 7" (17.8 cm) to 18" (45.7 cm) with single elbow between valve and wall-mount spout.



Product Diagram