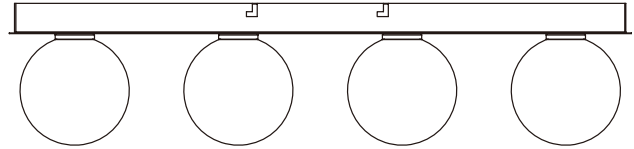





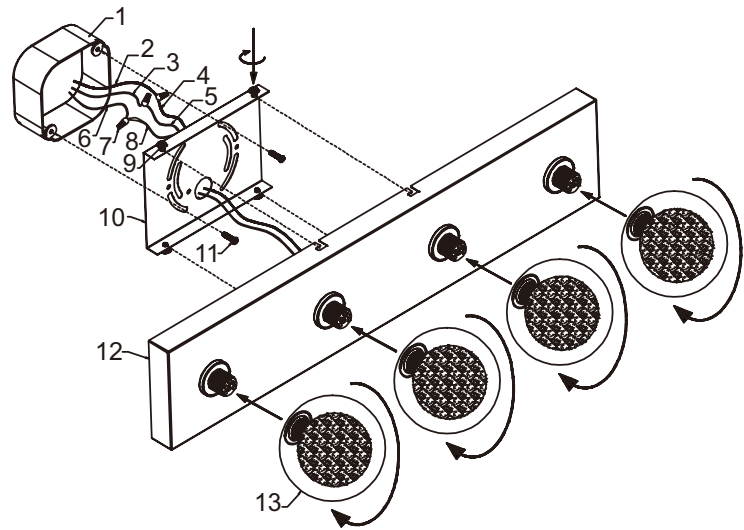
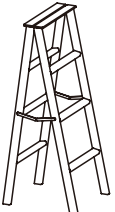

Questions?

For customer service please call us at 1-888-743-5766
Office Hours: 8:00 a.m. – 5:00 p.m. PST Monday-Friday



PLEASE REVIEW THE INSTRUCTIONS AND WARNINGS LISTED BELOW PRIOR TO PROPER INSTALLATION

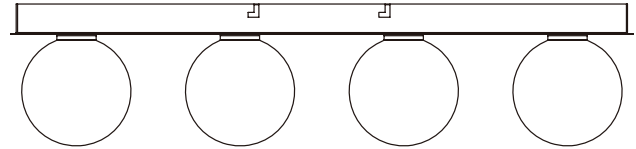
WARNINGS	CAUTIONS
<ul style="list-style-type: none"> • Risk of fire / electrical shock • LED Fixture installation requires knowledge of luminaire electrical systems. • Risk of electric shock – disconnect power at source before installation • Do not make or alter any open holes in an enclosure of wiring or electrical components during installation. • If lamp or luminaire exhibits abnormal operation (buzzing, flickering, minimal light, etc.), turn off power, remove fixture and contact us. For more information please visit www.eurilighting.com or call our toll-free number 1-888-743-5766. • Wear gloves to prevent cuts/abrasions from sharp edges when removing from carton, handling, and maintaining this fixture. 	<ul style="list-style-type: none"> • Do not use with dimmers. • Do not look directly at the operating LED Fixture. • Do not touch this product with wet hands. • Do not disassemble, repair or alter lamp. • Designed for indoor applications only. • Suitable for damp locations. • The luminaires shall be grounded. • Be careful not to touch the lamp pins to the metal housing when installing. • This Device is not intended for use with emergency exits or emergency lights. • Installation by a licensed Electrician recommended.

Tools Required	Parts List			
Phillips Screwdriver 	Remove the fixture and the mounting package from the box and make sure that no parts are missing by referencing the illustrations on the installation instructions. 			
Ladder 				
Safety Goggles 	1	Outlet box	9	M4*8 Machine tapping screws(4)
	2	Black Supply Wire	10	Mounting Bracket
	3	White Supply Wire	11	8-32*15 Machine tapping screws(2)
	4	Black Fixture Wire(s)	12	Fixture Plate
	5	White Fixture Wire(s)	13	Glass Bulbs(4)
	6	Supply Ground Wire		
	7	P3 Rotatable Connectors(3)		
	8	Fixture Ground Wire		



Questions?

For customer service please call us at 1-888-743-5766
Office Hours: 8:00 a.m. – 5:00 p.m. PST Monday-Friday



PLEASE REVIEW THE INSTRUCTIONS AND WARNINGS LISTED BELOW PRIOR TO PROPER INSTALLATION

WARNINGS	CAUTIONS
<ul style="list-style-type: none"> • Risk of fire / electrical shock • LED Fixture installation requires knowledge of luminaire electrical systems. • Risk of electric shock – disconnect power at source before installation • Do not make or alter any open holes in an enclosure of wiring or electrical components during installation. • If lamp or luminaire exhibits abnormal operation (buzzing, flickering, minimal light, etc.), turn off power, remove fixture and contact us. For more information please visit www.eurilighting.com or call our toll-free number 1-888-743-5766. • Wear gloves to prevent cuts/abrasions from sharp edges when removing from carton, handling, and maintaining this fixture. 	<ul style="list-style-type: none"> • Do not use with dimmers. • Do not look directly at the operating LED Fixture. • Do not touch this product with wet hands. • Do not disassemble, repair or alter lamp. • Designed for indoor applications only. • Suitable for damp locations. • The luminaires shall be grounded. • Be careful not to touch the lamp pins to the metal housing when installing. • This Device is not intended for use with emergency exits or emergency lights. • Installation by a licensed Electrician recommended.

Installation:

1. Pull out the power supply wires (#2, #3, #6), from the outlet box (#1), and thread the wires through the hole in the mounting bracket (#10).
2. Install the mounting bracket (#10) on the outlet box (#1) by tightening 8-32*15 machine tapping screws (#11).
3. Make the wiring connections by using P3 rotatable connectors (#7):
 - Connect black supply wire (#2) to black fixture wire (#4)
 - Connect white supply wire (#3) to white fixture wire (#5)
 - Connect house ground wire (#6) to fixture ground wire (#8).

If house wiring includes no ground wire, consult an electrician.
4. Put three pairs of connected wires back into the outlet box (#1).
5. Align the slots on the fixture plate(#12) with the slots on the mounting bracket (#10), and tighten the plate (#12) on the bracket (#10) by M4*8 Machine tapping screws (#9).
6. Screw four glass bulbs (#13) into the base on fixture plate (#12) by clockwise rotation; avoid the glass bulb damage caused by overexertion.