

Dyna-Glo® Owner's Manual

Español p. 22

Français p. 43

OUTDOOR
PATIO HEATER

MODEL #DGPH201BR
DGPH202SS

⚠ DANGER

If you smell gas:

1. Shut off gas to the appliance.
2. Extinguish any open flame.
3. If odor continues, keep away from the appliance and immediately call your gas supplier or fire department.

⚠ WARNING

WARNING indicates an imminently hazardous situation which, if not avoided, will result in death or serious injury.

⚠ WARNING

Do not store or use gasoline or other flammable vapors and liquids in the vicinity of this or any other appliance. An LP-cylinder not connected for use shall not be stored in the vicinity of this or any other appliance.

⚠ WARNING: For Outdoor Use Only

⚠ WARNING

Improper installation, adjustment, alteration, service or maintenance can cause property damage, injury, or death. Read the installation, operation and maintenance instructions thoroughly before installing or servicing this equipment.



ANS Z83.26-2014 • CSA 2.37-2014 Gas-Fired
Outdoor Infrared Patio Heaters

ATTACH YOUR RECEIPT HERE

Serial Number _____ Purchase Date _____



Questions, problems, or missing parts? Before returning to your retailer, call our customer service department at 1-877-447-4768, 8:30AM - 4:30PM CST, Monday - Friday, or e-mail customer service at customerservice@ghpgroupinc.com.

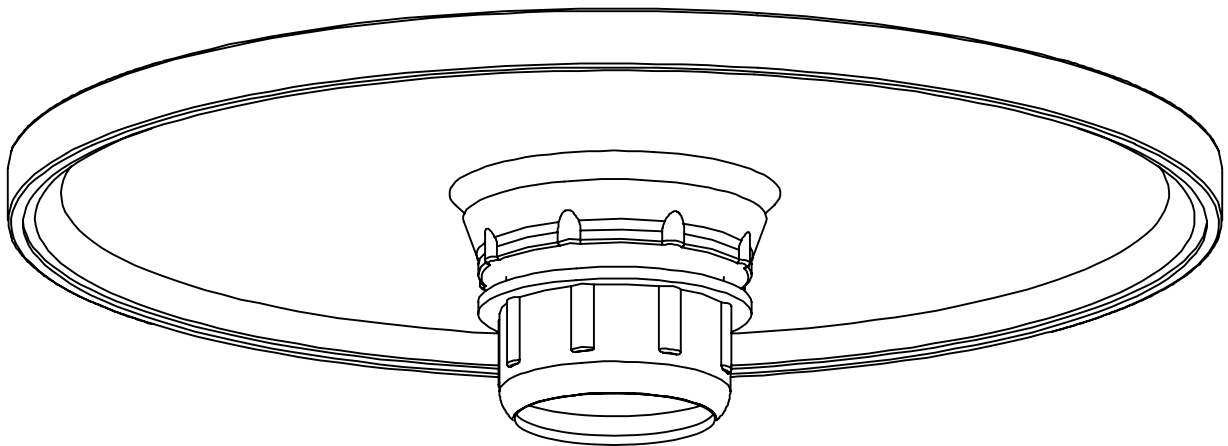
Dyna-Glo®

PATIO HEATER TABLE ACCESSORY

MODEL #DGPH901ATBR / #DGPH902ATSS

Español p.12

Français p.23



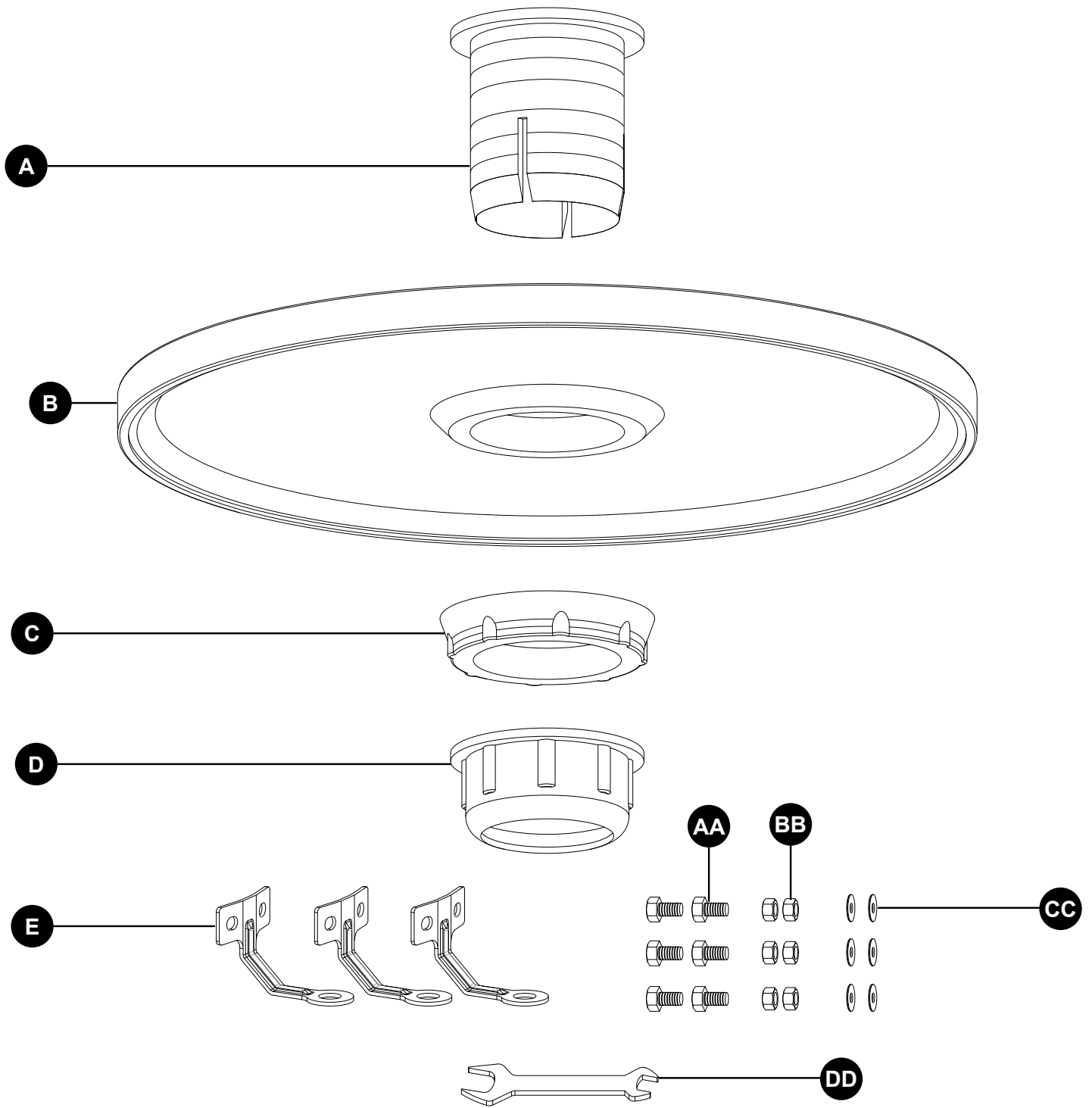
ATTACH YOUR RECEIPT HERE

Serial Number _____ Purchase Date _____



Questions, problems, missing parts? Before returning to your retailer, call our customer service department at 1-877-447-4768, 8:30 a.m. – 4:30 p.m., CST, Monday – Friday, or email us at customerservice@ghpgroupinc.com.

PACKAGE CONTENTS



PART	DESCRIPTION	QUANTITY
A	Plastic Connector	1
B	Table	1
C	Fastener	1
D	Plastic Nut	1
E	Nail Fixing Brackets	3

PART	DESCRIPTION	QUANTITY
AA	M6 x 10mm Bolts	6
BB	M6 Nut	6
CC	Washer Ø6	6
DD	Wrench	1

SAFETY INFORMATION

Please read and understand this entire manual before attempting to assemble, operate or install the product.

WARNING

This product can expose you to chemicals including Benzene which is known to the State of California to cause cancer and developmental harm.

For more information go to www.p65warnings.ca.gov

WARNING

- Do not allow children to play with the patio heater table.
- Do NOT apply more than 20 lbs. to the patio heater table.

PREPARATION

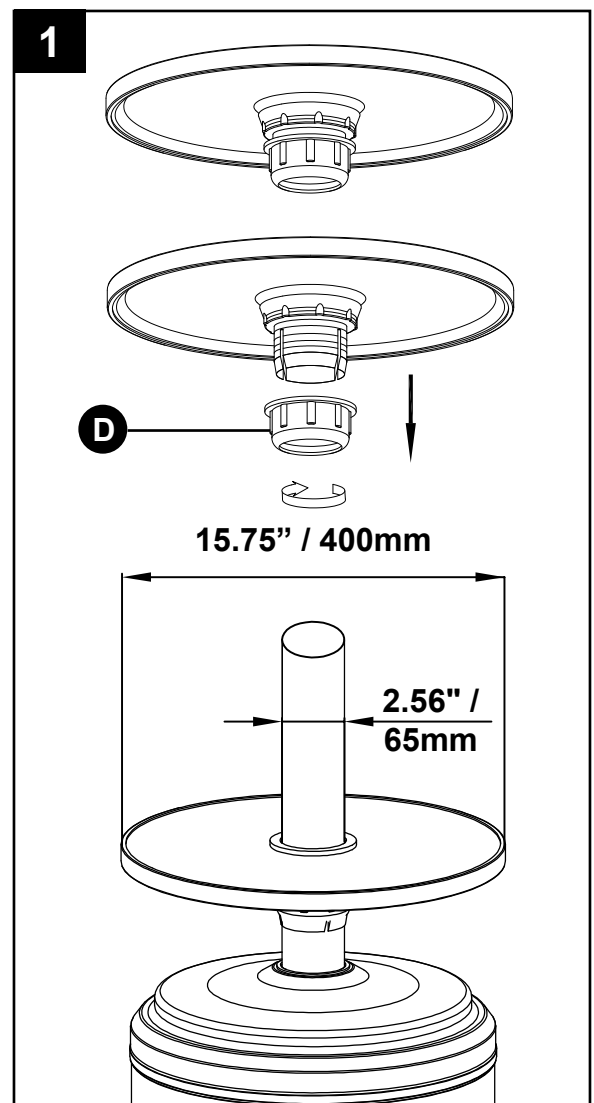
Before beginning assembly of product, make sure all parts are present. Compare parts with package contents list and hardware contents above. If any part is missing or damaged, do not attempt to assemble the product. Contact customer service for replacement parts.

Estimated Assembly Time: 15 minutes.

ASSEMBLY INSTRUCTIONS

1. Take the table assembly out from the package. Turn the fastener (D) counterclockwise and remove it from the table assembly as shown.

Note: The table is designed to fit the DGP100/200 series patio heaters and any other patio heater with a post diameter of 2.56" or 65mm.

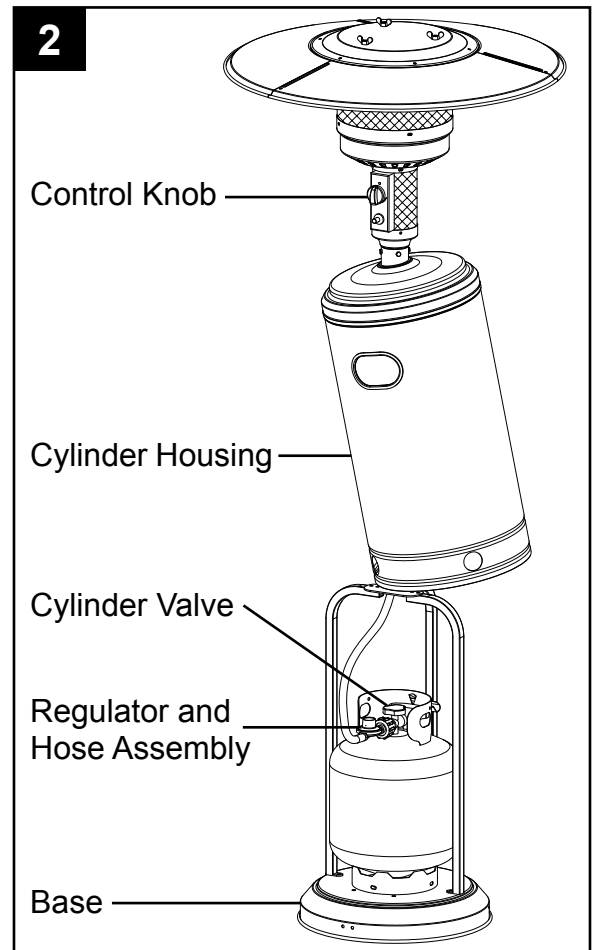


ASSEMBLY INSTRUCTIONS

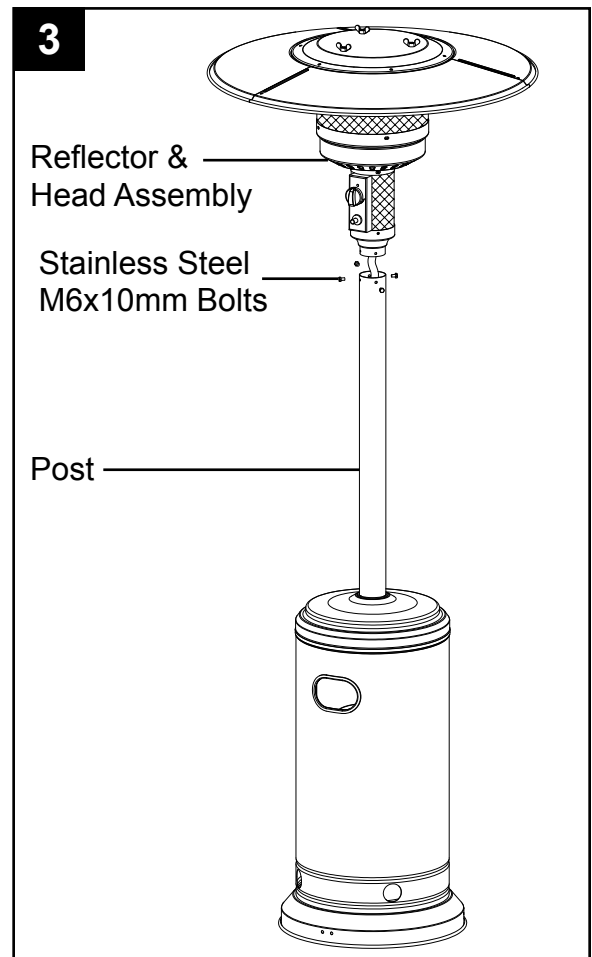
Note: If this is a new unit, please see the instruction manual included with the patio heater to begin assembly.

If you are placing this on an already assembled unit:

2. a. Make sure the control knob is in the OFF position and the patio heater has cooled.
- b. Lift up the cylinder housing.
- c. Close the cylinder valve by turning clockwise. Disassemble the regulator and the cylinder valve.
- d. Remove the propane cylinder from the base.

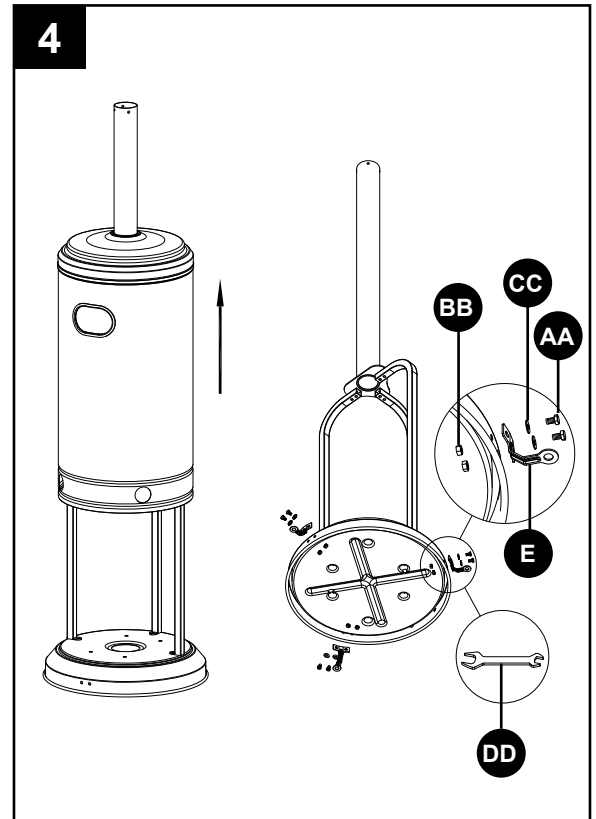


3. Unscrew the four stainless steel M6x10mm bolts connecting the post and the reflector / head assembly and put them aside for later use. Remove the complete reflector and head assembly from the post. Be careful that the regulator does not hook onto the post when taken out. Put the reflector and head assembly aside.



ASSEMBLY INSTRUCTIONS

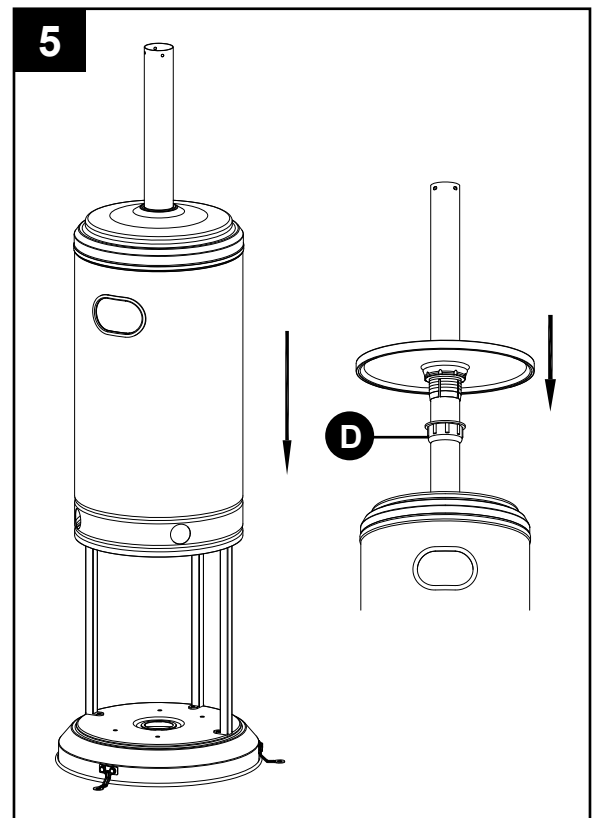
4. Remove the cylinder housing and put it aside. Lay the base assembly down on the floor. Attach the three nail fixing brackets (E) to the base with six M6X10 mm bolts (AA) and six washer Ø6 (CC) as illustrated. Secure with six M6 nuts (BB). Tighten with the wrench (DD).



Note: If this is your first time assembling the unit with the table, begin the table assembly here.

If you disassembled a previously owned unit, continue to add the table:

5. Slide the fastener (D) and table assembly onto the post as illustrated. Do not tighten the fastener (D) at this time.

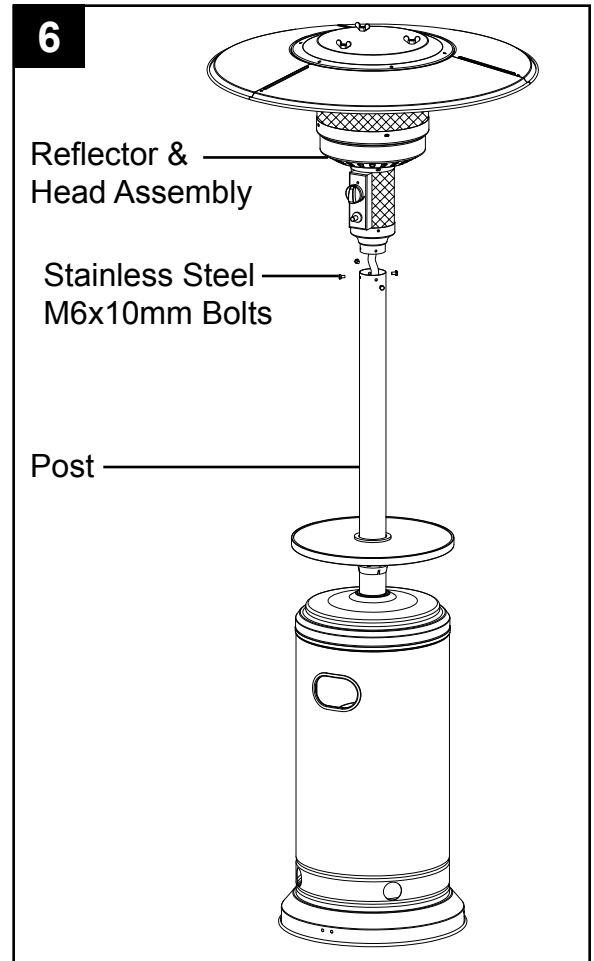


ASSEMBLY INSTRUCTIONS

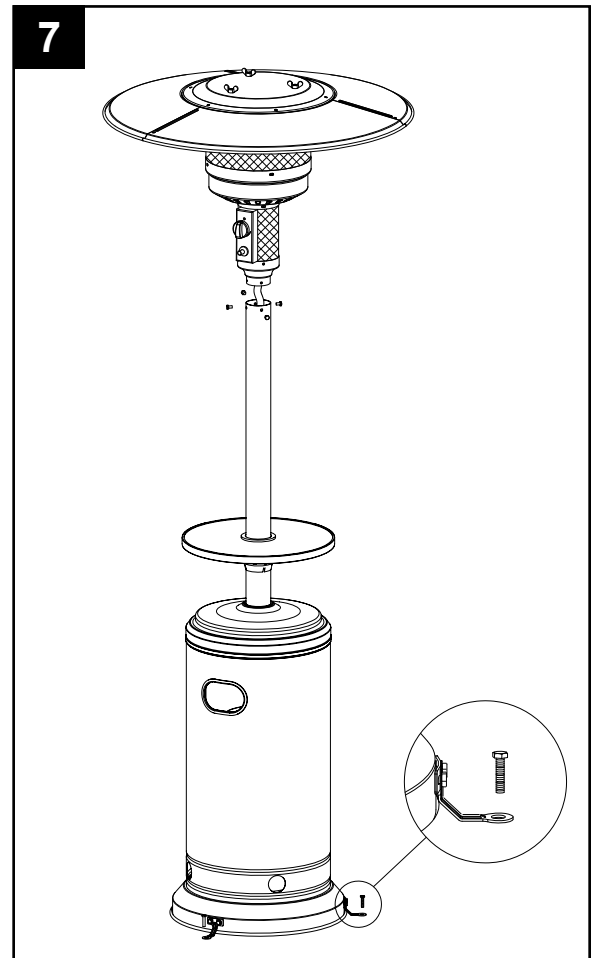
Re-assembly if you have just disassembled the unit:

Note: If this is a new unit, please see the instruction manual included with the patio heater to complete assembly.

6. Insert the reflector and head assembly into the post and assemble them with the four stainless steel M6x10mm bolts previously removed.

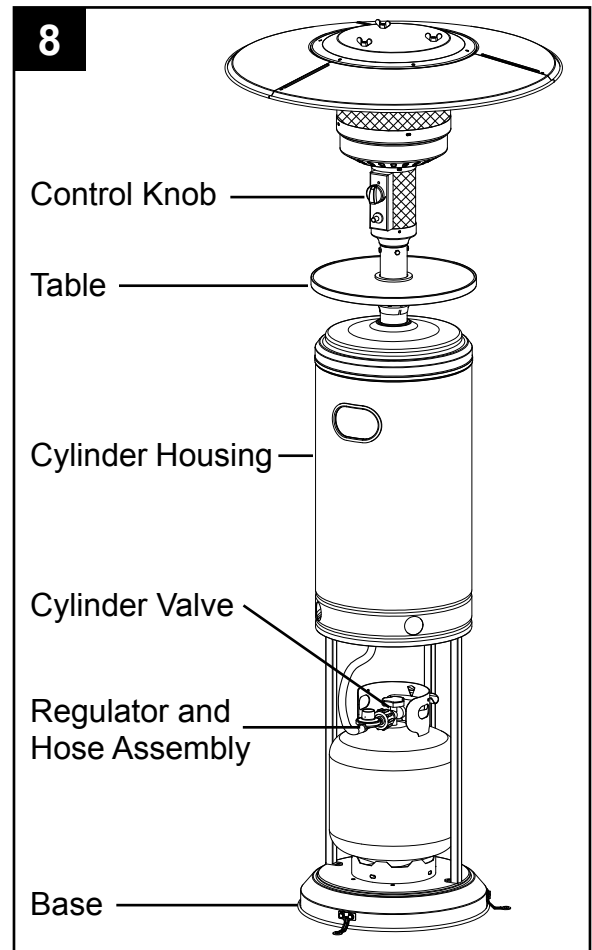


7. To secure the unit, please use 3 nails M8X100 (not included) to nail the unit to the ground.



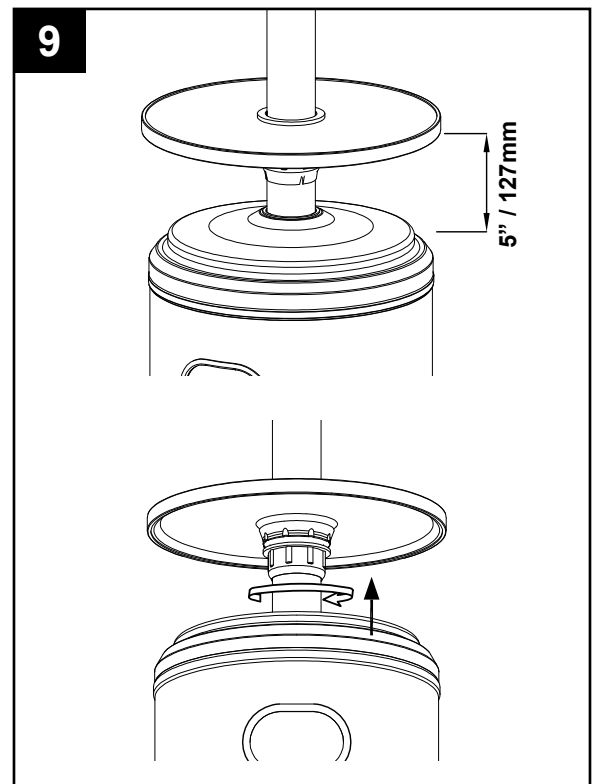
ASSEMBLY INSTRUCTIONS

8. a. Make sure the control knob is in the OFF position.
- b. With the assistance of another person, slide the table and the nut to the top of the post and lightly tighten. Then raise the cylinder housing to expose the base.
- c. While one person holds the cylinder housing in the raised position, the other person should put the propane cylinder onto the base.
- d. Connect the regulator to the cylinder valve and turn on the cylinder valve.
- e. Check the cylinder valve and regulator for gas leakage.
- f. Make sure there is no gas leakage following the "Leak Check" instructions on page 10. Then, the cylinder housing can be put back in place.



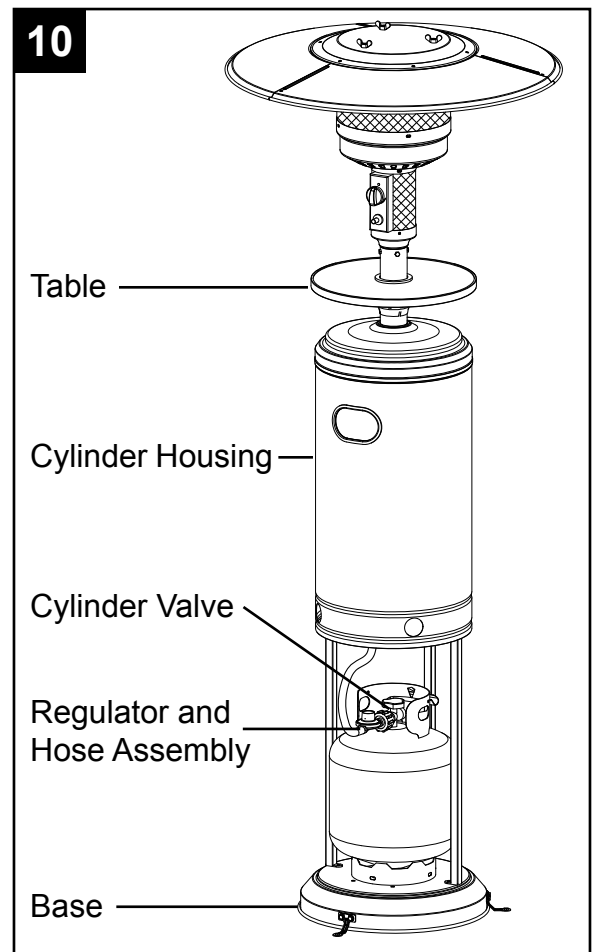
9. Position the table a minimum of 5"/127mm above the cylinder housing. Screw the plastic nut into the table by turning it clockwise and hand tighten.
- Note: Max. loading capacity of the table is 20 lbs / 9 kg.*

Caution: Do not use a tool to tighten.



ASSEMBLY INSTRUCTIONS

10. To change or access the propane tank, you will need to completely unscrew the nut and move the table and nut all the way up to the top of the post. Lightly tighten. Use the assistance of a second person to hold up the cylinder housing while you tend to the propane tank.



For Patio Heater Operation instructions, please refer back to the instruction manual that came with the unit.

CONNECTING GAS CYLINDER

Use only 20-pound cylinders (approximately 18 ¼ inches high and 12 ¼ inches in diameter) equipped with a cylinder connection device compatible with the connection for outdoor cooking appliances. The gas cylinder should not be dropped or handled roughly!

Minimum Gas Supply Pressure : 5.0 psi / 35 kPa
Maximum Gas Supply Pressure Bottle pressure
Outlet pressure setting of regulator is 11.0 in. W.C / 2.74 kPa -LPG.

Storage of an appliance indoors is permissible only if the cylinder is disconnected and removed from the appliance. A cylinder must be stored outdoors in a well-ventilated area out of the reach of children. A disconnected cylinder must have dust caps tightly installed and must not be stored in a building, garage or any other enclosed area. The minimum hourly of 17000Btu/H / 4.98 KW is required input rating for a heater for automatic operation at ratings less than full input rating. The pressure regulator and hose assembly supplied with the appliance must be used. The installation must conform with local codes, or in the absence of local codes, with national fuel gas code, ANS Z223.1/NFPA54, natural gas and propane Installation Code, CSA B149.1, or propane storage and handling code, B149.2.

ASSEMBLY INSTRUCTIONS

A dented, rusted, or damaged propane cylinder may be hazardous and should be checked by your cylinder supplier. Never use a propane cylinder with a damaged valve connection.

The propane cylinder must be constructed and marked in accordance with the specifications for LP gas cylinders of the U.S. Department of Transportation (DOT) or the standard for cylinders, spheres and tubes for transportation of dangerous goods and commission, CAN/CSA-B339.

The cylinder must have a listed overfilling prevention device.

The cylinder must have a connection device compatible with the connection for the appliance.

The cylinder used must include a collar to protect the cylinder valve.

Never connect an unregulated propane cylinder to the heater.

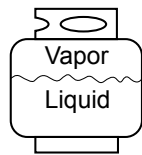
Before connection, be sure that there is no debris caught in the outlet of the gas cylinder, inlet of the regulator valve or in the outlet of the burner and burner ports.

Connect regulator valve and hand-tighten firmly. Keep the propane cylinder valve closed and disconnect the propane cylinder from the regulator valve when the appliance is not in use.

DO NOT obstruct the flow of combustion air and ventilation air to the appliance.

The propane cylinder must be arranged for vapor withdrawal and equipped with a listed overfilling prevention device. Please use the proper cylinder orientation to provide vapor withdrawal.

NOTE: The cylinder must be fully upright for the cylinder to have vapor withdrawal only.



Correct





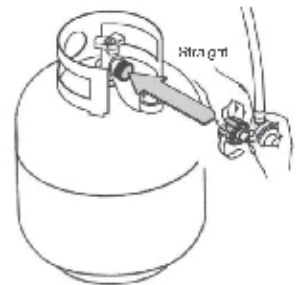
Wrong





Wrong

CONNECTING THE LP TANK

1. The knob on the LP tank must be closed. Make sure that the knob is turned  clockwise to a full stop. The cylinder supply system must be arranged for vapor withdrawal.
2. Check that the control knob on the control panel is turned off.
3. Remove the protective cap from the LP tank valve and coupling nut.
4. Hold the regulator in one hand and insert the nipple into the valve outlet. Be sure the nipple is centered in the valve outlet. The coupling nut connects to the large outside threads on the valve outlet. Use care - do not cross thread the connection.
5. Hand-tighten the coupling nut  clockwise until it comes to a full stop. Firmly tighten by hand only. Do not use tools.



TO DISCONNECT

Fully close the tank valve by turning  clockwise. Turn the coupling nut  counterclockwise until the regulator assembly detaches.

WARNING:

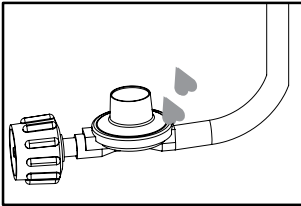
- Do not store a spare LP-gas cylinder under or near this appliance;
- Never fill the cylinder beyond 80 percent full;
- Place the dust cap on the cylinder valve outlet whenever the cylinder is not in use. Only install the type of dust cap on the cylinder valve that is provided with the cylinder valve. Other type of caps or plugs may result in leakage of propane.
- Certain materials or items when stored under the heater, will be subjected to radiant heat and could be seriously damaged.

OPERATION INSTRUCTIONS

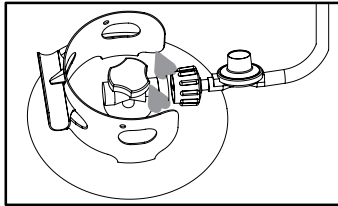
Leak Check

⚠ WARNING

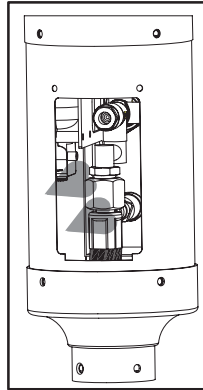
- Perform all leak tests outdoors.
- Extinguish all open flames.
- NEVER leak test when smoking.
- Do not use the heater until all connections have been leak test and do not leak.



Hose / Regulator
connection



Regulator / Cylinder
connection



hose / gas control
valve connection

1. Make 2-3 oz. of leak check solution (one part liquid dishwashing detergent and three parts water).
2. Put leak solution in a spray bottle.
3. Make sure control valve and cylinder valve are OFF.
4. Apply several drops of solution where hose attaches to regulator.
5. Apply several drops of solution where regulator connects to cylinder.
6. Apply several drops of solution where hose connects to gas control valve.
7. Turn cylinder valve ON.

If bubbles appear at any connection, there is a leak.

1. Turn cylinder valve OFF.
2. If leak is at hose/regulator connection, the regulator and hose assembly (RR) should be returned to the place of purchase.
3. If leak is at regulator/cylinder valve connection: disconnect, reconnect, and perform another leakcheck. If you continue to see bubbles after several attempts, cylinder valve is defective and should be returned to cylinder's place of purchase.
4. If leak is at hose/gas control valve connection: tighten connection and perform another leak test. If bubbles continue appearing, the regulator and hose assembly (RR) and head assembly (C) should be returned to the place of purchase.

If NO bubbles appear at any connection, the connections are secure.

NOTE: Whenever gas connections are loosened or removed, you must perform a complete leak test.

⚠ DANGER

- CARBON MONOXIDE HAZARD!
- For outdoor use only. Never use inside building, garage, or other unventilated or enclosed areas. This heater consumes air (oxygen). Do not use in unventilated or enclosed areas to avoid endangering your life.

CARE AND MAINTENANCE

- Use a soft cloth to wipe patio heater table.
- Store in a cool, clean, dry place.
- If the table is attached to the unit, use the assistance of a second person to hold up the cylinder housing while the propane tank is accessed.

1-YEAR LIMITED WARRANTY

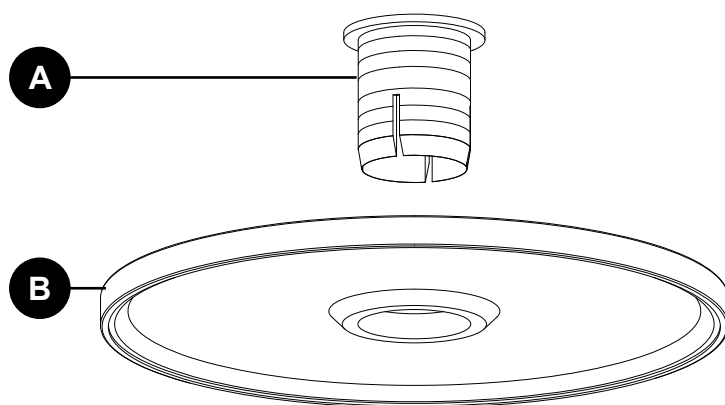
If within one year from the date of original purchase, this item fails due to a defect in material or workmanship, we will replace or repair at our option, free of charge. To order parts or to obtain warranty service, call 1-877-447-4768, Monday - Friday, 8:30 a.m. - 4:30 p.m. CST. This warranty does not cover defects resulting from improper or abnormal use, misuse, accident, or alteration. Failure to follow all instructions in the owner's manual will also void this warranty. The manufacturer will not be liable for incidental or consequential damages, or common erosion of outdoor products. Some states do not allow the exclusion or limitation of incidental or consequential damages, so the above limitation may not apply to you. This warranty gives you specific legal rights, and you may also have other rights which vary from state to state.

REPLACEMENT PARTS LIST

For replacement parts, call our customer service department at 1-877-447-4768, 8:30 a.m.-4:30 p.m., CST, Monday - Friday.

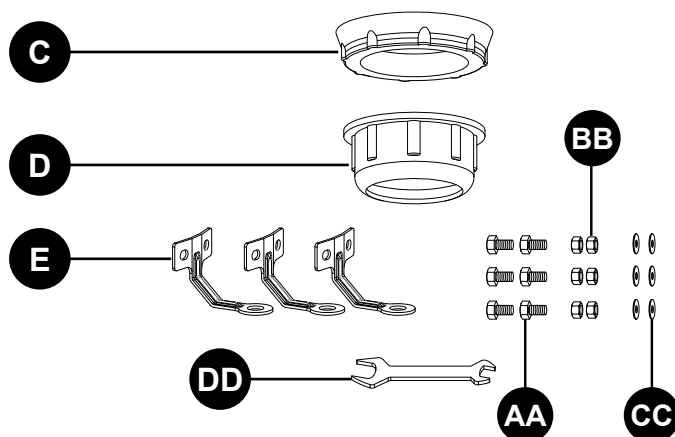
MODEL #DGPH901ATBR

PART	DESCRIPTION	PART #
A	Plastic Connector	35-01-069
B	Bronze Table	35-01-070
C	Fastener	35-09-004
D	Plastic Nut	35-10-005
E	Nail Fixing Bracket	30-09-141
AA	M6 x 10mm Bolts	30-09-137
BB	M6 Nut	30-09-138
CC	Washer Ø6	30-09-139
DD	Wrench	30-09-140



MODEL #DGPH902ATSS

PART	DESCRIPTION	PART #
A	Plastic Connector	35-01-069
B	Bronze Table	35-01-072
C	Fastener	35-09-004
D	Plastic Nut	35-10-005
E	Nail Fixing Bracket	30-09-142
AA	M6 x 10mm Bolts	30-09-137
BB	M6 Nut	30-09-138
CC	Washer Ø6	30-09-139
DD	Wrench	30-09-140



GHP Group Inc.
6440 W. Howard St.
Niles, IL 60714-3302
877-447-4768

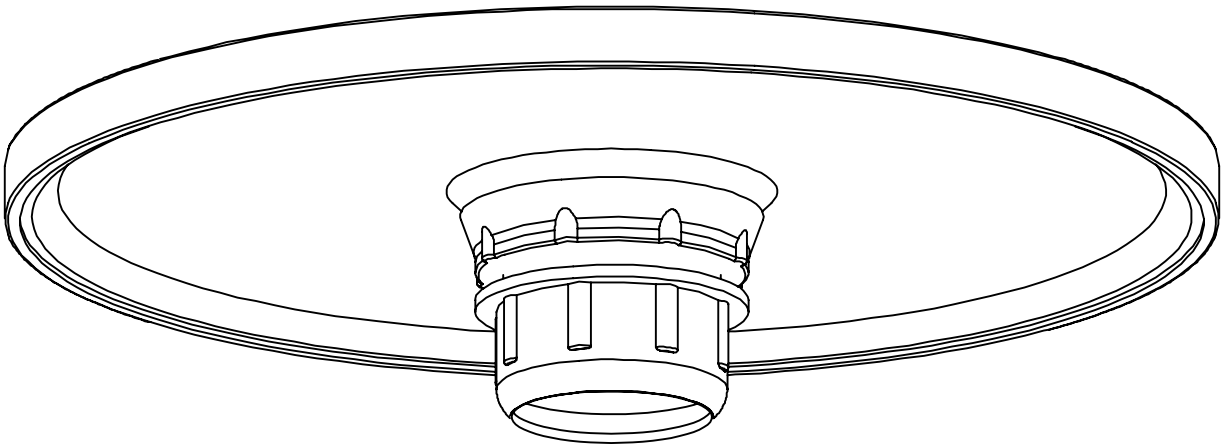


MESA AUXILIAR DEL CALEFACTOR PARA PATIO

MODELO #DGPH901ATBR / #DGPH902ATSS

English p.1

Français p.23



ADJUNTE SU RECIBO AQUÍ

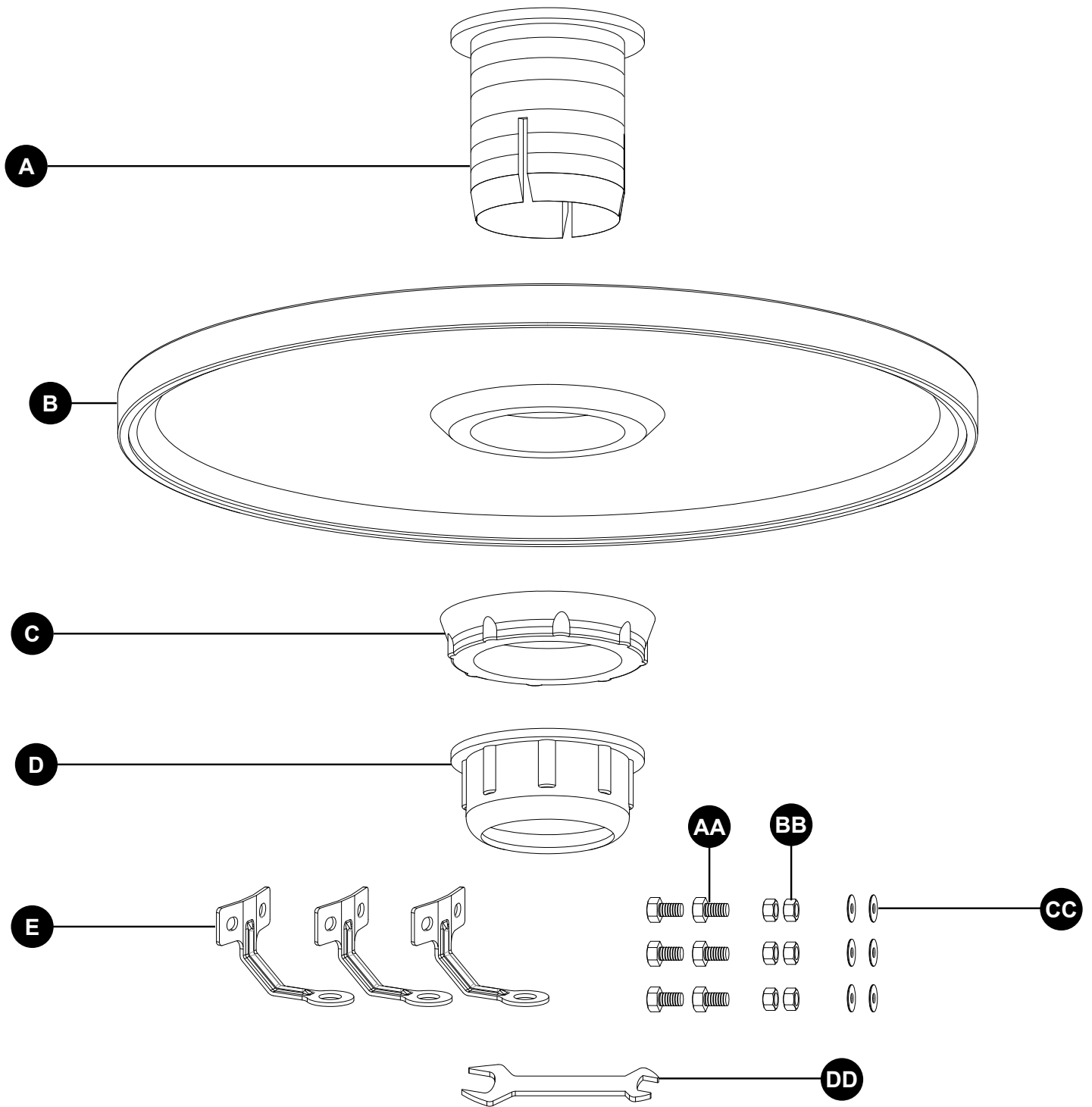
Número de serie _____ Fecha de compra _____



¿Preguntas, problemas, piezas faltantes?

Antes de volver a la tienda, llame a nuestro departamento de servicio al cliente al 1-877-447 4768, de lunes a viernes de 8:30 a.m. a 4:30 p.m., hora central estándar o envíenos un correo electrónico a customerservice@ghpgroupinc.com

CONTENIDO DEL PAQUETE



PIEZA	DESCRIPCIÓN	CANTIDAD
A	Conector plástico	1
B	Mesa de bronce	1
C	Sujetador	1
D	Tuerca plástica	1
E	Soporte de sujeción para clavos	3

PIEZA	DESCRIPCIÓN	CANTIDAD
AA	Pernos M6 x 10mm	6
BB	M6 Tuerca	6
CC	Arandela Ø6	6
DD	Llave Inglesa	1

INFORMACIÓN DE SEGURIDAD

Lea y comprenda completamente este manual antes de intentar ensamblar, usar o instalar el producto.

ADVERTENCIA

Este producto puede exponerlo a sustancias químicas como el benceno que, según el estado de California, puede provocar cáncer y daños del desarrollo.

Para obtener más información, visite www.p65warnings.ca.gov

ADVERTENCIA

- No permita que los niños jueguen con la mesa auxiliar de calefactor para patio.
- NO coloque más de 20 lb sobre la mesa del calefactor para patio.

PREPARACIÓN

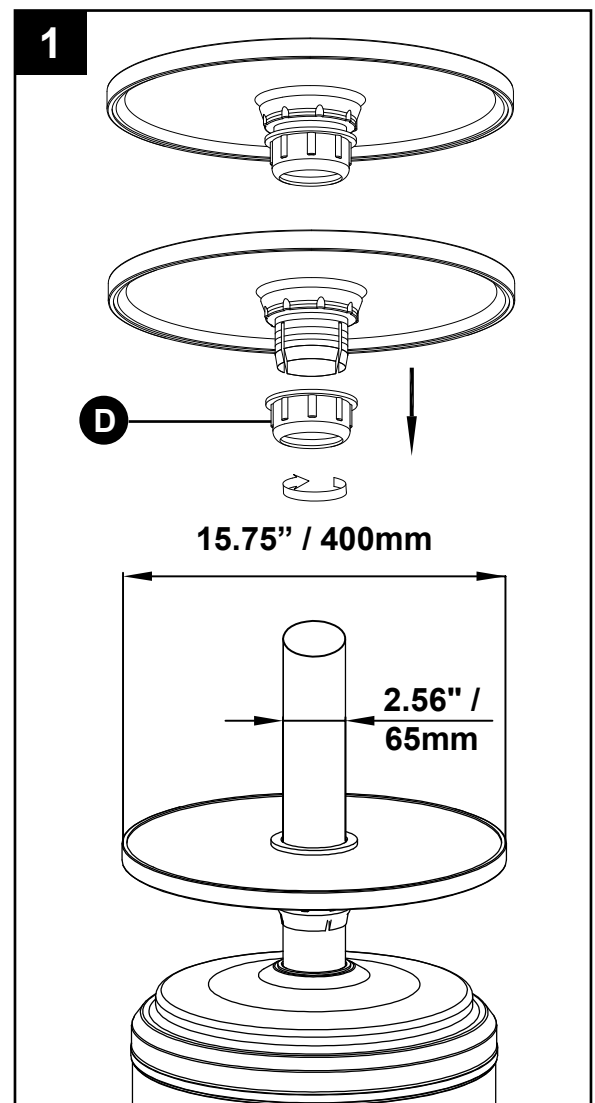
Antes de comenzar a ensamblar el producto, asegúrese de tener todas las piezas. Compare las piezas con la lista del contenido del paquete y la lista de aditamentos. No intente ensamblar el producto si falta alguna pieza o si estas están dañadas.

Tiempo estimado de ensamblaje: 15 minutos.

INSTRUCCIONES DE ENSAMBLAJE

1. Saque del embalaje el conjunto de la mesa. Gire la tuerca plástica (D) hacia la izquierda y quítela del conjunto de la mesa, como se muestra.

Nota: La mesa está diseñada para adaptarse a los calefactores para patio de las series DGPH100/200 y cualquier otro calefactor para patio con un diámetro de mástil de 2,56" o 65 mm.



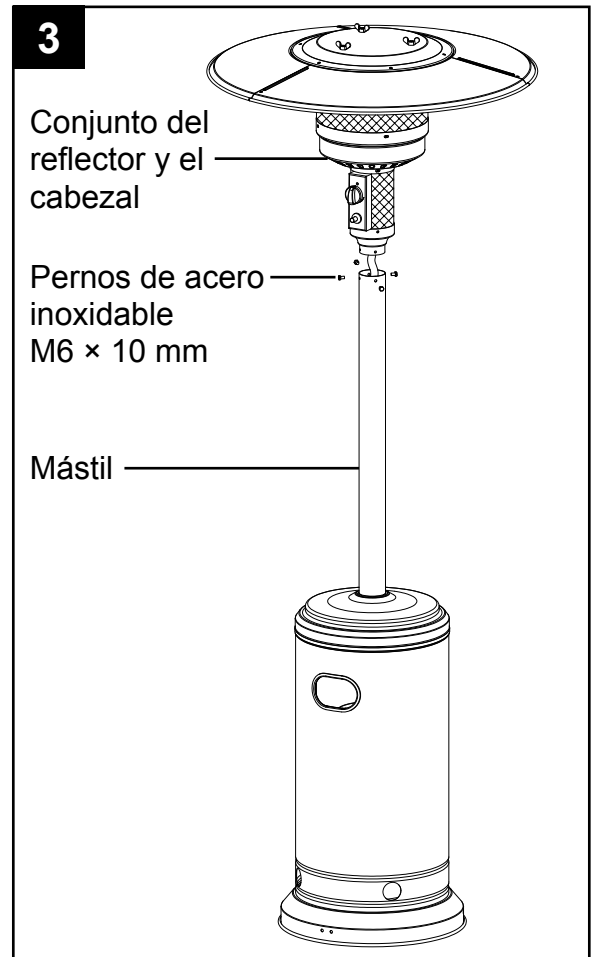
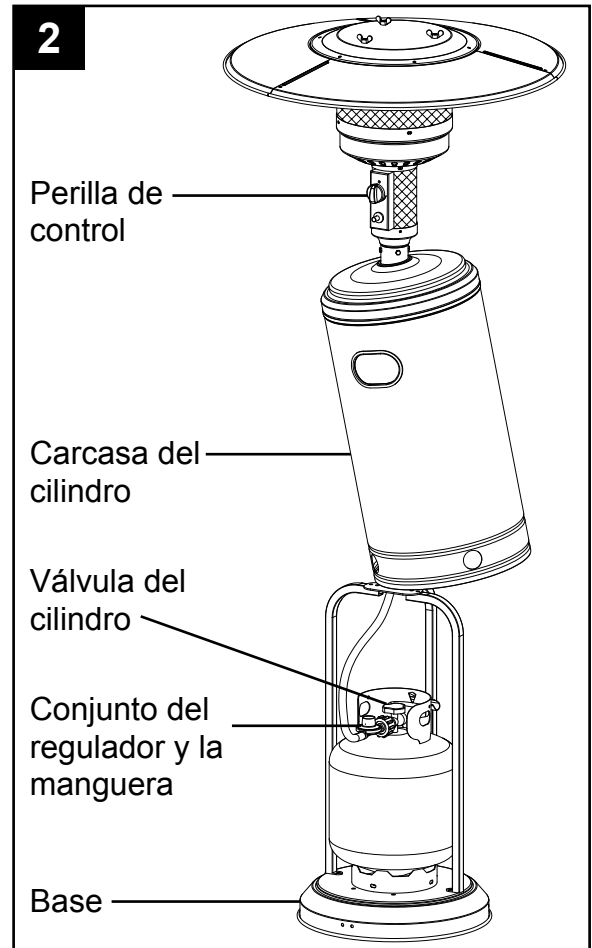
INSTRUCCIONES DE ENSAMBLAJE

Nota: Si esta es una unidad nueva, consulte el manual de instrucciones provisto con el calefactor para patio antes de empezar a ensamblar el conjunto.

Si va a colocar esta mesa en una unidad previamente ensamblada:

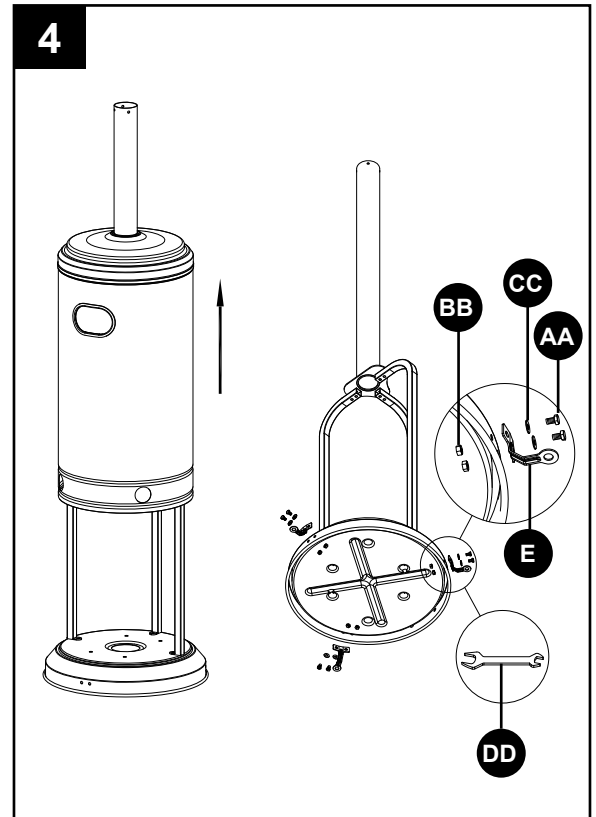
2. a. Asegúrese de que la perilla de control esté en la posición de APAGADO y que el calefactor para patio se haya enfriado.
- b. Levante la carcasa del cilindro.
- c. Cierre la válvula del cilindro girándola hacia la derecha. Desensamble el regulador y la válvula del cilindro.
- d. Retire el cilindro de gas propano de la base.

3. Desatornille los cuatro pernos M6 x 10 mm de acero inoxidable que conectan el mástil y el conjunto del reflector / cabezal y déjelos a un lado, se utilizarán nuevamente. Retire del mástil el conjunto completo del reflector y el cabezal. Procure que el regulador no se enganche al mástil al quitarlo. Coloque el conjunto del reflector y el cabezal a un lado.



INSTRUCCIONES DE ENSAMBLAJE

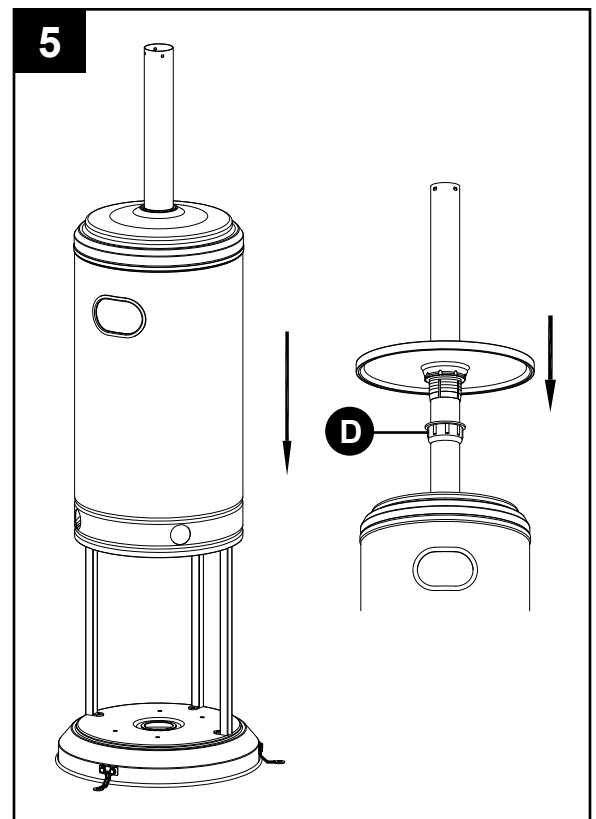
4. Retire la carcasa del cilindro y déjela a un lado. Coloque el conjunto de la base en el piso. Fije los tres soportes de sujeción para clavos (E) a la base con seis pernos M6 x 10 mm (AA) y seis arandelas Ø6 (CC) como se muestra. Fije con seis tuercas M6 (BB). Ajuste con la llave (DD).



Nota: Si esta es la primera vez que usted ensambla la unidad con la mesa, empiece el ensamble de la mesa aquí.

Si usted desensambló una unidad previamente adquirida, continúe añadiendo la mesa.

5. Deslice la tuerca plástica (D) y el conjunto de la mesa por el mástil, como se muestra. No ajuste la tuerca plástica (D) todavía.

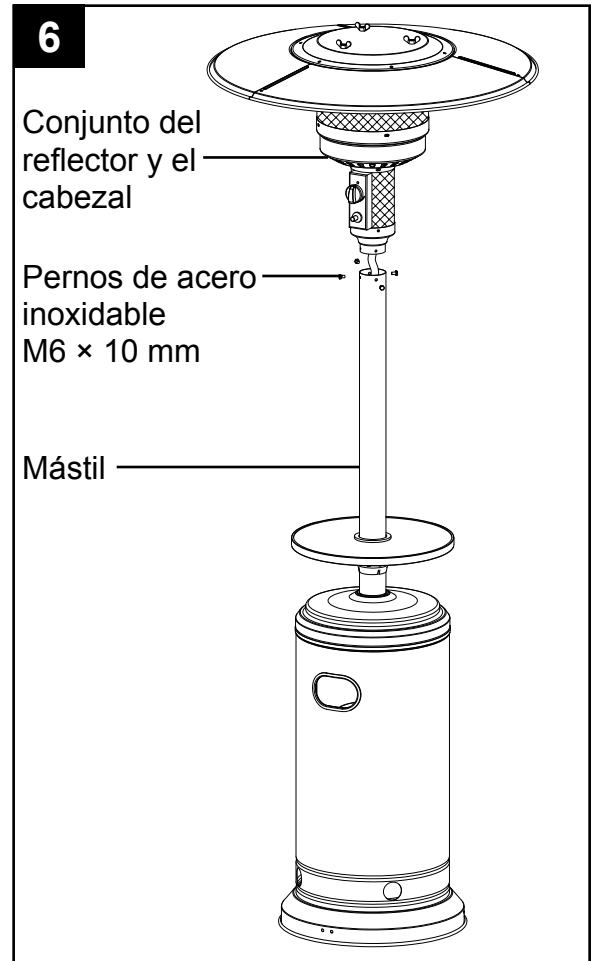


INSTRUCCIONES DE ENSAMBLAJE

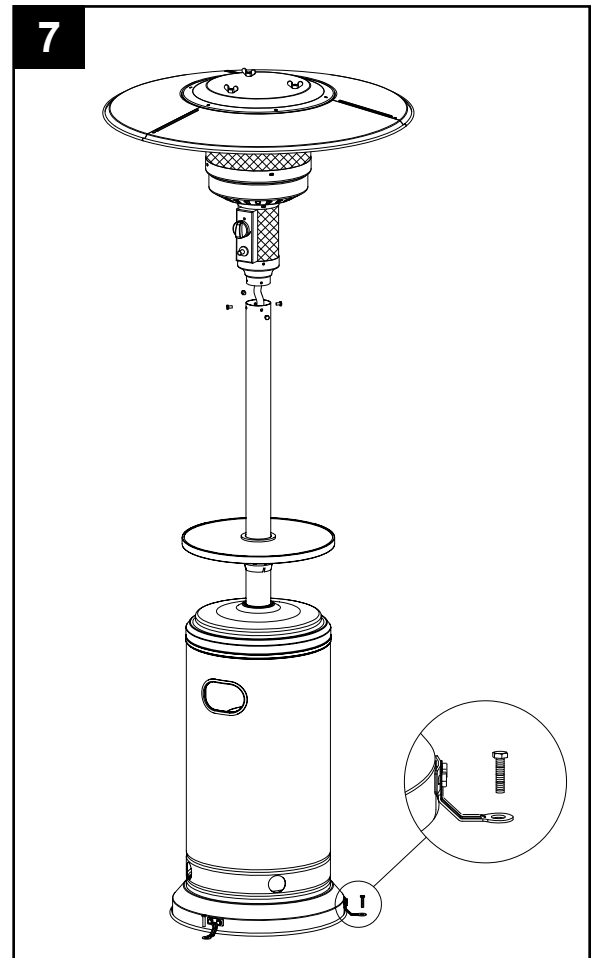
Reensamble la unidad si acaba de desensamblarla:

Nota: Si esta es una unidad nueva, consulte el manual de instrucciones provisto con el calefactor para patio antes de terminar de ensamblar el conjunto.

6. Inserte el conjunto del reflector y el cabezal en el mástil y ensámblelos usando los cuatro pernos M6 x 10 mm de acero inoxidable que retiró anteriormente.

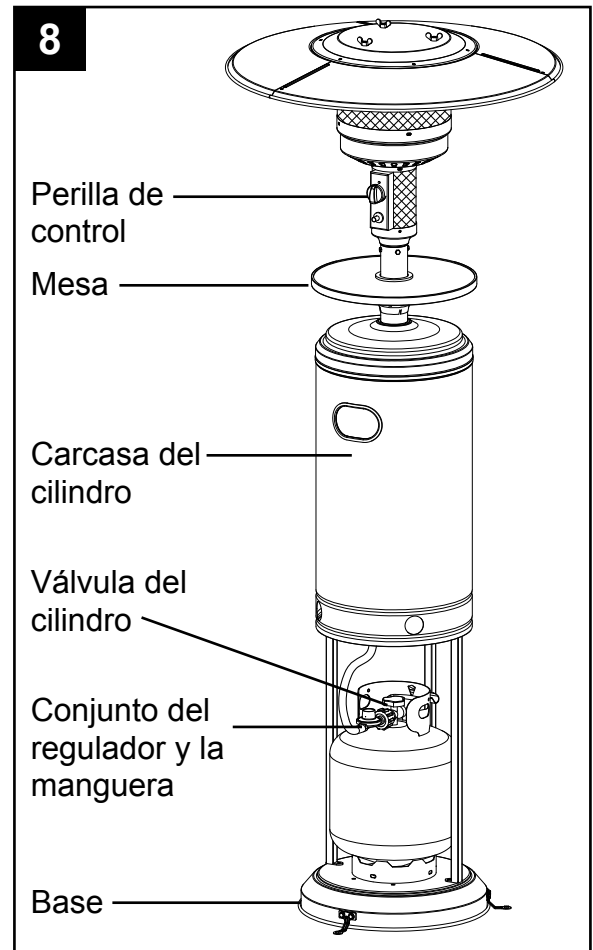


7. Para fijar la unidad, use 3 clavos M8 x 100 (no incluidos) para clavar la unidad al suelo.



INSTRUCCIONES DE ENSAMBLAJE

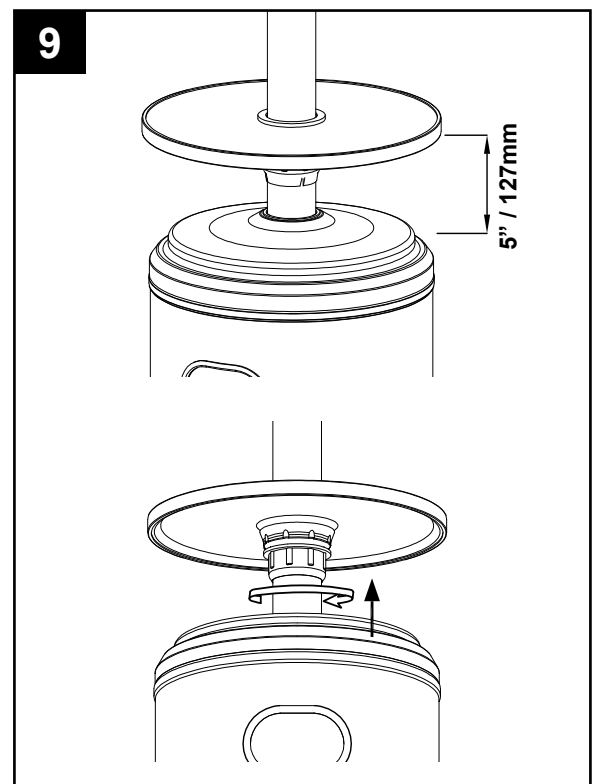
8. a. Asegúrese de que la perilla de control esté en la posición de APAGADO.
- b. Con la ayuda de otra persona, deslice la mesa y la tuerca hasta la parte superior del mástil y ajuste ligeramente. Luego eleve la carcasa del cilindro para exponer la base.
- c. Mientras una persona mantiene la carcasa del cilindro en posición elevada, la otra persona debe colocar el cilindro de gas propano en la base.
- d. Conecte el regulador a la válvula del cilindro y encienda la válvula del cilindro.
- e. Verifique si hay alguna fuga de gas en la válvula del cilindro y el regulador.
- f. Asegúrese de que no hay ninguna fuga de gas de acuerdo a las instrucciones de "Verificación de fugas" que aparecen en la página 21. Luego, puede volver a colocar la carcasa del cilindro en su lugar.



9. Coloque la tabla a una distancia mínima de 5" o 127 mm por encima de la carcasa del cilindro. Atornille la tuerca plástica en la mesa girándola hacia la derecha y ajústela con la mano.

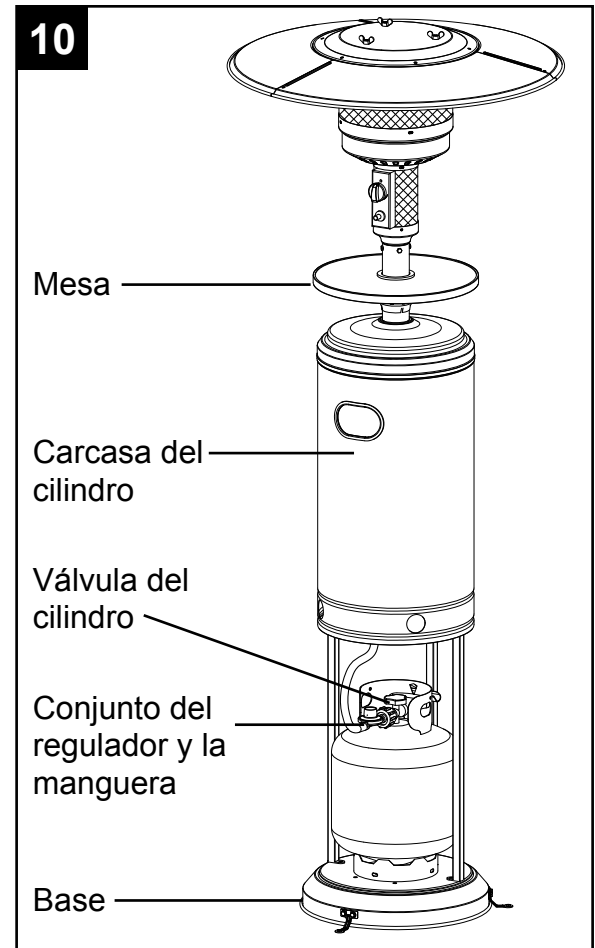
Nota: La capacidad de carga máxima de la mesa es de 20 lb/9 kg

Precaución: No utilice herramientas para ajustar la tuerca.



INSTRUCCIONES DE ENSAMBLAJE

10. Para cambiar o acceder al tanque de gas propano, deberá desatornillar completamente la tuerca y mover la mesa y la tuerca hasta la parte superior del mástil. Ajuste ligeramente. Use la ayuda de otra persona para sostener la carcasa del cilindro mientras usted manipula el tanque de gas propano.



Para conocer las instrucciones de funcionamiento del calefactor para patio, consulte el manual de instrucciones que venía con la unidad.

CONEXIÓN DE CILINDRO DE GAS

Utilice sólo cilindros de 20 libras (Aproximadamente 18 ¼ pulgadas de alto y 12 ¼ pulgadas de diámetro) equipadas con un dispositivo de conexión de cilindro compatible con la conexión para artefactos para cocinar al aire libre. El cilindro debe incluir un collarín para proteger la válvula del cilindro. El cilindro de gas no se debe caer o manejar más o menos!

Minima Presión de suministro de gas: 5.0 psi / 35 kPa Máxima
Presión de suministro de gas: la presión de la botella. Presión
mínima de entrada de alimentación: 11.0 in.W.C 2.74 kPa -LPG.

Almacenamiento de un aparato interior sólo si el cilindro se desconecta y se retira del artefacto. Un cilindro debe ser almacenado al aire libre en un área bien ventilada fuera del alcance de los niños. Un cilindro desconectado debe tener tapas guardapolvo bien apretados y no debe ser almacenado en un edificio, garaje o cualquier otra área cerrada. Un mínimo de 17.000 BTU / H / 4.98KW por hora es la clasificación de entrada requerida para un calentador con una calificación inferior a la máxima. El conjunto de regulador de presión y manguera suministrado con el aparato debe ser utilizado. La instalación debe cumplir con los códigos locales, o en ausencia de códigos locales, con el código de combustible nacional de gas, ANS Z223.1 / NFPA54, el gas natural y el Código de instalación de gas propano, CSA B149.1, o el almacenamiento de propano y código de manejo, B149. 2.

INSTRUCCIONES DE ENSAMBLAJE

Un tanque de propano dentado, oxidado o dañado puede ser PELIGROSO y debe ser revisado por su suministrador de gas. Nunca utilice un tanque de propano con una válvula de conexión dañada.

El tanque de propano debe estar construido y marcado de acuerdo a las especificaciones establecidas para los tanques de gas propano por el Departamento de Transporte de los Estados Unidos (U.S. Department of Transportation (DOT)) o CAN/CSA-B339 del estándar para tanques, esferas y tubos para el transporte de mercancía y comisión PELIGROSA.

El tanque debe tener un dispositivo de prevención de llenado.

El tanque debe tener un dispositivo de conexión compatible con la conexión del calentador.

El tanque debe incluir un collarín para proteger la válvula del tanque.

Nunca conecte un tanque de propano no regulado con este calentador.

Antes de la conexión, asegúrese de que no hay restos atrapados en la salida del cilindro de gas, entrada de la válvula reguladora o en la salida de los puertos del quemador y los quemadores.

Conecte la válvula reguladora y la mano a apretar firmemente. Mantenga la válvula del cilindro del cilindro de propano cerrada y desconecte el cilindro de propano de la válvula reguladora cuando el aparato no está en uso.

NO obstruya la circulación del aire de combustión ni la ventilación de aire del fogón.

El tanque de propano debe colocarse de tal manera que sea un dispositivo de extracción de vapor y debe estar equipado con un dispositivo de protección de sobrellenado.

NOTA: el tanque debe estar completamente en posición vertical para que el tanque libere únicamente vapor.



Correcto





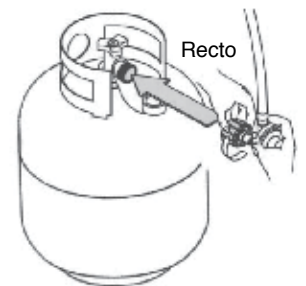
Incorrecto





Incorrecto

CONEXIÓN DEL TANQUE DE GAS PROPANO

1. La perilla del tanque de gas propano debe estar cerrada. Asegúrese de que la perilla está completamente girada hacia la derecha .
2. Verifique que la perilla de control en la unidad de control esté apagada.
3. Remueva el tapón protector de la válvula del tanque y la tuerca de acoplamiento.
4. Sujete el regulador en una mano e inserte la boquilla roscada en la salida de la válvula. Asegúrese de que la boquilla esté centrada en la salida de la válvula. La tuerca de acoplamiento se conecta a las roscas grandes exteriores en la salida de la válvula. Tenga cuidado de no dañar ni colocar descentradas las roscas de la conexión.
5. Apriete la tuerca de acoplamiento con la mano girando hacia la derecha  hasta que se detenga completamente. Apriete firmemente únicamente con la mano. No utilice herramientas.



PARA DESCONECTAR

Cierre completamente la válvula del tanque girando hacia la derecha . Gire la tuerca de acoplamiento girando hacia la izquierda  hasta que se separe el ensamblaje del regulador.

PRECAUCIÓN:

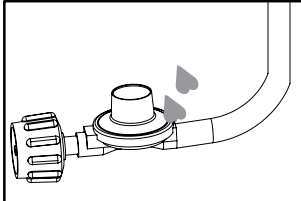
- No almacene un tanque de gas propano de repuesto debajo o cerca de este electrodoméstico.
- Nunca llene el tanque por encima del 80% de su capacidad.
- Coloque un tapón anti polvo sobre la salida de la válvula del tanque siempre que no esté en uso. En la salida de la válvula del tanque solamente instale el tipo de tapón anti polvo que se suministra con la válvula del tanque. Otros tipos de tapas o tapones pueden causar fugas de propano.
- Ciertos materiales o artículos cuando se almacena en el calentador, serán sometidos a calor radiante y podrían dañarse seriamente.

INSTRUCCIONES DE USO

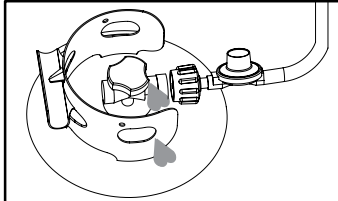
VERIFICACIÓN DE FUGAS

⚠ ADVERTENCIA

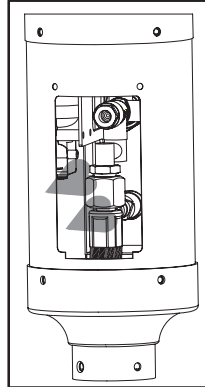
- Realice todas las pruebas de fugas al aire libre.
- Apague todos los fuegos abiertos.
- NUNCA realice una prueba de fugas mientras fuma.
- No utilice el fogón antes de haber realizado una verificación de fugas en todas las conexiones que no tengan fugas.



Conexión de la manguera / regulador



Entrar regulador / botella



Manguera / Control grifo de conexión

1. Prepare 2-3 onzas de solución para la verificación de fugas (una parte de detergente lavaplatos y tres partes de agua).
2. Coloque la solución para fugas en un frasco de aerosol.
3. Asegúrese de que la válvula del tanque y la válvula de control estén "Apagadas".
4. Aplique varias gotas de solución donde la manguera se une al regulador.
5. Aplique varias gotas de solución donde el regulador se conecta con el tanque.
6. Aplique unas gotas de la solución en la que el tubo se conecta a la válvula de control de gas.
7. ENCENDER la válvula del tanque.

Si aparecen burbujas en alguna de las conexiones entonces hay una fuga.

1. APAGUE la válvula del tanque.
2. Si la fuga se encuentra en la conexión de la manguera con el regulador (RR), debe devolver la manguera a la tienda donde la compró.
3. Si la fuga está en la conexión del regulador con el tanque: desconecte, vuelva a conectar y realice otra prueba de fugas. Si sigue viendo burbujas después de varios intentos, la válvula del tanque está defectuosa y debe devolverla a la tienda donde compró el tanque.
4. Si la fuga se encuentra en la conexión de la manguera con la válvula de control del gas: ajuste la conexión y realice otra prueba de fugas. Si siguen apareciendo burbujas, debe devolver el regulador y el conjunto de la manguera (RR) y el conjunto del cabezal (C) a la tienda donde los compró.

Si NO aparecen burbujas en ninguna de las conexiones, las conexiones son seguras.

Nota: Siempre que se aflojen o remuevan las conexiones, usted debe realizar una prueba de fugas completa.

⚠ PELIGRO

- ¡PELIGRO DE MONÓXIDO DE CARBONO!
- Sólo para uso en exteriores. Nunca use adentro de edificios, garajes o otras áreas sin ventilación ni cerradas. Este calentador consume aire (oxígeno). No lo use en áreas sin ventilación ni cerradas para evitar poner en PELIGRO su vida.

CUIDADO Y MANTENIMIENTO

- Coloque la mesa auxiliar de calefactor para patio con un paño suave.
- Para guardarla, pliéguela, colóquela en la caja y ciérrela bien.
- Si la mesa está fija a la unidad, use la ayuda de otra persona para sostener la carcasa del cilindro mientras accede al tanque de gas propano.

GARANTÍA LIMITADA DE 1 AÑO

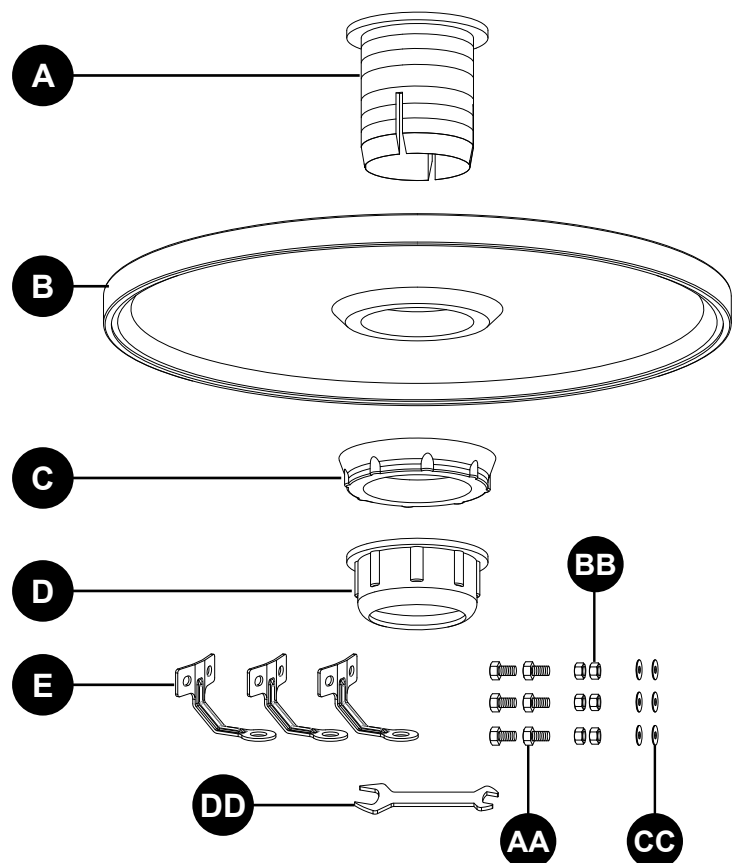
Si durante el transcurso de un año a partir de la fecha de compra original, este artículo no funciona correctamente debido a un defecto en el material o en la mano de obra, lo reemplazaremos o repararemos sin cargo, según nuestro criterio. Para solicitar piezas u obtener el servicio de la garantía, llame al 1-877-447-4768, de lunes a viernes de 8:30 a. m. a 4:30 p. m. (hora central estándar). Esta garantía no cubre defectos ocasionados por uso incorrecto o anormal, uso indebido, accidentes o alteraciones. Si no respeta todas las instrucciones del manual del propietario, esta garantía quedará anulada. El fabricante no será responsable de daños incidentales o indirectos ni del deterioro normal de los productos para exteriores. Algunos estados no permiten la exclusión o limitación de daños incidentales o indirectos. Por lo tanto, es posible que la limitación mencionada no se aplique en su caso. Esta garantía otorga derechos legales específicos, y podría haber otros derechos aplicables según el estado.

LISTA DE PIEZAS DE REPUESTO

Para obtener piezas de repuesto, llame a nuestro Departamento de Servicio al Cliente al 1-877-447-4768, de lunes a viernes de 8:30 a.m. a 4:30 p.m., hora central estándar.

MODELO #DGP901ATBR

PIEZA	DESCRIPCIÓN	PIEZA #
A	Conector plástico	35-01-069
B	Mesa de bronce	35-01-070
C	Sujetador	35-09-004
D	Tuerca plástica	35-10-005
E	Soporte de sujeción para clavos	30-09-141
AA	Pernos M6 x 10mm	30-09-137
BB	M6 Tuerca	30-09-138
CC	Arandela Ø6	30-09-139
DD	Llave Inglesa	30-09-140



MODELO #DGP902ATSS

PIEZA	DESCRIPCIÓN	PIEZA #
A	Conector plástico	35-01-069
B	Mesa de bronce	35-01-072
C	Sujetador	35-09-004
D	Tuerca plástica	35-10-005
E	Soporte de sujeción para clavos	30-09-142
AA	Pernos M6 x 10mm	30-09-137
BB	M6 Tuerca	30-09-138
CC	Arandela Ø6	30-09-139
DD	Llave Inglesa	30-09-140



GHP Group Inc.
6440 W. Howard St.
Niles, IL 60714-3302
877-447-4768

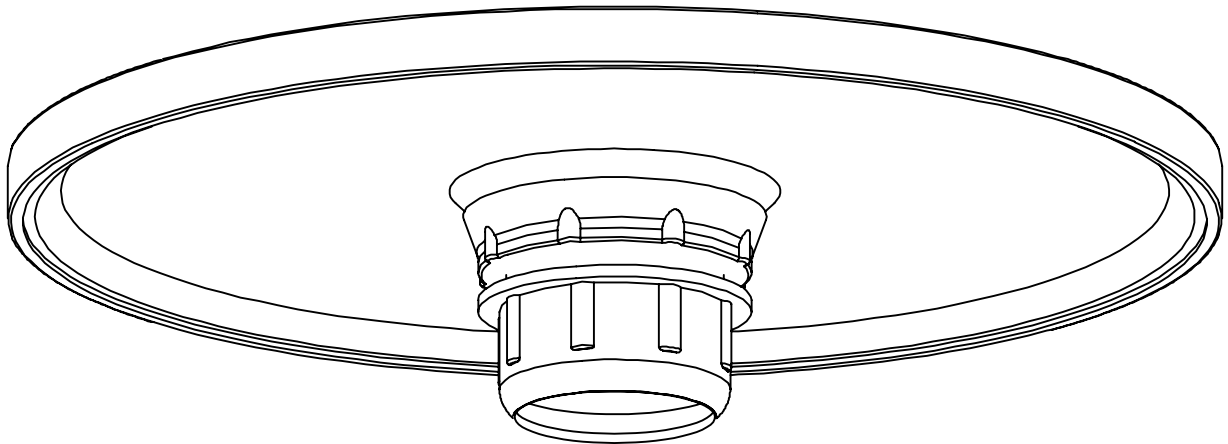
Dyna-Glò[®]

PLATEAU POUR CHAUFFE-TERRASSE

MODÈLE #DGPH901ATBR / #DGPH902ATSS

English p.1

Español p.12



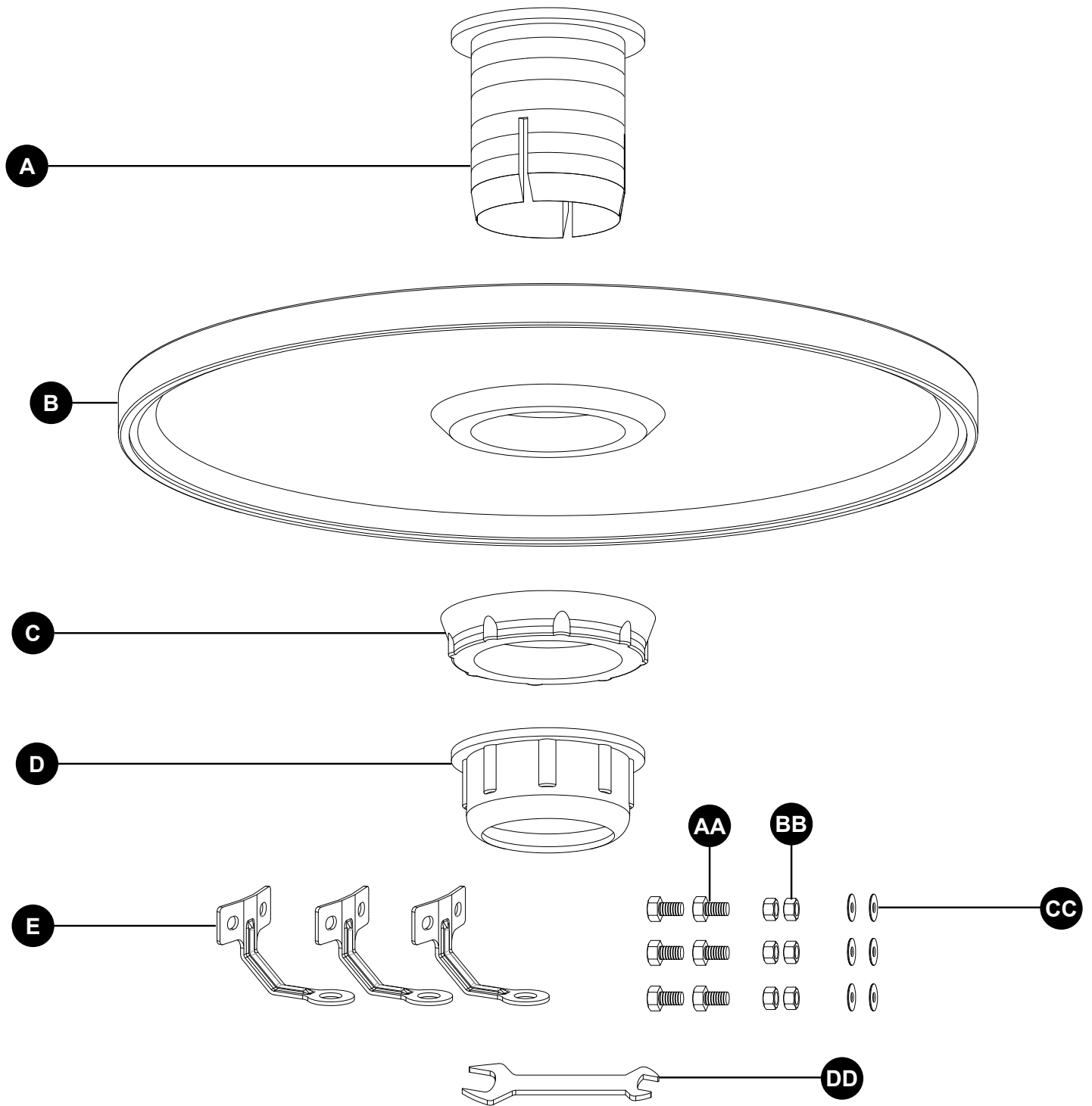
ATTACHEZ VOTRE REÇU ICI

Numéro de série _____ Date d'achat _____



Questions, problèmes, pièces manquantes? Avant de contacter votre détaillant, contactez notre centre de service à la clientèle au 1-877-4478-4768 entre 08h30 à 16h30, heure du Centre du lundi au vendredi, ou nous envoyer un courriel à customerservice@ghpgroupinc.com.

CONTENU DE L'EMBALLAGE



PIÈCE	DESCRIPTION	QUANTITÉ
A	Connecteur en plastique	1
B	Table au fini bronze / Table en acier inoxydable	1
C	Pièce de fixation	1
D	Écrou en plastique	1
E	Supports de fixation à clouer	1

PIÈCE	DESCRIPTION	QUANTITÉ
AA	Vis M6 x 10mm	6
BB	M6 Écrou	6
CC	Rondelle Ø6	6
DD	Clé	1

CONSIGNES DE SÉCURITÉ

Assurez-vous de lire et de comprendre l'intégralité du présent manuel avant de tenter d'assembler, d'installer ou d'utiliser l'article.

AVERTISSEMENT

Ce produit peut vous exposer à des substances chimiques comme le benzène, qui est reconnu par l'État de Californie comme causant le cancer et des troubles du développement.

Pour plus de renseignements, visitez le www.p65warnings.ca.gov

AVERTISSEMENT

- Ne laissez pas les enfants jouer avec le plateau pour chauffe-terrasse ou à proximité de celui-ci.
- N'appliquez PAS un poids de plus de 20 lb sur le plateau pour chauffe-terrasse.

PRÉPARATION

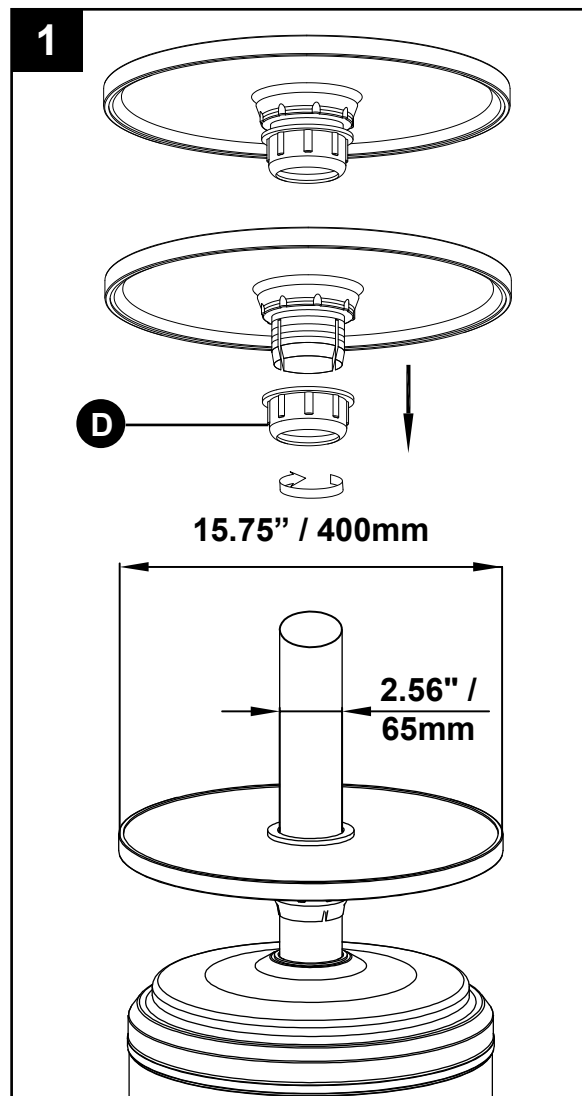
Avant de commencer l'assemblage du produit, assurez-vous d'avoir toutes les pièces. Comparez le contenu de l'emballage avec la liste des pièces et celle de la quincaillerie. S'il y a des pièces manquantes ou endommagées, ne tentez pas d'assembler le produit.

Temps d'assemblage approximatif : 15 minutes.

INSTRUCTIONS POUR L'ASSEMBLAGE

1. Retirez le plateau de son emballage. Tournez l'écrou en plastique (D) dans le sens antihoraire et retirez-le du plateau, comme illustré.

Remarque : Le plateau est conçu pour s'ajuster aux chauffe-terrasses de série DGPH 100 ou 200 et aux autres chauffe-terrasses dont le poteau a un diamètre de 65 mm (2,56 po).



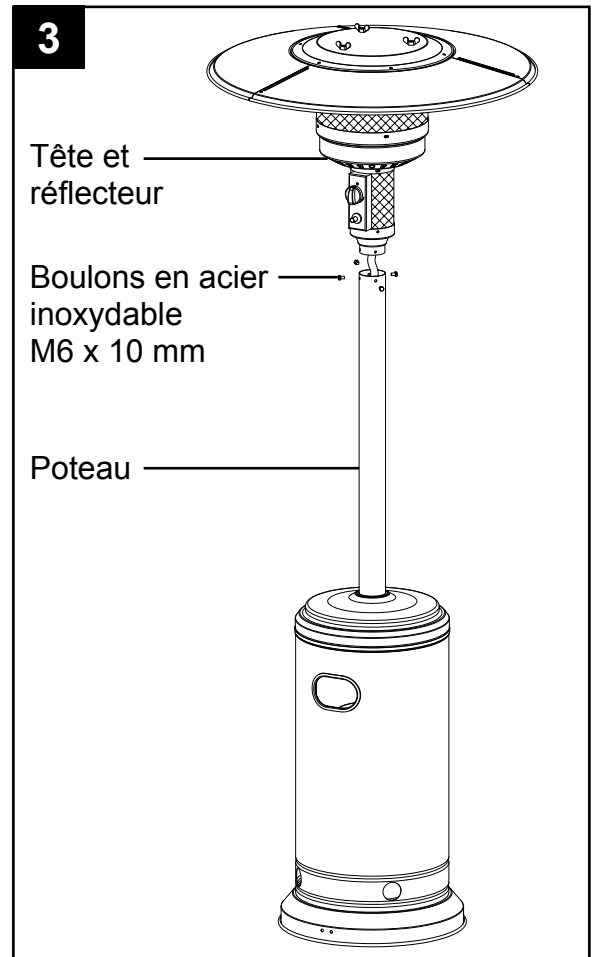
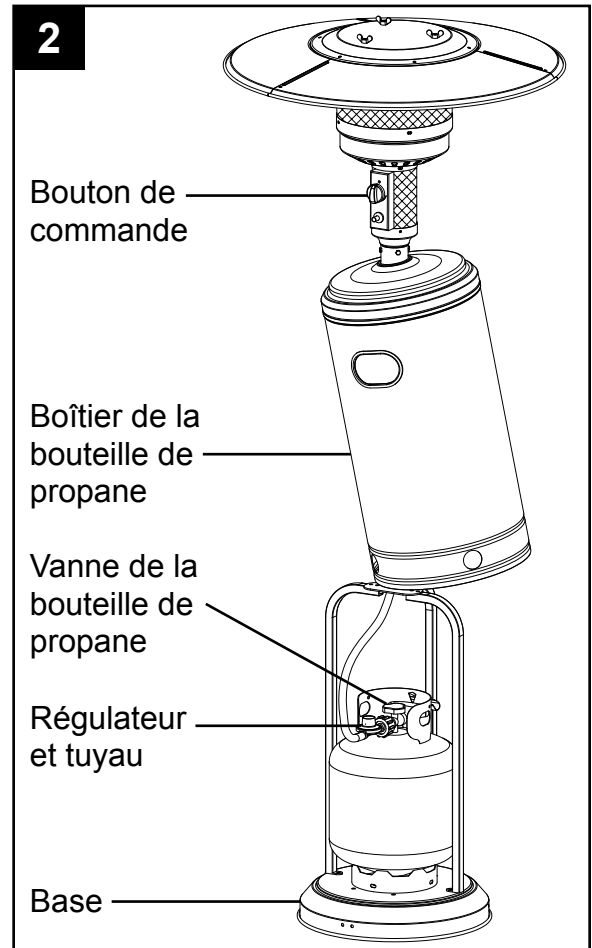
INSTRUCTIONS POUR L'ASSEMBLAGE

Remarque : Si le chauffe-terrasse est neuf, veuillez consulter le manuel d'instructions compris avec l'appareil avant de commencer l'assemblage.

Si vous fixez le plateau sur un appareil déjà assemblé, suivez ces étapes :

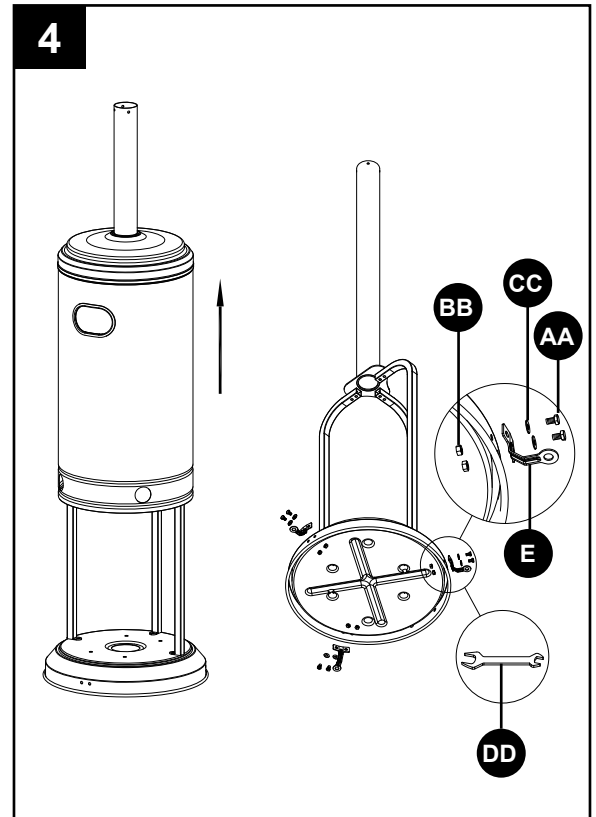
2. a. Assurez-vous que le bouton de commande est en position d'arrêt et que le chauffe-terrasse n'est plus chaud.
- b. Soulevez le boîtier de la bouteille de propane.
- c. Fermez la vanne de la bouteille de propane en la tournant dans le sens horaire, puis désassemblez le régulateur et la vanne.
- d. Retirez la bouteille de propane de la base.

3. Dévissez les quatre boulons M6 x 10 mm en acier inoxydable qui fixent la tête et le réflecteur au poteau, puis mettez les boulons de côté pour plus tard. Retirez complètement la tête et le réflecteur du poteau. Assurez-vous que le régulateur ne s'accroche pas au poteau en le retirant. Mettez la tête et le réflecteur de côté.



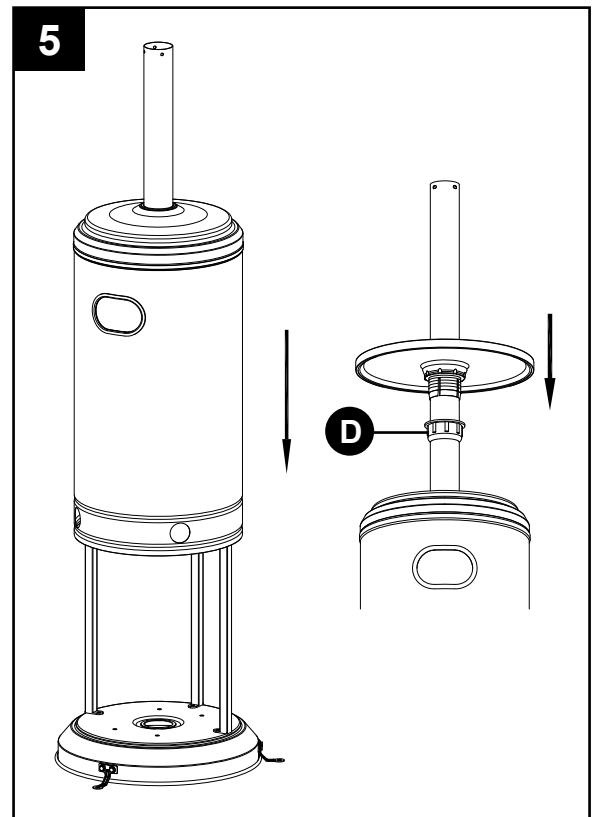
INSTRUCTIONS POUR L'ASSEMBLAGE

4. Retirez le boîtier de la bouteille de propane et mettez-le de côté. Couchez la base sur le sol. Fixez les trois supports de fixation à clouer (E) sur la base à l'aide des six boulons M6 x 10 mm (AA) et des six rondelles Ø6 (CC), comme illustré. Fixez le tout à l'aide des six écrous M6 (BB). Serrez avec la clé (DD).



Remarque : Si vous assemblez l'appareil avec le plateau pour la première fois, commencez l'assemblage du plateau à cette étape-ci.
Si vous avez désassemblé un appareil, continuez l'assemblage du plateau :

5. Faites glisser l'écrou en plastique (D) et le plateau sur le poteau, comme illustré. Ne serrez pas l'écrou en plastique (D) tout de suite.

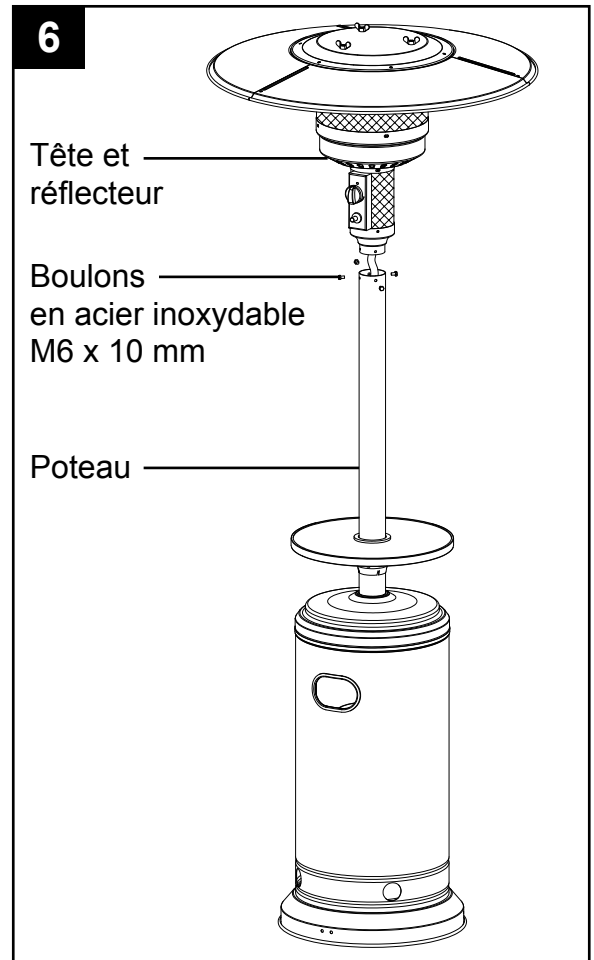


INSTRUCTIONS POUR L'ASSEMBLAGE

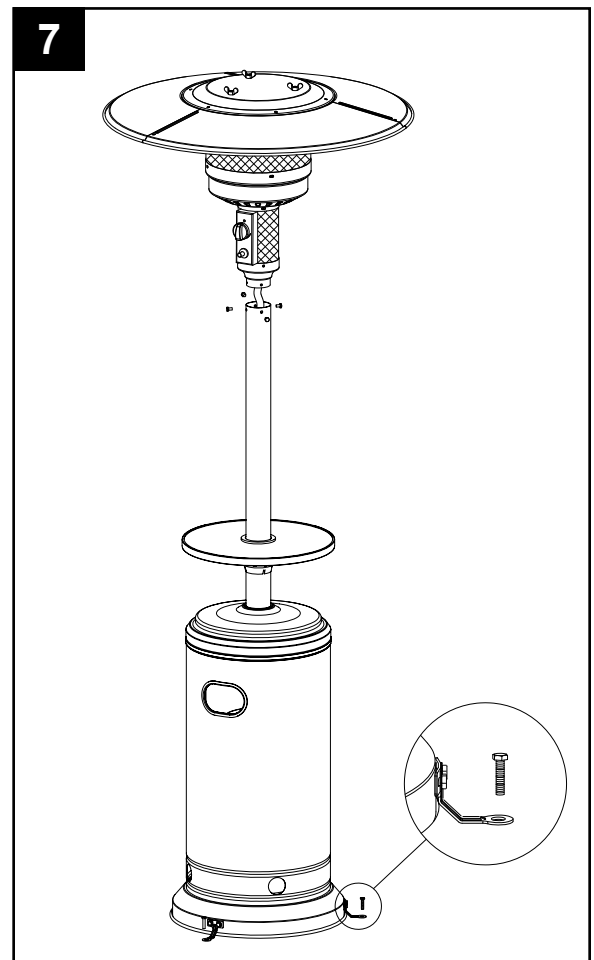
Réassemblez l'appareil si vous venez de le désassembler :

Remarque : Si le chauffe-terrasse est neuf, veuillez consulter le manuel d'instructions compris avec l'appareil pour terminer l'assemblage.

6. Insérez la tête et le réflecteur dans le poteau, puis fixez le tout avec les quatre boulons M6 x 10 mm en acier inoxydable précédemment retirés.

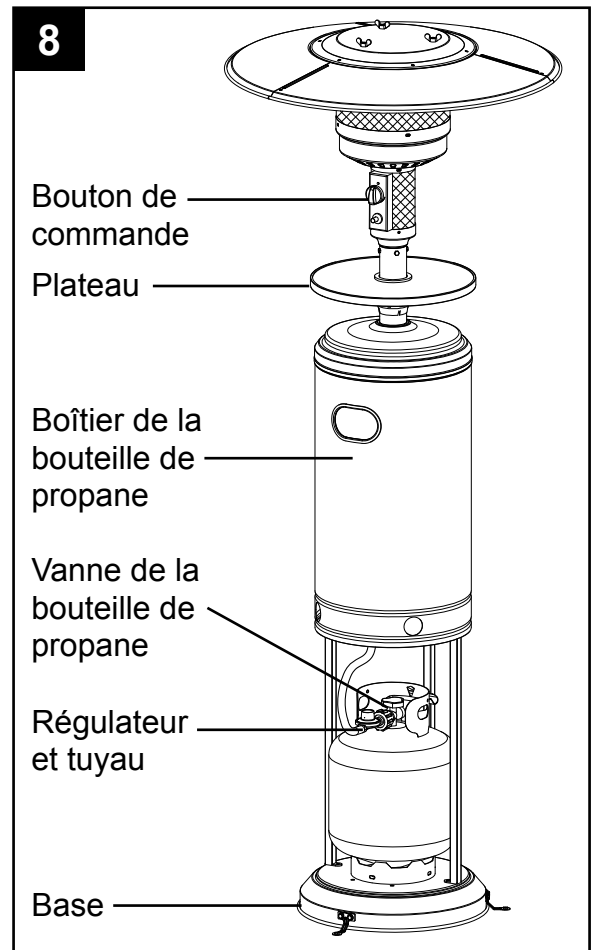


7. Pour maintenir l'appareil en place, utilisez trois clous M8 x 100 mm (non compris) pour clouer l'appareil au sol.



INSTRUCTIONS POUR L'ASSEMBLAGE

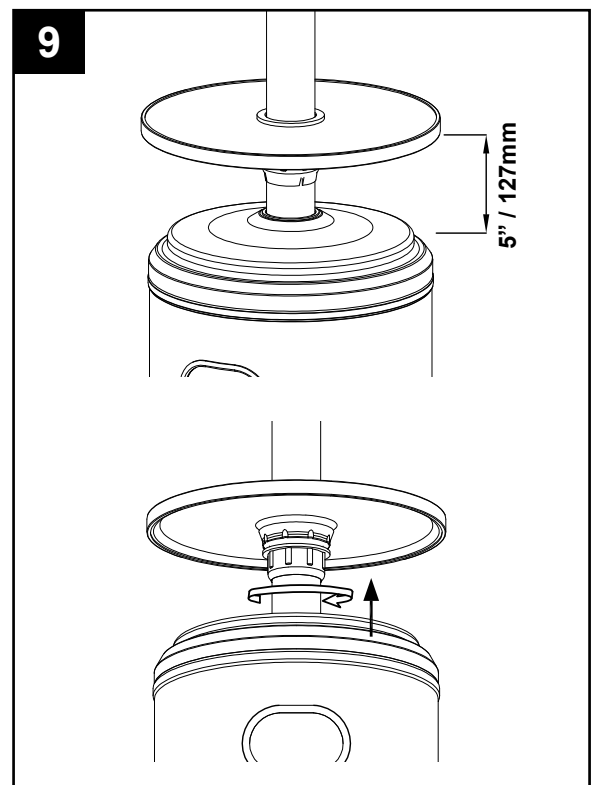
8. a. Assurez-vous que le bouton de commande est en position d'arrêt.
- b. Avec l'aide d'une autre personne, faites glisser le plateau et l'écrou vers le haut du poteau et serrez légèrement. Ensuite, relevez le boîtier de la bouteille de propane afin que la base soit visible.
- c. Pendant qu'une personne tient le boîtier en position relevée, l'autre place la bouteille de propane dans la base.
- d. Fixez le régulateur sur la vanne de la bouteille de propane, puis ouvrez la vanne.
- e. Inspectez la vanne et le régulateur pour détecter la présence de fuites de gaz.
- f. Pour détecter les potentielles fuites de gaz, suivez les directives de l'essai d'étanchéité, à la page 32. Ensuite, remettez le boîtier de la bouteille de propane en place.



9. Fixez le plateau au moins 127 mm (5 po) au-dessus du boîtier de la bouteille de propane. Vissez l'écrou en plastique sur le plateau dans le sens horaire, puis serrez à la main.

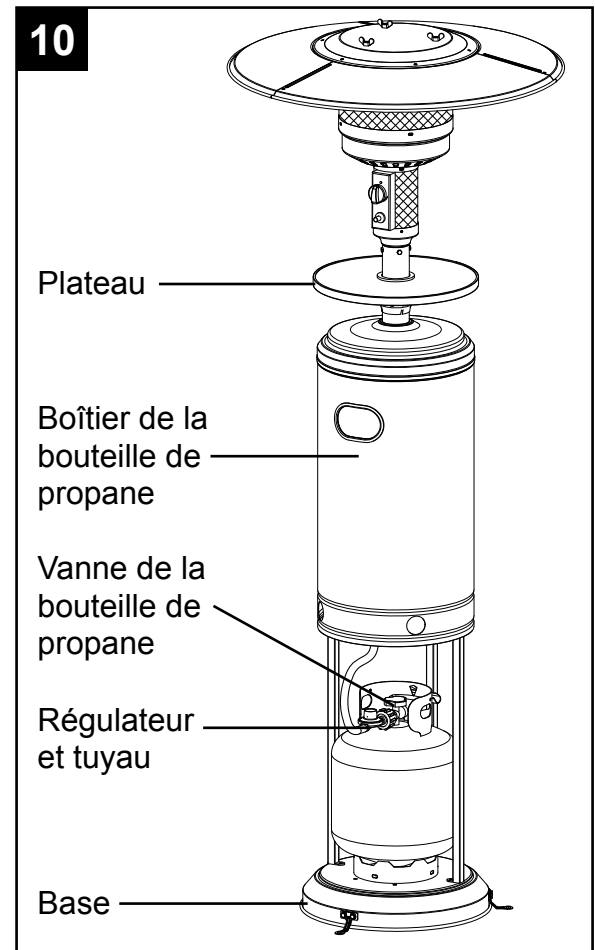
Remarque : La capacité de charge maximale du plateau est de 9 kg (20 lb).

Mise en garde : Ne serrez pas à l'aide d'un outil.



INSTRUCTIONS POUR L'ASSEMBLAGE

10. Pour changer la bouteille de propane ou y accéder, vous devrez desserrer complètement l'écrou, puis le faire glisser avec le plateau vers le haut du poteau. Serrez légèrement. Demandez à une autre personne de tenir le boîtier de la bouteille de propane relevée pendant que vous accédez à la bouteille.



Pour les instructions de fonctionnement du chauffe-terrace, veuillez vous reporter à nouveau au manuel d'instructions compris avec l'appareil.

CONNEXION BOUTEILLE DE GAZ

N'utilisez que des bouteilles de 20 lb (Environ 18 ¼ pouces de haut et 12 ¼ pouces de diamètre) équipées d'un système de connexion au réservoir qui est compatible avec le régulateur du tuyau fourni avec l'appareil. La bouteille de gaz ne doit pas être abandonnée ou manipulée à peu près!

Pression d'alimentation d'entrée minimale: 5.0 psi / 35 kPa. Pression maximale d'alimentation en gaz: la pression de la bouteille. Pression d'admission: 11.0 in.W.C. / 2,74 kPa.

Stockage d'un appareil à l'intérieur est admissible que si la bouteille est débranchée et retirée de l'appareil. Une bouteille doit être entreposée à l'extérieur dans un endroit bien ventilé hors de la portée des enfants. Un cylindre déconnectée doit avoir bouchons anti-poussière bien installés et ne doit pas être stockée dans un bâtiment, un garage ou tout autre endroit fermé. Un minimum de 17 000 BTU / H / 4.98KW par heure est la cote d'entrée requis pour un chauffe avec une cote inférieure à plein. L'ensemble de régulateur de pression et le tuyau fourni avec l'appareil doit être utilisé. L'installation doit être conforme aux codes locaux, ou en l'absence de codes locaux, avec le code de carburant nationale de gaz, ANS Z223.1 / NFPA54, le gaz naturel et le propane Code d'installation, CSA B149.1, ou le stockage de propane et le code de gestion, B149. 2.

INSTRUCTIONS DE MONTAGE

Une bouteille à propane bosselée, rouillée ou abîmée peut présenter un danger, et doit être vérifiée par son fournisseur. N'utilisez jamais une bouteille à propane qui possède une vanne de connexion défectueuse.

La bouteille de propane doit être construite et marquée conformément aux spécifications pour les bouteilles de gaz propane du Department of Transportation (DOT) des États-Unis ou la norme sur les bouteilles à gaz cylindriques et sphériques et tubes pour le transport des marchandises dangereuses et commission, CAN/CSA-B339.

La bouteille doit avoir un dispositif de prévention de débordement énuméré.

La bouteille doit avoir un dispositif de connexion compatible avec le système de connexion de l'appareil.

La bouteille doit avoir un collier pour protéger le robinet de la bouteille.

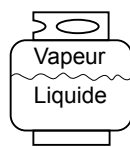
Ne jamais raccorder une bouteille de propane non réglementé à l'appareil.

Avant de raccorder la bouteille, assurez-vous qu'il n'y a pas de débris coincé dans l'entrée de la bouteille de gaz, la sortie de la vanne de régulation ou la sortie du brûleur et les orifices du brûleur.

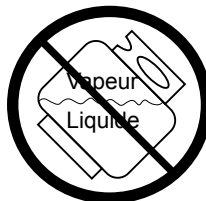
Maintenez le robinet de la bouteille de propane fermé et débranchez la bouteille de propane de la vanne de régulation quand le foyer n'est pas en cours d'utilisation.

N'OBSTRUEZ pas le courant d'air de combustion ni l'air ventilé allant au foyer.

La bouteille de propane doit être placée de façon à ce que la vapeur puisse s'échapper, et équipée d'un dispositif indiqué de prévention de débordement. Veuillez bien orienter la bouteille pour permettre à la vapeur de s'échapper.
REMARQUE: La bouteille doit être complètement debout pour permettre à la vapeur seulement de s'échapper.



Correcte





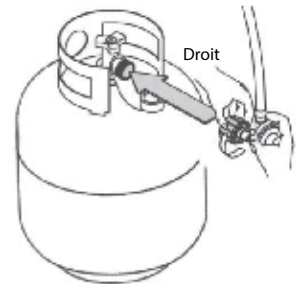
Incorrecte





Incorrecte

BRANCHER LE RÉSERVOIR GPL

1. Le bouton du réservoir GPL doit être fermé. Assurez-vous de tourner le bouton dans le sens des aiguilles d'une montre  jusqu'à ce qu'il se bloque entièrement. Le système d'alimentation du cylindre doit être prévu pour le retrait de la vapeur.
2. Vérifiez que le bouton de contrôle de l'unité de commande est éteint.
3. Retirez le capuchon de protection de la vanne du réservoir à propane et de l'écrou de fixation.
4. Tenez le régulateur d'une main pendant que vous insérez le mamelon dans la sortie de vanne. Assurez-vous que le mamelon est centré par rapport à l'entrée de vanne. L'écrou de fixation doit être en contact avec le filet large d'extérieur dans la sortie de vanne. Manipulez avec précaution – ne faussez pas le filetage.
5. Resserrez l'écrou de fixation à la main dans le sens des aiguilles d'une montre  jusqu'à ce qu'il soit bien serré. Resserrez fermement à la main uniquement. N'utilisez pas d'outils.



POUR DÉBRANCHER LE RÉSERVOIR

Fermez complètement la vanne du réservoir en le tournant dans le sens des aiguilles d'une montre . Tournez également l'écrou de fixation dans le sens contraire des aiguilles d'une montre  jusqu'à ce que le régulateur se détache.

AVERTISSEMENT:

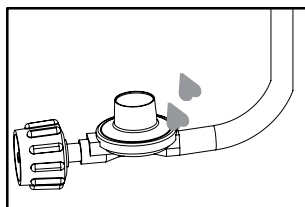
- N'entrez pas de bouteille de GPL sous le barbecue ou à proximité de celui-ci.
- Ne remplissez jamais une bouteille de GPL à plus de 80 % de sa capacité.
- Placez un capuchon antipoussière sur la sortie du robinet de bouteille quand la bouteille n'est pas en cours d'utilisation. Installez uniquement le type de capuchon antipoussière qui est fourni avec le robinet de la bouteille à poser sur la sortie du robinet. D'autres types de capuchons ou bouchons peuvent entraîner des fuites de propane.
- Certains matériaux ou des objets lorsqu'ils sont stockés dans l'appareil de chauffage, seront soumis à la chaleur radiante andcould être sérieusement endommagés.

INSTRUCTIONS DE MONTAGE

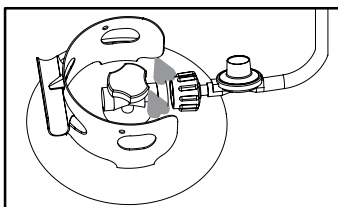
TEST D'ÉTANCHÉITÉ

⚠ AVERTISSEMENT

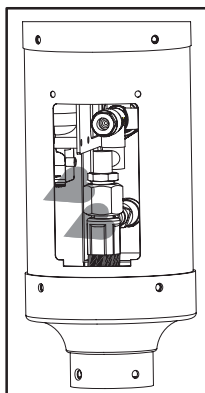
- Effectuez toujours les tests à l'extérieur.
- Eteignez toute flamme nue.
- Ne fumez JAMAIS à proximité de l'appareil lors du test.
- N'utilisez pas le foyer jusqu'à ce que tous les branchements aient été testés puis prouvés étanches.



Connexion tuyau/
régulateur



Connexion régulateur/
bouteille



Tuyau / commande
raccordement du robinet

1. Préparez 2 à 3 oz de solution pour vérifier l'étanchéité (un volume de liquide vaisselle et trois volumes d'eau).
2. Versez la solution dans un flacon pulvérisateur.
3. Assurez-vous que le robinet de la bouteille et la vanne de contrôle sont en position ARRÊT.
4. Appliquez quelques gouttes de la solution au point d'ancrage du tuyau sur le régulateur.
5. Appliquez quelques gouttes de la solution au point d'ancrage du régulateur sur la bouteille.
6. Appliquez quelques gouttes de la solution où le tuyau se connecte à la vanne de commande de gaz.
7. Mettez le robinet de la bouteille en position MARCHÉ.

Si des bulles apparaissent au niveau d'un point de connexion, cela veut dire qu'il y a une fuite.

1. Mettez le robinet de la bouteille en position ARRÊT.
2. Si la fuite est au niveau du point de connexion entre le tuyau et le régulateur (RR) : resserrez la connexion et effectuez un second test d'étanchéité. Si des bulles apparaissent de nouveau, retournez le tuyau à votre point d'achat.
3. Si la fuite est au niveau de la connexion entre le régulateur et le robinet de la bouteille: débranchez-les et rebranchez-les avant de faire un second test d'étanchéité. Si des bulles apparaissent de nouveau après avoir essayé cette manœuvre plusieurs fois, cela veut dire que le robinet de la bouteille est défectueux et que vous devez la retourner à votre point d'achat. Si AUCUNE bulle n'apparaît lors du test, les connexions sont sûres.
4. Si la fuite est au niveau du raccordement entre le tuyau et la vanne de commande du gaz, serrez le raccordement et refaites un essai d'étanchéité. Si des bulles apparaissent de nouveau, retournez le régulateur et le tuyau (RR) ainsi que la tête de vanne (C) à votre lieu d'achat.

Si aucun des bulles apparaissent dans l'une des connexions, les connexions sont sécurisées.

Remarque: À chaque fois que vous rebranchez l'appareil après avoir desserré ou débranché les points de connexion, vous devez effectuer un nouveau test d'étanchéité.

⚠ DANGER

- D'EMPOISONNEMENT AU MONOXIDE DE CARBONE!
- À usage extérieur seulement. Ne jamais utiliser à l'intérieur d'un bâtiment, garage, ou autre lieu non-ventilé ou fermé. Cette chauffeuse consomme de l'air (oxygène). Ne pas utiliser dans un lieu non-ventilé ou fermé afin d'éviter de mettre votre vie en péril

ENTRETIEN

- Déposez le plateau pour chauffe-terrace à plat sur le sol et essuyez-le avec un linge doux.
- Pour ranger le pare-étincelles, refermez les panneaux, mettez-le dans la boîte et fermez celle-ci.
- Si le plateau est fixé à l'appareil, demandez à une autre personne de tenir le boîtier de la bouteille de propane debout pendant que vous accédez à la bouteille.

GARANTIE LIMITÉE D'UN AN

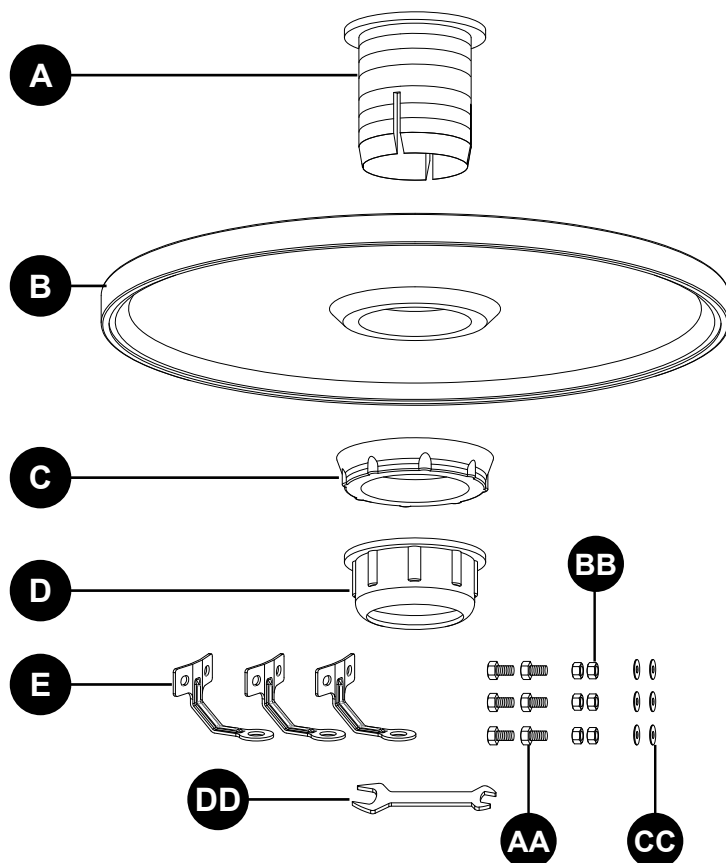
Si, au cours d'une période d'un an à compter de la date originelle de l'achat, cet article s'avère défectueux en raison d'un défaut de matériau ou de fabrication, nous nous engageons à le remplacer ou à le réparer, à notre discrétion, sans frais. Pour commander des pièces ou pour obtenir un service sous garantie, appelez au 1 877 447-4768, du lundi au vendredi, entre 8 h 30 et 16 h 30 (HNC). La présente garantie ne couvre pas les défauts résultant d'une utilisation non conforme ou anormale, d'une mauvaise utilisation, d'un accident ou d'une modification. Omettre de suivre toutes les instructions contenues dans le présent guide annule aussi cette garantie. Le fabricant ne sera en aucun cas tenu responsable pour tout dommage consécutif ou indirect et pour toute érosion normale des produits d'extérieur. Les lois en vigueur dans certains États, provinces ou territoires n'autorisent pas l'exclusion ou la limitation des dommages consécutifs ou indirects et, par conséquent, la clause de limitation énoncée ci-dessus pourrait ne pas s'appliquer à vous. La présente garantie vous accorde des droits spécifiques reconnus par la loi et vous bénéficiez peut-être d'autres droits, qui peuvent varier selon l'État, la province ou le territoire.

LISTE DES PIÈCES DE RECHANGE

Pour obtenir des pièces de rechange, communiquez avec notre service à la clientèle au 877 447-4768, du lundi au vendredi de 8 h 30 à 16 h 30 (HNC).

MODÈLE #DGPH901ATBR

PIÈCE	DESCRIPTION	PIÈCE #
A	Connecteur en plastique	35-01-069
B	Table au fini bronze	35-01-070
C	Pièce de fixation	35-09-004
D	Écrou en plastique	35-10-005
E	Supports de fixation à clouer	30-09-141
AA	Vis M6 x 10mm	30-09-137
BB	M6 Écrou	30-09-138
CC	Rondelle Ø6	30-09-139
DD	Clé	30-09-140



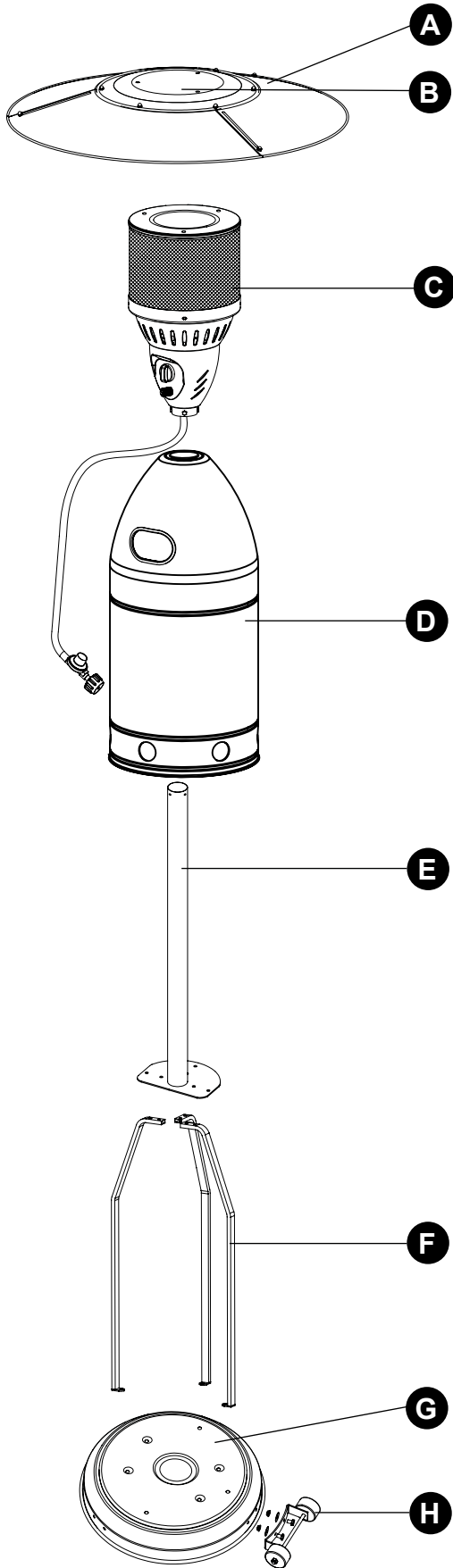
MODÈLE #DGPH902ATSS

PIÈCE	DESCRIPTION	PIÈCE #
A	Connecteur en plastique	35-01-069
B	Table au fini bronze	35-01-072
C	Pièce de fixation	35-09-004
D	Écrou en plastique	35-10-005
E	Supports de fixation à clouer	30-09-142
AA	Vis M6 x 10mm	30-09-137
BB	M6 Écrou	30-09-138
CC	Rondelle Ø6	30-09-139
DD	Clé	30-09-140





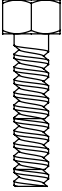
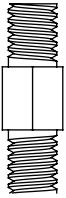
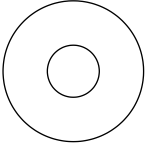
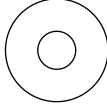
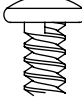
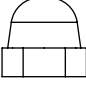
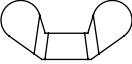
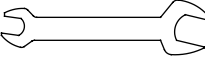
GHP Group Inc.
6440 W. Howard St.
Niles, IL 60714-3302
877-447-4768

PACKAGE CONTENTS



PART	DESCRIPTION	QUANTITY
A	Reflector Panel	3
B	Reflector Plate	1
C	Head Assembly	1
D	Cylinder Housing	1
E	Post	1
F	Support Bracket	3
G	Base	1
H	Wheel Kit	1

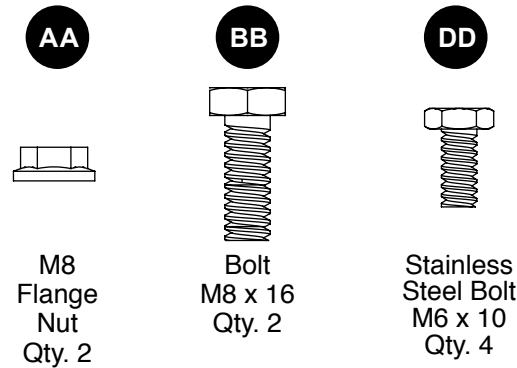
HARDWARE CONTENTS

BB	CC	EE	FF	GG	HH	II	JJ	KK	LL
									
Bolt M8 x 16 Qty. 3	M6 Flange Nut Qty. 6	Bolt M6 x 30 Qty. 6	Reflector Spacer Qty. 3	Washer Φ 8 Qty. 9	Washer Φ 6 Qty. 9	Screw M6 x 10 Qty. 9	M6 Cap Nut Qty. 9	M8 Wing Nut Qty. 3	Wrench Qty. 1 (not actual size)

INCLUDED IN A SEPARATE PLASTIC BAG



EXTRA HARDWARE (PRE-ASSEMBLED)



SAFETY INFORMATION

Please read and understand this entire manual before attempting to assemble, operate or install the product. This manual contains important information about the assembly, operation and maintenance of this patio heater. General safety information is presented in these first few pages and is also located throughout the manual. Keep this manual for future reference and to educate new users of this product. This manual should be read in conjunction with the labeling on the product. Safety precautions are essential when any mechanical or propane fueled equipment is involved. These precautions are necessary when using, storing, and servicing. Using this equipment with the respect and caution demanded will reduce the possibilities of personal injury or property damage. The following symbols shown below are used extensively throughout this manual. Always heed these precautions, as they are essential when using any mechanical or fueled equipment.

DANGER

DANGER indicates an imminently hazardous situation which, if not avoided, will result in death or serious injury.

DANGER

Failure to comply with the precautions and instructions provided with this heater can result in death, serious bodily injury and property loss or damage from hazards of fire, explosion, burn, asphyxiation, and/or carbon monoxide poisoning. Only persons who can understand and follow the instructions should use or service this heater.

DANGER

FOR YOUR SAFETY

If you smell gas:

1. Shut off gas to the appliance.
2. Extinguish any open flame.
3. If odor continues, keep away from the appliance and immediately call your gas supplier or fire department.

SAFETY INFORMATION

! DANGER

- EXPLOSION - FIRE HAZARD
- Keep solid combustibles, such as building materials, paper or cardboard, a safe distance away from the heater as recommended by the instructions.
- Provide adequate clearances around air openings in the combustion chamber.
- Never use the heater in spaces which do or may contain volatile or airborne combustibles, or products such as gasoline, solvents, paint thinner, dust particles or unknown chemicals.
- During operation, this product can be a source of ignition. Keep heater area clear and free from combustible materials, gasoline, paint thinner, cleaning solvents and other flammable vapors and liquids. Do not use heater in areas with high dust content.
- Minimum heater clearances from combustible materials: side and rear 40 inches/101.6 CM., ceiling 28 inches/71.12 CM.

! DANGER

- EXPLOSION - FIRE HAZARD
- Never store propane near high heat, open flames, pilot lights, direct sunlight, other ignition sources or where temperatures exceed 120 degrees F (49°C).
- Propane vapors are heavier than air and can accumulate in low places. If you smell gas, leave the area immediately.
- Never install or remove propane cylinder while heater is lighted, near flame, pilot lights, other ignition sources or while heater is hot to touch.
- This heater is red hot during use and can ignite flammables too close to the burner. Keep flammables at least 40 inches/101.6 cm away from the sides and rear, and 28 inches/71.12 cm away from the ceiling. Keep gasoline and other flammable liquids and vapors well away from heater.
- Store the propane cylinder outdoors in a well ventilated space out of reach of children. Never store the propane cylinder in an enclosed area (house, garage, etc.) If heater is to be stored indoors, disconnect the propane cylinder for indoor storage.

! WARNING

We cannot foresee every use which may be made of our heaters. Check with your local fire safety authority if you have questions about heater use. Other standards govern the use of fuel gases and heat producing products for specific uses. Your local authorities can advise you about these. If no local codes exist, follow National Fuel Gas Code, ANS Z223.1. In Canada, installation must conform to local codes. If no local codes exist, follow the current National standards of CANADA CAN/CGA-B 149.2.

! DANGER

- CARBON MONOXIDE HAZARD
- This heater is a combustion appliance. All combustion appliances produce carbon monoxide (CO) during the combustion process. This product is designed to produce extremely minute, non-hazardous amounts of CO if used and maintained in accordance with all warnings and instructions. Do not block air flow into or out of the heater.
- Carbon Monoxide (CO) poisoning produces flu-like symptoms, watery eyes, headaches, dizziness, fatigue, and possibly death. You can't see it and you can't smell it. It's an invisible killer. If these symptoms are present during operation of this product get fresh air immediately!
- For outdoor use only.
- Never use inside building, garage, or other unventilated or enclosed areas.
- This heater consumes air (oxygen). Do not use in unventilated or enclosed areas to avoid endangering your life.

! WARNING

WARNING indicates an imminently hazardous situation which, if not avoided, will result in death or serious injury.

⚠ SAFETY INFORMATION

⚠ WARNING

Do not store or use gasoline or other flammable vapors and liquids in the vicinity of this or any other appliance. An LP-cylinder not connected for use shall not be stored in the vicinity of this or any other appliance.

⚠ WARNING: For Outdoor Use Only

⚠ DANGER



CARBON MONOXIDE HAZARD
This appliance can produce carbon monoxide which has no odor. Using it in an enclosed space can kill you. Never use this appliance in an enclosed space such as a camper, tent or home.

⚠ WARNING

Improper installation, adjustment, alteration, service or maintenance can cause property damage, injury, or death. Read the installation, operation and maintenance instructions thoroughly before installing or servicing this equipment.

⚠ WARNING

BURN HAZARD

- Never leave heater unattended when hot or in use.
- Keep out of reach of children.

⚠ WARNING

This product and the fuels used to operate this product (liquid propane or natural gas), and the products of combustion of such fuels, can expose you to chemicals including benzene, which is known to the State of California to cause cancer and reproductive harm.

For more information go to www.p65Warnings.ca.gov

⚠ WARNING

Certain materials or items, when stored under the heater, will be subjected to radiant heat and could be seriously damaged.

⚠ CAUTION

SERVICE SAFETY

- Keep all connections and fittings clean. Make sure propane cylinder valve outlet is clean.
- During set up, check all connections and fittings for leaks using soapy water. Never use a flame.
- Use as a heating appliance only. Never alter in any way or use with any device.

⚠ CAUTION

CAUTION indicates an imminently hazardous situation which, if not avoided, may result in minor or moderate personal injury, or property damage.

SAFETY INFORMATION

WARNING

- This product is fueled by propane gas. Propane gas is invisible, odorless, and flammable. An odorant is normally added to help detect leaks and can be described as a “rotten egg” smell. The odorant can fade over time so leaking gas is not always detectable by smell alone.
- Propane gas is heavier than air and leaking propane will sink to the lowest level possible. It can ignite by ignition sources including matches, lighters, sparks or open flames of any kind many feet away from the original leak. Use only propane gas set up for vapor withdrawal.
- Store or use propane gas in compliance with local ordinances and codes or with ANS/NFPA 58. Turn off propane when not in use.

WARNING

- **Alert children and adults to the hazards of high surface temperatures. Stay away from these surfaces to avoid burning skin or igniting clothing.**
- **Carefully supervise young children when in the vicinity of the heater.**
- **Do not hang clothing or any other flammable materials from the heater, or place on or near the heater.**
- **Replace any guard or protective device removed for servicing the appliance prior to placing back in service.**
- **Installation and repair should be done by a qualified service person. The heater should be inspected before use and annually by a qualified service person.**
- **More frequent cleaning may be required as necessary. It is imperative that the control compartment, burners, and circulating air passageway of the appliance be kept clean.**

PREPARATION

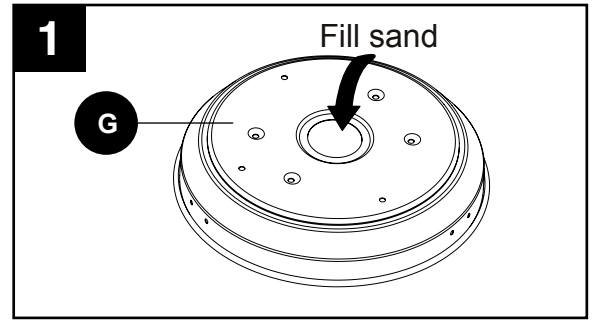
Before beginning assembly of product, make sure all parts are present. Compare parts with package contents list and hardware contents above. If any part is missing or damaged, do not attempt to assemble the product. Contact customer service for replacement parts.

Estimated Assembly time: 45 minutes.

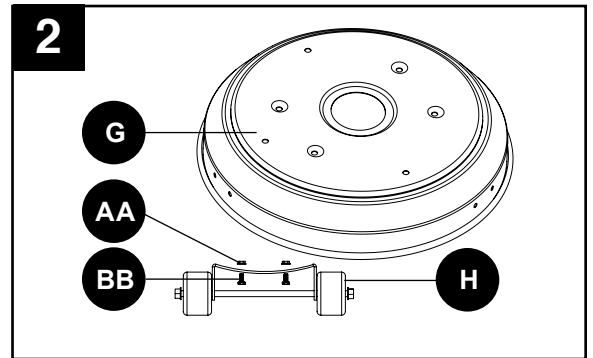
Tools required for Assembly (not included):
Phillips screwdriver, Leak Detection Solution, Sand.

ASSEMBLY INSTRUCTIONS


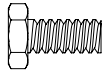
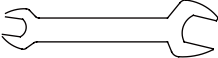
1. To improve the stability, the base (G) must be filled with sand. Remove lid from center of base (G). Slowly pour the sand into the base (G). Shake the base (G) to disperse the sand evenly. Close lid tightly.



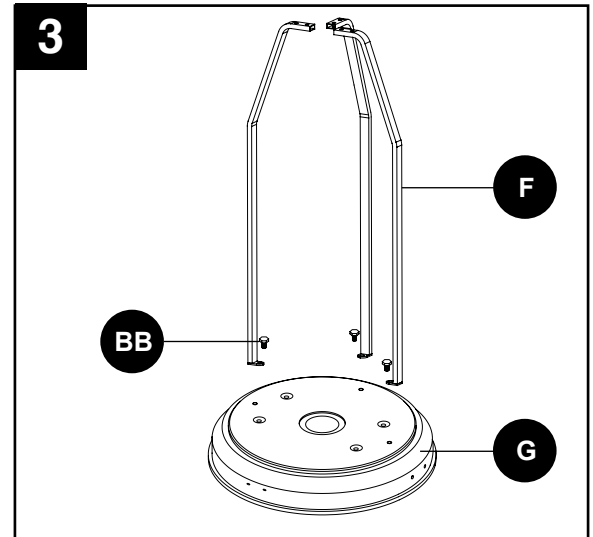
2. Attach Wheel Assembly (H) to base (G). Wheel assembly (H) already has two bolts M8 x 16 (BB) and two M8 flange nuts (AA) pre-assembled. Unscrew these (BB) bolts from these (AA) nuts. Line up the holes in the wheel bracket (H) with the corresponding holes in the base (G). Insert the two bolts M8 x 16 (BB) through the holes, and finger tighten with two M8 flange nuts (AA). Be sure that the wheel assembly (H) is parallel to the base (G), and fully tighten the bolts.



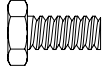
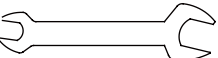
Hardware Used

AA	M8 flange nuts		x 2
BB	Bolt M8 x 16		x 2
LL	Wrench		

3. Loosely attach three support brackets (F) to base (G) with three bolts M8 x 16 (BB) downward through support brackets (F) into the base (G).

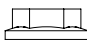
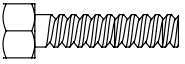
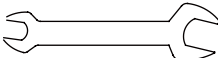


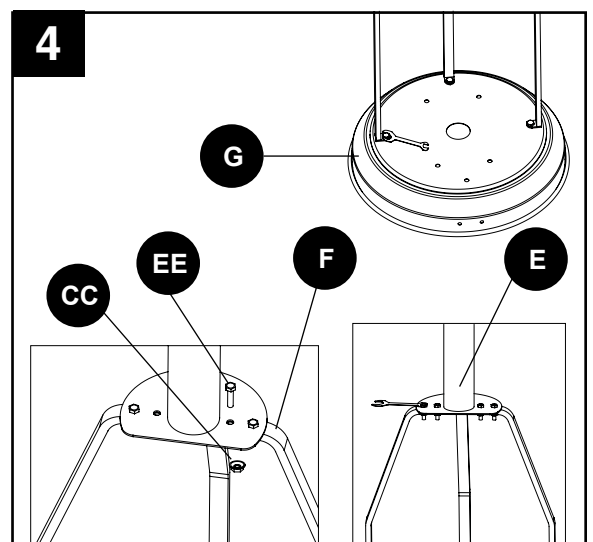
Hardware Used

BB	Bolt M8 x 16		x 3
LL	Wrench		

4. Attach post (E) to three support brackets (F) using six bolts M6 x 30 (EE) and six M6 flange nuts (CC). Fully tighten all of the screws, including those at the base (G).

Hardware Used

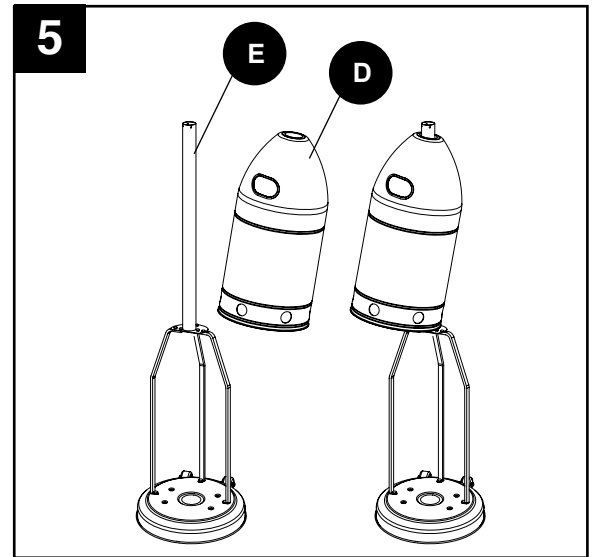
CC	M6 Flange Nut		x 6
EE	Bolt M6 x 30		x 6
LL	Wrench		



ASSEMBLY INSTRUCTIONS

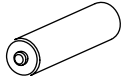
5. Load Cylinder Housing (D) onto Post (E).
Slide Cylinder housing (D) down.

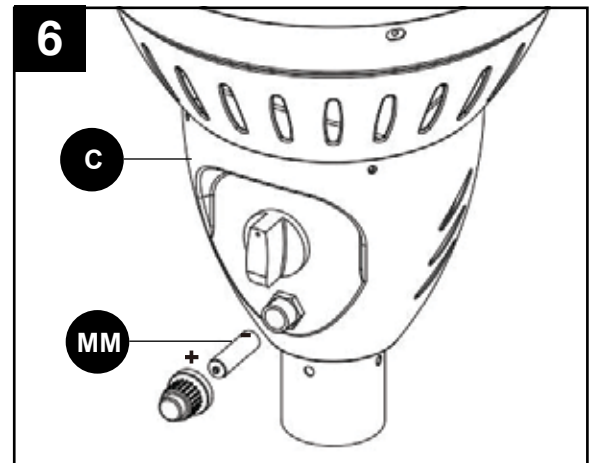
NOTE: If you purchased a separate table accessory, please refer to that manual now. If you do not refer to that manual at this time you will have to disassemble the unit in order to add the table accessory.



6. Unscrew ignitor knob (marked with lighting bolt) from the control panel on the head assembly (C). Insert AAA battery (MM) with positive end (+) outward. Replace ignitor knob.

Hardware Used

MM AAA Battery  x 1



The electronic ignition requires 1 "AAA" alkaline battery, which is included.

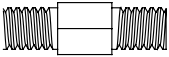
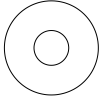
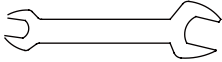
WARNING

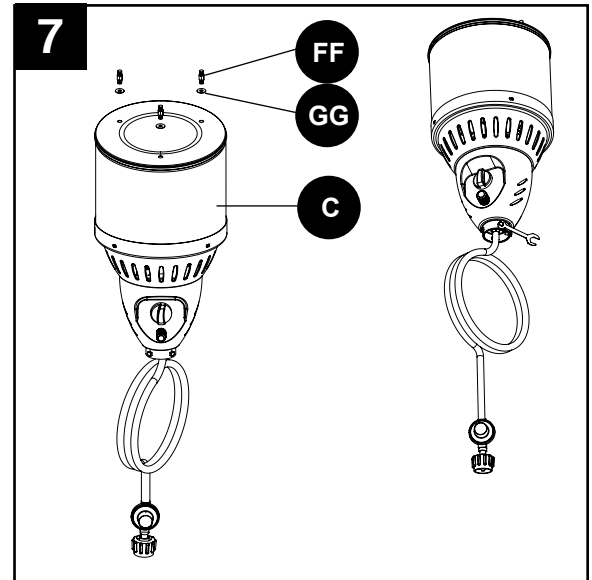
DO NOT mix old and new batteries.
DO NOT mix alkaline, standard (Carbon-Zinc), or rechargeable (Nickel-Cadmium) batteries.
DO NOT dispose of batteries in fire. Improper disposal may cause batteries to leak or explode.

ASSEMBLY INSTRUCTIONS

7. Attach reflector spacers (FF) and three washers Φ 8 (GG) to screen cover on the head assembly (C). Tighten the reflector spacers (FF).

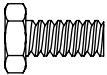
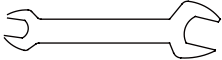
Hardware Used

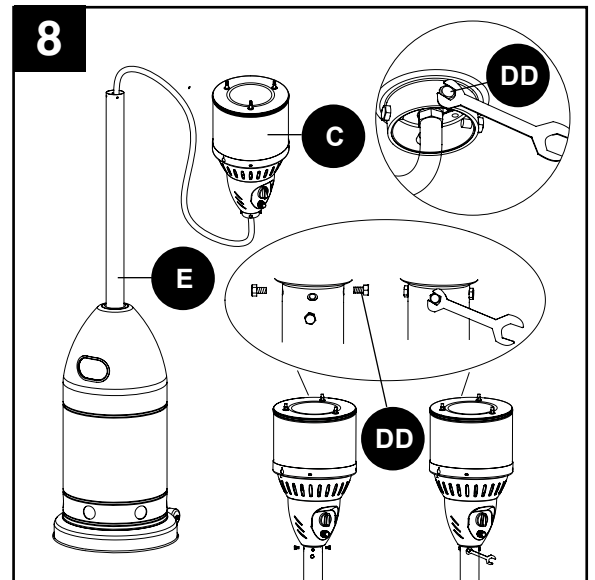
FF	Reflector Spacer		x 3
GG	Washer Φ 8		x 3
LL	Wrench		



8. There should be 4 stainless steel bolts M6 x 10 (DD) already assembled to the head assembly (C). Remove these stainless steel bolts (DD) and set them aside. Load the head assembly (C) by inserting the hose into the post (E). Insert the head assembly (C) into the post (E). Attach the head assembly (C) to post (E) by loosely installing the four stainless steel bolts M6 x 10 (DD) previously removed. Tighten bolts securely.

Hardware Used

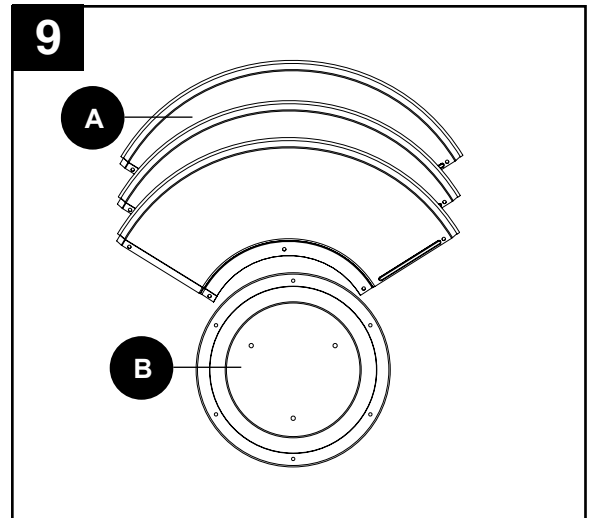
DD	Stainless Steel Bolt M6 x 10		x 4
LL	Wrench		



ASSEMBLY INSTRUCTIONS

9. Remove reflector panels (A) and reflector plate (B) from packaging.


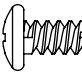

WARNING: Remove protective plastic cover before assembling.

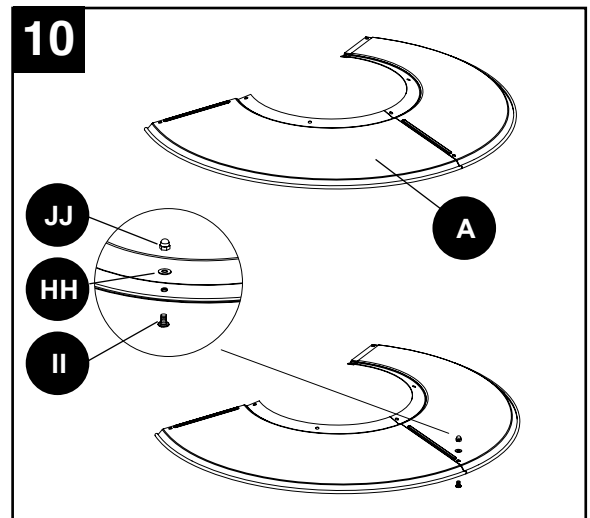


10. Slide two reflector panels (A) together. Insert one screw M6 x 10 (II). Slide one washer Φ 6 (HH) over the threaded end of screw M6 x 10 (II) and screw on one M6 cap nut (JJ) loosely. Attach the third panel on both sides to the two already joined panels using two more M6 x 10 screws (II), two more Φ 6 washers (HH), and two more M6 cap nuts (JJ).

Note: For proper alignment of reflector panels, keep bolts loose until all parts are together and then tighten.


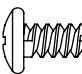

Hardware Used

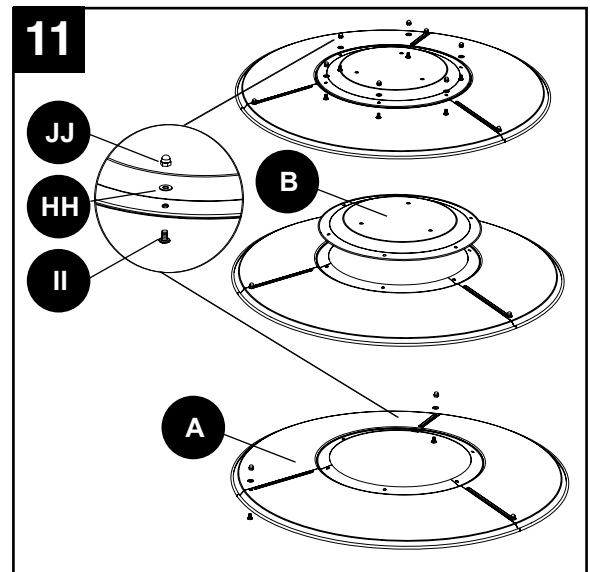
HH	Washer Φ 6		x 3
II	Screw M6 x 10		x 3
JJ	M6 Cap nuts		x 3



11. Slide reflector plate (B) onto reflector panels (A). Insert one screw M6 x 10 (II). Slide one washer Φ 6 (HH) over threaded end of screw M6 x 10 (II) and screw on one M6 cap nut (JJ) loosely. Repeat procedure to complete the assembly of all three sections. Fully tighten all of the screws in the rolled edge.

Hardware Used

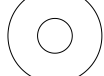
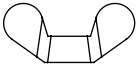
HH	Washer Φ 6		x 6
II	Screw M6 x 10		x 6
JJ	M6 Cap nuts		x 6

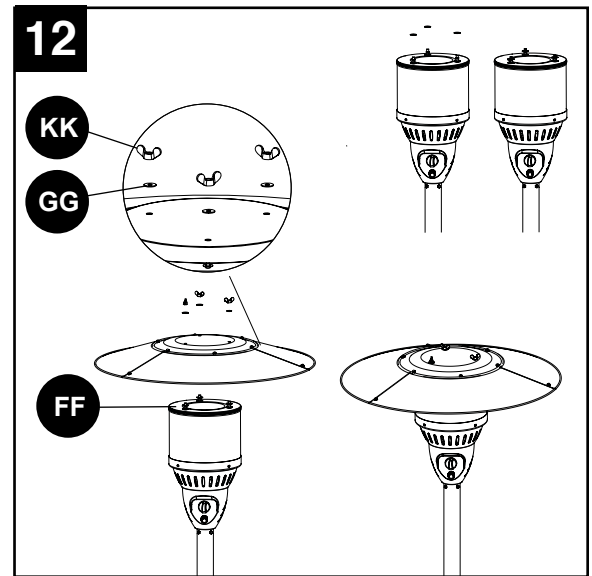


ASSEMBLY INSTRUCTIONS

12. Hold the heater steady while sliding three washers Φ 8 (GG) over threaded end of reflector spacer (FF). Position reflector assembly over three spacers (FF). Install three washers Φ 8 (GG) on reflector spacers (FF) and securely tighten with three M8 wing nuts (KK) but do not overtighten.

Hardware Used

GG	Washer Φ 8		x 6
KK	M8 Wing nut		x 3



13. **NOTE: If you have a separate table accessory please follow the instructions below to change or access the propane tank.**

To change or access the propane tank, you will need to completely unscrew the nut and move the table and nut all the way up to the top of the post. Lightly tighten. Use the assistance of a second person to hold up the cylinder housing while you tend to the propane tank.

Connect regulator and hose assembly (RR) to propane cylinder (not included). The propane gas and cylinder are sold separately.

CONNECTING GAS CYLINDER

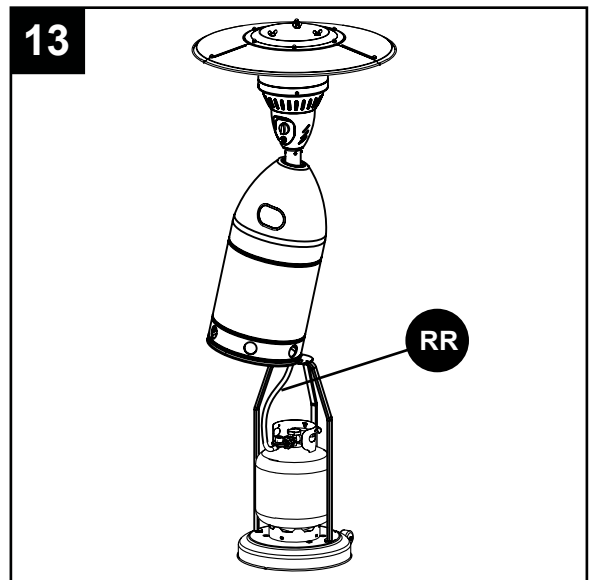
Use only 20-pound cylinders (approximately 18 ¼ inches high and 12 ¼ inches in diameter) equipped with a cylinder connection device compatible with the connection for outdoor cooking appliances. The gas cylinder should not be dropped or handled roughly!

Minimum Gas Supply Pressure : 5.0 psi / 35 kPa
 Maximum Gas Supply Pressure Bottle pressure
 Outlet pressure setting of regulator is 11.0 in. W.C / 2.74 kPa -LPG.

Storage of an appliance indoors is permissible only if the cylinder is disconnected and removed from the appliance. A cylinder must be stored outdoors in a well-ventilated area out of the reach of children. A disconnected cylinder must have dust caps tightly installed and must not be stored in a building, garage or any other enclosed area.

The minimum hourly of 17000Btu/H / 4.98 KW is required input rating for a heater for automatic operation at ratings less than full input rating.

The pressure regulator and hose assembly supplied with the appliance must be used. The installation must conform with local codes, or in the absence of local codes, with national fuel gas code, ANS Z223.1/ NFPA54, natural gas and propane Installation Code, CSA B149.1, or propane storage and handling code, B149.2.



ASSEMBLY INSTRUCTIONS

A dented, rusted, or damaged propane cylinder may be hazardous and should be checked by your cylinder supplier. Never use a propane cylinder with a damaged valve connection.

The propane cylinder must be constructed and marked in accordance with the specifications for LP gas cylinders of the U.S. Department of Transportation (DOT) or the standard for cylinders, spheres and tubes for transportation of dangerous goods and commission, CAN/CSA-B339.

The cylinder must have a listed overfilling prevention device.

The cylinder must have a connection device compatible with the connection for the appliance.

The cylinder used must include a collar to protect the cylinder valve.

Never connect an unregulated propane cylinder to the heater.

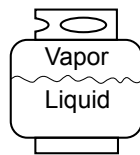
Before connection, be sure that there is no debris caught in the outlet of the gas cylinder, inlet of the regulator valve or in the outlet of the burner and burner ports.

Connect regulator valve and hand-tighten firmly. Keep the propane cylinder valve closed and disconnect the propane cylinder from the regulator valve when the appliance is not in use.

DO NOT obstruct the flow of combustion air and ventilation air to the appliance.

The propane cylinder must be arranged for vapor withdrawal and equipped with a listed overfilling prevention device. Please use the proper cylinder orientation to provide vapor withdrawal.

NOTE: The cylinder must be fully upright for the cylinder to have vapor withdrawal only.



Correct





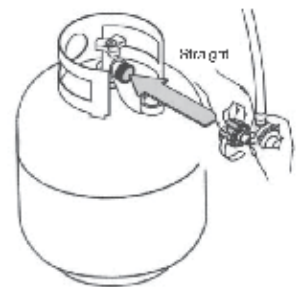
Wrong





Wrong

CONNECTING THE LP TANK

1. The knob on the LP tank must be closed. Make sure that the knob is turned  clockwise to a full stop. The cylinder supply system must be arranged for vapor withdrawal.
2. Check that the control knob on the control panel is turned off.
3. Remove the protective cap from the LP tank valve and coupling nut.
4. Hold the regulator in one hand and insert the nipple into the valve outlet. Be sure the nipple is centered in the valve outlet. The coupling nut connects to the large outside threads on the valve outlet. Use care - do not cross thread the connection.
5. Hand-tighten the coupling nut  clockwise until it comes to a full stop. Firmly tighten by hand only. Do not use tools.



TO DISCONNECT

Fully close the tank valve by turning  clockwise. Turn the coupling nut  counterclockwise until the regulator assembly detaches.

WARNING:

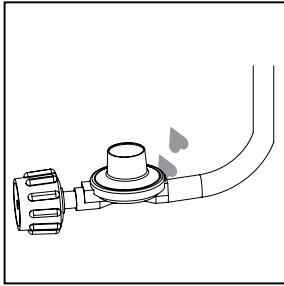
- Do not store a spare LP-gas cylinder under or near this appliance;
- Never fill the cylinder beyond 80 percent full;
- Place the dust cap on the cylinder valve outlet whenever the cylinder is not in use. Only install the type of dust cap on the cylinder valve that is provided with the cylinder valve. Other type of caps or plugs may result in leakage of propane.
- Certain materials or items when stored under the heater, will be subjected to radiant heat and could be seriously damaged.

OPERATION INSTRUCTIONS

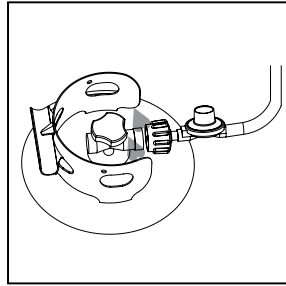
Leak Check

⚠ WARNING

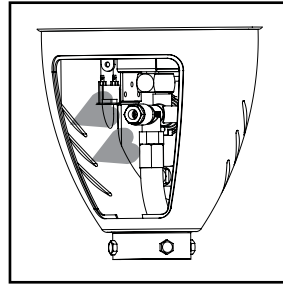
- Perform all leak tests outdoors.
- Extinguish all open flames.
- NEVER leak test when smoking.
- Do not use the heater until all connections have been leak test and do not leak.



Hose / Regulator
connection



Regulator / Cylinder
connection



Hose / Gas control
valve connection

1. Make 2-3 oz. of leak check solution (one part liquid dishwashing detergent and three parts water).
2. Put leak solution in a spray bottle.
3. Make sure control valve and cylinder valve are OFF.
4. Apply several drops of solution where hose attaches to regulator.
5. Apply several drops of solution where regulator connects to cylinder.
6. Apply several drops of solution where hose connects to gas control valve.
7. Turn cylinder valve ON.

If bubbles appear at any connection, there is a leak.

1. Turn cylinder valve OFF.
2. If leak is at hose/regulator connection, the regulator and hose assembly (RR) should be returned to the place of purchase.
3. If leak is at regulator/cylinder valve connection: disconnect, reconnect, and perform another leakcheck. If you continue to see bubbles after several attempts, cylinder valve is defective and should be returned to cylinder's place of purchase.
4. If leak is at hose/gas control valve connection: tighten connection and perform another leak test. If bubbles continue appearing, the regulator and hose assembly (RR) and head assembly (CC) should be returned to the place of purchase.

If NO bubbles appear at any connection, the connections are secure.

NOTE: Whenever gas connections are loosened or removed, you must perform a complete leak test.

OPERATION INSTRUCTIONS

⚠ DANGER

- CARBON MONOXIDE HAZARD
- For outdoor use only. Never use inside building, garage, or other unventilated or enclosed areas. This heater consumes air (oxygen). Do not use in unventilated or enclosed areas to avoid endangering your life.

Caution: Do not attempt to operate until you have read and understand all General Safety Information in this manual and all assembly is complete and leak checks have been performed.

Before Turning Gas Supply ON:

1. Your heater was designed and approved for outdoor use only. Do NOT use it inside a building, garage, or any other enclosed area.
2. Make sure surrounding areas are free of combustible materials, gasoline, and other flammable vapors and liquids.
3. Ensure that there is no obstruction to air ventilation. Be sure all gas connections are tight and there are no leaks.
4. Be sure the cylinder cover is clear of debris. Be sure any component removed during assembly or servicing is replaced and fastened prior to starting.

Before Lighting:


1. Heater should be thoroughly inspected before each use, and by a qualified service person at least annually. If relighting a hot heater, always wait at least 5 minutes.
2. Inspect the regulator and hose assembly (RR) for evidence of excessive abrasion, cuts, or wear. Suspected areas should be leak tested. If the hose leaks, it must be replaced prior to operation. Only use the replacement regulator and hose assembly (RR) specified by manufacturer.

Lighting:

Note: This heater is equipped with a pilot light that allows for safer startups and shutdowns. Pilot must be lit before main burner can be started.

1. Turn the control knob to the "OFF" (O) position.
2. Fully open LP cylinder valve.
3. Open viewing hole by sliding cover to either side (Figure 1).

CAUTION: Do not touch or move this part while the unit is in operation. Unit is hot when operating. Always use a tool to slide the cover open.

4. Push control knob in and rotate counter clockwise to "PILOT" () position (Figure 2).

Note: For initial start or after any cylinder change, hold control knob in for no more than 2 minutes or until you smell gas to purge air from gas lines before proceeding.

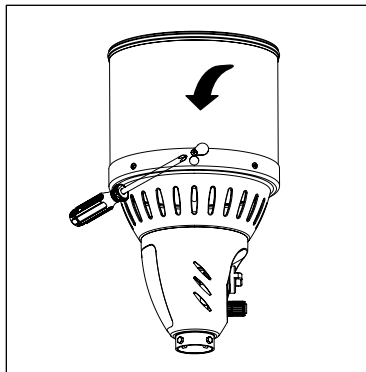


Figure 1

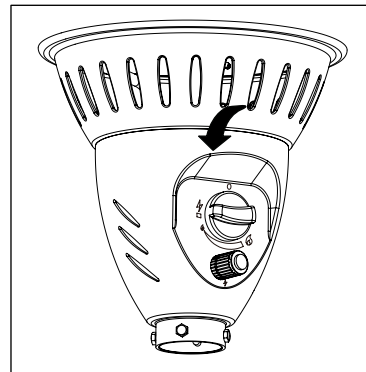



Figure 2

OPERATION INSTRUCTIONS

5. Push the electronic ignitor button until pilot flame is visible through viewing hole.
6. Once the pilot is lit, continue to depress the control knob for 30 seconds.
7. If the pilot does not stay lit, repeat steps 4 to 6.
8. If after repeating steps 4 to 6 unit does not light, then
 - Push in control knob and turn counterclockwise to “PILOT” () (Figure 3).
 - As you are depressing the control knob, place long stem lighter (not included) into the viewing hole on the head assembly to light the pilot (Figure 4).
 - Repeat step 6.

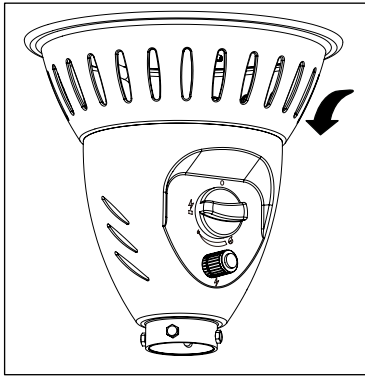


Figure 3

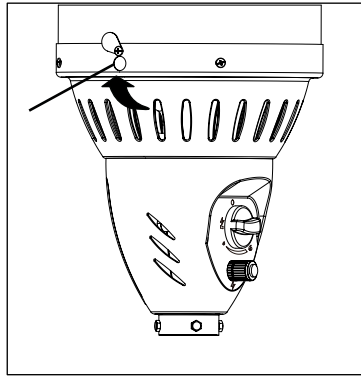


Figure 4

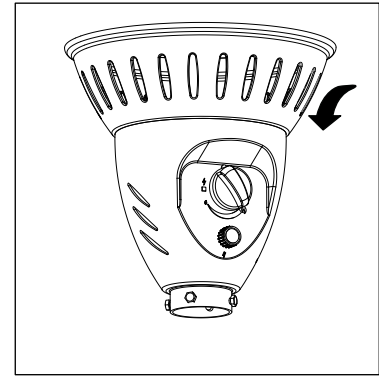


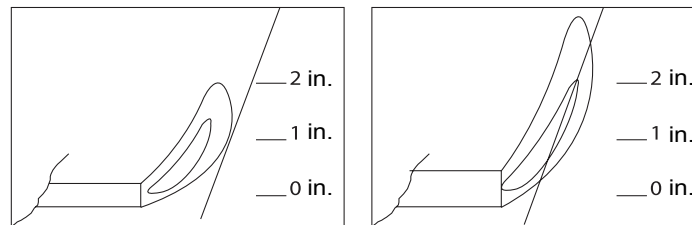


Figure 5

9. Push in and turn the control knob to “LOW” (), then release control knob. If you want a higher temperature, push in the control knob and turn counterclockwise to “HIGH” () (Figure 5).

Note: If pilot fails to remain lit, all valves should be closed and a waiting period of at least 5 minutes should pass before attempting to light.



Normal

Abnormal

If you experience any ignition problem please consult “Troubleshooting” on page 19.

Caution: Avoid inhaling fumes emitted from the heater’s first use. Smoke and odor from the burning of oils used in manufacturing will appear. Both smoke and odor will dissipate after approximately 30 minutes. The heater should NOT produce thick black smoke.

Note: The burner may be noisy when initially turned on. To eliminate excessive noise from the burner, turn the control knob to the PILOT position. Then, turn the knob to the level of heat desired.

When heater is ON:

Emitter screen will become bright red due to intense heat. The color is more visible at night. Burner will display tongues of blue and yellow flame. These flames should not be yellow or produce thick black smoke, indicating an obstruction of airflow through the burners. The flame should be blue with straight yellow tops. If excessive yellow flame is detected, turn off heater and consult “Troubleshooting” on page 19.


OPERATION INSTRUCTIONS

WARNING

FOR YOUR SAFETY

Be careful when attempting to manually ignite this heater. Holding in the control knob for more than 10 seconds before igniting the gas will cause a ball of flame upon ignition.

Re-Lighting:

Note: For your safety, control knob cannot be turned “OFF” (O) without first depressing the control knob in “PILOT” () position and then rotating it to “OFF” (O).


1. Turn control knob to “OFF” (O).
2. Wait at least 5 minutes to let gas dissipate before attempting to relight Pilot.
3. Repeat the “Lighting” steps on prior page.

WARNING

FOR YOUR SAFETY

Heater will be hot after use. Handle with extreme care.

Shut Down:

1. Turn control knob clockwise to “PILOT” (). (Normally, burner will make a slight popping sound when extinguished.) Burner will extinguish but PILOT will remain ON.
2. To extinguish PILOT, depress control knob and continue to turn it clockwise to “OFF” (O).
3. Turn cylinder valve clockwise to OFF and disconnect regulator when heater is not in use.

Note: After use, some discoloration of the emitter screen is normal.

Operation Checklist

For a safe and pleasurable heating experience, perform this check before each use.

Before Operating:

1. I am familiar with entire owner’s manual and understand all precautions noted.
2. All components are properly assembled, intact and operable.
3. No alterations have been made.
4. All gas connections are secure and do not leak.
5. Wind velocity is below 10 mph / 8.046km/h.
6. Unit will operate at reduced efficiency below 40°F / 4°C.
7. Heater is outdoors (outside any enclosure).
8. There is adequate fresh air ventilation.
9. There is an AAA battery inside the Electric igniter and the battery is new.

OPERATION INSTRUCTIONS

10. Heater is away from gasoline or other flammable liquids or vapors.
11. Heater is away from windows, air intake openings, sprinklers and other water sources.
12. Minimum heater clearances from combustible materials: side and rear 40 inches/101.6 CM, ceiling 28 inches/71.12 CM.
13. Heater is on a noncombustible, hard and level surface.
14. There are no signs of spider or insect nests.
15. All burner passages are clear.
16. All air circulation passages are clear.
17. *Children and adults should be alerted to the hazards of high surface temperatures and should stay away to avoid burns or clothing ignition.*
18. *Young children should be carefully supervised when they are in the area of the heater.*
19. *Clothing or other protective material should not be hung from the heater, or placed on or near the heater.*
20. *Any guard or other protective device removed for servicing the heater must be replaced prior to operating the heater.*
21. *Installation and repair should be done by a qualified service person. The heater should be inspected before use and at least annually by a qualified service person.*
22. *More frequent cleaning may be required as necessary. It is imperative that control compartment, burner and circulating air passageways of the heater be kept clean.*

After Operation

1. Gas control is in OFF position.
2. Gas Tank valve is OFF.
3. Disconnect hose regulator from propane cylinder.

CARE AND MAINTENANCE

⚠ WARNING

FOR YOUR SAFETY

- Do NOT touch or move heater until at least 45 minutes after use.
- Reflector is hot to the touch.
- Allow reflector to cool before touching.

To enjoy years of outstanding performance from your heater, make sure you perform the following maintenance activities on a regular basis:

Keep exterior surfaces clean.

1. Use warm soapy water for cleaning. Never use flammable or corrosive cleaning agents.
2. While cleaning your unit, be sure to keep the area around the burner and pilot assembly dry at all times. Do NOT submerge the control valve assembly. If the gas control is submerged in water, do NOT use it. It must be replaced.
 - a. Keep the appliance area clear and free from combustible materials, gasoline and other flammable vapors and liquids.
 - b. Do not obstruct the flow of combustion and ventilation air.
 - c. Keep the ventilation opening(s) of the cylinder enclosure free and clear from debris.
3. Air flow must be unobstructed. Keep controls, burner, and circulating air passageways clean.

CARE AND MAINTENANCE

Signs of possible blockage include:

- Gas odor with extreme yellow tipping of flame.
- Heater does NOT reach the desired temperature.
- Heater glow is excessively uneven.
- Heater makes popping noises.
- Spiders and insects can nest in burner or orifices. This dangerous condition can damage heater and render it unsafe for use. Clean burner holes by using a heavy-duty pipe cleaner. Compressed air may help clear away smaller particles.
- Carbon deposits may create a fire hazard. Clean dome and burner screen with warm soapy water if any carbon deposits develop.
- Battery check: Please ensure the battery is installed before use. Take out the battery if the unit will not be used for a long time.



Note: In a salt-air environment (such as near an ocean), corrosion occurs more quickly than normal. Frequently check for corroded areas and repair them promptly.

Storage

Between uses:

- Turn off control valve and cylinder valve.
- Disconnect the hose regulator from propane cylinder.
- Remove the battery from the igniter.
- Store heater upright in an area sheltered from direct contact with inclement weather (such as rain, sleet, hail, snow, dust and debris).
- If desired, cover heater to protect exterior surfaces and to help prevent build-up in air passages.

Note: Wait until heater is cool before covering.

During periods of extended inactivity or when transporting:

- Turn off control valve and cylinder valve.
- Disconnect the hose regulator and move the cylinder to a secure, well ventilated, outdoor location.
- Remove the battery from the igniter.
- Store heater upright in an area sheltered from direct contact with inclement weather (such as rain, sleet, hail, snow, dust and debris).
- If desired, cover heater to protect exterior surfaces and to help prevent build-up in air passages.

Never leave LP cylinder exposed to direct sunlight or excessive heat.

Note: wait until heater is cool before covering.

Service

Only a qualified service person should repair gas passages and associated components.

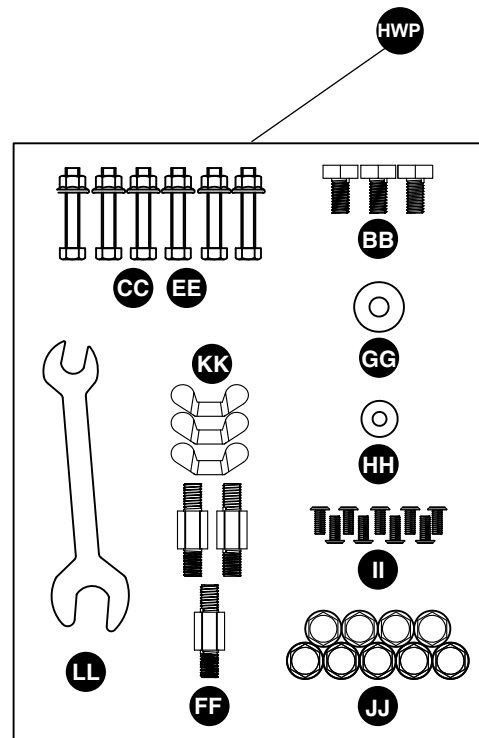
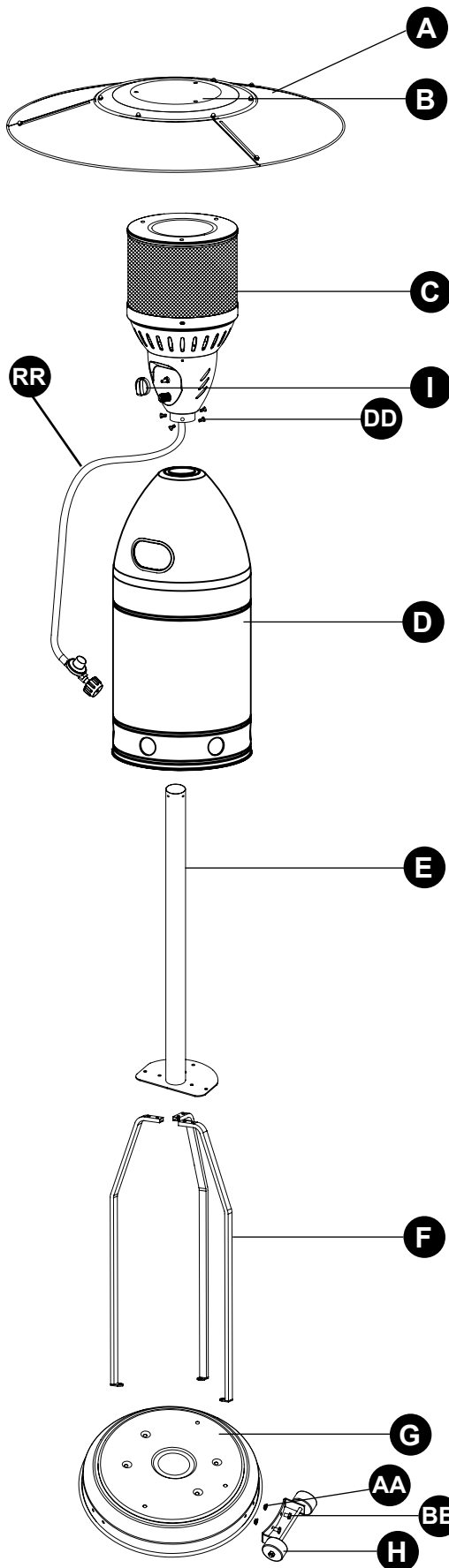
Caution: Always allow heater to cool before attempting service.

TROUBLESHOOTING

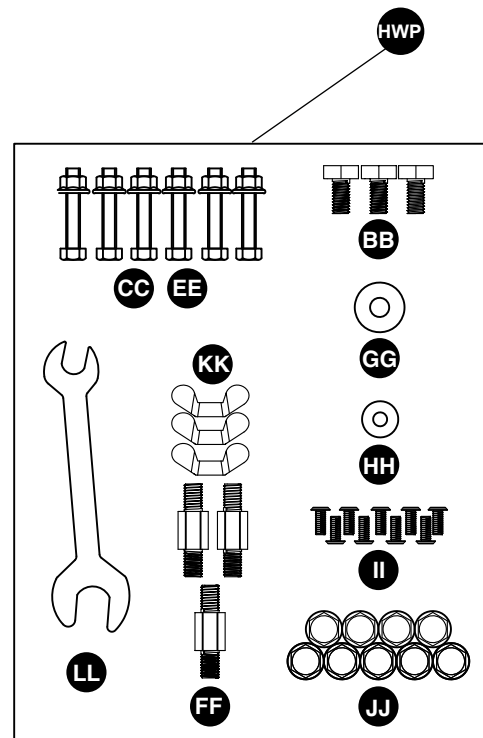
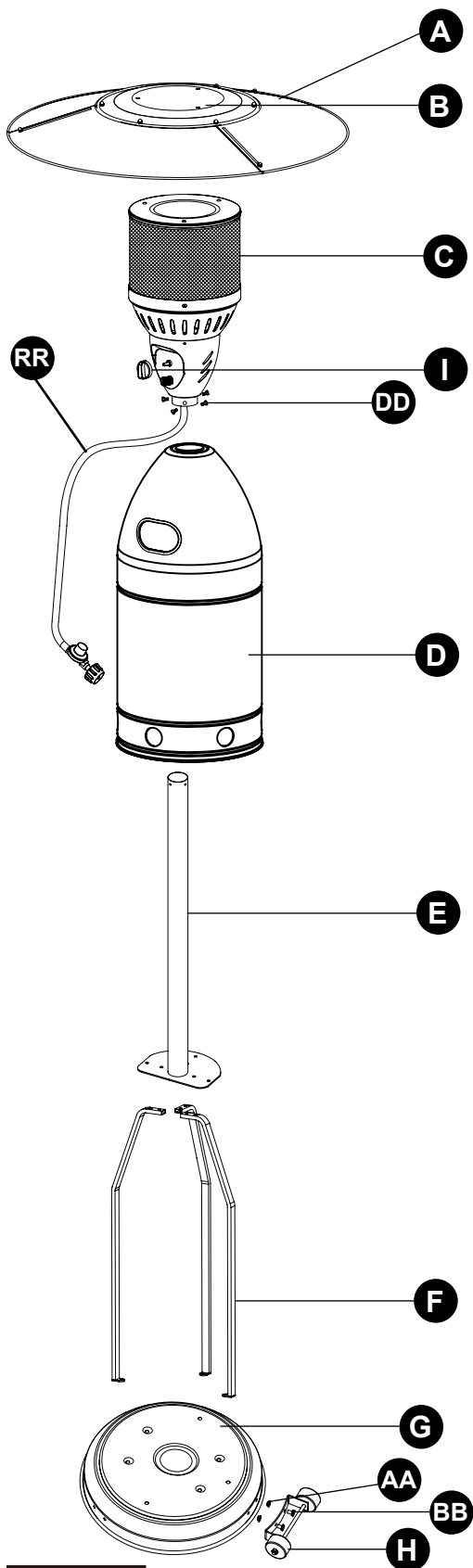
PROBLEM	POSSIBLE CAUSE	CORRECTIVE ACTION
Pilot won't light Note: Heater operates at reduced efficiency below 40°F/ 4°C	Cylinder valve is closed	Open valve
	Blockage in orifice or pilot tube	Clean or replace orifice or pilot tube
	Air in gas line	Open gas line and bleed it (pressing control knob in) for not more than 1 - 2 minutes or until you smell gas
	Low gas pressure with cylinder valve fully open	Turn cylinder valve OFF and replace cylinder
	Igniter fails	Use match to light pilot; obtain new igniter and replace
	Dead battery or faulty battery connection	
		Check to see if battery is inserted correctly
		Check for any corrosion around battery terminals.
Pilot won't stay lit	Dirt built up around pilot	Clean dirt from around pilot
	Connection between gas valve and pilot assembly is loose	Tighten connection and perform leak check
	Thermocouple is not operating correctly	Replace thermocouple
Burner won't light	Propane cylinder is frosted over	Wait until the propane cylinder warms up and becomes unfrosted
	Blockage in orifice	Clear blockage
	Control knob is not in ON position	Turn control knob to ON
Burner flame is low	Gas pressure is low	Turn cylinder valve OFF and replace cylinder
	Outdoor temperature is less than 40°F (4°C) and tank is less than 1/4 full	Use a full cylinder
	Control knob fully ON	Check burner and orifices for blockage
Carbon build-up	Dirt or film on reflector and burner screen	Clean reflector and burner screen
Thick black smoke	Blockage in burner	Remove blockage and clean burner inside and outside.

ONE-YEAR LIMITED WARRANTY

If within one year from the date of original purchase, this item fails due to a defect in material or workmanship, we will replace or repair at our option, free of charge. To order parts or to obtain warranty service, call 1-877-447-4768, 8:30AM-4:30PM, CST, Monday-Friday. This warranty does not cover defects resulting from improper or abnormal use, misuse, accident, or alteration. Failure to follow all instructions in the owner's manual will also void this warranty. The manufacturer will not be liable for incidental or consequential damages, or common erosion of outdoor products. Some states do not allow the exclusion or limitation of incidental or consequential damages, so the above limitation may not apply to you. This warranty gives you specific legal rights, and you may also have other rights which vary from state to state.



PART	DESCRIPTION	QTY.	PART NO.
A	Reflector Panel	3	35-01-015
B	Reflector Plate	1	35-01-016
C	Head Assembly	1	35-01-004
D	Cylinder Housing	1	35-01-005
E	Post	1	35-01-007
F	Support Bracket	3	35-01-010
G	Base	1	35-01-025
H	Wheel Kit	1	35-01-027
I	Control Knob	1	30-01-021
AA	M8 Flange Nut	2	35-09-001
BB	M8 Bolt	2	35-09-002
DD	Stainless Steel Bolt	4	35-09-003
RR	Regulator and Hose Assembly	1	30-01-189
HWP	Hardware Pack	1	35-09-501
N/A	Instruction Manual	1	35-10-001



PART	DESCRIPTION	QTY.	PART NO.
A	Reflector Panel	3	35-01-015
B	Reflector Plate	1	35-01-016
C	Head Assembly	1	35-01-004
D	Cylinder Housing	1	35-01-006
E	Post	1	35-01-008
F	Support Bracket	3	35-01-049
G	Base	1	35-01-026
H	Wheel Kit	1	35-01-028
I	Control Knob	1	30-01-021
AA	M8 Flange Nut	2	35-09-001
BB	M8 Bolt	2	35-09-002
DD	Stainless Steel Bolt	4	35-09-003
RR	Regulator and Hose Assembly	1	30-01-189
HWP	Hardware Pack	1	35-09-501
N/A	Instruction Manual	1	35-10-001



GHP Group, Inc.
 6440 W. Howard St.
 Nilis, IL 60714-3302
 877-447-4768

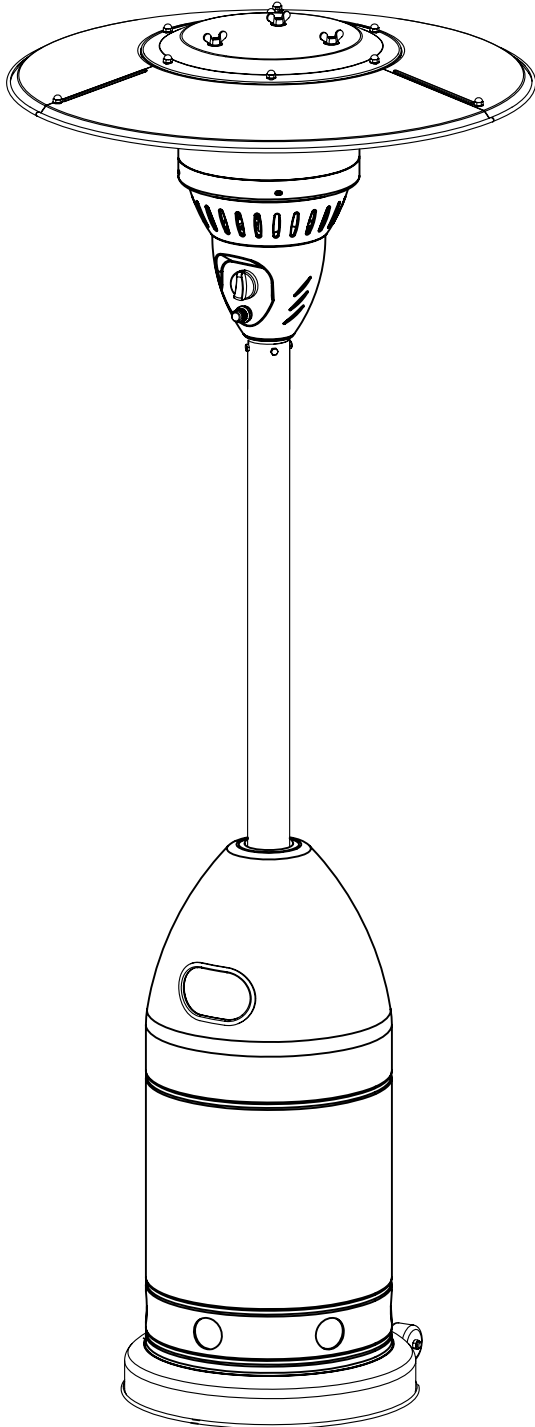
Dyna-Glo® Manual del Propietario

CALENTADOR DE PATIO EXTERIOR

MODEL #DGPH201BR
DGPH202SS

English p. 1

Français p. 43



⚠ PELIGRO

Si huele a gas:

1. Apague el gas del electrodoméstico.
2. Apague cualquier llama abierta.
3. Si el olor continúa, manténgase alejado del electrodoméstico y llama inmediatamente a su proveedor de gas o a los bomberos.

⚠ ADVERTENCIA

ADVERTENCIA indica una situación de PELIGRO inminente que, si no se evita, provocará la muerte o lesiones graves.

⚠ ADVERTENCIA

No almacene ni use gasolina u otros vapores o líquidos inflamables en los alrededores de este u otro electrodoméstico.

Ningún tanque de gas propano que no esté conectado para su uso debe almacenarse en los alrededores de este u otro electrodoméstico.

⚠ ADVERTENCIA:

Para uso en exteriores únicamente.

⚠ ADVERTENCIA

Instalación incorrecta, ajuste, modificación, servicio o mantenimiento pueden ocasionar lesiones o daño a la propiedad. Consulte el manual de información para el usuario suministrado con este electrodoméstico. Para asistencia o información adicional consulte a un instalador cualificado, agencia de servicio o al proveedor de gas.



ANS Z83.26-2014 • CSA 2.37-2014 Gas-Fired
Outdoor Infrared Patio Heaters

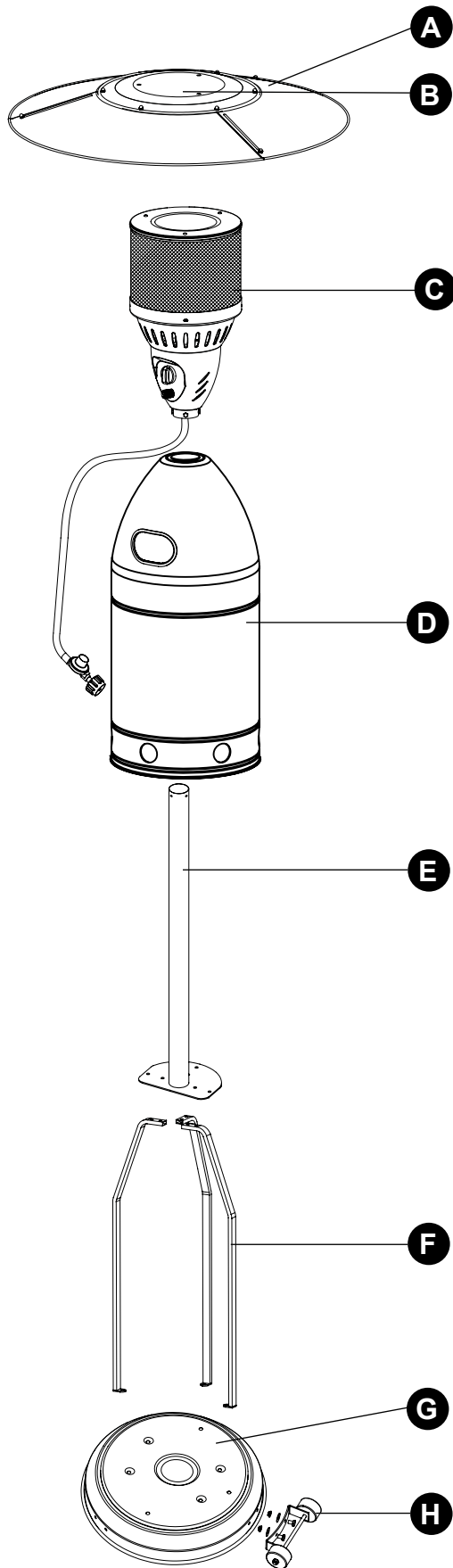
ADJUNTE AQUI SU RECIBO

Número de serial _____ Fecha de compra _____



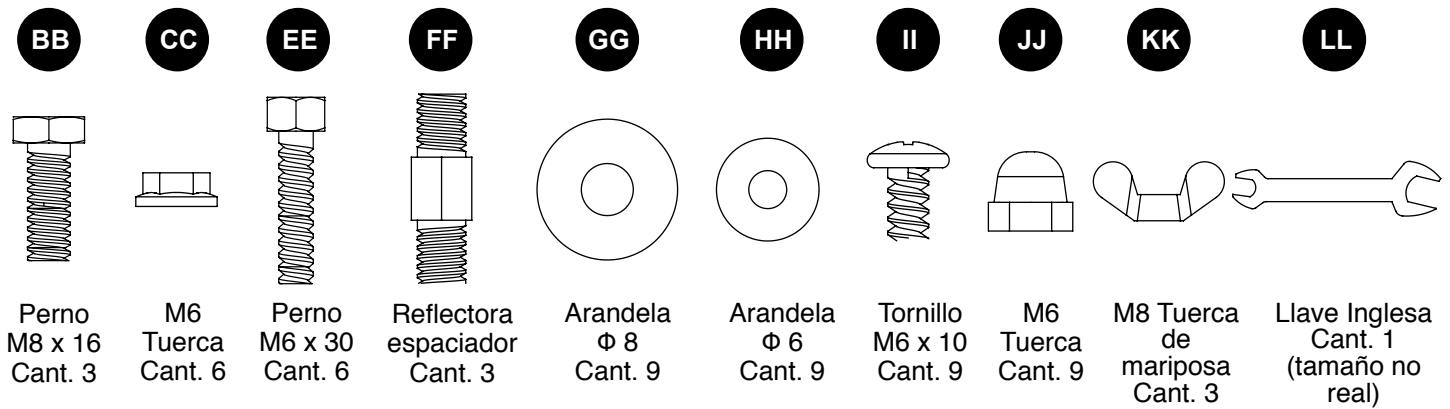
¿Preguntas, problemas, piezas faltantes? Antes de hacer una devolución a la tienda, llame a nuestro departamento de atención al cliente 1-877-447-4768 de lunes a viernes de 8:30AM a 4:30PM, hora central estándar, o escribanos a customerservice@ghpgroupinc.com.

CONTENIDO DEL EMBALAJE



PIEZA	DESCRIPCIÓN	CANT.
A	Panel reflectora	3
B	Placa reflectora	1
C	Conjunto de la cabeza	1
D	Cilindro de vivienda	1
E	Poste	1
F	Soporte de apoyo	3
G	Basa	1
H	Kit de ruedas	1

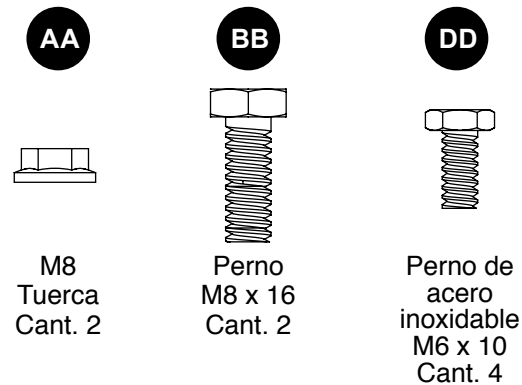
HERRAJES UTILIZADOS



INCLUIDO EN UNA BOLSA DE PLÁSTICO SEPARADA



HERRAJES ADICIONAL (PRE ENSAMBLADO)



! INFORMACIÓN DE SEGURIDAD

Por favor, lea y comprenda todo el manual intentar ensamblar, operar o instalar el producto. Este manual contiene información importante sobre el montaje, operación y mantenimiento de este calentador de patio. Información general de seguridad se presenta en estas primeras páginas, y también se encuentra en todo el manual. Guarde este manual para consultarlo en el futuro y para educar a los nuevos usuarios de este producto. Este manual debe leerse conjuntamente con el etiquetado del producto. Las medidas de seguridad son esenciales cuando cualquier equipo mecánico o que requiere combustible está involucrado. Estas precauciones son necesarias cuando se utiliza, almacenamiento y mantenimiento. El uso de este equipo con el respeto y la precaución exigido reducirá las posibilidades de lesiones personales o daños materiales. Los siguientes símbolos que se muestran a continuación se utilizan ampliamente en todo el manual. Siempre prestar atención a estas precauciones, ya que son esenciales cuando se utiliza cualquier equipo de combustible or mecánico.

! PELIGRO

PELIGRO indica una situación de PELIGRO inminente que, si no se evita, provocará la muerte o lesiones graves.

! PELIGRO

El incumplimiento de las precauciones e instrucciones proporcionadas con este calentador puede ocasionar la muerte, lesiones corporales graves y la pérdida de la propiedad o los daños causados por riesgos de incendios, explosiones, quemaduras, asfixia y / o intoxicación por monóxido de carbono. Sólo las personas que pueden entender y seguir las instrucciones deben usar o darle servicio este calentador.

! PELIGRO

POR SU SEGURIDAD

Si huele a gas:

1. Apague el gas del electrodoméstico.
2. Apague cualquier llama abierta.
3. Si el olor continua, manténgase alejado del electrodoméstico y llame inmediatamente a su proveedor de gas o a los bomberos.

INFORMACIÓN DE SEGURIDAD

PELIGRO

- EXPLOSION - PELIGRO DE INCENDIO
- Mantener los combustibles sólidos, tales como materiales de construcción, papel o cartón, a una distancia segura de las bujías según lo recomendado por las instrucciones.
- Proveer espacios libres adecuados alrededor de aperturas de aire en la cámara de combustión.
- Nunca utilice el calentador en espacios que hacen o pueden contener combustibles volátiles o transportados por el aire, o productos como gasolina, disolventes, diluyentes de pintura, partículas de polvo o químicos desconocidos.
- Durante el funcionamiento, este producto puede ser una fuente de ignición. Mantenga el área del calentador despejada y libre de materiales combustibles, gasolina, diluyente de pintura, disolventes de limpieza y otros vapores y líquidos inflamables. No use el calentador en áreas con alto contenido de polvo.
- Mínimo de espacio para al menos lateral y trasera: 40 pulgadas / 101.6cm, techo 28 pulgadas / 71.12cm.

PELIGRO

- EXPLOSION - PELIGRO DE INCENDIO
- Nunca almacene el propano cerca de calor, llamas, luces piloto, luz solar directa, otras fuentes de encendido o donde las temperaturas superan los 120 grados F (49 ° C).
- Vapores de propano son más pesados que el aire y pueden acumularse en lugares bajos. Si huele a gas, abandone el área inmediatamente.
- Nunca instalar o quitar el cilindro de propano, mientras el calentador esté encendido, cerca de las llamas, luces piloto, otras fuentes de encendido o mientras el calentador está caliente al tacto.
- Este calentador está al rojo vivo durante su uso y puede encender artículos inflamables demasiado cerca del quemador. Mantenga inflamables por lo menos lateral y trasera: 40 pulgadas / 101.6cm, techo 28 pulgadas / 71.12cm de los reflectores de la estufa. Mantenga la gasolina y otros líquidos inflamables y vapores bien lejos de calentador.
- Guarde el cilindro de propano al aire libre en un espacio bien ventilado, fuera del alcance de los niños. Nunca almacene el cilindro de propano en un lugar cerrado (casa, garaje, etc.). Si el calentador se va a guardar en el interior, desconecte el tanque de propano para el almacenamiento interior.

ADVERTENCIA

No podemos prever cada uso que pueda hacerse de nuestros calentadores. Consulte con su autoridad local de seguridad contra incendios si tiene preguntas sobre el uso del calentador. Otras normas rigen el uso de gases combustibles y productos que producen calor para usos específicos. Sus autoridades locales pueden aconsejarle acerca de estos. Si no existen códigos locales, siga National Fuel Gas Code, ANS Z223.1. En Canadá, la instalación debe cumplir con los códigos locales. Si no existen códigos locales, siga las actuales normas nacionales de Canadá CAN/CGA-B 149.2.

PELIGRO

- PELIGRO DE MONÓXIDO DE CARBONO
- Este calentador es un aparato de combustión. Todos los aparatos de combustión producen monóxido de carbono (CO) durante el proceso de combustión. Este producto está diseñado para producir extremadamente minuto, no son PELIGRO sos si se utilizan cantidades de CO y mantenido de acuerdo con todas las instrucciones y ADVERTENCIA. No bloquee el flujo de aire hacia dentro o fuera de el calentador.
- El Monóxido de Carbono (CO), envenenamiento produce síntomas similares a la gripe, ojos llorosos, dolores de cabeza, mareos, fatiga y posiblemente la muerte. Usted no se puede verlo y no se puede oler. Es un asesino invisible. Si estos síntomas están presentes durante el funcionamiento de este producto que entre aire fresco inmediatamente!
- Sólo para uso al aire libre.
- Nunca use dentro de edificios, garajes u otras áreas sin ventilación ni cerradas.
- Este calentador consume aire (oxígeno). No lo use en áreas sin ventilación ni cerradas para evitar poner en PELIGRO su vida.

ADVERTENCIA

ADVERTENCIA indica una situación de PELIGRO inminente que, si no se evita, provocará la muerte o lesiones graves.

! INFORMACIÓN DE SEGURIDAD

! ADVERTENCIA

No almacene ni use gasolina u otros vapores o líquidos inflamables en los alrededores de este u otro electrodoméstico. Ningún tanque de gas propano que no esté conectado para su uso debe almacenarse en los alrededores de este u otro electrodoméstico.

! ADVERTENCIA:

Para uso en exteriores únicamente.

! PELIGRO



PELIGRO DE MONÓXIDO DE CARBONO

Este electrodoméstico puede producir monóxido de carbono, el cual no tiene olor. Su utilización en un espacio cerrado puede ocasionarle la muerte. Nunca utilice este electrodoméstico en un espacio cerrado tal como una caravana, carpa, auto o casa.

! ADVERTENCIA

Instalación incorrecta, ajuste, modificación, servicio o mantenimiento pueden ocasionar lesiones o daño a la propiedad. Consulte el manual de información para el usuario suministrado con este electrodoméstico. Para asistencia o información adicional consulte a un instalador cualificado, agencia de servicio o al proveedor de gas.

! ADVERTENCIA

RIESGO DE QUEMADURAS

- Nunca deje el calentador desatendido cuando está caliente o en uso.
- Mantener fuera del alcance de los niños.

! ADVERTENCIA

ADVERTENCIA almacena debajo del calentador, serán sometidos a calor radiante y podrían dañarse seriamente.

! PRECAUCIÓN

SEGURIDAD DE SERVICIO

- Mantenga todas las conexiones y accesorios limpios. Hasegurese que la salida de la válvula del cilindro de propano esté limpio.
- Durante el montaje, verifique fijas con todas las conexiones y accesorios usando agua con jabón. Nunca use una llama.
- Utilice sólo como un aparato de calefacción. Nunca altere en cualquier forma o utilizar con cualquier dispositivo.

! PRECAUCIÓN

PRECAUCIÓN indica una situación de PELIGRO inminente que, si no se evita, podría causar lesiones personales leves o moderadas, o daños a la propiedad.

! ADVERTENCIA

Este producto y los combustibles utilizados para poner en funcionamiento este producto (gas natural o propano líquido), y los productos de la combustión de tales combustibles, pueden exponerlo a sustancias químicas como el benceno que, según el estado de California puede provocar cáncer y daños reproductivos.

Para obtener más información, visite www.p65Warnings.ca.gov

⚠ ADVERTENCIA

- Teste producto utiliza combustible de gas propano. El gas propano es invisible, inodoro e inflamable. Un odorante normalmente se añade para ayudar a detectar fugas y puede ser descrito como un olor a “huevo podrido”. El odorante se desvanecen con el tiempo por lo que una fuga de gas no siempre es detectable por el olor solamente.
- El gas propano es más pesado que el aire y fugas de gas propano se hundirá al nivel más bajo posible. Se puede encender por las fuentes de ignición, incluyendo fósforos, encendedores, chispas o llamas abiertas de cualquier tipo muchos pies de distancia de la fuga inicial. Use solamente gas propano configurado para extraer el vapor.
- Almacene o utilice gas propano debajo del cumplimiento de las ordenanzas y códigos locales o con la ANS/NFPA 58. Apague el propano cuando no esté en uso.

⚠ ADVERTENCIA

- De alerta a niños y adultos a los **PELIGRO** de las altas temperaturas de la superficie. Manténgase alejado de estas superficies para evitar la quema de la piel o encender la ropa.
- Supervisar cuidadosamente a los niños pequeños cuando en las proximidades del calentador.
- No cuelgue ropa o cualquier otro material inflamable del calentador, o encima o cerca del calentador.
- Reemplace cualquier protector o dispositivos de protección quitados debido a que el servicio del aparato antes de poner de nuevo en servicio.
- Instalación y reparación debe ser realizado por un técnico calificado. El calentador debe ser inspeccionado antes de su uso y anualmente por un técnico calificado.
- Más limpieza frecuente puede ser necesaria. Es imperativo que el compartimiento de control, quemadores, y circulando paso de aire del aparato se mantengan limpios.

PREPARACIÓN

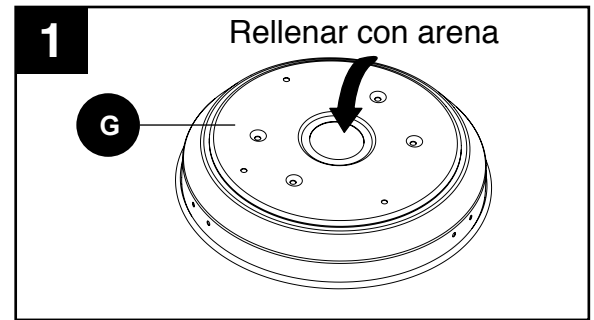
Antes de comenzar el ensamblaje de este producto, asegúrese de que están todas las piezas. Compare las piezas con la lista de contenido del embalaje y contenido de herrajes de arriba. Si falta alguna pieza o está dañada, no intente ensamblar el producto. Contacte al servicio de atención al cliente para solicitar piezas de repuesto.

Tiempo estimado de ensamblaje: 45 minutos

Herramientas necesarias para el ensamblaje (no incluidas):
Destornillador Phillips, Solución para detección de fuegas, Arena.


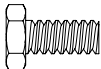
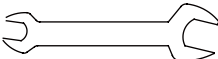
INSTRUCCIONES DE ENSAMBLAJE

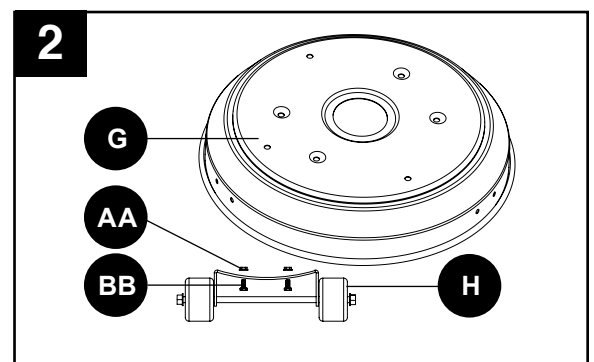
1. Para mejorar la estabilidad, la base (G) debe llenarse con arena. Retire la tapa del centro de la base (G). Vierta lentamente la arena en la base (G). Agite la base (G) para dispersar a arena igualmente. Cierre la tapa con fuerza.



2. Una el kit de ruedas (H) a la base (G). El kit de ruedas (H) ya tiene dos pernos M8 x 16 (BB) y dos tuercas hexagonales M8 (AA) pre-instalados. Desenrosque los pernos (BB) de estas tuercas (AA). Alinee los orificios en el kit de ruedas (H) con los agujeros correspondientes en la base (G). Inserte dos pernos M8 x 16 (BB) a través de los orificios, y apriete con los dedos las dos tuercas hexagonales M8 (AA). Asegúrese de que el kit de ruedas (H) esté paralelo a la base (G), y apriete los pernos completamente.

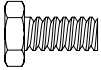
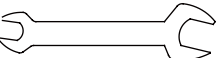
Herrajes utilizados

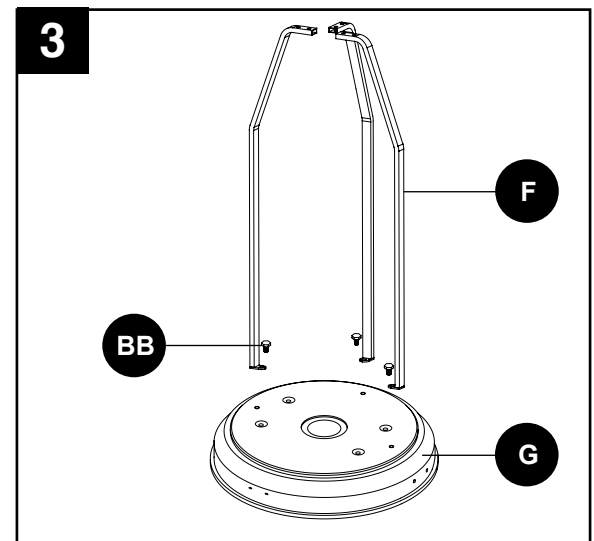
AA	M8 Tuerca		x 2
BB	Perno M8 x 16		x 2
LL	Llave Inglesa		



3. Fije flojamente tres soportes de apoyo (F) a la base (G) con tres tornillos M8 x 16 (BB) hacia abajo a través de los soportes de apoyo (F) en la base (G).


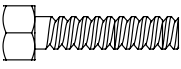
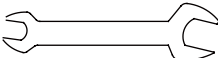
Herrajes utilizados

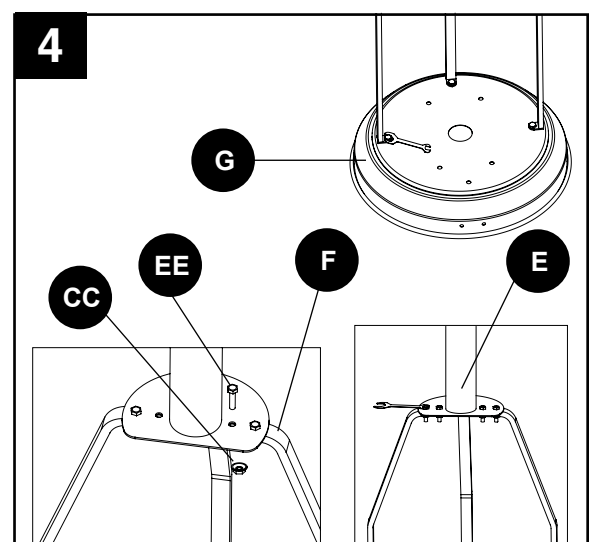
BB	Perno M8 x 16		x 3
LL	Llave Inglesa		



4. Fije el poste (E) para apoyar los soportes (F) utilizando seis pernos M6 x 30 (EE) y seis tuercas de brida M6 (CC). Apriete completamente todos los tornillos, incluyendo los que están en la base (G).

Herrajes utilizados

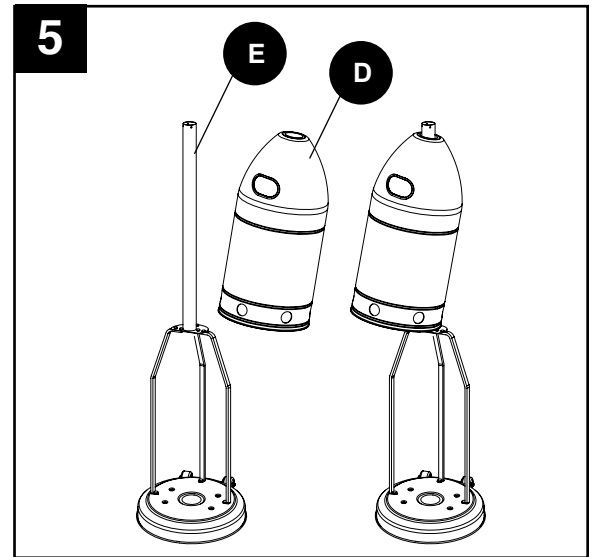
CC	M6 Tuerca		x 6
EE	Perno M6 x 30		x 6
LL	Llave Inglesa		



INSTRUCCIONES DE ENSAMBLAJE

5. Cargar el Cilindro de Vivienda (D) en el poste (E).
Deslice el Cilindro de vivienda (D) hacia abajo.

NOTA: si usted compró una mesa auxiliar por separado, consulte el manual pertinente ahora. Si no consulta ese manual ahora, tendrá que desensamblar la unidad para agregar la mesa auxiliar.

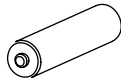


6. Desenrosque la perilla de ignición (marcados con un a (C)).
Inserte la batería AAA (MM) con el extremo positivo (+) hacia afuera. Sustituir el encendedor de la perilla.

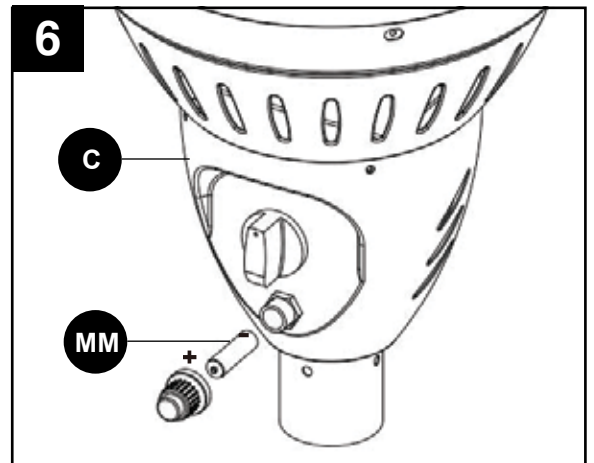
Herrajes utilizados

MM

AAA Baterías



x 1



El encendido electrónico requiere 1 pila alcalina "AAA", que está incluido.

⚠ ADVERTENCIA

NO mezcle baterías viejas y nuevas.


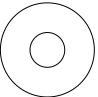
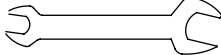
NO mezcle baterías alcalinas, estándar (carbono- zinc), o pilas (recargables de níquel-cadmio).

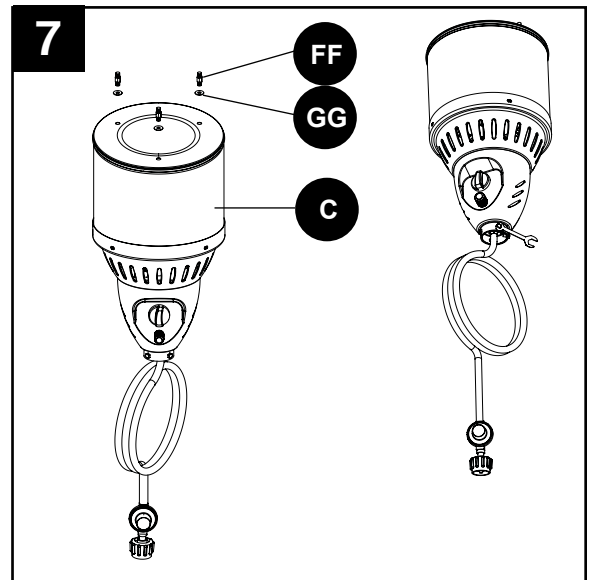
NO arroje las baterías al fuego. La eliminación inadecuada puede causar baterías fugas o explosiones.

INSTRUCCIONES DE ENSAMBLAJE

7. Coloque espaciadores de reflectores (FF) y tres arandelas Φ 8 (GG) a la cubierta en el conjunto de la cabeza (C). Apriete los espaciadores de reflectores (FF).

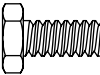
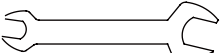
Herrajes utilizados

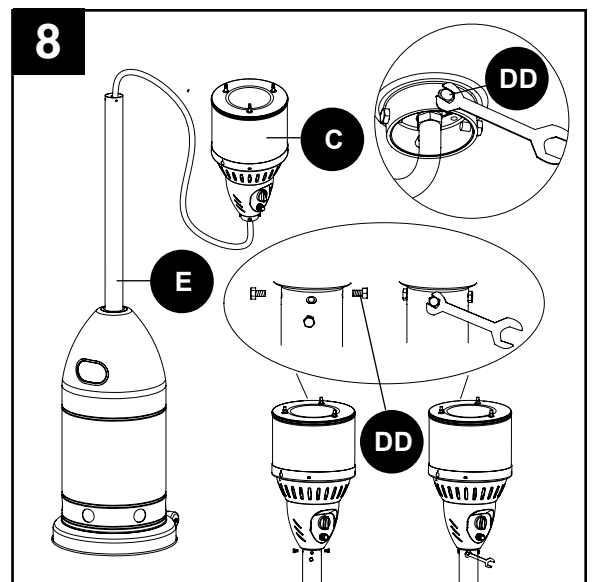
FF	Reflectora espaciador		x 3
GG	Arandela Φ 8		x 3
LL	Llave Inglesa		



8. Debería haber 4 pernos M6 x 10 de acero inoxidable (DD) ya instalados en el conjunto de la cabeza (C). Quite estos pernos de acero inoxidable (DD) y colóquelos a un lado. Arme el conjunto de la cabeza (C) insertando la manguera en el poste (E). Inserte el conjunto de la cabeza (C) en el poste (E). Una el conjunto de la cabeza (C) al poste (E) insertando sin apretar los cuatro pernos M6 x 10 de acero inoxidable (DD) que quitó anteriormente. Apriete bien los pernos.

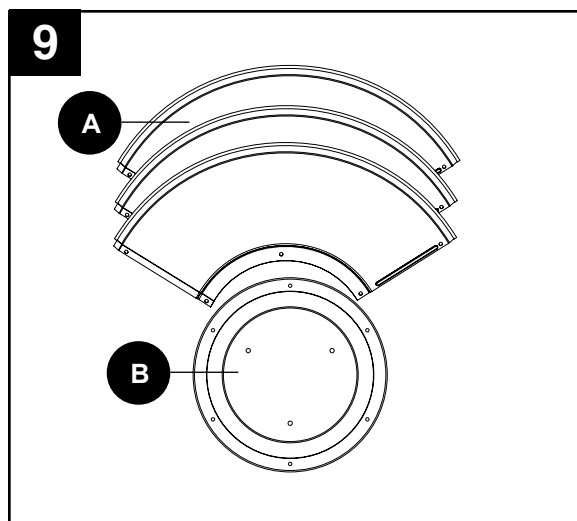
Herrajes utilizados

DD	Perno de acero inoxidable M6 x 10		x 4
LL	Llave Inglesa		



INSTRUCCIONES DE ENSAMBLAJE

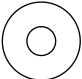
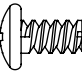

9. Retire los paneles de reflectores (A) y la placa reflectora (B) del empaque.
ADVERTENCIA: Retire la cubierta protectora de plástico antes de montar.

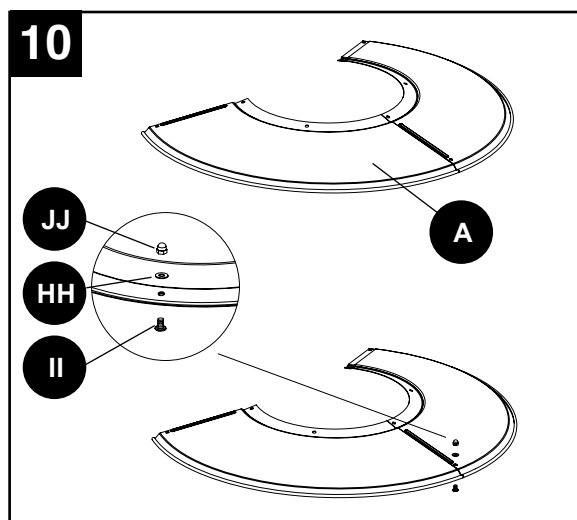


10. Deslice los dos paneles reflectores (A) juntos. Inserte un tornillo M6 x 10 (II). Deslice una arandela 6 (HH) sobre el extremo roscado del tornillo M6 x 10 (II) y el tornillo de M6 tuerca ciega (JJ) sin apretar. Junte el tercer panel en ambos lados de los dos paneles ya unidas utilizando dos más tornillos M6 x 10 (II), dos más Φ 6 arandelas (HH), y dos más tuercas M6 (JJ).

Nota: Para la correcta alineación de los paneles reflectores, tenga pernos sueltos hasta que todas las partes están juntos y luego apriete.


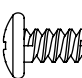

Herrajes utilizados

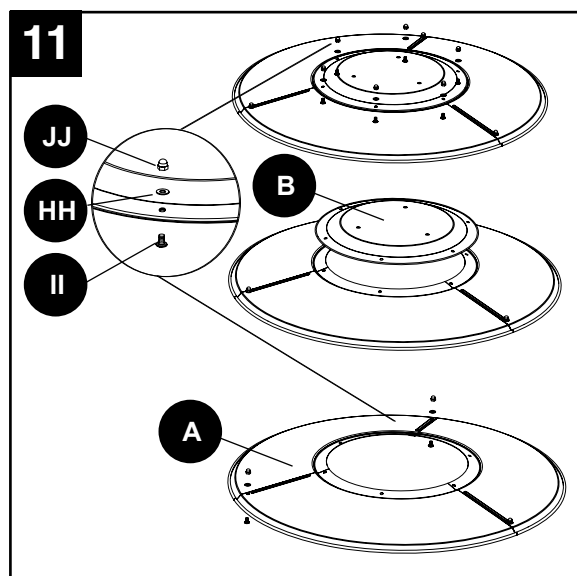
HH	Arandelas Φ 6		x 3
II	Tornillo M6 x 10		x 3
JJ	M6 Tuerca		x 3



11. Deslice la placa reflectora (B) sobre los paneles reflectores (A). Inserte un tornillo M6 x 10 (II). Deslice una arandela Φ 6 (HH) sobre el roscado extremo del tornillo M6 x 10 (II) y el tornillo de M6 tuerca ciega (JJ) sin apretar. Repita el procedimiento para completar el montaje de las tres secciones. Apriete completamente todos los tornillos en el borde enrollado.

Herrajes utilizados


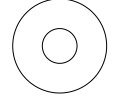


HH	Arandelas Φ 6		x 6
II	Tornillo M6 x 10		x 6
JJ	M6 Tuerca		x 6

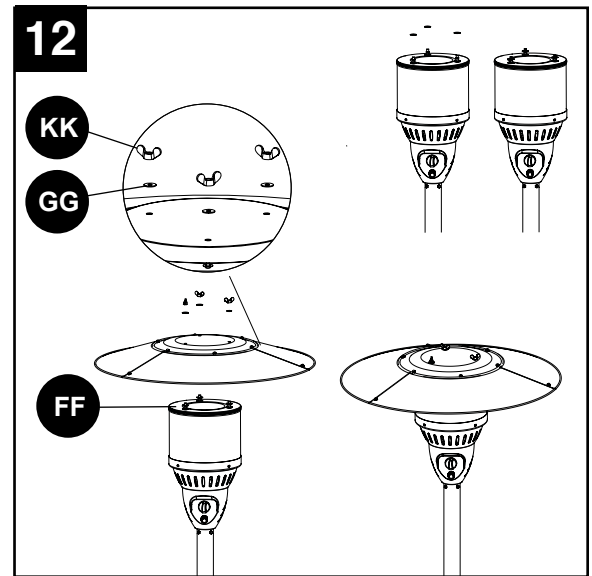


INSTRUCCIONES DE ENSAMBLAJE

12. Mantenga el calentador fijo mientras desliza tres arandelas Φ 8 (GG) sobre el extremo roscado del espaciador del reflector (FF). Posicione el conjunto del reflector en tres de los espaciadores (FF). Instale tres arandelas Φ 8 (GG) en los espaciadores de reflector (FF) y apriete las tuercas de mariposa M8 (KK) pero no en exceso.

Herrajes utilizados

	Arandela Φ 8		x 6
	M8 Tuerca de mariposa		x 3



13. **NOTA: si tiene una mesa auxiliar por separado, siga las instrucciones a continuación para cambiar o acceder al tanque de gas propano.**

Para cambiar o acceder al tanque de gas propano, será necesario desatornillar completamente la tuerca, y mover la mesa y la tuerca hasta la parte superior del mástil. Ajuste ligeramente. Use la ayuda de otra persona para sostener la carcasa del cilindro mientras usted manipula el tanque de gas propano.

Conecte el regulador y el conjunto de la manguera (RR) al tanque de propano (no incluido). El gas propano y el cilindro se venden por separado.

CONEXIÓN DE CILINDRO DE GAS

Utilice sólo cilindros de 20 libras (Aproximadamente 18 ¼ pulgadas de alto y 12 ¼ pulgadas de diámetro) equipadas con un dispositivo de conexión de cilindro compatible con la conexión para artefactos para cocinar al aire libre. El cilindro debe incluir un collarín para proteger la válvula del cilindro. El cilindro de gas no se debe caer o manejar más o menos!

Minima Presión de suministro de gas: 5.0 psi / 35 kPa Máxima Presión de suministro de gas: la presión de la botella. Presión mínima de entrada de alimentación: 11.0 in.W.C 2.74 kPa -LPG.

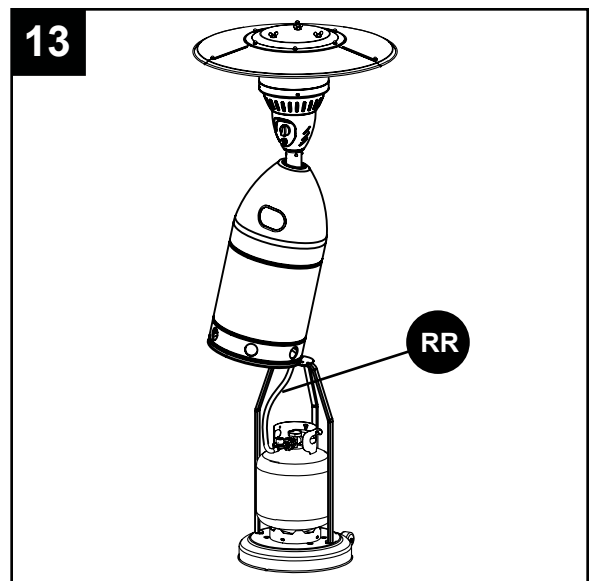
Almacenamiento de un aparato interior sólo si el cilindro se desconecta y se retira del artefacto.

Un cilindro debe ser almacenado al aire libre en un área bien ventilada fuera del alcance de los niños.

Un cilindro desconectado debe tener tapas guardapolvo bien apretados y no debe ser almacenado en un edificio, garaje o cualquier otra área cerrada.

Un mínimo de 17.000 BTU / H / 4.98KW por hora es la clasificación de entrada requerida para un calentador con una calificación inferior a la máxima.

El conjunto de regulador de presión y manguera suministrado con el aparato debe ser utilizado. La instalación debe cumplir con los códigos locales, o en ausencia de códigos locales, con el código de combustible nacional de gas, ANS Z223.1 / NFPA54, el gas natural y el Código de instalación de gas propano, CSA B149.1, o el almacenamiento de propano y código de manejo, B149. 2.



INSTRUCCIONES DE ENSAMBLAJE

Un tanque de propano dentado, oxidado o dañado puede ser PELIGROSO y debe ser revisado por su suministrador de gas. Nunca utilice un tanque de propano con una válvula de conexión dañada.

El tanque de propano debe estar construido y marcado de acuerdo a las especificaciones establecidas para los tanques de gas propano por el Departamento de Transporte de los Estados Unidos (U.S. Department of Transportation (DOT)) o CAN/CSA-B339 del estándar para tanques, esferas y tubos para el transporte de mercancía y comisión PELIGROsas.

El tanque debe tener un dispositivo de prevención de llenado.

El tanque debe tener un dispositivo de conexión compatible con la conexión del calentador.

El tanque debe incluir un collarín para proteger la válvula del tanque.

Nunca conecte un tanque de propano no regulado con este calentador.

Antes de la conexión, asegúrese de que no hay restos atrapados en la salida del cilindro de gas, entrada de la válvula reguladora o en la salida de los puertos del quemador y los quemadores.

Conecte la válvula de regulación y ajústela firmemente con la mano. Mantenga la válvula del tanque de gas propano cerrada y desconecte el tanque de la válvula de regulación cuando el artefacto no esté en uso.

NO obstruya la circulación del aire de combustión ni la ventilación de aire del fogón.

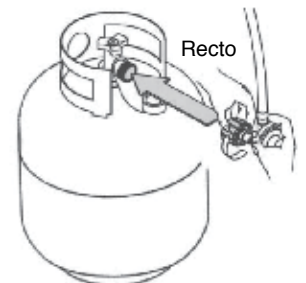
El tanque de propano debe colocarse de tal manera que sea un dispositivo de extracción de vapor y debe estar equipado con un dispositivo de protección de sobrellenado.

NOTA: el tanque debe estar completamente en posición vertical para que el tanque libere únicamente vapor.



CONEXIÓN DEL TANQUE DE GAS PROPANO

1. La perilla del tanque de gas propano debe estar cerrada. Asegúrese de que la perilla está completamente girada hacia la derecha ↷.
2. Verifique que la perilla de control en la unidad de control esté apagada.
3. Remueva el tapón protector de la válvula del tanque y la tuerca de acoplamiento.
4. Sujete el regulador en una mano e inserte la boquilla roscada en la salida de la válvula. Asegúrese de que la boquilla esté centrada en la salida de la válvula. La tuerca de acoplamiento se conecta a las roscas grandes exteriores en la salida de la válvula. Tenga cuidado de no dañar ni colocar descentradas las roscas de la conexión.
5. Apriete la tuerca de acoplamiento con la mano girando hacia la derecha ↷ hasta que se detenga completamente. Apriete firmemente únicamente con la mano. No utilice herramientas.



PARA DESCONECTAR

Cierre completamente la válvula del tanque girando hacia la derecha ↷. Gire la tuerca de acoplamiento girando hacia la izquierda ↶ hasta que se separe el ensamblaje del regulador.

PRECAUCIÓN:

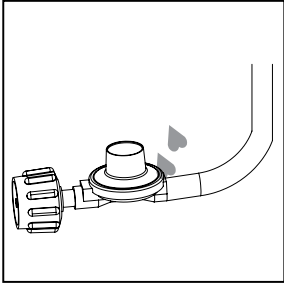
- No almacene un tanque de gas propano de repuesto debajo o cerca de este electrodoméstico.
- Nunca llene el tanque por encima del 80% de su capacidad.
- Coloque un tapón anti polvo sobre la salida de la válvula del tanque siempre que no esté en uso. En la salida de la válvula del tanque solamente instale el tipo de tapón anti polvo que se suministra con la válvula del tanque. Otros tipos de tapas o tapones pueden causar fugas de propano.
- Ciertos materiales o artículos cuando se almacena en el calentador, serán sometidos a calor radiante y podrían dañarse seriamente.

INSTRUCCIONES DE USO

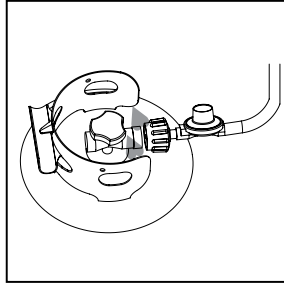
VERIFICACIÓN DE FUGAS

⚠ ADVERTENCIA

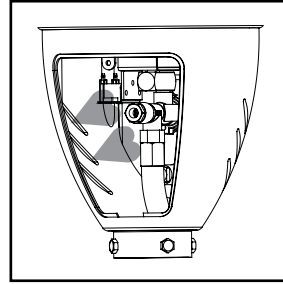
- Realice todas las pruebas de fugas al aire libre.
- Apague todos los fuegos abiertos.
- NUNCA realice una prueba de fugas mientras fuma.
- No utilice el fogón antes de haber realizado una verificación de fugas en todas las conexiones y que no tengan fugas.



Conexión de la manguera / regulador



Entrar regulador / botella



Manguera / Control grifo de conexión

1. Prepare 2-3 onzas de solución para la verificación de fugas (una parte de detergente lavaplatos y tres partes de agua).
2. Coloque la solución para fugas en un frasco de aerosol.
3. Asegúrese de que la válvula del tanque y la válvula de control estén "Apagadas".
4. Aplique varias gotas de solución donde la manguera se une al regulador.
5. Aplique varias gotas de solución donde el regulador se conecta con el tanque.
6. Aplique unas gotas de la solución en la que el tubo se conecta a la válvula de control de gas.
7. ENCENDER la válvula del tanque.

Si aparecen burbujas en alguna de las conexiones entonces hay una fuga.

1. APAGUE la válvula del tanque.
2. Si la fuga se encuentra en la conexión de la manguera con el regulador, debe devolver el regulador y el conjunto de la manguera (RR) a la tienda donde los compró.
3. Si la fuga está en la conexión del regulador con el tanque: desconecte, vuelva a conectar y realice otra prueba de fugas. Si sigue viendo burbujas después de varios intentos, la válvula del tanque está defectuosa y debe devolverla a la tienda donde compró el tanque.
4. Si la fuga se encuentra en la conexión de la manguera con la válvula de control del gas: ajuste la conexión y realice otra prueba de fugas. Si siguen apareciendo burbujas, debe devolver el regulador y el conjunto de la manguera (RR) y el conjunto del cabezal (C) a la tienda donde los compró.

Si NO aparecen burbujas en ninguna de las conexiones, las conexiones son seguras.

Nota: Siempre que se aflojen o remuevan las conexiones, usted debe realizar una prueba de fugas completa.

INSTRUCCIONES DE USO

⚠ PELIGRO

- PELIGRO DE MONÓXIDO DE CARBONO
- Sólo para uso en exteriores. Nunca use adentro de edificios, garajes o otras áreas sin ventilación ni cerradas. Este calentador consume aire (oxígeno). No lo use en áreas sin ventilación ni cerradas para evitar poner en PELIGRO su vida.

Precaución: No intente la puesta en funcionamiento antes de haber leído y comprendido toda la información de seguridad general en este manual, haber completado el ensamblaje y que se hayan realizado las pruebas de fugas.

Antes de encender el suministro de gas:

1. Su calentador fue diseñado y aprobado sólo para uso al aire libre. NO lo use en el interior de un edificio, garaje o cualquier otra área cerrada.
2. Asegúrese de que los alrededores estén libres de materiales combustibles, gasolina, y otros vapores o líquidos inflamables.
3. Asegúrese de que las ventilaciones de aire no estén obstruidas. Asegúrese de que todas las conexiones de gas estén apretadas y que no hay fugas.
4. Asegúrese de que la cubierta del tanque esté libre de escombros. Asegúrese de que cualquier componente que se haya removido durante el ensamblaje o mantenimiento sea reemplazado y fijado antes de comenzar.

Antes de encender:

1. El calentador debe ser inspeccionado a fondo antes de cada uso, y una persona de servicio calificada por lo menos anualmente. Si vuelven a re-encender un calentador caliente, espere siempre al menos 5 minutos.
2. Inspeccione que no haya evidencias de abrasión, cortes o desgaste del regulador y el conjunto de la manguera (RR). Debe comprobar que no haya fugas en áreas sospechosas. Si la manguera tiene fugas, debe reemplazarse antes de la puesta en funcionamiento. Solo utilice el regulador y el conjunto de la manguera (RR) de repuesto especificados por el fabricante.

Encendido:

Nota: Este calentador está equipado con una luz piloto que permite inicios y apagados más seguros. Piloto debe estar encendido antes del quemador principal puede ser iniciado.

1. Gire la perilla de control a la posición "APAGADO" (O).
2. Abra completamente la válvula del tanque de gas.
3. Abra el pozo de engrase deslizando la cubierta hacia ambos lados (Figura 1).

PRECAUCIÓN: No toque o mueva esta parte mientras la unidad está en funcionamiento. La unidad está caliente cuando se opera. Siempre use una herramienta para deslizar la tapa abierta.

4. Presione y gire la perilla de control hacia la izquierda para "PILOTO" (⚡) (Figura 2).

Nota: Para el arranque inicial o después de cualquier cambio de cilindro, mantenga la perilla de control apretada no más de 2 minutos o hasta que huele a gas para purgar el aire de las tuberías de gas antes de continuar.

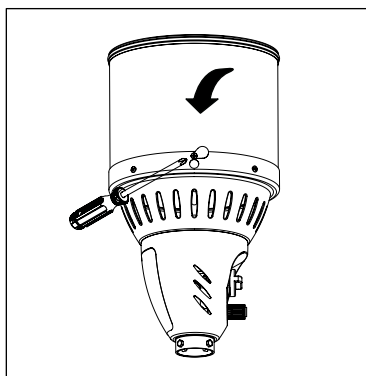


Figura 1

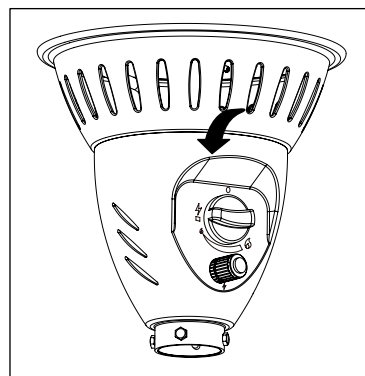


Figura 2

INSTRUCCIONES DE USO

5. Pulse el botón electrónico de encendido hasta que la luz del piloto es visible a través del agujero de visión.
6. Una vez que el piloto se encienda, continúe a deprimir la perilla de control durante 30 segundos.
7. Si el piloto no permanece encendido, repita los pasos 4 a 6.
8. Si después de repetir los pasos 4 al 6 de unidad no se enciende, entonces
 - Presione la perilla de control y gire a la izquierda para "PILOTO" (⚡) (Figura 3).
 - Mientras esta deprimiendo la perilla de control, coloque el encendedor de tall largo (no incluido) en el orificio de visión en el conjunto de la cabeza para encender el piloto (Figura 4).
 - Repita paso 6.

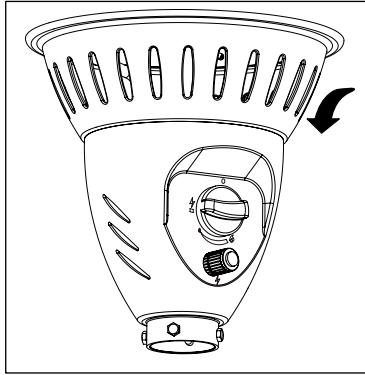


Figura 3

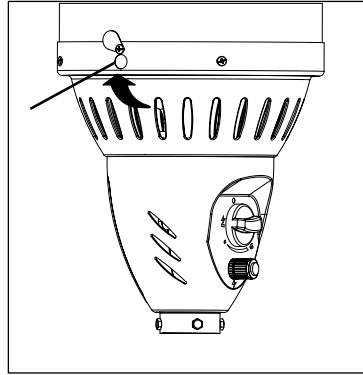


Figura 4

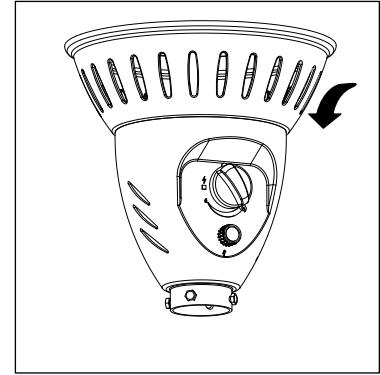
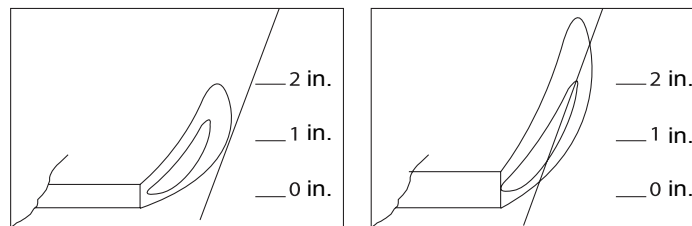


Figura 5

9. Presione y gire la perilla de control a "BAJO" (⬇️), a continuación, suelte la perilla de control. Si desea una temperatura más alta, presione la perilla de control y gire a la izquierda a "ALTO" (⬆️) (Figura 5).

Nota: Si la llama piloto no permanece encendida, todas las válvulas deben cerrarse y esperar un período de por lo menos de 5 minutos antes de intentar de encender.



Normal

Anormal

Si experimenta algún problema de encendido consulte "Solución de problemas" en la página 40.

Precaución: Evite la inhalación de vapores emitidos desde el primer uso del calentador. Aparecerá humo y el olor de la quema de aceites utilizados en la fabricación. Tanto el humo y el olor se disiparán después de aproximadamente 30 minutos. El calentador no debe producir un espeso humo negro.

Nota: El quemador puede ser ruidoso cuando se enciende inicialmente. Para eliminar el ruido excesivo del quemador, gire la perilla de control a la posición PILOTO. Luego, gire la perilla al nivel de calor deseado

Cuando el calentador a ENCENDIDO:

La pantalla del transmisor será de color rojo brillante debido al intenso calor. El color es más visible por la noche. Quemador mostrará lenguas de luz azul y amarillo. Las llamas no deben ser de color amarillo o producir un espeso humo negro. Esto indica que hay una obstrucción de aire a través de los quemadores. La llama debe ser azul con recta punta amarilla. Si se detecta exceso de llama amarilla, apague el calentador y compruebe el " Resolución de problemas "en la página 40.


INSTRUCCIONES DE USO

PELIGRO

POR SU SEGURIDAD

Tenga cuidado al intentar encender manualmente este calentador. Apretando y sosteniendo al perilla de control durante más de 10 segundos antes de encender el gas provocará una bola de fuego al encenderse.

Re-encender:

Nota: Para su seguridad, la perilla de control no se puede apagar "APAGADO" (O) sin antes depresionar la perilla de control en la posición "PILOTO" () y luego girar en "APAGADO" (O).


1. Ponga la perilla de control en "APAGADO" (O).
2. Espere al menos 5 minutos para que se disipe el gas antes de intentar a volver encender la llama piloto.
3. Repita los pasos "Re-encender" en la página anterior.

ADVERTENCIA

POR SU SEGURIDAD

Calentador estará caliente después de su uso. Manejar con cuidado extremo.

Apagar:

1. Gire la perilla de control hacia la derecha para "PILOTO" (). (Normalmente, quemador hará un ligero chasquido cuando extinguido.) Quemador se apagará pero PILOTO permanecerá en ENCENDIDO.
2. Para extinguir PILOTO, oprima la perilla de control y continuar a girar a la derecha para "APAGADO" (O).
3. Gire la válvula del cilindro en sentido horario en APAGADO y desconecte el regulador cuando el calentador no está en uso.

Nota: Después de su uso, alguna decoloración de la pantalla emisor y la llama es normal.

Lista de chequeo de Operación

Para una experiencia de calefacción segura y placentera, realizar esta comprobación antes de cada uso.

Antes de operar:

1. Conozca totalmente el manual del propietario y entienda todas las precauciones señaladas.
2. Todos los componentes estén correctamente ensamblados, intactos y operables.
3. No se han hecho alteraciones.
4. Todas las conexiones de gas están seguras y no presenten fuga.
5. La velocidad del viento es inferior a 10 mph/8,046 kmh.
6. Unidad operará con una eficiencia reducida por debajo de 40°F/4°C.
7. Calentador está al aire libre (fuera de cualquier recinto).
8. Hay una ventilación adecuada de aire fresco.
9. Hay una pila AAA en el encendedor eléctrico y la batería es nueva.

INSTRUCCIONES DE USO

10. El calentador está lejos de gasolina o otros líquidos o vapores inflamables.
11. El calentador está lejos de ventanas, aberturas de entrada de aire, aspersores y otras fuentes de agua.
12. Calentador es de al menos 40 pulgadas/101.6 cm de lado, al menos 40 pulgadas/101.6 cm en la parte trasera y, al menos, 28 pulgadas/71.12 cm en la parte superior de los materiales combustibles.
13. El calentador está sobre una superficie no combustible, dura y nivelada.
14. No hay signos de araña o nidos de insectos .
15. Todos los pasajes de los quemadores son claros.
16. Todos los pasajes de circulación de aire son claros.
17. *Los niños y los adultos deben ser alertados de los peligro de las altas temperaturas de la superficie y deben mantenerse alejados para evitar quemaduras o ropa de ignición.*
18. *Los niños pequeños deben ser supervisados cuidadosamente cuando se encuentran en el área del calentador.*
19. *Ropa o otro material de protección no deben colgarse del calentador, o colocados en o cerca del calentador.*
20. *Cualquier protección o otro dispositivo de protección eliminado debido a que el servicio del calentador debe ser reemplazados antes de hacer funcionar el calentador.*
21. *Instalación y reparación debe ser realizado por un técnico calificado. El calentador debe ser inspeccionado antes de su uso y por lo menos anualmente por un técnico calificado.*
22. *Limpieza más frecuente puede ser necesaria en caso necesario. Es imperativo que el compartimento de control, quemador y circulan conductos de aire del calentador de mantenerse limpios.*

Después de la operación

1. Válvula de control de gas está en la posición APAGADO.
2. La válvula del tanque de gas está apagada.
3. Desconecte el regulador de la manguera del cilindro de propano.

CUIDADO Y MANTENIMIENTO

⚠ ADVERTENCIA

POR SU SEGURIDAD

- No toque ni mueva el calentador durante al menos 45 minutos después de su uso.
- Reflector está caliente al tacto.
- Permita que el reflector se enfríe antes de tocarlo.

Para disfrutar de años de un rendimiento excepcional de su calentador, asegúrese de realizar las siguientes actividades de mantenimiento de forma regular:

Mantenga limpias las superficies exteriores.

1. Use agua tibia y jabón para la limpieza. Nunca utilice productos de limpieza inflamables o corrosivos.
2. Al limpiar la unidad, asegúrese de mantener el área alrededor del quemador y el conjunto del piloto seco en todo momento. No sumerja el conjunto de la válvula de control. Si el control de gas se sumerge en el agua, no lo utilice. Debe ser reemplazado.
 - a. Mantenga el área del aparato despejada y libre de materiales combustibles, gasolina y otros vapores y líquidos inflamables.
 - b. No obstruya el flujo de combustión y ventilación de aire.
 - c. Mantenga la abertura de ventilación (s) de la carcasa del cilindro libre y limpio de escombros.
3. El flujo de aire debe estar despejada. Mantenga los controles, quemador, y pasajes de aire circulante.

CUIDADO Y MANTENIMIENTO

Los signos de la posible obstrucción se incluyen:

- Hay olor a gas con extrema puntas amarillas de las llamas.
- Calentador no llega a la temperatura deseada.
- Calentador de brillo es demasiado desigual.
- Calentador hace estallar ruidos.
- Las arañas y los insectos pueden anidar en el quemador o los orificios.



Esta condición peligrosa puede dañar el calentador y deje de ser seguro para su uso. Agujeros Limpie el quemador utilizando un limpiador de tuberías de alta resistencia. El aire comprimido puede ayudar a eliminar las partículas de menor tamaño.

- Los depósitos de carbón pueden crear un PELIGRO de incendio. Limpie la pantalla de cúpula y el quemador con agua tibia y jabón si se desarrollan los depósitos de carbono.
- Verificación de la batería: Asegúrese de que la batería esté instalada antes de su uso. Saque la batería si la unidad no se utiliza durante mucho tiempo.

Nota: En un ambiente de sal al aire (como cerca de un océano), la corrosión se produce con mayor rapidez de lo normal. Revise con frecuencia para las áreas corroídas y repararlos rápidamente.

Almacenamiento

Entre usos:

- Cierre la válvula de control y la válvula del cilindro.
- Desconecte el regulador de la manguera del cilindro de propano.
- La batería debe ser retirada del dispositivo de encendido.
- Almacene el calentador en posición vertical en un área protegida del contacto directo con las inclemencias del tiempo (como la lluvia, aguanieve, granizo, nieve, polvo y escombros).
- Si lo desea, cubra el calentador para proteger las superficies exteriores y ayudar a prevenir la acumulación en los conductos de aire.

Nota: Espere hasta que el calentador esté frío antes de cubrir.

Durante los períodos de inactividad prolongado o cuando el transporte de:

- Cierre la válvula de control y la válvula del cilindro.
- Desconecte el regulador de la manguera y mover el cilindro a un lugar al aire libre seguro y bien ventilado.
- Retire la batería del encendedor.
- Almacene el calentador en posición vertical en un área protegida del contacto directo con las inclemencias del tiempo (como la lluvia, aguanieve, granizo, nieve, polvo y escombros).
- Si lo desea, cubra el calentador para proteger las superficies exteriores y ayudar a prevenir la acumulación en los conductos de aire . Nunca deje el tanque de gas se expone a la luz solar directa o calor excesivo.

Nota: Espere hasta que el calentador esté frío antes de cubrir.

Servicio

- Sólo una persona de servicio calificado debe reparar conductos de gas y componentes asociados.

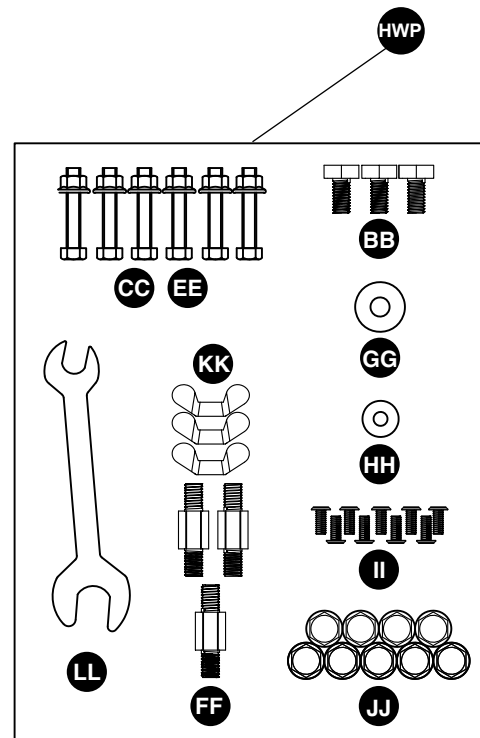
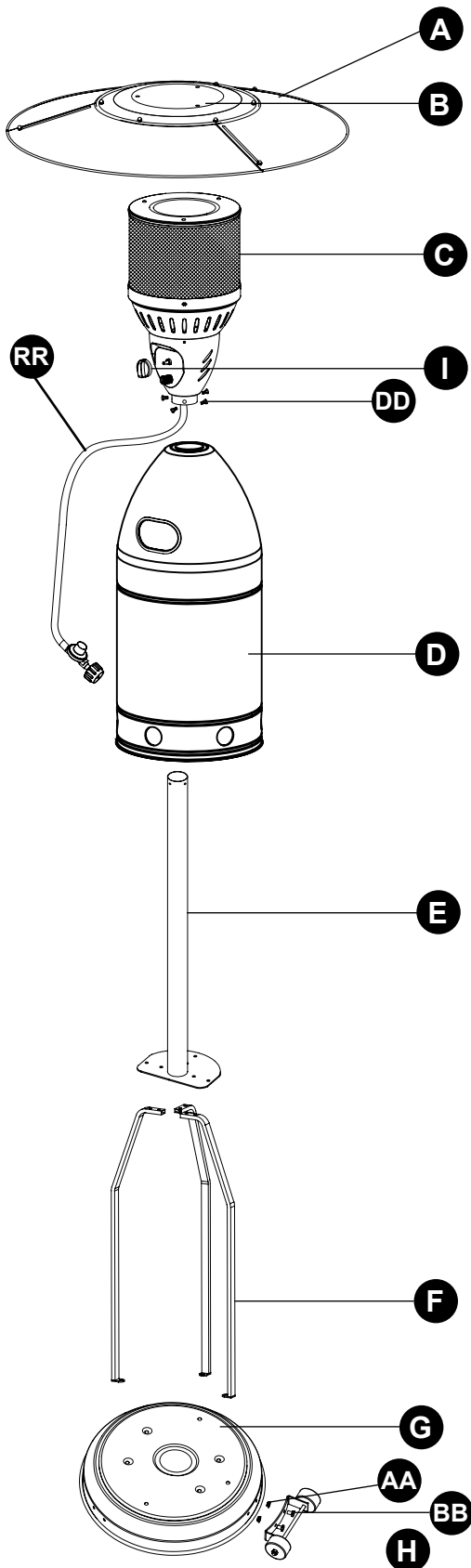
Precaución: Siempre permita que el calentador se enfríe antes de intentar el servicio.

SOLUCIÓN DE PROBLEMAS

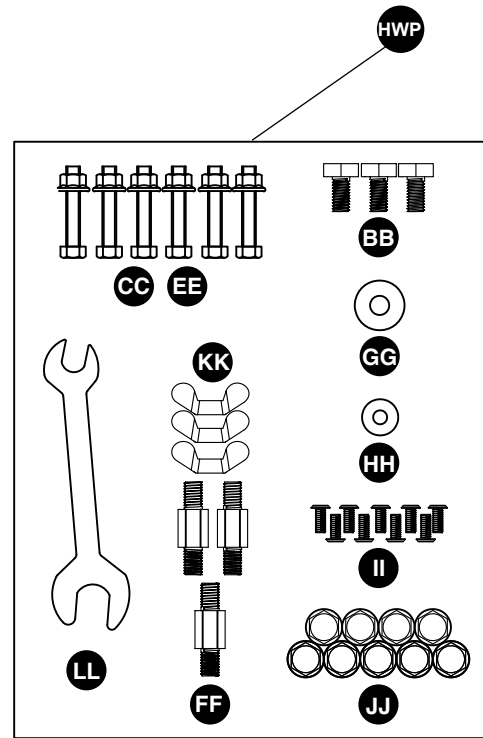
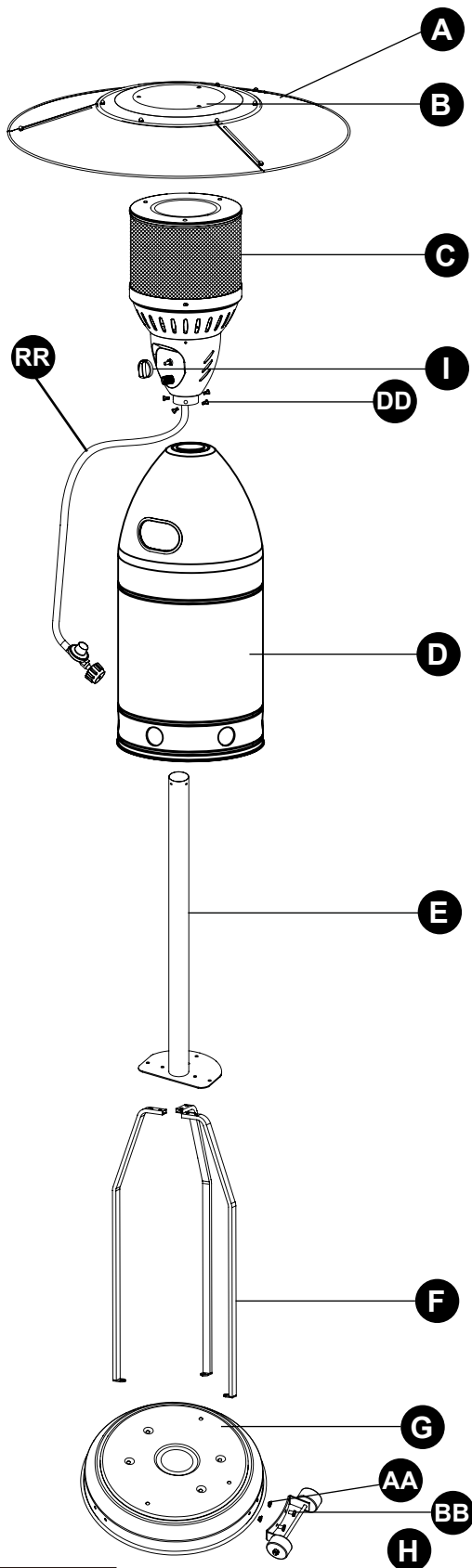
PROBLEMA	POSIBLE CAUSA	MEDIDA CORRECTIVA
La llama de piloto no enciende Nota: El calentador funciona con una eficiencia reducida por debajo de 40°F/4°C	Valvula de cilindro esta cerrada	Valvula abierta
	Obstrucción en el orificio o tubo piloto	Limpie o reemplace el orificio o tubo piloto
	Aire en la linea de gas	Línea de gas abierto y sangrar que (presionar la perilla de control en) por no más de 1 a 2 minutos o hasta que huele a gas
	Baja presión de gas con válvula del cilindro totalmente abierta	Gire cilindro APAGADA válvula y reemplace el cilindro
	Encendedor falla	Utilice fosforos para encender la llama piloto; obtener nuevos encendedores y reeplace
	Batería muerta o conexión de batería defectuosa	
Compruebe si la batería está insertada correctamente.		
Verifique que no haya corrosión alrededor de los terminales de la batería.		
Piloto no permanece encendida	Suciedad acumulada alrededor piloto	Limpie la suciedad de todo piloto
	La conexión entre la válvula de gas y el conjunto del piloto está suelto	Apriete la conexión y realizar comprobación de fugas
	Termopar no está funcionando correctamente	Reemplazar termopar
Quemador no enciendet	Cilindro de propano se congela	Espere hasta que el cilindro de propano se calienta y se descongele
	Bloqueo en orificio	Obstrucción clara
	Perilla de control no está en la posición ENCENDER	Gire la perilla de control en ENCENDER
Llama del quemador es baja	La presión del gas es baja	Gire cilindro APAGADA válvula y reemplace el cilindro
	De temperatura exterior es inferior a 40°F/4°C tanque este menos de 1/4	Use cilindro lleno
	Perilla de control totalmente ENCENDER	Compruebe quemador y orificios de bloqueo
Acumulación de carbón	Suciedad o película sobre el reflector y pantalla de llama	Limpia reflector y pantalla de llama
Grueso humo negro	Obstrucción en el quemador	Retire la obstrucción y limpie el quemador dentro y fuera

UN AÑO DE GARANTIA LIMITADA

Si este producto falla debido a defecto en materiales o fabricación dentro del primer año a partir de la fecha original de compra, lo reemplazaremos o repararemos, a nuestra discreción, gratuitamente. Para pedir repuestos u obtener mantenimiento dentro de la garantía, llame al 1-877-447-4768 de lunes a viernes de 8:30 am a 4:30 pm, hora central estándar. Esta garantía no cubre defectos causados por uso inapropiado o anormal, abuso, accidente o modificación. No seguir todas las instrucciones en el manual del propietario también invalidará esta garantía. El fabricante no se hace responsable por daños accidentales o consecuentes, o la erosión común de productos de uso al aire libre. Algunos estados no permiten la exclusión o limitación de daños accidentales o consecuentes, en cuyo caso la limitación anterior no aplica a usted. Esta garantía le otorga derechos específicos legales, y puede que usted tenga otros derechos legales que varían dependiendo del estado en que resida.



PIEZA	DESCRIPCIÓN	CANT.	PIEZA #
A	Panel reflectora	3	35-01-015
B	Placa reflectora	1	35-01-016
C	Conjunto de la cabeza	1	35-01-004
D	Cilindro de vivienda	1	35-01-005
E	Poste	1	35-01-007
F	Soporte de apoyo	3	35-01-010
G	Basa	1	35-01-025
H	Kit de ruedas	1	35-01-027
I	Perilla de control	1	30-01-021
AA	M8 Tuerca	2	35-09-001
BB	M8 Perno	2	35-09-002
DD	Perno de acero inoxidable	4	35-09-003
RR	Manguera con el regulador	1	30-01-189
HWP	Paquete de herrajes	1	35-09-501
N/A	Manual de instrucciones	1	35-10-001



PIEZA	DESCRIPCIÓN	CANT.	PIEZA #
A	Panel reflectora	3	35-01-015
B	Placa reflectora	1	35-01-016
C	Conjunto de la cabeza	1	35-01-004
D	Cilindro de vivienda	1	35-01-006
E	Poste	1	35-01-008
F	Soporte de apoyo	3	35-01-049
G	Basa	1	35-01-026
H	Kit de ruedas	1	35-01-028
I	Perilla de control	1	30-01-021
AA	M8 Tuerca	2	35-09-001
BB	M8 Perno	2	35-09-002
DD	Perno de acero inoxidable	4	35-09-003
RR	Manguera con el regulador	1	30-01-189
HWP	Paquete de herrajes	1	35-09-501
N/A	Manual de instrucciones	1	35-10-001



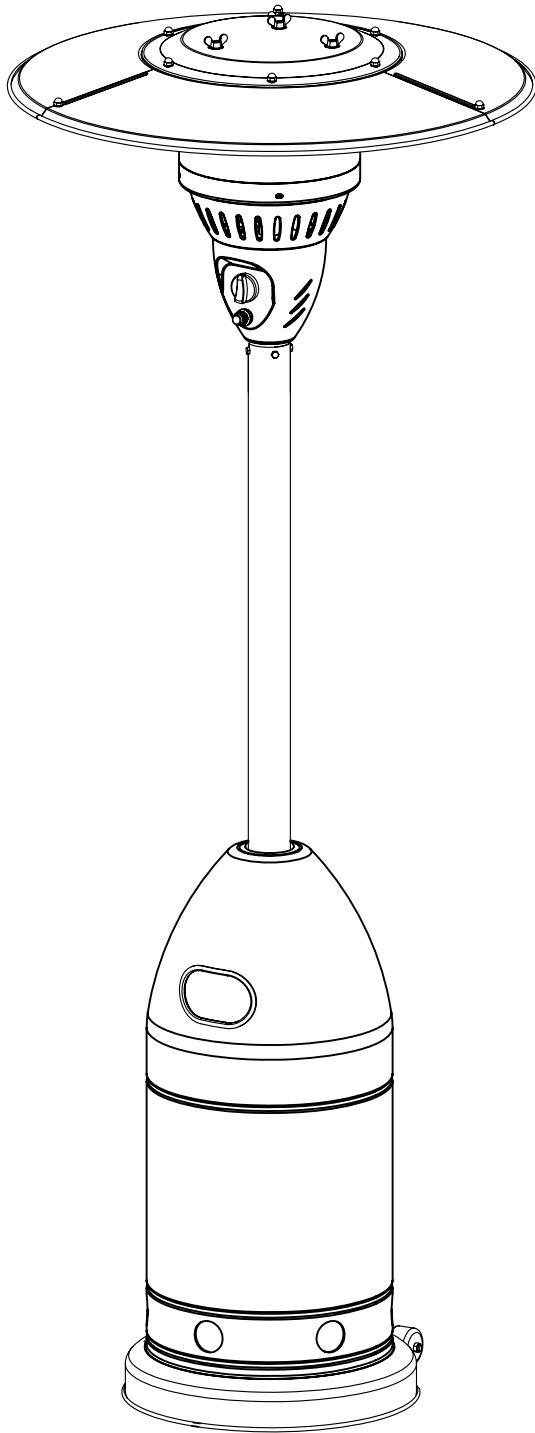
GHP Group, Inc.
 6440 W. Howard St.
 Niles, IL 60714-3302
 877-447-4768

Dyna-Glo® Le Manuel du Propriétaire

English p. 1

Español p. 22

CHAUFFERETTE
DE PATIO EXTÉRIEUR
MODÈLE #DGPH201BR
DGPH202SS



⚠ DANGER

S'il y a une odeur de gaz:

1. Coupez l'admission de gaz de l'appareil.
2. Éteindre toute flamme nue.
3. Si l'odeur persiste, éloignez-vous de l'appareil et appelez immédiatement le fournisseur de gaz ou le service d'incendie.

⚠ AVERTISSEMENT

AVERTISSEMENT indique un danger imminent qui, si pas évité immédiatement, peut aboutir à la mort ou blessure grave.

⚠ AVERTISSEMENT

Ne pas entreposer ni utiliser de l'essence ni d'autres vapeurs ou liquides inflammables dans le voisinage de l'appareil, ni de tout autre appareil. Une bouteille de propane qui n'est pas raccordée en vue de son utilisation, ne doit pas être entreposée dans le voisinage de cet appareil ou de tout autre appareil.

⚠ AVERTISSEMENT:

Pour usage à l'extérieur seulement.

⚠ AVERTISSEMENT

Une installation, un réglage, une modification, une réparation ou un entretien incorrects peuvent entraîner des dommages matériels, des blessures ou la mort. Lire attentivement les instructions d'installation, d'utilisation et d'entretien avant d'installer ou de réparer cet appareil.



ANS Z83.26-2014 • CSA 2.37-2014 Gas-Fired

Outdoor Infrared Patio Heaters

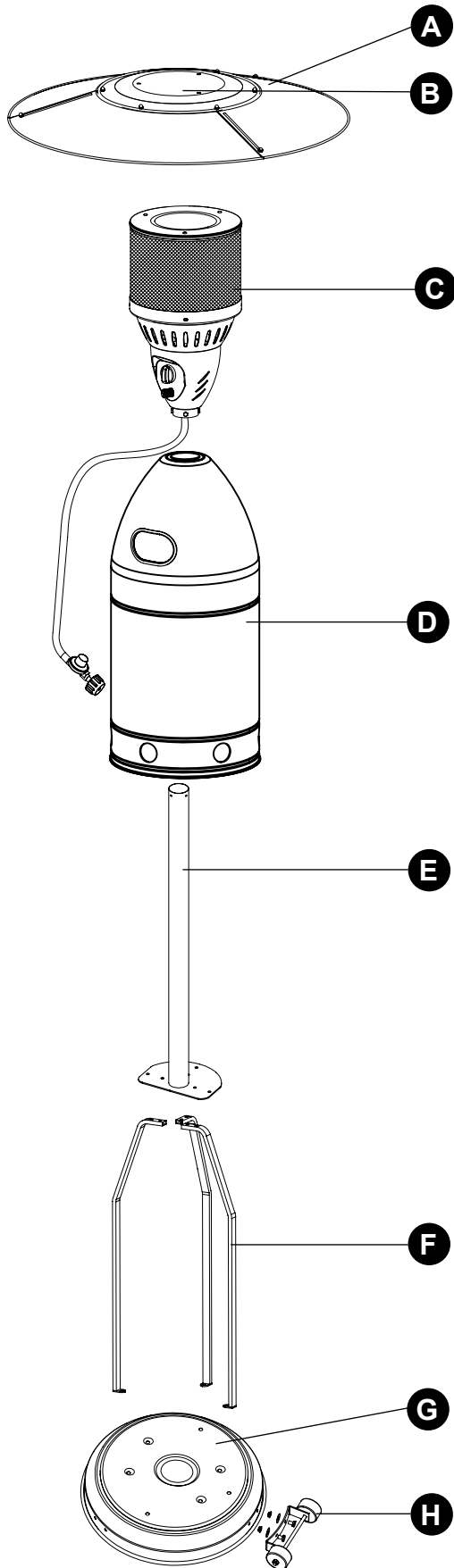
JOINDRE VOTRE REÇU ICI

Numéro de série _____ Date d'achat _____



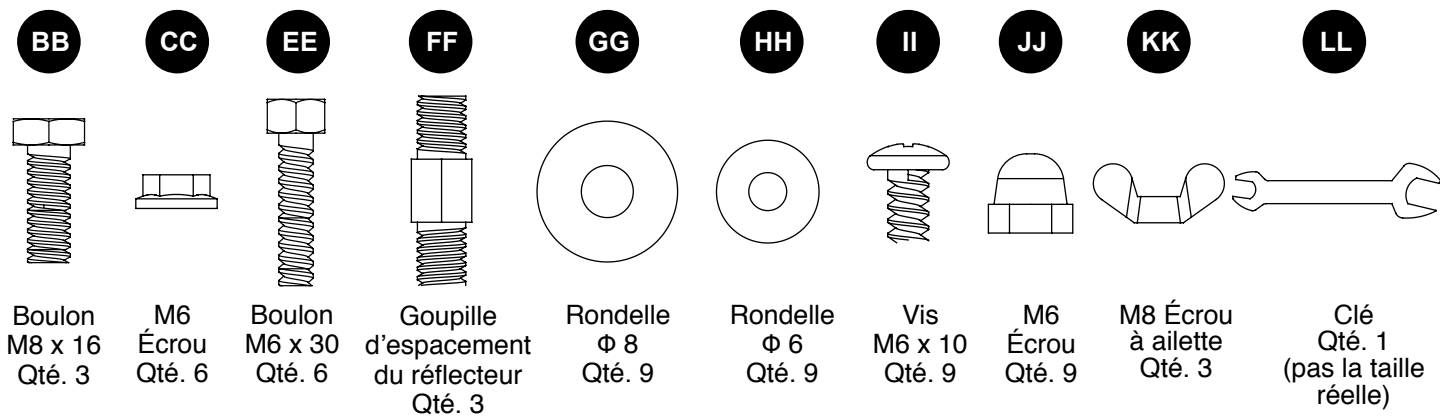
Questions, problèmes, pièces manquantes? Avant de retourner chez votre détaillant, appelez notre service à la clientèle au 1-877-447-4768, 08h30 à 16h30 HNC, du lundi au vendredi, ou contactez customerservice@ghpgroupinc.com.

CONTENU DE L'ESSEMBLAGE

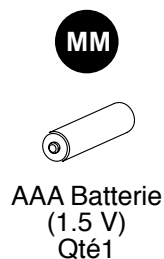


PIÈCE	DESCRIPTION	QTÉ.
A	Panneau de réflecteur	3
B	Plateau du réflecteur	1
C	Assemblage de tête	1
D	Boîtier de cylindre	1
E	Poteau	1
F	Console de support	3
G	Base	1
H	Kit des roues	1

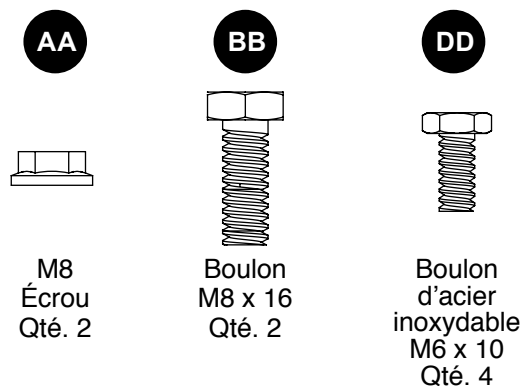
MATÉRIEL UTILISÉ



INCLUIDO EN UNA BOLSA DE PLÁSTICO SEPARADA



MATÉRIEL SUPPLÉMENTAIRE (PRÉASSEMBLÉS)



! INFORMATIONS DE SÉCURITÉ

Prière lire et comprendre ce manuel entier avant de tenter l'assemblage, l'opération ou l'installation du produit. Ce manuel contient d'importantes informations au sujet de l'assemblage, l'opération et l'entretien de cette chaufferette de patio. Les mises en garde de sécurité générales sont présentées dans les premières pages et sont identifiées partout dans ce manuel. Veuillez garder ce manuel à fins de références futures et pour éduquer les nouveaux utilisateurs de ce produit. Ce manuel devrait être lu en conjonction avec l'emballage sur ce produit. Les précautions de sauvegarde sont essentielles lorsqu'un appareil mécanique ou à propulsion au propane sont en jeu. Ces précautions sont nécessaires pendant l'usage, l'entreposage et l'entretien. L'utilisation de ce produit requiert un respect des mises en garde. Ceci réduira les possibilités de blessures ou endommagement de votre propriété. Les symboles ci-bas sont utilisés au-travers ce manuel. Toujours prendre conscience de ces mises en garde, parce qu'ils sont essentielles à l'utilisation d'équipement mécanique ou à carburant.

! DANGER

DANGER indique un danger imminent qui, si pas éviter immédiatement, peut aboutir à la mort ou blessure grave.

! DANGER

Le manque d'observer ces précautions et instructions données avec ce produit pourrait encourir la mort, blessures sévères et/ou perte de propriété ou dommage suite aux dangers du feu, explosion, brûlures, asphyxiations, et/ou empoisonnement au monoxyde de carbone. Seule les personnes qui comprennent et suivent les instructions devraient utiliser ou entretenir cette chaufferette.

! DANGER

POUR VOTRE SÉCURITÉ

Si vous sentez une odeur de gaz :

1. Coupez l'alimentation en gaz del'appareil.
2. Éteignez toute flamme nue.
3. Si l'odeur persiste, éloignez-vous de l'appareil et appelez le fournisseur de gaz ou le service des incendies immédiatement.

INFORMATIONS DE SÉCURITÉ

DANGER

- EXPLOSION – DANGER DE FEU
- Garder tout combustible solide, tel que matériaux de construction, papier ou carton, à une distance sécuritaire de cette chaufferette tel que recommandé par les instructions.
- Fournir assez d'espace devant les ouvertures de la chambre à combustion.
- N'utiliser jamais la chaufferette dans des espaces qui pourraient contenir des vapeurs volatile ou combustibles ou des produits tels la gazoline, dissolvant, décapant, particules de poussière ou chimiques inconnus.
- Pendant l'opération, ce produit peut être une source d'allumage. Garder l'aire près de la chaufferette ouverte et dégagée de toute matière combustible, gazoline, diluant pour peinture, solvants et autres vapeurs inflammables et liquides. Ne pas utiliser la chaufferette dans des endroits avec une haute teneur en matières poussiéreuses.
- Le dégagement minimal de matières combustible: côtés ou à l'arrière 40 pouces/ 101.6 cm, plafond 28 pouces/71,12 cm.

DANGER

- EXPLOSION - DANGER DE FEU
- Ne jamais entreposé du propane près d'une source de chaleur élevée, flammes vivantes, flamme pilote, soleil direct, autres sources d'allumage ou là où les températures sont élevées à 120 degrés F (49°C).
- Les vapeurs de propane sont plus lourdes que l'air et peuvent s'accumuler dans des endroits creux. Si vous sentez du gaz, sortez de l'endroit immédiatement.
- Ne jamais installer ou retirer le cylindre de propane lors de l'opération ni près de flammes, flammes pilote ou toute autre sources d'allumage ou lorsque la chaufferette est encore chaude au touché.
- Cette chaufferette est chauffée au rouge pendant l'usage et pourrait enflammer des matières flammable proches du brûleur. Garder les inflammable aux: côtés ou à l'arrière 40 pouces/ 101.6 cm, plafond 28 pouces/71,12 cm.
- Entreposé le cylindre de propane à l'extérieur dans un endroit bien ventilé et hors d'atteinte des enfants. Ne jamais entreposer le cylindre de propane dans un endroit fermé (maison, garage, etc.). Si la chaufferette doit être entreposée à l'intérieur, déconnecter le cylindre de propane pour l'entreposage.

AVERTISSEMENT

Nous ne pouvons prévoir tout usage pour lequel nos chaufferettes seront utilisées. Vérifier avec votre entité des services d'incendies si vous avez des questions au sujet de l'utilisation de chaufferette. D'autres normes gouvernent l'usage de gazes et produits à production de chaleur à usage spécifique. Votre autorité locale peut vous aviser à ce sujet. Si aucune norme n'existe, suivre le Code national d'utilisation de gaz ANS Z223.1. Au Canada, l'installation doit être conforme aux codes locaux. Si aucun code local existe, suivre les instructions du Conseil Canadien des normes CAN/CGA-B 149.2

DANGER

- DANGER D'EMPOISONNEMENT AU MONOXYDE DE CARBONE
- Cette chaufferette est un appareil à combustion. Tout appareil à combustion produit du monoxyde de carbone (CO) pendant le processus de combustion. Ce produit est conçu pour produire de très petits, molécules de CO si utilisé et entretenu conformément aux mises en garde et instructions. Ne bouché pas les entrées d'air ni les sorties d'air.
- L'empoisonnement au monoxyde de carbone (CO) produit des symptômes de grippe, yeux larmoyants, maux de tête, étourdissements, fatigue et possiblement la mort. Vous ne pouvez voir le gaz, ni le sentir. C'est le meurtrier silencieux. Si ces symptômes sont présent pendant l'opération de ce produit, sortez immédiatement à l'air frais!
- Pour l'extérieur seulement.
- Ne jamais utiliser de l'intérieur du bâtiment, un garage ou d'autres domaines clos ou sans ventilation.
- Cette chaufferette consomme de l'air (oxygène). Ne pas l'utiliser dans un lieu sans ventilation ou dans un endroit fermé afin d'empêcher une atteinte à votre propre vie.

AVERTISSEMENT

AVERTISSEMENT indique un danger imminent qui, si pas éviter immédiatement, peut aboutir à la mort ou blessure grave.

INFORMATIONS DE SÉCURITÉ

AVERTISSEMENT

Ne pas entreposer ni utiliser d'essence ou autres liquides ou vapeurs inflammables à proximité de cet appareil ou de tout autre appareil. Aucune bouteille de GPL qui n'est pas raccordée en vue de son utilisation ne doit être gardée à proximité de cet appareil ou de tout autre appareil.

AVERTISSEMENT:

Pour l'extérieur seulement.

DANGER



MONOXYDE DE CARBONE
Cet appareil peut produire du monoxyde de carbone, un gaz inodore. L'utilisation de cet appareil dans des espaces clos peut entraîner la mort. Ne jamais utiliser cet appareil dans un espace clos comme un véhicule de camping, une tente, une automobile ou une maison.

AVERTISSEMENT

RISQUE DE BRÛLURES

- Ne jamais laisser la chaufferette sans surveillance lorsque chaude ou en usage.
- Tenir hors de la portée des enfants.

AVERTISSEMENT

Certains matériaux ou items, lorsqu'entreposés sous la chaufferette, seront assujettis à la chaleur ambiante et pourrait être sérieusement endommagés.

ATTENTION

SAUVEGARDE D'ENTRETIEN

- Garder toute connexions et équipement propres. S'assurer que l'ouverture de la valve du cylindre est propre.
- Lors de l'installation, vérifier que toutes les connexions et équipement pour des fuites en utilisant de l'eau savonnée. Ne jamais utiliser une flamme.
- Utiliser seulement la chaufferette. Ne pas altérer ou utiliser avec un autre dispositif.

ATTENTION

AVERTISSEMENT indique un danger imminent qui, si pas évité immédiatement, peut aboutir à la mort ou blessure grave.

AVERTISSEMENT

Une installation, un réglage, une modification, une réparation ou un entretien incorrects peuvent entraîner des dommages matériels, des blessures ou la mort. Lire attentivement les instructions d'installation, d'utilisation et d'entretien avant d'installer ou de réparer cet appareil.

AVERTISSEMENT

Ce produit et les combustibles utilisés pour le faire fonctionner (propane liquide ou gaz naturel), de même que les produits de leur combustion, peuvent vous exposer à des substances chimiques comme le benzène, reconnu par l'État de la Californie comme causant le cancer et des problèmes de reproduction.

Pour plus de renseignements, visitez le www.p65Warnings.ca.gov

AVERTISSEMENT

- Ce produit est opéré par l'entremise du gaz propane. Le gaz propane est invisible, sans odeur et inflammable. Un parfum est souvent ajouté afin d'aider au dépistage de fuites et peut être décrit comme étant l'odeur d'ouf pourri. L'odorant peut s'affaiblir à la longue et une fuite de gaz n'est pas toujours détectable à son odeur.
- Le gaz propane est plus lourd que l'air et une fuite de propane va sombrer au niveau le plus bas. Il peut s'enflammer via une source de flammèches telle allumettes, briquets, flammèches ou flammes de toutes sortes à plusieurs pieds de la fuite originale. Se servir seulement de gaz propane avec rétraction de vapeur.
- Entreposer ou utiliser le gaz propane conformément avec les décrets et codes locaux ou avec ANS/NFPA 58. (Liquefied Petroleum Gas Code – Code de gaz pétrole liquéfié). Fermer le propane hors usage.

AVERTISSEMENT

- **Avertir les enfants et adultes aux dangers des surfaces à haute température. S'éloigner de ces surfaces afin d'éviter de se brûler la peau ou d'enflammer son linge.**
- **Superviser de jeunes enfants aux alentours de la chaufferette.**
- **Ne pas accrocher des articles de linge ou tout autre matériel inflammable sur la chaufferette ou placer sur ou près de la chaufferette.**
- **Remettre tout garde-fou ou dispositif de protection après entretien de l'appareil avant de remettre l'appareil en marche.**
- **Toute installation et réparation doivent être faites par un spécialiste d'appareils de ce genre.**
- **La chaufferette devrait être inspectée avant l'usage et annuellement par un réparateur qualifié. Un entretien plus fréquent peut être nécessaire. Il est impératif que le compartiment de contrôle, les brûleurs et les passages d'air de l'appareil soient gardés propres.**

PRÉPARATION

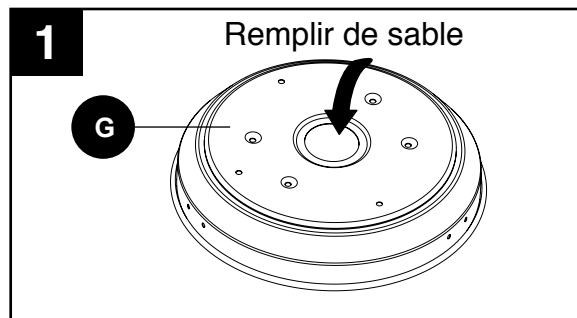
Avant de commencer l'assemblage de l'appareil, assurez-vous d'avoir toutes les pièces. Pour vous en assurer, référez-vous à la liste des pièces répertoriées ci-dessus. Si des pièces sont manquantes ou défectueuses, n'essayez pas d'assembler l'appareil. Veuillez contacter le service à la clientèle afin d'obtenir des pièces de remplacement.

Estimation du temps d'assemblage: 45 minutes

Les outils nécessaires à l'assemblage sont (non inclus) :
Tournevis Phillips, Solution de détection de fuite, le sable.

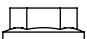
INSTRUCTIONS DE MONTAGE

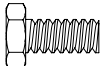
1. Afin de stabiliser, la base (G) doit être remplie de sable. Enlever le couvercle du centre de la base (G). Verser le sable doucement tout en secouant la base (G) pour étendre le sable au niveau. Serrer le couvercle fermement.



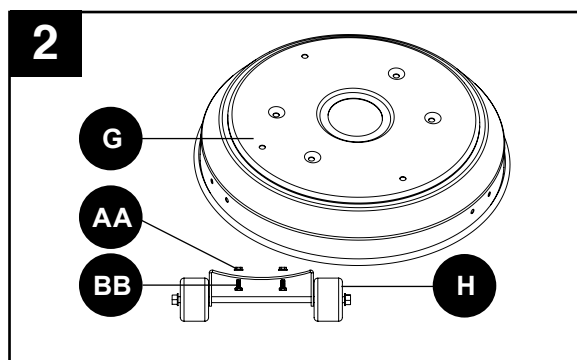
2. Fixez le kit des roues (H) à la base (G). Le kit des roues (H) est déjà doté de deux boulons M8 x 16 (BB) et deux écrous à flasque M8 (AA) préassemblés. Dévissez les boulons (BB) de ces écrous (AA). Alignez les trous dans le support du kit des roues (H) avec les trous correspondants dans la base (G). Insérez les deux boulons M8 x 16 (BB) dans les trous et serrez les deux écrous à flasque M8 (AA) à la main. Vérifiez que les roues (H) sont parallèles à la base (G) et serrez les boulons à fond.

Matériel utilisé

AA M8 Écrou  x 2

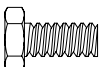
BB Boulon M8 x 16  x 2

LL Clé 

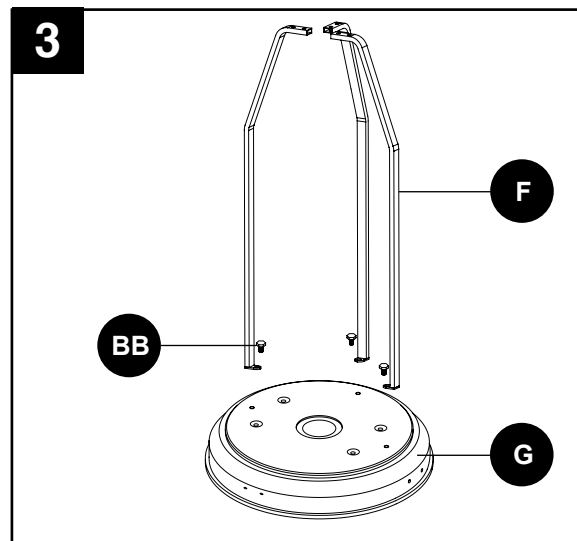


3. Sans serrer, attacher trois supports (F) à la base (G) avec trois boulons M8x16 (BB) vers le bas et au-travers les supports (F) dans la base (G).

Matériel utilisé

BB Boulon M8 x 16  x 3


LL Clé 



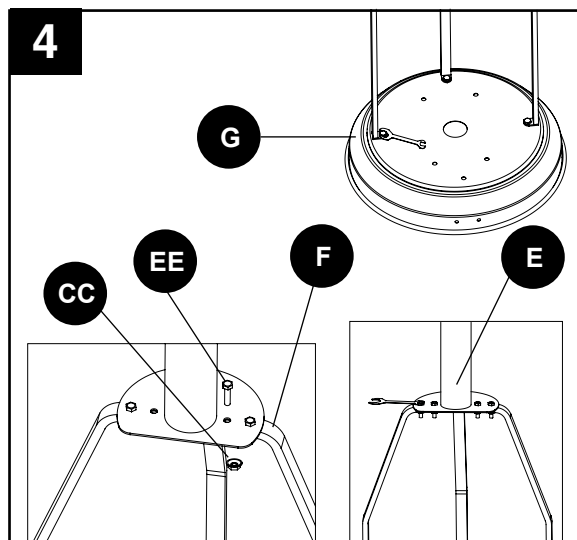
4. Attacher le poteau (E) aux supports (F) en utilisant six boulons M6x30 (EE) et six écrous à ailettes(CC). Serrer fermement les visses incluant ceux de la base (G).

Matériel utilisé

CC M6 Écrou  x 6

EE Boulon M6 x 30  x 6

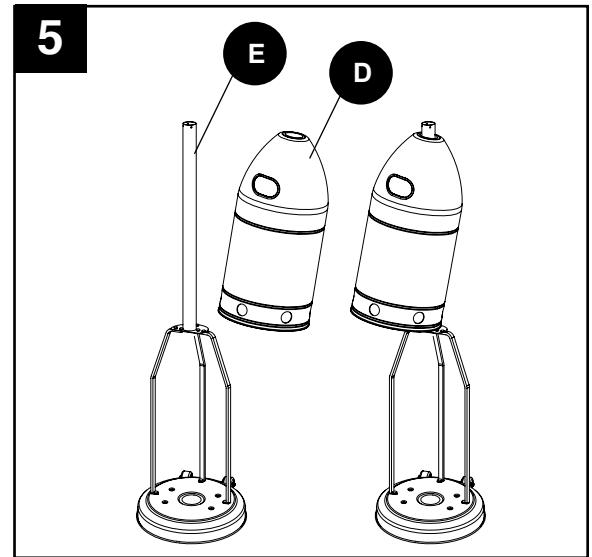
LL Clé 



INSTRUCTIONS DE MONTAGE

5. Mettre le boîtier du cylindre (D) sur le poteau (E).
Faire glisser le boîtier du cylindre (D) vers le bas.

REMARQUE : Si vous vous êtes procuré un plateau séparément, reportez-vous plutôt au guide de ce plateau. Faute de suivre les instructions du guide en question, vous devrez désassembler l'appareil avant de fixer le plateau.

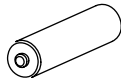


6. Dévisser le bouton d'allumage (marqué avec un symbole d'éclair) du panneau de contrôle sur l'assemblage de tête (C). Insérer la pile AAA (MM) avec l'embout positif (+) vers l'extérieur. Replacer le bouton d'allumage.

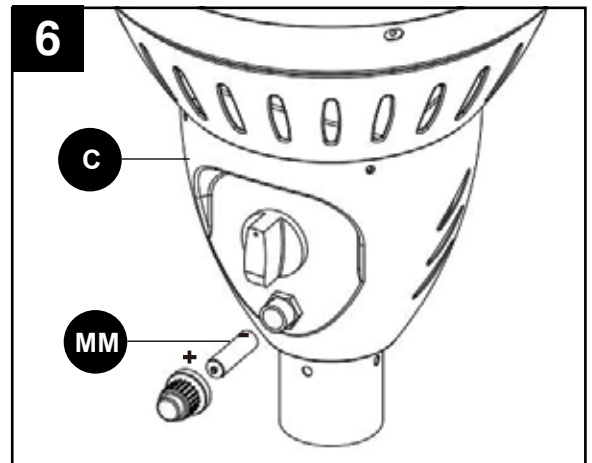
Herrajes utilizados

MM

AAA Batterie



x 1



L'allumage électronique nécessite une pile "AAA" alcaline 1, qui est inclus.

⚠ AVERTISSEMENT

NE PAS mélanger de vieilles piles avec des nouvelles.

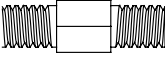
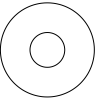
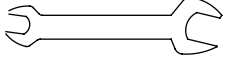
NE PAS mélanger les piles alcaline, les piles standard (carbone-zinc) ou rechargeables (Nickel-Cadmium).

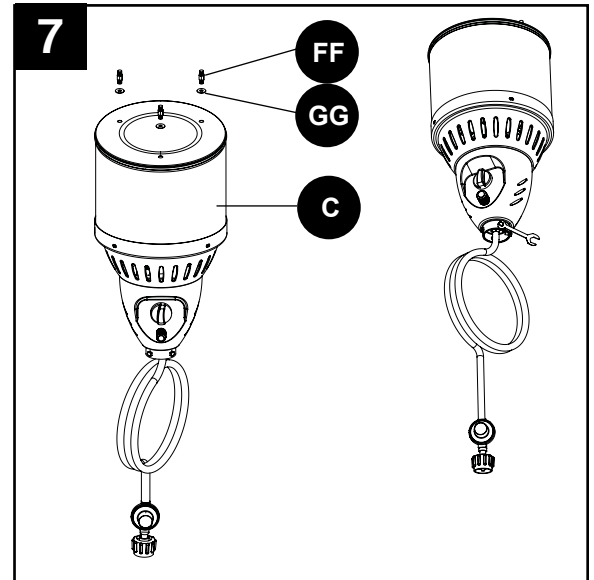
NE PAS disposer une pile dans le feu. Ne pas jeter les piles aux déchets car elles pourraient couler ou exploser.

INSTRUCTIONS DE MONTAGE

7. Attacher les boulons d'espacement du réflecteur (FF) et trois rondelles Ø8 (GG) au couvert de l'assemblage de la tête de l'écran (C). Serrer les boulons d'espacement du réflecteur (FF).

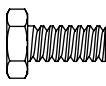
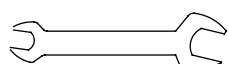
Matériel utilisé

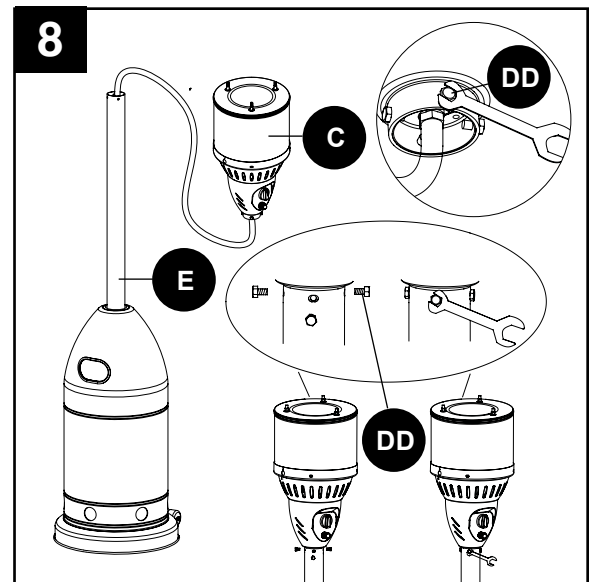
FF	Goupille d'espacement du réflecteur		x 3
GG	Rondelle Ø 8		x 3
LL	Clé		



8. Quatre boulons en acier inoxydable M6 x 10 (DD) devraient déjà être fixés dans l'assemblage de tête (C). Enlevez ces boulons en acier inoxydable (DD) et mettez-les de côté. Chargez l'assemblage de tête (C) en insérant le tuyau dans le poteau (E). Insérez l'assemblage de tête (C) dans le poteau (E). Fixez la tête (C) au poteau (E) en insérant les quatre boulons en acier inoxydable M6 x 10 (DD) retirés précédemment. Serrez les boulons à fond.

Matériel utilisé

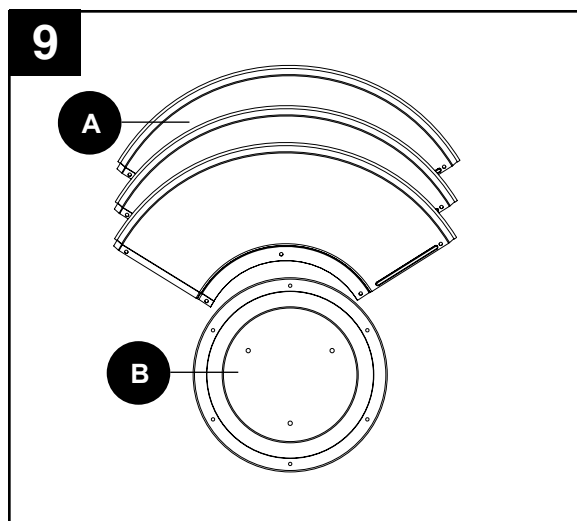
DD	Boulon d'acier inoxydable M6 x 10		x 4
LL	Clé		



INSTRUCTIONS DE MONTAGE

9. Retirer les panneaux de réflecteur (A) et les plateaux de réflecteur (B) de l'emballage.

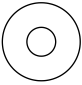
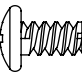

AVERTISSEMENT: Retirer le couvert de protection en plastique avant l'assemblage.

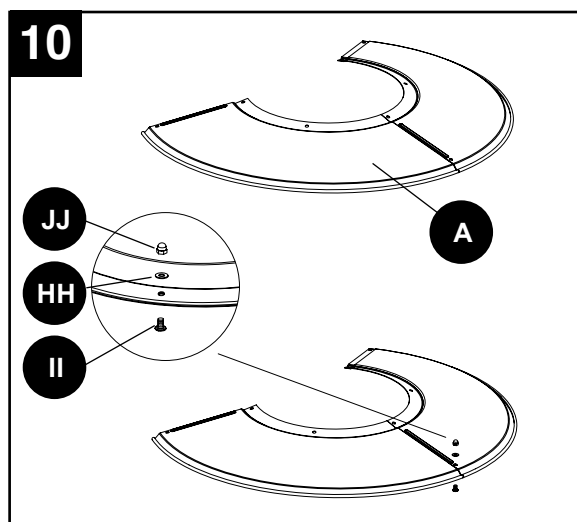


10. Glisser deux panneaux de réflecteur (A) ensemble. Insérer une visse M6 X10 (II). Glisser une rondelle Φ 6 (HH) sur les filaments de la visse M6 x 10 (II) et enfiler le capuchon de l'écrou M6 (JJ) sans serrer. Attacher le troisième panneau aux deux autres côtés en utilisant deux autres visse M6X10 (II), deux autres rondelles Φ 6 (HH) et deux autres capuchon d'ailerettes M6 (JJ).

Note: Pour assurer un alignement parfait des panneaux réflecteurs, garder les écrous et boulons jusqu'à tous les morceaux sont assemblés. Ensuite serrer les touts.

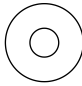


Matériel utilisé

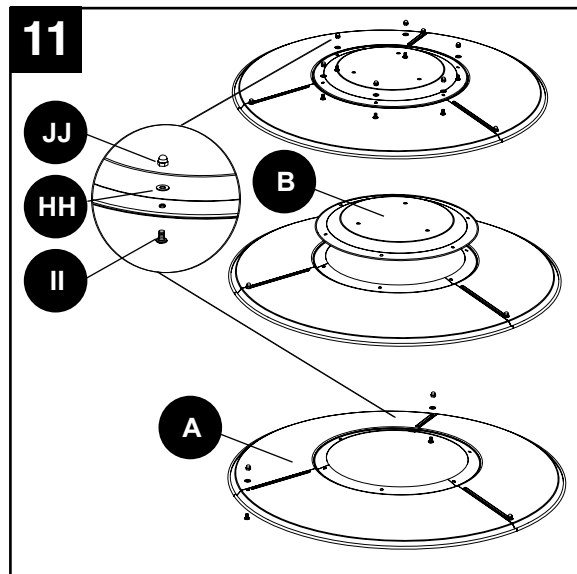
HH	Rondelle Φ 6		x 3
II	Vis M6 x 10		x 3
JJ	M6 Écrou		x 3



11. Faire glisser le plateau de réflecteur (B) sur les panneaux de réflecteur (A). Insérer une visse M6X10 (II). Glisser une rondelle Φ 6 (HH) sur les filaments du bout de la visse M6x10 (II) et visser sur un écrou taraudé M6 (JJ) mais ne pas serrer. Répétez la procédure pour finir l'assemblage des trois sections. Serrer toutes les visse se trouvant dans la section roulée.

Matériel utilisé

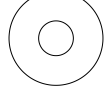

HH	Rondelle Φ 6		x 6
II	Vis M6 x 10		x 6
JJ	M6 Écrou		x 6

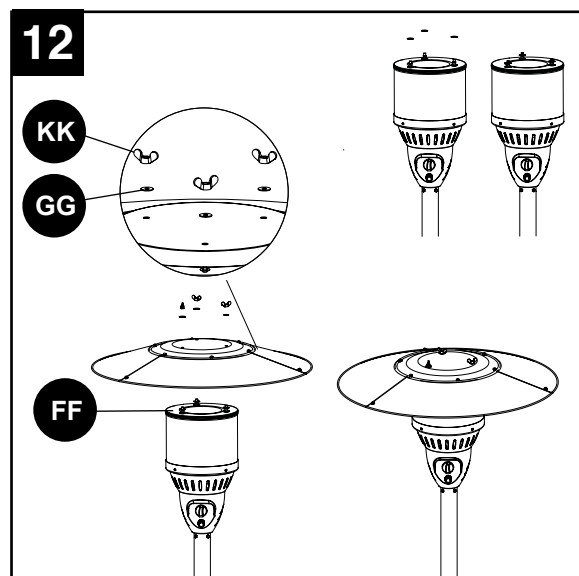


INSTRUCTIONS DE MONTAGE

12. Maintenez le réchauffeur stable en glissant trois rondelles Φ 8 (GG) sur l'extrémité fileté de l'entretoise du réflecteur (FF). Ajuster l'assemblage du réflecteur par-dessus trois boulons d'espacement. Installer trois rondelles Φ 8 (GG) sur les boulons d'espacement du réflecteur (FF) et visser sécuritairement les écrous à ailettes M8 (KK), mais ne pas serrer.

Matériel utilisé

GG	Rondelle Φ 8		x 6
KK	M8 Écrou à ailette		x 3



13. **REMARQUE: Si vous possédez un plateau acheté séparément, veuillez suivre les instructions ci-dessous pour changer la bombonne de propane ou y accéder.**

Pour changer la bouteille de propane ou y accéder, vous devrez desserrer complètement l'écrou, puis le faire glisser avec le plateau vers le haut du poteau. Serrez légèrement. Demandez à une autre personne de tenir le boîtier de la bouteille de propane relevé pendant que vous accédez à la bouteille.

Raccordez le régulateur et le tuyau (RR) à la bouteille de propane (non comprise). Le gaz propane et le cylindre sont vendus séparément.

CONNEXION BOUTEILLE DE GAZ

N'utilisez que des bouteilles de 20 lb (Environ 18 ¼ pouces de haut et 12 ¼ pouces de diamètre) équipées d'un système de connexion au réservoir qui est compatible avec le régulateur du tuyau fourni avec l'appareil. La bouteille de gaz ne doit pas être abandonnée ou manipulée à peu près!

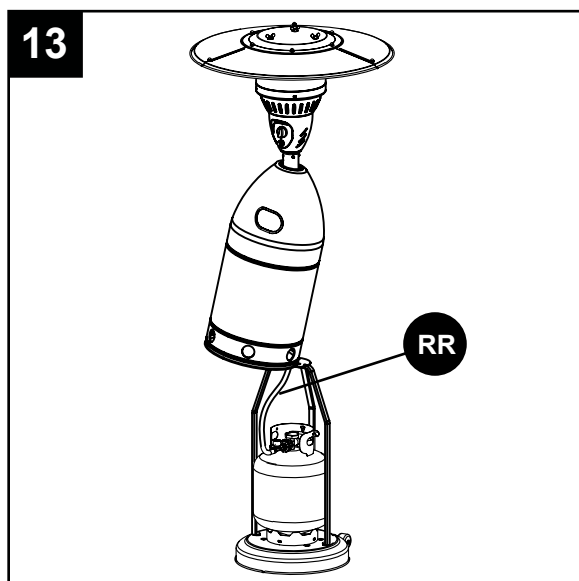
Pression d'alimentation d'entrée minimale: 5.0 psi / 35 kPa. Pression maximale d'alimentation en gaz: la pression de la bouteille. Pression d'admission: 11.0 in.W.C. / 2,74 kPa.

Stockage d'un appareil à l'intérieur est admissible que si la bouteille est débranchée et retirée de l'appareil. Une bouteille doit être entreposée à l'extérieur dans un endroit bien ventilé hors de la portée des enfants.

Un cylindre déconnecté doit avoir bouchons anti-poussière bien installés et ne doit pas être stockée dans un bâtiment, un garage ou tout autre endroit fermé.

Un minimum de 17 000 BTU / H / 4.98KW par heure est la cote d'entrée requis pour un chauffe avec une cote inférieure à plein.

L'ensemble de régulateur de pression et le tuyau fourni avec l'appareil doit être utilisé. L'installation doit être conforme aux codes locaux, ou en l'absence de codes locaux, avec le code de carburant nationale de gaz, ANS Z223.1 / NFPA54, le gaz naturel et le propane Code d'installation, CSA B149.1, ou le stockage de propane et le code de gestion, B149. 2.



INSTRUCTIONS DE MONTAGE

Une bouteille à propane bosselée, rouillée ou abîmée peut présenter un danger, et doit être vérifiée par son fournisseur. N'utilisez jamais une bouteille à propane qui possède une vanne de connexion défectueuse.

La bouteille de propane doit être construite et marquée conformément aux spécifications pour les bouteilles de gaz propane du Department of Transportation (DOT) des États-Unis ou la norme sur les bouteilles à gaz cylindriques et sphériques et tubes pour le transport des marchandises dangereuses et commission, CAN/CSA-B339.

La bouteille doit avoir un dispositif de prévention de débordement énuméré.

La bouteille doit avoir un dispositif de connexion compatible avec le système de connexion de l'appareil.

La bouteille doit avoir un collier pour protéger le robinet de la bouteille.

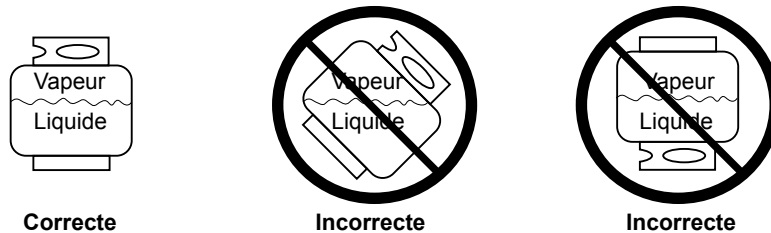
Ne jamais raccorder une bouteille de propane non réglementé à l'appareil.

Avant de raccorder la bouteille, assurez-vous qu'il n'y a pas de débris coincé dans l'entrée de la bouteille de gaz, la sortie de la vanne de régulation ou la sortie du brûleur et les orifices du brûleur.

Raccordez la vanne de régulation et serrez fermement le raccord à la main. Maintenez la vanne de la bouteille de propane fermée et déconnectez la bouteille de propane de la vanne de régulation quand l'appareil n'est pas en marche.

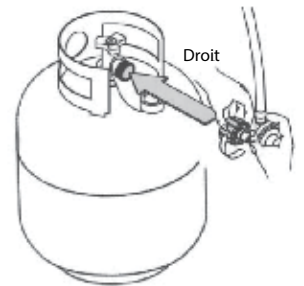
N'OBSTRUEZ pas le courant d'air de combustion ni l'air ventilé allant au foyer.

La bouteille de propane doit être placée de façon à ce que la vapeur puisse s'échapper, et équipée d'un dispositif indiqué de prévention de débordement. Veuillez bien orienter la bouteille pour permettre à la vapeur de s'échapper.
REMARQUE: La bouteille doit être complètement debout pour permettre à la vapeur seulement de s'échapper.



BRANCHER LE RÉSERVOIR GPL

1. Le bouton du réservoir GPL doit être fermé. Assurez-vous de tourner le bouton dans le sens des aiguilles d'une montre ↻ jusqu'à ce qu'il se bloque entièrement. Le système d'alimentation du cylindre doit être prévu pour le retrait de la vapeur.
2. Vérifiez que le bouton de contrôle de l'unité de commande est éteint.
3. Retirez le capuchon de protection de la vanne du réservoir à propane et de l'écrou de fixation.
4. Tenez le régulateur d'une main pendant que vous insérez le mamelon dans la sortie de vanne. Assurez-vous que le mamelon est centré par rapport à l'entrée de vanne. L'écrou de fixation doit être en contact avec le filet large d'extérieur dans la sortie de vanne. Manipulez avec précaution – ne faussez pas le filetage.
5. Resserrez l'écrou de fixation à la main dans le sens des aiguilles d'une montre ↻ jusqu'à ce qu'il soit bien serré. Resserrez fermement à la main uniquement. N'utilisez pas d'outils.



POUR DÉBRANCHER LE RÉSERVOIR

Fermez complètement la vanne du réservoir en le tournant dans le sens des aiguilles d'une montre ↻. Tournez également l'écrou de fixation dans le sens contraire des aiguilles d'une montre ↺ jusqu'à ce que le régulateur se détache.

AVERTISSEMENT:

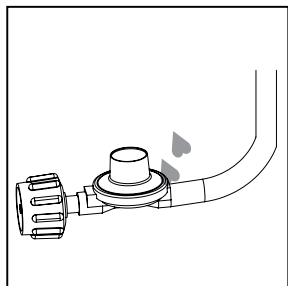
- N'entrez pas de bouteille de GPL sous le barbecue ou à proximité de celui-ci.
- Ne remplissez jamais une bouteille de GPL à plus de 80 % de sa capacité.
- Placez un capuchon antipoussière sur la sortie du robinet de bouteille quand la bouteille n'est pas en cours d'utilisation. Installez uniquement le type de capuchon antipoussière qui est fourni avec le robinet de la bouteille à poser sur la sortie du robinet. D'autres types de capuchons ou bouchons peuvent entraîner des fuites de propane.
- Certains matériaux ou des objets lorsqu'ils sont stockés dans l'appareil de chauffage, seront soumis à la chaleur radiante andcould être sérieusement endommagés.

INSTRUCTIONS DE MONTAGE

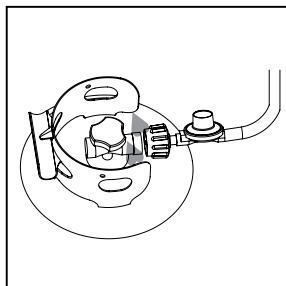
TEST D'ÉTANCHÉITÉ

⚠ AVERTISSEMENT

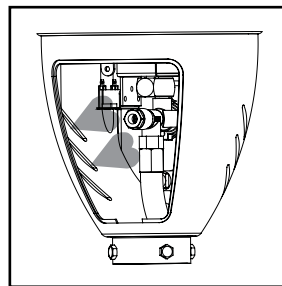
- Effectuez toujours les tests à l'extérieur.
- Eteignez toute flamme nue.
- Ne fumez JAMAIS à proximité de l'appareil lors du test.
- N'utilisez pas le foyer jusqu'à ce que tous les branchements aient été testés puis prouvés étanches.



Connexion tuyau/
régulateur



Connexion régulateur/
bouteille



Tuyau / commande
raccordement du
robinet

1. Préparez 2 à 3 oz de solution pour vérifier l'étanchéité (un volume de liquide vaisselle et trois volumes d'eau).
2. Versez la solution dans un flacon pulvérisateur.
3. Assurez-vous que le robinet de la bouteille et la vanne de contrôle sont en position ARRÊT.
4. Appliquez quelques gouttes de la solution au point d'ancrage du tuyau sur le régulateur.
5. Appliquez quelques gouttes de la solution au point d'ancrage du régulateur sur la bouteille.
6. Appliquez quelques gouttes de la solution où le tuyau se connecte à la vanne de commande de gaz.
7. Mettez le robinet de la bouteille en position MARCHÉ.

Si des bulles apparaissent au niveau d'un point de connexion, cela veut dire qu'il y a une fuite.

1. Mettez le robinet de la bouteille en position ARRÊT.
2. Si la fuite est au point de connexion entre le tuyau et le régulateur, retournez le régulateur et le tuyau (RR) à votre lieu d'achat.
3. Si la fuite est au niveau de la connexion entre le régulateur et le robinet de la bouteille: débranchez-les et rebranchez-les avant de faire un second test d'étanchéité. Si des bulles apparaissent de nouveau après avoir essayé cette manoeuvre plusieurs fois, cela veut dire que le robinet de la bouteille est défectueux et que vous devez la retourner à votre point d'achat. Si AUCUNE bulle n'apparaît lors du test, les connexions sont sûres.
4. Si la fuite est au niveau du raccordement entre le tuyau et la vanne de commande du gaz, serrez le raccordement et refaites un essai d'étanchéité. Si des bulles apparaissent de nouveau, retournez le régulateur et le tuyau (RR) ainsi que la tête de vanne (C) à votre lieu d'achat.

Si aucun des bulles apparaissent dans l'une des connexions, les connexions sont sécurisées.

Remarque: À chaque fois que vous rebranchez l'appareil après avoir desserré ou débranché les points de connexion, vous devez effectuer un nouveau test d'étanchéité.

INSTRUCTIONS DE MONTAGE

DANGER

- D'EMPOISONNEMENT AU MONOXIDE DE CARBONE
- À usage extérieur seulement. Ne jamais utiliser à l'intérieur d'un bâtiment, garage, ou autre lieu non-ventilé ou fermé. Cette chaufferette consomme de l'air (oxygène). Ne pas utiliser dans un lieu non-ventilé ou fermé afin d'éviter de mettre votre vie en péril

Attention: Ne pas mettre en marche jusqu'à ce que vous ayez lu et compris toutes les informations de sécurité continues dans ce manuel et que toute l'installation soit terminée et les contrôles fuite aient été effectués.

Avant d'allumer l'alimentation en gaz:

1. Votre foyer a été conçu et approuvé pour l'usage à l'extérieur seulement. NE PAS l'utiliser à l'intérieur d'un bâtiment, garage ou tout autre espace clos.
2. Assurez-vous que les zones avoisinantes sont exemptes de matières combustibles, d'essence et d'autres vapeurs inflammables ou liquides.
3. Assurez-vous qu'il n'y a aucun obstacle à la ventilation de l'air. Veillez à ce que toutes les connexions sont bien serrées et qu'il n'y a pas de fuites.
4. Assurez-vous que le couvercle du cylindre est exempt de tout débris. Assurez-vous que tout composant enlevé lors de l'installation ou l'entretien est remplacé et bien accroché avant de commencer.

Avant d'allumer:


1. Le foyer doit être soigneusement inspecté avant chaque utilisation et par une personne qualifiée au moins chaque année. Si vous rallumez un foyer encore foyer chaud, attendez toujours au moins 5 minutes.
2. Inspectez le régulateur et le tuyau (RR) pour vérifier qu'il n'y a pas de signes de dégradation ou d'usure excessive ni de coupures. Les zones suspectes devraient être testées pour s'assurer qu'il n'y a pas de fuites. Si le tuyau fuit, il doit être remplacé avant de mettre l'appareil en marche. Utilisez uniquement le régulateur et le tuyau (RR) de rechange précisés par le fabricant.

Éclairage:

Remarque: Cette chaufferette est équipée d'une flamme pilote qui permet des allumages et fermetures sécuritaires. La flamme pilote doit être allumée avant que le brûleur principal peut être allumé.

1. Tourner le bouton de contrôle à la position "ARRÊT" (O).
2. Ouvrir la valve LP du cylindre à fond.
3. Ouvrir trou d'observation par couvercle coulissant de chaque côté (Figure 1).

AVERTISSEMENT: Ne pas toucher ou déplacer cette partie alors que l'appareil est en fonctionnement. Appareil est chaud lorsqu'il fonctionne. Toujours utiliser un outil pour faire glisser le couvercle ouvert.

4. Enfoncez le bouton de commande et tournez dans le sens antihoraire à la position "PILOTE" () (Figure 2).

Remarque: Pour le premier essai d'allumage après le remplacement d'un cylindre, presser le bouton de contrôle pour pas plus que 2 minutes ou jusqu'à ce l'odeur de gaz dans les tuyaux soit humé.

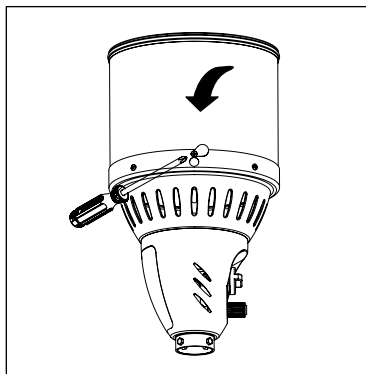


Figure 1

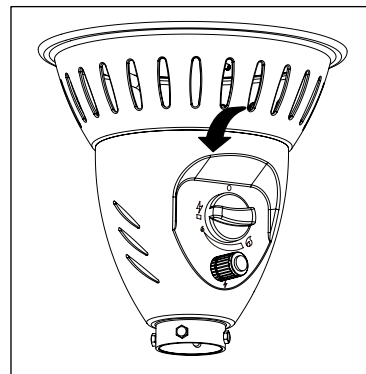


Figure 2

INSTRUCTIONS DE MONTAGE

- Appuyez sur le bouton d'allumage électronique jusqu'à ce que la flamme pilote est visible à travers le trou de visualisation.
- Une fois que le pilote est allumé, continuer à appuyer sur le bouton de commande pendant 30 secondes.
- Si le pilote ne reste pas allumée, répétez les étapes 4 à 6.
- Si après avoir répété les étapes 4 à 6 l'unité ne fait pas la lumière, puis
 - Pousser le bouton de contrôle et tourner au sens contraire de l'horloge à la position "PILOTE" (⚡) (Figure 3)
 - En appuyant sur le bouton de commande, placez la paille du briquet long (non-inclus) dans l'orifice de l'assemblage de tête pour allumer la flamme pilote (Figure 4).
 - Répétez l'étape 6.

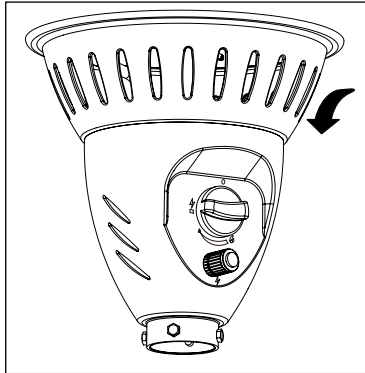


Figure 3

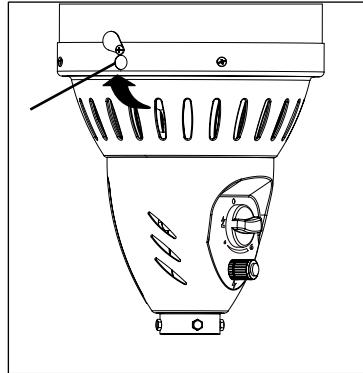


Figure 4

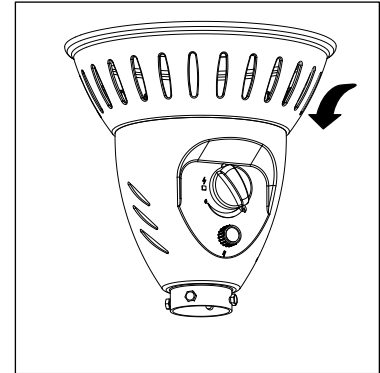
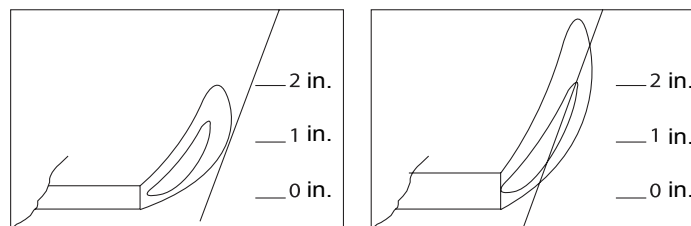


Figure 5

- Pousser sur le bouton de contrôle à la position << FAIBLE INTENSITÉ >> (🔥), ensuite relâcher. Si vous désirez une température plus haute, pousser le bouton de contrôle et tourner au sens contraire des aiguilles d'horloge à la position << FORTE INTENSITÉ >> (🔥) (Figure 5)

Remarque: Si la flamme pilote ne reste pas allumée, toutes les valves devraient être fermées et une période d'attente d'au moins 5 minutes est de mise avant de tenter l'allumage à nouveau.



Normal

Anormal

Si vous avez des problèmes d'allumage, vous référer à la section "Dépannage" à la page 61.

Attention: Ne pas respirer les vapeurs qui sortent de l'allumage la première fois. De la fumée et l'odeur d'huile brûlant utilisée au cours du processus de fabrication sera présente. L'odeur et la fumée se dissiperont après environ 30 minutes. La chaufferette ne devrait PAS produire de la fumée noire épaisse.

Remarque: La chaufferette peut être bruyante lors du premier allumage. Afin d'éliminer le bruit excessif de la chaufferette, tourner le bouton de contrôle à la position PILOTE. Ensuite, tourner le bouton au niveau de chaleur désiré.

Lorsque le chauffage est en marche:

L'écran émetteur deviendra rouge vif dû à la chaleur intense. La couleur est plus visible le soir. Le brûleur affichera des langues de feu bleu et jaune. Les flammes ne devraient pas être jaune ou produire de fumée noire épaisse. Ceci indique qu'il y a un blocage d'air à travers les brûleurs. La flamme devrait être bleue avec la pointe jaune toute droite. Si une flamme jaune excessive est détectée, fermer la chaufferette et consulter la section "Dépannage" à la page 61.


INSTRUCTIONS DE MONTAGE

AVERTISSEMENT

POUR VOTRE SÉCURITÉ

Soyez attentifs lorsque vous tentez l'allumage manuel de cette chaufferette. Si vous tenez le bouton de contrôle pour plus de 10 secondes avant l'allumage, le gaz causera une boule de flammes à l'allumage.

Rallumage:

Remarque: Pour votre sécurité, le bouton de contrôle ne peut pas être mis à la position "ARRÊT" (O) sans au préalable enlevé le bouton de contrôle de la position "PILOTE" () et ensuite faire pivoter à la position "ARRÊT" (O).


1. Tourner le bouton de contrôle à la position "ARRÊT" (O).
2. Attendre au moins 5 minutes afin de laisser le gaz se dissiper avant de tenter de rallumer la flamme Pilote.
3. Répéter les étapes de "Allumage" à la page précédente.

AVERTISSEMENT

POUR VOTRE SÉCURITÉ

La chaufferette sera chaude après usage.
Manipuler avec soin extrême.

Fermeture:

1. Tourner le bouton de contrôle dans le sens des aiguilles d'horloge à la position "PILOTE" (). (il est normal qu'un son de "pop" soit entendu lorsque l'appareil est éteint.) La chaufferette s'éteindra mais la position PILOTE restera MARCHE .
2. Pour éteindre PILOTE, presser le bouton de contrôle et continuer de le tourner dans le sens des aiguilles d'horloge jusqu'à la position "ARRÊT" (O).
3. Tourner la valve du cylindre dans le sens des aiguilles d'horloge à la position ARRÊT et déconnecter le régulateur lorsque la chaufferette est hors d'usage.

Remarque: Après usage, de la décoloration de l'écran émetteur est normal.

Liste de contrôle d'opération

Pour une expérience sécuritaire et plaisante, effectuer cet vérification avant chaque usage.

Avant d'opérer:

1. Je suis familier avec le manuel de l'utilisateur en entier et je comprends toutes les précautions notées.
2. Tous les pièces sont proprement assemblées, intactes et opérables.
3. Aucune altérations n'ont été faites.
4. Toutes les connexions de gaz sont sécuritaires et ne fuient pas.
5. La vélocité du vent est de moins de 10 mph/8,046 km/h.
6. L'appareil aura un rendement réduit à moins de 40°F/ 4°C.
7. Chaufferette est à l'extérieur (en dehors de tout enclos).
8. Il y a de la ventilation d'air adéquat.
9. Il y a une pile AAA à l'intérieur de l'igniteur électrique et la pile est nouvelle.

INSTRUCTIONS DE MONTAGE

10. La chaufferette est loin de gazoline ou autre liquides ou vapeurs inflammable.
11. La chaufferette est loin de fenêtres, entrées d'air, gicleur et autres sources d'eau.
12. La chaufferette est au moins à 40 pouces/101,6 cm sur le côté et 28 pouces/71,12 cm au-dessus de tout matériel combustible.
13. La chaufferette est sur une base non combustible, à niveau et dur.
14. Il n'y a aucun signes d'araignées et de nid d'insectes.
15. Tous les passages de brûleurs sont nets.
16. Tous les passages de circulation d'air sont nets.
17. *Les enfants et adultes devraient être alertés aux dangers de surfaces à chaleur extrême et devraient se tenir loin afin d'éviter brûlures ou risque de feu à leur linge.*
18. *Jeunes enfants devraient être supervisés avec attention lorsqu'ils sont autour de l'aire de la chaufferette.*
19. *Morceaux de linge ou autre matériel de protection ne devraient pas être suspendu de la chaufferette ou placé près de la chaufferette.*
20. *Tout écran ou autre pièce protectrice doit être retirée pour l'entretien de la chaufferette et doivent être remplacés avant l'opération de la chaufferette.*
21. *L'installation et la réparation devraient être faites par un réparateur qualifié. La chaufferette devrait être inspectée avant l'usage et au moins une fois l'an par un réparateur qualifié.*
22. *Un nettoyage plus fréquent pourrait être nécessaire. Il est impératif que le compartiment de contrôle, brûleur et les passages de circulation d'air de la chaufferette soient gardés propres.*

Après l'opération:

1. La valve de contrôle du gaz est en position ARRÊT.
2. La valve de gaz est en position ARRÊT.
3. Déconnecter le tuyau régulateur du cylindre de propane.

ENTRETIEN ET MAINTENANCE

⚠ AVERTISSEMENT

POUR VOTRE SÉCURITÉ

- Ne PAS toucher ou déménager la chaufferette pour au moins 45 minutes après usage.
- Réflecteur est chaud au touché.
- Permettre au réflecteur de se refroidir avant de toucher.

Afin de prendre plaisir de la performance exceptionnelle de votre chaufferette, vous assurer que vous fassiez les activités d'entretien régulièrement:

Garder les surfaces extérieures propres.

1. Utiliser de l'eau savonneuse chaude pour nettoyer. Ne jamais utiliser des produits de nettoyage inflammable ou corrosifs.
2. En nettoyant votre appareil, garder l'endroit autour du brûleur et l'assemblage de la flamme pilote sèches en tout temps. Ne pas immerger l'assemblage de la valve de contrôle. Si le contrôle de gaz est immergé dans l'eau, ne PAS l'utiliser. Il doit être remplacé.
 - a. Garder l'aire de l'appareil dégagé de tout matériel combustible, gazoline et autre vapeurs et liquides inflammable.
 - b. Ne pas obstruer l'écoulement de combustion et la ventilation d'air.
 - c. Garder les ouvertures de ventilation de l'orifice du cylindre dégagé de débris.
3. L'écoulement d'air doit être non obstrué. Garder les contrôles, brûleurs et passages de circulation d'air propres.

ENTRETIEN ET MAINTENANCE

Signes de blocages possibles inclus:

- Odeur de gaz lorsque la pointe de flamme est jaune et extrême.
- La chaufferette ne rejoint PAS la température désirée.
- La lueur de la chaufferette est excessivement inégale.
- La chaufferette fait des sons secs de 'pop'.
- Des araignées et des insectes peuvent s'infiltrer dans le brûleur ou les orifices et s'y faire un nid. Cette condition dangereuse peut endommager la chaufferette et rendre cette dernière dangereuse pour utilisation. Nettoyer les orifices du brûleur en utilisant un cure-pipe ultra résistant. De l'air comprimé peut aussi aider à enlever de petites particules de poussière.
- Les dépôts de carbone peuvent créer un risque d'incendie. Écran dôme et nettoyez le brûleur avec de l'eau chaude savonneuse si les dépôts de carbone se développent.
- Vérification de la pile : s'assurer que la pile est installée avant l'usage. Enlever la pile de l'appareil si vous n'utilisez pas la chaufferette pendant une longue période.



Remarque: Dans un environnement air salin (comme près d'un océan), la corrosion se produit plus rapidement que la normale. Vérifier fréquemment l'appareil pour des signes de corrosion et réparer promptement.

Entreposage

Entre utilisations:

- Fermer la valve de contrôle et la valve du cylindre.
- Déconnecter le tuyau d'alimentation du cylindre (bonbonne) à gaz.
- La batterie devrait être retirée de l'allumeur.
- Entreposer la chaufferette dans un endroit abrité du contact direct avec la température peu clémente (telle la pluie, grésil, grêle, neige, poussière et débris).
- Couvrir la chaufferette si désiré afin de protéger les surfaces extérieures et empêcher la montée en puissance dans les canalisations d'air.

REMARQUE: Attendre que la chaufferette soit refroidie avant de couvrir.

Lors de période d'inactivité extensives ou lors de transport:

- Fermer la valve de contrôle et la valve du cylindre.
- Déconnecter le tuyau d'alimentation et mettre la bonbonne à gaz dans un endroit sécuritaire, bien aéré et à l'extérieur.
- Retirez la batterie de l'allumeur.
- Entreposer la chaufferette debout dans un endroit abrité de contact direct avec la température peu clémente (telle la pluie, grésil, grêle, neige, poussière et débris).
- Couvrir la chaufferette si désiré afin de protéger les surfaces extérieures et empêcher la montée en puissance dans les canalisations d'air. Ne jamais laisser le cylindre (bonbonne) exposé au soleil direct ou près d'une source de chaleur excessive.

REMARQUE: Attendre que la chaufferette soit tout à fait refroidie avant de couvrir.

Entretien et service

Seul une personne qu'alifiée devrait réparer des tuyaux à gaz et pièces associées.

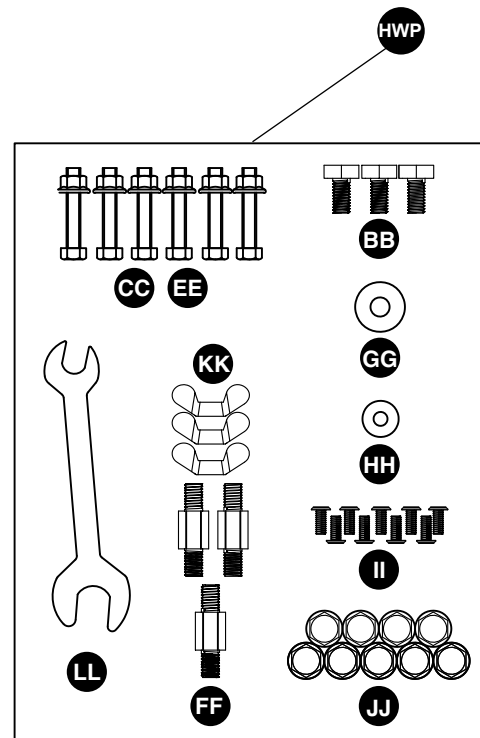
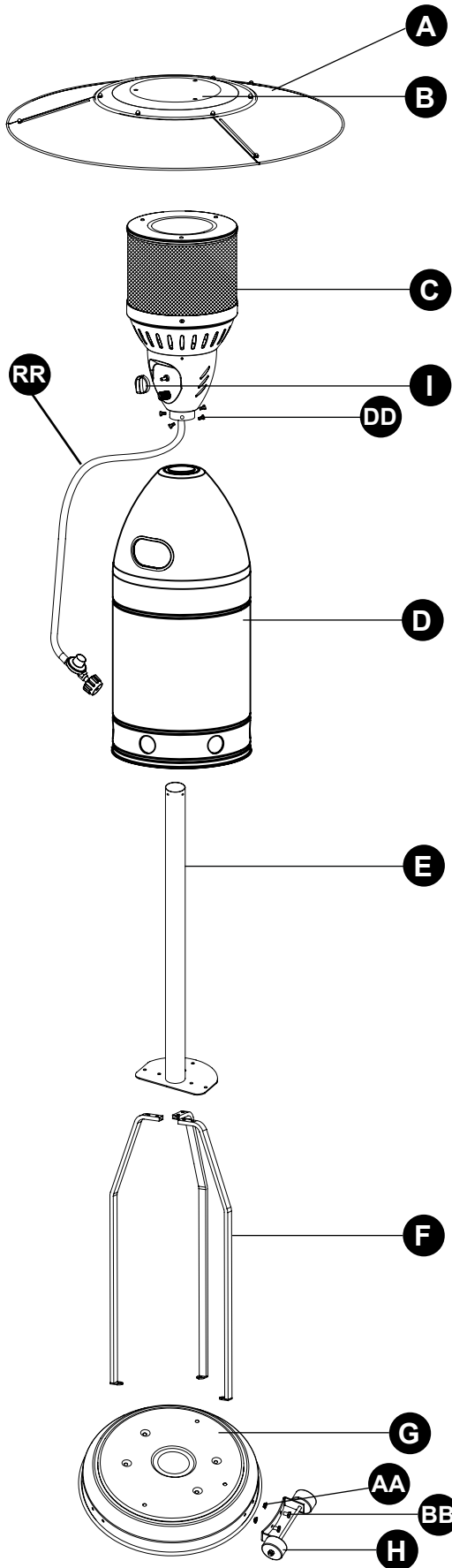
Avertissement: *Toujours permettre à la chaufferette de refroidir avant de tenter la réparation ou entretien.*

DÉPANNAGE

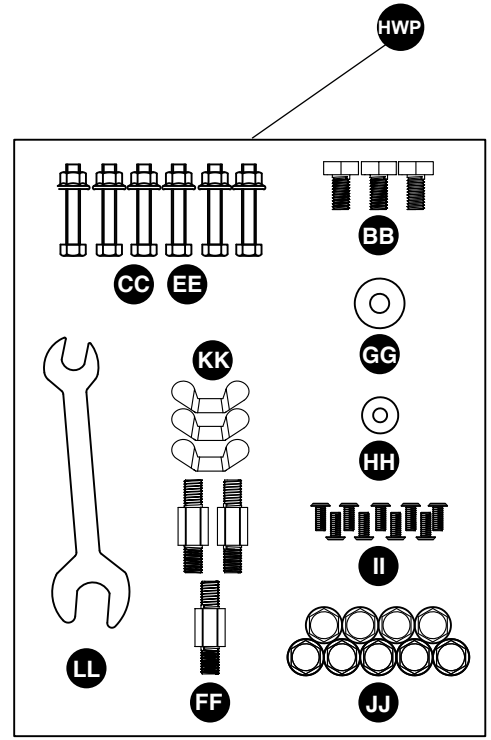
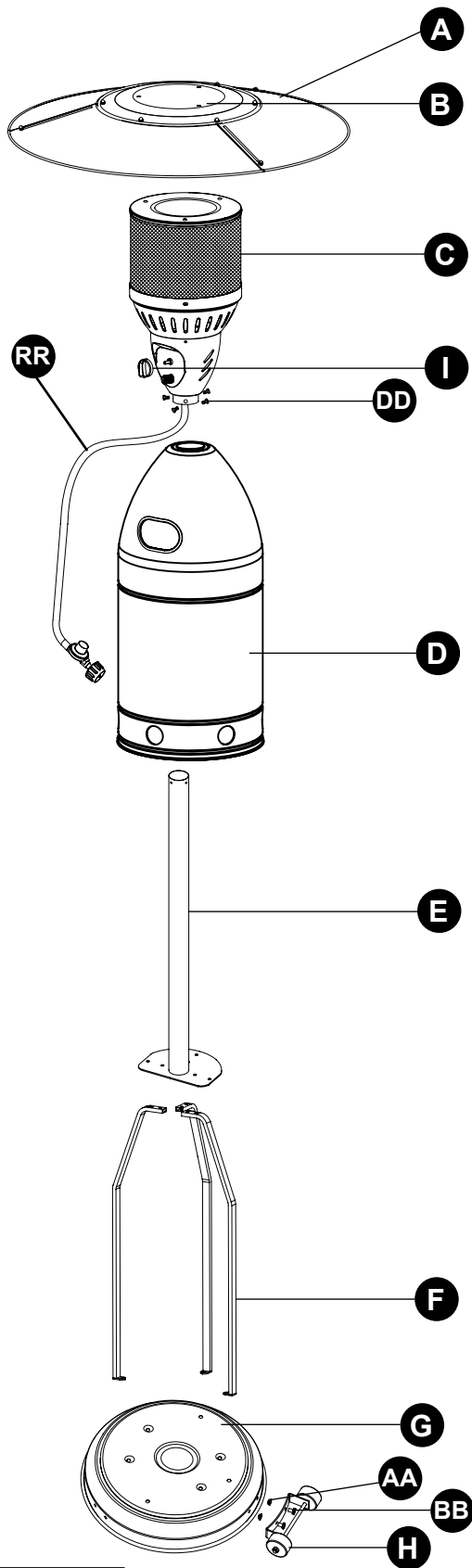
PROBLÈME	CAUSE POSSIBLE	CORRECTION
<p>La flamme pilote ne s'allume pas.</p> <p><i>Remarque: la chauffeuse opère à efficacité réduite sous 40°F /4°C</i></p>	Valve du cylindre est fermée	Ouvrir la valve
	Blocage dans l'orifice (ouverture) ou tube pilote	Nettoyer ou remplacer l'orifice ou le tube pilote
	Air dans le tuyau à gaz	Ouvrir la ligne ;à gaz et la purger (presser le bouton de contrôle) pour pas que 1-2 minutes ou jusqu'à ce que vous humer le gaz
	Pression basse de la valve du cylindre avec la valve ouverte à son plein.	Fermer la valve du cylindre à la position ARRÊT et remplacer le cylindre
	L'allumeur flanche	Utiliser une allumette pour allumer la lumière pilote; se munir d'un allumeur et remplacer
	Batterie est morte ou la connexion est défectueuse	
		Vérifier si la batterie est ancrée correctement
		Vérifier qu'il n'y ai pas de corrosion autour des terminaux de la batterie
La flamme pilote ne reste pas allumée	Accumulation de poussière autour de la flamme pilote	Nettoyer la poussière autour de la flamme pilote
	Connexion entre la valve à gaz et l'assemblage de la flamme pilote est desserrée	Resserrer la connexion et vérifier pour des fuites
	Le thermocouple n'opère pas correctement	Remplacer le thermocouple
Le brûleur ne s'allume pas	Le cylindre de propane est surgelé	Attendre que le cylindre de propane réchauffe et soit dégelé
	L'orifice est bouchée	L'orifice est bouchée
	Le bouton de contrôle est dans la position MARCHE	Tourner le bouton de contrôle à MARCHE
La flamme du brûleur est basse	La pression de gaz est basse	Mettre la valve du cylindre à la position ARRÊT et remplacer le cylindre
	La température extérieur est moindre que 40°F /4°C et le niveau du réservoir est moins qu'un quart	Utiliser un cylindre plein
	Bouton de contrôle est tout à fait sur MARCHE	Vérifier que le brûleur et les orifices ne sont pas bouchés
Fumée noire épaisse dû à l'accumulation de carbone	Poussière ou fine couche sur le réflecteur et écran du brûleur	Nettoyer le réflecteur et écran du brûleur
	Blocage dans le brûleur	Enlever le blocage et nettoyer l'intérieur

GARANTIE LIMITÉE D'UN AN

Si dans l'année suivant la date d'achat originale, cet appareil tombe en panne en raison d'un défaut de matériau ou de fabrication, nous le remplacerons ou réparerons, à notre discrétion, sans frais. Pour commander des pièces ou demander des réparations sous garantie, appelez le 1-877-447-4768, de 08h30 à 16h30, HNC, du lundi au vendredi. Cette garantie ne couvre pas les défauts résultant d'une utilisation inappropriée ou anormale, d'un abus, d'un accident ou d'une modification. Ne pas suivre toutes les instructions dans le manuel du propriétaire annulera également cette garantie. Le fabricant ne sera pas responsable des dommages indirects ou accessoires ou des dommages dus à l'érosion commune des produits extérieurs. Certains États n'autorisent pas l'exclusion ou la limitation des dommages accessoires ou indirects, donc la limitation ci-dessus pourrait ne pas vous concerner. Cette garantie vous donne des droits légaux spécifiques et vous pourriez avoir également d'autres droits qui varient en fonction de l'État.



PIÈCE	DESCRIPTION	QTÉ.	NO. DE PIÈCE
A	Panneau de réflecteur	3	35-01-015
B	Plateau du réflecteur	1	35-01-016
C	Assemblage de tête	1	35-01-004
D	Boîtier de cylindre	1	35-01-005
E	Poteau	1	35-01-007
F	Console de support	3	35-01-010
G	Base	1	35-01-025
H	Kit des roues	1	35-01-027
I	Bouton de controle	1	30-01-021
AA	M8 Écrou	2	35-09-001
BB	M8 Boulon	2	35-09-002
DD	Boulon d'acier inoxydable	4	35-09-003
RR	Tuyau et le régulateur	1	30-01-189
HWP	Trousse de matériel	1	35-09-501
N/A	Guide d'instruction	1	35-10-001



PIÈCE	DESCRIPTION	QTÉ.	NO. DE PIÈCE
A	Panneau de réflecteur	3	35-01-015
B	Plateau du réflecteur	1	35-01-016
C	Assemblage de tête	1	35-01-004
D	Boîtier de cylindre	1	35-01-006
E	Poteau	1	35-01-008
F	Console de support	3	35-01-049
G	Base	1	35-01-026
H	Kit des roues	1	35-01-028
I	Bouton de controle	1	30-01-021
AA	M8 Écrou	2	35-09-001
BB	M8 Boulon	2	35-09-002
DD	Boulon d'acier inoxydable	4	35-09-003
RR	Tuyau et le régulateur	1	30-01-189
HWP	Trousse de matériel	1	35-09-501
N/A	Guide d'instruction	1	35-10-001



GHP Group, Inc.
 6440 W. Howard St.
 Niles, IL 60714-3302
 877-447-4768