

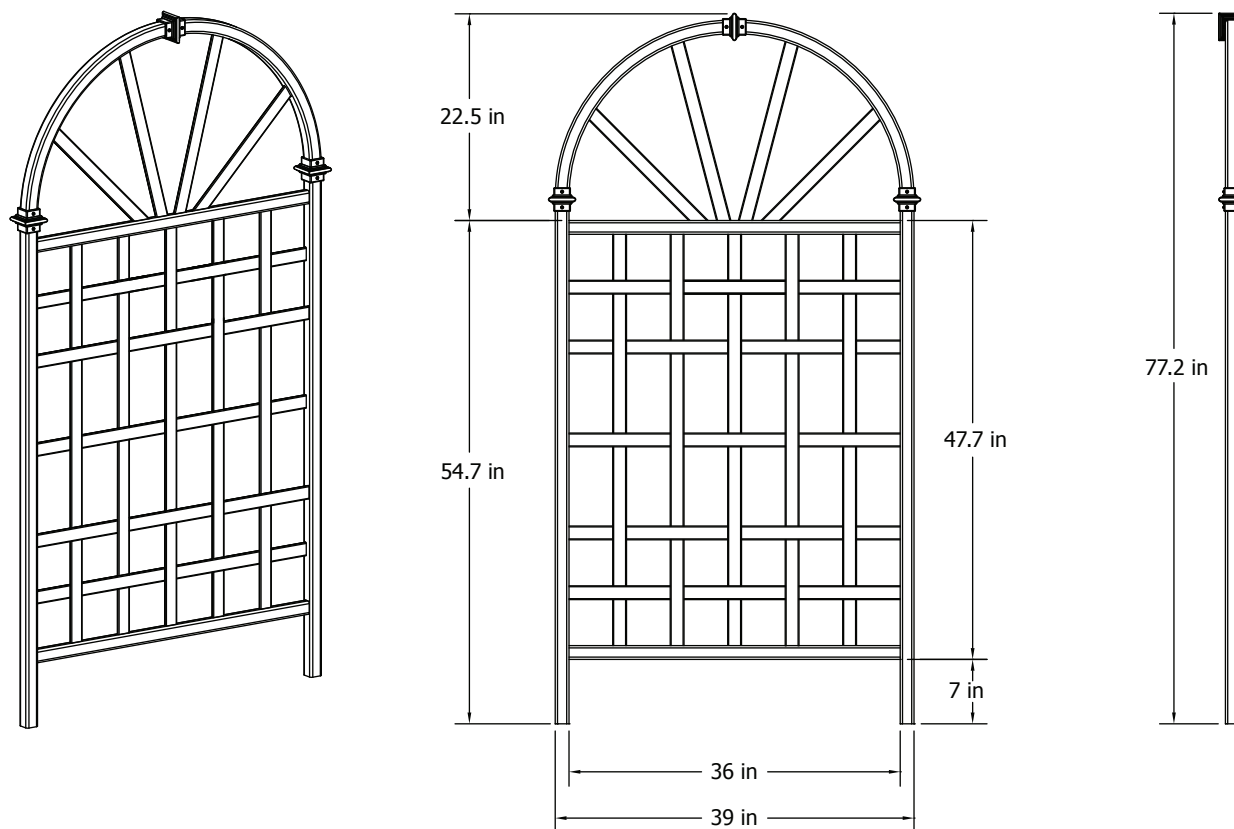
ASSEMBLY INSTRUCTIONS

Eden™

Enduring Garden Architecture

www.edenarbors.com

The Athens Trellis



Please read through before starting assembly.

IMPORTANT: CHECK THE INSIDE OF YOUR POSTS FOR ALL MATERIALS.

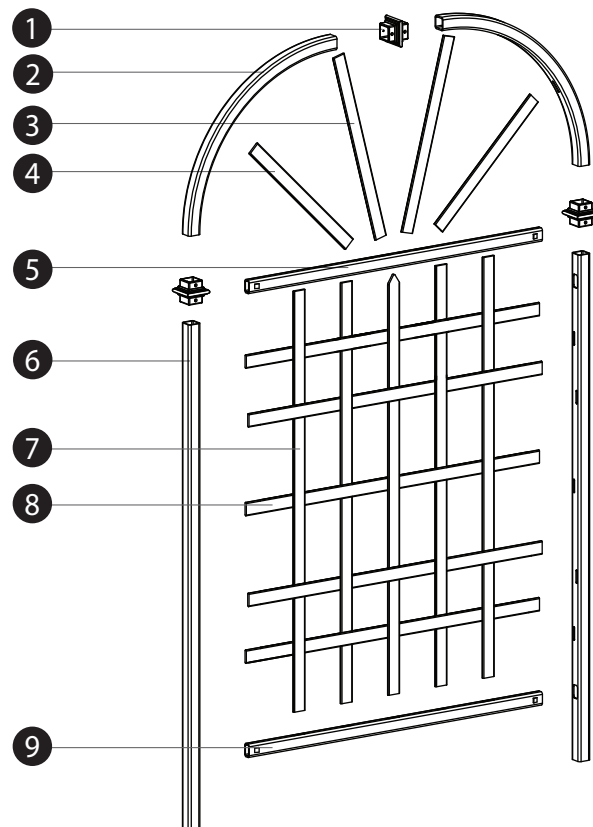
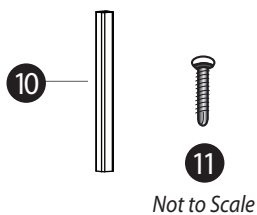
Check Box for These Contents

In the event of missing or defective parts please call our customer service dept. at **1 800 282 9346, ext #20** (Mon. to Fri. 8:00 AM to 4:00 PM EST).

1. Post Caps (3)
2. Arches (2)
3. Top Long Spindles (2)
4. Top Short Spindles (2)
5. Top Rail (1)
6. Posts (2)
7. Vertical Spindles (5)
8. Horizontal Spindles (5)
9. Bottom Rail (1)
10. Ground Anchoring Stakes (2)
11. 3/4" Self-Auguring Stainless Steel Screw (24)

Tools You Will Need

- Cordless Drill
- Hammer
- Tape Measure
- Level
- Shovel



General Information

- **Read Instructions through carefully before beginning assembly.**
- When assembling components, place on a non-abrasive surface (i.e. shipping box) to avoid scratching.
- We recommend an area approx 5'x 8' for unobstructed assembling.
- You should not need to use excessive force when assembling component.

STEP ONE

NOTE: There are locking tabs located at the ends of the horizontal rails. Once inserted and pushed into the routed holes, they will lock into place.

1

Lay one of the posts on the ground and insert the bottom rail and the five horizontal spindles as shown aside. Note that the bottom and top rails are different - the bottom rail only has one side with routed holes.

2

Insert the five vertical spindles as shown aside. Make sure to weave the spindles as they are being inserted. Please note that there is one spindle with a 'spear head' and should be placed in the middle.

3

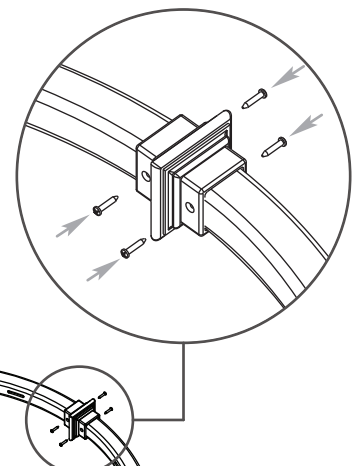
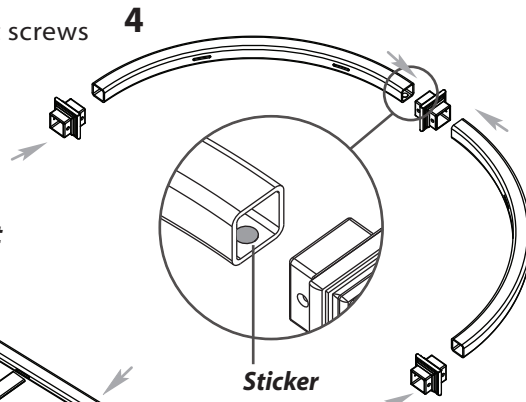
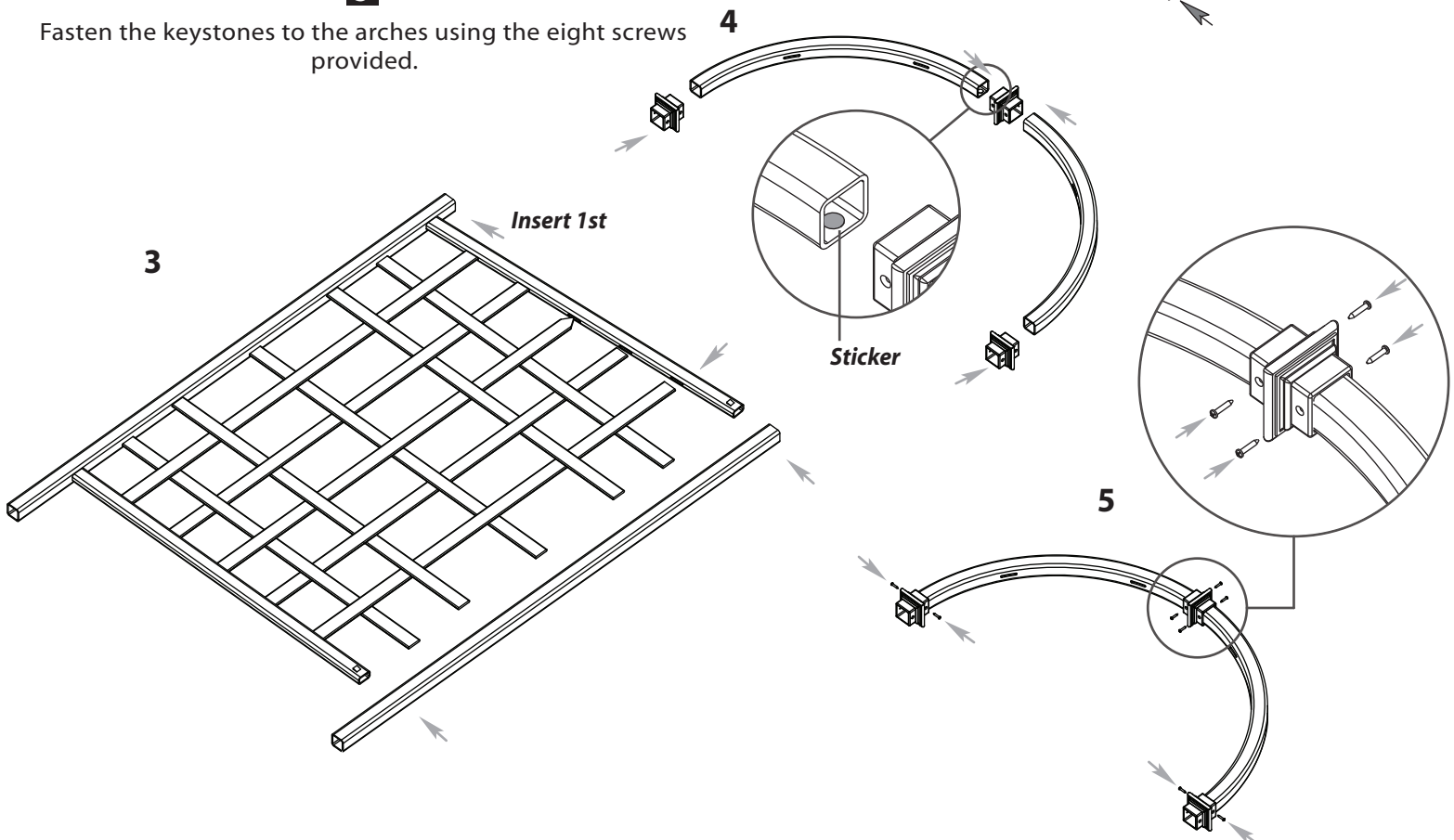
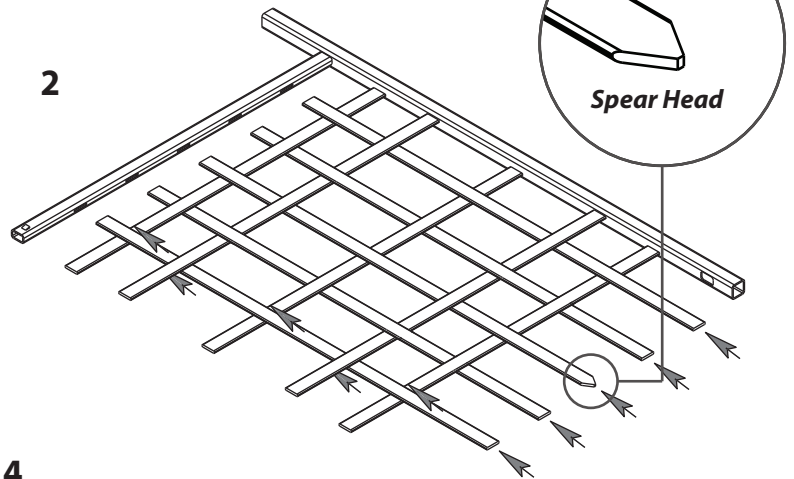
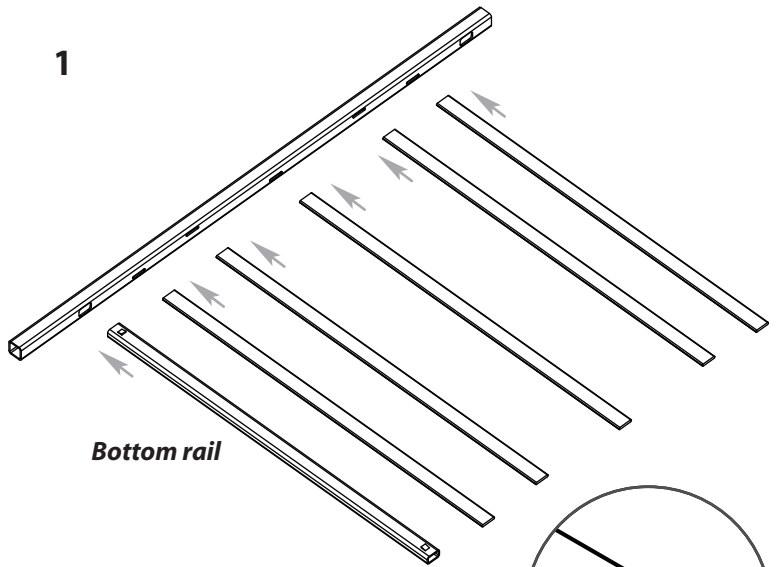
Continue assembly by inserting the top rail end into the post and progressively into each of the vertical spindles. proceed to attach the second post to the trellis assembly as shown below. Ensure tabs are inserted all the way into the post.

4

Insert the top arches into the keystones as shown. Note that there is a sticker on each of the arches indicating the top of the arch.

5

Fasten the keystones to the arches using the eight screws provided.



STEP TWO

Install the Top Arch

1

Insert the arch spindles to the openings on the top rail. Note that there are two different sizes of spindles and should be inserted as shown aside.

2

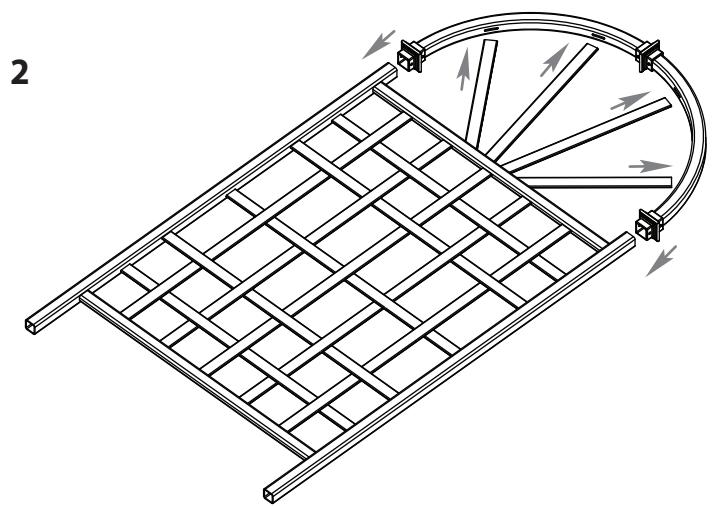
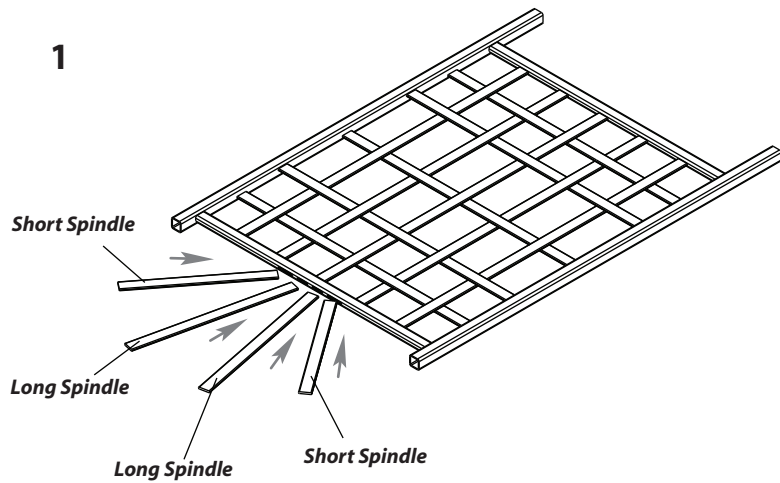
Align the four spindles into the bottom of the arch while simultaneously inserting the arch assembly to the posts. Excessive force should not be necessary.

3

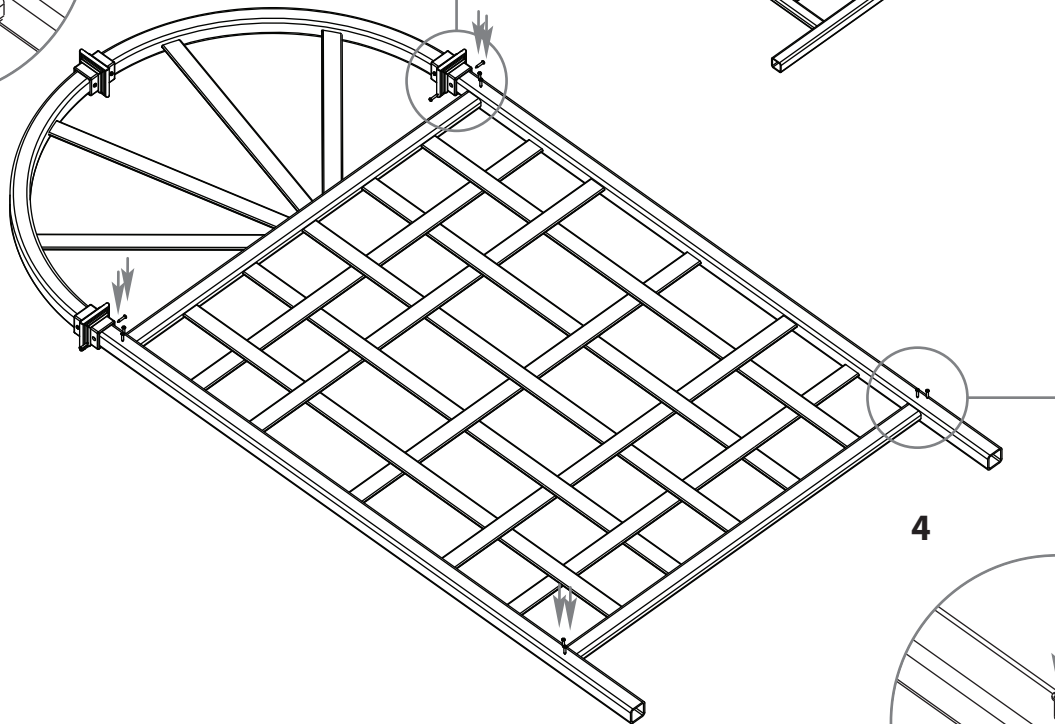
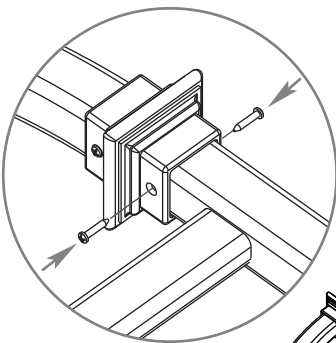
Fasten the arch assembly to the posts using the screws provided in the hardware kit.

4

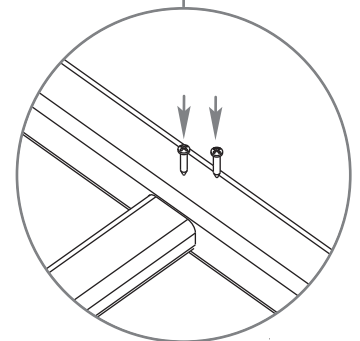
Finish the trellis assembly by fastening the posts to the top and bottom rails as shown.



3



4



EdenTM

Enduring Garden Architecture

www.edenarbors.com

1915 Dove St., Port Huron MI USA 48060
Toll Free Phone: 1 800 282 9346 Toll Free Fax: 1 877 464 9286

3

Mounting Into the Ground

Trellises must be well secured in the event of high winds, etc. We have provided two ground anchoring stakes for securing the trellis either into the ground or into a concrete footing. If you are installing your trellis directly to the wall of your home, or on a wood deck or concrete surface, please see your hardware store for the appropriate galvanized bracket hardware.

STEP THREE

Install the Ground Anchor Stakes

Insert the ground anchoring stakes into the bottom of the trellis posts. Secure with screws as shown aside.

STEP FOUR

Install Trellis into Ground

A

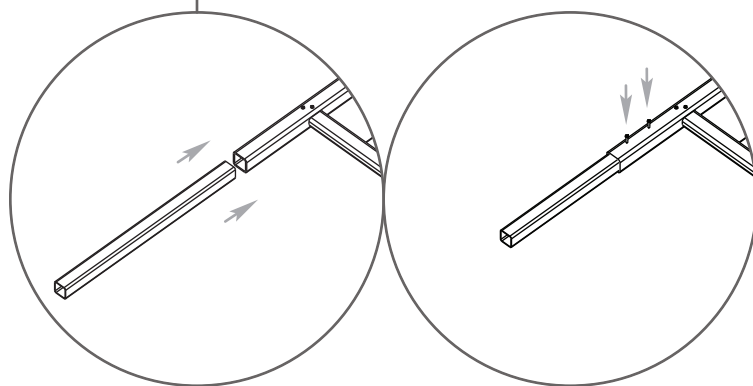
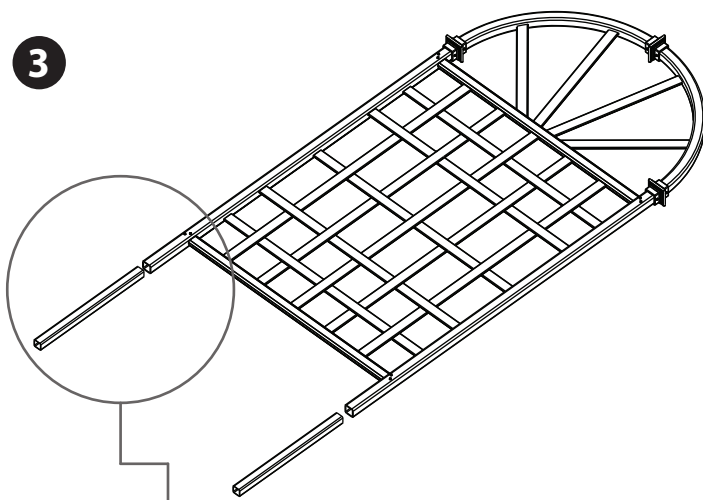
Move the trellis to its final location. When you are satisfied with the location, mark the positions of the posts, then move the trellis aside and lay it carefully on its side. Excavate the 2 post holes approximately 12" deep x 6" diameter. Carefully move the trellis back into position.

B

Level it both vertically and horizontally into the excavated holes.

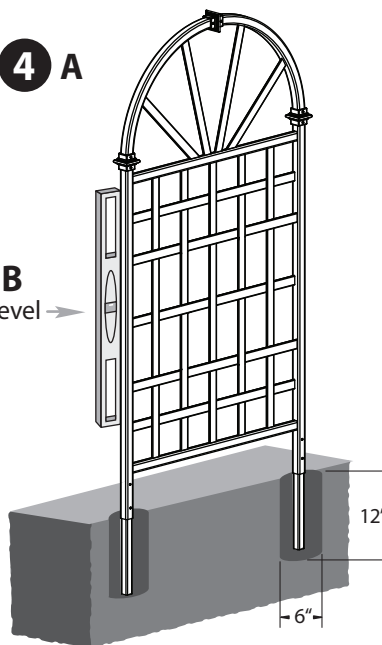
C

Backfill the holes with the excavated soil.

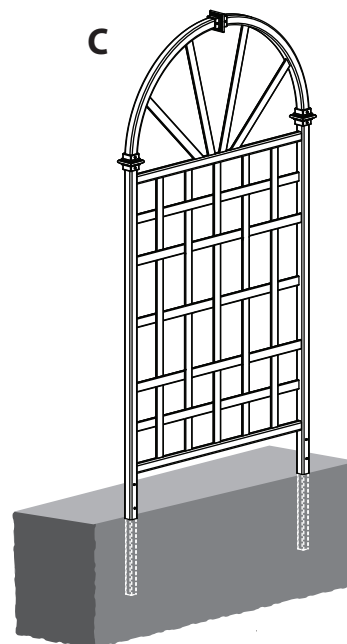


4 A

B
Level →



C



*Eden*TM

Enduring Garden Architecture