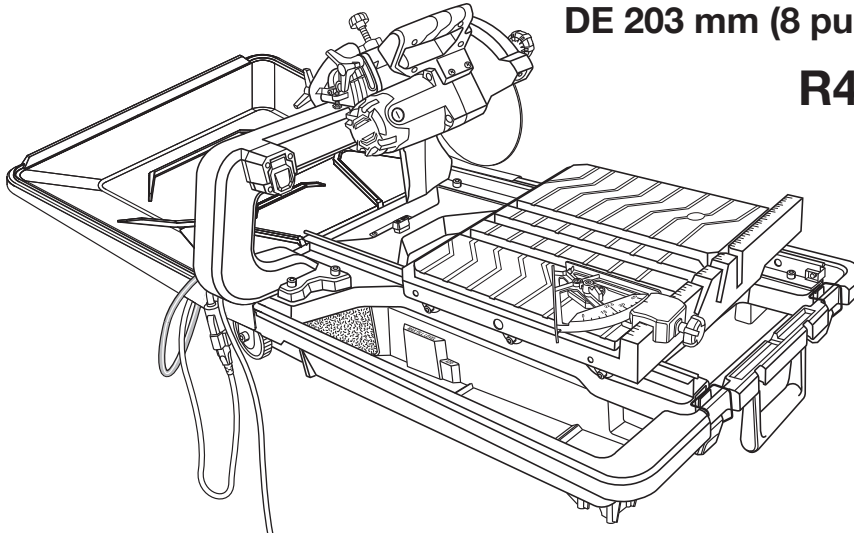


OPERATOR'S MANUAL

MANUEL D'UTILISATION
MANUAL DEL OPERADOR

8 in. TILE AND PAVER SAW WITH LASER
SCIE À CARREAUX ET PAVES SOUS EAU
DE 203 mm (8 po) AVEC LASER
SIERRA PARA LOSAS Y PAVIMENTO
DE 203 mm (8 pulg.) CON LÁSER

R4040/R40401



To register your RIDGID product, please visit: <http://register.RIDGID.com>
Pour enregistrer votre produit de RIDGID, s'il vous plaît la visite: <http://register.RIDGID.com>
Para registrar su producto de RIDGID, por favor visita: <http://register.RIDGID.com>

Your saw has been engineered and manufactured to our high standard for dependability, ease of operation, and operator safety. When properly cared for, it will give you years of rugged, trouble-free performance.

⚠ WARNING:

To reduce the risk of injury, the user must read and understand the operator's manual before using this product.

SAVE THIS MANUAL FOR FUTURE REFERENCE

Cette scie a été conçue et fabriquée conformément aux strictes normes de fiabilité, simplicité d'emploi et sécurité d'utilisation. Correctement entretenu, cet outil vous donnera des années de fonctionnement robuste et sans problème.

⚠ AVERTISSEMENT :

Pour réduire les risques de blessures, l'utilisateur doit lire et veiller à bien comprendre le manuel d'utilisation avant d'employer ce produit.

Su sierra ha sido diseñado y fabricado de conformidad con nuestras estrictas normas para brindar fiabilidad, facilidad de uso y seguridad para el operador. Con el debido cuidado, le brindará muchos años de sólido funcionamiento y sin problemas.

⚠ ADVERTENCIA:

Para reducir el riesgo de lesiones, el usuario debe leer y comprender el manual del operador antes de usar este producto.

**CONSERVER CE MANUEL POUR
FUTURE RÉFÉRENCE**

**GUARDE ESTE MANUAL PARA
FUTURAS CONSULTAS**

TABLE OF CONTENTS

TABLE DES MATIÈRES / ÍNDICE DE CONTENIDO

■ Introduction	2
Introduction / Introducción	
■ General Safety Rules	3-4
Règles de sécurité générales / Reglas de seguridad generales	
■ Specific Safety Rules	4
Règles de sécurité particulières / Reglas de seguridad específicas	
■ Symbols	5
Symboles / Símbolos	
■ Electrical	6-7
Caractéristiques électriques / Aspectos eléctricos	
■ Features	8-9
Caractéristiques / Características	
■ Tools Needed	9
Outils nécessaires / Herramientas necesarias	
■ Loose Parts	10
Pièces détachées / Piezas sueltas	
■ Assembly	11-17
Assemblage / Armado	
■ Operation	17-24
Utilisation / Funcionamiento	
■ Adjustments	25-28
Réglages / Ajustes	
■ Maintenance	29-30
Entretien / Mantenimiento	
■ Warranty	31
Garantie / Garantía	
■ Parts Ordering and Service	Back page
Commande de pièces et réparation / Pedidos de piezas y servicio	

INTRODUCTION

INTRODUCTION / INTRODUCCIÓN

This product has many features for making its use more pleasant and enjoyable. Safety, performance, and dependability have been given top priority in the design of this product making it easy to maintain and operate.

* * *

Ce produit offre de nombreuses fonctions destinées à rendre son utilisation plus plaisante et satisfaisante. Lors de la conception de ce produit, l'accent a été mis sur la sécurité, les performances et la fiabilité, afin d'en faire un outil facile à utiliser et à entretenir.

* * *

Este producto ofrece numerosas características para hacer más agradable y placentero su uso. En el diseño de este producto se ha conferido prioridad a la seguridad, el desempeño y la fiabilidad, por lo cual se facilita su manejo y mantenimiento.

GENERAL SAFETY RULES

WARNING:

Read and understand all instructions. Failure to follow all instructions listed below, may result in electric shock, fire and/or serious personal injury.

READ ALL INSTRUCTIONS

- **KNOW YOUR POWER TOOL.** Read the operator's manual carefully. Learn the saw's applications and limitations as well as the specific potential hazards related to this tool.
- **GUARD AGAINST ELECTRICAL SHOCK BY PREVENTING BODY CONTACT WITH GROUNDED SURFACES.** For example, pipes, radiators, ranges, refrigerator enclosures.
- **KEEP GUARDS IN PLACE** and in good working order.
- **REMOVE ADJUSTING KEYS AND WRENCHES.** Form habit of checking to see that keys and adjusting wrenches are removed from tool before turning it on.
- **KEEP WORK AREA CLEAN.** Cluttered areas and benches invite accidents. **DO NOT** leave tools or pieces of tile on the saw while it is in operation.
- **DO NOT USE IN DANGEROUS ENVIRONMENTS.** Do not use power tools in damp or wet locations or expose to rain. Keep the work area well lit.
- **KEEP CHILDREN AND VISITORS AWAY.** All visitors should wear safety glasses and be kept a safe distance from work area. Do not let visitors contact tool or extension cord while operating.
- **MAKE WORKSHOP CHILDPROOF** with padlocks and master switches, or by removing starter keys.
- **DON'T FORCE TOOL.** It will do the job better and safer at the feed rate for which it was designed.
- **USE RIGHT TOOL.** Don't force the tool or attachment to do a job it was not designed for. Don't use it for a purpose not intended.
- **USE THE PROPER EXTENSION CORD.** Make sure your extension cord is in good condition. Use only a cord heavy enough to carry the current your product will draw. An undersized cord will cause a drop in line voltage resulting in loss of power and overheating. A wire gauge size (A.W.G.) of at least **14** is recommended for an extension cord 25 feet or less in length. If in doubt, use the next heavier gauge. The smaller the gauge number, the heavier the cord.
- **DRESS PROPERLY.** Do not wear loose clothing, gloves, neckties, or jewelry. They can get caught and draw you into moving parts. Rubber gloves and nonskid footwear (rubber soled boots) are recommended when working outdoors. Also wear protective hair covering to contain long hair.
- **ALWAYS WEAR EYE PROTECTION WITH SIDE SHIELDS WHICH IS MARKED TO COMPLY WITH ANSI Z87.1 WHEN USING THIS PRODUCT.**
- **SECURE WORK.** Use clamps or a vise to hold work when practical, it is safer than using your hand and frees both hands to operate the tool.
- **DON'T OVERREACH.** Keep proper footing and balance at all times.
- **MAINTAIN TOOLS WITH CARE.** Keep tools sharp and clean for better and safer performance. Follow instructions for lubricating and changing accessories.
- **DISCONNECT TOOLS.** When not in use, before servicing, or when changing attachments, wheels, bits, cutters, etc., all tools should be disconnected.
- **AVOID ACCIDENTAL STARTING.** Be sure switch is off when plugging in any tool.
- **USE RECOMMENDED ACCESSORIES.** Consult the operator's manual for recommended accessories. The use of improper accessories may risk injury.
- **NEVER STAND ON TOOL.** Serious injury could occur if the tool is tipped or if the cutting tool is unintentionally contacted.
- **CHECK DAMAGED PARTS.** Before further use of the tool, a guard or other part that is damaged should be carefully checked to determine that it will operate properly and perform its intended function. Check for alignment of moving parts, binding of moving parts, breakage of parts, mounting and any other conditions that may affect its operation. A guard or other part that is damaged must be properly repaired or replaced by an authorized service center to avoid risk of personal injury.
- **USE THE RIGHT DIRECTION OF FEED.** Feed work into a wheel or cutter against the direction of rotation of wheel or cutter only.
- **NEVER LEAVE TOOL RUNNING UNATTENDED. TURN THE POWER OFF.** Don't leave tool until it comes to a complete stop.
- **PROTECT YOUR LUNGS.** Wear a face or dust mask if the cutting operation is dusty.
- **PROTECT YOUR HEARING.** Wear hearing protection during extended periods of operation.
- **DO NOT ABUSE CORD.** Never carry tool by the cord or yank it to disconnect from receptacle. Keep cord from heat, oil, and sharp edges.
- **ALWAYS USE AN OUTDOOR EXTENSION CORD MARKED "W-A" OR "W".** These cords are rated for outdoor use and reduce the risk of electric shock.
- **ALWAYS KEEP THE WHEEL GUARD IN PLACE** and in working order.
- **KEEP HANDS AWAY FROM CUTTING AREA.** Keep hands away from wheels. Do not reach underneath work or around or over the wheel while wheel is rotating. Do not attempt to remove cut material when wheel is moving.
- **WHEEL COASTS AFTER BEING TURNED OFF.**

GENERAL SAFETY RULES




- **NEVER USE IN AN EXPLOSIVE ATMOSPHERE.** Normal sparking of the motor could ignite fumes.
- **INSPECT TOOL CORDS PERIODICALLY.** If damaged, have repaired by a qualified service technician at an authorized service facility. The conductor with insulation having an outer surface that is green with or without yellow stripes is the equipment-grounding conductor. If repair or replacement of the electric cord or plug is necessary, do not connect the equipment-grounding conductor to a live terminal. Repair or replace a damaged or worn cord immediately. Stay constantly aware of cord location and keep it well away from the rotating wheel.
- **INSPECT EXTENSION CORDS PERIODICALLY** and replace if damaged.
- **GROUND ALL TOOLS.** If tool is equipped with three-prong plug, it should be plugged into a three-hole electrical receptacle.
- **ONLY POWER THE TOOL WITH A GFCI (GROUND FAULT CIRCUIT INTERRUPTOR) PROTECTED OUTLET.**
- **CHECK WITH A QUALIFIED ELECTRICIAN** or service personnel if the grounding instructions are not completely understood or if in doubt as to whether the tool is properly grounded.
- **USE ONLY CORRECT ELECTRICAL DEVICES:** 3-wire extension cords that have 3-prong grounding plugs and 3-pole receptacles that accept the tool's plug.
- **DO NOT MODIFY** the plug provided. If it will not fit the outlet, have the proper outlet installed by a qualified electrician.
- **KEEP TOOL DRY, CLEAN, AND FREE FROM OIL AND GREASE.** Always use a clean cloth when cleaning. Never use brake fluids, gasoline, petroleum-based products, or any solvents to clean tool.
- **STAY ALERT AND EXERCISE CONTROL.** Watch what you are doing and use common sense. Do not operate tool when you are tired. Do not rush.
- **DO NOT USE TOOL IF SWITCH DOES NOT TURN IT ON AND OFF.** Have defective switches replaced by an authorized service center.
- **USE ONLY CORRECT WHEELS.** Do not use wheels with incorrect size holes. Never use washers or arbor nuts that are defective or incorrect. The maximum wheel capacity of your saw is 8 in. (203 mm).
- **BEFORE MAKING A CUT, BE SURE ALL ADJUSTMENTS ARE SECURE.**
- **NEVER TOUCH WHEEL** or other moving parts during use.
- **NEVER START A TOOL WHEN ANY ROTATING COMPONENT IS IN CONTACT WITH THE WORKPIECE.**
- **DO NOT OPERATE A TOOL WHILE UNDER THE INFLUENCE OF DRUGS, ALCOHOL, OR ANY MEDICATION.**
- **WHEN SERVICING** use only identical replacement parts. Use of any other parts may create a hazard or cause product damage.
- **USE ONLY RECOMMENDED ACCESSORIES** listed in this manual or addendums. Use of accessories that are not listed may cause the risk of personal injury. Instructions for safe use of accessories are included with the accessory.
- **DOUBLE CHECK ALL SETUPS.** Make sure wheel is tight and not making contact with saw or workpiece before connecting to power supply.

SPECIFIC SAFETY RULES







- **SECURE WORK** firmly against the miter guide or fence.
- **NEVER** stand or have any part of your body in line with the path of the wheel.
- **NEVER** attempt to free a stalled wheel without first turning the saw **OFF** and disconnecting the saw from the power source.
- **IF THE POWER SUPPLY CORD IS DAMAGED,** it must be replaced only by the manufacturer or by an authorized service center to avoid risk.
- **AVOID AWKWARD OPERATIONS AND HAND POSITIONS** where a sudden slip could cause your hand to move into the cutting tool.
- **MAKE SURE THE WORK AREA HAS AMPLE LIGHTING** to see the work and that no obstructions will interfere with safe operation **BEFORE** performing any work using the saw.
- **ALWAYS TURN OFF SAW** before disconnecting it, to avoid accidental starting when reconnecting to power supply.
- **THIS TOOL** should have the following markings:
 - a) Wear eye, hearing, and breathing protection.
 - b) Use wheel guard for every operation for which it can be used.
 - c) Disconnect saw before servicing, when changing cutting wheels, and cleaning.
 - d) Use tool only with smooth edge cutting wheels free of openings, grooves, and teeth.
 - e) Replace damaged cutting wheel before operating.
 - f) Do not fill water bath above water fill line.
- **SAVE THESE INSTRUCTIONS.** Refer to them frequently and use to instruct other users. If you loan someone this tool, loan them these instructions too.

SYMBOLS

The following signal words and meanings are intended to explain the levels of risk associated with this product.

SYMBOL	SIGNAL	MEANING
	DANGER:	Indicates a hazardous situation, which, if not avoided, will result in death or serious injury.
	WARNING:	Indicates a hazardous situation, which, if not avoided, could result in death or serious injury.
	CAUTION:	Indicates a hazardous situation, that, if not avoided, may result in minor or moderate injury.
	NOTICE:	(Without Safety Alert Symbol) Indicates information considered important, but not related to a potential injury (e.g. messages relating to property damage).

Some of the following symbols may be used on this product. Please study them and learn their meaning. Proper interpretation of these symbols will allow you to operate the product better and safer.

SYMBOL	NAME	DESIGNATION/EXPLANATION
	Safety Alert	Indicates a potential personal injury hazard.
	Read Operator's Manual	To reduce the risk of injury, user must read and understand operator's manual before using this product.
	Eye, Ear, & Breathing Protection	Always wear eye protection with side shields marked to comply with ANSI Z87.1 along with hearing and breathing protection.
	Wet Conditions Alert	Do not expose to rain or use in damp locations.
	No Hands	Failure to keep your hands away from the wheel will result in serious personal injury.
	Electrocution	Failure to properly ground can result in electrocution.
V	Volts	Voltage
A	Amperes	Current
Hz	Hertz	Frequency (cycles per second)
min	Minutes	Time
~	Alternating Current	Type of current
n ₀	No-Load Speed	Rotational speed, at no load
.../min	Per Minute	Revolutions, strokes, surface speed, orbits etc., per minute

ELECTRICAL

EXTENSION CORDS

Use only 3-wire extension cords that have 3-prong grounding plugs and 3-pole receptacles that accept the tool's plug. When using a power tool at a considerable distance from the power source, use an extension cord heavy enough to carry the current that the tool will draw. An undersized extension cord will cause a drop in line voltage, resulting in a loss of power and causing the motor to overheat. Use the chart provided below to determine the minimum wire size required in an extension cord. Only round jacketed cords listed by Underwriter's Laboratories (UL) should be used.

**Ampere rating (on tool data plate)

Cord Length	Wire Size (A.W.G.)					
	0-2.0	2.1-3.4	3.5-5.0	5.1-7.0	7.1-12.0	12.1-16.0
25'	16	16	16	16	14	14
50'	16	16	16	14	14	12
100'	16	16	14	12	10	—

**Used on 12 gauge - 20 amp circuit.

NOTE: AWG = American Wire Gauge

Always use an extension cord that is designed for outside use. This is indicated by the letters "W-A" or "W" on the cord's jacket.

Before using an extension cord, inspect it for loose or exposed wires and cut or worn insulation.

Use only extension cords that are intended for outdoor use. These extension cords are identified by a marking "Acceptable for use with outdoor appliances; store indoors while not in use". Use only extension cords having an electrical rating not less than the rating of the product. Do not use damaged extension cords. Examine extension cord before using and replace if damaged. Do not abuse extension cords and do not yank on any cord to disconnect. Keep cord away from heat and sharp edges. Always disconnect the extension cord from the receptacle before disconnecting the product from the extension cord.

WARNING:

Keep the extension cord clear of the working area. Position the cord so that it will not get caught on lumber, tools or other obstructions while you are working with a power tool. Failure to do so can result in serious personal injury.

WARNING:

Check extension cords before each use. If damaged replace immediately. Never use tool with a damaged cord since touching the damaged area could cause electrical shock resulting in serious injury.

ELECTRICAL CONNECTION

This tool is powered by a precision built electric motor. It should be connected to a **power supply that is 120 V, AC only (normal household current), 60 Hz**. Do not operate this tool on direct current (DC). A substantial voltage drop will cause a loss of power and the motor will overheat. If the saw does not operate when plugged into an outlet, double check the power supply.

SPEED AND WIRING

The no-load speed of this tool is approximately 5,000 rpm. This speed is not constant and decreases under a load or with lower voltage. For voltage, the wiring in a shop is as important as the motor's horsepower rating. A line intended only for lights cannot properly carry a power tool motor. Wire that is heavy enough for a short distance will be too light for a greater distance. A line that can support one power tool may not be able to support two or three tools.

GROUNDING INSTRUCTIONS

See Figure 1.

This tool must be grounded. In the event of a malfunction or breakdown, grounding provides a path of least resistance for electric current to reduce the risk of electric shock. This tool is equipped with an electric cord having an equipment-grounding conductor and a grounding plug. The plug must be plugged into a matching outlet that is properly installed and grounded in accordance with all local codes and ordinances.

Do not modify the plug provided. If it will not fit the outlet, have the proper outlet installed by a qualified electrician.

WARNING:

Improper installation of the grounding plug can result in a risk of electric shock. When repair or replacement of the cord is required, do not connect the grounding wire to either flat blade terminal. The wire with insulation having an outer surface that is green with or without yellow stripes is the grounding wire.

Check with a qualified electrician or service personnel if the grounding instructions are not completely understood, or if in doubt as to whether the tool is properly grounded.

Repair or replace a damaged or worn cord immediately.

This product is for use on a nominal 120 volt circuit and has a grounding plug similar to the plug illustrated in figure 1. Only connect the product to an outlet having the same configuration as the plug. Do not use an adapter with this product.

Ground Fault Circuit Interrupter (GFCI) protection should be provided on the circuit(s) or outlet(s) to be used for the tile saw. Outlets are available having built-in GFCI protection and may be used for this measure of safety.

ELECTRICAL

If the saw is used with an extension cord, ensure the connection of the tool's power cord and the extension cord are not on the ground.

If a protected outlet is not available, do not use the saw until an outlet can be changed or auxiliary protection can be obtained. These auxiliary protection devices are available at your local retailer.

POSITION OF THE TILE SAW

See Figure 2.

To avoid the possibility of the tool plug or outlet getting wet, position tile saw to one side of a wall-mounted outlet to prevent water from dripping onto the outlet or plug. The operator should arrange a "drip loop" in the cord connecting the saw to the outlet. The "drip loop" is that part of the cord below the level of the outlet, or the connector if an extension cord is used, to prevent water traveling along the cord and coming in contact with the outlet.

If the plug or outlet does get wet, DO NOT unplug the cord. Disconnect the fuse or circuit breaker that supplies power to the tool then unplug and examine for the presence of water in the outlet.

WARNING:

To reduce the risk of electrocution, keep all connections dry and off the ground. Do not touch the plug with wet hands.

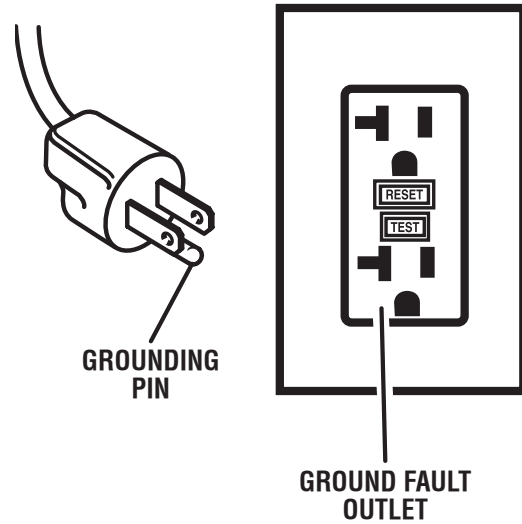


Fig. 1

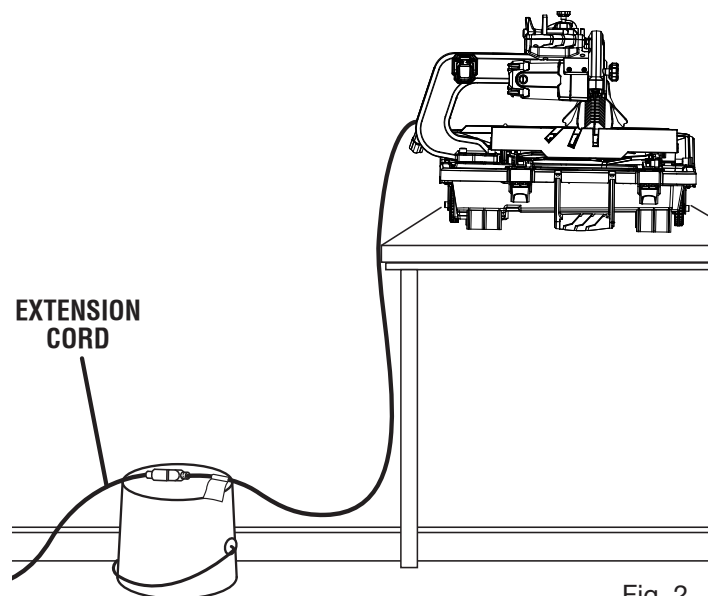
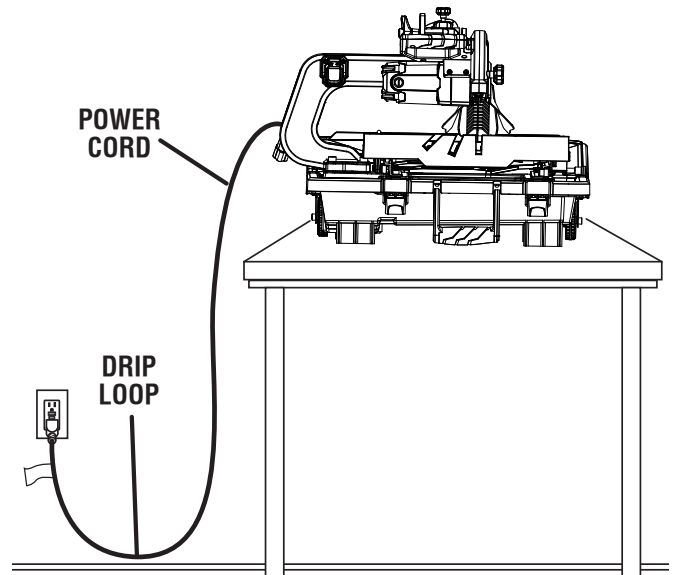


Fig. 2

FEATURES

PRODUCT SPECIFICATIONS

Wheel Diameter8 in.
 Wheel Arbor..... 5/8 in.
 Rip Capacity (Tile size).....24 in.

Diagonal Capacity (Tile size)18 in.
 Maximum Depth of Cut.....2-3/4 in.
 Rating120 V~, 12 Amps, 60 Hz
 No Load Speed5,000 r/min. (RPM)

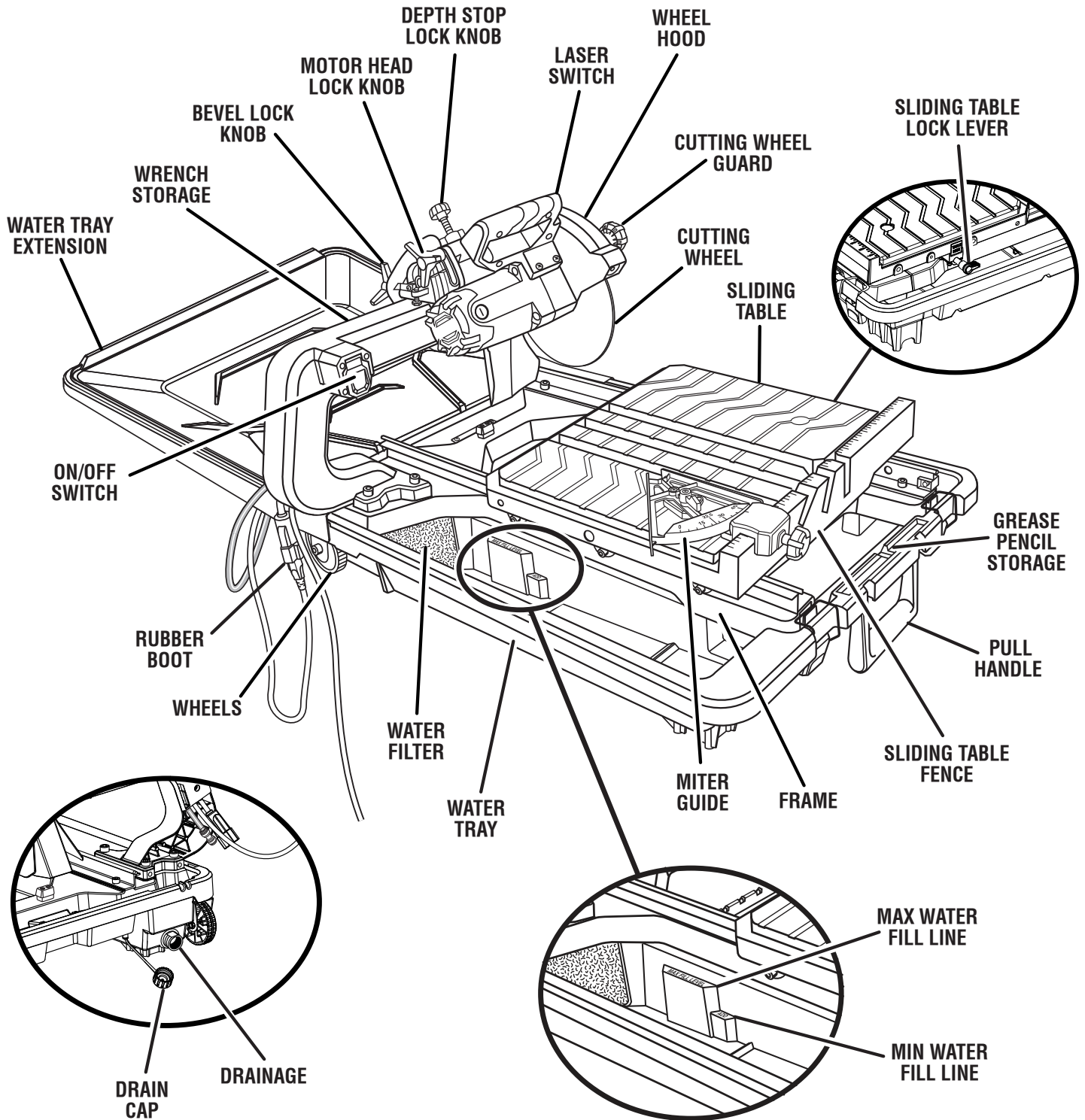


Fig. 3

FEATURES

KNOW YOUR TILE SAW

See Figure 3.

The safe use of this product requires an understanding of the information on the tool and in this operator's manual as well as a knowledge of the project you are attempting. Before use of this product, familiarize yourself with all operating features and safety rules.

8 in. TILE CUTTING WHEEL - An 8 in. tile cutting wheel is included with your saw.

WARNING:

Do not use wheels rated less than the speed of this tool. Failure to heed this warning could result in personal injury.

BEVEL LOCK KNOB - The bevel lock knob securely locks the saw head at any bevel angle between 0° and 45°. It is recommended that you only make bevel cuts at 0°, 22.5°, and 45° angles.

WARNING:

Making bevel cuts at angles other than 0°, 22.5°, and 45° angles could cause the cutting wheel to come in contact with the sliding table resulting in damage to the unit and/or possible serious injury.

ADJUSTABLE LASER ALIGNMENT SYSTEM - For more accurate cuts, a laser guide is included with the tile saw. When used properly, the laser guide makes accurate, precision cutting simple and easy. Simply push the button to turn the laser on or off.

MITER GUIDE - The easy-to-read indicator on the miter guide shows the exact angle for a miter cut with detents at 0°, 22.5°, and 45°.

ON/OFF SWITCH - This saw has an easy access power switch located on the saw arm. To lock the switch, install a padlock (not included) through the hole in the switch trigger. When the lock is installed and locked, the switch is inoperable. Store the padlock key in another location.

SLIDING TABLE - The sliding table allows the user to slide the workpiece into the cutting wheel for accurate cuts.

SPLASH GUARD ASSEMBLY WITH TOOLES REMOVABLE SIDE GUARD - The splash guard helps contain spray and mist.

SUBMERSIBLE PUMP - The submersible pump (not shown) provides water to the cutting wheel.

WATER TRAY EXTENSION - When cutting larger tile, the extension keeps work area cleaner and drier.

WRENCH STORAGE - The tile saw has a convenient storage area specifically designed for wrenches.

TOOLS NEEDED

The following tools (not included or drawn to scale) are needed for assembly and alignment:

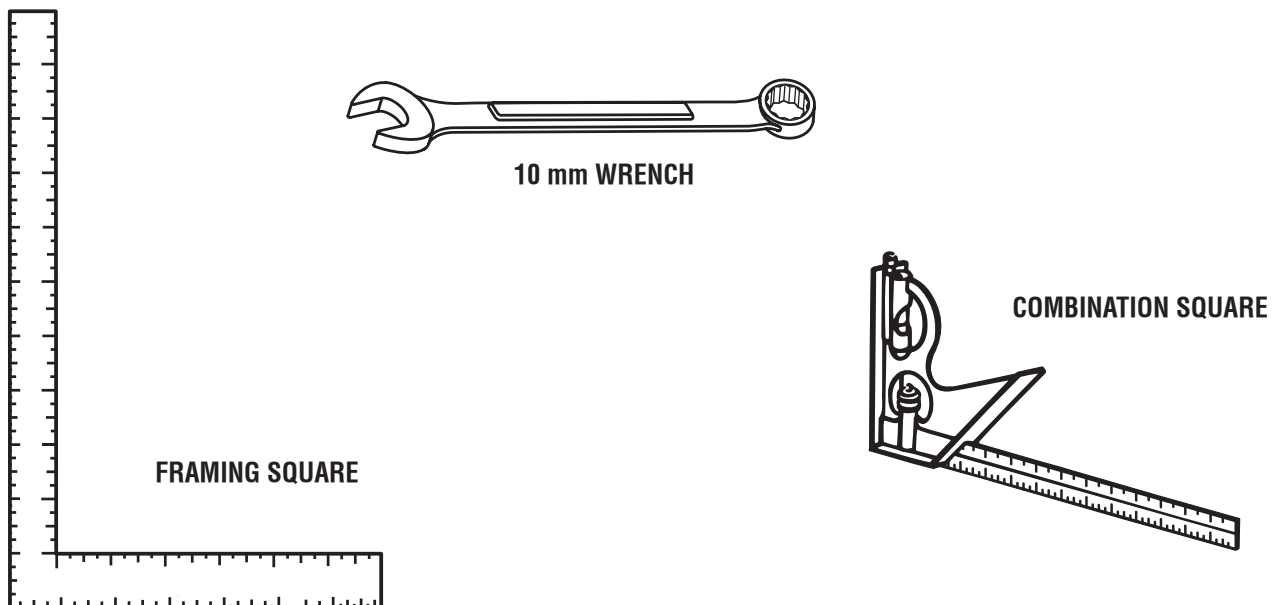


Fig. 4

LOOSE PARTS

The following items are included with your tile saw:

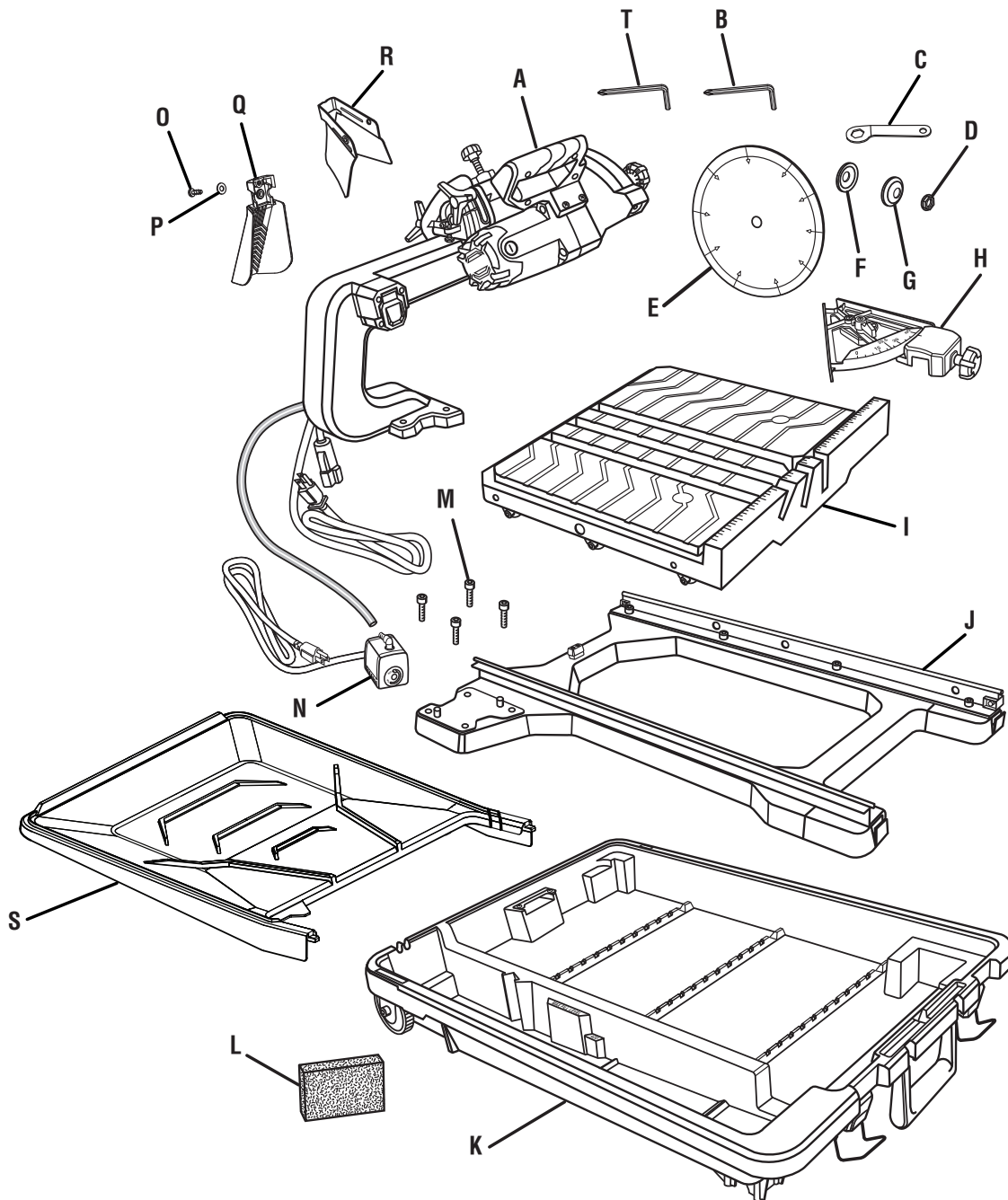


Fig. 5

A - Motor head assembly.....	1	K - Water tray	1
B - Hex key (6 mm).....	1	L - Water filter	1
C - Wheel wrench.....	1	M- Cap screw	4
D - Arbor nut.....	1	N - Water pump.....	1
E - Cutting wheel	1	O - Screw.....	1
F - Inner washer	1	P - Washer.....	1
G - Outer washer	1	Q - Rear splash guard	1
H- Miter guide	1	R - Side splash guard.....	1
I - Sliding table.....	1	S - Water tray extension.....	1
J - Frame	1	T - Hex key (2.5 mm).....	1

ASSEMBLY

UNPACKING

See Figure 5.

This product requires assembly.

- Carefully lift the parts from the carton and place on a level work surface.

NOTE: Many of the Loose Parts are stored in the water reservoir.

WARNING:

Do not use this product if any parts on the Loose Parts list are already assembled to your product when you unpack it. Parts on this list are not assembled to the product by the manufacturer and require customer installation. Use of a product that may have been improperly assembled could result in serious personal injury.

- Inspect the tool carefully to make sure no breakage or damage occurred during shipping.
- Do not discard the packing material until you have carefully inspected and satisfactorily operated the tool.
- The saw is factory set for accurate cutting. After assembling it, check for accuracy. If shipping has influenced the settings, refer to specific procedures explained in this manual.
- If any parts are damaged or missing, please call 1-866-539-1710 for assistance.

WARNING:

If any parts are damaged or missing do not operate this tool until the parts are replaced. Use of this product with damaged or missing parts could result in serious personal injury.

WARNING:

Do not attempt to modify this tool or create accessories not recommended for use with this tool. Any such alteration or modification is misuse and could result in a hazardous condition leading to possible serious personal injury.

WARNING:

Do not connect to power supply until assembly is complete. Failure to comply could result in accidental starting and possible serious personal injury.

INSTALLING MOTOR HEAD ASSEMBLY TO FRAME

See Figure 6.

- Align the holes in the motor head assembly with the holes on the frame.
- Lower the motor head assembly onto the posts.
- Thread socket head screws through motor head assembly and into holes on frame.
- Tighten screws using the 6 mm hex key (provided).

NOTE: Wrench storage is located in the back of the motor head assembly.

- Set motor head and frame assembly aside.

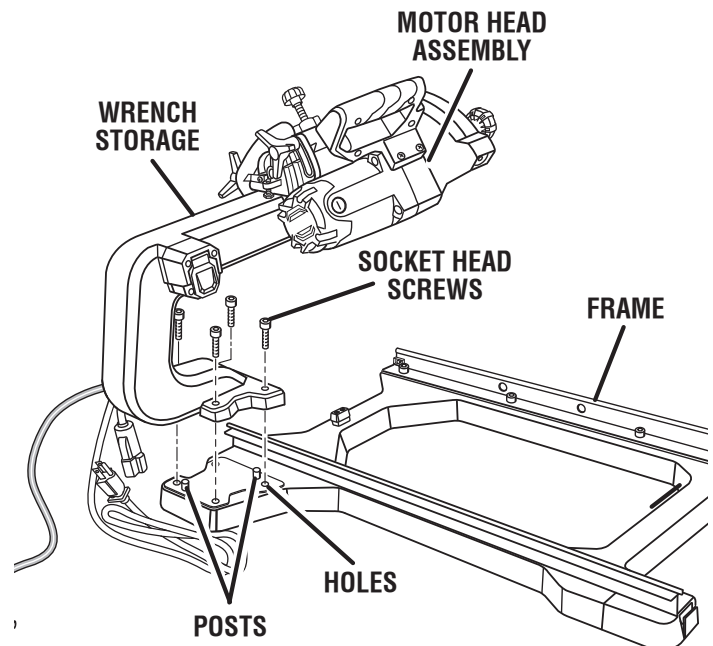


Fig. 6

ASSEMBLY

INSTALLING WATER FILTER AND WATER PUMP

See Figures 7 - 9.

The water pump recirculates water from the tray to the cutting wheel.

- Locate filter slots and pump well in water tray. Pump well is marked, “pump well.”
- Slide filter into filter slots, as shown.
- Locate the “Max/Min” water flow selector on the pump. For best performance, start with the flow to “Max” to control the flow of water over the wheel.

NOTE: Water flow can be adjusted during use by removing the filter, reaching into water well and turning flow selector on pump. Reinsert filter.

- Place water pump into pump well.

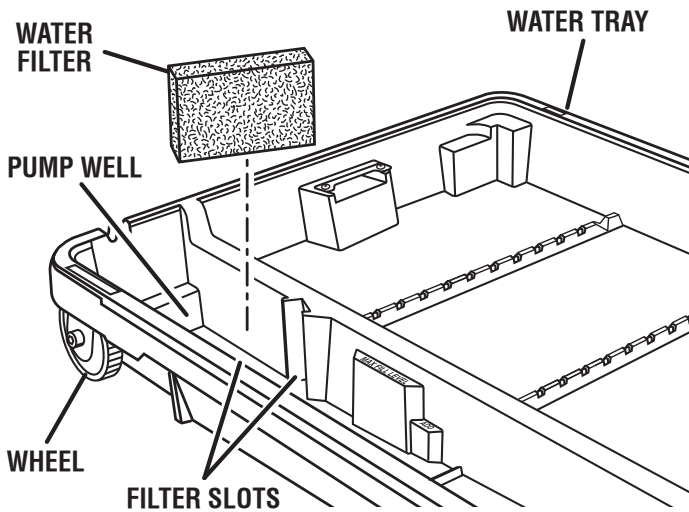


Fig. 7

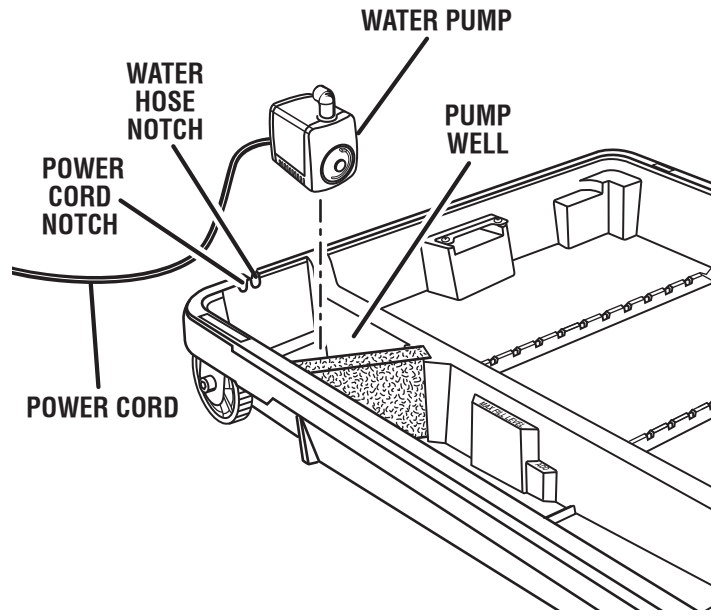
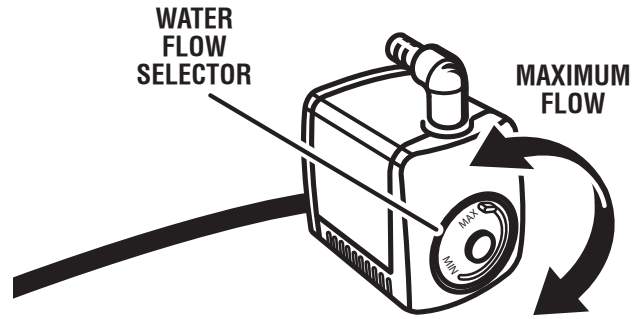


Fig. 8

ASSEMBLY

INSTALLING WATER TRAY

See Figure 8 - 9.

- Place the water tray, with the pump and filter in place, on a sturdy flat surface or on level ground.
- Attach the water hose to the pump elbow.
- Carefully lift the motor head and water tray frame assembly over the water tray, as shown.
- Tilt the water tray frame and insert heavy duty tab into the bar slot on water tray.
- Secure the water tray frame in place with latches on front of the water tray.

- Connect the pump power cord to the motor head power cord. Check that the rubber boot is pulled over cord connection to help keep water off the plug.

NOTE: The pump turns on when the motor is turned on. Let the cutting wheel build up to full speed and wait for the wheel to get wet before moving the material into the wheel.

- Rest power cord and water hose in the notches provided on the water tray.

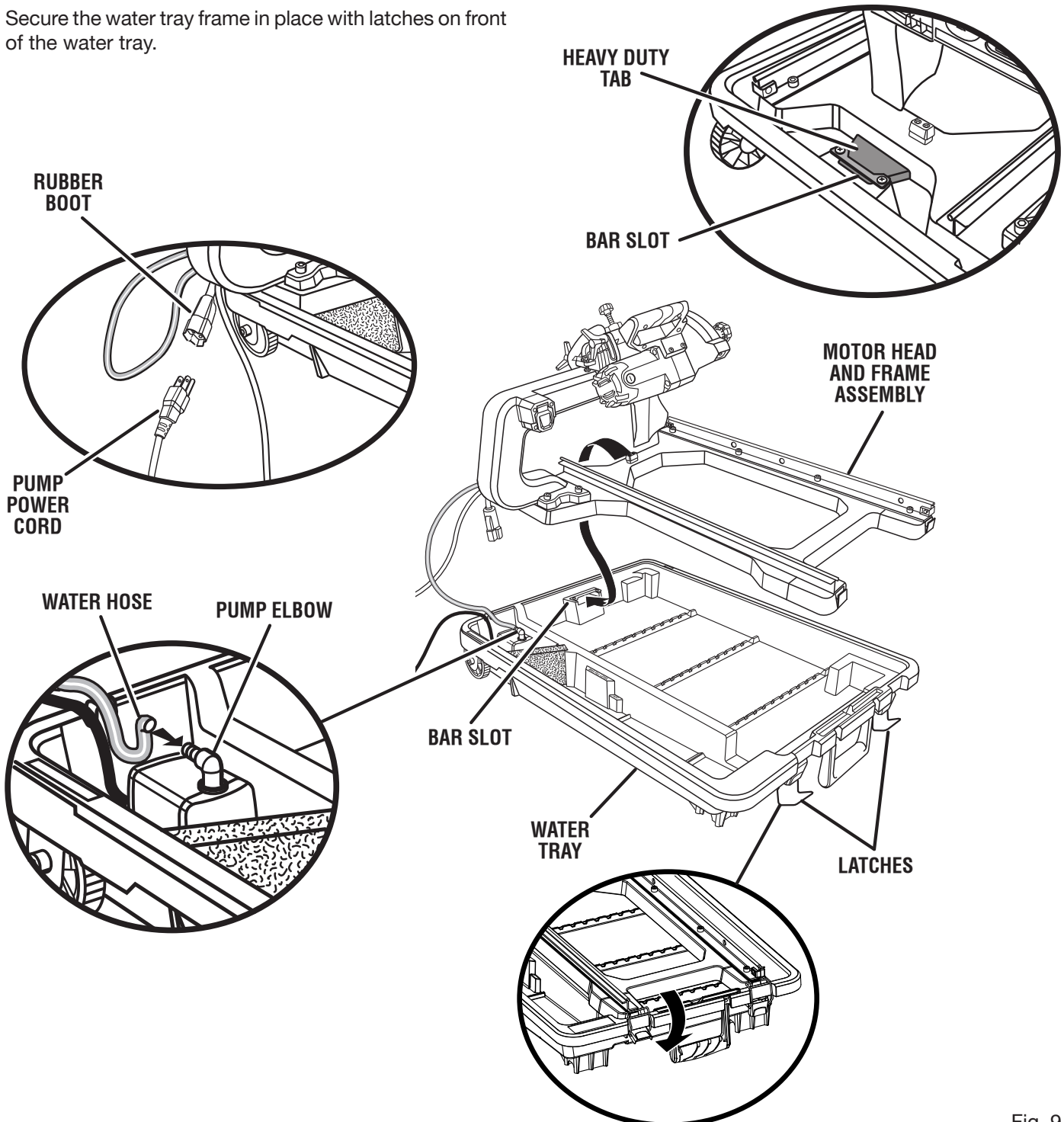


Fig. 9

ASSEMBLY

INSTALLING THE SLIDING TABLE

See Figure 10.

To install the sliding table:

- Grasp the table firmly and set the rollers on the front of rails.
- Holding the table parallel with the frame, push the table toward the back of the saw.
- When the table lock lever reaches the stop on the front rail on the right hand side of the frame, pull the lever out and hold it out until the lock has passed the stop. Release the lever.
- Slide the table along the rails until the final rollers engage the rails.

To lock sliding table:

- Pull the table lock lever out and turn 90° counterclockwise.
- Release the lever.

NOTE: When the sliding table is installed, and you push the table, it will “click” into place. This is the table lock lever snapping into a hole in the frame locking the table in place.

To unlock the sliding table:

- Pull the table lock lever out and turn 90° clockwise.

TILE CUTTING WHEEL

For maximum performance and safety, it is recommended that you use the 8 in. cutting wheel provided with your saw. Additional cutting wheels of the same high quality are available at your local dealer.

WARNING:

Do not use cutting wheels rated less than the no load speed of this tool. Failure to heed this warning could result in personal injury. Do not use wheel with cracks, gaps, or teeth.

INSTALLING THE CUTTING WHEEL

See Figure 11.

WARNING:

A 8 in. tile cutting wheel is the maximum wheel capacity of the saw. Never use a wheel that is too thick to allow wheel washer to engage with the flats on the arbor. Larger wheels will come in contact with the splash hood, while thicker wheels will prevent the wheel bolt from securing the wheel on the arbor. Either of these situations could result in a serious accident and can cause serious personal injury.

- Unplug the saw.
- Lock table in front position.
- Loosen wheel guard knob by turning counterclockwise and open the cutting wheel guard.

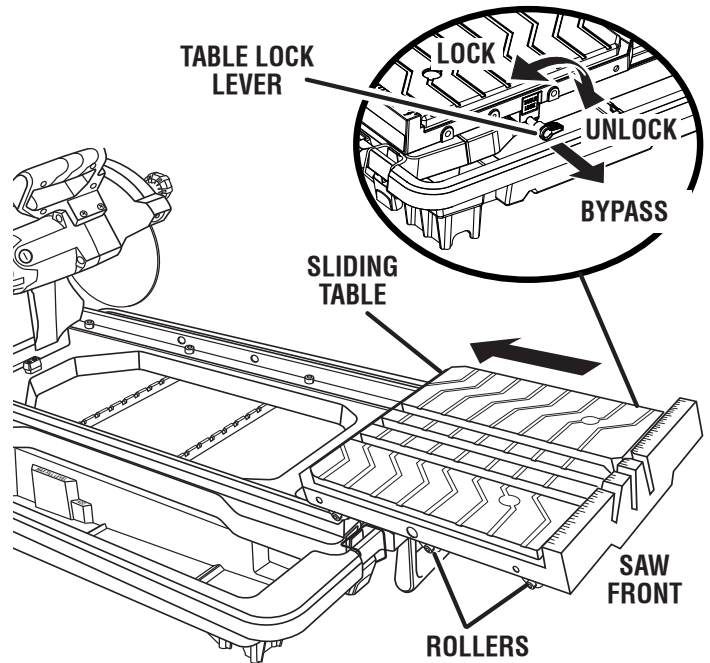


Fig. 10

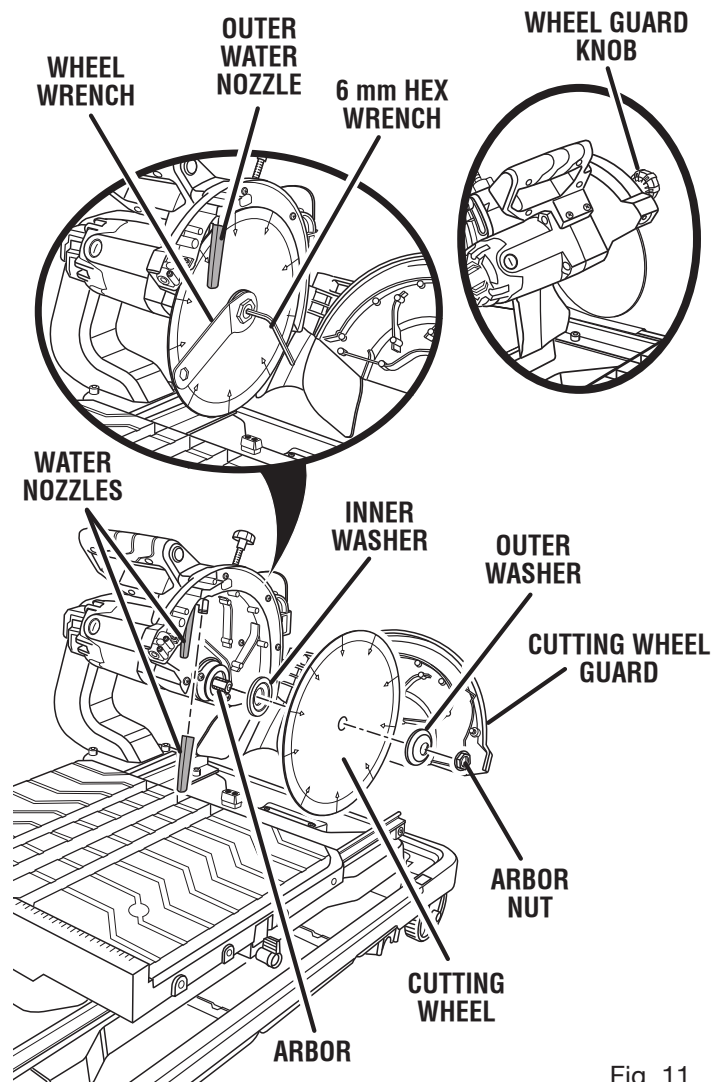


Fig. 11

ASSEMBLY

- Place the wheel wrench on the arbor nut then slide the 6 mm hex wrench into the arbor.
- Holding the hex wrench firmly to prevent movement, turn the wheel wrench counterclockwise to loosen.
- Remove the arbor nut and outer washer, leaving the inner washer on the arbor.

⚠ WARNING:

If inner washer has been removed, replace it before placing wheel on arbor. Failure to do so could cause an accident since the wheel will not tighten properly. Never use wheels that have openings, grooves, or teeth on this tool.

- Place the cutting wheel onto arbor with the arrows on wheel going in the counterclockwise direction.

NOTE: Two water nozzles come installed on this product. Be sure to install cutting wheel so that there is a water nozzle on each side of cutting wheel with water ports facing the cutting wheel. The outer water nozzle can be easily removed for installation of cutting wheel. Check that outer nozzle outlet hole has been reattached with water port facing toward the cutting wheel.

- Replace the outer washer. The double “D” flats on the washers align with the flats on the arbor.
- Replace the arbor nut on the arbor. Using wheel wrench and arbor wrench, tighten arbor nut securely.

INSTALLING SPLASH GUARD ASSEMBLY

See Figures 12 - 14.

The splash guard on this saw is a two-part assembly.

Attaching rear splash guard:

- Line up rear splash guard holes with screw hole and post on back of cutting wheel guard, as shown.

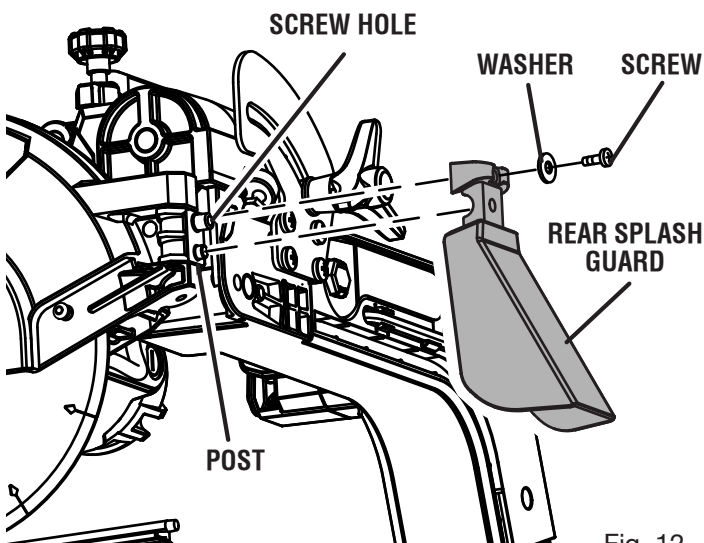


Fig. 12

- Insert screw through washer and splash guard then thread into screw hole.
- Tighten securely. Be careful not to overtighten.

Attaching side splash guard:

- Install side splash guard over the rear splash guard.
- Insert post, located on side of cutting wheel guard, through hole in side flap of guard.
- Settle splash guard grooves over ridges in cutting wheel guard.
- Repeat with other side.
- After assembly is complete, pull rear splash guard outward so flaps rest over side splash guard.

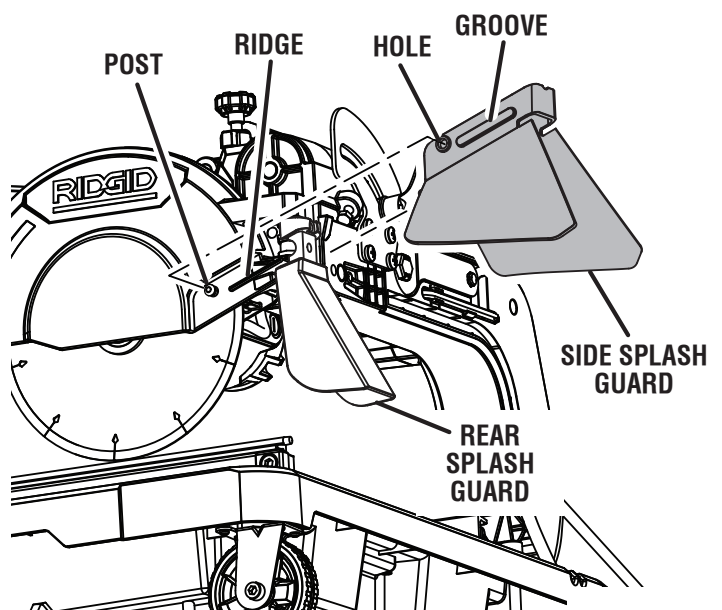


Fig. 13

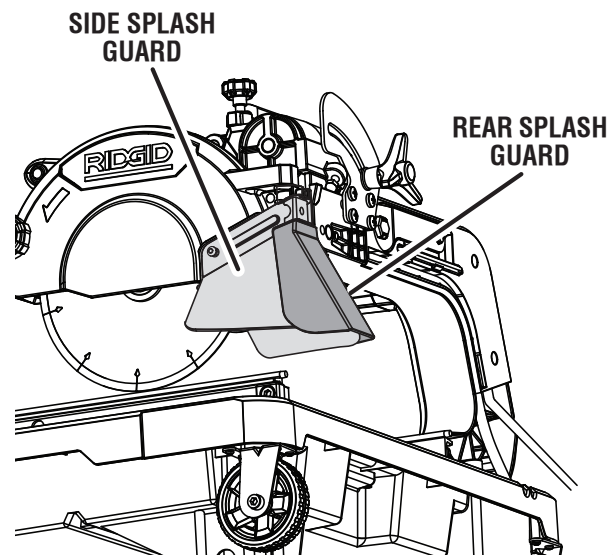


Fig. 14

ASSEMBLY

INSTALLING WATER TRAY EXTENSION

See Figure 15.

- Standing at the back of the saw, hold the water tray extension with the tray tabs toward the slots.
- Tilt the tray and slip the tray tabs between the frame top and frame bottom. **Tray should be over pump power cord and water hose.**
- Once the extension slides into place, lower until the tray tabs fit into the holes under frame.

INSTALLING THE MITER GUIDE

See Figure 16.

The miter guide can be used from both the left and right side of the cutting wheel.

- Place the slot on the underside of the miter guide on the sliding table fence.
- Lock the miter guide securely to the table by turning the miter guide knob clockwise.

To adjust angles:

- Loosen the miter guide knob.
- Set to the desired angle by moving the guide left or right.
- Tighten the knob securely.

FILLING/CHANGING THE WATER RESERVOIR

See Figure 17.

- Install drain cap.
- Fill the water reservoir with clean tap water to the fill line. Do not fill past the “maximum” line on the tray.

To change reservoir water:

- Unplug the saw.
- Remove the drain cap and empty waste water into a bucket. Do not allow the water to splash onto the ground or around the machine.
- Rinse the water reservoir thoroughly.
- Discard the waste water in accordance with local regulations.
- Replace the drain cap and refill tray with clean water.

NOTE: Drain fits standard size garden hose.

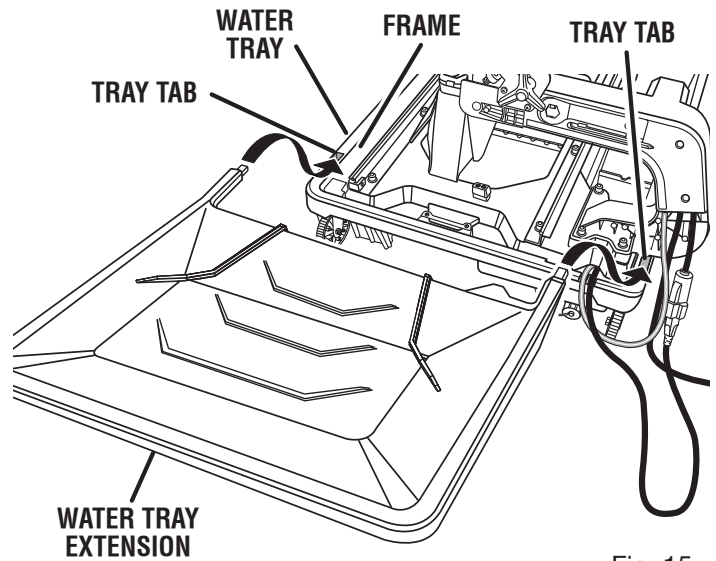


Fig. 15

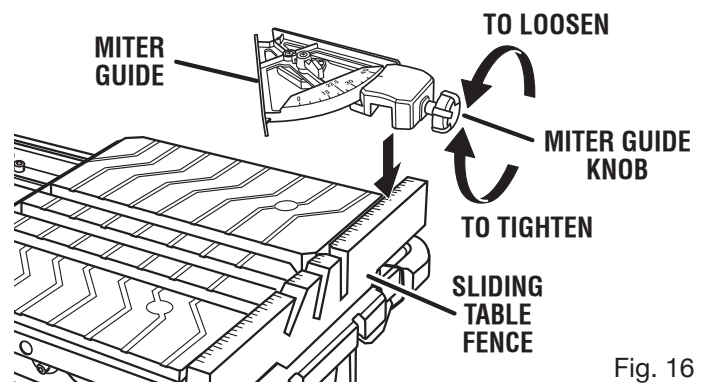


Fig. 16

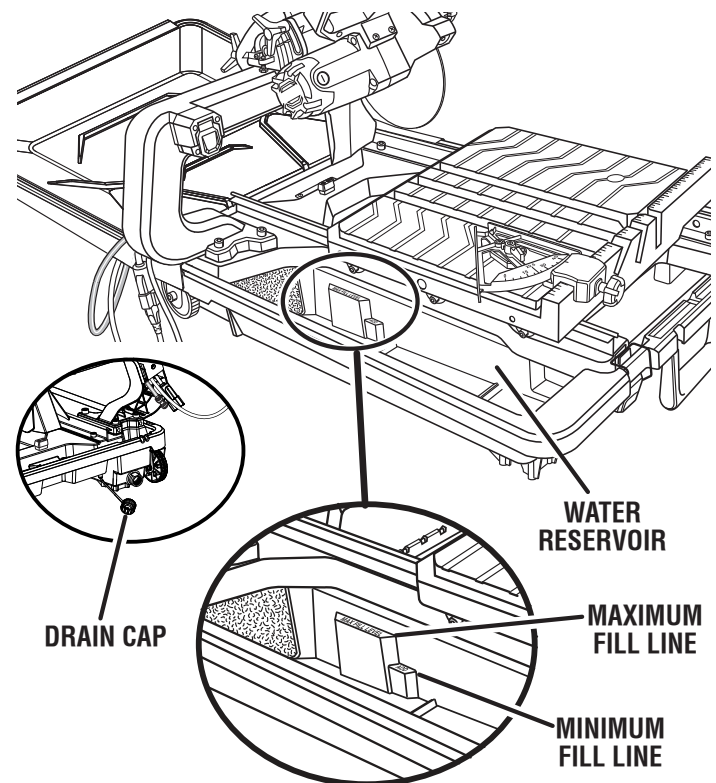


Fig. 17

ASSEMBLY

TRANSPORTING THE TILE SAW

See Figure 18.

- Lock the sliding table.
- Remove the water tray extension.
- Be sure the hoses and cords do not drag on the ground.
- Saw is easily moved, using pull handle and wheels.



Fig. 18

OPERATION

⚠ WARNING:

Do not allow familiarity with tools to make you careless. Remember that a careless fraction of a second is sufficient to inflict serious injury.

⚠ WARNING:

Always wear eye protection with side shields marked to comply with ANSI Z87.1 along with hearing and breathing protection. Failure to do so could result in objects being thrown into your eyes, resulting in possible serious injury.

⚠ WARNING:

Do not use any attachments or accessories not recommended by the manufacturer of this tool. The use of attachments or accessories not recommended can result in serious personal injury.

APPLICATIONS

This saw is designed to cut man-made tile, pavers, stone tile, and pavers up to 4 in maximum.

You may use this tool for the purposes listed below:

- Straight line cutting operations such as cross cutting, mitering, ripping, plunging, and beveling
- Cutting garden stone

OPERATION

ON/OFF SWITCH

See Figure 19.

To turn your saw on:

- Lift the switch to turn on.

To turn your saw off:

- Press the switch down to turn off.

To lock your saw:

- With the saw turned off, install a padlock (not included) through the hole in the switch.

WARNING:

In the event of a power failure or when the tool is not in use, turn the on/off switch off. This action will prevent the tool from accidentally starting when power returns.

WARNING:

ALWAYS make sure your workpiece is not in contact with the cutting wheel before operating the switch to start the tool. Failure to heed this warning can cause the workpiece to be kicked back toward the operator and result in serious personal injury.

WARNING:

To reduce the risk of accidental starting, ALWAYS make sure the on/off switch is in the off position before plugging tool into the power source.

LOCKING/UNLOCKING THE MOTOR HEAD FOR PLUNGE CUTS

See Figure 20.

To unlock and raise the motor head:

- Firmly grasp the “D” handle and apply downward pressure while at the same time turning the motor head lock knob counterclockwise.
- Slowly raise the motor head.

To lock the motor head:

- Firmly grasp the “D” handle and apply downward pressure while at the same time turning the motor head lock knob clockwise to lock.

NOTE: For all through cuts, place the saw in the locked position.

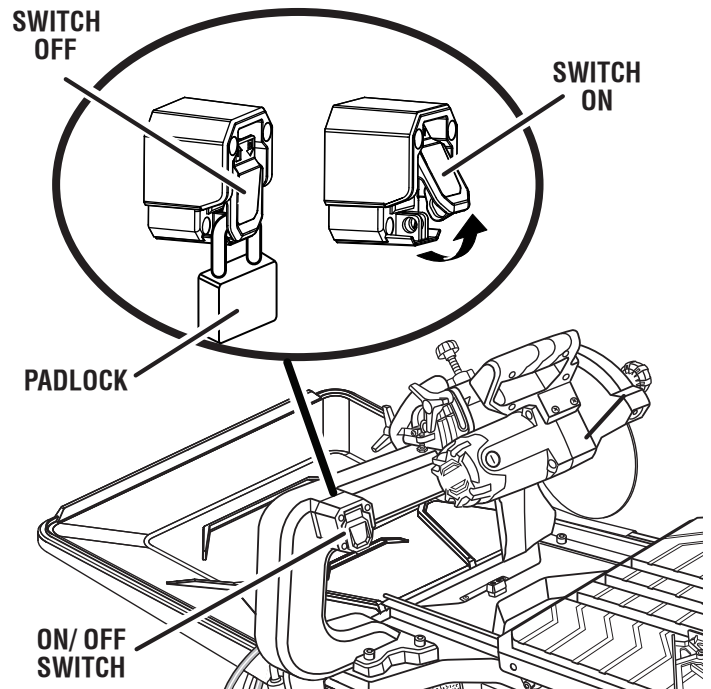


Fig. 19

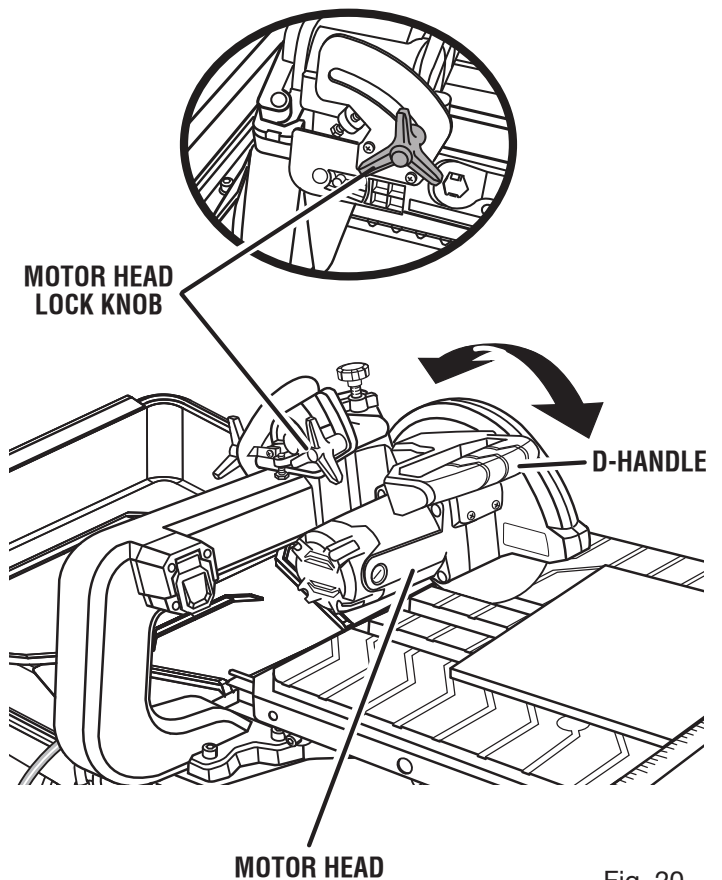


Fig. 20

OPERATION

MAKING CUTS

Always draw the line to be cut on the tile using a marker or grease pencil. If the tile is shiny and hard-to-mark, place masking tape on the tile and mark the tape.

A common problem when cutting tile is straying from the marked line. Once you've strayed from the mark, you can not force the wheel back to the line by twisting the tile. Instead, back up and recut the tile slicing off a small amount of tile until the wheel is back on track.

To avoid this problem, use the miter guide whenever possible.

Another problem is cutting difficult material. To prevent chipping of the material at the end of the cut, use a plunge cut.

NOTE: A more shallow blade adjustment may help minimize chipping, see the **Depth stop adjustments** section.

Clean the saw table and miter guide frequently during use. Debris from the cut material can interfere with tool function.

⚠ DANGER:

Laser radiation. Avoid direct eye contact with light source.

⚠ WARNING:

Use of controls or adjustments or performance of procedures other than those specified herein may result in hazardous radiation exposure.

USING THE LASER GUIDE

See Figure 21.

Using a straight edge or square, draw a mark on the tile with a marker or grease pencil. Turn the laser on and off by pressing the laser guide switch located on the side of the "D" handle. When the laser is turned on it will generate a red line on the work surface. This line will let you see your mark and the laser guide line at the same time, and will assist you in lining up the mark for more accurate cutting of the tile.

NOTE: Laser may be difficult to see in bright sunlight.

With the wheel in the cutting position, move the tile until the mark and the laser line are aligned.

Make several practice cuts on different styles and thickness of material. Repeat the steps as necessary.

Removing Your Mark:

Position the tile so that the laser line is near the left edge of your mark in order to remove the mark.

To Cut Your Mark:

Position the tile so that the laser line is near or over your mark in order to cut the mark.

To Leave Your Mark:

Position the tile so that the laser line is near the right edge of your mark in order to leave the mark.

After you have become familiar with using the laser guide, you will be able to remove, cut, or leave your mark on the work surface. Practice will teach you the correct position for aligning your mark with the laser line.

To adjust the position of the laser guide line, refer to the *Adjustments* section later in this manual.

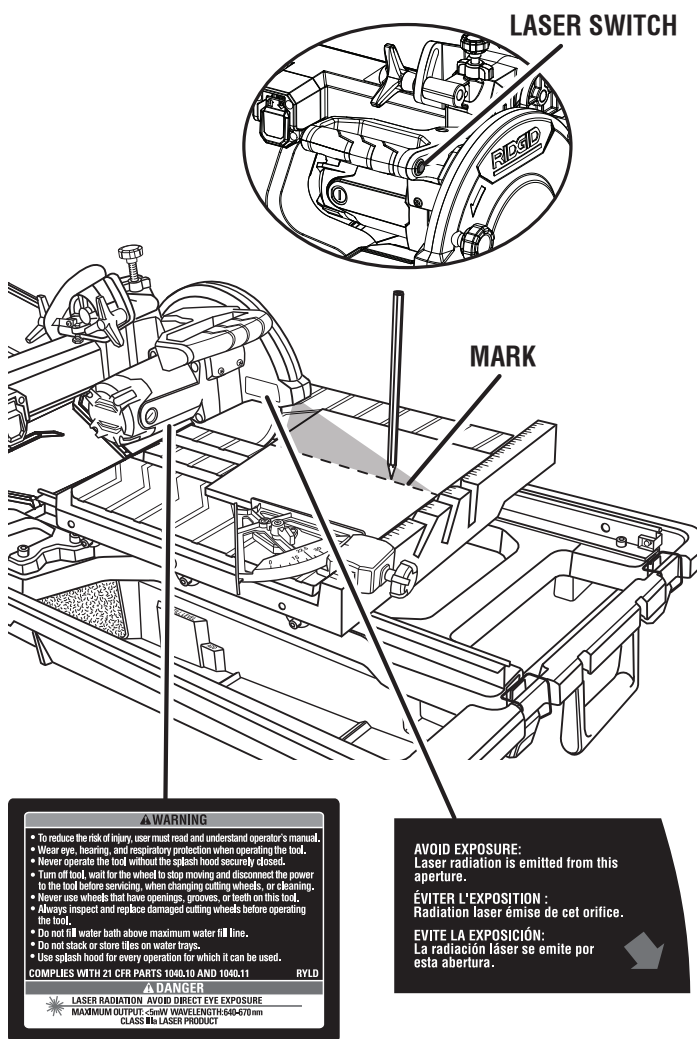


Fig. 21

OPERATION

TO MAKE A CROSS CUT / RIP CUT

See Figure 22.

Cross/rip cuts are straight 90° cuts. The material is fed into the cut at a 90° angle to the wheel, and the wheel is vertical.

- Using a straight edge or square, draw a line on the tile with a marker or grease pencil.
- Set the miter guide to 0° for right side or 90° for left side use. Tighten the lock knob, and lock in place.
- Make sure miter guide is not in the cut path.
- Place the material on the table and firmly against the miter guide and fence.
- Make sure the material is clear of the cutting wheel before turning on the saw.
- Flip the on/off switch to the on position.
- Let the cutting wheel build up to full speed and wait for the wheel to get wet before moving the material into the wheel.
- Hold the material firmly against the miter guide and fence and slowly feed the material into the cutting wheel.
- When the cut is made, turn the saw off. Wait for the cutting wheel to come to a complete stop before removing any part of the material.

TO MAKE A DIAGONAL CUT

See Figure 23.

Diagonal cuts are also referred to as “long point-to-long point cuts”.

- Using a straight edge or square, draw a line on the tile with a marker or grease pencil.
- Set the miter guide to 0° for right side or 90° for left side use. Tighten the lock knob, and lock in place.
- Make sure miter guide is not in the cut path.
- Place the material on the table and firmly against the miter guide and fence.
- Make sure the material is clear of the cutting wheel before turning on the saw.
- Flip the on/off switch to the on position.
- Let the cutting wheel build up to full speed and wait for the wheel to get wet before moving the material into the wheel.

- Hold the material firmly against the miter guide and fence and slowly feed the material into the cutting wheel.
- When the cut is made, turn the saw off. Wait for the cutting wheel to come to a complete stop before removing any part of the material.

CROSS CUT / RIP CUT

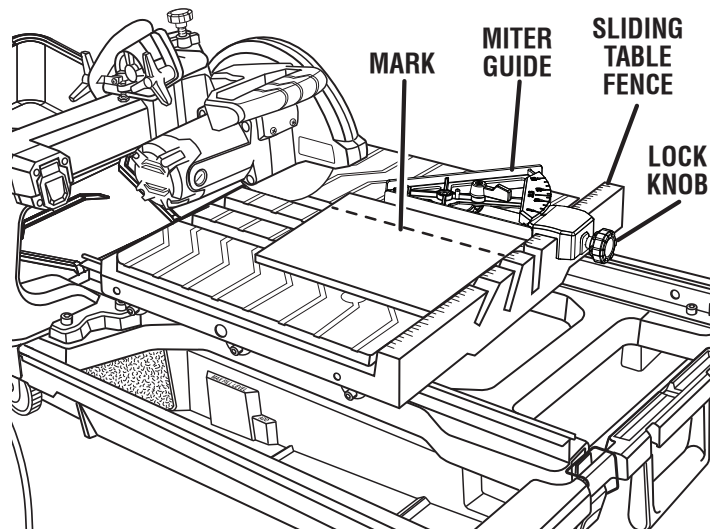


Fig. 22

DIAGONAL CUT

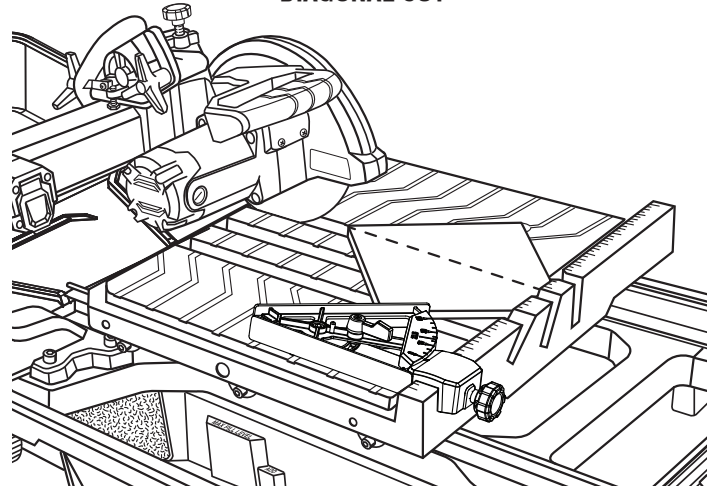


Fig. 23

OPERATION

TO MAKE A MITER CUT

See Figure 24.

Miter cuts are used for cutting outside and inside corners on material, at any angle to the wheel other than 90°. Miter cuts tend to “creep” during cutting. This can be controlled by holding the workpiece securely against the miter guide.

- Using a marker or grease pencil, mark the area to be cut on material.
- Set the miter guide to the desired setting, lock in place, and tighten the lock knob.
- Make sure miter guide is not in the cut path.
- Place the material on the table and firmly against the miter guide and fence.
- Make sure the material is clear of the cutting wheel before turning on the saw.
- Flip the on/off switch to the on position.
- Let the cutting wheel build up to full speed and wait for the wheel to get wet before moving the material into the wheel.
- Hold the material firmly against the miter guide and fence and slowly feed the material into the cutting wheel.
- When the cut is made, turn the saw off. Wait for the cutting wheel to come to a complete stop before removing any part of the material.

TO MAKE AN L-CUT

See Figure 25.

L-cuts are cuts that remove a piece of tile to fit in a corner, around a cabinet, or a piece of molding and are made by two separate cuts.

NOTE: Only over cut on the bottom or underside of the material being cut.

- Using a marker or grease pencil, mark the area to be cut on both sides of the material.
- Set the miter guide to the desired setting; lock in place.
- Make sure miter guide is not in the cut path.
- Place the material on the table and firmly against the miter guide and fence.
- Make sure the material is clear of the cutting wheel before turning on the saw.
- Flip the on/off switch to the on position.
- Let the cutting wheel build up to full speed and wait for the wheel to get wet before moving the material into the wheel.
- Hold the material firmly against the miter guide and fence and slowly feed the material into the cutting wheel.

- Make the cut far enough into the material without over cutting other line.
- When the cut is made, turn the saw off. Wait for the cutting wheel to come to a complete stop before removing any part of the material.
- Turn the material over and make the cut along uncut mark. This time, carefully over cut the other line and the cut piece should separate from the rest of the material.
- When the second cut is made, turn the saw off. Wait for the cutting wheel to come to a complete stop before removing any part of the material.

MITER CUT

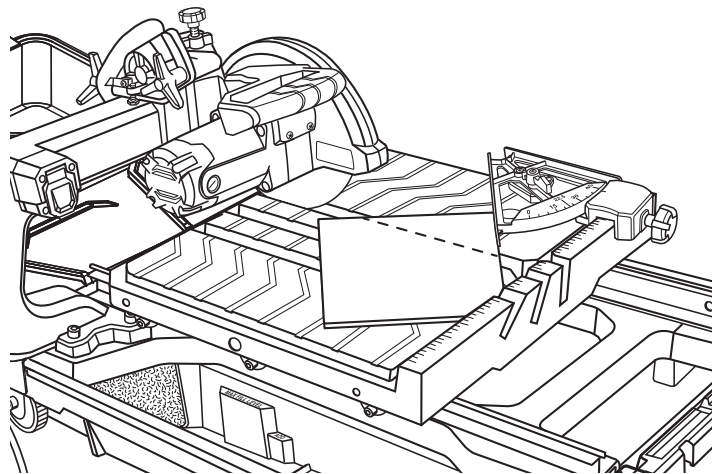


Fig. 24

L-CUT

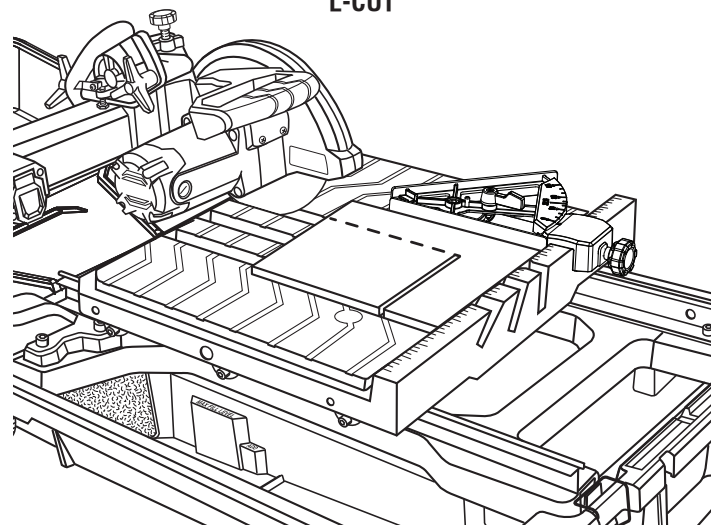


Fig. 25

OPERATION

TO MAKE A BEVEL CUT

See Figure 26.

Bevel cuts are made by feeding the material into the cutting wheel with the motor head at an angle. It is recommended that you only make cuts at 0°, 22.5° and 45°.

⚠ WARNING:

Making cuts at angles other than 0°, 22.5° and 45° angles could cause the cutting wheel to come in contact with the sliding table resulting in damage to the unit and/or possible serious injury.

- Using a straight edge or square, draw a line on the tile with a marker or grease pencil.
- Slide the saw table to the front of the water tray before tilting the saw head.
- Loosen the bevel lock knob.
- Set the saw arm to a 22.5° or 45° angle and tighten the bevel knob.
- Place the miter guide on the table the desired distance from the wheel and lock in place.
- Make sure miter guide is not in the cut path.
- Place the material on the table and firmly against the miter guide and fence.
- Make sure the material is clear of the cutting wheel before turning on the saw.
- Turn the on/off switch to the on position.
- Let the cutting wheel build up to full speed and wait for the wheel to get wet before moving the material into the wheel.
- Hold the material firmly against the miter guide and fence and slowly feed the material into the cutting wheel.
- When the cut is made, turn the saw off. Wait for the cutting wheel to come to a complete stop before removing any part of the material.

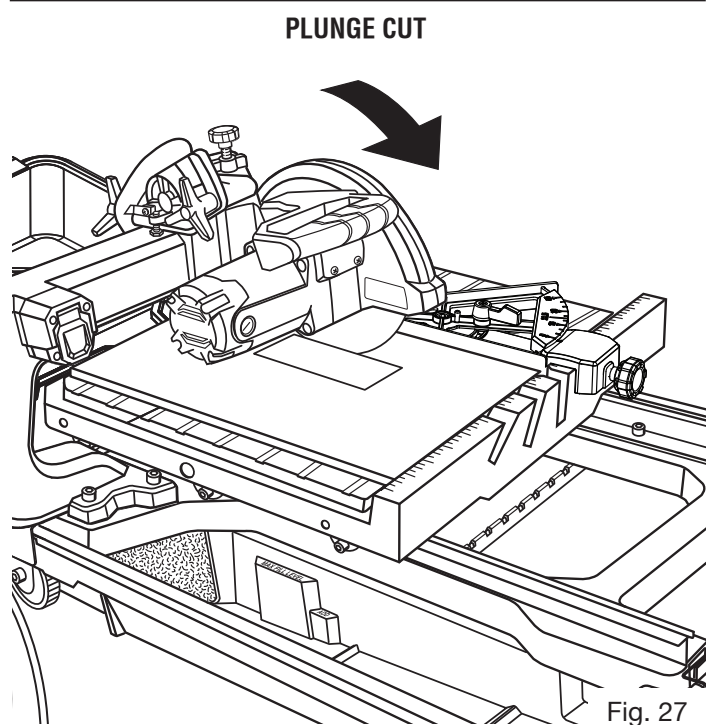
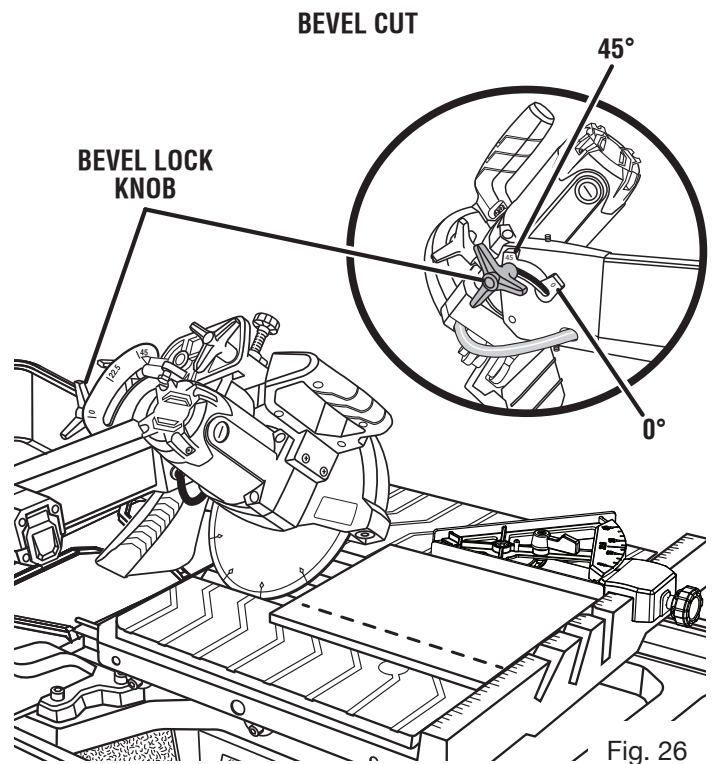
TO MAKE A PLUNGE CUT

See Figure 27.

Plunge cuts are made by positioning the material directly underneath the cutting wheel and lowering the wheel onto the workpiece. This allows pieces to be cut from the center of the material.

- Using a marker or grease pencil, mark the area to be cut on material.
- Loosen the lock knob on the side of the motor head and position the motor head upward to its maximum height.
- Place the miter guide on the table the desired distance from the wheel and lock in place.
- Turn the on/off switch to the on position.
- Let the cutting wheel build up to full speed and wait for the wheel to get wet before moving the material into the wheel.

- Hold the motor head firmly by the handle.
- Move the material into the desired position for cutting.
- Slowly lower the motor head into the material to make the cut.
- Raise the motor head.
- Turn the on/off switch to the off position.
- Slide the table away from the motor head and position the work material for the next cut.



OPERATION

MAKING GARDEN PAVER CUTS

See Figures 28 - 31.

Garden pavers require special cuts to make curves and corners in walls, patios, and other landscaping features.

To cut paver shorter:

- Measure paver to determine how much material needs to be removed.
 - Using a marker or grease pencil, make two marks, marking all the way around the paver.
 - Place the material on the table and firmly against the fence.
- NOTE:** It may be necessary to remove side splash guard to make room for paver cut.
- Make sure the material is clear of the cutting wheel before turning on the saw.
 - Turn the on/off switch to the on position.
 - Let the cutting wheel build up to full speed and wait for the wheel to get wet before moving the material into the wheel.
 - Hold the material firmly against the miter guide and fence and feed the material into the cutting wheel.

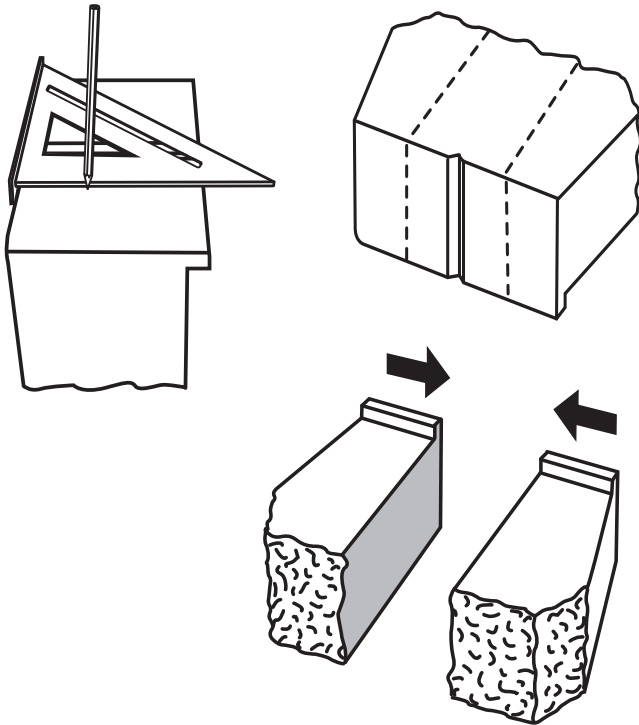


Fig. 28

- When the cut is made, turn the saw off. Wait for the cutting wheel to come to a complete stop before removing any part of the material.
- Move the sliding table away from the motor head and turn paver over to make through cut.

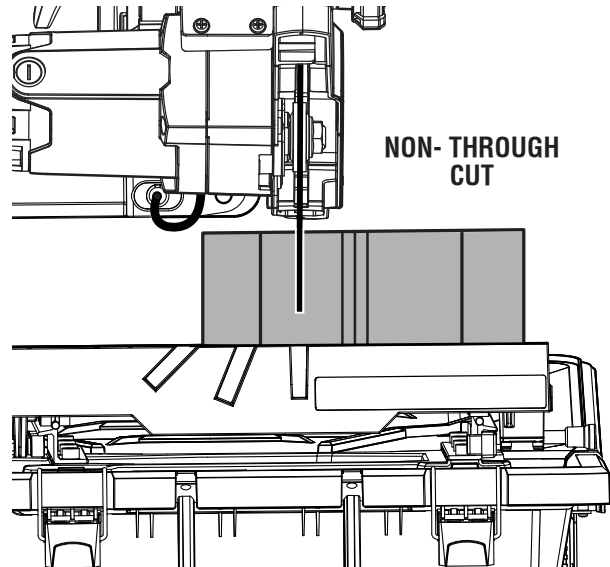


Fig. 29

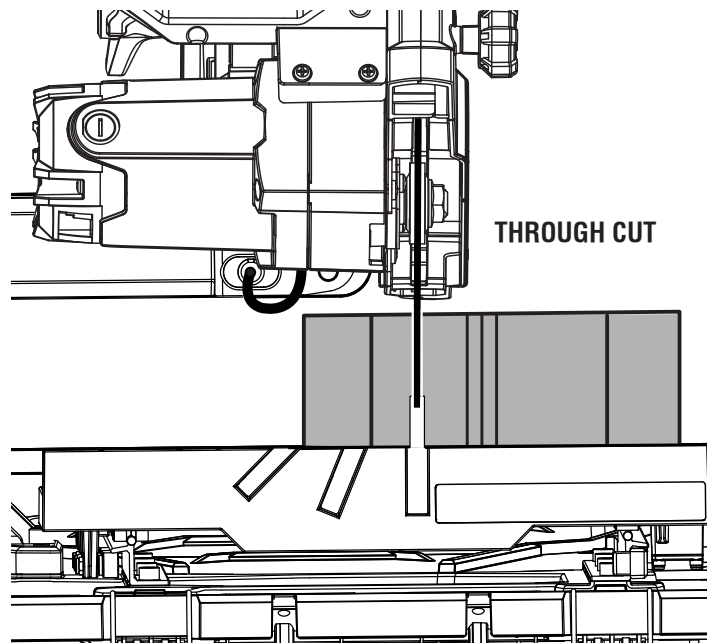


Fig. 30

OPERATION

To make paver for corners:

- Measure paver and landscaping feature to determine how much material needs to be removed and how much of an angle is required for wall corner.
- Using grease pencil and square, draw a mark from center of brick to corner, marking all the way around the paver.
- Place the material on the table and firmly against the fence.
- Make sure the material is clear of the cutting wheel before turning on the saw.
- Turn the on/off switch to the on position.
- Let the cutting wheel build up to full speed and wait for the wheel to get wet before moving the material into the wheel.
- Hold the material firmly against the miter guide and fence and feed the material into the cutting wheel.
- When the cut is made, turn the saw off. Wait for the cutting wheel to come to a complete stop before removing any part of the material.
- Move the sliding table away from the motor head and turn paver over to make through cut.
- If stacking paver, knock off pavers' drop edge, turn paver over and lay paver.

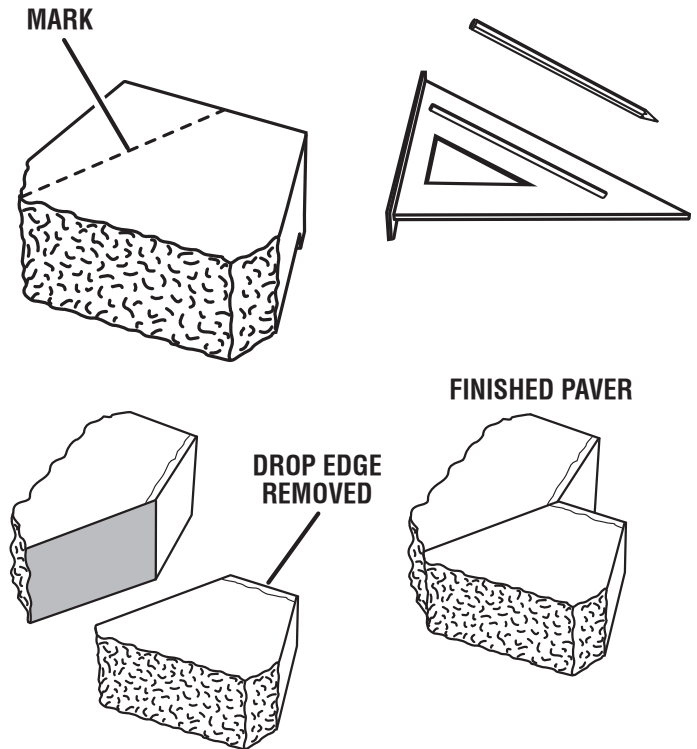


Fig. 31

ADJUSTMENTS

⚠ WARNING:

Before performing any adjustment, make sure the tool is unplugged from the power supply and the switch is in the OFF position. Failure to heed this warning could result in serious personal injury.

The saw has been adjusted at the factory for making very accurate cuts. However, some of the components might have been jarred out of alignment during shipping. Also, over a period of time, readjustment will probably become necessary due to wear, and/or transport.

Do not start any adjustments until you have checked with a square and made test cuts to be sure adjustments are needed.

TO SQUARE THE CUTTING WHEEL TO THE TABLE

See Figures 32 - 34.

Do not loosen any screws for this adjustment until you have checked with a square and made test cuts to be sure adjustments are necessary. Once the screws are loosened, these items must be reset.

- Unplug the saw.
- Using the hex key, loosen cap bolts on the left rail.
- Place a framing square against the fence and the flat part of the wheel.
- Make adjustments and tighten bolts securely.
- Move sliding table through full range of travel, to check for square. Make adjustments again, if necessary.
- Check distance of rails at the front and the rear. Distance between inside rails should be 12-7/16 in.
- Visually check that blade is centered in 0° slot.
- After all necessary rail adjustments have been made tighten the hex bolts securely.

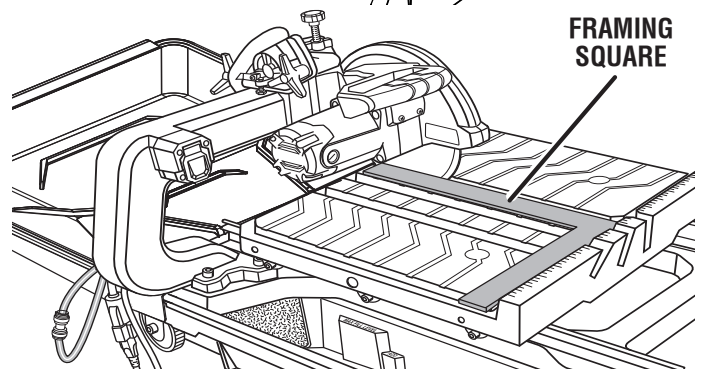
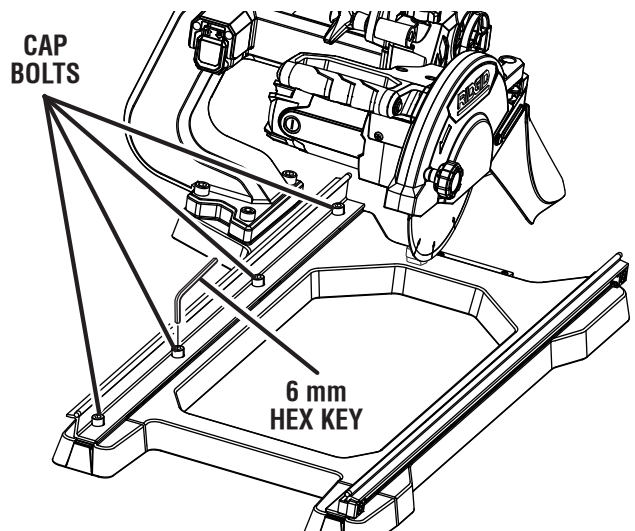


Fig. 32

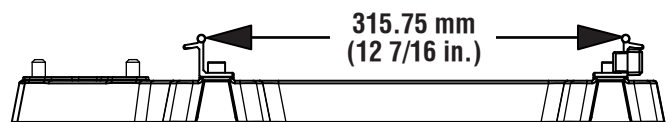


Fig. 33

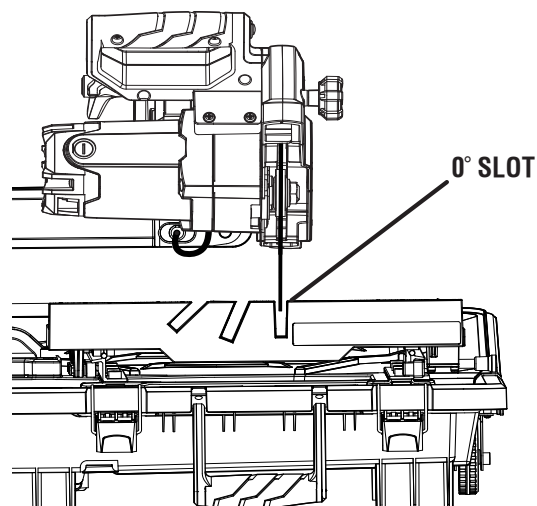


Fig. 34

ADJUSTMENTS

TO ADJUST SLIDING TABLE

See Figures 35 - 38.

If the sliding table doesn't roll smoothly on the rails or wiggles side to side, adjustments are required. The wheels on the sliding table should gently touch rails and roll smoothly through the full range of travel.

To adjust the center upper cam roller:

The left side upper rollers sit on the track. They have a groove down the middle of each roller. If the upper rollers are not parallel and/or level, make the following adjustments:

- Visually check sliding table through full range of motion to check roller alignment.
- To make adjustments, remove sliding table from rails.

NOTE: Only the center upper cam roller is adjustable.

- Using the wrench and 6 mm hex key, remove the center lower roller to access and loosen cam roller set screw.
- Use 2.5 mm hex key to loosen set screw.
- Use the framing square or other straight edge to check cam roller height. Place framing square in groove of rollers.
- Make height adjustments by manually turning center upper cam roller.
- Use straight edge to check that cam rollers are also parallel.

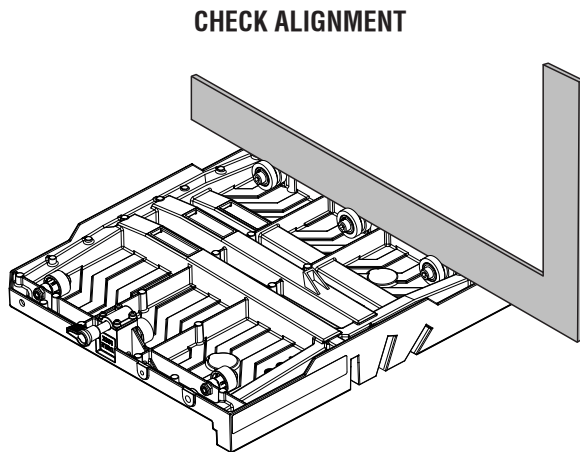


Fig. 35

- Tighten set screw to hold adjustments.
 - Reinstall slide table and check that the rollers are touching the rail and are parallel.
- NOTE:** Check that rollers are sliding properly after each adjustment.
- When adjustments to upper cam roller are complete, replace center lower cam roller.

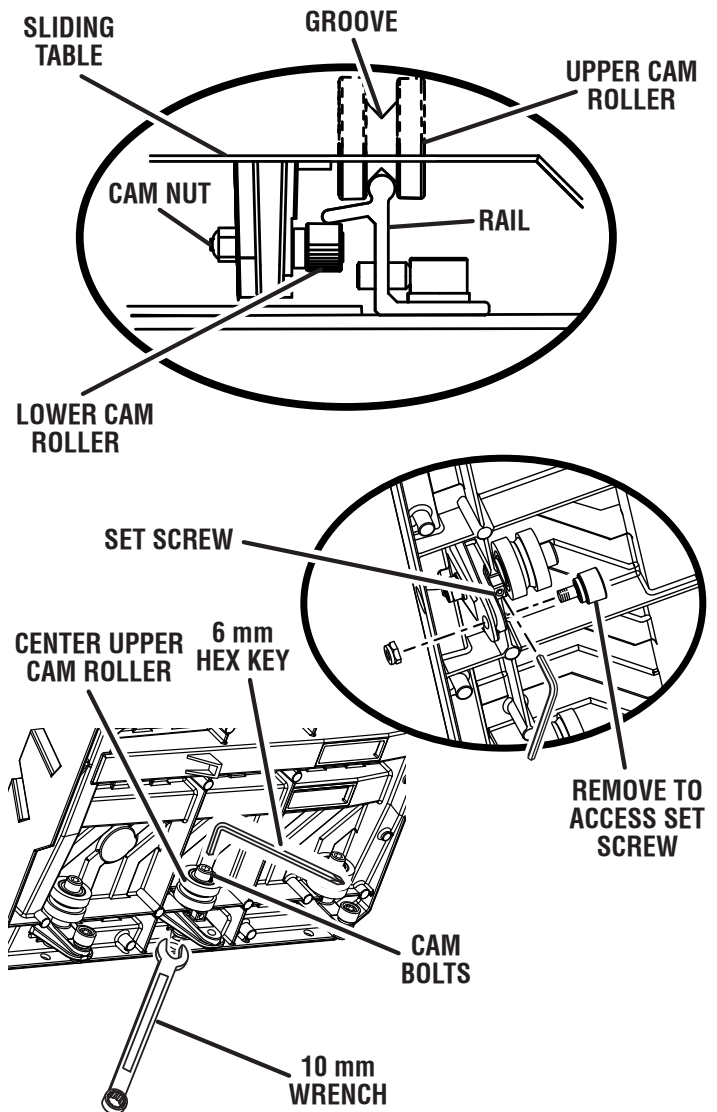


Fig. 36

ADJUSTMENTS

To adjust the lower cam rollers:

- Use 6 mm hex key to hold cam bolt nut. Use the 10 mm wrench to loosen the cam bolts.
- Make height adjustments by turning cam roller.
- Once the rollers are touching the rail, tighten the cam bolt nut securely. Repeat for each roller as required.

NOTE: Check that rollers are sliding properly after each adjustment.

To adjust the right side cam rollers:

Only front and back roller can be adjusted on the right side.

- Use wrench to hold cam bolt nut. Use 6 mm hex wrench to loosen cam bolts.
- Make height adjustments by turning cam roller.
- Once the rollers are touching the rail, tighten the cam bolt nut securely. Repeat for each roller as required.

NOTE: Check that rollers are sliding properly after each adjustment.

DEPTH STOP ADJUSTMENTS

See Figure 39.

The depth stop limits the cutting wheel's downward travel. It allows the wheel to go below the table enough to maintain full cutting capacities. The depth stop is factory set to provide maximum cutting capacity for the wheel provided with the saw. Make adjustments if needed.

- Unplug the saw.
- To adjust the depth, loosen the wing nut located on the depth stop.

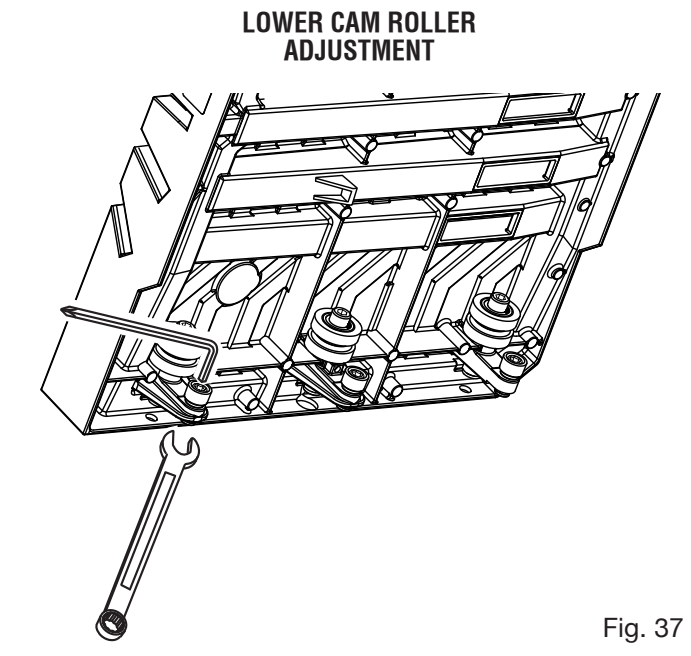


Fig. 37

- Turn the depth stop knob. Set the wheel to the correct cutting depth (wheel just below the table surface). Lower the cutting wheel to the table to check wheel clearance.
- Readjust if necessary.
- Tighten the wing nut.

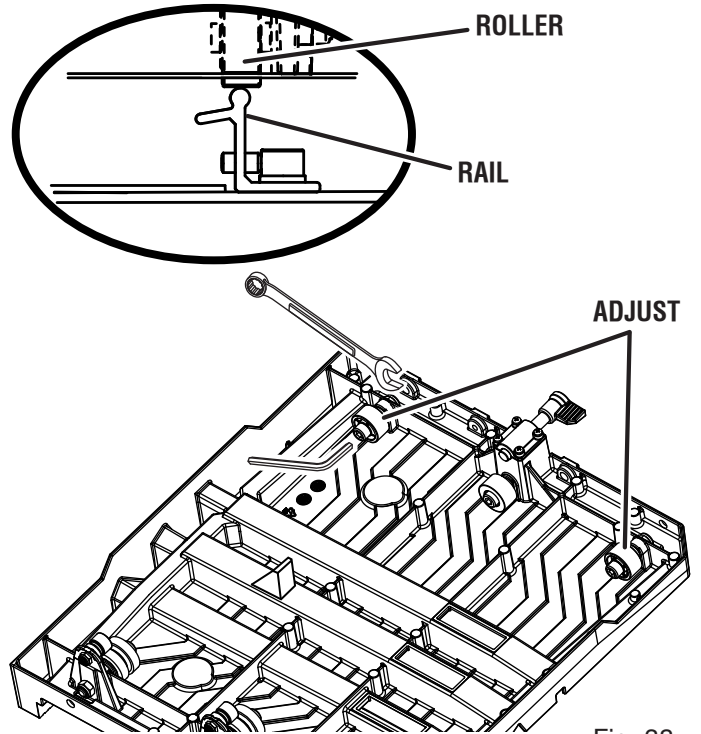


Fig. 38

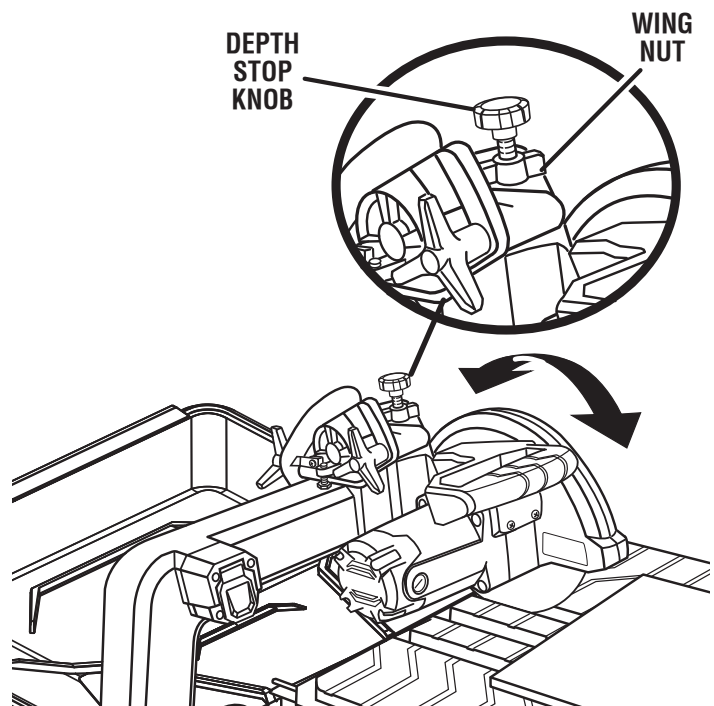


Fig. 39

ADJUSTMENTS

POSITIVE STOP ADJUSTMENTS

See Figure 40.

NOTE: These adjustments were made at the factory and normally do not require readjustment.

- Unplug the saw.

If the wheel is not perfectly vertical (0°):

- Loosen the bevel lock knob.
- Raise the motor head.
- Place a combination square beside the wheel.
- Using a wrench, turn the 0° hex bolt until the wheel is square to the table and the hex bolt is resting on the saw housing.
- Tighten the bevel lock knob.

If the wheel is not an exact 45°:

- Set bevel to 45°.
- Place a combination square against the wheel and set the motor head at 45°.
- Using a wrench, turn the 45° hex bolt until the hex bolt is resting on the saw housing.

ALIGNING THE LASER GUIDE LINE

See Figure 41.

⚠ DANGER:

Laser radiation. Avoid direct eye contact with light source.

⚠ WARNING:

Use of controls or adjustments or performance of procedures other than those specified herein can result in hazardous radiation exposure.

- Use the work clamp or a C-clamp to secure a piece of scrap tile.
- Draw a line on the tile.
- Plug the saw into the power source and make a slight cut to score the tile.
- Release the switch trigger and allow the saw blade to stop rotating before raising the wheel.
- Roll sliding table away from cutting wheel. Lower and lock motor head.
- Turn on the laser.
- To adjust the laser line, open the cutting wheel guard, loosen the Phillips head screw, adjust the laser module as needed, and tighten the screw securely.
- Once aligned, close and lock the wheel guard.

NOTE: Always make practice cuts on scrap material before cutting through your workpiece.

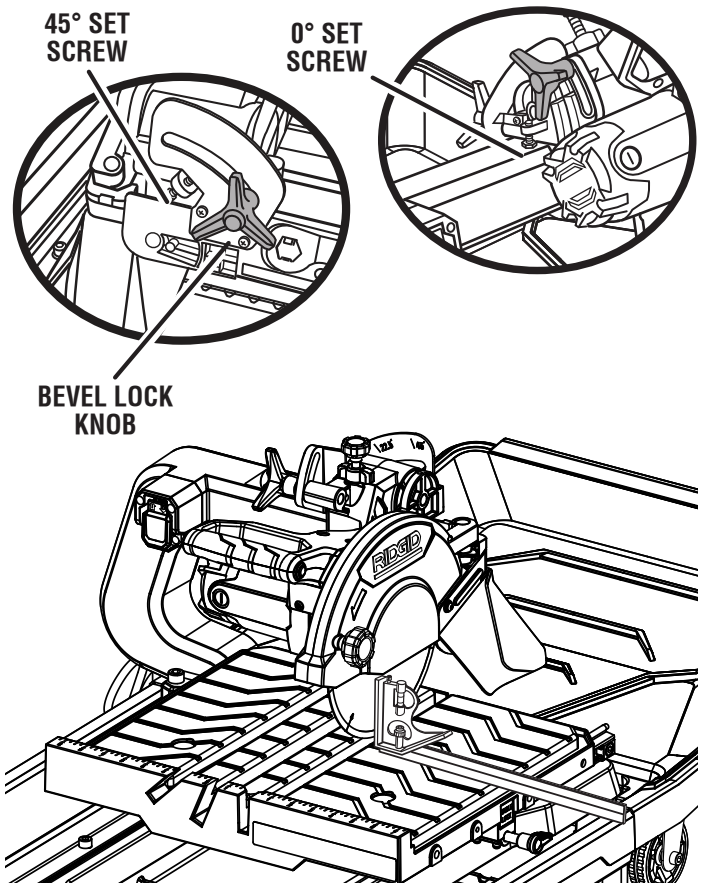


Fig. 40

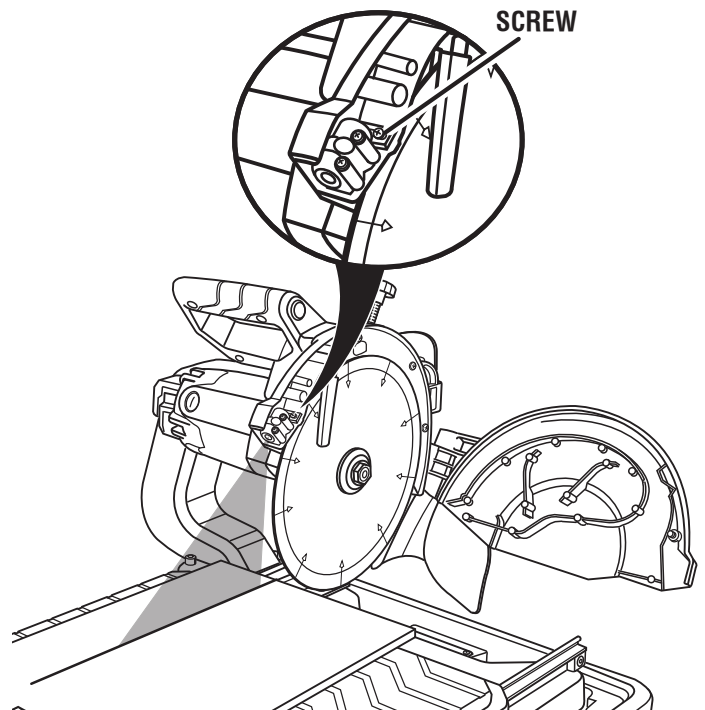


Fig. 41

MAINTENANCE

WARNING:

When servicing, use only identical RIDGID replacement parts. Use of any other parts can create a hazard or cause product damage.

WARNING:

Always wear eye protection with side shields marked to comply with ANSI Z87.1 along with hearing and breathing protection. during product operation. If operation is dusty, also wear a dust mask.

GENERAL MAINTENANCE

Avoid using solvents when cleaning plastic parts. Most plastics are susceptible to damage from various types of commercial solvents and may be damaged by their use. Use clean cloths to remove dirt, dust, oil, grease, etc.

WARNING:

Do not at any time let brake fluids, gasoline, petroleum-based products, penetrating oils, etc., come in contact with plastic parts. Chemicals can damage, weaken or destroy plastic which can result in serious personal injury.

LUBRICATION

All of the bearings in this tool are lubricated with a sufficient amount of high grade lubricant for the life of the unit under normal operating conditions. After extended use, clean the rails so the table will roll smoothly.

BRUSH REPLACEMENT

See Figure 42.

The saw motor has externally accessible brush assemblies that should be periodically checked for wear.

Proceed as follows when replacement is required:

- Unplug the saw.
- Remove brush cap with a screwdriver. Brush assembly is spring loaded and will pop out when you remove brush cap.
- Remove brush assembly.
- Check for wear. Replace both brushes when either has less than 1/4 in. length of carbon remaining. **Do not** replace one side without replacing the other.
- Reassemble using new brush assemblies. Make sure curvature of brush matches curvature of motor and that brush moves freely in brush tube.
- Make sure brush cap is oriented correctly (straight) and replace.
- Tighten brush cap securely. **Do not** overtighten.

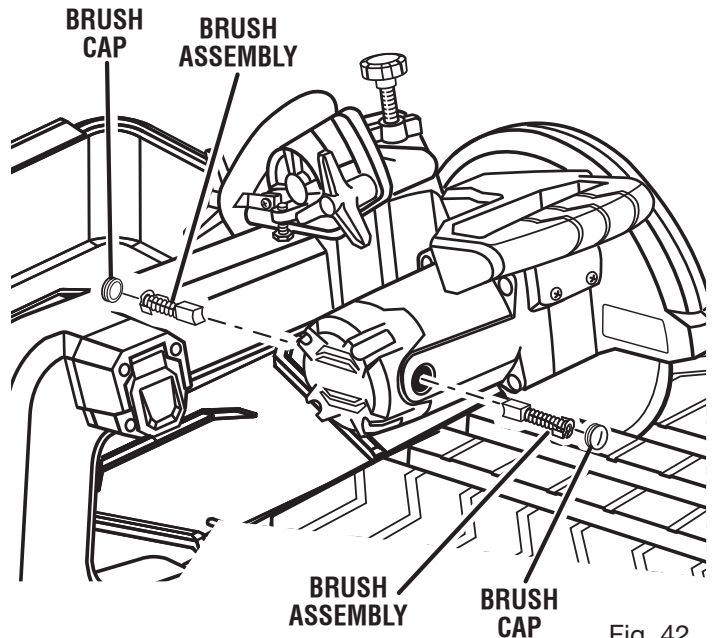


Fig. 42

MAINTENANCE

CLEANING THE RAILS

During use, the rails will become dirty preventing the table rollers from rolling smoothly. Be sure to wash off and wipe clean the rails often.

CLEANING THE SAW

- Unplug the saw and water pump.
- Empty the dirty water from the water tray and replace with clean water.
- Run clean water through the saw flushing debris through the tube and around the cutting wheel.
- Remove sliding table.
- Once the table has been removed, rinse the rails and water tray, and water tray frame.
- Replace the drain cap. Tighten securely.
- Empty dirty water from the water tray and dry off the tool.

CLEANING THE SUBMERSIBLE PUMP

- Unplug pump before handling or cleaning the pump.
- Remove the front cover.
- Using a small brush and/or water, clean any debris or trash that is trapped on the inside of the pump.
NOTE: To maintain efficiency and extend the life of the pump, check intake screen before use to make sure it is clean.
- Rinse filter with clean water.

If the pump will not run, try the following solutions:

- Ensure that the intake screen is free of obstructions.
- Make sure that the water hose isn't clogged or knotted.
- Be sure the unit is plugged into a functioning power outlet and the pump is plugged into the electrical plug.
- Be sure there is adequate water in the water tank and that the pump's water flow selector is set to "MAX".

NOTE: Do not handle the pump while it is connected to a power source.

WARRANTY

RIDGID® HAND HELD AND STATIONARY POWER TOOL 3 YEAR LIMITED SERVICE WARRANTY

Proof of purchase must be presented when requesting warranty service.

Limited to RIDGID® hand held and stationary power tools purchased 2/1/04 and after. This product is manufactured by One World Technologies, Inc. The trademark is licensed from RIDGID®, Inc. All warranty communications should be directed to One World Technologies, Inc., attn: RIDGID® Hand Held and Stationary Power Tool Technical Service at (toll free) 1-866-539-1710.

90-DAY SATISFACTION GUARANTEE POLICY

During the first 90 days after the date of purchase, if you are dissatisfied with the performance of this RIDGID® Hand Held and Stationary Power Tool for any reason you may return the tool to the dealer from which it was purchased for a full refund or exchange. To receive a replacement tool you must present proof of purchase and return all original equipment packaged with the original product. The replacement tool will be covered by the limited warranty for the balance of the 3 YEAR service warranty period.

WHAT IS COVERED UNDER THE 3 YEAR LIMITED SERVICE WARRANTY

This warranty on RIDGID® Hand Held and Stationary Power Tools covers all defects in workmanship or materials and normal wear items such as brushes, chucks, motors, switches, cords, gears and even cordless batteries in this RIDGID® tool for three years following the purchase date of the tool. Warranties for other RIDGID® products may vary.

HOW TO OBTAIN SERVICE

To obtain service for this RIDGID® tool you must return it; freight prepaid, or take it in to an authorized service center for RIDGID® branded hand held and stationary power tools. You may obtain the location of the authorized service center nearest you by calling (toll free) 1-866-539-1710 or by logging on to the RIDGID® website at www.ridgid.com. When requesting warranty service, you must present the original dated sales receipt. The authorized service center will repair any faulty workmanship, and either repair or replace any part covered under the warranty, at our option, at no charge to you.

WHAT IS NOT COVERED

This warranty applies only to the original purchaser at retail and may not be transferred. This warranty only covers defects arising under normal usage and does not cover any malfunction, failure or defect resulting from misuse, abuse, neglect, alteration, modification or repair by other than an authorized service center for RIDGID® branded hand held and stationary power tools. Consumable accessories provided with the tool such as, but not limited to, blades, bits and sand paper are not covered.

RIDGID®, INC. AND ONE WORLD TECHNOLOGIES, INC. MAKE NO WARRANTIES, REPRESENTATIONS OR PROMISES AS TO THE QUALITY OR PERFORMANCE OF ITS POWER TOOLS OTHER THAN THOSE SPECIFICALLY STATED IN THIS WARRANTY.

ADDITIONAL LIMITATIONS

To the extent permitted by applicable law, all implied warranties, including warranties of MERCHANTABILITY or FITNESS FOR A PARTICULAR PURPOSE, are disclaimed. Any implied warranties, including warranties of merchantability or fitness for a particular purpose, that cannot be disclaimed under state law are limited to three years from the date of purchase. One World Technologies, Inc. and RIDGID®, Inc. are not responsible for direct, indirect, incidental or consequential damages. Some states do not allow limitations on how long an implied warranty lasts and/or do not allow the exclusion or limitation of incidental or consequential damages, so the above limitations may not apply to you. This warranty gives you specific legal rights, and you may also have other rights which vary from state to state.

One World Technologies, Inc.

P.O. Box 1427

Anderson, SC 29622

RÈGLES DE SÉCURITÉ GÉNÉRALES

AVERTISSEMENT :

Lire et veiller à bien comprendre toutes les instructions. Le non respect de toutes les instructions ci-dessous peut entraîner un choc électrique, un incendie et / ou des blessures graves.

LIRE TOUTES LES INSTRUCTIONS

- **VEILLER À BIEN CONNAÎTRE L'OUTIL.** Lire attentivement le manuel d'utilisation. Apprendre les applications et les limites de l'outil, ainsi que les risques spécifiques relatifs à son utilisation.
- **SE PROTÉGER DES CHOC ÉLECTRIQUES EN ÉVITANT TOUT CONTACT DU CORPS AVEC DES SURFACES MISES À LA TERRE.** Par exemple : tuyaux, radiateurs, cuisinières, réfrigérateurs.
- **MAINTENIR TOUS LES DISPOSITIFS DE PROTECTION EN PLACE** et en bon état de fonctionnement.
- **RETIRER LES CLÉS ET OUTILS DE RÉGLAGE.** Prendre l'habitude de vérifier que tous les outils et clés de réglage ont été retirés de l'outil avant de le mettre en marche.
- **GARDER LE LIEU DE TRAVAIL PROPRE.** Les établis encombrés et les endroits sombres sont propices aux accidents. **NE PAS** laisser d'outils ou de pièces de carreaux sur la machine en fonctionnement.
- **NE PAS UTILISER DANS UN ENVIRONNEMENT DANGEREUX.** Ne pas utiliser les outils électriques dans des endroits mouillés ou humides, ne pas les exposer à la pluie. Garder le lieu de travail bien éclairé.
- **GARDER LES ENFANTS ET VISITEURS À L'ÉCART.** Tous les visiteurs doivent porter des lunettes de sécurité et se tenir à bonne distance de la zone de travail. Ne pas laisser les visiteurs toucher l'outil ou son cordon d'alimentation pendant le fonctionnement.
- **ASSURER LA SÉCURITÉ DES ENFANTS** dans l'atelier en installant des cadenas et des disjoncteurs ou en retirant les clés de contact.
- **NE PAS FORCER L'OUTIL.** Il exécutera le travail mieux et de façon moins dangereuse s'il fonctionne dans les limites prévues.
- **UTILISER L'OUTIL APPROPRIÉ.** Ne pas utiliser l'outil ou un accessoire pour effectuer un travail pour lequel il n'est pas conçu.
- **UTILISER UN CORDON PROLONGATEUR ADÉQUAT.** S'assurer que le cordon prolongateur est en bon état. Utiliser exclusivement un cordon d'une capacité suffisante pour supporter le courant de fonctionnement de l'outil. Un cordon de capacité insuffisante causerait une baisse de la tension de ligne, entraînant une perte de puissance et une surchauffe. Un calibre de fil (A.W.G) d'au minimum **14** est recommandé pour un cordon prolongateur de 7,6 mètres (25 pi) ou moins. En cas de doute, utiliser un cordon du calibre immédiatement supérieur. Moins le numéro de calibre est élevé, plus la capacité du fil est grande.
- **PORTER UNE TENUE APPROPRIÉE.** Ne pas porter de vêtements amples, cravates, ou bijoux susceptibles de se prendre et vous entraîner dans les pièces mobiles. Des gants en caoutchouc et des chaussures antidérapantes (carter en caoutchouc) sont recommandées pour le travail à l'extérieur. Les cheveux longs doivent être ramassés sous un couvre-chef.
- **TOUJOURS PORTER UNE PROTECTION OCULAIRE AVEC ÉCRANS LATÉRAUX CERTIFIÉE CONFORME À LA NORME ANSI Z87.1 LORS DE L'UTILISATION DE PRODUIT.**
- **ASSUJETTIR LES PIÈCES.** Dans la mesure du possible, utiliser des serre-joint ou un étau, ce qui réduit les risques et laisse les deux mains libres pour contrôler l'outil.
- **NE PAS TRAVAILLER HORS DE PORTÉE.** Toujours se tenir bien campé et en équilibre.
- **ENTREtenir SOIGNEUSEMENT LES OUTILS.** Garder les outils bien affûtés et propres pour accroître la sécurité et les performances. Suivre les instructions de lubrification et de changement d'accessoires.
- **DÉBRANCHER TOUS LES OUTILS.** Tous les outils doivent être débranchés lorsqu'ils ne sont pas en usage et avant toute opération d'entretien ou de changement d'accessoire, disque, forer, fers, etc.
- **ÉVITER LES DÉMARRAGES ACCIDENTELS.** S'assurer que le commutateur est en position d'arrêt avant de brancher un outil.
- **UTILISER LES ACCESSOIRES RECOMMANDÉS.** Voir les accessoires recommandés dans le manuel d'utilisation. L'usage de tout accessoire incorrect peut être dangereux.
- **NE JAMAIS MONTER SUR L'OUTIL.** Un basculement de l'outil ou le contact accidentel avec l'accessoire de coupe peut causer des blessures graves.
- **VÉRIFIER L'ÉTAT DES PIÈCES.** Avant d'utiliser l'outil de nouveau examiner soigneusement les pièces et dispositifs de protection qui semblent endommagés afin de déterminer s'ils fonctionnent correctement et s'ils remplissent les fonctions prévues. Vérifier l'alignement des pièces mobiles, s'assurer qu'aucune pièce n'est bloquée ou cassée, vérifier la fixation de chaque pièce et s'assurer qu'aucun autre problème ne risque d'affecter le bon fonctionnement de l'outil. Pour éviter les risques de blessures, toute protection ou pièce endommagée doit être correctement réparée ou remplacée dans un centre de réparations agréé.
- **ENGAGER LES PIÈCES DANS LE SENS CORRECT.** La pièce ne doit être engagée que contre le sens de rotation de la disque, de l'accessoire ou de la toupie de ponçage.
- **NE JAMAIS LAISSER L'OUTIL EN FONCTIONNEMENT SANS SURVEILLANCE. COUPER L'ALIMENTATION ÉLECTRIQUE.** Ne pas s'éloigner de l'outil avant qu'il soit parvenu à un arrêt complet.
- **PORTER UNE PROTECTION RESPIRATOIRE.** Porter un masque facial ou respiratoire si le travail produit de la poussière.
- **PORTER UNE PROTECTION AUDITIVE.** Porter une protection auditive durant les périodes d'utilisation prolongée.
- **NE MALTRAITEZ PAS LE CORDON.** Ne transportez jamais l'outil par le cordon et ne tirez jamais sur le cordon pour le débrancher. Ne laissez pas le cordon entrer en contact avec de l'huile, de la chaleur et des arêtes vives.
- **TOUJOURS UTILISER UN CORDON SPÉCIALEMENT CONÇU À CET EFFET, MARQUÉ « W-A » OU « W ».** Ces cordons réduisent les risques de choc électrique.
- **TOUJOURS GARDER LA PROTÈGE-MEULE EN PLACE** et en bon état de fonctionnement.
- **GARDER LES MAINS À L'ÉCART DE LA ZONE DE COUPE.** Ne placer en aucun cas la main ou les doigts au-dessous de

RÈGLES DE SÉCURITÉ GÉNÉRALES

la pièce à couper ou sur la trajectoire de la meule. Toujours éteindre la scie.




- **LES MUELES CONTINUENT DE TOURNER EN ROUE LIBRE UNE FOIS QUE LA SCIE EST ÉTEINTE.**
- **NE JAMAIS UTILISER CET OUTIL DANS UNE ATMOSPHÈRE EXPLOSIVE.** Les étincelles normalement produites par le moteur pourraient enflammer les vapeurs.
- **INSPECTER RÉGULIÈREMENT LES CORDONS DE L'OUTIL.** Faire remplacer tout commutateur défectueux par un technicien qualifié ou un centre de réparations agréé. Le fil à gaine verte, avec ou sans traceur jaune est le fil de terre. Si le cordon doit être réparé ou remplacé, ne pas connecter le fil de terre de l'outil sur une borne sous tension. Tout cordon endommagé doit être réparé ou remplacé immédiatement. Toujours rester conscient de l'emplacement du cordon et veiller à le tenir à l'écart de la meule en rotation.
- **INSPECTER RÉGULIÈREMENT LES CORDONS PROLONGATEURS** et les remplacer s'ils sont endommagés.
- **METTRE TOUS LES OUTILS À LA TERRE.** Si un outil est équipé d'une fiche à trois broches, il doit être branché sur une prise secteur à trois trous.
- **BRANCHER L'OUTIL UNIQUEMENT DANS UNE PRISE PROTÉGÉE PAR UN DISJONCTEUR DE FUITE À LA TERRE.**
- **CONSULTER UN ÉLECTRICIEN QUALIFIÉ** ou le personnel de service si les instructions de mise à la terre ne sont pas bien comprises, ou en cas de doute au sujet de la mise à la terre.
- **N'UTILISER QUE DES ACCESSOIRES ÉLECTRIQUES APPROPRIÉS :** Utiliser exclusivement des cordons prolongateurs à 3 fils doté d'une fiche à prise de terre branchés sur une prise triphasée compatible avec la fiche de l'outil.
- **NE PAS MODIFIER** la fiche fournie. Si elle ne peut pas être insérée dans la prise secteur, faire installer une prise adéquate par un électricien qualifié.
- **GARDER L'OUTIL SEC, PROPRE ET EXEMPT D'HUILE OU DE GRAISSE.** Toujours utiliser un chiffon propre pour le nettoyage. Ne jamais utiliser de liquide de freins, d'essence ou de produits à base de pétrole pour nettoyer l'outil.
- **RESTER VIGILANT ET GARDER LE CONTRÔLE.** Se montrer attentif et faire preuve de bon sens. Ne pas utiliser l'outil en état de fatigue. Ne pas se presser.
- **NE PAS UTILISER L'OUTIL SI LE COMMUTATEUR NE PERMET PAS DE LE METTRE EN MARCHÉ OU DE L'ARRÊTER.** Faire remplacer les commutateurs défectueux dans un centre de réparations agréé.
- **N'UTILISER QUE LES MUELES APPROPRIÉES.** Ne pas utiliser de muelles dont le trou n'est pas de la taille correcte. Ne jamais utiliser de rondelles ou boulons de meule défectueux ou de type incorrect. La taille maximum de meule pouvant être utilisée sur cet outil est de 203 mm (8 po).
- **S'ASSURER QUE TOUS LES DISPOSITIFS DE PROTECTION FONCTIONNENT CORRECTEMENT AVANT D'EFFECTUER UNE COUPE.**
- **NE JAMAIS TOUCHER LA MUELE DE COUPE** ou les pièces en mouvement pendant le fonctionnement.
- **NE JAMAIS METTRE UN OUTIL EN MARCHÉ LORSQU'UNE PIÈCE EN ROTATION QUELCONQUE EST EN CONTACT AVEC LA PIÈCE À COUPER.**
- **NE PAS UTILISER CET OUTIL SOUS L'INFLUENCE DE L'ALCOOL, DE DROGUES OU DE MÉDICAMENTS.**
- Utiliser exclusivement des pièces identiques à celles d'origine **POUR LES RÉPARATIONS.** L'usage de toute autre pièce pourrait créer une situation dangereuse ou endommager l'outil.
- **UTILISER EXCLUSIVEMENT LES ACCESSOIRES RECOMMANDÉS** dans ce manuel ou ses addendas. L'emploi de tout accessoire non recommandé peut présenter un risque de blessure. Les instructions de sécurité d'utilisation sont fournies avec les accessoires.
- **VÉRIFIER DEUX FOIS TOUS LES RÉGLAGES.** S'assurer que la disque est bien serrée et ne touche ni la scie, ni la pièce à couper avant de brancher la scie sur le secteur.

RÈGLES DE SÉCURITÉ PARTICULIÈRES







- **TOUJOURS ASSUJETTIR LA PIÈCE À COUPER** fermement contre le guide d'onglet ou le guide.
- **NE JAMAIS** se tenir ou laisser une partie du corps se trouver dans la trajectoire de la meule.
- **NE JAMAIS** essayer de débloquer une meule coincées avant d'avoir **ÉTEINT** et débranché la scie.
- **SI LE CORDON D'ALIMENTATION EST ENDOMMAGÉ,** il doit être remplacé uniquement par le fabricant ou par un centre de réparation agréé pour éviter tout risque.
- **ÉVITER LES OPÉRATIONS ET POSITIONS INCOMMODES** posant un risque de glissement soudain de la main vers la lame. **TOUJOURS** se tenir bien en équilibre. **NE JAMAIS** utiliser la scie à ongles sur le sol ou en se tenant accroupi.
- **S'ASSURER QUE LA ZONE DE TRAVAIL EST SUFFISAMMENT ÉCLAIRÉE** pour voir ce que l'on fait et qu'aucun obstacle ne peut nuire à la sécurité d'utilisation **AVANT** d'effectuer quelque coupe que ce soit.
- **TOUJOURS ÉTEINDRE LA SCIE** avant de la débrancher pour éviter un démarrage accidentel lors du branchement pour l'utilisation suivante.
- Les avertissements ci-dessous doivent être apposés sur **CET OUTIL :**
 - a) Porter une protection oculaire, auditive et respiration.
 - b) Utiliser protection éclabousser pour chaque opération pour laquelle il peut être utilisé.
 - c) Couper l'alimentation électrique avant d'effectuer l'entretien, lors du remplacement de la meule ou du nettoyage.
 - d) Utiliser l'outil avec le bord lisse meule de coupe des ouvertures et des rainures.
 - e) Remplacer endommagé meule de coupe avant de opération
 - f) Ne pas remplir le réservoir d'eau au-delà de la ligne de remplissage maximal.
- **CONSERVER CES INSTRUCTIONS.** Les consulter fréquemment et les utiliser pour instruire les autres utilisateurs. Si cet outil est prêté, il doit être accompagné de ces instructions.

SYMBOLES

Les termes de mise en garde suivants et leur signification ont pour but d'expliquer le degré de risques associé à l'utilisation de ce produit.

SYMBOLE	SIGNAL	SIGNIFICATION
	DANGER :	Indique une situation dangereuse qui, si elle n'est pas évitée, aura pour conséquences des blessures graves ou mortelles.
	AVERTISSEMENT :	Indique une situation dangereuse qui, si elle n'est pas évitée, pourrait entraîner des blessures graves ou mortelles.
	ATTENTION :	Indique une situation dangereuse qui, si elle n'est pas évitée, pourrait entraîner des blessures légères ou de gravité modérée.
	AVIS :	(Sans symbole d'alerte de sécurité) Indique les informations jugées importantes sans toutefois représenter un risque de blessure (ex. : messages concernant les dommages matériels).

Certains des symboles ci-dessous peuvent être utilisés sur l'outil. Veiller à les étudier et à apprendre leur signification. Une interprétation correcte de ces symboles permettra d'utiliser l'outil plus efficacement et de réduire les risques.

SYMBOLE	NOM	DÉSIGNATION / EXPLICATION
	Symbole d'alerte de sécurité	Indique un risque de blessure potentiel.
	Lire le manuel d'utilisation	Pour réduire les risques de blessures, l'utilisateur doit lire et veiller à bien comprendre le manuel d'utilisation avant d'utiliser ce produit.
	Protection oculaire, auditive et respiration	Toujours porter une protection oculaire avec écrans latéraux certifiée conforme à la norme ANSI Z87.1 ainsi qu'une protection auditive et respiration.
	Avertissement concernant l'humidité	Ne pas exposer l'outil à la pluie ni à l'humidité.
	Mains à l'écart	Le non respect de cette mise en garde peut entraîner des blessures graves.
	Électrocution	Une mauvaise mise à la terre peut causer une électrocution.
V	Volts	Tension
A	Ampères	Intensité
Hz	Hertz	Fréquence (cycles par seconde)
min	Minutes	Temps
~	Courant alternatif	Type de courant
n ₀	Vitesse à vide	Vitesse de rotation à vide
.../min	Par minute	Tours, coups, vitesse périphérique, orbites, etc., par minute

CARACTÉRISTIQUES ÉLECTRIQUES

CORDONS PROLONGATEURS

Utiliser exclusivement des cordons prolongateurs à 3 fils doté d'une fiche à prise de terre branchés sur une prise triphasée compatible avec la fiche de l'outil. Lors de l'utilisation d'un outil électrique à grande distance d'une prise secteur, veiller à utiliser un cordon prolongateur d'une capacité suffisante pour supporter l'appel de courant de l'outil. Un cordon de capacité insuffisante causerait une baisse de la tension de ligne, entraînant une perte de puissance et une surchauffe. Se reporter au tableau ci-dessous pour déterminer le calibre minimum de fil requis pour un cordon donné. Utiliser exclusivement des cordons à gaine cylindrique homologués par Underwriter's Laboratories (UL).

**Intensité nominale (sur la plaquette signalétique de l'outil)

0-2,0 2,1-3,4 3,5-5,0 5,1-7,0 7,1-12,0 12,1-16,0

Longueur du cordon	Calibre de fil (A.W.G.)					
	16	14	12	10	8	6
25'	16	16	16	16	14	14
50'	16	16	16	14	14	12
100'	16	16	14	12	10	—

**Utilisé sur circuit de calibre 12 – 20 A

NOTE : AWG = American Wire Gauge

Pour les travaux à l'extérieur, utiliser un cordon prolongateur spécialement conçu à cet effet. La gaine des cordons de ce type porte l'inscription « W-A » ou « W ».

Avant d'utiliser un cordon prolongateur, vérifier que ses fils ne sont ni détachés ni exposés et que son isolation n'est ni coupée, ni usée.

N'utiliser que des rallonges électriques conçues pour être utilisées à l'extérieur. Ces rallonges sont identifiées par une étiquette "Peut être utilisée avec des appareils de plein air. Ranger à l'intérieur lorsqu'elle n'est pas utilisée." Ne pas utiliser de rallonges endommagées. Examiner la rallonge avant de l'utiliser et la remplacer si elle est endommagée. Ne pas maltraiter les rallonges électriques et ne pas les tirer brusquement pour les débrancher. Garder les rallonges loin de toute source de chaleur et d'arêtes vives. Toujours débrancher la rallonge de la prise de courant avant de débrancher l'appareil de la rallonge.

AVERTISSEMENT :

Maintenir le cordon prolongateur à l'écart de la zone de travail. Lors du travail avec un cordon électrique, placer le cordon de manière à ce qu'il ne risque pas de se prendre dans les pièces de bois, outils et autres obstacles. Ne pas prendre cette précaution peut entraîner des blessures graves.

AVERTISSEMENT :

Vérifier l'état des cordons prolongateurs avant chaque utilisation. Remplacer immédiatement tout cordon endommagé. Ne jamais utiliser un outil dont le cordon d'alimentation est endommagé, car tout contact avec la partie endommagée pourrait causer un choc électrique et des blessures graves.

CONNEXION ÉLECTRIQUE

Cet outil est équipé d'un moteur électrique de précision. Il doit être branché uniquement sur une **alimentation 120 V, c.a. (courant résidentiel standard), 60 Hz**. Ne pas utiliser cet outil sur une source de courant continu (c.c.). Une chute de tension importante causerait une perte de puissance et une surchauffe du moteur. Si l'outil ne fonctionne pas une fois branché, vérifier l'alimentation électrique.

VITESSE ET CÂBLAGE

La vitesse à vide de cet outil est d'environ 5 000 r/min. La vitesse n'est pas constante et elle diminue sous une charge ou en présence d'une baisse de tension. Le câblage de l'atelier est aussi important que la puissance nominale du moteur. Une ligne conçue seulement pour l'éclairage ne peut pas alimenter correctement le moteur d'un outil électrique. Un fil électrique d'une capacité suffisante pour une courte distance ne le sera pas nécessairement pour une distance plus longue. Une ligne dont la capacité est suffisante pour un outil électrique ne l'est pas nécessairement pour deux ou trois.

INSTRUCTIONS DE MISE À LA TERRE

Voir la figure 1.

Ce produit doit être fondé. En cas de problème de fonctionnement ou de panne, la mise à la terre fournit un chemin de résistance au courant électrique, pour réduire le risque de choc électrique. Cet produit est équipé d'un cordon électrique avec conducteur et fiche de mise à la terre. Le cordon doit être branché sur une prise correctement installée et mise à la terre conformément à tous les codes et réglementations locaux en vigueur.

Ne pas modifier la fiche fournie. Si elle ne peut pas être insérée dans la prise secteur, faire installer une prise adéquate par un électricien qualifié.

AVERTISSEMENT :

L'usage d'un cordon prolongateur incorrect peut présenter des risques de choc électrique. Si le cordon doit être réparé ou remplacé, ne pas connecter le fil de terre de l'outil sur une borne sous tension. Le fil à gaine verte, avec ou sans traceur jaune est le fil de terre.

CARACTÉRISTIQUES ÉLECTRIQUES

Consulter un électricien qualifié ou le personnel de service si les instructions de mise à la terre ne sont pas bien comprises, ou en cas de doute au sujet de la mise à la terre.

Tout cordon endommagé doit être réparé ou remplacé immédiatement.

Ce produit est pour l'usage sur un nominal 120 circuit de volt et a un fonder bouche similaire au bouchon illustré dans la figure 1. Seulement connecter le produit à une sortie ayant la même configuration comme le bouchon. Ne pas utiliser un adaptateur avec ce produit.

Les circuits utilisés avec la tondeuse devraient être munis d'un interrupteur de défaut à la terre. Des connecteurs avec un interrupteur de défaut à la terre sont disponibles et peuvent être utilisés pour satisfaire à cette mesure de sécurité.

Si la scie est utilisée avec une cordon prolongateur, garantir la connexion du cordon d'alimentation de l'outil et la cordon prolongateur n'est pas par terre.

Si une sortie protégée n'est pas disponible, ne pas utiliser la scie jusqu'à ce qu'une sortie peut être changée ou la protection auxiliaire peut être obtenue. Ces appareils auxiliaires de protection sont disponibles à votre détaillant local.

PLACER DE LA SCIE À CARREAUX

Voir la figure 2.

Afin d'éviter de mouiller la fiche de l'appareil ou la prise de courant, placer la scie à carreaux du côté d'une prise de courant murale afin d'empêcher l'eau de s'égoutter dans la prise ou la fiche. L'utilisateur doit arranger une boucle d'égouttement dans le cordon reliant la scie à la prise de courant. La boucle d'égouttement est la partie du cordon qui se trouve sous le niveau de la prise, ou du connecteur dans le cas d'utilisation d'une rallonge, pour empêcher l'eau de s'égoutter le long du cordon et d'entrer en contact avec la prise.

Si la fiche ou la prise entrent en contact avec de l'eau NE PAS débrancher le cordon. Débrancher le fusible ou le disjoncteur qui alimentent l'outil. Ensuite, débrancher l'appareil et vérifier s'il y a de l'eau dans la prise.

⚠ AVERTISSEMENT :

Pour réduire le risque d'électrocution, garder toutes les connexions sèches et dégagées du sol. Ne pas toucher à la fiche lorsque les mains sont mouillées.

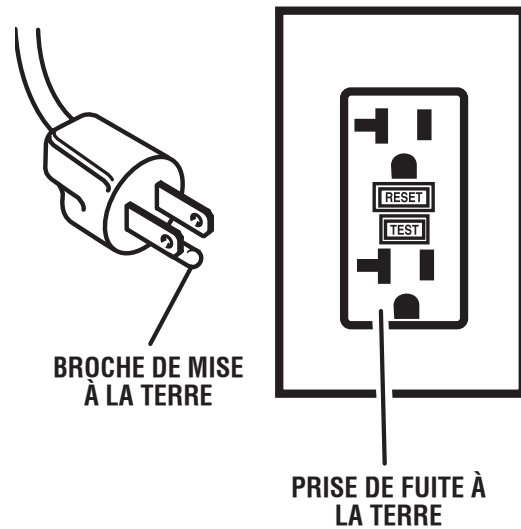


Fig. 1

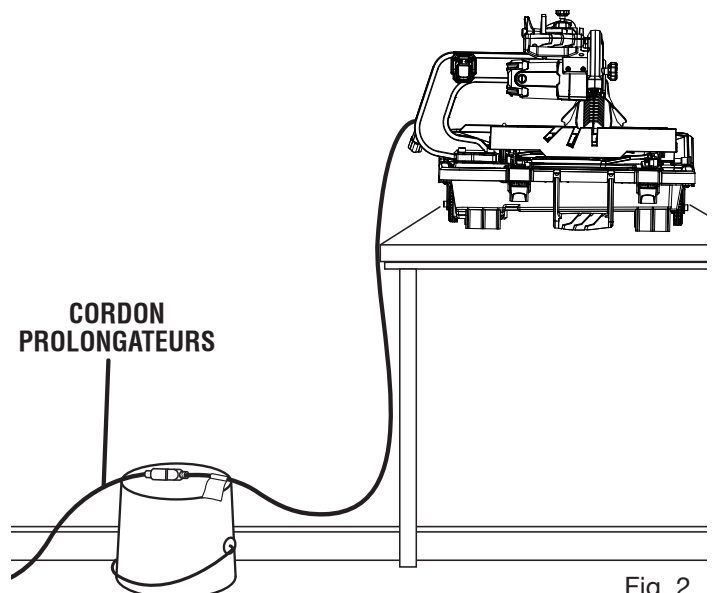
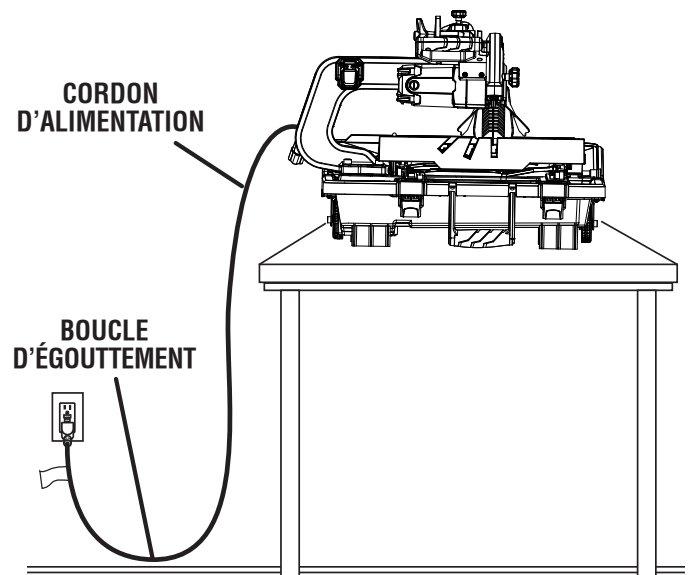


Fig. 2

CARACTÉRISTIQUES

FICHE TECHNIQUE

Diamètre de la meule..... 203 mm (8 po)
 Arbre de la meule 15,8 mm (5/8 po)
 Capacité de refente (carreaux la taille)..... 610 mm (24 po)

Capacité de diagonale (carreaux la taille)... 457 mm (18 po)
 Profondeur de coupe maximum.....70 mm (2-3/4 po)
 Alimentation nominale.....120 V~, 12 A, 60 Hz
 Vitesse à vide5 000 r/min (RPM)

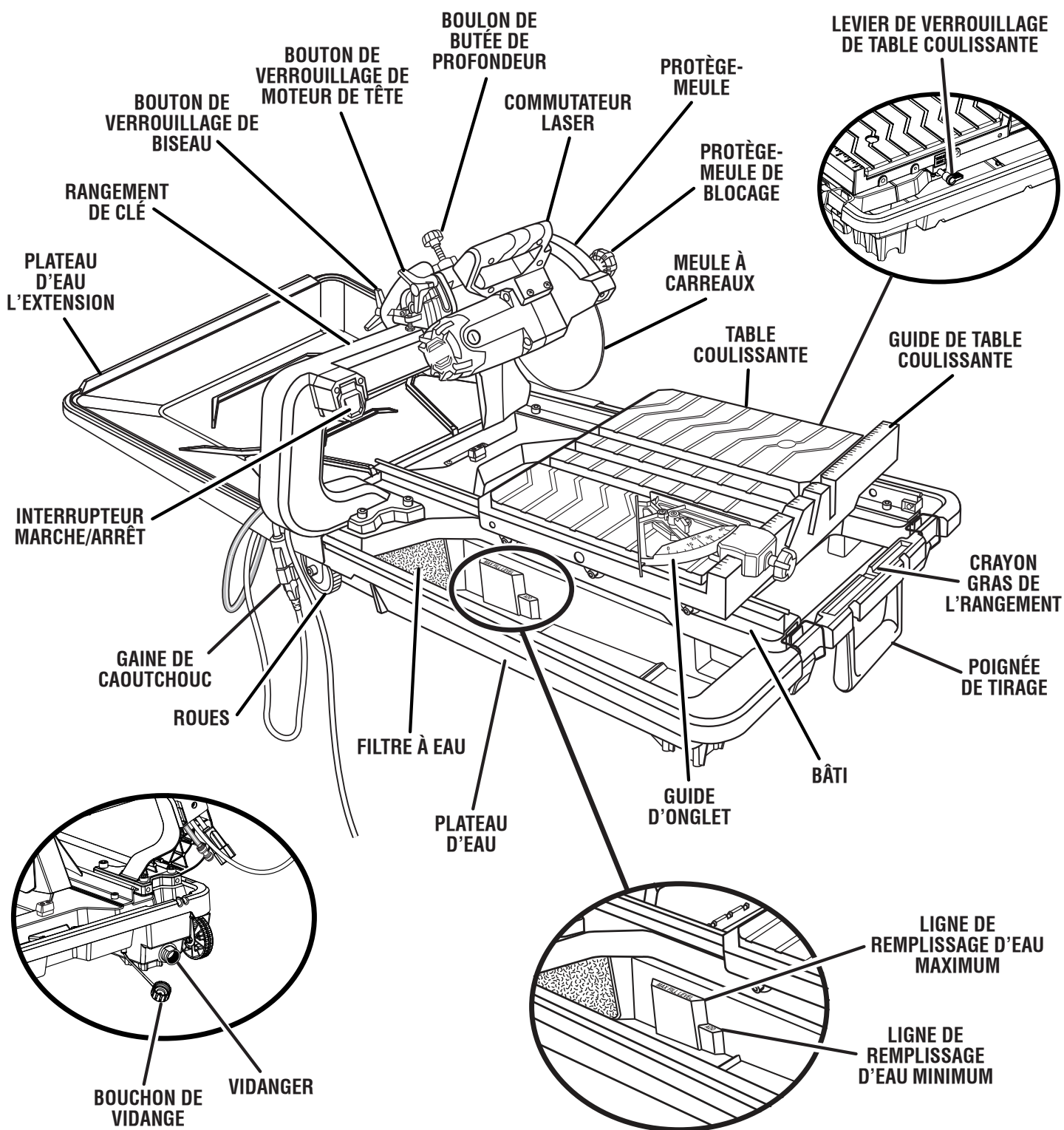


Fig. 3

CARACTÉRISTIQUES

POUR SE FAMILIARISER AVEC LA SCIE À CARREAUX

Voir la figure 3.

L'utilisation sûre de ce produit exige une compréhension des renseignements figurant sur l'outil et contenus dans le manuel d'utilisation, ainsi qu'une bonne connaissance du projet entrepris. Avant d'utiliser ce produit, se familiariser avec toutes ses fonctions et règles de sécurité

8 PO MEULE À CARREAUX - 8 po meule à carreaux est inclus avec votre scie.

AVERTISSEMENT :

Ne pas utiliser de muelas dont la vitesse de rotation nominale est inférieure à celle de l'outil. Ne pas prendre cette précaution pourrait entraîner des blessures graves.

BOUTON DE VERROUILLAGE DE BISEAU - Le bouton de verrouillage de biseau bloque fermement la tête de la scie à tout angle se situant entre 0 et 45°. Nous recommandons de ne faire que des coupes en biseau aux angles de 0, 22,5 et 45°.

AVERTISSEMENT :

Les coupes en biseau n'étant pas faites aux angles de 0, 22,5 et 45° peuvent provoquer le contact de la meule à tronçonner avec la table coulissante et endommager l'appareil et/ou causer des blessures graves.

SYSTÈME D'ALIGNEMENT LASER RÉGLABLE - Pour des coupes plus précises, un guide laser est inclus avec la scie. Utilisé correctement, le guide laser permet d'effectuer facilement et simplement des coupes précises. Appuyer le bouton pour allumer le laser en marche ou de l'arrêter.

GUIDE D'ONGLET - Le rapporteur facile à lire indique l'angle exact pour la coupe d'onglet et présente des cran d'arrêt à 0°, 22,5° et 45°.

INTERRUPTEUR MARCHÉ/ARRÊT - La scie est dotée d'un commutateur marche/arrêt facile d'accès se trouvant au-dessous du bras de la scie. Pour verrouiller le commutateur, installer un cadenas (non inclus) dans le trou de la gâchette. Lorsque le cadenas est installé et verrouillé, le commutateur ne peut pas être actionné. Conserver la clé de cadenas dans un autre endroit.

TABLE COULISSANTE - La table coulissante permet à l'utilisateur de glisser la pièce à travailler dans la meule afin d'effectuer des coupes précises.

ASSEMBLAGE DU PARE-ÉCLABOUSSURES ET PROTECTEUR LATÉRAL AMOVIBLE SANS OUTIL - Le pare-éclaboussures protège des éclaboussures et des brumes.

POMPE SUBMERSIBLE - Pompe submersible débit qui permet d'acheminer l'eau à la meule.

PLATEAU D'EAU L'EXTENSION - Au moment de couper des carreaux de plus grandes dimensions, la rallonge de table permet de garder la surface de travail plus propre et plus sèche.

COMPARTIMENT DE RANGEMENT DES CLÉS - La scie à carreaux dispose d'une aire de rangement pratique spécialement conçue pour les clés.

OUTILS NÉCESSAIRES

Les outils suivants (non fournis ou dessiné pour escalader)) sont nécessaires pour l'assemblage et l'alignement :

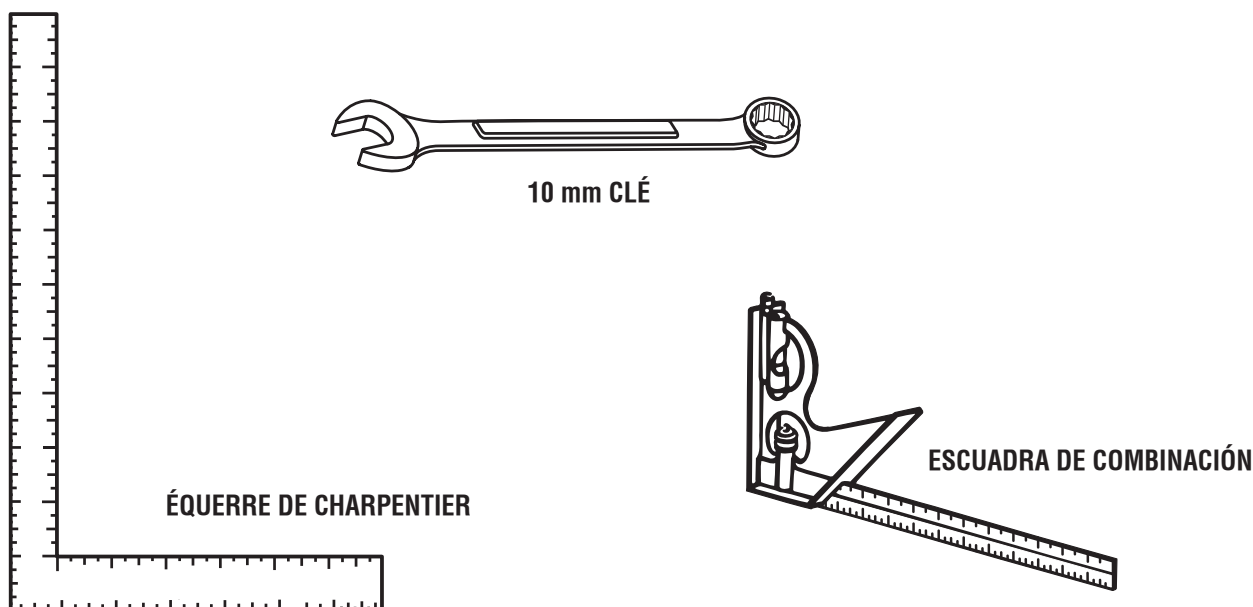


Fig. 4

PIÈCES DÉTACHÉES

Les composants suivants sont inclus avec votre scie à carreaux :

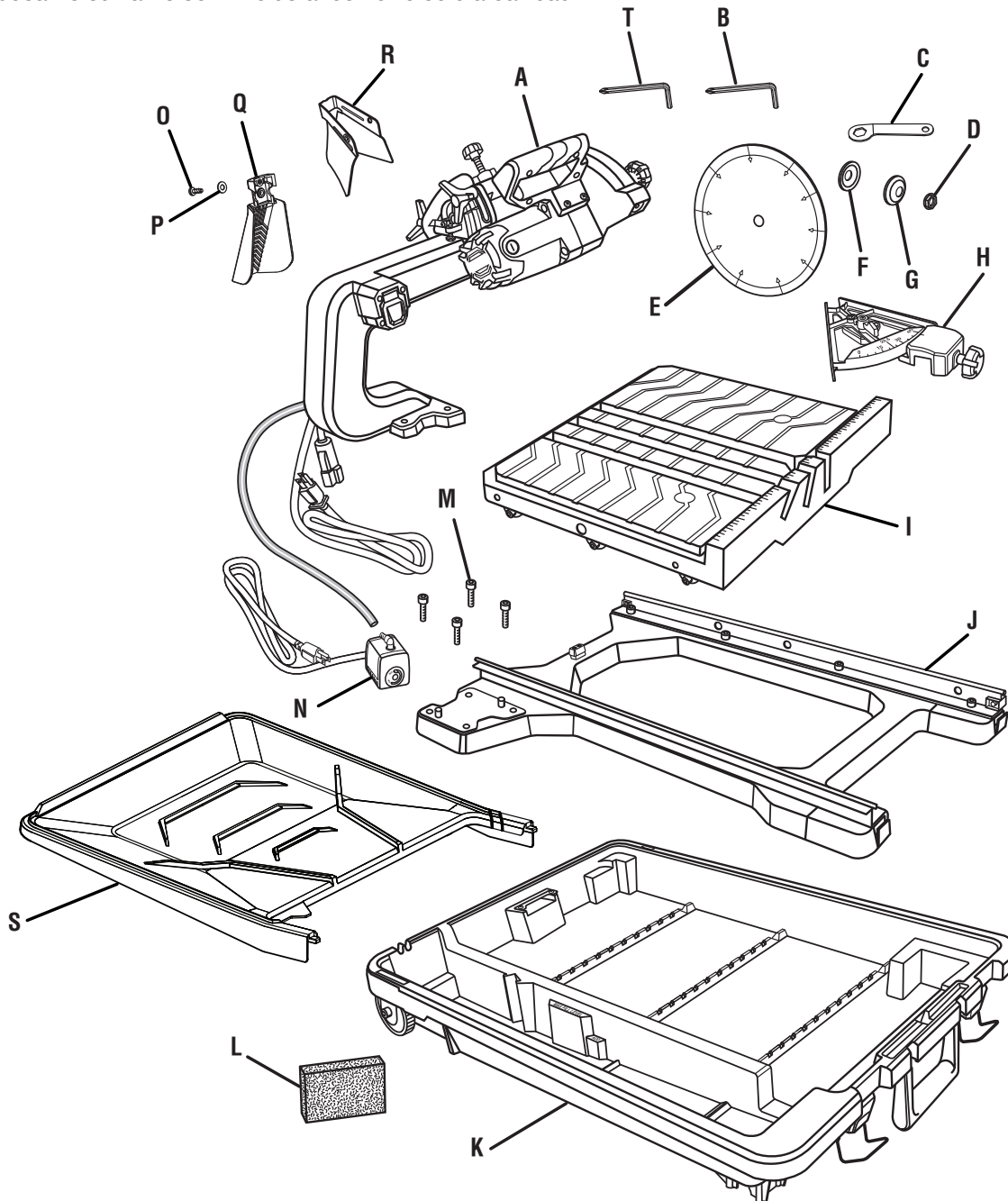


Fig. 5

A - Ensemble du moteur de tête	1	K - Plateau d'eau.....	1
B - Clé hex. (6 mm)	1	L - Filtre à eau	1
C - Clé de meule	1	M- Boulon de capuchon	4
D - Écrou pour meule	1	N - Pompe d'eau	1
E - Meule à carreaux.....	1	O - Vis.....	1
F - Rondelle intérieur	1	P - Rondelle	1
G - Rondelle extérieure.....	1	Q - Pare-éclaboussures arrière	1
H - Guide d'onglet.....	1	R - Pare-éclaboussures latéral.....	1
I - Table coulissante.....	1	S - Plateau d'eau l'extension	1
J - Cadre.....	1	T - Clé hex. (2,5 mm)	1

ASSEMBLAGE

DÉBALLAGE

Voir la figure 5.

Ce produit doit être assemblé.

- Sortir soigneusement les pièces du carton et la poser sur un plan de travail horizontal.

NOTE: Le meilleur des pièces détachées comme indiqué ci-dessous sont stockés dans le réservoir d'eau.

⚠ AVERTISSEMENT :

Ne pas utiliser le produit si, en le déballant, vous constatez que des éléments figurant dans la liste des pièces détachées sont déjà assemblés. Certaines pièces figurant sur cette liste n'ont pas été assemblées par le fabricant et exigent une installation. Le fait d'utiliser un produit qui a été assemblé de façon inadéquate peut entraîner des blessures.

- Examiner soigneusement l'outil pour s'assurer que rien n'a été brisé ou endommagé en cours de transport.
- Ne pas jeter les matériaux d'emballage avant d'avoir soigneusement examiné l'outil et avoir vérifié qu'il fonctionne correctement.
- La scie est réglée en usine pour effectuer une coupe précise. Après l'avoir assemblée, vérifier sa précision. Si les réglages ont été modifiés en cours d'expédition, voir les procédures spécifiques présentées dans ce manuel.
- Si des pièces sont manquantes ou endommagées, appeler le 1-866-539-1710.

⚠ AVERTISSEMENT :

Si des pièces manquent ou sont endommagées, ne pas utiliser ce outil avant qu'elles aient été remplacées. Le fait d'utiliser ce produit même s'il contient des pièces endommagées ou s'il lui manque des pièces peut entraîner des blessures graves.

⚠ AVERTISSEMENT :

Ne pas essayer de modifier cet outil ou de créer des accessoires non recommandés pour l'outil. De telles altérations ou modifications sont considérées comme un usage abusif et peuvent créer des conditions dangereuses, risquant d'entraîner des blessures graves.

⚠ AVERTISSEMENT :

Ne pas brancher sur le secteur avant d'avoir terminé l'assemblage. Le non-respect de cet avertissement peut causer un démarrage accidentel, entraînant des blessures graves.

INSTALLATION ENSEMBLE DU MOTEUR POUR BÂTI

Voir la figure 6.

- Aligner les trous dans le ensemble du moteur de tête avec les trous sur le bâti d'eau.
 - Abaisser la tête du moteur sur les montants.
 - Visser les vis à tête creuse dans l'assemblage de la tête de moteur et dans les trous du cadre.
 - Serrer les vis en utilisant la clé hexagonale de 6 mm (fournie).
- NOTE :** Le rangement de clé est situé à l'arrière du moteur
- Mettre la tête de moteur et le cadre de côté.

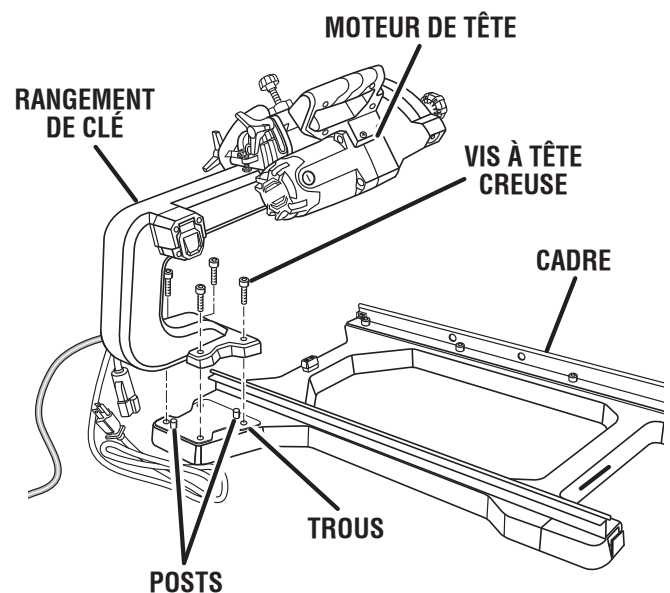


Fig. 6

ASSEMBLAGE

INSTALLATION DU FILTRE À EAU ET DE LA POMPE À EAU

Voir les figures 7 à 9.

La pompe permet de réacheminer l'eau du plateau à la coulée sur la meule.

- Repérer les fentes du filtre et de la cuvette de la pompe situées dans plateau d'eau. La cuvette de la pompe est identifiée par « pump well ».
- Glisser le filtre dans les fentes du filtre, comme illustré.
- Repérer le sélecteur de débit d'eau « Max/Min » de la pompe. Pour obtenir un rendement optimal, régler le sélecteur de débit d'eau à « Max » pour contrôler le débit d'eau sur la meule.

NOTE : Le débit d'eau peut être réglé pendant l'utilisation en retirant le filtre pour atteindre la cuvette et en tournant le sélecteur de débit sur la pompe. Réinstaller le filtre.

- Déposer la pompe à eau dans la cuvette de la pompe.

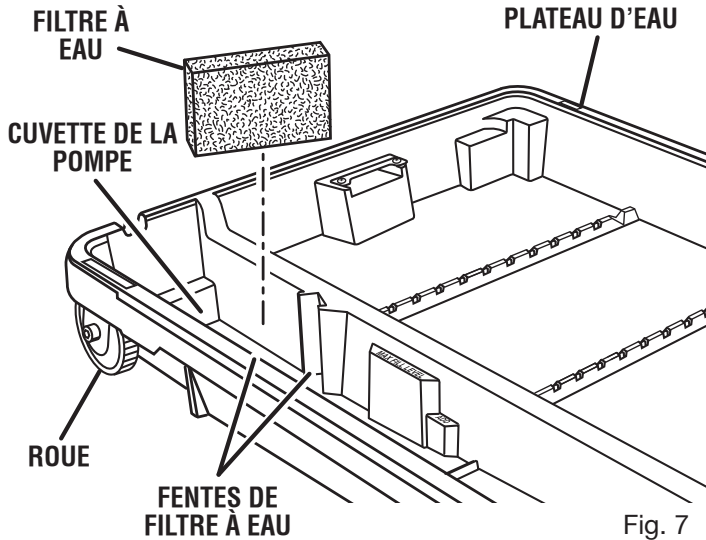
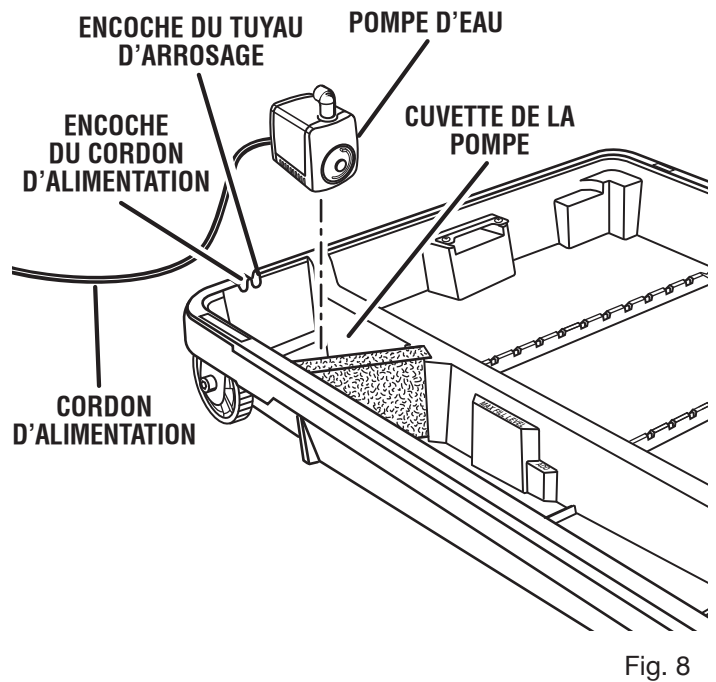
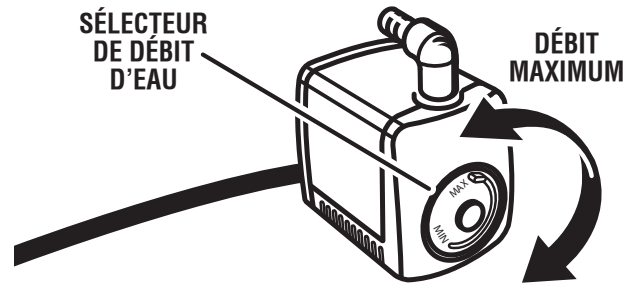


Fig. 7

Fig. 8

ASSEMBLAGE

INSTALLATION DU PLATEAU D'EAU

Voir les figures 8 et 9.

- Déposer le plateau d'eau, dans lequel seront installés la pompe et le filtre, sur une surface plane et solide ou sur un plancher à niveau.
- Fixer le tuyau d'arrosage au coude de la pompe.
- Soulever doucement la tête du moteur et le cadre du plateau d'eau par-dessus le plateau d'eau, comme illustré.
- Incliner le cadre du plateau d'eau et insérer l'onglet robuste dans la fente de la barre.
- Sécuriser le cadre du plateau d'eau en place à l'aide des loquets situés à l'avant du plateau d'eau.

- Raccorder le cordon d'alimentation de la pompe au cordon d'alimentation de la tête de moteur. S'assurer que la gaine caoutchoutée est tirée par-dessus la connexion du cordon pour aider à prévenir les éclaboussures d'eau sur la fiche.
NOTE : La pompe s'allume lorsque le moteur est mis en marche. Permettre à la meule d'atteindre sa vitesse maximale et attendre qu'elle soit humide avant d'engager le matériau dans la meule.
- Installer le cordon d'alimentation et le tuyau d'arrosage dans les encoches situées sur le plateau d'eau.

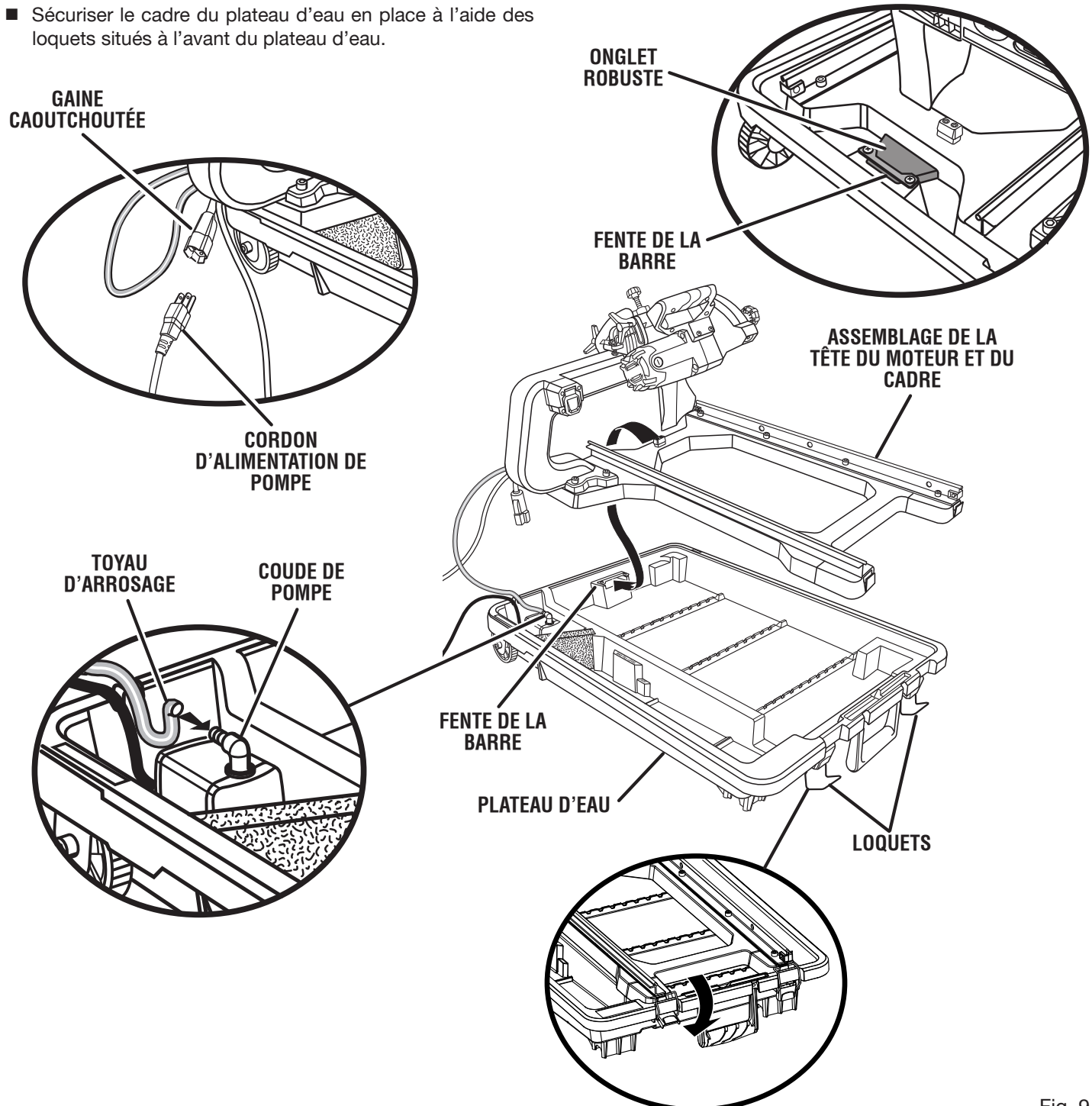


Fig. 9

ASSEMBLAGE

INSTALLATION DES TABLE COULISSANTE

Voir la figure 10.

Pour installer de table coulissante :

- Tenir fermement la table et installer les rouleaux à l'avant des rails.
- Tenir la table parallèle de l'avant du bâti, pousser la table vers l'arrière du scie.
- Lorsque le levier de verrouillage de table atteint l'arrêt sur la riel de devant sur le côté droite du bâti, tirer le levier et le tenir hors jusqu'à ce que la asegurar a passé butée. Relâcher la levier.
- Glisser la table le long des riels jusqu'à ce que les cylindres finals engagent les riels.

Pour verrouillage de table coulissante :

- Tirer le levier de verrouillage de la table vers l'extérieur et le tourner sur 90° vers la gauche.
- Relâcher la levier.

NOTE : Lorsque la table est installée sur le plateau d'eau et vous poussez la table, il « déclic » à sa place. Ceci est le levier de verrouillage de table qui claqué dans un trou dans le cadre qui verrouille la table à sa place.

Pour déverrouillage de table coulissante :

- Tirer le levier de verrouillage de la table vers l'extérieur et le tourner sur 90° vers la gauche.

MEULE À CARREAUX

Para rendement maximum et sécurité, Il est conseillé de n'utiliser que le muele de coupe de 203 mm (8 po) est fournie avec la scie. Il existe d'autres modèles de muelles de la même qualité prévues pour votre distributeur local.

AVERTISSEMENT :

Ne pas utiliser de muelles dont la vitesse à vide de rotation nominale est inférieure à celle de l'outil. Le non-respect de cet avertissement pourrait entraîner des blessures graves. Ne jamais utiliser des meules qui ont des ouvertures, des rainures, ou des dents sur cet outil.

INSTALLATION DE LA MEULE À CARREAUX

Voir la figure 11.

AVERTISSEMENT :

Cette scie n'utilise que des muelles dont la largeur maximale de 8 po. Ne jamais utiliser une muele trop épaisse car elle empêcherait la rondelle extérieure de la muele de s'engager sur les méplats de la broche. Des muelles de trop grand diamètre toucheraient les protections de muele et des meules trop épaisses empêcheraient le boulon le muele de maintenir le muele sur la broche. Ces deux peuvent causer un accident et des blessures graves.

- Débrancher la scie.
- Verrouiller la table en position avant.

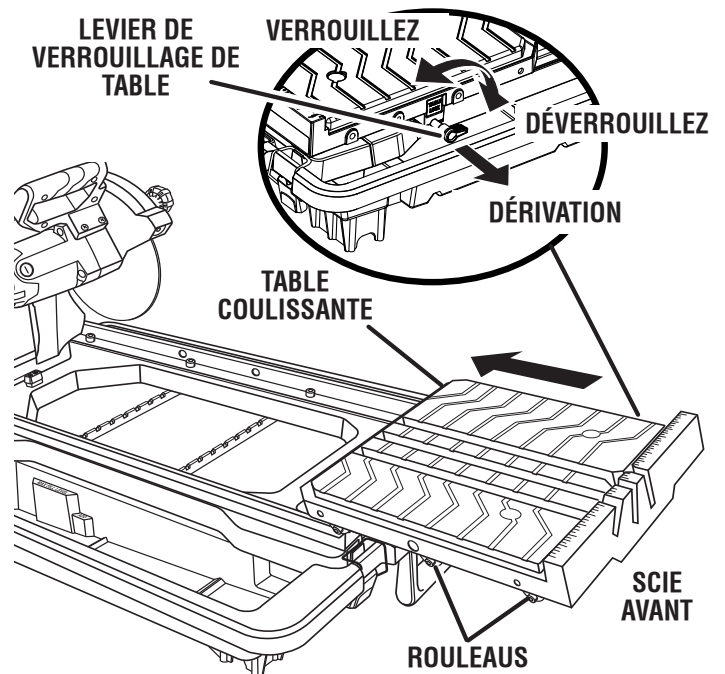


Fig. 10

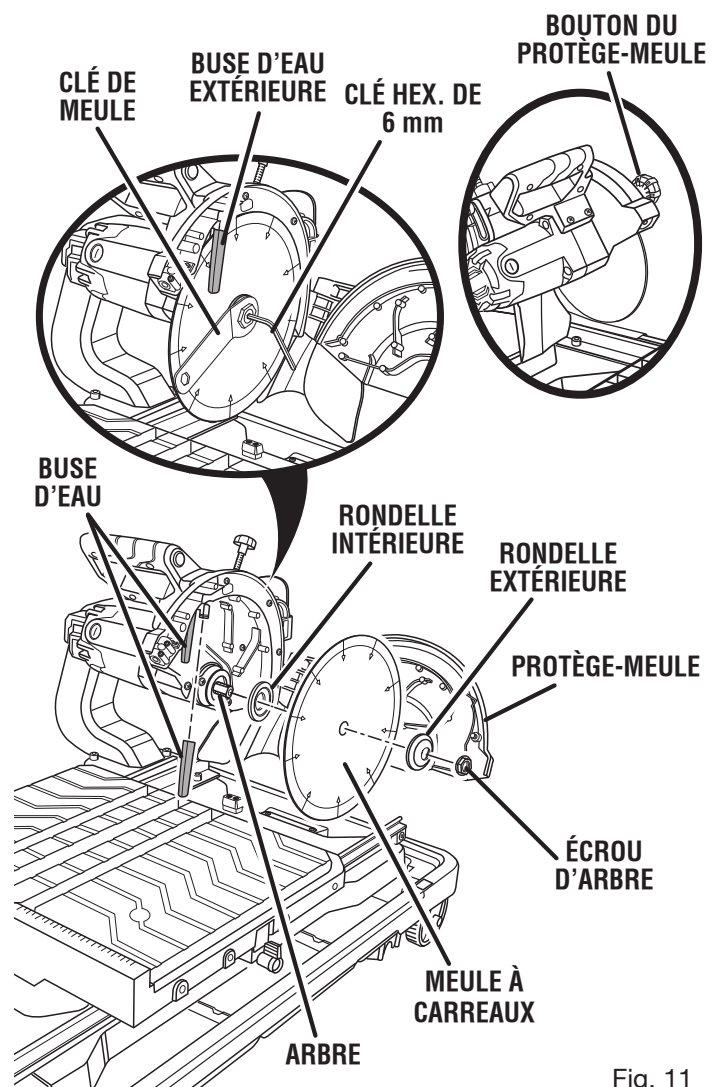


Fig. 11

ASSEMBLAGE

- Dévisser le boulon du protège-meule en le tournant vers la gauche et ouvrir le protège-meule.
- Placer la clé de meule sur l'écrou de l'arbre puis insérer la clé hexagonale de 6 mm sur l'arbre.
- Tenir fermement la clé hexagonale pour immobiliser et tourner la clé de meule vers la gauche pour dévisser.
- Retirer la écrou d'arbre et rondelle extérieure en laissant la rondelle intérieure sur l'arbre.

⚠ AVERTISSEMENT :

Si la rondelle intérieure a été retirée, la remettre en place avant d'installer la meule sur la broche. L'absence de cette pièce pourrait provoquer un accident car le mueler ne serait pas correctement serrée. Ne jamais utiliser des meules avec des ouvertures, des rainures ou des dents sur cet outil.

- Placer la meule de coupe sur l'arbre en orientant les flèches de la meule dans le sens antihoraire.

NOTE : Le produit est livré avec deux buses à eau installées. S'assurer d'installer une buse d'eau de chaque côté de la meule et de diriger les sorties d'eau devant la meule. La buse d'eau extérieure peut se retirer facilement pour permettre l'installation de la meule. Vérifier si la buse d'eau extérieure a été réinstallée et que la sortie d'eau est dirigée devant la meule.

- Remplacer la rondelle extérieure. Les deux méplats en « D » des rondelles de meule s'alignent sur les méplats de la broche.
- Remplacer l'écrou d'arbre sur l'arbre. À l'aide de la clé de meule et de la clé hex de 6 mm, serrer solidement l'écrou d'arbre.

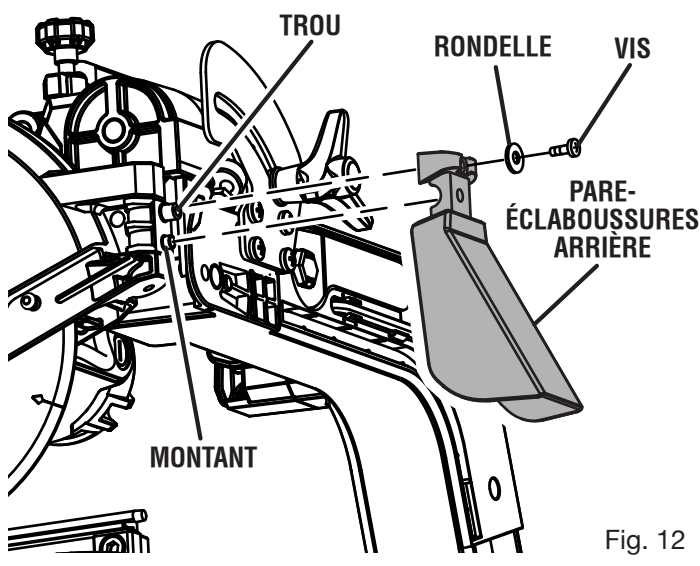


Fig. 12

INSTALLATION DU PARE-ÉCLABOUSSURES

Voir les figures 12 à 14.

Le pare-éclaboussures de cette scie est constitué de deux pièces.

Fixation du pare-éclaboussures arrière :

- Aligner les trous du pare-éclaboussures avec le trou de vis et le montant situés à l'arrière du protège-meule, comme illustré.
- Insérer la vis dans la rondelle et le pare-éclaboussures puis visser dans le trou de vis.
- Serrer fermement. Éviter le serrage excessif.

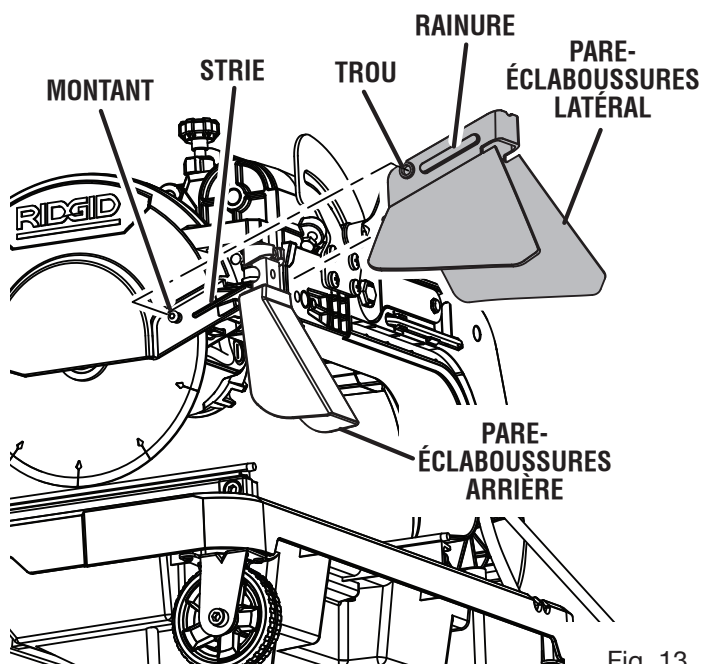


Fig. 13

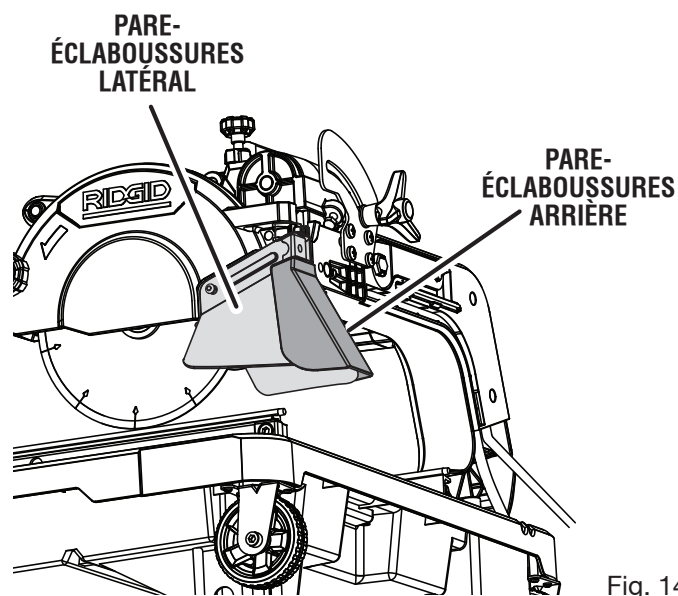


Fig. 14

ASSEMBLAGE

Fixation du pare-éclaboussures latéral :

- Installer le pare-éclaboussures latéral par-dessus le pare-éclaboussures arrière.
- Insérer le montant, situé sur le côté du protège-meule, dans le trou du pare-éclaboussures latéral.
- Fixer les rainures du pare-éclaboussures aux saillies du protège-meule.
- Répéter cette étape avec l'autre côté.
- Dès la fin du montage, tirer le pare-éclaboussures arrière vers l'extérieur afin que les bavettes reposent par-dessus le pare-éclaboussures latéral.

INSTALLATION PLATEAU D'EAU L'EXTENSION

Voir la figure 15.

- Depuis l'arrière de la scie, aligner la rallonge du plateau d'eau et les onglets du plateau en direction des fentes.
- Incliner le plateau et glisser les onglets du plateau entre le haut et le bas du cadre. **Le plateau doit se positionner par-dessus le cordon d'alimentation de la pompe et le tuyau d'arrosage.**
- Une fois que la rallonge est glissée en place, abaisser les onglets du plateau jusqu'à ces derniers s'insèrent dans les trous situés sous le cadre.

INSTALLATION GUIDE D'ONGLET

Voir la figure 16.

Le guide d'onglet peut être utilisé de la gauche et de la droite du côté de la meule de coupe.

- Placer la fente en dessous du guide d'onglet du guide de la table coulissante.
- Verrouiller solidement le guide d'onglet sur la table en tournant le bouton du guide d'onglet dans le sens horaire.

Réglage l'angle :

- Desserrer le bouton d'onglet.
- Tourner à l'angle désiré en déplaçant le guide est à gauche ou à droite.
- Serrer le bouton fermement.

REMPLISSAGE/CHANGEMENT DU RÉSERVOIR D'EAU

Voir la figure 17.

- Installer le bouchon de vidange.
- Remplir le réservoir d'eau avec de l'eau du robinet jusqu'à la ligne de remplissage. Ne pas dépasser la ligne de remplissage maximale du plateau.

Pour changer l'eau du réservoir :

- Débrancher la scie.
- Retirer le tuyau de trop-plein et le bouchon de vidange dans un seau. Éviter les éclaboussures sur le sol ou autour de la machine.
- Rincer complètement le réservoir d'eau.
- Jetez de l'eau de gaspillage conformément aux règlements locaux.

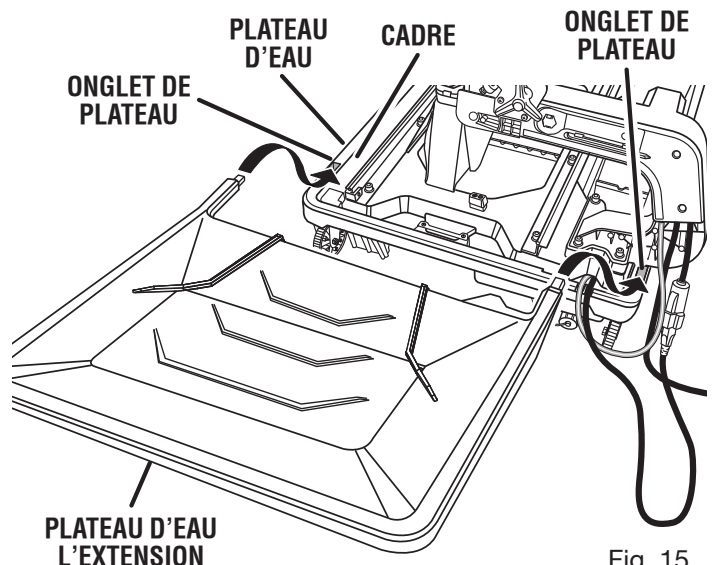


Fig. 15

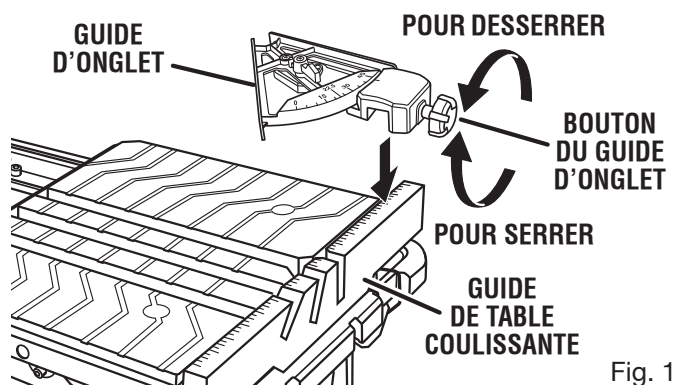


Fig. 16

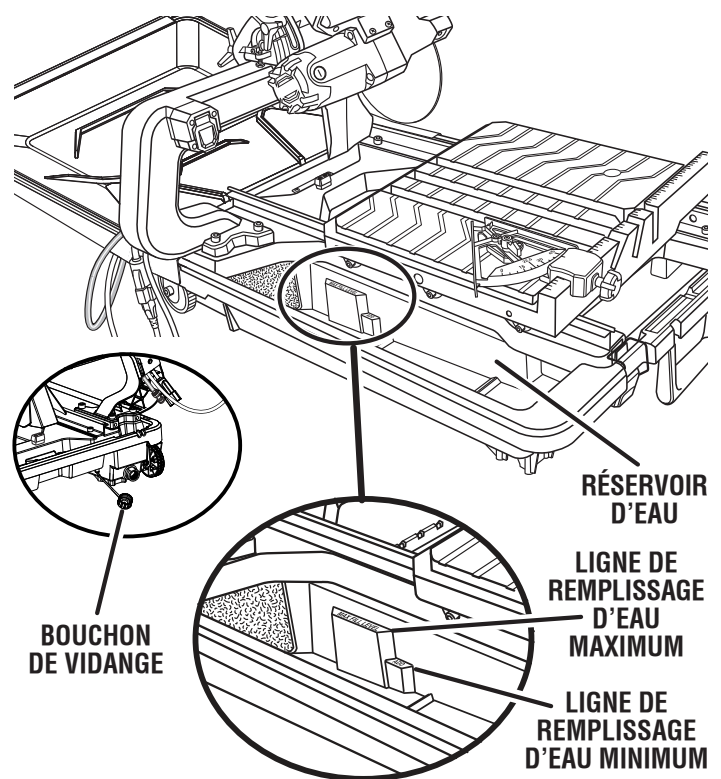


Fig. 17

ASSEMBLAGE

- Installer le bouchon de vidange et remplir le plateau avec de l'eau propre.

NOTE : Le drain se fixe au boyau d'arrosage de dimensions classiques.

TRANSPORT DE LA SCIE À CARREAUX

Voir la figure 18.

- Verrouiller la table coulissante.
- Enlever la rallonge du plateau d'eau.
- S'assurer que les boyaux et les cordons d'alimentation ne traînent pas au sol.
- La scie se déplace facilement en utilisant les poignées et les roues.



Fig. 18

UTILISATION

AVERTISSEMENT :

Ne pas laisser la familiarité avec l'outil faire oublier la prudence. Ne pas oublier qu'une fraction de seconde d'inattention peut entraîner des blessures graves.

AVERTISSEMENT :

Toujours porter une protection oculaire avec écrans latéraux certifiée conforme à la norme ANSI Z87.1 ainsi qu'une protection auditive et respiration. Si cette précaution n'est pas prise, des objets peuvent être projetés dans les yeux et causer des lésions graves.

AVERTISSEMENT :

Ne pas utiliser d'outils ou accessoires non recommandés pour cet outil. L'utilisation de pièces et accessoires non recommandés peut entraîner des blessures graves.

APPLICATIONS

Cette scie a été conçue pour couper uniquement les carreaux en matériaux synthétiques, les pavés, les tuiles de pierre et les pavés jusqu'à 10,2 cm (4 po) d'épaisseur.

Cet outil peut être utilisé pour les applications ci-dessous :

- La ligne droite coupant des opérations comme coupes transversales, coupe d'onglet, courte longitudinale, et biseau
- La coupe de pierres à jardin.

UTILISATION

COMMUTATEUR MARCHÉ / ARRÊT

Voir la figure 19.

Pour mettre la scie en marche :

- Le relever pour mettre la scie en marche.

Pour arrêter la scie :

- Abaisser le commutateur en position d'arrêt.

Pour verrouiller la scie :

- Avec la scie éteinte, installer un cadenas (non inclus) dans le trou de la commutateur.

⚠ AVERTISSEMENT :

Lorsque l'outil n'est pas en usage, toujours retirer la clé et la ranger en lieu sûr. En cas de panne secteur, mettre le commutateur en position d'arrêt. Ceci empêchera un démarrage accidentel lorsque le courant est rétabli.

⚠ AVERTISSEMENT :

TOUJOURS s'assurer que la pièce n'est pas en contact avec la meule avant de mettre le commutateur de l'outil en position de marche. Ne pas prendre cette précaution peut causer le rebond de la pièce en direction de l'opérateur et d'entraîner des blessures graves.

⚠ AVERTISSEMENT :

Pour éviter un démarrage accidentel, toujours s'assurer que le commutateur est en position d'arrêt avant de brancher l'outil.

VERROUILLAGE / DÉVERROUILLAGE DU MOTEUR DE TÊTE POUR COUPES PLONGEANTE

Voir la figure 20.

Pour déverrouiller et relever le moteur de tête :

- Tenir fermement la poignée en D et appuyer vers le bas tout en tournant simultanément le bouton de verrouillage de la tête du moteur vers la gauche.
- Soulever lentement la tête du moteur.

Pour reverrouiller le moteur de tête :

- Tenir fermement la poignée en D et appuyer vers le bas tout en tournant simultanément le bouton de verrouillage de la tête du moteur vers la droite pour verrouiller.

NOTE : Pour toutes les coupe traversante, placer le bras de la scie dans la position verrouillée.

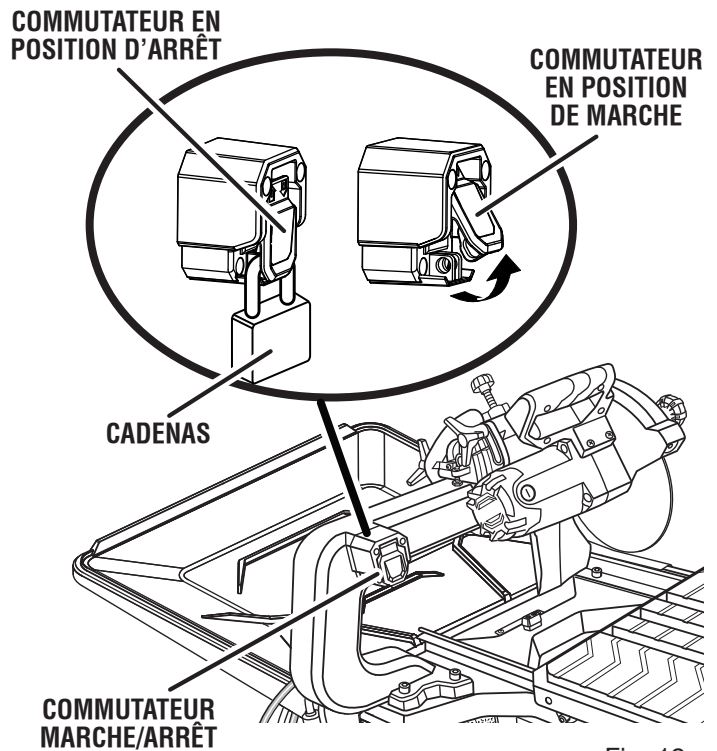


Fig. 19

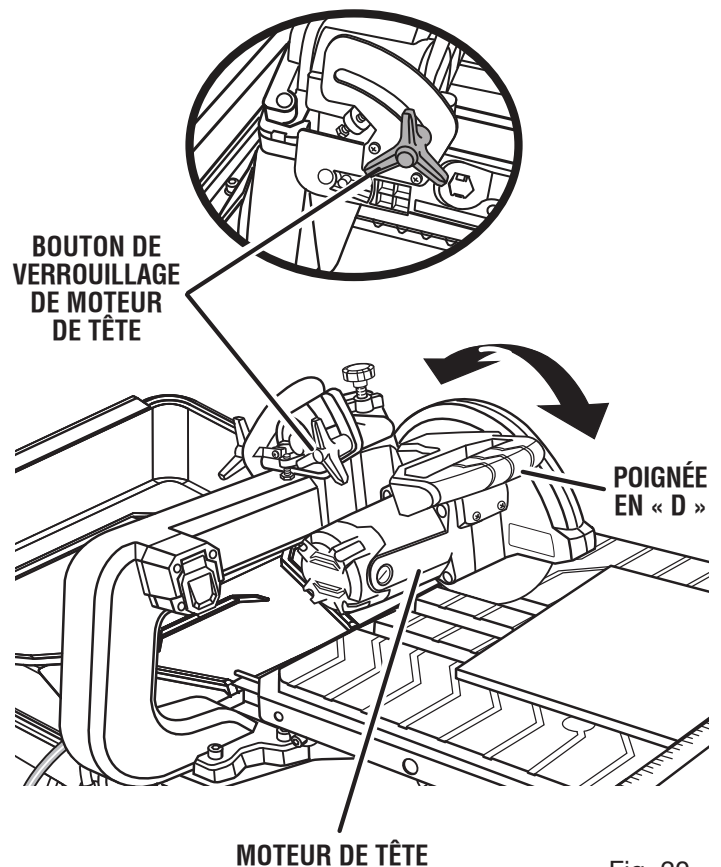


Fig. 20

UTILISATION

EXÉCUTION DE COUPES

Toujours dessiner la ligne être coupée sur le carreaux utilisant un crayon de borne ou graisse. Si le carreaux est brillant et dur-à-la marque, le lieu masquant la bande sur le carreaux et marque la bande.

Un problème commun en coupant le carreaux erre de la ligne marquée. Une fois vous avez erré de la marque, vous ne pouvez pas forcer la muele de retour à la ligne en tordant le carreaux. Plutôt, la sauvegarde et recut que le carreaux coupant en tranches d'une petite quantité de carreaux jusqu'à ce que la meule est arrière sur la piste.

Pour éviter ce problème, utiliser le guide d'onglet déchirure quand possible.

Un autre problème coupe du matériel difficile. Pour empêcher écailler du matériel à la fin de la coupure, utiliser le coupe en plongée.

NOTE : Un réglage moins profond de la lame peut aider à minimiser les éclats, consulter le chapitre « Réglages de la butée de profondeur ».

Nettoyez la table de la scie et le guide d'onglet, fréquemment pendant l'utilisation. Les débris de matériau coupe peut interférer avec la fonction outil.

⚠ DANGER :

Rayonnement laser. Éviter tout contact oculaire direct avec la source du rayon.

⚠ AVERTISSEMENT :

L'usage de contrôles, de réglages ou de procédures ne figurant pas dans ce manuel peut entraîner l'exposition à des rayonnements dangereux.

UTILISATION DU GUIDE LASER

Voir la figure 21.

Utiliser un bord droit ou une équerre pour dessiner une marque sur le carreaux à l'aide d'un marqueur ou un crayon gras. Allumez et fermez le laser en appuyant sur l'interrupteur du guide laser situé sur le côté de la poignée en D. Lorsque le laser est en fonction, il génère une ligne rouge sur la surface de travail. Le pointillé permet de voir la marque tracée sur le carreaux en même temps que le trait laser ce qui permet d'aligner les deux lignes afin d'obtenir une coupe plus précise.

NOTE: Le faisceau peut être difficile à voir.

Avec la muele dans la position de coupe, déplacer le carreaux jusqu'à ce que la marque et le faisceau du laser soient alignées.

Effectuer plusieurs coupes d'essais sur des chutes de différents type de matériau et de différentes épaisseurs. Répéter les étapes ci-dessus comme nécessaire.

Effacement du tracé de coupe :

Placer le carreaux de manière à ce que la ligne du laser se trouve près du bord gauche de la marque afin de couper la marque.

Coupe sur le tracé :

Placer le carreaux de manière à ce que la ligne du laser se trouve près ou sur la marque afin de couper cette marque.

Pour laisser le tracé de coupe :

Positionner le carreaux de manière à ce que la ligne du laser se trouve près du bord droit de la marque afin de ne pas faire disparaître la marque.

Une fois familiarisé avec l'usage du laser, l'opérateur pourra effacer le tracé, le laisser ou effectuer la coupe sur celui-ci. La pratique permettra de découvrir la position adéquate du trait laser par rapport au tracé.

Pour ajuster la position de la ligne de guide du laser, consulter le chapitre des *Ajustements* plus loin dans ce manuel.

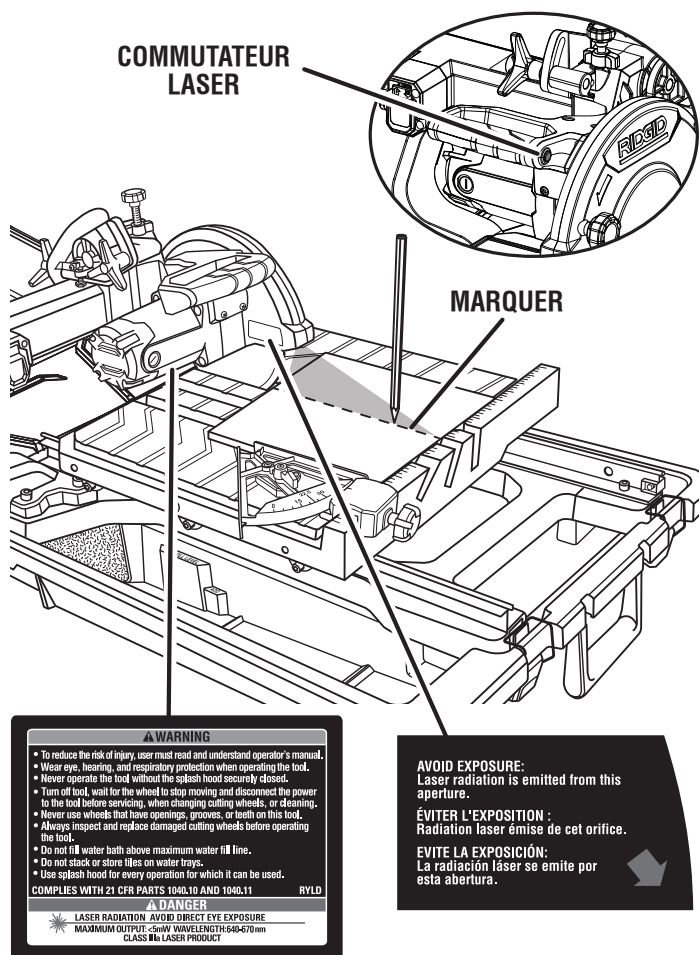


Fig. 21

UTILISATION

POUR EFFECTUER UNE COUPE TRANSVERSALE / REFENTE

Voir la figure 22.

Les coupes transversale / refente sont directement 90° les coupures. Le matériel est nourri dans la coupure à un 90° l'angle à la roue, et la meule est verticale.

- Utiliser un bord droit ou une équerre pour dessiner une marque sur le carreau à l'aide d'un marqueur ou un crayon gras.
- Régler le guide d'onglet à utiliser à 0° pour le côté droit ou à 90° pour le côté gauche. Serrez la manette de verrouillage, et verrouiller à sa place.
- S'assurer que le guide d'onglet ne se trouve pas dans la ligne de coupe.
- Placer le matériau sur la table et fermement contre le guide d'onglet et guide.
- Avant d'allumer la scie, s'assurer que le matériaux ne touche pas la meule à carreaux.
- Mettre le commutateur marche/arrêt en position de marche.
- Laissez le muele de coupe atteindre son régime maximum et attendre le muele pour obtenir mouillé avant d'avancer le matériau pour alimenter la pièce vers le meule.
- Maintenir la matériaux fermement contre le guide d'onglet et guide, et engager le muele de coupe.
- Une fois la coupe effectuée, arrêt la scie. Attendre que la meule à carreaux s'arrête complètement avant de retirer le matériaux.

POUR EFFECTUER UNE COUPE EN DIAGONALE

Voir la figure 23.

Les coupes diagonales sont aussi connues sous le nom de « coupes de long point à long point ».

- Utiliser un bord droit ou une équerre pour dessiner une marque sur le carreau à l'aide d'un marqueur ou un crayon gras.
- Régler le guide d'onglet à utiliser à 0° pour le côté droit ou à 90° pour le côté gauche. Serrez la manette de verrouillage, et verrouiller à sa place.
- S'assurer que le guide d'onglet ne se trouve pas dans la ligne de coupe.
- Placer le matériau sur la table et fermement contre le guide d'onglet et guide.
- Avant d'allumer la scie, s'assurer que le matériaux ne touche pas la meule à carreaux.
- Mettre le commutateur marche/arrêt en position de marche.

- Laissez le muele de coupe atteindre son régime maximum et attendre le muele pour obtenir mouillé avant d'avancer le matériau pour alimenter la pièce vers le meule.
- Maintenir la matériaux fermement contre le guide d'onglet et guide, et engager le muele de coupe.
- Une fois la coupe effectuée, arrêt la scie. Attendre que la meule à carreaux s'arrête complètement avant de retirer le matériaux.

COUPE TRANSVERSALE / REFENTE

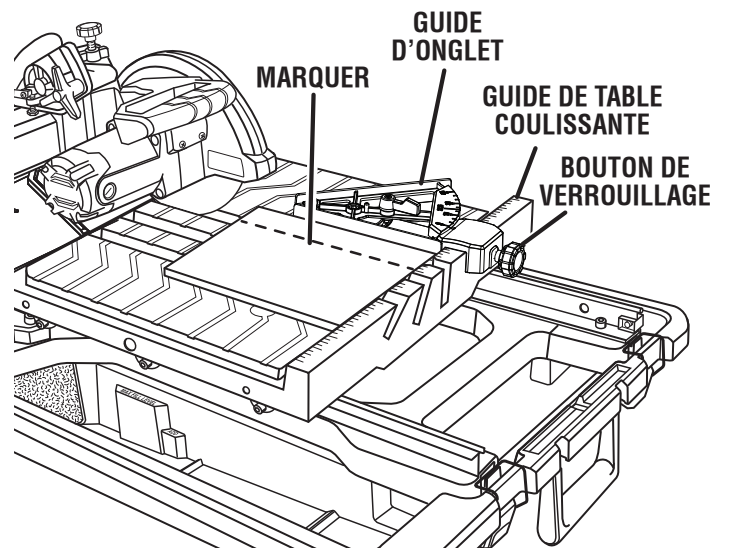


Fig. 22

COUPE EN DIAGONALE

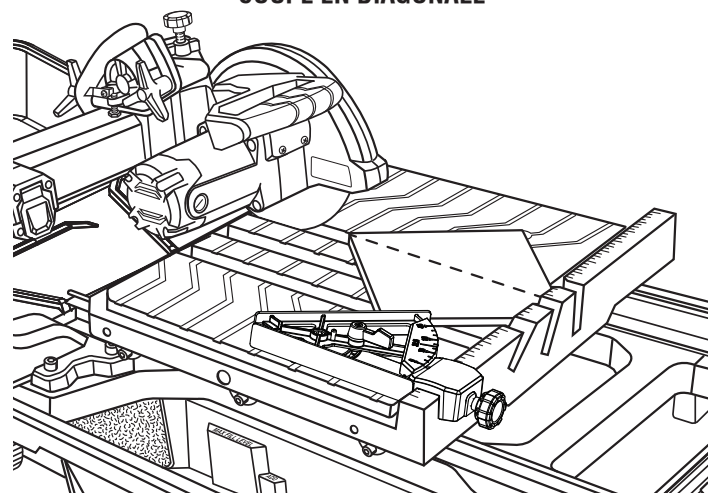


Fig. 23

UTILISATION

POUR EFFECTUER UNE COUPE D'ONGLET

Voir la figure 24.

Une coupe d'onglet pour couper les coins intérieures et extérieures de tuiles, de moulures murales décoratives et de plinthes avec le matériel à n'importe quel angle à la roue autrement que 90°. Les coupes d'onglet ont tendance à « ramper » pendant la coupe. Ceci peut être contrôlé en tenant la pièce assurément contre le guide d'onglet.

- L'utilisation d'un crayon de borne ou graisse, marquer le secteur être coupé sur le matériel.
- Placer le guide d'onglet à la position désirée, serrez la manette de verrouillage, et verrouiller à sa place.
- S'assurer que le guide d'onglet ne se trouve pas dans la ligne de coupe.
- Placer le matériau sur la table et fermement contre le guide d'onglet et guide.
- Avant d'allumer la scie, s'assurer que le matériau ne touche pas la meule à carreaux.
- Mettre le commutateur marche/arrêt en position de marche.
- Laissez le muel de coupe atteindre son régime maximum et attendre le muel pour obtenir mouillé avant d'avancer le matériau pour alimenter la pièce vers le meule.
- Maintenir la matériaux fermement contre le guide d'onglet et guide, et engager le muel de coupe.
- Une fois la coupe effectuée, arrête la scie. Attendre que la meule à carreaux s'arrête complètement avant de retirer le matériaux.

POUR EFFECTUER UNE COUPE EN L

Voir la figure 25.

Une coupe en L est une section de la matériaux q'on retire et qu'on utilise lorsqu'on coupe un morceau de matériaux afin de l'ajuster dans le coin d'une armoire ou une boiserie et sont fait par deux coupures séparées.

NOTE : Seulement overcut dessous ou au-dessous du côté du matériel est coupé.

- L'utilisation d'un crayon de borne ou graisse, marquer l'endroit à couper sur les deux côtés du matériau.
- Placer le guide d'onglet à la position désirée et verrouiller à sa place.
- S'assurer que le guide d'onglet ne se trouve pas dans la ligne de coupe.
- Placer le matériau sur la table et fermement contre le guide d'onglet et guide.
- Avant d'allumer la scie, s'assurer que le matériaux ne touche pas la meule à carreaux.
- Mettre le commutateur marche/arrêt en position de marche.
- Laissez le muel de coupe atteindre son régime maximum et attendre le muel pour obtenir mouillé avant d'avancer le matériau pour alimenter la pièce vers le meule.

- Maintenir la matériaux fermement contre le guide d'onglet et guide, et engager le muel de coupe.
- Faire une coupe prolongée le plus possible dans le matériau sans chevaucher l'autre ligne.
- Éteindre la scie dès que la coupe est terminée. Attendre que la meule à carreaux s'arrête complètement avant de retirer le matériaux.
- Tourner le matériel sur et faire la coupe le long d'une des marques. Ce surcoupe de temps l'autre ligne et le morceau de coupure doivent séparer du reste du matériel.
- Une fois la deuxième coupe effectuée, arrête la scie. Attendre que la meule à carreaux s'arrête complètement avant de retirer le matériaux.

COUPE D'ONGLET

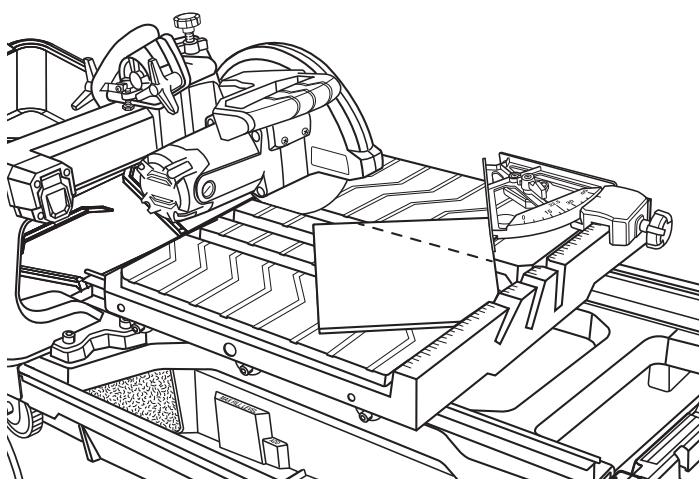


Fig. 24

COUPE EN L

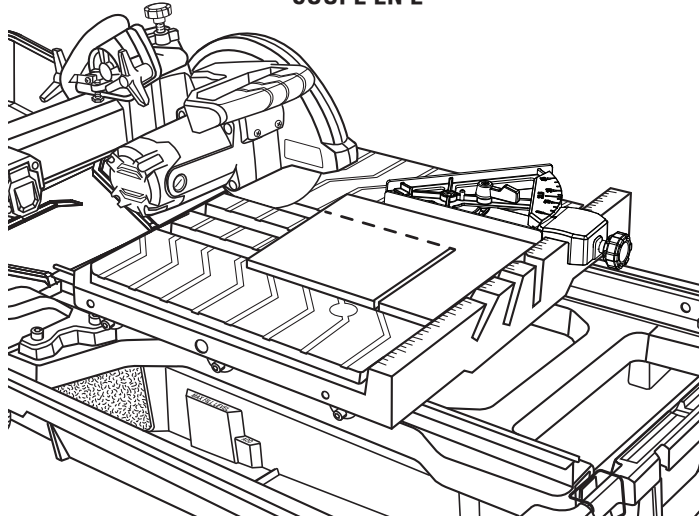


Fig. 25

UTILISATION

POUR EFFECTUER UNE COUPE BISEAU

Voir la figure 26.

Les coupes en biseau sont réalisées en approchant le matériau vers la meule à tronçonner alors que l'unité moteur est inclinée selon un angle. Nous recommandons de ne faire que des coupes aux angles de 0, 22,5 et 45°.

AVERTISSEMENT :

Les coupes n'étant pas faites aux angles de 0, 22,5 et 45° peuvent provoquer le contact de la meule à tronçonner avec la table coulissante et endommager l'appareil et/ou causer des blessures graves.

- Utiliser un bord droit ou une équerre pour dessiner une marque sur le carreau à l'aide d'un marqueur ou un crayon gras.
- Glisser la table à l'avant du plateau d'eau avant inclinaison la tête de scie.
- Desserrer le bouton de verrouillage d'angle de biseau.
- Placez le bras de scie à un angle de 22,5° ou 45° et serrez le bouton d'angle.
- Placer le guide d'onglet sur le bon côté de la table à la distance désirée de la meule et la serrure à sa place.
- S'assurer que le guide d'onglet ne se trouve pas dans la ligne de coupe.
- Placer le matériau sur la table et fermement contre le guide d'onglet et guide.
- S'assurer que le matériau ne touche pas la meule avant de démarrer la scie.
- Mettre le commutateur marche/arrêt en position de marche.
- Laissez le muel de coupe atteindre son régime maximum et attendre le muel pour obtenir mouillé avant d'avancer le matériau pour alimenter la pièce vers le meule.
- Maintenir la matériaux fermement contre le guide d'onglet et guide, et engager le muel de coupe.
- Une fois la coupe effectuée, arrêt la scie. Attendre que la meule à carreaux s'arrête complètement avant de retirer le matériaux.

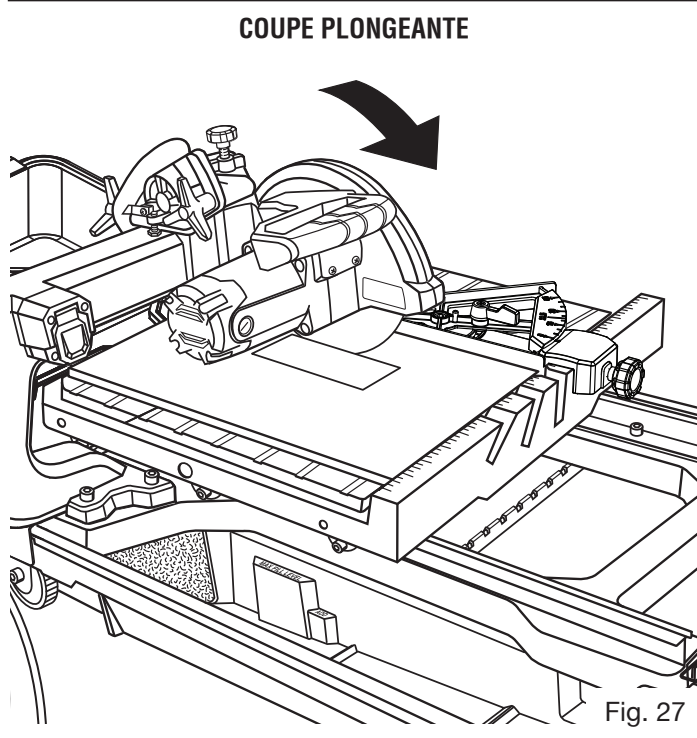
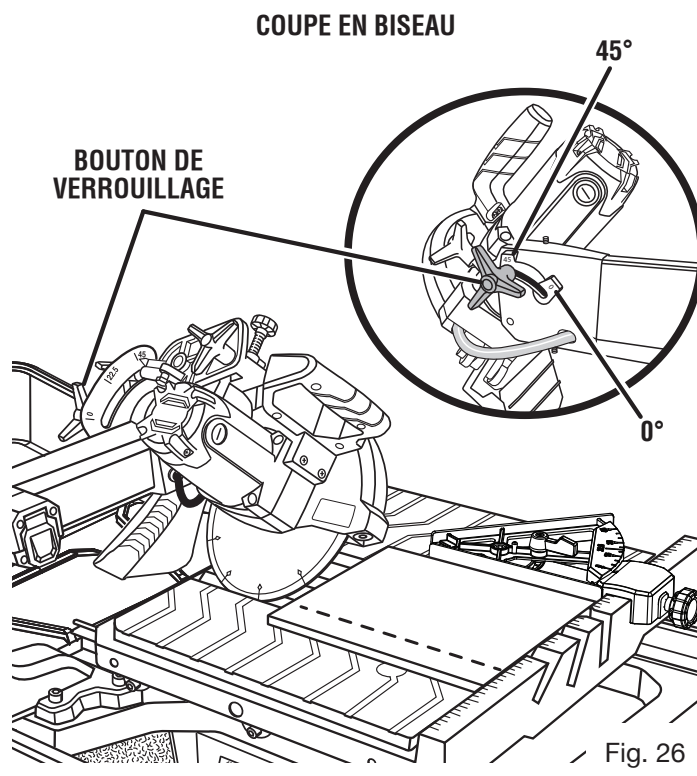
EFFECTUER UNE COUPE EN PLONGÉE

Voir la figure 27.

Il est possible d'effectuer des coupes en plongée en plaçant le matériau directement en dessous de la meule et en abaissant celle-ci sur la pièce à travailler. Cela permet de couper les pièces à partir du centre.

- L'utilisation d'un crayon de borne ou graisse, marquer le secteur être coupé sur le matériel.
- Desserrer le bouton de verrouillage situé sur le côté de la tête du moteur et tirer celle-ci vers le haut jusqu'à sa hauteur maximale.
- Placer le guide d'onglet sur le bon côté de la table à la distance désirée de la meule et la serrure à sa place.
- Mettre le commutateur marche/arrêt en position de marche.
- Laissez le muel de coupe atteindre son régime maximum et attendre le muel pour obtenir mouillé avant d'avancer le matériau pour alimenter la pièce vers le meule.

- Tenir fermement la tête du moteur par la poignée.
- Desplace le matériel à la position désirée pour couper.
- Abaisser lentement la tête du moteur dans le matériau afin d'effectuer la coupe.
- Soulever la tête du moteur.
- Mettre le commutateur marche/arrêt en position de arrêt.
- Glisser la table à l'écart de la tête du moteur et placer le matériau afin de procéder à la prochaine coupe.



UTILISATION

POUR EFFECTUER LA COUPE DE PIERRE À JARDIN

Voir les figures 28 à 31.

Les pierres à jardin nécessitent une coupe spéciale pour obtenir des courbes et des coins pour pouvoir s'adapter aux murs, terrasses et autres configurations de l'aménagement paysager.

Pour raccourcir la pierre :

- Mesurer la pierre afin de déterminer la quantité de matériau à enlever.
- Faire deux marques à l'aide d'un marqueur ou d'un crayon gras sur tout le pourtour de la pierre.
- Placer le matériau sur la table et fermement contre le guide d'onglet et guide.

NOTE : Il peut être nécessaire de retirer le pare-éclaboussures afin de libérer de l'espace pour la coupe de la pierre.

- Avant d'allumer la scie, s'assurer que le matériaux ne touche pas la meule à carreaux.
- Mettre le commutateur marche/arrêt en position de marche.
- Laissez le muele de coupe atteindre son régime maximum et attendre le muele pour obtenir mouillé avant d'avancer le matériaux pour alimenter la pièce vers le meule.
- Maintenir la matériaux fermement contre le guide d'onglet et guide, et engager le muele de coupe.

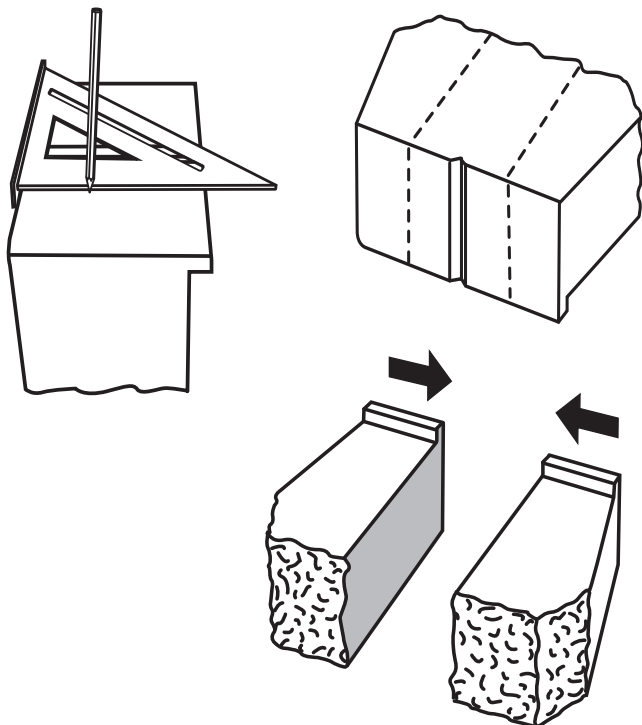


Fig. 28

- Une fois la deuxième coupe effectuée, arrêter la scie. Attendre que la meule à carreaux s'arrête complètement avant de retirer le matériaux
- Dégager la table coulissante de la tête du moteur et retourner la pierre pour faire une coupe complète.

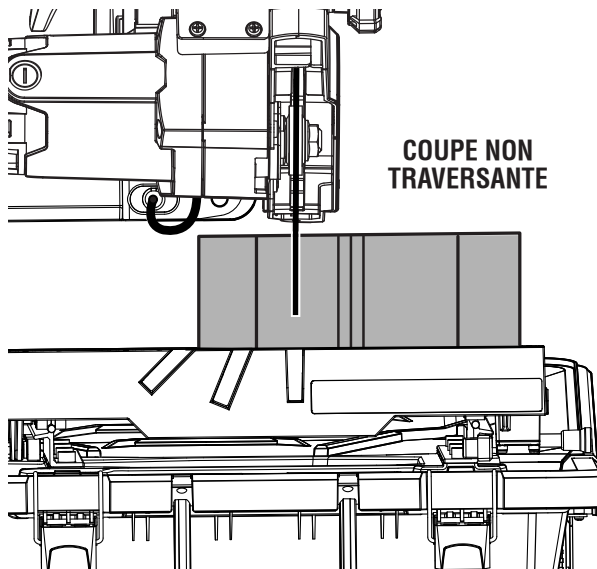


Fig. 29

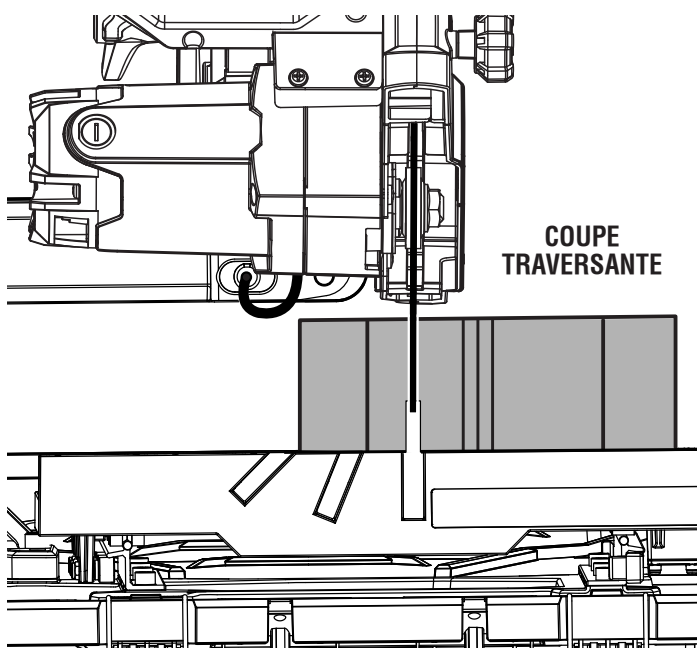


Fig. 30

UTILISATION

Faire des coupes de pierre pour les coins :

- Mesurer la pierre et la caractéristique de l'aménagement paysager afin de déterminer la qualité de matériau à enlever et déterminer l'angle requis pour le coin de mur.
- Faire une marque à partir du centre de la brique jusqu'au coin à l'aide d'un marqueur ou d'un crayon gras sur tout le pourtour de la pierre.
- Placer le matériau sur la table et fermement contre le guide d'onglet et guide.
- Avant d'allumer la scie, s'assurer que le matériaux ne touche pas la meule à carreaux.
- Mettre le commutateur marche/arrêt en position de marche.
- Laissez le muele de coupe atteindre son régime maximum et attendre le muele pour obtenir mouillé avant d'avancer le matériau pour alimenter la pièce vers le meule.
- Maintenir la matériaux fermement contre le guide d'onglet et guide, et engager le muele de coupe.
- Une fois la deuxième coupe effectuée, arrêt la scie. Attendre que la meule à carreaux s'arrête complètement avant de retirer le matériaux
- Dégager la table coulissante de la tête du moteur et retourner la pierre pour faire une coupe complète.
- Pour les blocs de muret, faire tomber le rebord d'appui et retourner la pierre et coucher la pierre à plat.

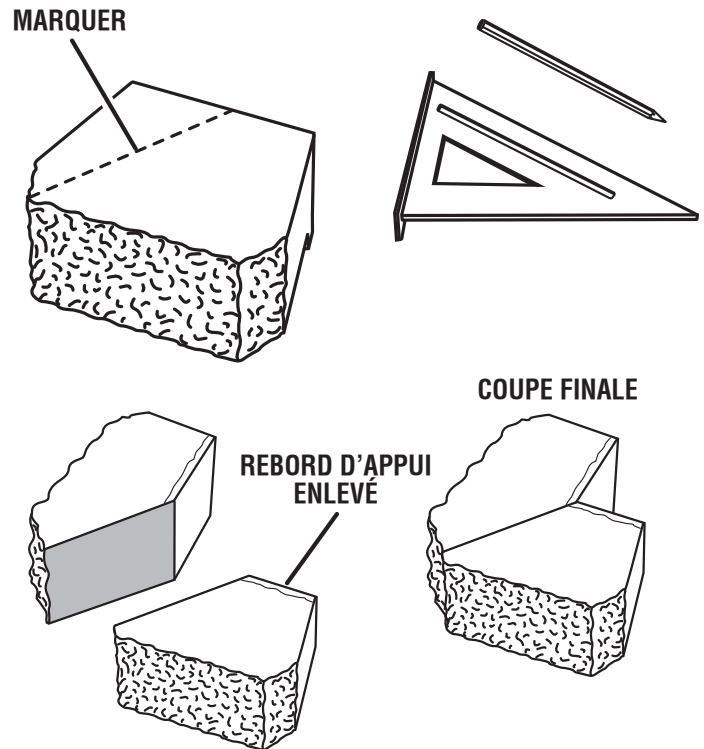


Fig.31

RÉGLAGES

⚠ AVERTISSEMENT :

Avant d'effectuer tout réglage, s'assurer que l'outil est débranché et que son commutateur est en position d'arrêt (OFF). Le non-respect de cet avertissement pourrait entraîner des blessures graves.

Cette scie à table a été réglée en usine pour effectuer des coupes très précises. Toutefois, certains composants peuvent avoir été désalignés pendant le transport. En outre, après un certain temps des réglages s'avéreront probablement nécessaires, du fait de l'usure et du transport.

Ne procéder à aucun réglage avant d'avoir effectué des vérifications avec une équerre et exécuté des coupes d'essai, pour s'assurer que des réglages sont nécessaires.

ÉQUERRAGE MUELE DE COUPE PAR RAPPORT À LA TABLE

Voir les figures 32 à 34.

Ne pas desserrer aucune vis pour cet ajustement avant de vérifier avec une équerre et faire des coupes d'essai pour être certain que les ajustements sont nécessaires. Une fois les vis desserrées, ces items doivent être ajustés de nouveau.

- Débrancher la scie.
- Dévisser les boulons du capuchon du rail gauche à l'aide de la clé hexagonale.
- Placer une équerre de charpentier contre le guide et la partie plate de la meule.
- Ajuster les réglages et serrer fermement les boulons.
- Déplacer la table coulissante sur toute l'étendue de sa course pour vérifier l'équerrage. Régler à nouveau, si nécessaire.
- Vérifier la distance des rails à l'avant et à l'arrière. La distance intérieure entre les rails doit être de 315,75 mm (12 7/16 po).
- Inspecter visuellement la meule pour s'assurer qu'elle est centrée dans la fente de 0°.
- Serrer fermement les boulons hexagonaux après avoir terminé tous les réglages du rail.

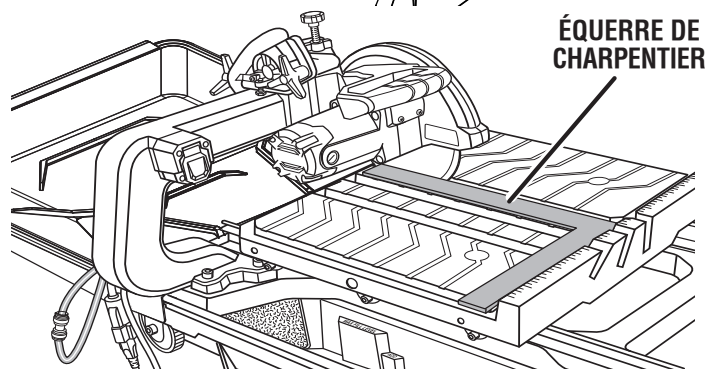
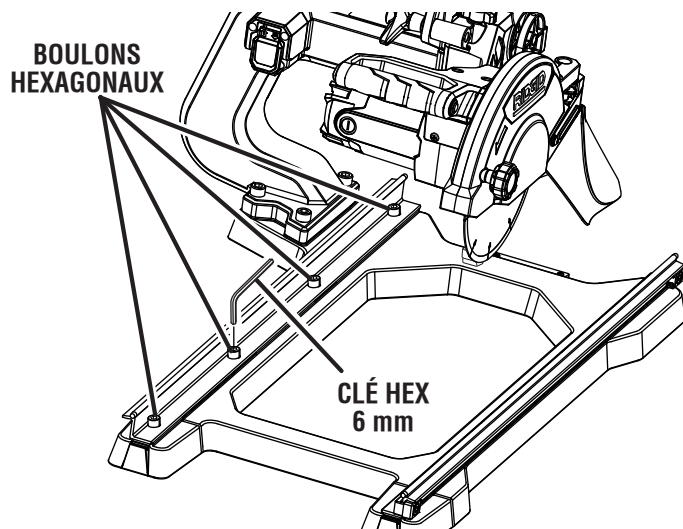


Fig. 32

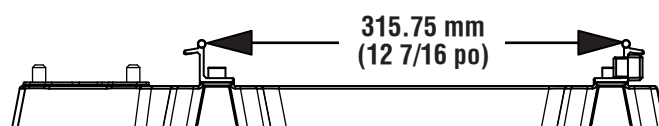


Fig. 33

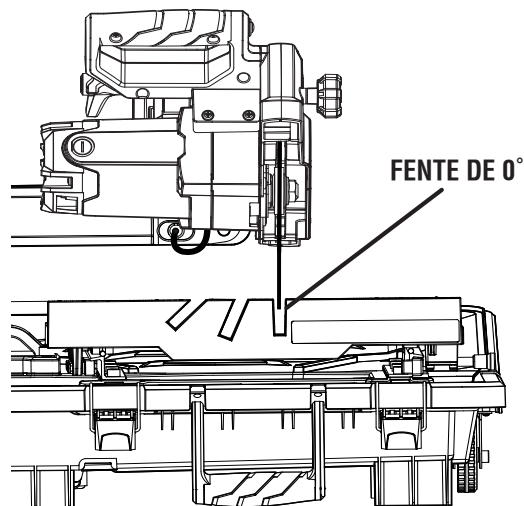


Fig. 34

RÉGLAGES

RÉGLAGES DE LA TABLE COULISSANTE

Voir les figures 35 à 38.

Des réglages seront nécessaires si le roulement de la table est difficile ou si cette dernière se déplace de gauche à droite. Les roues de la table coulissante doivent reposer légèrement sur les rails et rouler sans secousses sur toute la distance de déplacement.

Pour ajuster le rouleau à came central supérieur :

Les rouleaux supérieurs du côté gauche reposent sur le rail. Ces rouleaux comportent une rainure au centre de chaque rouleau. Les réglages suivants sont nécessaires si les rouleaux supérieurs ne sont pas parallèles et/ou à niveau :

- Inspecter visuellement tout le parcours de la table coulissante pour vérifier l'alignement du rouleau.
- Retirer la table coulissante des rails pour faire les réglages.

NOTE : Le réglage ne se fait que sur le rouleau à came central supérieur.

- Retirer le rouleau central inférieur à l'aide de la clé de 10 mm à ouverture fixe et de la clé hexagonale de 6 mm pour atteindre et dévisser la vis de réglage du rouleau.
- Utiliser la clé hexagonale de 2,5 mm pour dévisser la vis de réglage.
- Utiliser une équerre de charpentier ou un autre objet à angle droit pour vérifier la hauteur de la roue. Placer l'équerre de charpentier dans la rainure des roues.
- Régler la hauteur en tournant manuellement le rouleau à came central supérieur.
- Utiliser le bord droit d'un objet pour vérifier et assurer le parallélisme des rouleaux à came.

VÉRIFIER L'ALIGNEMENT

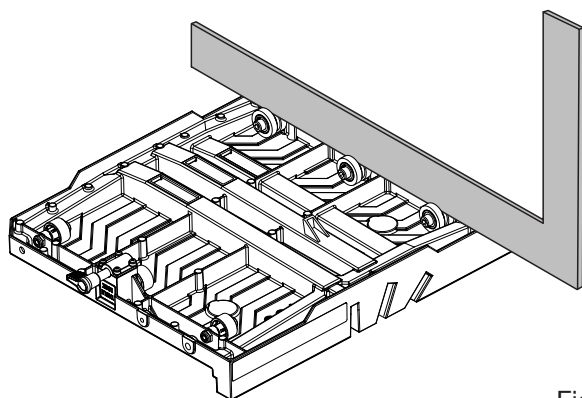


Fig. 35

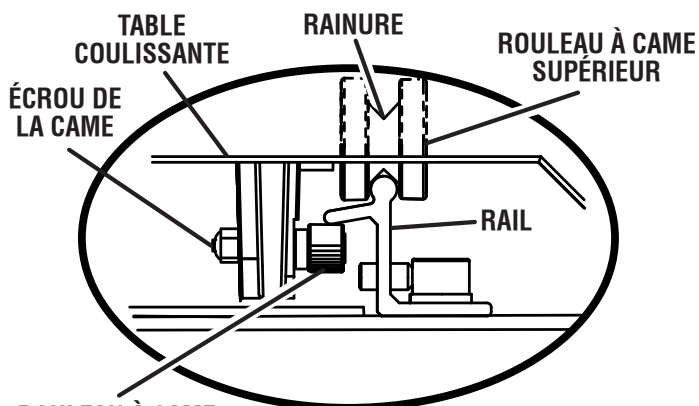
- Visser la vis de réglage afin de conserver les réglages.
- Installer la table coulissante et vérifier si les rouleaux touchent le rail et sont parallèles.

NOTE : Vérifier le bon roulement des rouleaux

- Installer le rouleau à came central inférieur dès que les réglages du rouleau à came supérieur sont terminés.

Réglage du rouleau à came inférieur:

- Utiliser la clé de 6 mm pour immobiliser l'écrou de boulon de la came. Utiliser la clé hexagonale de 10 mm pour dévisser les boulons de la came.



ROULEAU À CAME INFÉRIEUR

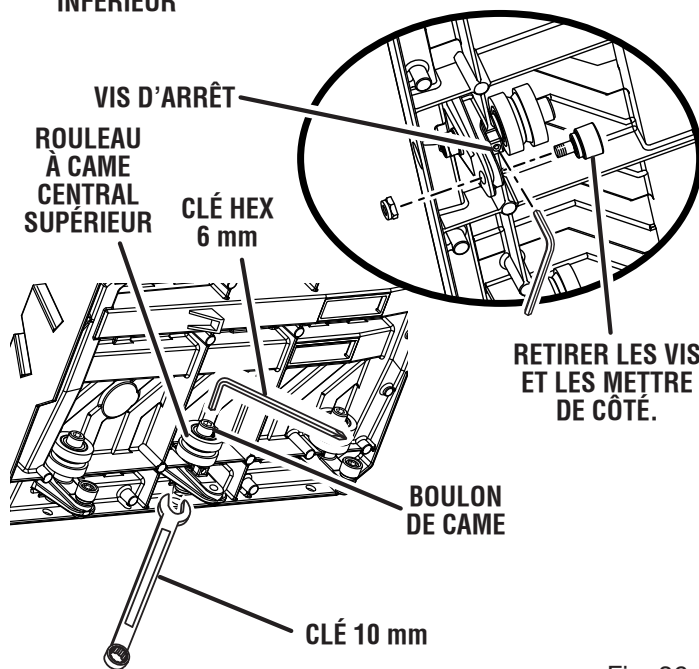


Fig. 36

RÉGLAGES

- Régler la hauteur en tournant le rouleau à came.
- Une fois que les rouleaux touchent le rail, serrer solidement l'écrou du boulon de la came. Répéter cette opération pour chaque rouleau, au besoin.

NOTE : Vérifier le bon roulement des rouleaux après chaque réglage.

Pour régler le côté droit des rouleaux à came :

Seulement le côté droit des rouleaux avant et arrière est réglable.

- Utiliser la clé de 6 mm pour immobiliser l'écrou de boulon de la came. Utiliser la clé hexagonale de 10 mm pour dévisser les boulons de la came.
- Régler la hauteur en tournant le rouleau à came.
- Une fois que les rouleaux touchent le rail, serrer solidement l'écrou du boulon de la came. Répéter cette opération pour chaque rouleau, au besoin.

NOTE : Vérifier le bon roulement des rouleaux après chaque réglage.

RÉGLAGES DE LA BUTÉE DE PROFONDEUR

Voir la figure 39.

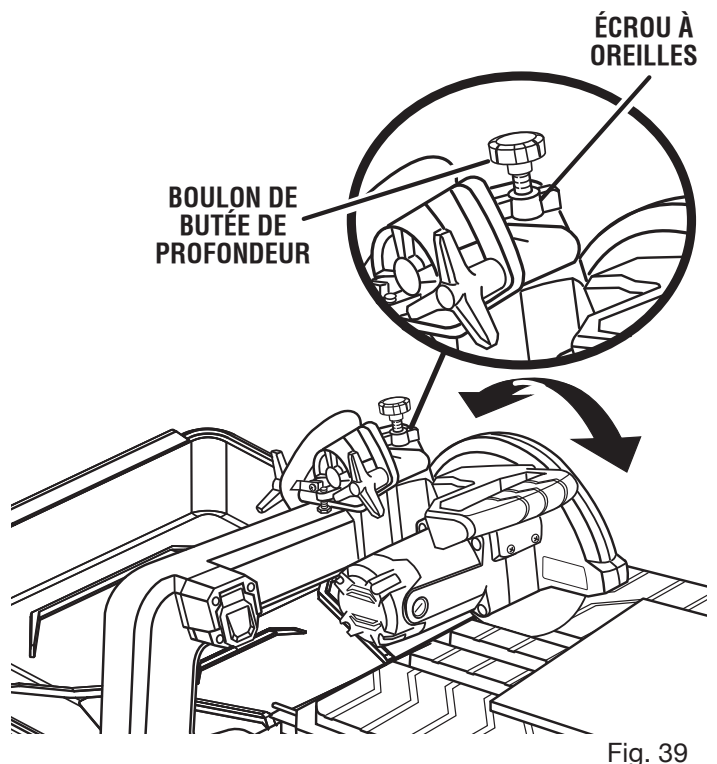
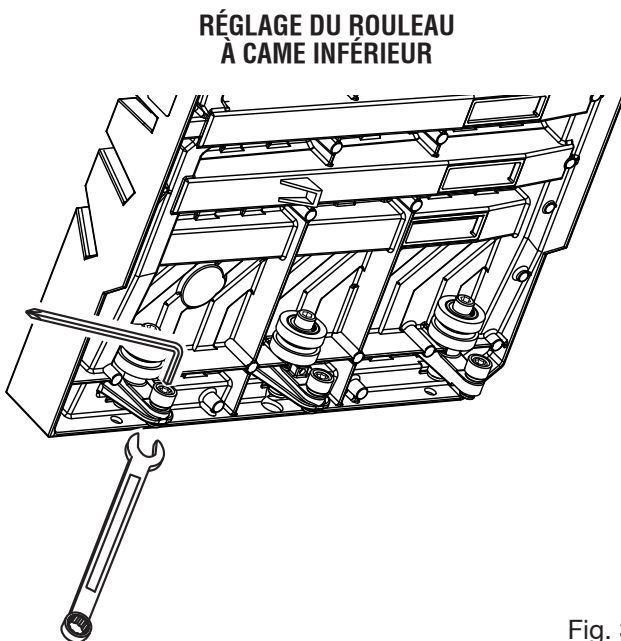
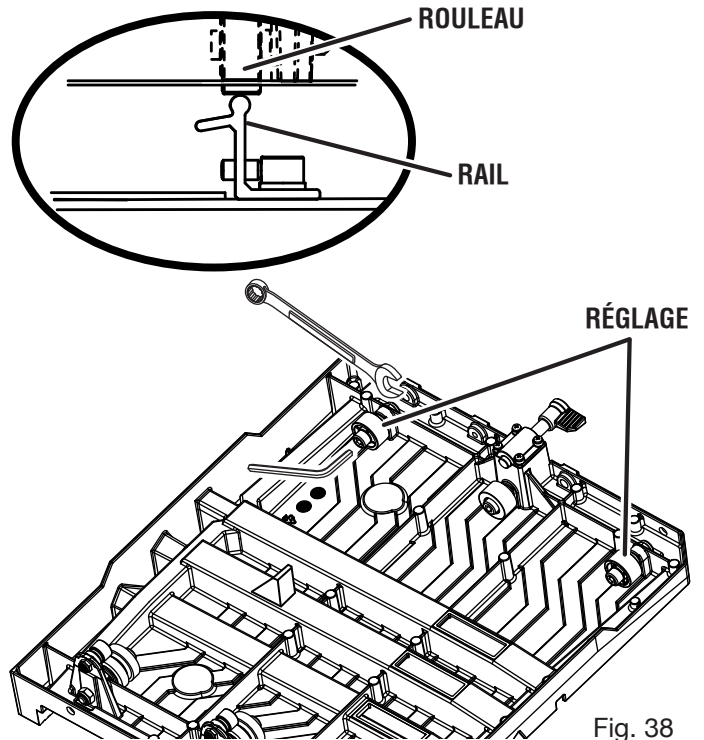
La butée de profondeur limite la course de la muele vers le bas. Elle permet à la muele de descendre suffisamment au-dessous de la table pour assurer la coupe de toute l'épaisseur des pièces. La butée de profondeur est réglée en usine de manière à permettre de bénéficier de la pleine capacité de coupe de la muele fournie avec la scie. Effectuer les réglages éventuellement nécessaires.

- Débrancher la scie.
- Pour ajuster la butée de profondeur, desserrer sur le écrou à oreilles la butée de profondeur.

- Pour ajuster la vis de réglage de la butée de profondeur. Régler la roue à la hauteur de coupe correcte (la roue juste au dessous de la surface de table). Abaisser la muele de coupe dans la table dans vérifier le dégagement de muele.

- Effectuer les réglages éventuellement nécessaires.

- Serrer l'écrou à oreilles.



RÉGLAGES

RÉGLAGES DE BUTÉE POSITIVE

Voir la figure 40.

NOTE : Ces réglages ont été effectués en usine et n'ont normalement pas besoin d'être refaits.

- Débrancher la scie.

Si la meule n'est pas parfaitement verticale (0°) :

- Desserrer le bouton de verrouillage de biseau.
- Soulever la tête du moteur.
- Placer une équerre combinée à côté de la meule.
- Utilisation clé hexagonale, tourner la vis de serrage de 0° jusqu'à ce que la meule soit perpendiculaire à la table et que la vis de serrage repose sur le logement de la scie.
- Serrer fermement le bouton de verrouillage de biseau.

Si la meule n'est pas parfaitement à 45° :

- Régler l'angle du biseau à 45°.
- Placer une équerre combinée contre la roue et régler l'angle de la tête du moteur à 45°.
- Utilisation clé, tourner la boulon hex à 45° jusqu'à ce que la boulon hex repose sur le logement de la scie.

ALIGNEMENT DU TRAIT LASER

Voir la figure 41.

⚠ DANGER :

Rayonnement laser. Éviter tout contact oculaire direct avec la source du rayon.

⚠ AVERTISSEMENT :

L'usage de contrôles, de réglages ou de procédures ne figurant pas dans ce manuel peut entraîner l'exposition à des rayonnements dangereux.

- Utiliser un dispositif de serrage ou une bride de serrage en C pour sécuriser un carreau mis au rebut.
- Tracer une ligne sur le carreau.
- Brancher la scie dans la source d'alimentation et faire une coupe légère marquer le carreau.
- Relâcher la gâchette de l'interrupteur et attendre l'arrêt complet de la meule avant de la soulever.
- Rouler et éloigner la table coulissante de la meule. Abaisser et verrouiller la tête du moteur.
- Allumer le laser.
- Pour régler le faisceau du laser, ouvrir le protège-meule, dévisser la vis à tête cruciforme, régler le module du laser pour répondre au besoin puis visser fermement la vis.
- Une fois le faisceau laser aligné, fermer et verrouiller le protège-meule.

NOTE : Toujours, effectuer des coupes d'essais sur des matériaux mis au rebut avant de procéder à la coupe de la pièce à travailler.

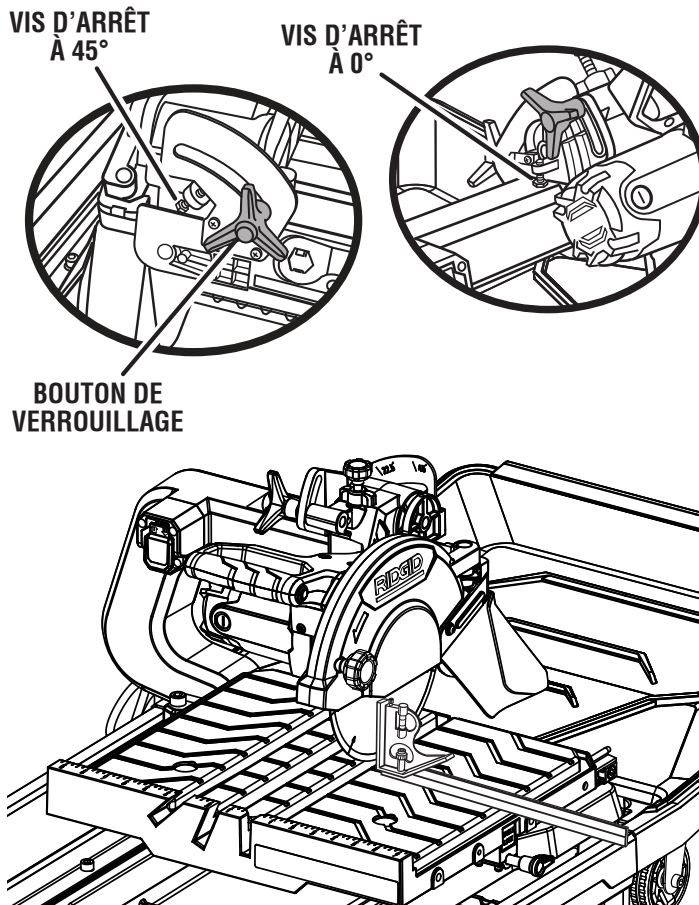


Fig. 40

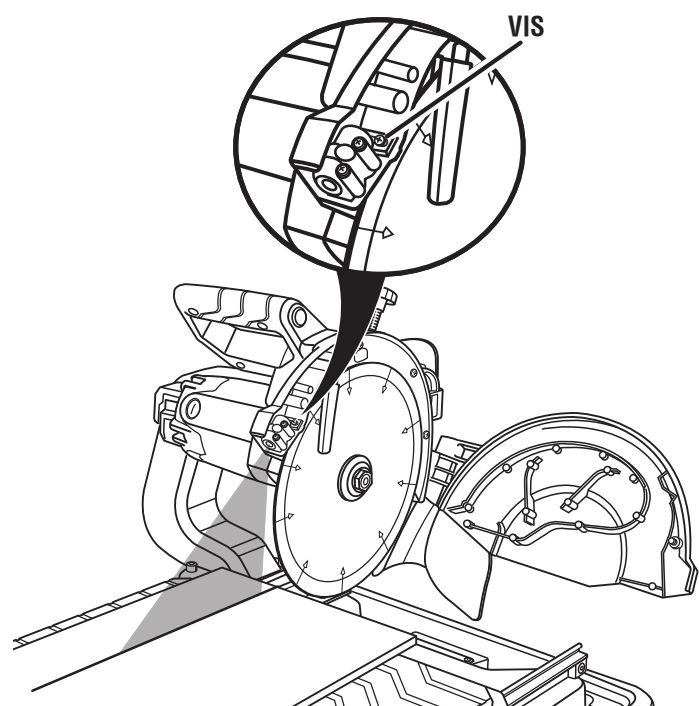


Fig. 41

ENTRETIEN

⚠ AVERTISSEMENT :

Utiliser exclusivement des pièces RIDGID identiques à celles d'origine pour les réparations. L'usage de toute autre pièce pourrait créer une situation dangereuse ou endommager l'outil.

⚠ AVERTISSEMENT :

Toujours porter une protection oculaire certifiée conforme à la norme ANSI Z87.1 lors de l'utilisation de produit. Si une opération dégage de la poussière, porter également un masque anti-poussière.

ENTRETIEN GÉNÉRAL

Éviter d'utiliser des solvants pour le nettoyage des pièces en plastique. La plupart des matières plastiques peuvent être endommagées par divers types de solvants du commerce. Utiliser un chiffon propre pour éliminer la saleté, la poussière, l'huile, la graisse, etc.

⚠ AVERTISSEMENT :

Ne jamais laisse de liquides tels que le fluide de freins, l'essence, les produits à base de pétrole, les huiles pénétrantes, etc., entrer en contact avec les pièces en plastique. Les produits chimiques peuvent endommager, affaiblir ou détruire le plastique, ce qui peut entraîner des blessures graves.

LUBRIFICATION

Tous les roulements de cet outil sont garnis d'une quantité de graisse de haute qualité, suffisante pour la durée de vie de l'outil, dans des conditions d'utilisation normales. Après l'utilisation prolongée, nettoyer les rails si la table glisse pas facilement.

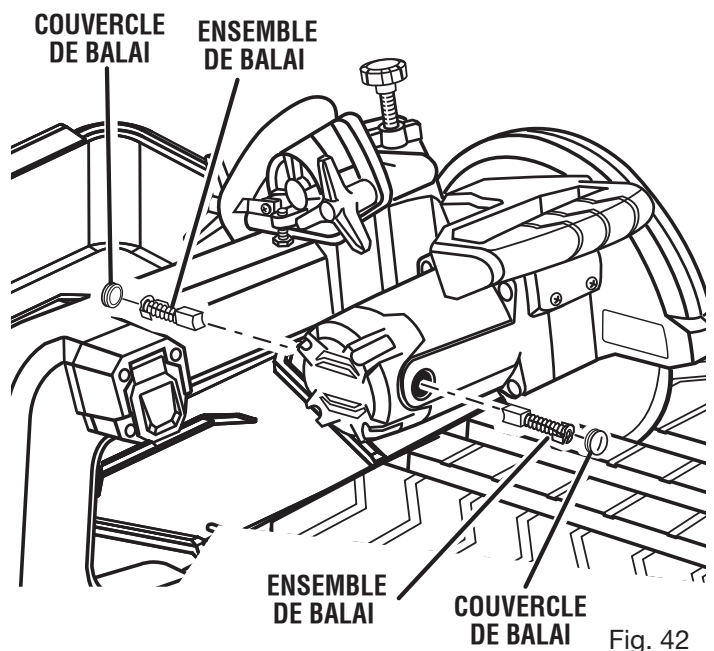
REPLACEMENT DES BALAIS

Voir la figure 42.

Le moteur de la scie est équipé de balais accessibles de l'extérieur, dont l'usure doit être vérifiée périodiquement.

Lorsque le remplacement des balais s'avère nécessaire, procéder comme suit :

- Débrancher la scie.
- Retirer le couvercle des balais à l'aide d'un tournevis. Les balais sont montés sur ressort et sont éjectés lorsque le couvercle est retiré.
- Retirer les balais.
- Regarder s'ils sont usés. Remplacer les deux balais lorsque la longueur du carbone est de 6 mm (1/4 po) ou moins. Ne pas remplacer un balai sans remplacer l'autre.
- Installer les nouveaux balais. S'assurer que la courbure des balais correspond à celle du moteur et que les balais tournent librement dans leurs tubes.
- S'assurer que le couvercle est correctement aligné (droit) et l'assujettir.
- Serrer le couvercle solidement. Ne pas trop serrer.



ENTRETIEN

NETTOYER DE RAILS

Pendant l'usage, la rails deviendra empêcher sale les rouleaus de table du glissement facilement. C'est important de nettoyer la rails souvent.

NETTOYER DE LA SCIE

- Débrancher la scie et le pompe d'eau.
- Vider l'eau sale du plateau à l'eau et la remplacer avec de l'eau propre.
- Faites couler de l'eau propre à travers la scie rinçage les débris à l'aide du tube et autour de la roue de coupe.
- Retirer la table coulissante.
- Rincer attentivement la machine.
- Une fois que la table a été supprimée, rincer le bac à eau et rails et bâti d'eau.
- Replacer le bouchon de vidange. Serrer solidement.
- Vider l'eau sale du plateau à l'eau et sécher l'outil hors tension.

NETTOYAGE DE LA POMPE

- Débrancher la pompe avant de la manipuler ou de la nettoyer.
- Retirer le couvercle avant.
- En utilisant une petite brosse ou de l'eau, retirer tous les débris ou les déchets coincés à l'intérieur de la pompe.
NOTE : Pour assurer une efficacité accrue et prolonger la durée de vie de la pompe, vérifier la crépine avant d'utiliser la pompe et s'assurer que celle-ci est propre.
- Rincer le filtre à l'eau fraîche.

Si la pompe ne fonctionne pas, effectuer les étapes suivantes :

- S'assurer que la crépine est exempte de toute obstruction.
- S'assurer que le tuyau d'arrosage n'est pas obstrué ou noué.
- S'assurer que l'unité est branchée dans une prise électrique fonctionnelle et la pompe est connectée au bouchon électrique.
- S'assurer qu'il ya suffisamment d'eau dans le bac à eau et la pompe à eau est réglé sur "Max".

NOTE : Ne pas manipuler la pompe lorsque celle-ci est branchée à une source d'alimentation.

GARANTIE

OUTILS ÉLECTRIQUES À MAIN ET D'ÉTABLI RIDGID® GARANTIE LIMITÉE DE SERVICE DE 3 ANS

Une preuve d'achat doit être présentée pour toute demande de réparation sous garantie.

Cette garantie se limite aux outils électriques à main et d'établi RIDGID® achetés à partir du 1/2/04. Ce produit est fabriqué par One World Technologies, Inc., sous licence de marque de RIDGID®, Inc. Toutes les communications de garantie doivent être adressées à One World Technologies, Inc., aux soins de : Service technique des outils motorisés à main et d'établi RIDGID®, au 1-866-539-1710 (appel gratuit).

GARANTIE DE 90 JOURS EN CAS DE NON SATISFACTION

Si le client n'est pas satisfait pour quelque raison que ce soit au cours des 90 jours suivant la date d'achat de cet outil à main ou d'établi RIDGID®, il pourra retourner le produit au point de vente pour échange ou remboursement complet. Pour obtenir un outil en échange, l'équipement original devra être retourné, dans son emballage d'origine, accompagné d'une preuve d'achat. L'outil fourni en échange sera couvert par la garantie limitée pour le restant de la période de validité de 3 ANS.

CE QUI EST COUVERT PAR LA GARANTIE LIMITÉE DE TROIS ANS

Cette garantie sur les outils motorisés à main et d'établi RIDGID® couvre tous les vices de matériaux et de fabrication, ainsi que les articles de consommation courants, tels que balais, mandrins, moteurs, commandes, cordons, engrenages et même les piles d'outils sans fil de cet outil RIDGID®, pour une période de trois ans, à compter de la date d'achat. Les garanties d'autres produits RIDGID® peuvent être différentes.

RÉPARATIONS SOUS GARANTIE

Pour toute réparation sous garantie, cet outil RIDGID® devra être retourné, en port payé, à un centre de réparations agréé RIDGID® pour outils motorisés à main et d'établi. L'adresse du centre de réparation agréé le plus proche peut être obtenue en appelant au 1-866-539-1710 (appel gratuit), ou en accédant au site Internet RIDGID® : www.ridgid.com. Le centre de réparation agréé corrigera tout défaut de fabrication et réparera ou remplacera (à notre discrétion) gratuitement toute pièce défectueuse.

CE QUI N'EST PAS COUVERT

La garantie ne couvre que l'acheteur original et n'est pas transférable. Cette garantie ne couvre que les problèmes de fonctionnement, défaillances ou autres défauts résultant d'un usage inadéquat ou abusif, de la négligence, de la modification, de l'altération ou de réparations effectuées par un centre de service autre qu'un centre de réparation agréé d'outils motorisés à main et d'établi RIDGID®. Les accessoires jetables fournis avec cet outil, tels que, notamment, les lames, embouts et abrasifs, ne sont pas couverts.

RIDGID®, INC., ET ONE WORLD TECHNOLOGIES, INC. NE FONT AUCUNE AUTRE GARANTIE, REPRÉSENTATION OU PROMESSE CONCERNANT LA QUALITÉ ET LES PERFORMANCES DE SES OUTILS MOTORISÉS, AUTRES QUE CELLES EXPRESSÉMENT INDIQUÉES DANS LE PRÉSENT DOCUMENT.

AUTRES LIMITATIONS

Sous réserve des lois en vigueur, toutes les garanties implicites sont exclues, y compris les GARANTIES DE VALEUR MARCHANDE ou D'ADÉQUATION À UN USAGE PARTICULIER. Toutes les garanties implicites, y compris les garanties de valeur marchande ou d'adéquation à un usage particulier ne pouvant pas être exclues en raison des lois en vigueur, sont limitées à une durée de trois ans, à compter de la date d'achat. One World Technologies, Inc. et RIDGID®, Inc. déclinent toute responsabilité pour les dommages directs ou indirects. Certains états et provinces ne permettant pas de limitation sur la durée des garanties implicites, et/ou l'exclusion ou la limitation des dommages directs ou indirects, les restrictions ci-dessus peuvent ne pas être applicables. Cette garantie donne au consommateur des droits spécifiques, et celui-ci peut bénéficier d'autres droits, qui varient selon les états ou provinces.

One World Technologies, Inc.

P.O. Box 1427

Anderson, SC 29622

REGLAS DE SEGURIDAD GENERALES

ADVERTENCIA:

Lea y comprenda todas las instrucciones. El incumplimiento de las instrucciones señaladas abajo puede causar descargas eléctricas, incendios y lesiones serias.

LEA TODAS LAS INSTRUCCIONES

- **FAMILIARÍCESE CON SU HERRAMIENTA ELÉCTRICA.** Lea cuidadosamente el manual del operador. Aprenda los usos, limitaciones y posibles peligros relacionados con esta herramienta.
- **PROTÉJASE CONTRA DESCARGAS ELÉCTRICAS EVITANDO TOCAR CON EL CUERPO SUPERFICIES CONECTADAS A TIERRA.** Por ejemplo: tubos, radiadores, estufas y cajas de refrigeradores.
- **MANTENGA LAS PROTECCIONES EN SU LUGAR** y en buenas condiciones de trabajo.
- **RETIRE TODA LLAVE Y HERRAMIENTA DE AJUSTE.** Adquiera el hábito de verificar que se haya retirado de la herramienta eléctrica toda llave y herramienta de ajuste antes de encenderla.
- **MANTENGA LIMPIA EL ÁREA DE TRABAJO.** Una mesa o área de trabajo mal despejada es causa común de accidentes. **NO** deje herramientas o piezas de lasas en la herramienta mientras esté funcionando.
- **NO UTILICE LA HERRAMIENTA EN ENTORNOS PELIGROSOS.** No utilice las herramientas eléctricas en lugares húmedos o mojados ni las exponga a la lluvia. Mantenga bien iluminada el área de trabajo.
- **MANTENGA ALEJADOS A LOS NIÑOS Y DEMÁS CIRCUNSTANTES.** Todos los presentes deben llevar puestos anteojos de seguridad y permanecer a una distancia segura del área de trabajo. No permita que ninguno de los presentes toque la herramienta eléctrica o el cordón de extensión mientras esté funcionando la unidad.
- **HAGA SU TALLER A PRUEBA DE NIÑOS** con candados, interruptores maestros y retirando las llaves de arranque.
- **NO FUERCE LA HERRAMIENTA.** Efectúa el trabajo mejor y de manera más segura, si se utiliza a la velocidad de avance para la que está diseñada.
- **USE LA HERRAMIENTA ADECUADA PARA LA TAREA.** No fuerce la herramienta ni ningún accesorio a efectuar tareas para las que no están hechos.
- **USE UN CORDÓN DE EXTENSIÓN ADECUADO.** Asegúrese de que esté en buen estado el cordón de extensión. Al utilizar un cordón de extensión sólo utilice uno del calibre suficiente para soportar la corriente que consume el producto. Un cordón de un grosor insuficiente causa una caída en el voltaje de línea, y produce recalentamiento y pérdida de potencia. Se recomienda que los conductores sean de calibre **14** (A.W.G.) por lo menos, para un cordón de extensión de 7,6 metros (25 pies) de largo o menos. Si tiene dudas, utilice un cordón del calibre más grueso siguiente. Cuanto menor es el número de calibre, mayor es el grosor del cordón.
- **VÍSTASE ADECUADAMENTE.** Evite ponerse ropas holgadas, corbatas ni joyas que puedan engancharse y tirar de usted hacia las piezas en movimiento. Se recomiendan guantes y calzado antiderrapantes (botes de goma) al trabajar al aire libre. Si tiene el pelo largo cúbralo de alguna manera para contenerlo.
- **SIEMPRE PÓNGASE PROTECCIÓN OCULAR CON PROTECCIÓN LATERAL CON LA MARCA DE CUMPLIMIENTO**

DE LA NORMA ANSI Z87.1 JUNTO CON PROTECCIÓN PARA LOS OÍDOS.

- **ASEGURE LA PIEZA DE TRABAJO.** Utilice prensas de mano o de banco para sujetar la pieza de trabajo cuando resulte práctico hacerlo; es más seguro que utilizar la mano y quedan ambas manos libres para manejar la herramienta.
- **NO ESTIRE EL CUERPO PARA ALCANZAR MAYOR DISTANCIA.** Mantenga una postura firme y buen equilibrio en todo momento.
- **DÉMANTENIMIENTO CON CUIDADO A LAS HERRAMIENTAS.** Mantenga afiladas y limpias las herramientas para obtener de las mismas un desempeño mejor y más seguro. Siga las instrucciones correspondientes al cambio y lubricación de accesorios.
- **DESCONECTE LAS HERRAMIENTAS.** Todas las herramientas deben desconectarse del suministro de corriente cuando no estén usándose, o al cambiarles aditamentos, hojas de corte, brocas, fresas, etc.
- **EVITE UN ARRANQUE ACCIDENTAL DE LA UNIDAD.** Asegúrese de que el interruptor esté en la posición de apagado antes de conectar la clavija de cualquier herramienta.
- **USE ACCESORIOS RECOMENDADOS.** Consulte este manual del operador, donde aparecen los accesorios recomendados. El empleo de accesorios inadecuados puede causar lesiones.
- **NO SE PARE NUNCA EN LA HERRAMIENTA.** Pueden producirse lesiones graves si la herramienta eléctrica se vuelca o si se toca accidentalmente la herramienta de corte.
- **INSPECCIONE LAS PIEZAS DAÑADAS.** Antes de seguir utilizando la herramienta, es necesario inspeccionar cuidadosamente toda protección o pieza dañada para determinar si funcionará correctamente y desempeñará la función a la que está destinada. Verifique la alineación de las partes móviles, que no haya atoramiento de partes móviles, que no haya piezas rotas, el montaje de las piezas y cualquier otra condición que pudiera afectar su funcionamiento. Toda protección o pieza que esté dañada debe repararse apropiadamente o reemplazarse en un centro de servicio autorizado.
- **AVANCE LA PIEZA DE TRABAJO EN LA DIRECCIÓN CORRECTA.** Solamente empuje la pieza de trabajo hacia la hoja, fresa o tambor de lijado, contra el sentido de rotación de éstos.
- **NUNCA DEJE FUNCIONANDO DESATENDIDA LA HERRAMIENTA. APAGUE LA CORRIENTE.** No abandone la herramienta hasta verla completamente detenida.
- **PROTÉJASE LOS PULMONES.** Use una careta o mascarilla contra el polvo si la operación de corte genera mucho polvo.
- **PROTÉJASE EL OÍDO.** Durante períodos prolongados de utilización de la unidad póngase protección para los oídos.
- **NO ABUSE DEL CORDÓN.** Nunca transporte la herramienta por el cordón ni tire del cordón para desenchufarla. Mantenga el cordón alejado del calor, del aceite y de los bordes afilados.
- **SIEMPRE UTILICE UN CORDÓN ELÉCTRICO DE EXTENSIÓN QUE LLEVE LAS MARCAS "W-A" O "W".** Estos cordones eléctricos están aprobados para el uso en exteriores y reducen el riesgo de descargas eléctricas.
- **SIEMPRE MANTENGA EL PROTECCIÓN PARA LA MUELA EN SU LUGAR** y en buenas condiciones de funcionamiento.
- **MANTENGA LAS MANOS ALEJADAS DEL ÁREA DE CORTE.** No trate de alcanzar bajo la pieza de trabajo o en la trayectoria de corte de la hoja con las manos y dedos por ninguna razón. Siempre apague la corriente.
- **LA MUELA DE CORTE CONTINÚA GIRANDO POR INERCIA DESPUÉS DE APAGARSE LA UNIDAD.**

REGLAS DE SEGURIDAD GENERALES




- **NUNCA UTILICE LA UNIDAD EN UNA ATMÓSFERA EXPLOSIVA.** El chispeo normal del motor podría encender los gases presentes.
- **INSPECCIONE PERIÓDICAMENTE LOS CORDONES ELÉCTRICOS DE LAS HERRAMIENTAS.** Si están dañados, llévelos a un establecimiento de servicio autorizado para que los revise un técnico de servicio calificado. El conductor con aislamiento que tiene una superficie exterior verde con o sin tiras amarillas es el conductor de conexión a tierra del equipo. Si es necesaria la reparación o reemplazo del cordón eléctrico o de la clavija, no conecte el conductor de conexión a tierra a una terminal portadora de corriente. Repare o reemplace de inmediato todo cordón dañado o gastado. Siempre esté consciente de la ubicación del cordón y manténgalo bien alejado de la meula en movimiento de giro.
- **INSPECCIONE PERIÓDICAMENTE LOS CORDONES DE EXTENSIÓN** y reemplácelos si están dañados.
- **CONECTE A TIERRA TODA HERRAMIENTA ELÉCTRICA.** Si la herramienta está provista de una clavija de tres puntas, debe conectarse en un enchufe eléctrico de tres polos.
- **CONECTE LA HERRAMIENTA SOLAMENTE A UNA TOMA DE CORRIENTE PROTEGIDA POR GFCI (INTERRUPTOR DE CIRCUITO CON PÉRDIDA A TIERRA).**
- **CONSULTE A UN ELECTRICISTA CALIFICADO** o técnico de servicio si no ha comprendido completamente las instrucciones de conexión a tierra o si no está seguro de que la herramienta está bien conectada a tierra.
- **USE SOLAMENTE LOS DISPOSITIVOS ELÉCTRICOS CORRECTOS:** cables de extensión de 3 conductores, con clavijas de tres puntas y contactos de tres polos que acepten la clavija del cable de la herramienta.
- **NO MODIFIQUE** la clavija suministrada. Si no entra en la toma de corriente, llame a un electricista calificado para que instale una toma de corriente adecuada.
- **MANTENGA LA HERRAMIENTA SECA, LIMPIA Y LIBRE DE ACEITE Y GRASA.** Siempre utilice un paño limpio para la limpieza de la unidad. Nunca utilice fluidos para frenos, gasolina, productos a base de petróleo ni solventes para limpiar la herramienta.
- **PERMANEZCA ALERTA Y EN CONTROL.** Preste atención a lo que esté haciendo y aplique el sentido común. No utilice la herramienta cuando esté cansado. No se apresure.
- **NO UTILICE LA HERRAMIENTA SI EL INTERRUPTOR NO ENCIENDE O NO APAGA.** Lleve todo interruptor defectuoso a un centro de servicio autorizado para que lo reparen.
- **SÓLO UTILICE MUELAS DE CORTE CORRECTAS.** No use muelas con orificio de un tamaño incorrecto. Nunca utilice arandelas ni pernos de la muela de corte dañados o inadecuados. La sierra tiene capacidad para rueda hasta de un diámetro de 203 mm (8 pulg.).
- **ANTES DE EFECTUAR UN CORTE VERIFIQUE QUE ESTÉN BIEN ASEGURADOS TODOS LOS DISPOSITIVOS DE AJUSTE.**
- **ASEGÚRESE DE QUE NO HAYA CLAVOS EN LA TRAYECTORIA DE LA MUELA PARA CORTE.** Inspeccione la madera y elimine todos los clavos presentes en la misma antes de empezar a cortar.
- **NUNCA ARRANQUE LA HERRAMIENTA CUANDO LA PIEZA GIRATORIA CORRESPONDIENTE ESTÉ TOCANDO LA PIEZA DE TRABAJO.**
- **NO UTILICE NINGUNA HERRAMIENTA SI SE ENCUENTRA BAJO LOS EFECTOS DE DROGAS, ALCOHOL O MEDICAMENTOS.**
- **AL DAR SERVICIO** a la unidad, sólo utilice piezas de repuesto idénticas. El empleo de piezas diferentes puede causar un peligro o dañar el producto.
- **SOLAMENTE UTILICE ACCESORIOS** señalados en este manual o en los apéndices. El uso de accesorios no señalados en este manual puede presentar riesgos de lesiones corporales. Con los accesorios se incluyen instrucciones para el uso seguro de los mismos.
- **REVISE DOS VECES TODA CONFIGURACIÓN DE LA HERRAMIENTA.** Asegúrese de que la hoja esté apretada y de que no toque la sierra o la pieza de trabajo antes de conectar la unidad al suministro de corriente.

REGLAS DE SEGURIDAD ESPECÍFICAS







- **ASEGURE LA PIEZA DE TRABAJO** firmemente contra guía de ingletes o la guía.
- **NUNCA** se pare ni tenga ninguna parte del cuerpo en línea con la trayectoria de la hoja de la sierra.
- **NUNCA** intente liberar la muela de la sierra cuando esté trabada, sin antes **APAGAR** y desconectar la sierra de la toma de corriente.
- **SI ESTÁ DAÑADO EL CORDÓN DE CORRIENTE,** debe ser reemplazado únicamente por el fabricante o en un centro de servicio autorizado para evitar riesgos.
- **EVITE OPERACIONES Y POSICIONES EXTRAÑAS DE LAS MANOS** en las cuales un deslizamiento rápido puede hacer que la mano toque la herramienta de corte.
- **ASEGÚRESE DE QUE TODA EL ÁREA DE TRABAJO ESTÉ BIEN ILUMINADA** para ver la pieza de trabajo y que ninguna obstrucción impida una operación segura **ANTES** de efectuar cualquier trabajo con la sierra.
- **SIEMPRE APAGUE LA SIERRA** antes de desconectarla, para evitar un arranque accidental de la misma al volver a conectarla al suministro de corriente.
- **ESTA HERRAMIENTA** tendrá los siguientes avisos:
 - a) Póngase protección ocular, oídos y respirar.
 - b) Utilice protector para salpicaduras para cada operación para que puede ser utilizado.
 - c) Siempre desconecte el suministro de corriente antes de realizar su mantenimiento, al cambiar las muelas o al limpiar la unidad.
 - d) Utilice la herramienta con orilla lisa muela para cortar orificios y muescas.
 - e) Reemplace dañado muela para cortar antes de operación.
 - f) No llene el recipiente de agua por encima de la línea de llenado.
- **GUARDE ESTAS INSTRUCCIONES.** Consúltelas con frecuencia y empléelas para instruir a otros usuarios. Si presta a alguien esta herramienta, facilítele también las instrucciones.

SÍMBOLOS

Las siguientes palabras de señalización y sus significados tienen el objeto de explicar los niveles de riesgo relacionados con este producto.

SÍMBOLO	SEÑAL	SIGNIFICADO
	PELIGRO:	Indica una situación peligrosa, la cual, si no se evita, causará la muerte o lesiones serias.
	ADVERTENCIA:	Indica una situación peligrosa, la cual, si no se evita, podría causar la muerte o lesiones serias.
	PRECAUCIÓN:	Indica una situación peligrosa, la cual, si no se evita, podría causar lesiones menores o leves.
	AVISO:	(Sin el símbolo de alerta de seguridad) Indica la información que se considera importante, pero no relacionada con lesiones potenciales (por ej. en relación a daños a la propiedad).

Es posible que se empleen en esta herramienta algunos de los siguientes símbolos. Le suplicamos estudiarlos y aprender su significado. Una correcta interpretación de estos símbolos le permitirá utilizar mejor y de manera más segura la herramienta.

SÍMBOLO	NOMBRE	DENOMINACIÓN / EXPLICACIÓN
	Alerta de seguridad	Indica un peligro posible de lesiones personales.
	Lea el manual del operador	Para reducir el riesgo de lesiones, el usuario debe leer y comprender el manual del operador antes de usar este producto.
	Protección para los ojos, oídos y respirar	Siempre utilice protección ocular con protección lateral con la marca de cumplimiento de la norma ANSI Z87.1, junto con protección auditiva y protección respirar.
	Alerta de condiciones húmedas	No exponga la unidad a la lluvia ni la use en lugares húmedos.
	No acercar las manos	Si no mantiene las manos alejadas de la rueda de corte, se causará serias lesiones corporales.
	Electrocución	El incumplimiento de conectar correctamente a tierra puede resultar en electrocución.
V	Voltaje	Voltaje
A	Amperes	Corriente
Hz	Hertz	Frecuencia (ciclos por segundo)
min	Minutos	Tiempo
~	Corriente alterna	Tipo de corriente
n ₀	Velocidad en vacío	Velocidad de rotación, en vacío
.../min	Por minuto	Revoluciones, carreras, velocidad superficial, órbitas, etc., por minuto

ASPECTOS ELÉCTRICOS

CABLES DE EXTENSIÓN

Sólo utilice cables de extensión de 3 conductores con clavijas de tres puntas y contactos de tres polos que acepten la clavija del cable de la herramienta. Si la herramienta eléctrica debe situarse a una distancia importante de la toma de corriente, asegúrese de que el cable de extensión que utilice tenga el grosor suficiente para soportar el consumo de corriente de la herramienta. Un cable de extensión de un grosor insuficiente causará caída del voltaje de la línea, además de producir pérdida de potencia y recalentamiento del motor. Basese en la tabla que se presenta abajo para calcular el calibre mínimo requerido de los conductores del cable de extensión. Solamente deben utilizarse cordones con forro redondo registrados en Underwriter's Laboratories (UL).

**Amperaje (aparece en la placa de datos de la herramienta)

0-2,0 2,1-3,4 3,5-5,0 5,1-7,0 7,1-12,0 12,1-16,0

Longitud del cordón	Calibre conductores (AWG)					
	16	16	16	14	14	12
25'	16	16	16	16	14	14
50'	16	16	16	14	14	12
100'	16	16	14	12	10	—

**Se usa en los circuitos de calibre 12, de 20 amperes.

NOTA: AWG = American Wire Gauge

Al trabajar con la herramienta a la intemperie, utilice un cable de extensión fabricado para uso en exteriores. Tal característica está indicada con las letras "W-A" o "W" en el forro del cable.

Antes de utilizar un cable de extensión, inspecciónelo para ver si tiene conductores flojos o expuestos y aislamiento cortado o gastado.

Utilice solamente los cables de extensión destinados para uso en áreas exteriores. Puede identificarlos con la leyenda "Pueden usarse con dispositivos para exteriores: guardar en el interior cuando no se use." Utilice solamente los cables de extensión que tengan una clasificación eléctrica no menor a la clasificación del producto. No utilice el cable de extensión si está dañado, ni el cable de extensión y no lo desconecte de un tirón. Mantenga el cable alejado del calor y los bordes filosos. Siempre desconecte el cable de extensión del tomacorriente antes de desconectar el producto del cable de extensión.

ADVERTENCIA:

Mantenga el cable de extensión fuera del área de trabajo. Al trabajar con una herramienta eléctrica, coloque el cable de tal manera que no pueda enredarse en la madera, herramientas ni otros obstáculos. La falta de atención a esta advertencia puede redundar en lesiones graves.

ADVERTENCIA:

Inspeccione los cables de extensión cada vez antes de usarlos. Si están dañados, reemplácelos de inmediato. Nunca utilice la herramienta con un cable dañado, ya que si toca la parte dañada puede sufrir una descarga eléctrica, con las consecuentes lesiones graves.

CONEXIÓN ELÉCTRICA

Esta herramienta está impulsada por un motor eléctrico fabricado con precisión. Debe conectarse únicamente a una línea de voltaje de 120 V, de corriente alterna (corriente normal para uso doméstico), 60 Hz. No utilice esta herramienta con corriente continua (c.c.). Una caída considerable de voltaje causa pérdida de potencia y recalentamiento del motor. Si la sierra no funciona al conectarla en una toma de corriente, vuelva a revisar el suministro de corriente.

VELOCIDAD Y CABLEADO

La velocidad en vacío de esta herramienta es de 5 000 rpm aproximadamente. Esta velocidad no es constante y disminuye durante el corte o con un voltaje bajo. En cuanto al voltaje, el cableado dentro del taller es tan importante como la potencia nominal del motor. Una línea pensada sólo para iluminación no puede alimentar el motor de una herramienta eléctrica. El cable que tiene el calibre suficiente para una distancia corta, será demasiado delgado para una distancia mayor. Una línea que alimenta una herramienta eléctrica puede no ser suficiente para alimentar dos o tres herramientas.

INSTRUCCIONES DE CONEXIÓN A TIERRA

Vea la figura 1.

Este producto debe conectarse a tierra. En caso de un mal funcionamiento o desperfecto, la conexión a tierra brinda a la corriente eléctrica una trayectoria de mínima resistencia para disminuir el riesgo de una descarga eléctrica. Esta herramienta está equipada de un cordón eléctrico con un conductor y una clavija de conexión a tierra para equipo. La clavija debe conectarse en una toma de corriente igual que esté instalada y conectada a tierra correctamente, de conformidad con los códigos y reglamentos de la localidad.

No modifique la clavija suministrada. Si no entra en la toma de corriente, llame a un electricista calificado para que instale una toma de corriente adecuada.

ADVERTENCIA:

Si se conecta de forma incorrecta el conductor de conexión a tierra del equipo puede presentarse un riesgo de descarga eléctrica. Si es necesaria la reparación o reemplazo del cordón eléctrico o de la clavija, no conecte el conductor de conexión a tierra a una terminal portadora de corriente. El conductor con aislamiento que tiene una superficie exterior verde con o sin tiras amarillas es el conductor de conexión a tierra del equipo.

ASPECTOS ELÉCTRICOS

Consulte a un electricista calificado o técnico de servicio si no ha comprendido completamente las instrucciones de conexión a tierra o si no está seguro si la herramienta está bien conectada a tierra.

Repáre o reemplace de inmediato todo cordón dañado o gastado.

Este producto se debe usar con un circuito de 120 V nominales y tiene una clavija de conexión a tierra similar a la clavija que se muestra en la figura 1. Conecte el producto únicamente a una toma de corriente que tenga la misma configuración que la clavija. No use un adaptador con este producto.

Los circuitos o las tomas donde se conecta esta podadora de pasto deben estar protegidos con un interruptor de circuito accionado por falla de conexión a tierra (GFCI). Hay receptáculos con la protección de un GFCI integrado, y pueden utilizarse para contar con esta característica de seguridad.

Si el sierra es utilizado con un cable de extensión, asegure que la conexión del cable de alimentación del instrumento y el cable de extensión no está en el suelo.

Si una salida protegida no está disponible, no utiliza el sierra hasta que una salida pueda ser cambiada o la protección auxiliara puede ser obtenida. Estos dispositivos auxiliares de la protección están disponibles en su detallista local.

POSICIONAR DEL SIERRA DE LOSAS

Vea la figura 2.

Para evitar que el tomacorriente o enchufe del accesorio se humedezcan, coloque la sierra de losas hacia un lado del tomacorriente que se encuentra en la pared, para que el agua no caiga sobre ésta o el enchufe. El usuario debería realizar una “vuelta de goteo” en el cable que conecta la sierra al tomacorriente. La “vuelta de goteo” es la parte del cable por debajo del nivel del tomacorriente, o el conector si se utiliza un cable de extensión, que evita que el agua se deslice por el cable y entre en contacto con el tomacorriente.

Si el enchufe o el tomacorriente se humedecieren, NO desenchufe el cable. Desconecte el fusible o el interruptor automático que suministra electricidad a la herramienta. Luego desenchúfela y revise si hay agua en el tomacorriente.

ADVERTENCIA:

Para reducir el riesgo de electrocución, mantenga todas las conexiones secas y lejos del suelo. No toque el enchufe con las manos majadas.

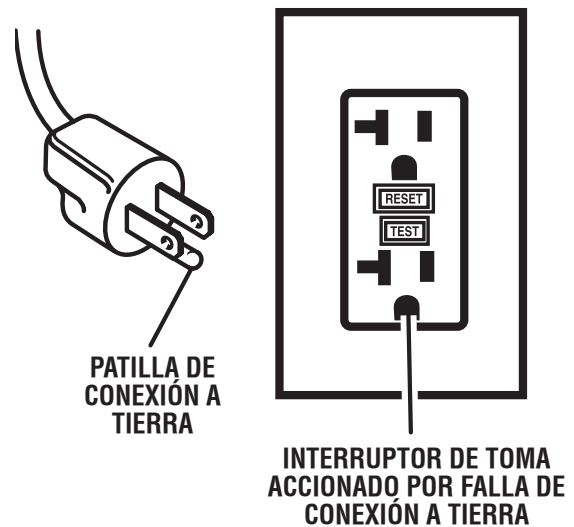


Fig. 1

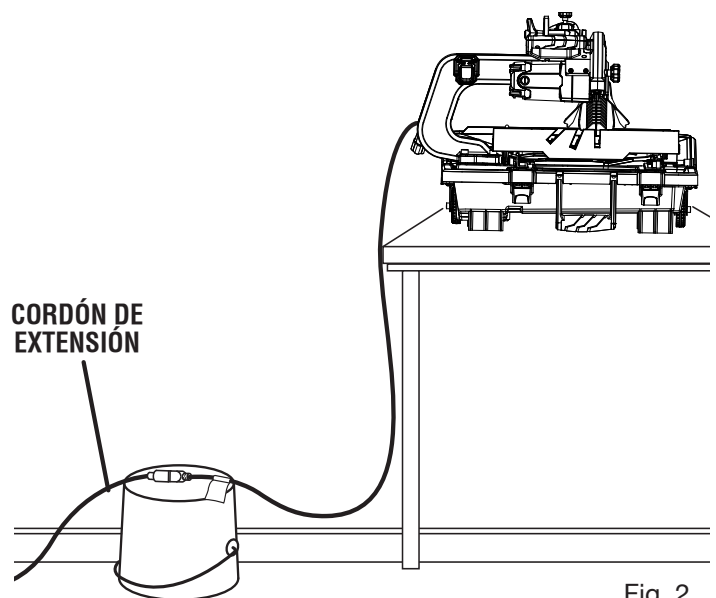
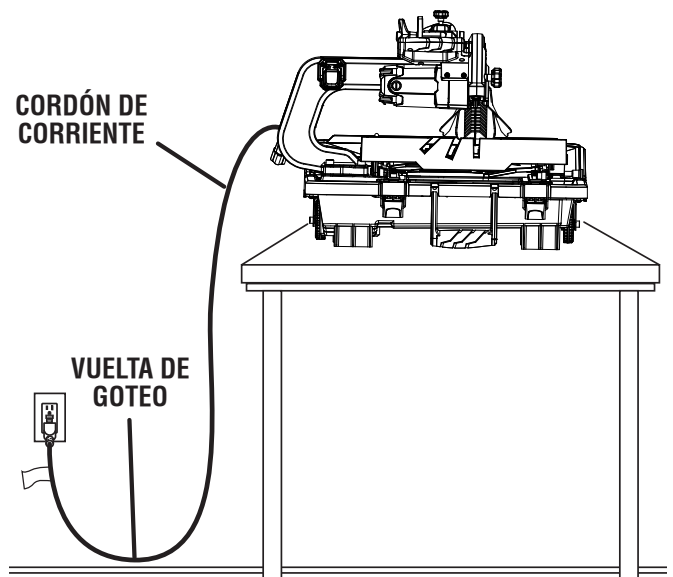


Fig. 2

CARACTERÍSTICAS

ESPECIFICACIONES DEL PRODUCTO

Diámetro de la hoja 203 mm (8 pulg.)
 Árbol de la hoja 15,8 mm (5/8 pulg.)
 Capacidad de corte
 al hilo (tamaño de losas)..... 610 mm (24 pulg.)

Capacidad de diagonal
 (tamaño de losas) 457 mm (18 pulg.)
 Profundidad del corte máxima.....70 mm (2-3/4 pulg.)
 Potencia nominal.....120 V~, 12 A, 60 Hz
 Velocidad en vacío 5 000 r/min (RPM)

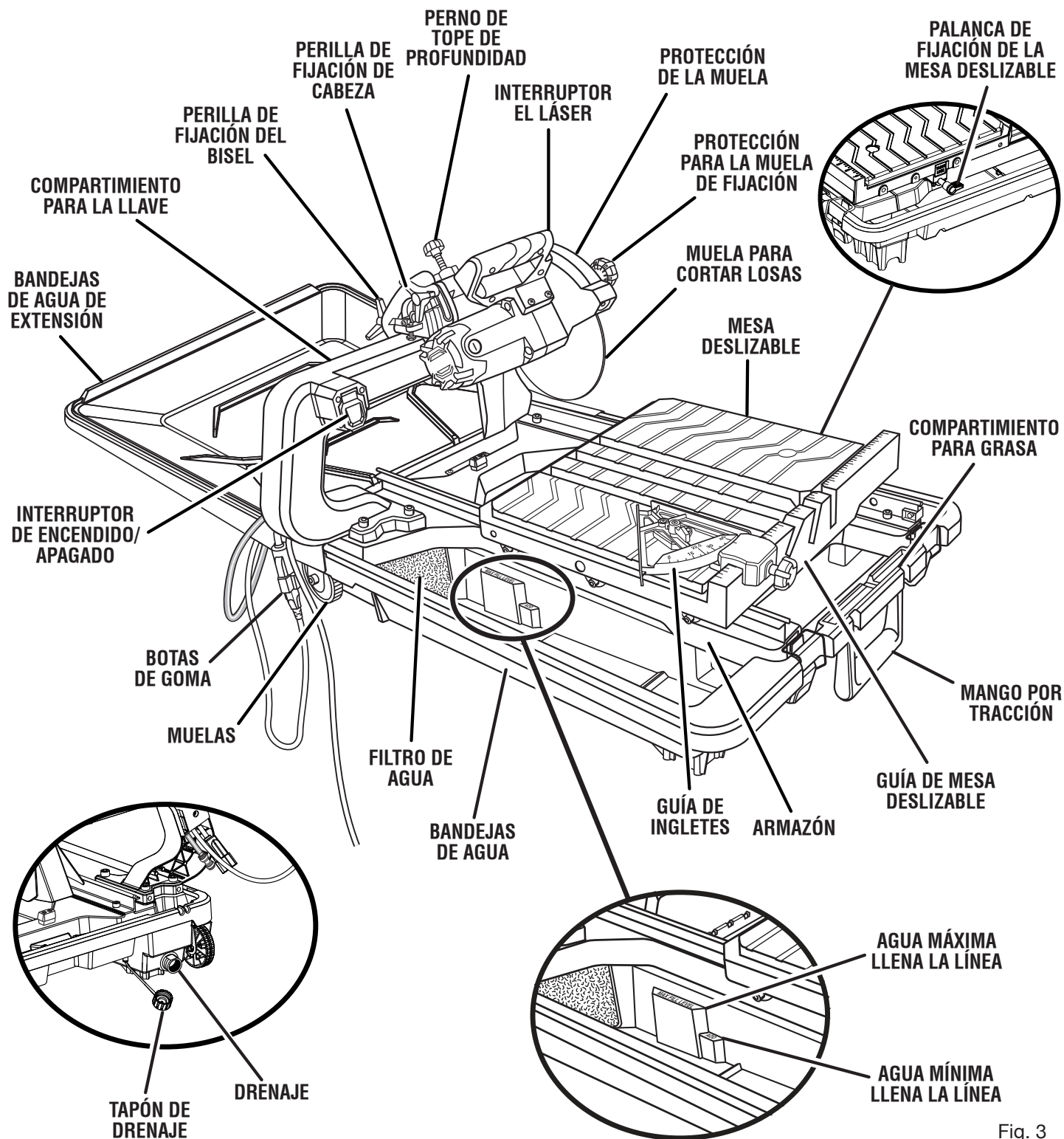


Fig. 3

CARACTERÍSTICAS

FAMILIARÍCESE CON LA SIERRA DE LOSAS

Vea la figura 3.

El uso seguro que este producto requiere la comprensión de la información impresa en la herramienta y en el manual del operador así como ciertos conocimientos sobre el proyecto a realizar. Antes de usar este producto, familiarícese con todas las características de funcionamiento y normas de seguridad.

8 pulg. MUELA PARA CORTAR LOSAS - 8 pulg. muela para cortar losas es incluido con su sierra.

⚠ ADVERTENCIA:

Asegúrese de usar únicamente muelas con velocidad nominal mínima inferior a la de esta herramienta. La inobservancia de esta advertencia puede causar lesiones serias.

PERILLA DE FIJACIÓN DEL BISEL - La perilla de bloqueo del bisel traba firmemente el cabezal de la sierra en cualquier ángulo de bisel de 0° a 45°. Les recomendamos que solo realice cortes en bisel con ángulos de 0°, 22,5° y 45°.

⚠ ADVERTENCIA:

Si realiza cortes en bisel con ángulos que no sean 0°, 22,5° o 45° el disco de corte podría entrar en contacto con la mesa deslizante y eso ocasionaría daños en la unidad y/o posibles lesiones personales graves.

SISTEMA DE ALINEACIÓN CON LÁSER AJUSTABLE - Para realizar cortes más precisos, se incluye una guía láser con su sierra ingleteadora. Cuando se usa correctamente, la guía láser facilita la realización de cortes de precisión. Empuje simplemente el botón para el láser no enciende o no apaga.

GUÍA DE INGLETES - Este indicador de fácil lectura muestra el ángulo exacto para cortes a inglete, y tiene trinquete a 0°, 22,5°, y 45°.

INTERRUPTOR DE ENCENDIDO/APAGADO - Esta sierra dispone de un interruptor de corriente de fácil acceso ubicado brazo de la sierra. Para asegurar el interruptor, coloque un candado (no viene incluido) a través del agujero del gatillo del interruptor. Cuando el candado está instalado y cerrado, no puede accionarse el gatillo del interruptor. Guarde la llave del candado en otro lugar.

MESA DESLIZABLE - La mesa deslizante permite al usuario deslizar la pieza de trabajo dentro del disco de troceado para lograr cortes precisos.

CONJUNTO DEL PROTECTOR CONTRA SALPICADURAS CON PROTECTOR LATERAL QUE PUEDE QUITARSE SIN HERRAMIENTAS- El protector contra salpicaduras ayuda a contener el rociado excesivo y la aparición de neblinas.

BOMBA SUMERGIBLE - La bomba sumergible (no se muestra) volumen proporciona agua al disco de corte.

BANDEJAS DE AGUA DE EXTENSIÓN - Mantenga limpiador de área de trabajo y más seco con la extensión de bandeja de agua en la parte posterior del instrumento.

GUARDAR DE LA LLAVE: - la sierra de losa incluye un compartimiento específicamente diseñado para almacenar llaves.

HERRAMIENTAS NECESARIAS

Se necesitan las siguientes herramientas (no vienen incluidas o dibujado para escalar) para el armado y la alineación:

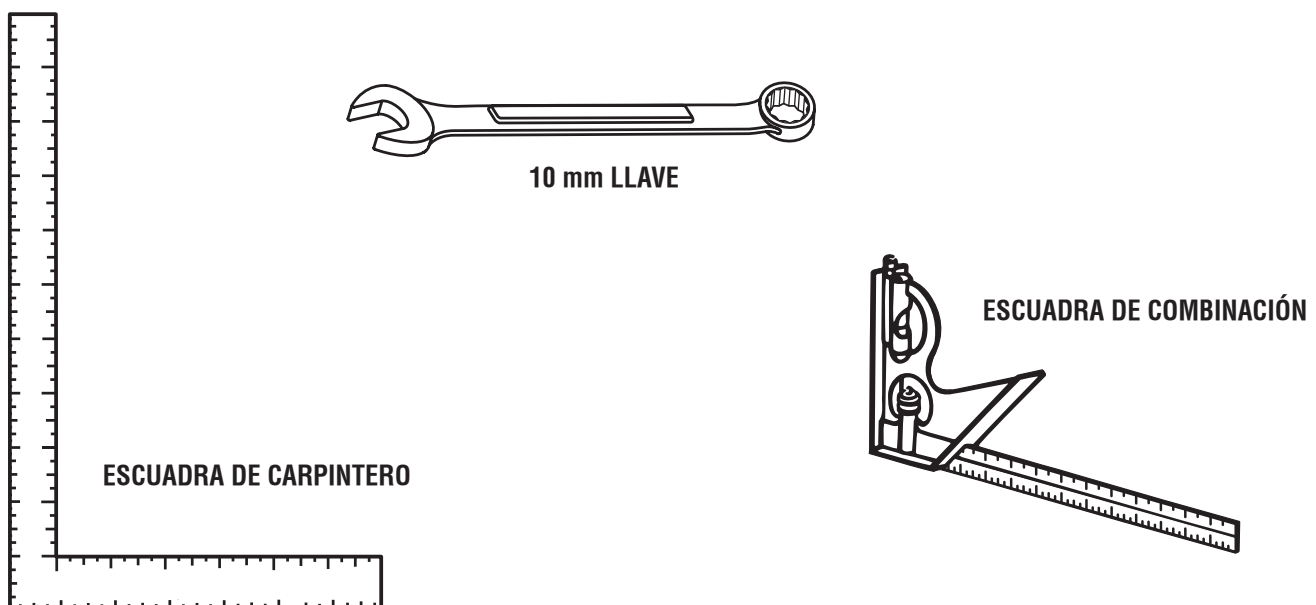


Fig. 4

PIEZAS SUELTAS

Con la sierra de losas vienen incluidos los siguientes artículos:

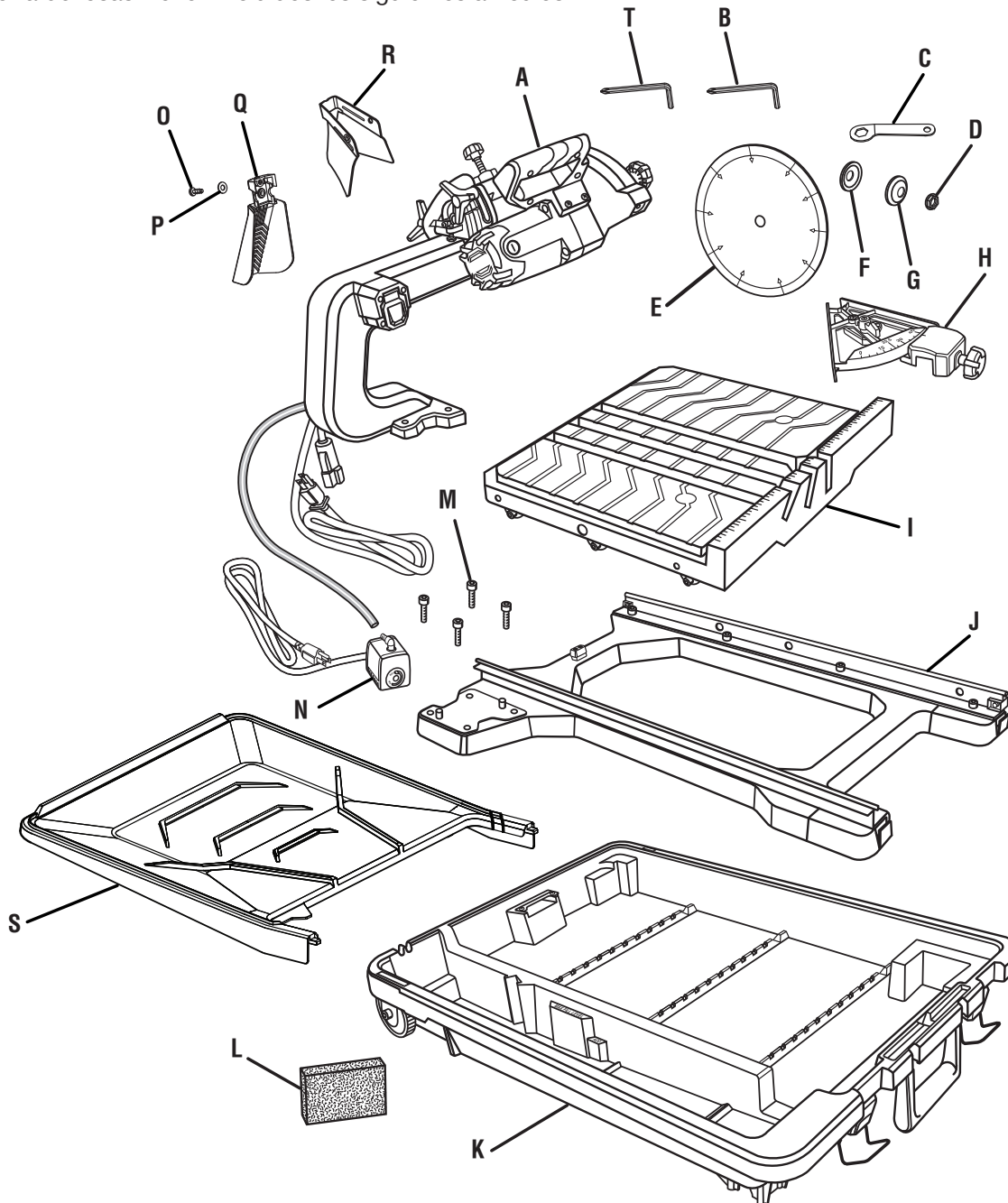


Fig. 5

A - Conjunto del motor de cabeza.....	1	K - Bandejas de agua.....	1
B - Llave hexagonal (6 mm).....	1	L - Filtro de agua.....	1
C - Llave de la muela.....	1	M- Tornillo de cabeza hueca.....	4
D - Tuerca del árbol.....	1	M- Bomba de agua.....	1
E - Muela para cortar	1	O- Tornillo	1
F - Arandela interior		P - Arandela	1
G - Arandela exterior	1	Q - Protector trasero contra salpicaduras	1
H - Guía de ingletes.....	1	R - Protector lateral contra salpicaduras	1
I - Mesa deslizante.....	1	S - Bandejas de agua de extensión	1
J - Agua en la armazón.....	1	T - Llave hexagonal (2,5 mm).....	1

ARMADO

DESEMPAQUETADO

Vea la figura 5.

Este producto requiere armarse.

- Extraiga cuidadosamente de la sierra y colóquela sobre una superficie de trabajo nivelada.

NOTA: La mayoría de las piezas sueltas se tal como se muestra a continuación se almacenan en el tanque de llenado de agua.

⚠ ADVERTENCIA:

No utilice este producto si alguna pieza incluida en la lista de piezas sueltas ya está ensamblada al producto cuando lo desempaqueta. El fabricante no ensambla las piezas de esta lista en el producto. Éstas deben ser instaladas por el usuario. El uso de un producto que puede haber sido ensamblado de forma inadecuada podría causar lesiones personales graves.

- Inspeccione cuidadosamente la herramienta para verificar que no haya sufrido ninguna rotura o daño durante el transporte.
- No deseche el material de empaquetado antes de terminar de inspeccionar y utilizar satisfactoriamente la herramienta.
- La sierra viene ajustada desde la fábrica para realizar cortes exactos. Después de armarla verifique la exactitud de la misma. Si en el envío resultaron afectados los ajustes, consulte los procedimientos específicos explicados en este manual.
- Si hay piezas dañadas o faltantes, sírvase llamar al 1-866-539-1710, donde le brindaremos asistencia.

⚠ ADVERTENCIA:

Si hay piezas dañadas o faltantes, no utilice esta herramienta sin haber reemplazado todas las piezas. Usar este producto con partes dañadas o faltantes puede causar lesiones serias al operador.

⚠ ADVERTENCIA:

No intente modificar esta herramienta ni hacer accesorios no recomendados para ella. Cualquier alteración o modificación constituye un uso indebido, y puede crear una situación peligrosa que culmine en lesiones corporales graves.

⚠ ADVERTENCIA:

No conecte la unidad a la toma de corriente antes de terminar de armarla. De lo contrario, la unidad puede ponerse en marcha accidentalmente, con el consiguiente riesgo de lesiones graves.

INSTALAR CONJUNTO DEL MOTOR PARA ARMazón

See Figure 6.

- Alinee los hoyos en el conjunto del motor de cabeza con los hoyos en el agua en la armazón.
- Baje el conjunto del motor de cabeza sobre los postes.
- Enrosque los tornillos de cabeza hueca hasta atravesar el conjunto del motor de cabeza y llegar a los orificios del armazón.
- Ajuste los tornillos con la llave hexagonal de 6 mm que se incluye.

NOTA: El compartimiento para guardar la llave está ubicado en la parte posterior del motor

- Deje el conjunto del armazón y el motor de cabeza a un lado.

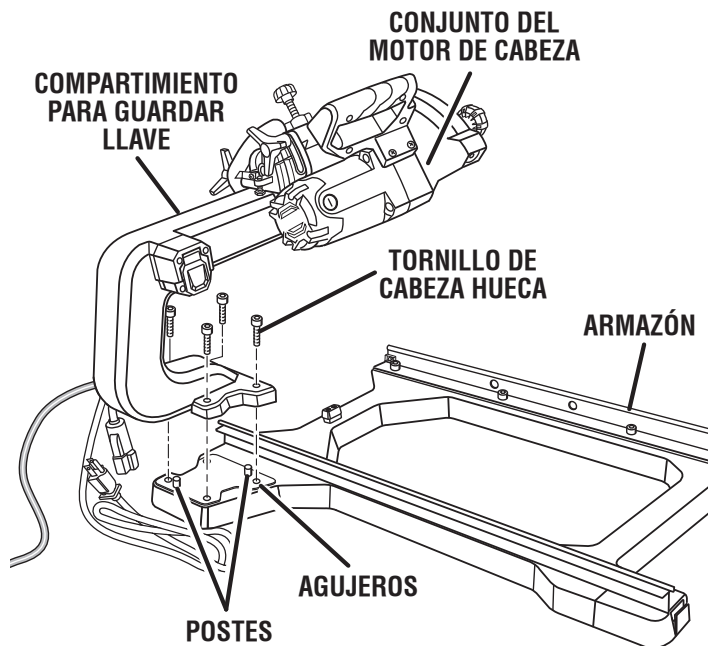


Fig. 6

ARMADO

INSTALACIÓN DEL FILTRO DE AGUA Y LA BOMBA DE AGUA

Veá las figuras 7 a 9.

La bomba causa la recirculación de agua de la bandeja a la hoja.

- Ubique las ranuras para el filtro y el pozo de la bomba dentro de la bandeja de agua. El pozo de la bomba está indicado como “pozo de la bomba”.
- Deslice el filtro dentro de la ranura, como se muestra.
- Ubique el selector de flujo máximo/mínimo de agua en la bomba. Para lograr un desempeño óptimo, ajuste el flujo a “Max” (máximo) para controlar el flujo de agua sobre la rueda.

NOTA: El flujo de agua puede ajustarse durante el uso; para hacerlo, quite el filtro, coloque la mano en el pozo de agua y gire el selector de flujo de la bomba. Luego, vuelva a colocar el filtro.

- Deslice el filtro dentro de la ranura, como se muestra.

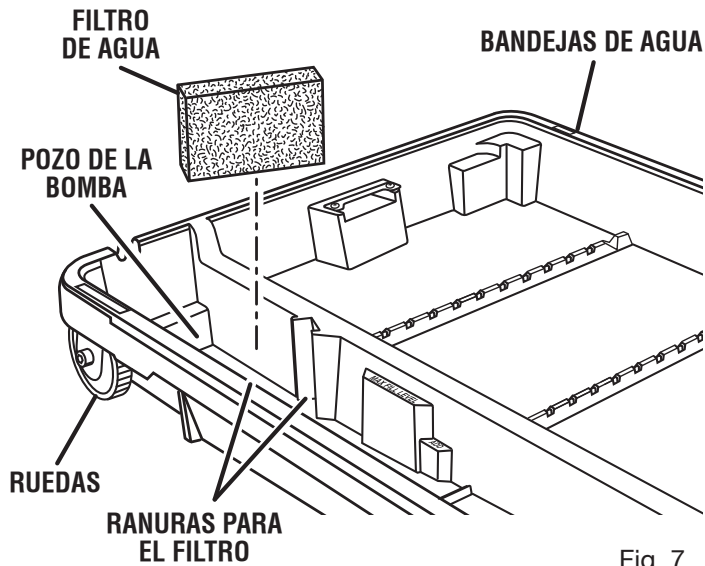


Fig. 7

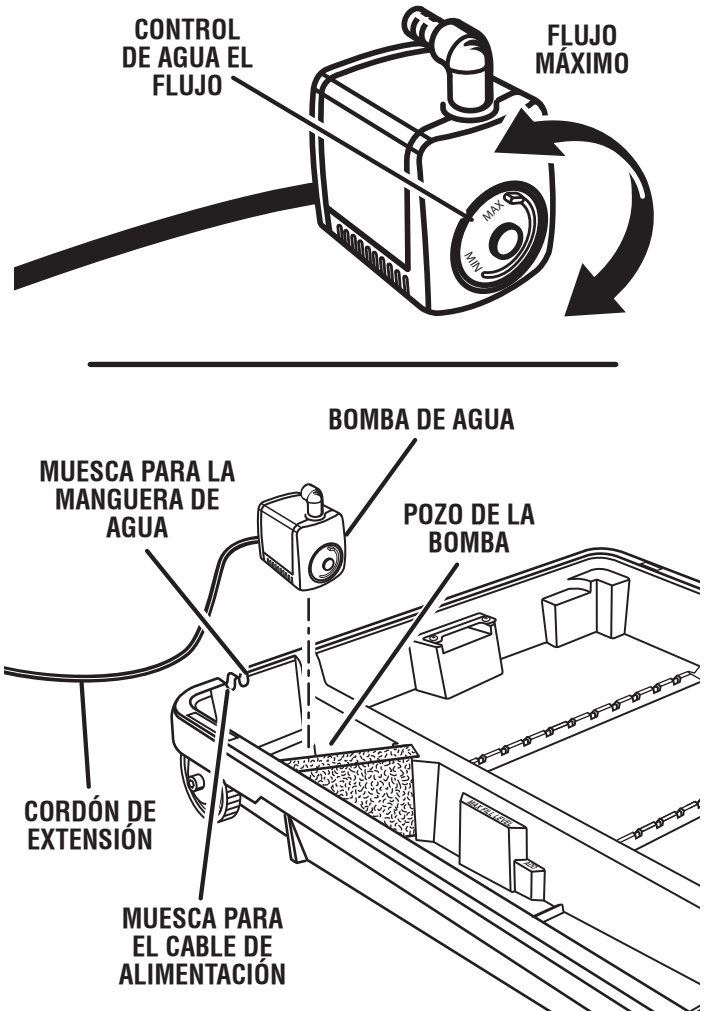


Fig. 8

ARMADO

INSTALACIÓN DE LA BANDEJA DE AGUA

Vea las figuras 8 y 9.

- Coloque la bandeja de agua, con la bomba y el filtro instalados, sobre una superficie plana y firme o sobre un terreno nivelado.
- Conecte la manguera de agua al codo de la bomba.
- Levante con cuidado el conjunto del armazón de la bandeja de agua y el motor de cabeza sobre la bandeja de agua, como se muestra.
- Incline el armazón de la bandeja de agua e inserte la lengüeta de alta resistencia en la ranura de la bandeja de agua.
- Asegure la bandeja de agua con las trabas de la parte delantera de la bandeja.

- Conecte el cable de alimentación de la bomba al cable de alimentación del motor de cabeza. Verifique que la bota de goma cubra el lugar de la conexión para evitar que el agua entre en contacto con el enchufe.

NOTA: la bomba se enciende cuando el motor está encendido. Deje que la muela para cortar adquiera velocidad y espere que la rueda se moje antes de acercarse al material a la rueda.

- Coloque el cable de alimentación y la manguera de agua en las muescas provistas para tal fin en la bandeja de agua.

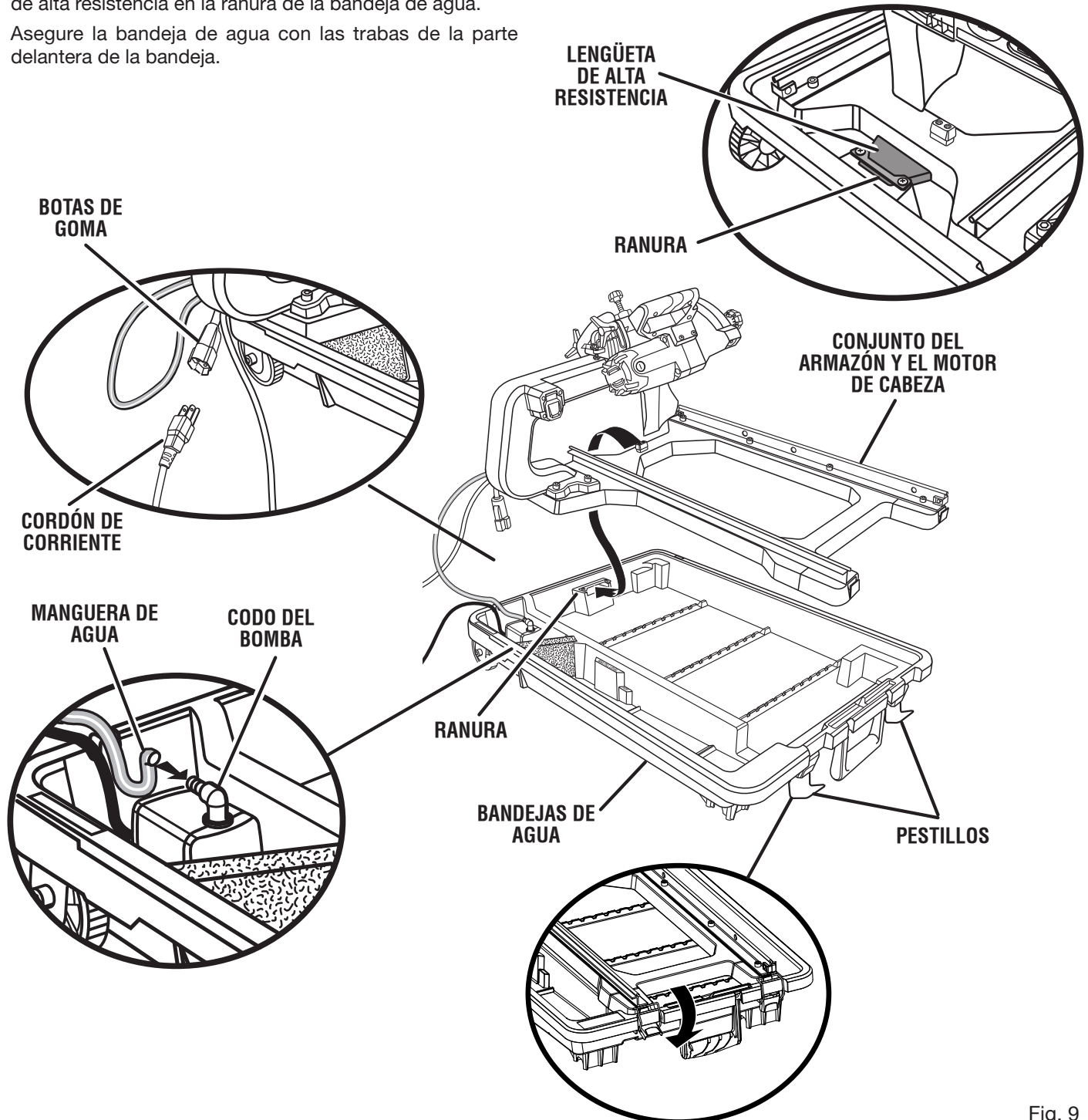


Fig. 9

ARMADO

INSTALACIÓN DE LAS MESAS DESLIZABLE

Vea la figura 10.

Para instalar la mesa deslizable:

- Sostenga la mesa con firmeza y coloque los rodillos en la parte delantera de los rieles.
- Sostener la paralela de mesa con el armazón, empuja la mesa hacia parte trasera del sierra.
- Cuando la palanca de fijación de la mesa alcance la parada en la riel delantera en el lado derecho del armazón, saque la palanca y tenga fuera hasta que la verrouillage haya pasado la tope. Suelte la palanca.
- Deslice la mesa por las rieles hasta que los rodillos finales enganchada las rieles.

Para asegurar la mesa deslizable:

- Tire hacia fuera de la palanca de fijación de la mesa y gírela 90° en sentido antihorario.
- Suelte la palanca.

NOTA: Cuando la mesa es instalada en la bandejas de agua y usted empuja la mesa, “chasquido” en el lugar. Esto es la palanca de fijación de la mesa que chasquéa en un hoyo en el armazón que asegure la mesa en su lugar.

Para desbloquear la mesa deslizable:

- Tire hacia fuera de la palanca de fijación de la mesa y gírela 90° en hacia la derecha.

MUELA PARA CORTAR LOSAS

Para un mayor rendimiento y seguridad, se recomienda que use solamente 203 mm (8 pulg.) muela para cortar es suministrada con la sierra. Se dispone de estilos adicionales de muelas de la misma alta calidad para su distribuidor local.

⚠ ADVERTENCIA:

Asegúrese de usar únicamente muelas con velocidad en vacío nominal mínima inferior a la de esta herramienta. La inobservancia de esta advertencia podría causar posibles lesiones serias. Nunca utilice muelas que tengan orificios, muescas, o dientes con esta herramienta.

INSTALACIÓN DE MUELA DE CORTAR DE LOSAS

Vea la figura 11.

⚠ ADVERTENCIA:

La sierra tiene capacidad para muelas hasta de un diámetro de 8 pulg. Nunca utilice una muela tan gruesa que la guía láser no se enganche en las partes planas del husillo. Las muelas más grandes tocan las protecciones de la muela, y las más gruesas impiden asegurarlas con el perno correspondiente en el husillo. Cualquiera de estas dos situaciones puede producir un accidente serio, con las consiguientes lesiones corporales serias.

- Desconecte la sierra.

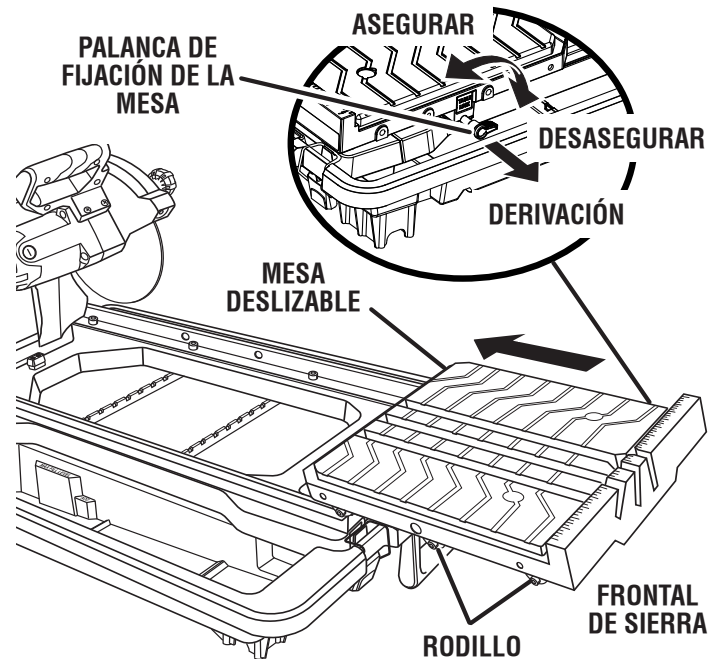


Fig. 10

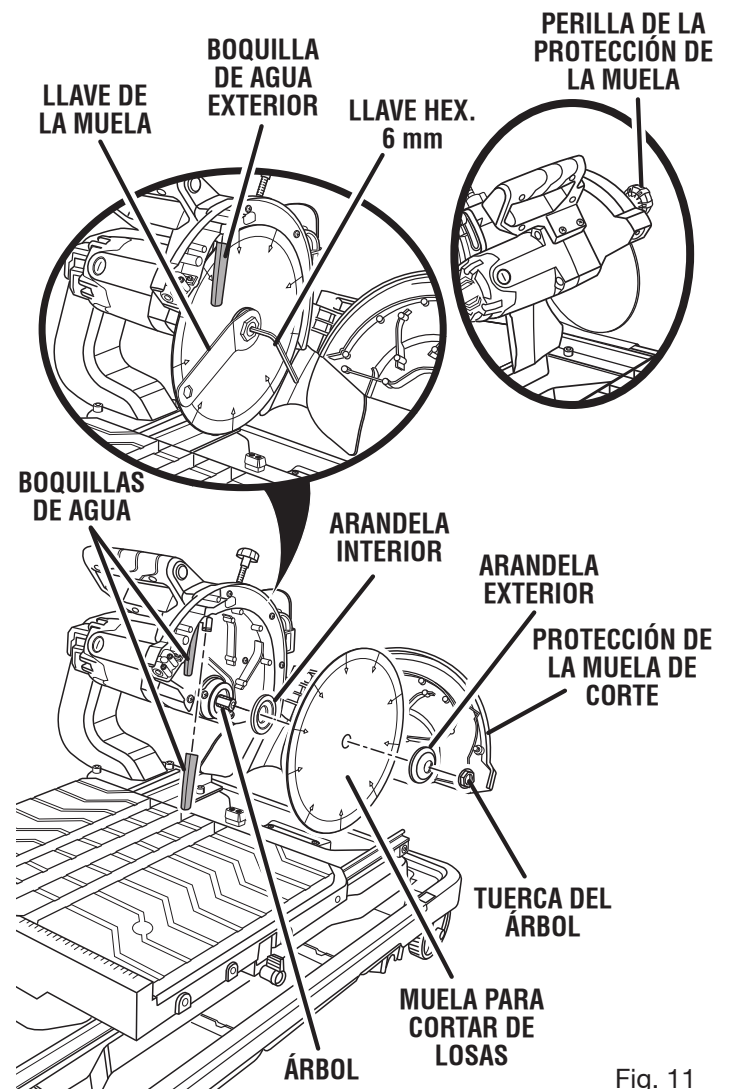


Fig. 11

ARMADO

- Fije la mesa en la posición delantera.
- Gire la perilla de la protección de la muela en sentido antihorario para aflojarla y abra la protección de la muela de corte.
- Coloque la llave de la muela en la tuerca del árbol y luego deslice la llave hexagonal de 6 mm dentro del árbol.
- Sostenga la llave hexagonal con firmeza para evitar el movimiento y gire la llave para la muela en sentido antihorario para aflojar.
- Retire la tuerca del árbol y la arandela exterior dejando la arandela interior en el árbol.

⚠ ADVERTENCIA:

Si retiró la arandela interior de la hoja, vuelva a colocarla antes de instalar la muela en el husillo. Si no lo hace podría producirse un accidente ya que la muela no se apretaría correctamente. Nunca utilice muelas que tengan orificios, ranuras ni dientes con esta herramienta.

- Coloque el muela para cortar sobre el árbol con las flechas del muela para cortar mirando hacia la izquierda.

NOTA: En este producto vienen instaladas dos boquillas de agua. Asegúrese de instalar la muela de corte de manera que haya una boquilla de agua a cada lado de la muela de corte, con los puertos de agua hacia la muela de corte. La boquilla de agua exterior puede quitarse fácilmente para instalar la muela de corte. Verifique que, al volver a colocar el orificio de salida de la boquilla exterior, el puerto de agua quede del lado de la muela de corte.

- Reemplace el arandela exterior. Las dos partes planas en forma de "D" de las arandelas del muela se alinean con las partes planas del husillo.
- Reemplace el tuerca del árbol sobre la arbre. Con la llave del muela y la llave del árbol, apriete la tuerca del árbol firmemente.

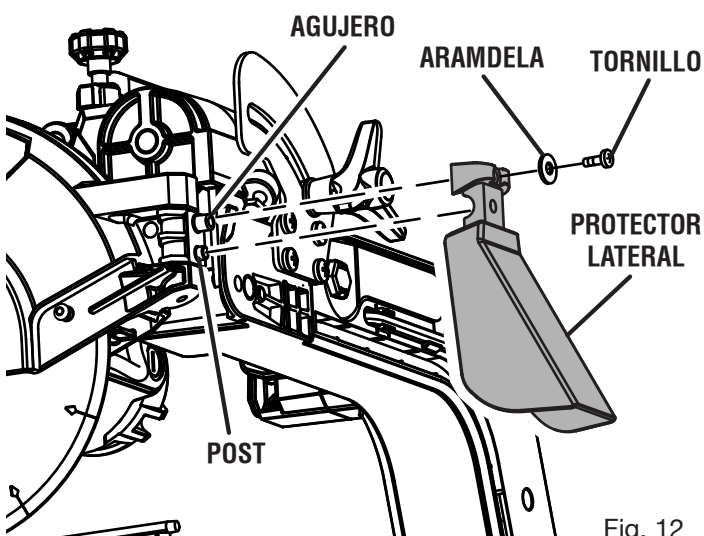


Fig. 12

INSTALACIÓN DEL CONJUNTO DEL PROTECTOR CONTRA SALPICADURAS

Vea las figuras 12 a 14.

El protector contra salpicaduras de esta sierra es un conjunto de dos piezas.

Colocación del protector trasero contra salpicaduras:

- Alinee los orificios del protector trasero contra salpicaduras con el poste de la parte posterior de la protección de la muela de corte, como se muestra.
- Pase el tornillo por la arandela y por el protector contra salpicaduras y atorníllelo en el orificio.
- Apriételo firmemente. Asegúrese de no ajustarlo en exceso.

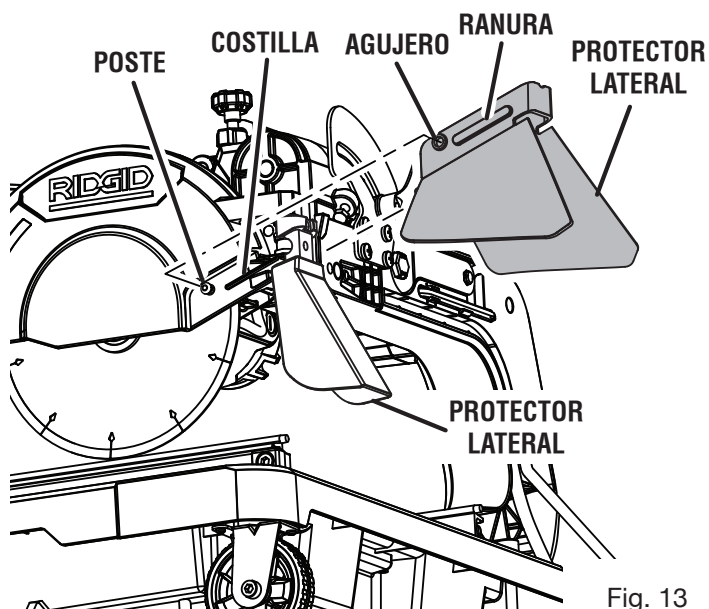


Fig. 13

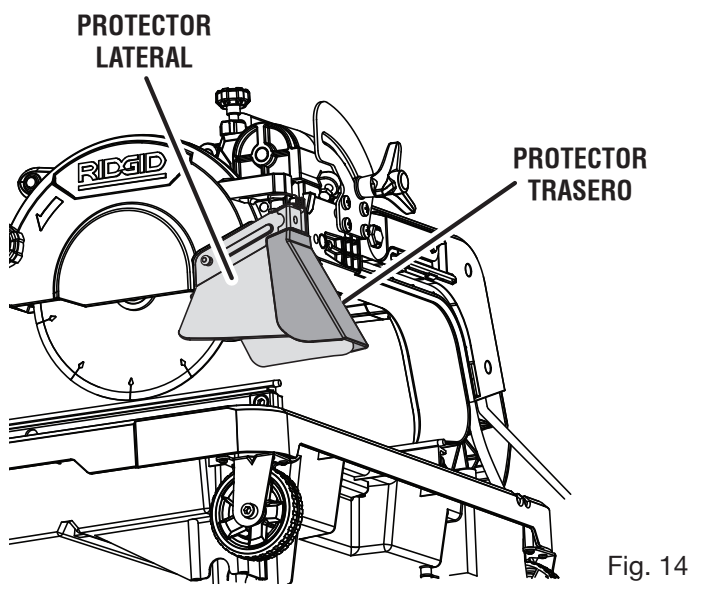


Fig. 14

ARMADO

Colocación del protector lateral contra salpicaduras:

- Instale el protector lateral contra salpicaduras sobre el protector trasero contra salpicaduras.
- Inserte el poste, ubicado al costado de la protección de la muela de corte, en el orificio de la solapa lateral de la protección.
- Acomode las ranuras de la protección contra salpicaduras sobre las costillas de la protección de la muela de corte.
- Repita el mismo procedimiento del otro lado.
- Luego de terminar el armado, TIRE hacia afuera de la protección trasera contra salpicaduras de manera que las solapas queden **SOBRE** la protección lateral contra salpicaduras.

INSTALAR BANDEJAS DE AGUA DE EXTENSIÓN

Vea la figura 15.

- Párese detrás de la sierra y sostenga la bandeja de agua de extensión con las lengüetas de la bandeja hacia las ranuras.
- Incline la bandeja y deslice las lengüetas de la bandeja entre las partes inferior y superior del armazón. **La bandeja debe quedar por encima de la manguera de agua y del cable de alimentación de la bomba.**
- Una vez que la bandeja de extensión quede en su lugar, bájela hasta que las lengüetas de la bandeja encajen en los orificios debajo del armazón.

INSTALAR GUÍA DE INGLETES

Vea la figura 16.

La guía de borde al hilo puede ser utilizada de la izquierda y a la derecha el lado correcto de la muela para cortar.

- Coloque la ranura de la parte inferior de la guía de ingletes sobre la guía de corte de la mesa deslizante.
- Trabe la guía de ingletes firmemente a la mesa girando la perilla de la guía de ingletes hacia la derecha.

Ajuste ángulos:

- Afloje la perilla de inglete.
- Gire al ángulo deseado moviendo la guía izquierdo o el derecho.
- Apriete la perilla firmemente.

LLENADO/CAMBIAR DEL TANQUE DE AGUA

Vea la figura 17.

- Instale el tapón de drenaje.
- Llene el tanque de agua con agua de grifo limpia hasta la línea de llenado. No llene el agua del tanque por línea de llenado máximo.

Para cambiar el agua del tanque:

- Desconecte la sierra.
- Retire el tapón de drenaje y vacíelo en un balde, no deje que el agua salpique sobre el suelo ni alrededor de la máquina.
- Enjuague a fondo el tanque de agua.
- Deseche agua de desecho de acuerdo con regulaciones locales.

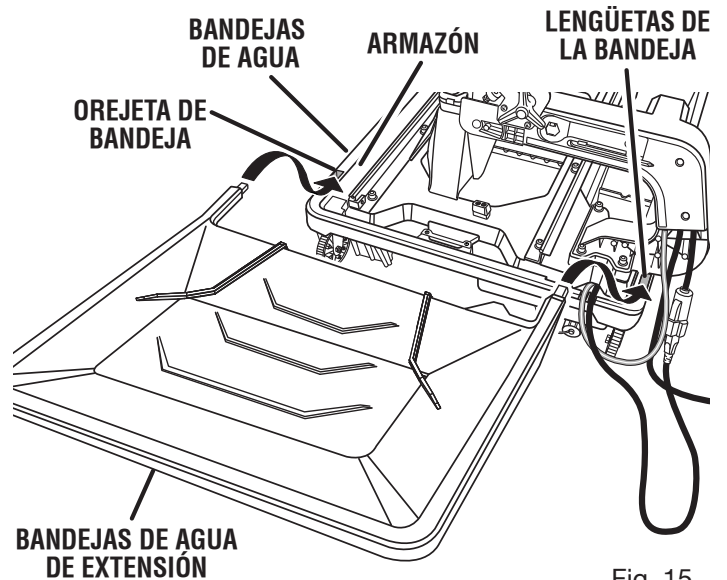


Fig. 15

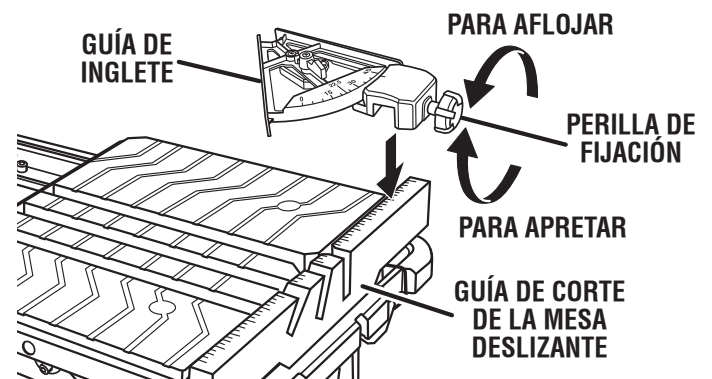


Fig. 16

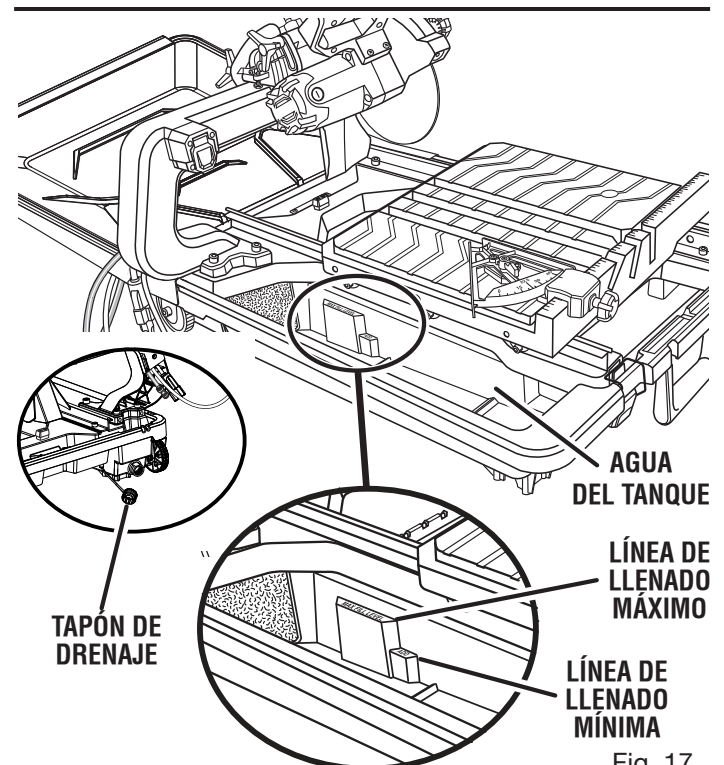


Fig. 17

ARMADO

- Reemplace el tapón de drenaje y bandeja de repuesto con agua potable.

NOTA: El drenaje es compatible con las mangueras de jardín de tamaño estándar.

TRANSPORTE DE LA SIERRA PARA LOSAS

Vea la figura 18.

- Trabe la mesa deslizable.
- Quite la bandeja de agua de extensión.
- Asegúrese de no arrastrar las mangueras ni los cables por el piso.
- La sierra puede moverse fácilmente con el mango de tracción y las ruedas.



Fig. 18

FUNCIONAMIENTO

⚠ ADVERTENCIA:

No permita que su familiarización con las herramientas lo vuelva descuidado. Tenga presente que un descuido de un instante es suficiente para causar una lesión seria.

⚠ ADVERTENCIA:

Siempre póngase protección ocular con la marca de cumplimiento de la norma ANSI Z87.1, junto con protección auditiva y protección respirar. Si no cumple esta advertencia, los objetos que salen despedidos pueden producirle lesiones serias en los ojos.

⚠ ADVERTENCIA:

No utilice ningún aditamento o accesorio no recomendado por el fabricante de esta herramienta. El empleo de aditamentos o accesorios no recomendados podría causar lesiones serias.

APLICACIONES

Esta sierra está diseñada únicamente para cortar adoquines, losas de piedra y losas artificiales de hasta 10 cm (4 pulg.).

Esta herramienta puede emplearse para los fines enumerados abajo:

- La línea recta las operaciones cortantes como cortes transversales, corte de inglete, corte longitudinal, y cortar en bisel
- Cortar piedras de jardín

FUNCIONAMIENTO

INTERRUPTOR DE ENCENDIDO / APAGADO

Vea la figura 19.

Para encender la sierra:

- Levante de mismo a la posición de encendido.

Para apagar la sierra:

- Para apagarla, baje de interruptor a la posición de apagado.

Para asegurar la sierra:

- Con la sierra apagó, coloque un candado (no viene incluido) a través del agujero del interruptor.

⚠ ADVERTENCIA:

Apague el interruptor en caso de registrarse una falla en la alimentación o cuando no se esté utilizando la herramienta. De esta manera se evita un arranque por accidente de la herramienta al restablecerse la corriente.

⚠ ADVERTENCIA:

SIEMPRE asegúrese de que la pieza de trabajo no toque la muela, antes de accionar el interruptor para encender la herramienta. La falta de atención a esta advertencia puede causar el lanzamiento violento de la pieza de trabajo hacia el operador, con posibilidad de lesiones graves.

⚠ ADVERTENCIA:

Para reducir el riesgo de un arranque accidental, SIEMPRE asegúrese de que el interruptor esté en la posición de apagado antes de conectar la herramienta en la toma de corriente.

PROCEDIMIENTO DE TRABA Y DESTABA EL MOTOR DE CABEZA

Vea la figura 20.

Para destrabar y levantar el motor de cabeza:

- Sujete firmemente el mango en "D" y presione hacia abajo mientras tira de la pasador de seguridad hacia afuera, separándola de la carcasa de la sierra.
- Levante lentamente el motor de cabeza.

Para volver a trabar el motor de cabeza:

- Sujete firmemente el mango en "D" y presione hacia abajo mientras tira de la pasador de seguridad hacia afuera, separándola de la carcasa de la sierra.

NOTA: Para todos los cortes pasante, coloque el brazo de la sierra en la posición de bloqueo.

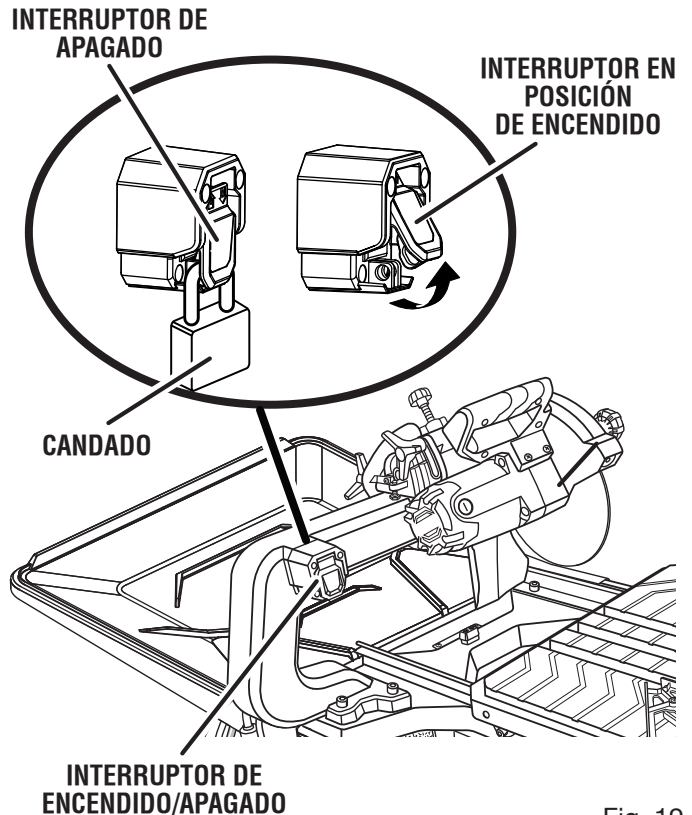


Fig. 19

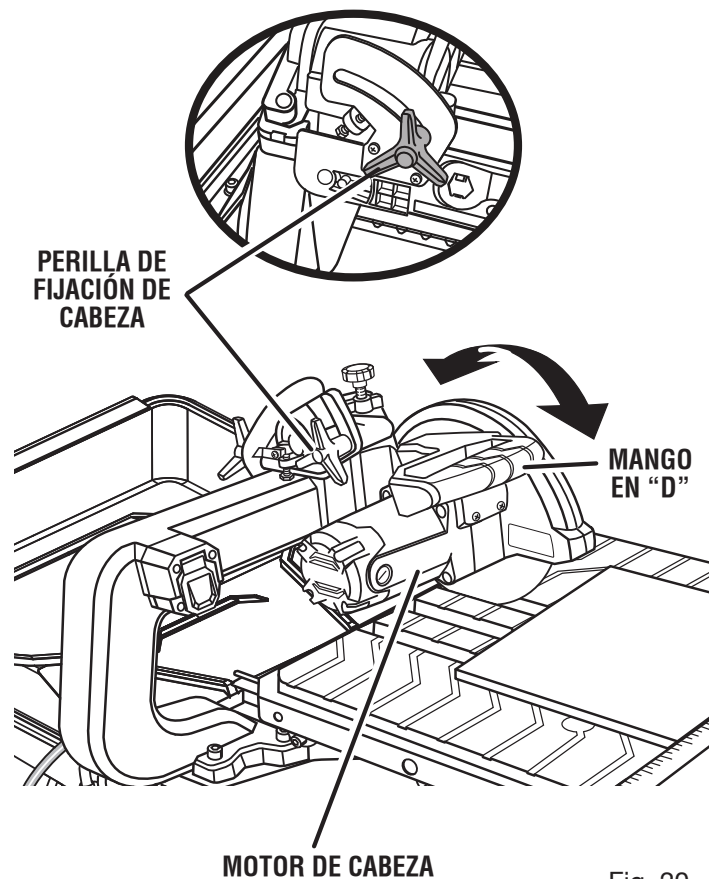


Fig. 20

FUNCIONAMIENTO

FORMA DE EFECTUAR CORTES

Siempre escriba la línea para ser cortada en el mosaico que utiliza un lápiz de marcador o grasa. Si la losa es brillante y duro a la marca, cinta adhesiva protectora de lugar en la losa y marca la cinta.

Un problema común al cortar losa se desvía de la línea marcada. Una vez que usted se ha desviado de la marca, usted no puede forzar la espalda de la rueda a la línea torciendo el losa. En vez de eso, atrás arriba y recut el mosaico que corta una pequeña cantidad de losa hasta que la rueda regrese en el vestigio.

Para evitar este problema, utilice el guía de ingletes siempre que posible.

Otro problema corta material difícil. Para prevenir astillar del material a fines del corte, utilice el corte penetración.

NOTA: Un ajuste menos profundo de la sierra puede ayudar a minimizar el astillado; consulte la sección **Ajustes del tope de profundidad**.

Limpie la mesa de la sierra y la guía de ingletes, frecuencia durante su uso. Los escombros del material cortado puede interferencia con la función de la herramienta.

⚠ PELIGRO:

Radiación láser. Evite contacto directo de los ojos con la fuente luminosa.

⚠ ADVERTENCIA:

Todo control, ajuste o procedimiento diferente de los especificados aquí, puede causar una exposición peligrosa a la radiación.

USANDO LA GUÍA LÁSER

Vea la figura 21.

Con ayuda de una escuadra, dibuje una marca sobre la losa con un marcador o un lápiz de cera. Active y desactive el láser presionando el botón de guía del láser ubicado sobre el costado del mango en "D". Cuando el interruptor de guía de láser lo es prendido, la guía láser genera una línea roja en la superficie de trabajo. La línea le permite ver la marca que usted puso y la propia línea al mismo tiempo, lo cual le ayuda a alinear la marca para lograr un corte más preciso en la losa.

NOTA: El láser puede ser difícil de ver si hay mucha luz solar.

Manteniendo la sierra hacia arriba, mueva la losa hasta que la marca y la línea laser estén alineadas.

Realice varios cortes de prueba en materiales de diferentes tipos y espesores. Repita el encima de pasos necesitó.

Remoción de la marca puesta por usted:

Coloque la losa de manera que la línea laser esté cerca del borde izquierdo de su marca para remover la marca.

Para cortar la marca:

Coloque la losa de manera que la línea esté cerca o sobre su marca para cortar la marca.

Para dejar la marca:

Coloque la losa de manera en que la línea laser esté cerca del borde derecho de su marca para dejar la marca.

Después de familiarizarse con el uso de la guía láser, podrá retirar, cortar o dejar la marca de usted en la superficie de trabajo. La práctica le enseñará la posición correcta para alinear su marca con la línea laser.

Para ajustar la posición del guía de la línea laser, refiérase a la sección de **Ajustes** más adelante en este manual.

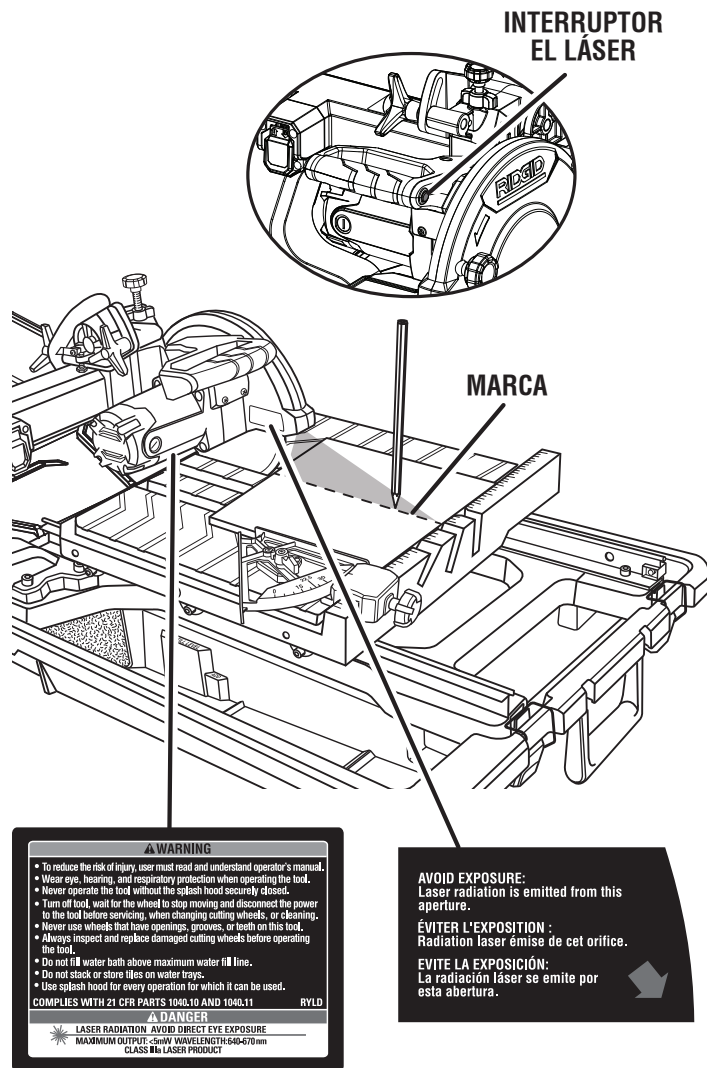


Fig. 21

FUNCIONAMIENTO

PARA EFECTUAR CORTES TRANSVERSALES / CORTE AL HILO

Vea la figura 22.

Los cortes transversal / cortes al hilo son directamente 90° los cortes. La materia es alimentada en el corte en un 90° el ángulo a la rueda, y la muela son verticales.

- Con ayuda de una escuadra, dibuje una línea sobre la losa con un marcador o un lápiz de cera.
- Ajuste la guía de ingletes a 0° para usar el lado derecho o a 90° para usar el lado izquierdo. Ajuste la perilla de fijación y trábela.
- Asegúrese de que la guía de ingletes no esté en la trayectoria de corte.
- Coloque la materia sobre la mesa y firmemente contra la guía de borde al hilo y guía.
- Asegúrese de que la material está lejos de la muela para cortar losas antes de encender la sierra.
- Coloque el interruptor de encendido/apagado en la posición de encendido.
- Deje que la muela para cortar adquiera velocidad y espera para la muela para mojar antes de mover la mesa de inglete para alimentar la pieza de trabajo a la muela.
- Sostenga firmemente la material contra la guía de ingletes y guía, y aváncela hacia la muela para cortar.
- Cuando termine el corte, apague la sierra; para ello, ponga el botón en la posición apagado. Espere a que la muela se detenga por completo antes de retirar cualquier parte de la material.

- Deje que la muela para cortar adquiera velocidad y espera para la rueda para mojar antes de mover la mesa de inglete para alimentar la pieza de trabajo a la muela.
- Sostenga firmemente la material contra la guía de ingletes y guía, y aváncela hacia la muela para cortar.
- Cuando termine el corte, apague la sierra; para ello, ponga el botón en la posición apagado. Espere a que la muela se detenga por completo antes de retirar cualquier parte de la material.

CORTES TRANSVERSALES / CORTE AL HILO

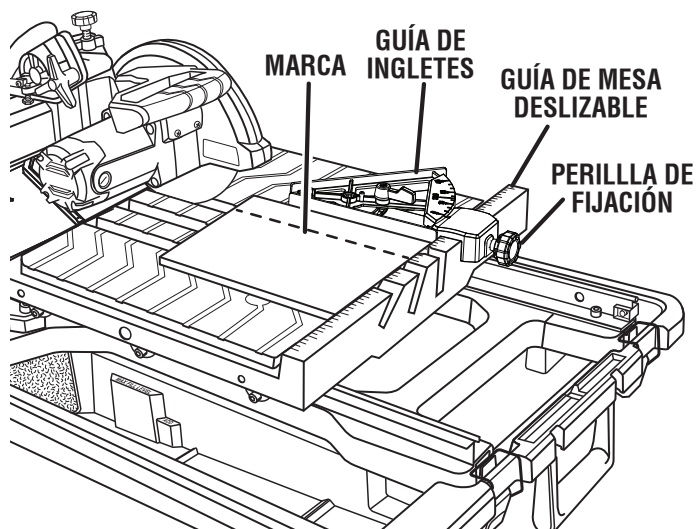


Fig. 22

PARA EFECTUAR CORTES DIAGONALE

Vea la figura 23.

cortes diagonales también son llamados “cortes de punta a punta”.

- Con ayuda de una escuadra, dibuje una línea sobre la losa con un marcador o un lápiz de cera.
- Ajuste la guía de ingletes a 0° para usar el lado derecho o a 90° para usar el lado izquierdo. Ajuste la perilla de fijación y trábela.
- Asegúrese de que la guía de ingletes no esté en la trayectoria de corte.
- Coloque la materia sobre la mesa y firmemente contra la guía de ingletes y guía.
- Asegúrese de que la material está lejos de la muela para cortar losas antes de encender la sierra.
- Coloque el interruptor de encendido/apagado en la posición de encendido.

CORTE DIAGONALE

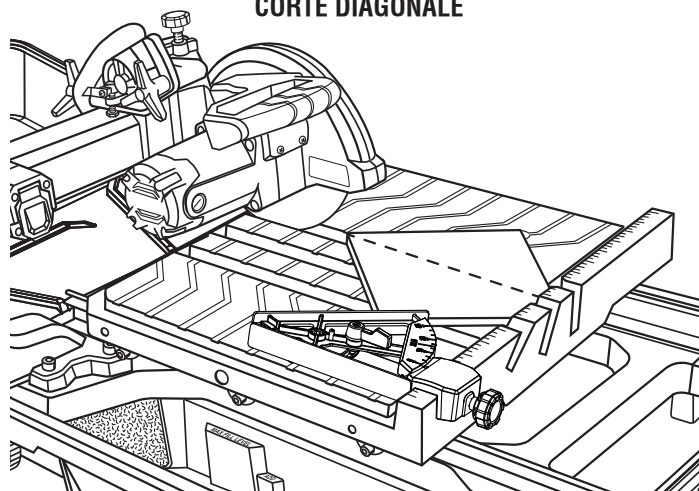


Fig. 23

FUNCIONAMIENTO

PARA EFECTUAR CORTE A INGLETE

Vea la figura 24.

Los cortes a inglete se usan para cortar esquinas internans y externans de cerámica, molduras decorativas de riel y de base con la materia en cualquier ángulo a la rueda de otra manera que 90°. Los cortes a inglete tienden a “arrastrar” durante cortar. Esto puede ser controlado por tener la pieza de trabajo firmemente contra la guía de ingletes.

- Utilizar un lápiz de marcador o grasa, marca el área para ser cortada en la material.
- Coloque la guía de ingletes al ángulo deseado, seguro el lugar, y apriete la perilla de fijación.
- Asegúrese de que la guía de ingletes no esté en la trayectoria de corte.
- Coloque la materia sobre la mesa y firmemente contra la guía de mesa deslizable.
- Asegúrese de que la material está lejos de la muela para cortar losas antes de encender la sierra.
- Coloque el interruptor de encendido/apagado en la posición de encendido.
- Deje que la muela para cortar adquiera velocidad y espera para la muela para mojar antes de mover la mesa de inglete para alimentar la pieza de trabajo a la muela.
- Sostenga firmemente la material contra la guía de mesa deslizable y aváncela hacia la muela para cortar.
- Cuando termine el corte, apague la sierra; para ello, ponga el botón en la posición apagado . Espere a que la muela se detenga por completo antes de retirar cualquier parte de la material.

PARA EFECTUAR CORTES EN L

Vea la figura 25.

Una corte en L es una sección que se saca de la material y se una al cortar la material que entrará en un rincón de un mueble o pieza de moldura y son hechos por dos cortes separados.

NOTA: Sólo overcut en el fondo o debajo del lado de la materia para ser cortado.

- Utilizar un lápiz de marcador o grasa, marque el área que se debe cortar en ambos lados del material.
- Coloque la guía de ingletes al ángulo deseado y seguro el lugar.
- Asegúrese de que la guía de ingletes no esté en la trayectoria de corte.
- Coloque la materia sobre la mesa y firmemente contra la guía de ingletes y guía.
- Asegúrese de que la material está lejos de la muela para cortar losas antes de encender la sierra.
- Coloque el interruptor de encendido/apagado en la posición de encendido.
- Deje que la muela para cortar adquiera velocidad y espera para la rueda para mojar antes de mover la mesa de inglete para alimentar la pieza de trabajo a la muela.

- Sostenga firmemente la material contra la guía de ingletes y guía, y aváncela hacia la muela para cortar.
- Haga el corte suficiente distante en la materia sin haga lo mismo.
- Cuando termine el corte, apague la sierra. Espere a que la muela se detenga por completo antes de retirar cualquier parte de la material.
- Gire la materia sobre y haga el corte por uno de las marcas. Este haga lo mismo del tiempo que la otra línea y el piezo del corte deben separar del resto de la materia.
- Cuando termine el segundo corte, apague la sierra. Espere a que la muela se detenga por completo antes de retirar cualquier parte de la material.

CORTE A INGLETE

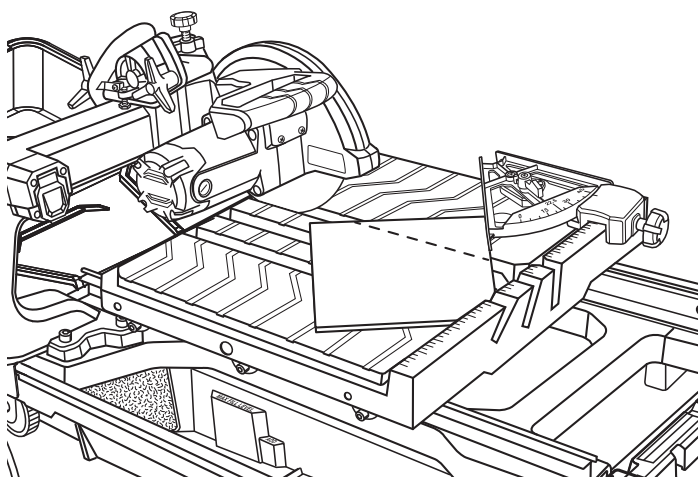


Fig. 24

CORTE EN L

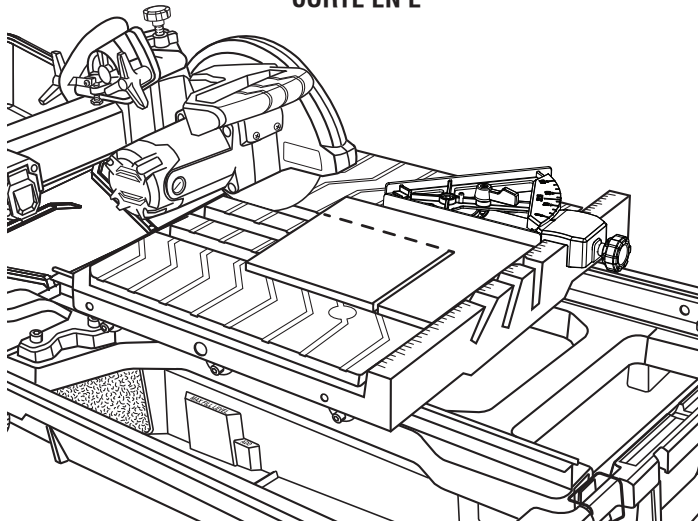


Fig. 25

FUNCIONAMIENTO

PARA EFECTUAR CORTES EN BISEL

Vea la figura 26.

Los cortes con bisel se realizan haciendo avanzar el material hacia el disco de corte con el cabezal del motor en ángulo. Le recomendamos que solo realice cortes con ángulos de 0°, 22,5° y 45°.

⚠ ADVERTENCIA:

Si realiza cortes con ángulos que no sean 0°, 22,5° o 45° la rueda de corte podría entrar en contacto con la mesa deslizante y eso ocasionaría daños en la unidad y/o posibles lesiones personales graves.

- Con ayuda de una escuadra, dibuje una línea sobre la losa con un marcador o un lápiz de cera.
- Deslice la mesa de la sierra hacia la delantera of the bandeja de agua antes inclinación la cabeza de la sierra.
- Afloje la perilla de fijación de bisel.
- Configure el brazo de la sierra en un ángulo de 22,5° o 45° y ajuste la perilla del bisel.
- Coloque la guía de ingletes de la mesa en la distancia deseada de la muela y cerradura en el lugar.
- Asegúrese de que la guía de ingletes no esté en la trayectoria de corte.
- Coloque la materia sobre la mesa y firmemente contra la guía de ingletes y guía.
- Asegúrese de que la material está lejos de la muela para cortar losas antes de encender la sierra.
- Coloque el interruptor de encendido/apagado en la posición de encendido.
- Deje que la muela para cortar adquiera velocidad y espera para la rueda para mojar antes de mover la mesa de inglete para alimentar la pieza de trabajo a la muela.
- Sostenga firmemente la material contra la guía de ingletes y guía, y aváncela hacia la muela para cortar.
- Cuando termine el segundo corte, apague la sierra. Espere a que la muela se detenga por completo antes de retirar cualquier parte de la material.

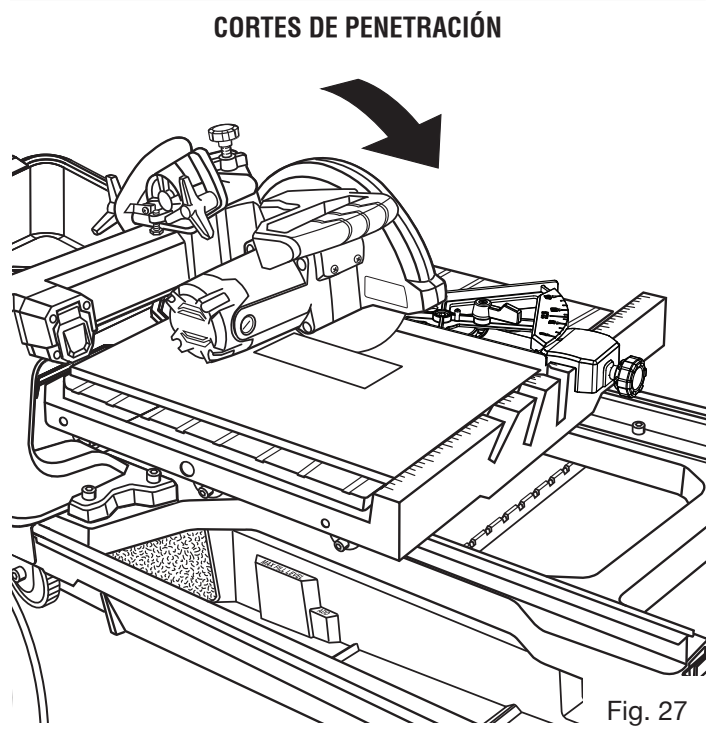
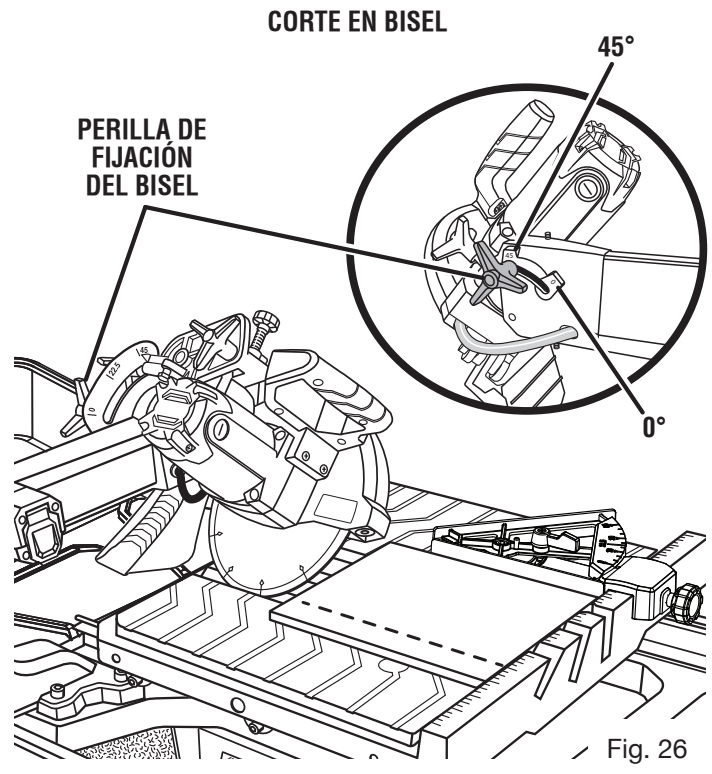
CÓMO REALIZAR UN CORTE DE PENETRACIÓN

Vea la figura 27.

Los cortes de penetración se realizan ubicando el material directamente debajo de la rueda de corte y bajando la rueda hasta la pieza de trabajo. Esto permite que las piezas se corten desde el centro del material.

- Utilizar un lápiz de marcador o grasa, marca el área para ser cortada en la material.
- Afloje la perilla de ajuste ubicada en la parte lateral del cabezal del motor y tire el cabezal del motor hacia arriba hasta que alcance su altura máxima.
- Coloque la guía de ingletes de la mesa en la distancia deseada de la muela y cerradura en el lugar.

- Coloque el interruptor de encendido/apagado en la posición de apagado.
- Deje que la muela para cortar adquiera velocidad y espera para la rueda para mojar antes de mover la mesa de inglete para alimentar la pieza de trabajo a la muela.
- Sostenga firmemente el cabezal del motor por el mango.
- Mueva la material en la posición deseada para cortar.



FUNCIONAMIENTO

- Lentamente baje el cabezal del motor hacia el material para realizar el corte.
- Levante el cabezal del motor.
- Coloque el interruptor de encendido/apagado en la posición de apagado.
- Retire la mesa del cabezal del motor y sitúe el material de trabajo para realizar el próximo corte.

CORTAR ADOQUINES DE JARDÍN

Vea las figuras 28 a 31.

Los adoquines de jardín requieren cortes especiales para realizar curvas y esquinas en paredes, patios y otras obras de paisajismo.

Para acortar el adoquín:

- Mida el adoquín para determinar cuánto material es necesario quitar.
- Use un marcador o un lápiz de cera para realizar dos marcas; marque todo el contorno del adoquín.
- Coloque la materia sobre la mesa y firmemente contra la guía de ingletes y guía.

NOTA: Puede ser necesario quitar la protección lateral contra salpicaduras para tener espacio suficiente para cortar el adoquín.

- Asegúrese de que la material está lejos de la muela para cortar losas antes de encender la sierra.
- Coloque el interruptor de encendido/apagado en la posición de encendido.

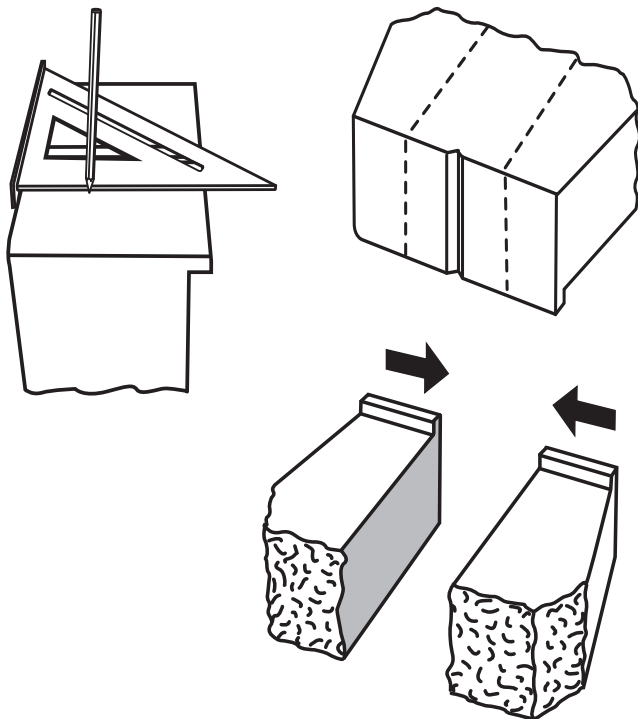


Fig. 28

- Deje que la muela para cortar adquiera velocidad y espere para la rueda para mojar antes de mover la mesa de inglete para alimentar la pieza de trabajo a la muela.
- Sostenga firmemente la material contra la guía de ingletes y guía, y aváncela hacia la muela para cortar.
- Apague la sierra cuando termine el corte. Espere a que la muela se detenga por completo antes de retirar cualquier parte de la material.
- Mueva la mesa deslizante lejos del motor de cabeza y gire el adoquín para terminar el corte.

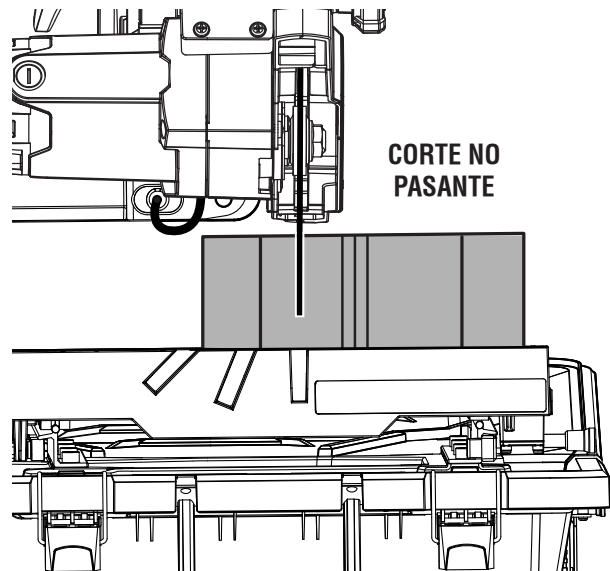


Fig. 29

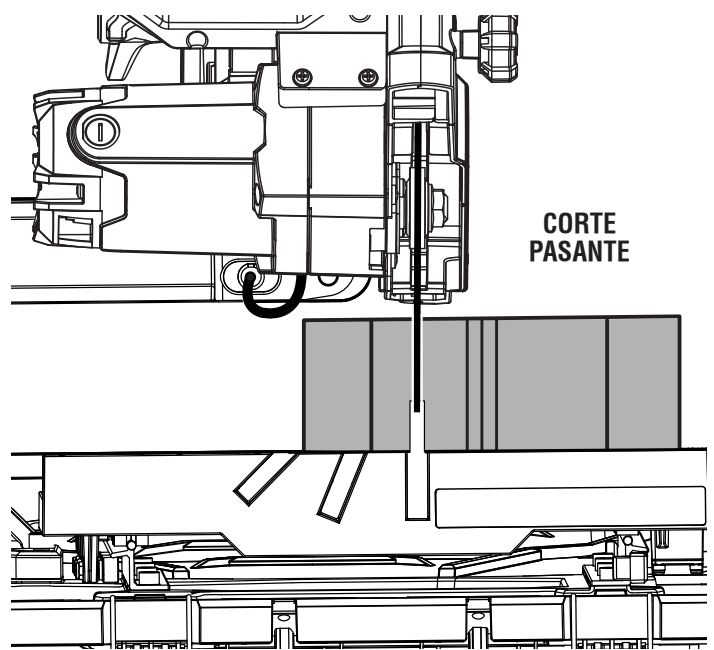


Fig. 30

FUNCIONAMIENTO

Cortar adoquines para esquinas:

- Mida el adoquín y la obra de paisajismo para determinar cuánto material es necesario quitar y qué ángulo se necesita para la esquina.
- Con un lápiz de cerca y una escuadra, dibuje una marca desde el centro del adoquín hacia la esquina; marque todo el contorno del adoquín.
- Coloque la materia sobre la mesa y firmemente contra la guía de ingletes y guía.
- Asegúrese de que la material está lejos de la muela para cortar losas antes de encender la sierra.
- Coloque el interruptor de encendido/apagado en la posición de encendido.
- Deje que la muela para cortar adquiera velocidad y espera para la rueda para mojar antes de mover la mesa de inglete para alimentar la pieza de trabajo a la muela.
- Sustenga firmemente la material contra la guía de ingletes y guía, y aváncela hacia la muela para cortar.
- Cuando termine el corte, apague la sierra; para ello, ponga el botón en la posición apagado. Espere a que la muela se detenga por completo antes de retirar cualquier parte de la material.
- Mueva la mesa deslizable lejos del motor de cabeza y gire el adoquín para terminar el corte.
- Si piensa apilar adoquines, corte el reborde del adoquín, voltéelo y colóquelo.

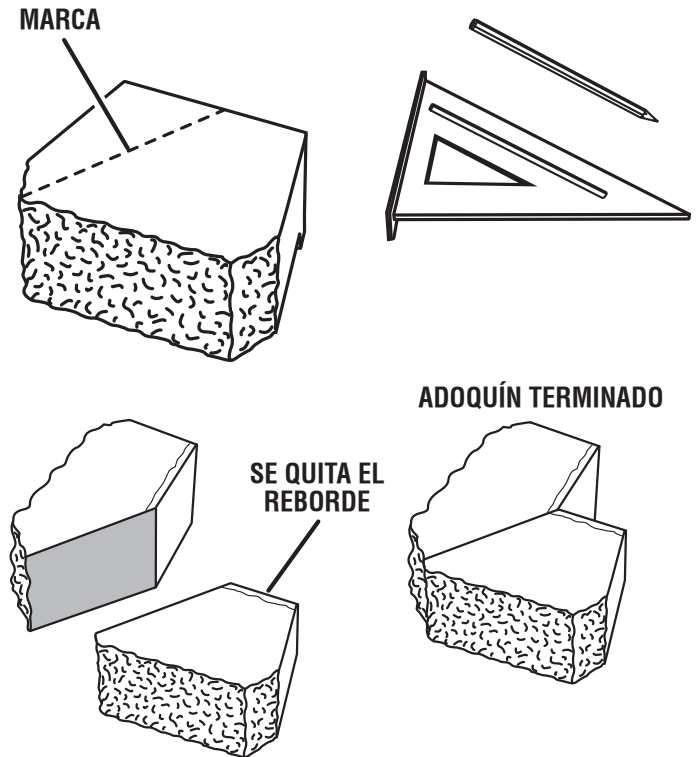


Fig. 31

AJUSTES

⚠ ADVERTENCIA:

Antes de efectuar cualquier ajuste, asegúrese de que la herramienta esté desconectada del suministro de corriente y de que el interruptor esté en la posición de apagado. La falta de atención a esta advertencia podría causar lesiones corporales graves.

La sierra ha sido ajustada en la fábrica para producir cortes muy exactos. No obstante, algunos de los componentes podrían haberse desalineado durante el transporte. También, al paso del tiempo, probablemente será necesario un reajuste debido al desgaste.

No inicie ningún ajuste sin haber revisado con una escuadra y haber efectuado cortes de prueba para asegurarse de que son necesarios los ajustes.

PARA ESCUADRA LA MUELA PARA CORTAR CON LA RANURA DE LA MESA

Vea las figuras 32 a 34.

No afloje ningún tornillo para este ajuste hasta que haya revisado con una escuadra y haya efectuado cortes de prueba para asegurarse de que son necesarios los ajustes. Una vez que se aflojan las tuercas, se las debe volver a ajustar.

- Desconecte la sierra.
- Utilizar llave hexagonal, afloja el perilla de la tapa en el riel izquierdo.
- Coloque una escuadra de carpintero contra la guía de ingletes y parte plana de la muela.
- Realice los ajustes necesarios y ajuste los pernos firmemente.
- Mueva la mesa deslizante por toda la carrera para verificar la perpendicularidad. Haga nuevos ajustes si es necesario.
- Verifique la distancia de los rieles en las partes delantera y trasera. La distancia entre los rieles internos debe ser de unos 315,75 mm.
- Inspeccione visualmente que la sierra esté centrada en la ranura de 0°.
- Luego de haber hecho todos los ajustes necesario a los rieles, ajuste los pernos hexagonales firmemente.

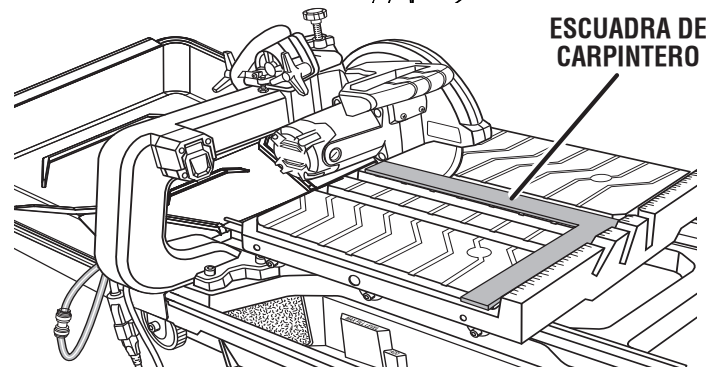
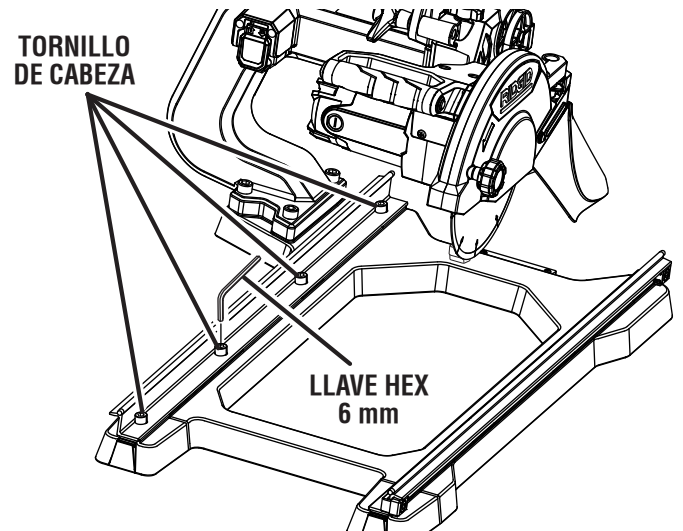


Fig. 32

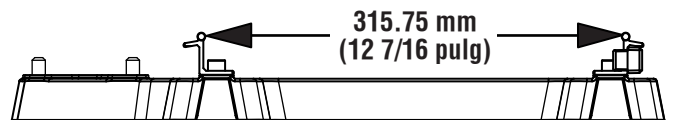


Fig. 33

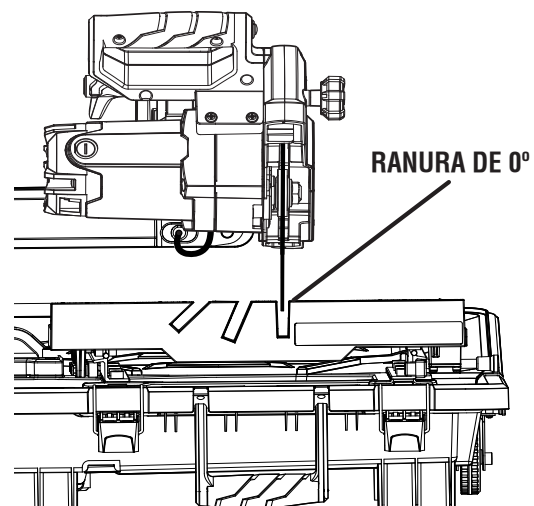


Fig. 34

AJUSTES

REALIZAR AJUSTES SOBRE LA MESA DESLIZABLE

Veá las figuras 35 a 38.

Si la mesa deslizable no se desplaza fácilmente por los rieles o se mueve de lado a lado, es necesario realizar ajustes. Las ruedas de la mesa deslizable deben tocar los rieles suavemente y rodar sin problema a lo largo de toda la carrera.

Para ajustar el rodillo de leva central superior:

Los rodillos superiores izquierdos están sobre la pista. Hay una ranura a lo largo del centro de cada rodillo. Si los rodillos superiores no están paralelos o nivelados, realice los siguientes ajustes:

- Inspeccione visualmente la correcta alineación de los rodillos de la mesa deslizable a lo largo de toda la carrera.
- Para hacer ajustes, quite la mesa deslizable de los rieles.

NOTA: Únicamente se puede ajustar el rodillo de leva central superior.

- Use una llave de 6 mm para sostener la tuerca del perno de la leva. Use la llave hexagonal de 10 mm para aflojar los pernos de las levas.
- Utilice una llave hexagonal de 2,5 mm para aflojar el tornillo de ajuste.
- Use la escuadra de carpintero u otro ángulo recto para controlar la altura de la muela. Coloque la escuadra de carpintero en la ranura de las muelas.
- Gire manualmente el rodillo de leva central superior para realizar ajustes de altura.
- Use una escuadra para verificar que los rodillos de leva también estén paralelos.

VERIFICAR LA ALINEACIÓN

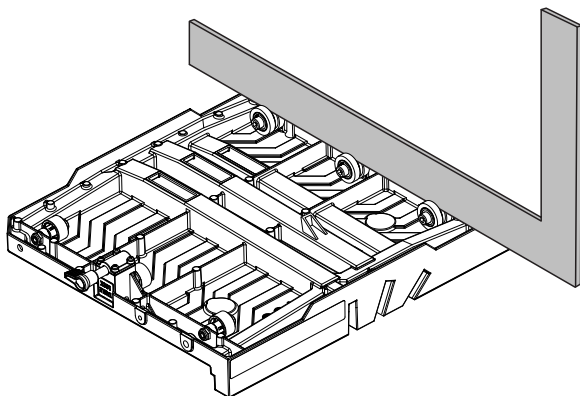


Fig. 35

- Ajuste el tornillo de ajuste para mantener los cambios.
 - Vuelva a instalar la mesa deslizable y verifique que los rodillos toquen el riel y estén paralelos.
- NOTA:** Luego de cada ajuste, verifique que los rodillos se deslicen correctamente.
- Cuando haya terminado los ajustes del rodillo de leva superior, vuelva a colocar el rodillo de leva central inferior.

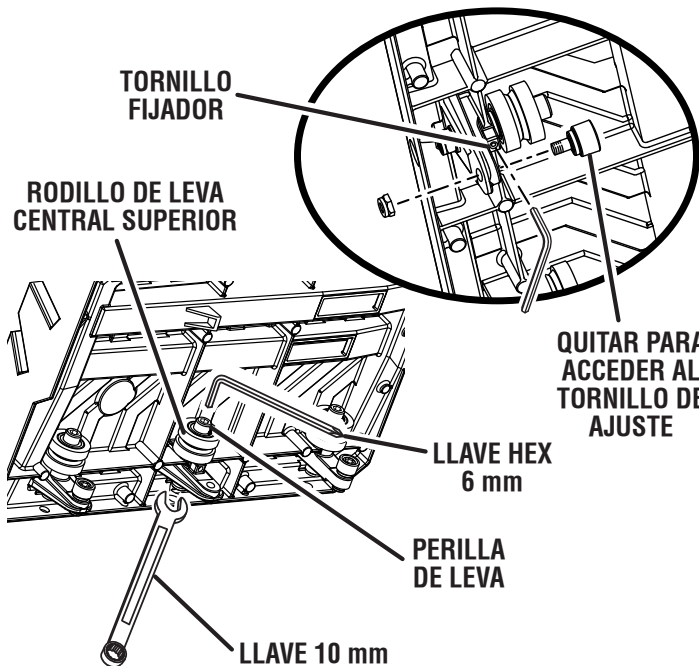
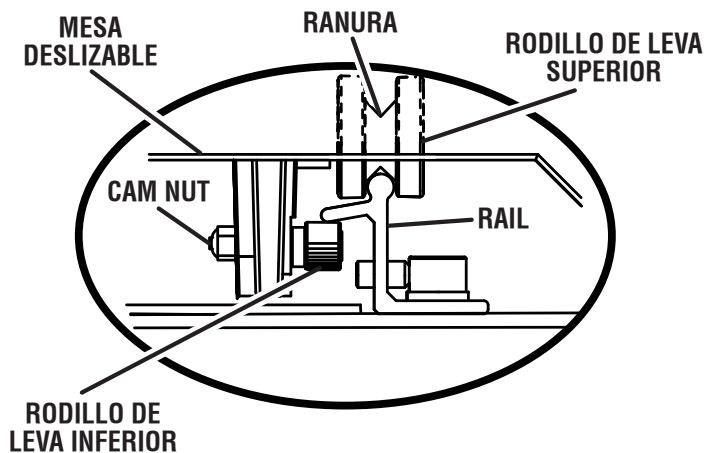


Fig. 36

AJUSTES

Ajuste los rodillos de mesa inferior:

- Use una llave de 6 mm para sostener la tuerca del perno de la leva. Use la llave hexagonal de 10 mm para aflojar los pernos de las levas.
- Gire el rodillo de leva para realizar ajustes de altura.
- Una vez que los rodillos toquen el riel, ajuste firmemente la tuerca del perno de la leva. Repita el procedimiento para cada rodillo si es necesario.

NOTA: luego de cada ajuste, verifique que los rodillos se muevan correctamente.

Para ajustar los rodillos de leva del lado derecho:

Únicamente los rodillos posterior y delantero pueden ajustarse del lado derecho.

- Use una llave de 6 mm para sostener la tuerca del perno de la leva. Use la llave hexagonal de 10 mm para aflojar los pernos de las levas.
- Gire el rodillo de leva para realizar ajustes de altura.
- Una vez que los rodillos toquen el riel, ajuste firmemente la tuerca del perno de la leva. Repita el procedimiento para cada rodillo si es necesario.

NOTA: Luego de cada ajuste, verifique que los rodillos se deslicen correctamente.

AJUSTES DEL TOPE DE PROFUNDIDAD

Vea la figura 39.

El tope de profundidad limita el desplazamiento hacia abajo de la hoja. Permite que la hoja sobrepase la mesa lo suficiente para mantener completa la capacidad de corte. El tope de profundidad se ajusta en la fábrica para ofrecer una capacidad de corte máxima con la muela proporcionada con la sierra. Efectúe los ajustes necesarios.

- Desconecte la sierra.
- Para ajustar el tope de profundidad, afloje la tuerca de mariposa situada en el tope de profundidad.

AJUSTE DEL RODILLO DE LEVA INFERIOR

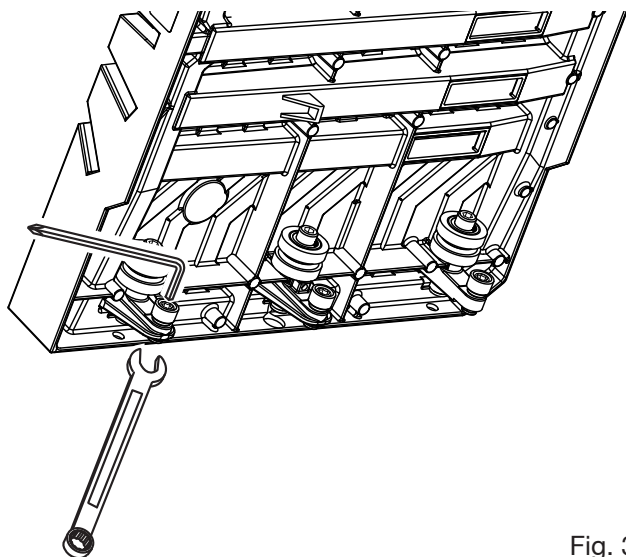


Fig. 37

- Gire el tope de profundidad. Ponga la rueda a la altura de corte correcta (rueda justo debajo de la superficie de mesa). Baje la muela para cortar en la mesa en verifique espacio libre de muela.
- Efectúe un reajuste si es necesario.
- Apriete la tuerca de mariposa.

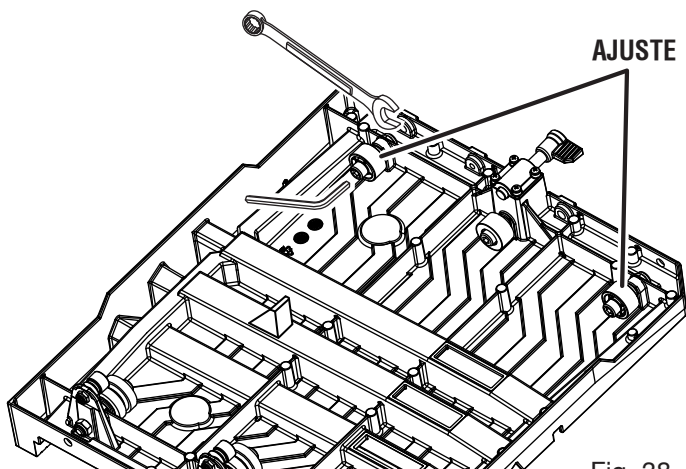
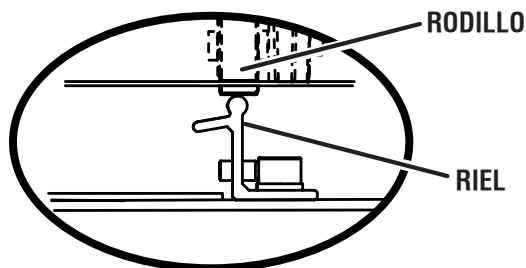


Fig. 38

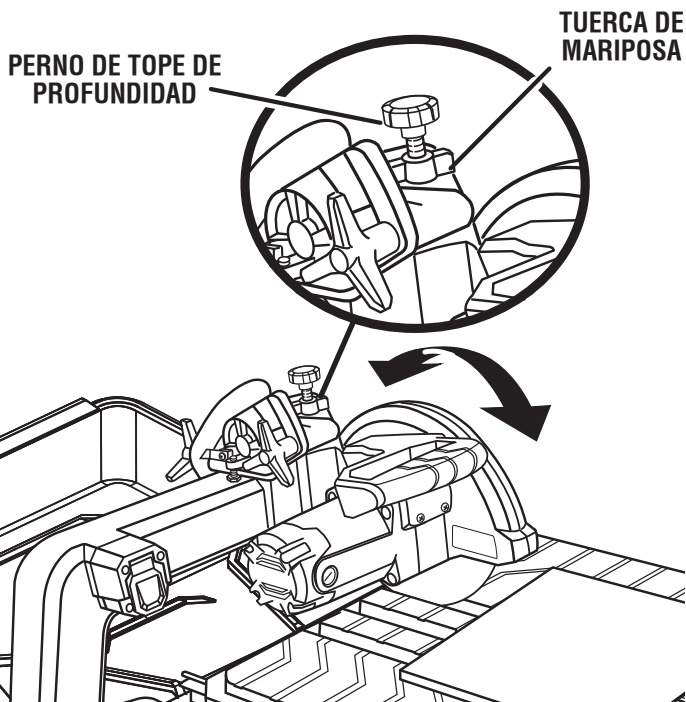


Fig. 39

AJUSTES

AJUSTES DE LOS TOPES

Vea la figura 40.

NOTA: Estos ajustes se realizaron en la fábrica y normalmente no requieren reajustarse.

- Desconecte la sierra.

Si la muela no está perfectamente vertical (0°):

- Afloje la perilla de fijación del bisel.
- Levante el motor de cabeza.
- Coloque una escuadra de carpintero junto a la muela.
- Utilizar llave hexagonal, gire el tornillo fijador de 0° hasta que el disco esté a escuadra con la mesa y el tornillo fijador descansa sobre el alojamiento de la sierra.
- Ajustar la perilla de fijación del bisel.

Si la muela no está perfectamente a 45°:

- Ajuste el bisel a 45°.
- Coloque una escuadra combinada contra la muela y ajuste el motor de cabeza a 45°.
- Utilizar llave, gire el perno hexagonal de 45° hasta que este descansa sobre el alojamiento de la sierra.

ALINEACIÓN DE LA LÍNEA DE LA GUÍA LÁSER

Vea la figura 41.

PELIGRO:

Radiación láser. Evite todo contacto directo de los ojos con la fuente de luz.

ADVERTENCIA:

Todo control, ajuste o procedimiento diferente de los especificados aquí, puede causar una exposición peligrosa a la radiación.

- Use la prensa de trabajo o una prensa en C para sujetar una pieza de losa de desecho.
- Dibuje una línea sobre la losa.
- Enchufe la sierra a la fuente de alimentación y realice un pequeño corte para marcar la losa.
- Suelte el gatillo del interruptor y espere que la hoja deje de girar antes de levantar la muela.
- Aleje la mesa deslizante de la muela de corte. Baje el motor de cabeza y bloquéelo.
- Encienda el láser.
- Para ajustar la línea del láser, abra la protección de la muela de corte, afloje el tornillo Phillips, ajuste el módulo del láser según sea necesario y vuelva a ajustar el tornillo firmemente.
- Una vez que el láser esté alineado, cierre la protección de la muela y bloquéela.

NOTA: Siempre realice cortes de práctica sobre piezas de material de desecho antes de cortar la pieza de trabajo.

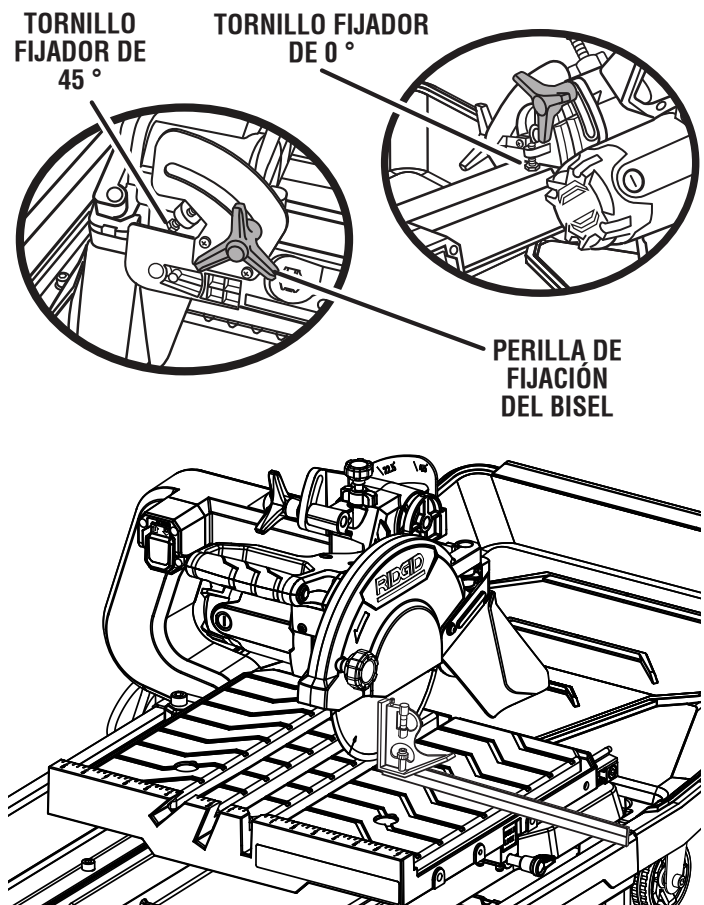


Fig. 40

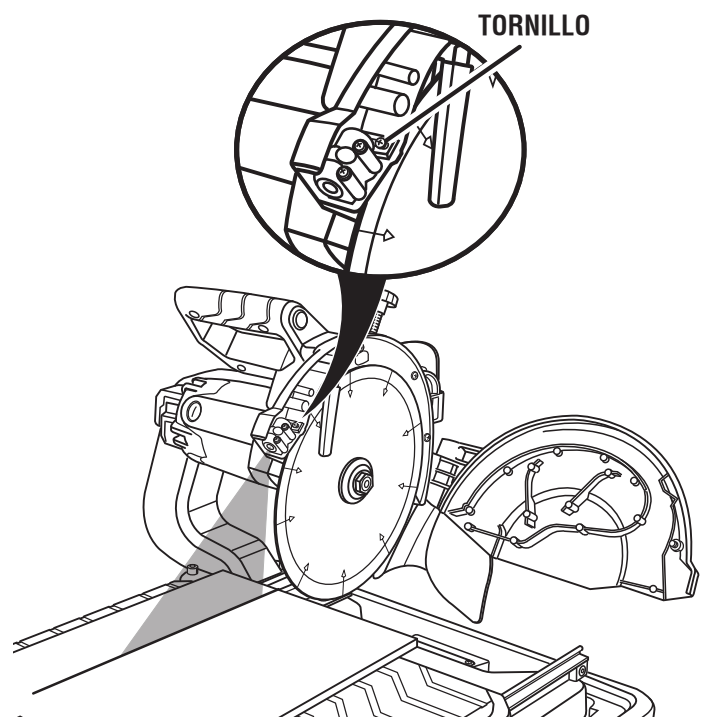


Fig. 41

MANTENIMIENTO

⚠️ ADVERTENCIA:

Al dar servicio a la unidad, sólo utilice piezas de repuesto RIDGID idénticas. El empleo de piezas diferentes puede causar un peligro o dañar el producto.

⚠️ ADVERTENCIA:

Cuando utilice este producto, siempre póngase protección ocular con la marca de cumplimiento de la norma ANSI Z87.1. Si la operación genera mucho polvo, también póngase una mascarilla contra el polvo.

MANTENIMIENTO GENERAL

Evite el empleo de solventes al limpiar piezas de plástico. La mayoría de los plásticos son susceptibles a diferentes tipos de solventes comerciales y pueden resultar dañados. Utilice paños limpios para eliminar la suciedad, el polvo, el aceite, la grasa, etc.

⚠️ ADVERTENCIA:

No permita en ningún momento que fluidos para frenos, gasolina, productos a base de petróleo, aceites penetrantes, etc., lleguen a tocar las piezas de plástico. Las sustancias químicas pueden dañar, debilitar o destruir el plástico, lo cual a su vez puede producir lesiones corporales serias.

LUBRICACIÓN

Todos los cojinetes de esta herramienta están lubricados con suficiente cantidad de aceite de alta calidad para toda la vida útil de la unidad en condiciones normales de funcionamiento. Después de períodos prolongados, limpie la mesa se desliza lisamente.

REEMPLAZO DE LAS ESCOBILLAS

Veá la figura 42.

La sierra dispone de conjuntos de escobillas accesibles externamente, cuyo desgaste debe revisarse periódicamente.

Proceda como sigue cuando se requiera un reemplazo:

- Desconecte la sierra.
- Retire la tapa de la escobilla con un destornillador. El conjunto de cada escobilla tiene un resorte y salta al retirarse la tapa de la escobilla.
- Retire el conjunto de la escobilla.
- Efectúe una inspección para ver si hay desgaste. Reemplace ambas escobillas cuando una u otra tenga menos de 6 mm (1/4 pulg.) de carbón restante. **No** reemplace un solo lado sin reemplazar el otro.
- Vuelva a armar la unidad empleando conjuntos de escobillas nuevos. Asegúrese de que la curvatura de la escobillas corresponda a la del motor y de que las escobillas se muevan libremente en los tubos de las mismas.
- Asegúrese de que la tapa de la escobilla esté orientada correctamente (en línea recta) y colóquela.
- Apriete firmemente la tapa de la escobilla. **No** efectúe un apriete excesivo.

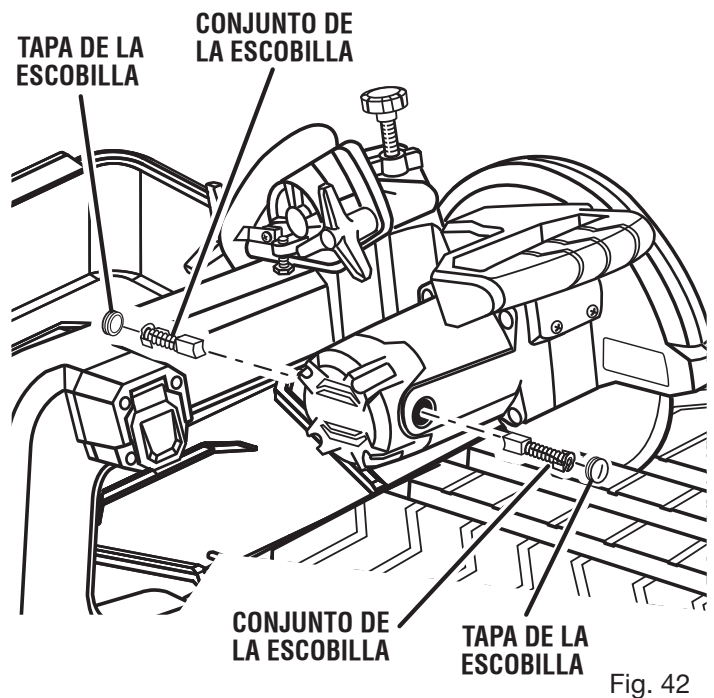


Fig. 42

MANTENIMIENTO

LIMPIEZA EL RIEL

Al usarse, el riel llegará a ser prevenir sucia los rodillos de mesa de deslizar lisamente. Es importante limpiar el riel a menudo.

LIMPIEZA EL SIERRA

- Desconecte la sierra y la bomba de agua.
- Una vez que la tabla ha sido removida, enjuague los rieles y la bandeja de agua y el marco de la bandeja de agua.
- Deje correr agua limpia a través de la sierra el lavado de residuos a través del tubo y alrededor de la rueda de corte.
- Desmontar la tabla de desplazamiento.
- Una vez que la tabla ha sido removida, enjuague los rieles y la bandeja de agua y el marco de la bandeja de agua.
- Vuelva a colocar el tapón de desagüe. Apriete firmemente.
- Vacíe el agua sucia de la bandeja de agua y seque la herramienta.

LIMPIEZA DE LA BOMBA

- Desconecte la bomba antes de manipular o limpiar la bomba.
- Retire la tapa delantera.
- Con un cepillo pequeño y/o agua, limpie cualquier residuo o basura que esté atrapado en el interior de la bomba.

NOTA: Para mantener la eficiencia y extender la duración de la bomba, verifique el cedazo de la entrada antes del uso para asegurarse de que esté limpio.

- Enjuáguelo filtro con agua limpia.

Si la bomba no funciona, intente las siguientes soluciones:

- Asegúrese de que el cedazo de la entrada no esté obstruido.
- Asegúrese de que la manguera de agua no esté tapada ni tenga nudos.
- Asegúrese de que la unidad esté conectada a una toma de corriente que esté funcionando y la bomba es tapada en el tapón eléctrico.
- Asegúrese de que haya suficiente agua en la bandeja de agua y bomba de agua se ajusta a "Max".

NOTA: No manipule la bomba mientras está conectada a un suministro de corriente.

GARANTÍA

HERRAMIENTAS ELÉCTRICAS DE MANO Y ESTACIONARIAS RIDGID® GARANTÍA DE SERVICIO LIMITADA DE TRES AÑOS

Debe presentarse prueba de la compra al solicitar servicio al amparo de la garantía.

Se limita a las herramientas de mano y estacionarias RIDGID® adquiridas a partir del 1 de febrero de 2004. Este producto está manufacturado por One World Technologies, Inc. La licencia de uso de la marca comercial es otorgada por RIDGID®, Inc. Toda comunicación en relación con la garantía debe dirigirse a One World Technologies, Inc., a la atención de: Servicio Técnico de Herramientas Eléctricas de Mano y Estacionarias RIDGID®, por el (línea gratuita) 1-866-539-1710.

POLÍTICA DE GARANTÍA DE SATISFACCIÓN DE 90 DÍAS

Durante los primeros 90 días a partir de la fecha de compra, si no está satisfecho con el desempeño de esta herramienta de mano o estacionaria RIDGID® por cualquier razón, puede devolverla al establecimiento donde la adquirió, donde se le proporcionará un reembolso total o un intercambio. Para recibir una herramienta de reemplazo, debe presentar documentación de prueba de la compra, y devolver el equipo original empaquetado con el producto original. La herramienta de reemplazo queda cubierta por la garantía limitada por el resto del período de garantía de servicio de 3 AÑOS.

LO QUE ESTÁ CUBIERTO EN LA GARANTÍA DE SERVICIO LIMITADA DE TRES AÑOS GARANTÍA DE SERVICIO LIMITADA

Esta garantía de las herramientas de mano y estacionarias RIDGID® cubre todos los defectos en materiales y mano de obra, así como piezas desgastables como escobillas, portabrocas, motores, interruptores, cordones eléctricos, engranajes e incluso las pilas inalámbricas de esta herramienta RIDGID® por tres años a partir de la fecha de compra de la herramienta. Las garantías de otros productos RIDGID® pueden ser diferentes.

FORMA DE OBTENER SERVICIO

Para obtener servicio para esta herramienta RIDGID®, debe devolverla, ya sea con el flete pagado por anticipado, o llevarla a un centro de servicio autorizado para herramientas eléctricas de mano y estacionarias de la marca RIDGID®. Puede obtener información sobre la ubicación del centro de servicio autorizado más cercano llamando al 1-866-539-1710 (línea gratuita) o dirigiéndose al sitio Web de RIDGID®, en www.ridgid.com. Al solicitar servicio al amparo de la garantía,

debe presentar el recibo de venta fechado original. El centro de servicio autorizado reparará toda mano de obra deficiente del producto, y reparará o reemplazará cualquier pieza amparada por la garantía, a nuestra exclusiva discreción, sin ningún costo para el consumidor.

LO QUE NO ESTÁ CUBIERTO

Esta garantía se ofrece exclusivamente al comprador original de venta minorista y es intransferible. Esta garantía sólo cubre los defectos que surjan durante el uso normal de la herramienta y no cubre ningún malfuncionamiento, falla o defecto producido por el mal trato, abuso, negligencia, alteración, modificación o reparación efectuada por terceros diferentes de los centros de servicio autorizados de herramientas eléctricas de mano y estacionarias RIDGID®. Los accesorios de consumo suministrados con la herramienta, p. ej., hojas, brocas, papel de lija, etc., no están cubiertos.

RIDGID®, INC. Y ONE WORLD TECHNOLOGIES, INC. NO OFRECEN NINGUNA GARANTÍA, DECLARACIÓN O PROMESA EN RELACIÓN CON LA CALIDAD O EL DESEMPEÑO DE SUS HERRAMIENTAS ELÉCTRICAS MÁS QUE LAS SEÑALADAS ESPECÍFICAMENTE EN ESTA GARANTÍA.

LIMITACIONES ADICIONALES

Hasta donde lo permiten las leyes pertinentes, se desconoce toda garantía implícita, incluidas las garantías de comerciabilidad o idoneidad para un uso en particular. Toda garantía implícita, incluidas las garantías de comerciabilidad o idoneidad para un uso en particular, que no pueda desconocerse según las leyes estatales, está limitada a tres años a partir de la fecha de compra. One World Technologies, Inc. y RIDGID®, Inc. no son responsables de daños directos, indirectos, incidentales o consecuentes. Algunos estados no permiten limitaciones en cuanto al período de vigencia de una garantía implícita o no permiten exclusiones o limitaciones de daños incidentales o consecuentes, por lo tanto es posible que esta limitación no se aplique en su caso. Esta garantía le confiere derechos legales específicos, y es posible que usted goce de otros derechos, los cuales pueden variar de un estado a otro.

One World Technologies, Inc.

P.O. Box 1427

Anderson, SC 29622

OPERATOR'S MANUAL

MANUEL D'UTILISATION

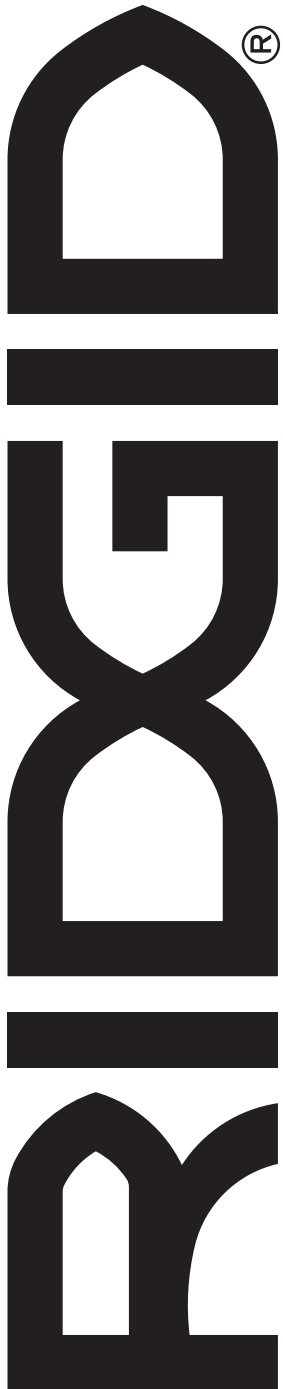
MANUAL DEL OPERADOR

8 in. TILE AND PAVER SAW WITH LASER

SCIE À CARREAUX ET PAVES SOUS EAU DE 203 mm (8 po) AVEC LASER

SIERRA PARA LOSAS Y PAVIMENTO DE 203 mm (8 pulg.) CON LÁSER

R4040/R40401



Customer Service Information:

For parts or service, do not return this product to the store. Contact your nearest RIDGID® authorized service center. Be sure to provide all relevant information when you call or visit. For the location of the authorized service center nearest you, please call 1-866-539-1710 or visit us online at www.RIDGID.com.

MODEL NO. _____ SERIAL NO. _____

Service après-vente :

Pour acheter des pièces ou pour un dépannage, ne pas retourner ce produit au magasin. Contacter le centre de réparations RIDGID® agréé le plus proche. Veiller à fournir toutes les informations pertinentes lors de tout appel téléphonique ou visite. Pour obtenir l'adresse du centre de réparations agréé le plus proche, téléphoner au 1-866-539-1710 ou visiter notre site www.RIDGID.com.

NO. DE MODÈLE _____ NO. DE SÉRIE _____

Información sobre servicio al consumidor:

Para piezas de repuesto o servicio, no devuelva este producto a la tienda. Comuníquese con el centro de servicio autorizado de productos RIDGID® de su preferencia. Asegúrese de proporcionar todos los datos pertinentes al llamar o al presentarse personalmente. Para obtener información sobre el centro de servicio autorizado más cercano a usted, le suplicamos llamar al 1-866-539-1710 o visitar nuestro sitio en la red mundial, en la dirección www.RIDGID.com.

NÚM. DE MODELO _____ NÚM. DE SERIE _____

ONE WORLD TECHNOLOGIES, INC.

P.O. Box 1427
Anderson, SC 29622, USA
1-866-539-1710 ■ www.RIDGID.com

RIDGID is a registered trademark of RIDGID, Inc., used under license.

990000174
12-7-18 (REV:07)