

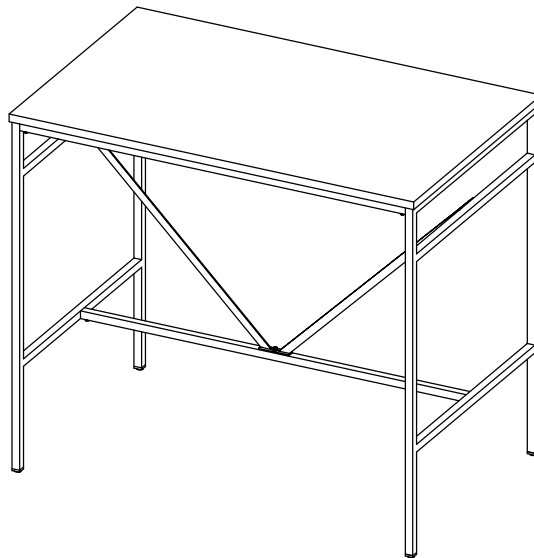


CAROLINA FORGE

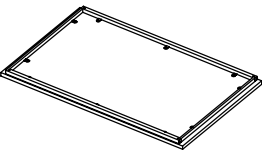

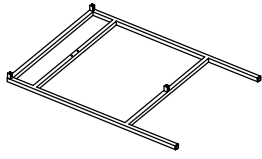

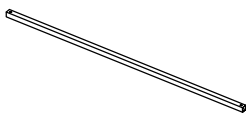

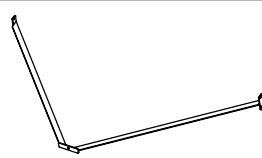

Assembly Instructions

Item # CF4226

Bar Table



Thank you for purchasing a Carolina Forge company product. This product has been designed for easy assembly and is constructed for durability. Please take the time to read and follow the assembly instructions carefully. If a part or hardware is missing or you have any difficulties in assembling this product, please contact us Toll Free 1-800-228-3876.

NO.	PART	DESCRIPTION	Q'TY	NO.	PARTS	DESCRIPTION	Q'TY
A		TOP	1PC	E		Allen Head Bolt 1/4" x 5/8"	11PCS
B		Leg	2PCS	F		Spring Washer Ø10	11PCS
C		Stretcher	1PC	G		Flat Washer Ø12*T1.0	11PCS
D		V Rail	1PC	H		Allen Head Wrench 4MM	1PC



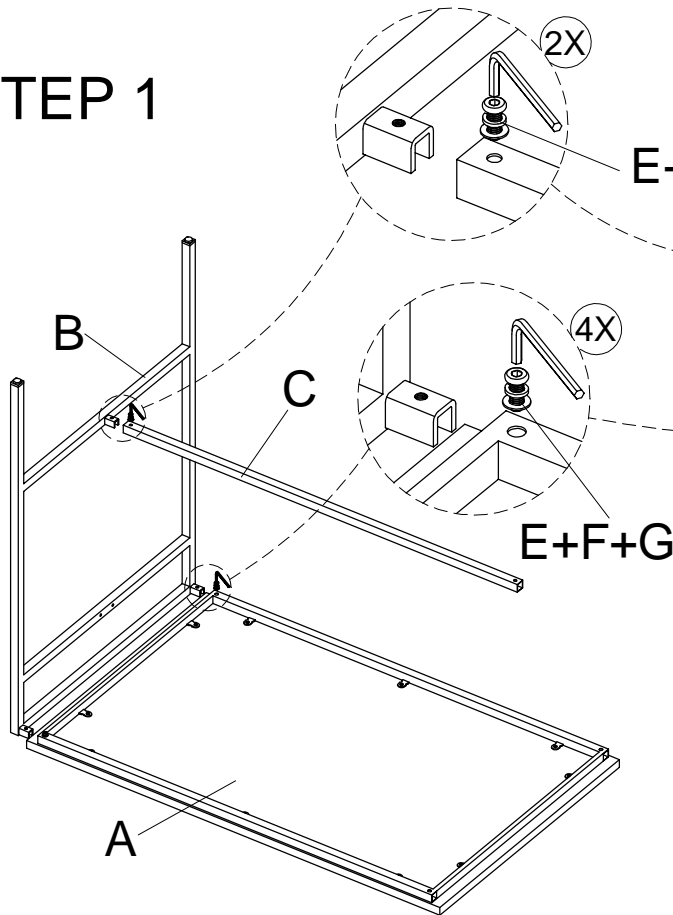
CAROLINA FORGE

Assembly Instructions

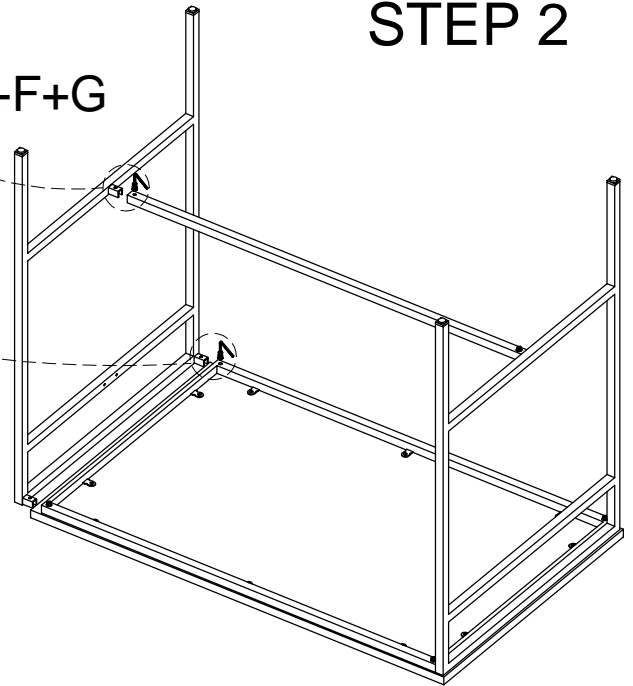
Item # CF4226

Bar Table

STEP 1



STEP 2



STEP 3

