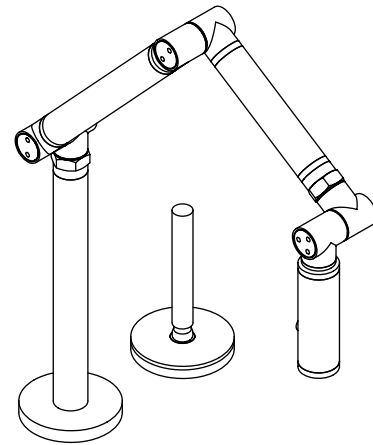


Features

- Metal and carbon fiber construction
- One-piece, self-contained ceramic disc valve allows both volume and temperature control
- Flexible connections for easy installation
- ADA compliant remote lever handle
- Integral sprayhead
- 2" (5.1 cm) diameter remote joystick valve
- Variable spout reach from less than 2" (5.1 cm) to over 13" (33 cm)
- For countertop-mount installation
- Lower flow aerator options available (refer to the Kohler Price Book)
- 2.2 gallons (8.3 L) per minute maximum flow rate

**ARTICULATING KITCHEN SINK FAUCET
K-6227**

ADA



Codes/Standards Applicable

Specified model meets or exceeds the following at date of manufacture:

- ADA
- ICC/ANSI A117.1
- ASME A112.18.1/CSA B125.1
- NSF 61
- Energy Policy Act of 1992
- All applicable US Federal and State material regulations

Colors/Finishes

- CP: Polished Chrome
- VS: Stainless Steel
- Other: Refer to Price Book for additional colors/finishes

Accessories

- NA: None applicable

Specified Model

Model	Description	Colors/Finishes
K-6227-C11	Articulating kitchen sink faucet with silver tube	<input type="checkbox"/> CP <input type="checkbox"/> VS
K-6227-C12	Articulating kitchen sink faucet with black tube	<input type="checkbox"/> CP <input type="checkbox"/> VS
K-6227-C13	Articulating kitchen sink faucet with gold tube	<input type="checkbox"/> Other ____
K-6227-C15	Articulating kitchen sink faucet with bronze tube	<input type="checkbox"/> Other ____

Optional Accessories		
1102407	Deep roughing-in kit	<input type="checkbox"/> NA
1151265	Low flow sprayhead adaptor kit – 1.5 gpm (5.7 lpm) maximum	<input type="checkbox"/> NA

Product Specification

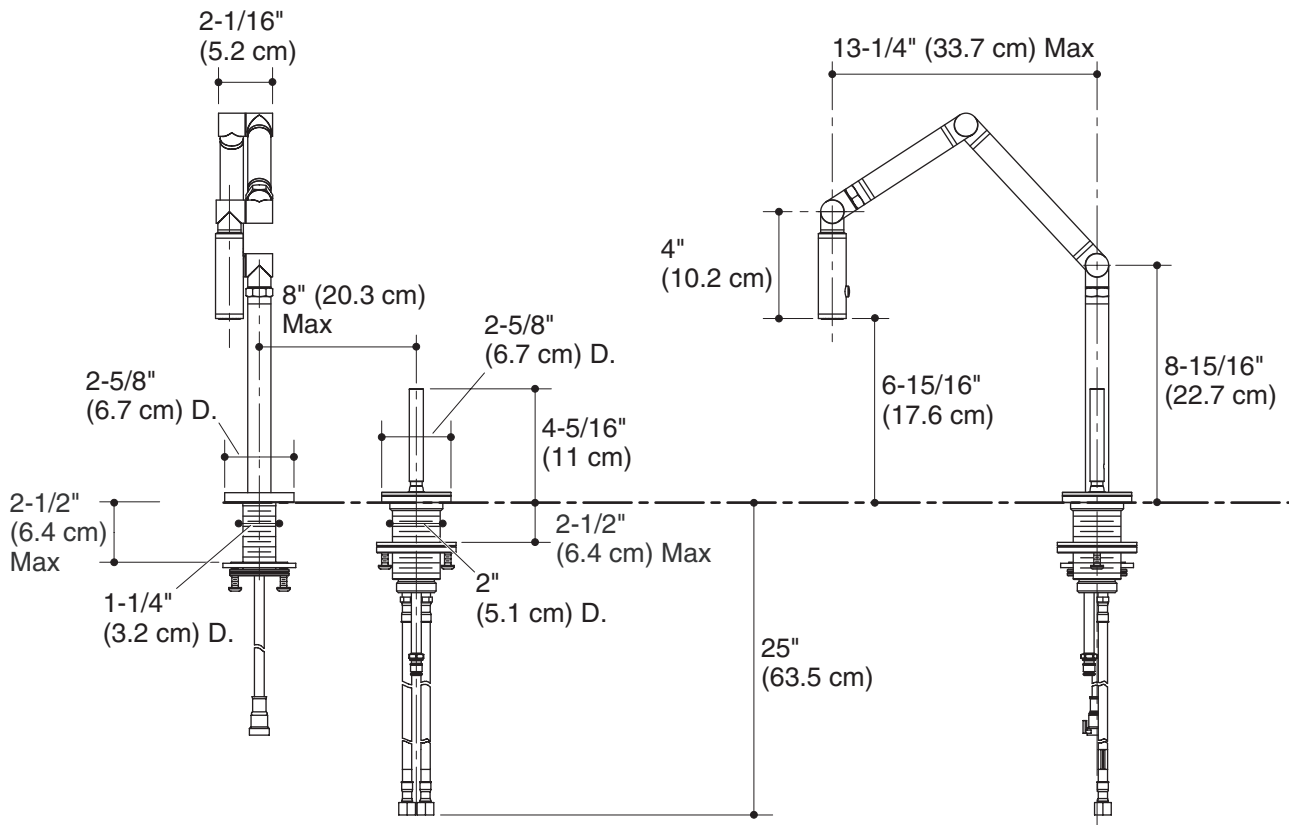
The articulating kitchen sink faucet shall be made of metal and carbon fiber construction. Product shall have a maximum flow rate of 2.2 gallons (8.3 L) per minute with lower flow aerator options available (refer to the Kohler Price Book). Product shall feature a one-piece, self-contained ceramic disc valve, which allows both volume and temperature control. Product shall feature an integral sprayhead and a 2" (5.1 cm) diameter remote joystick valve, and ADA compliant remote lever handle. Product shall feature a variable spout reach from less than 2" (5.1 cm) to over 13" (33 cm). Product shall feature flexible connections for easy installation. Product shall be for a countertop-mount installation. Faucet shall be Kohler Model K-6227-____-____.

KARBON®

Installation Notes

Install this product according to the installation guide.

NOTICE: Due to the non-standard 2" (5.1 cm) diameter of the remote valve, the remote valve **cannot** be mounted through a standard 1-3/8" (3.5 cm) faucet hole of a sink. Choose a sink without faucet holes, then mount the faucet and remote valve through the countertop. Refer to the countertop manufacturer's instructions for proper hole drilling.



Product Diagram