


For Residential and Commercial Applications

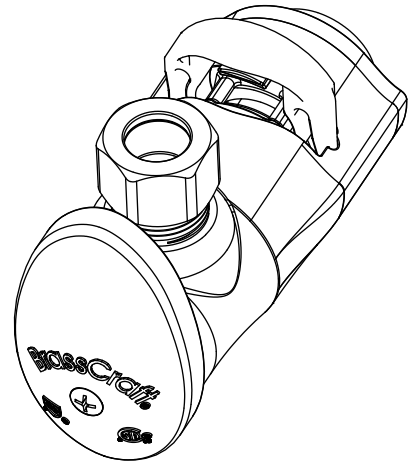
Job Name		Engineer / Architect	
Job Location		Wholesaler	
Submittal Date		Contractor	

G2A19 Sure2Connect™ 1/4 Turn Angle Stop - Push Connect x Compression with Verification Technology

Use: For use in potable water distribution systems. Not intended for recirculating systems that produce continuous use temperatures above 115° F. For those applications, use our KT™ series ball stop

Design Features:

- **Compatible with PEX, copper, and CPVC**
- **Multiple sealing technology.** Rubber seals provide chemical resistance
- **Pre-installed tube stiffener** “installation ready” for a faster connection
- **Verification clip** “clicks” into place to provide an audible confirmation of proper installation
- **Rotational resistance** provides ease of valve operation
- **One-piece shut-off mechanism** provides smooth on-off operation without freeze ups even after long periods of non-use
- **Positive 1/4 turn shut-off**
- **Easy-to-remove handle** protects against accidental operation during rough-ins
- **100% Leak tested**
-  **No Lead**



Operating Specifications:

Temperature: 40° - 140° F
Pressure: 125 PSI maximum

MATERIAL SPECIFICATIONS	
Body	Glass-filled nylon & brass
Stem Barrel	Santoprene
Stem Shaft	Glass-filled polypropylene
Stem O-ring	Rubber
Gripper Ring	Stainless steel
Push Connect Seals	Rubber
Tube Stiffener	POM
Verification Clip	Glass-filled nylon
Removal Flange	Glass-filled polypropylene
Handle	Chrome-plated ABS
Screw	Steel, zinc plated
Compression Nut	Brass, chrome plated
Compression Sleeve	Brass

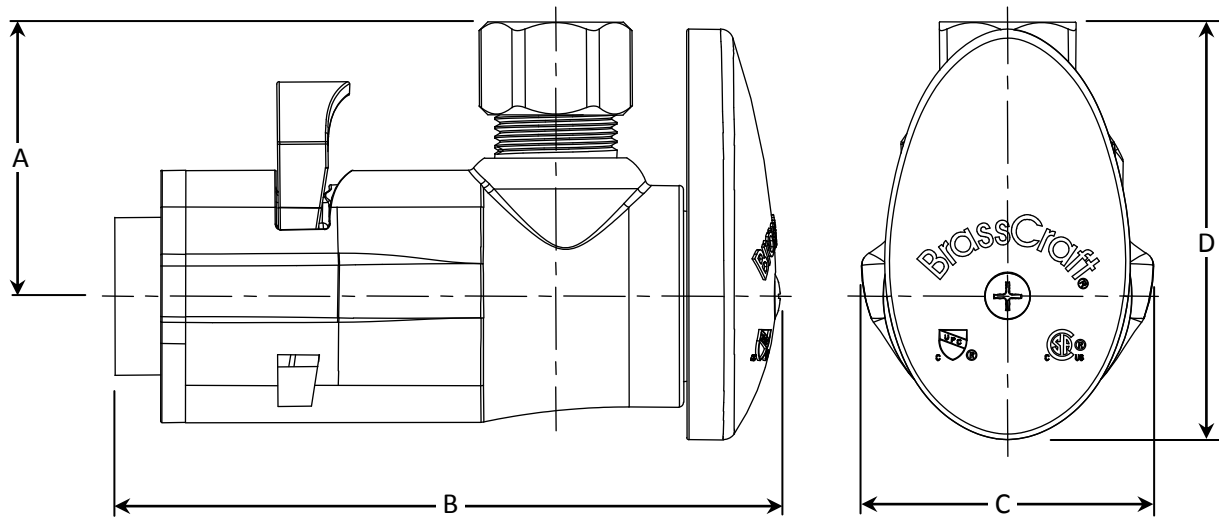
This specification and all information contained herein is the confidential and exclusive property of BrassCraft Manufacturing, and shall not be disclosed to others without the written consent of BrassCraft Mfg. This specification must be returned to BrassCraft Mfg. if requested.



G2A19 Sure2Connect™ 1/4 Turn Angle Stop - Push Connect x Compression with Verification Technology

Part Listing:

G2A19 C1 1/2" nom push connect x 3/8" OD compression, window tray



PART DIMENSIONS (Inches)				
Model	DIM. A	DIM. B	DIM. C	DIM. D
G2A19	1.24	3.05	1.34	1.89

Listings & Certifications:

- IAPMO listed to ASME A112.18.6 and CSA B125.6 (File # 0452)
- CSA listed to ASME A112.18.6 and CSA B125.6 (File #204593)
- No-lead product CSA listed to NSF 372 (Class 6853-01)



This specification and all information contained herein is the confidential and exclusive property of BrassCraft Manufacturing, and shall not be disclosed to others without the written consent of BrassCraft Mfg. This specification must be returned to BrassCraft Mfg. if requested.

BrassCraft®